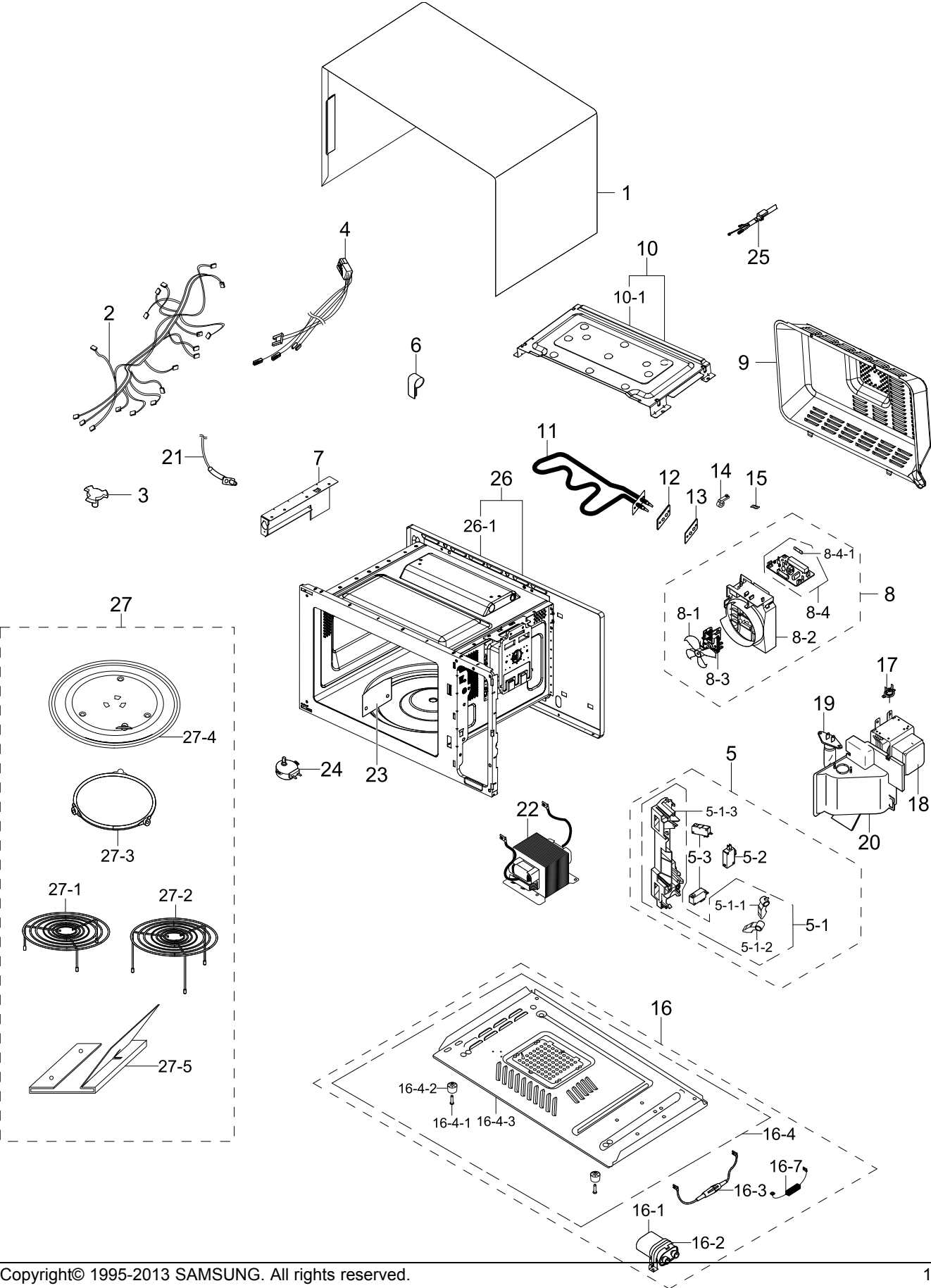


1. Main

Exploded View



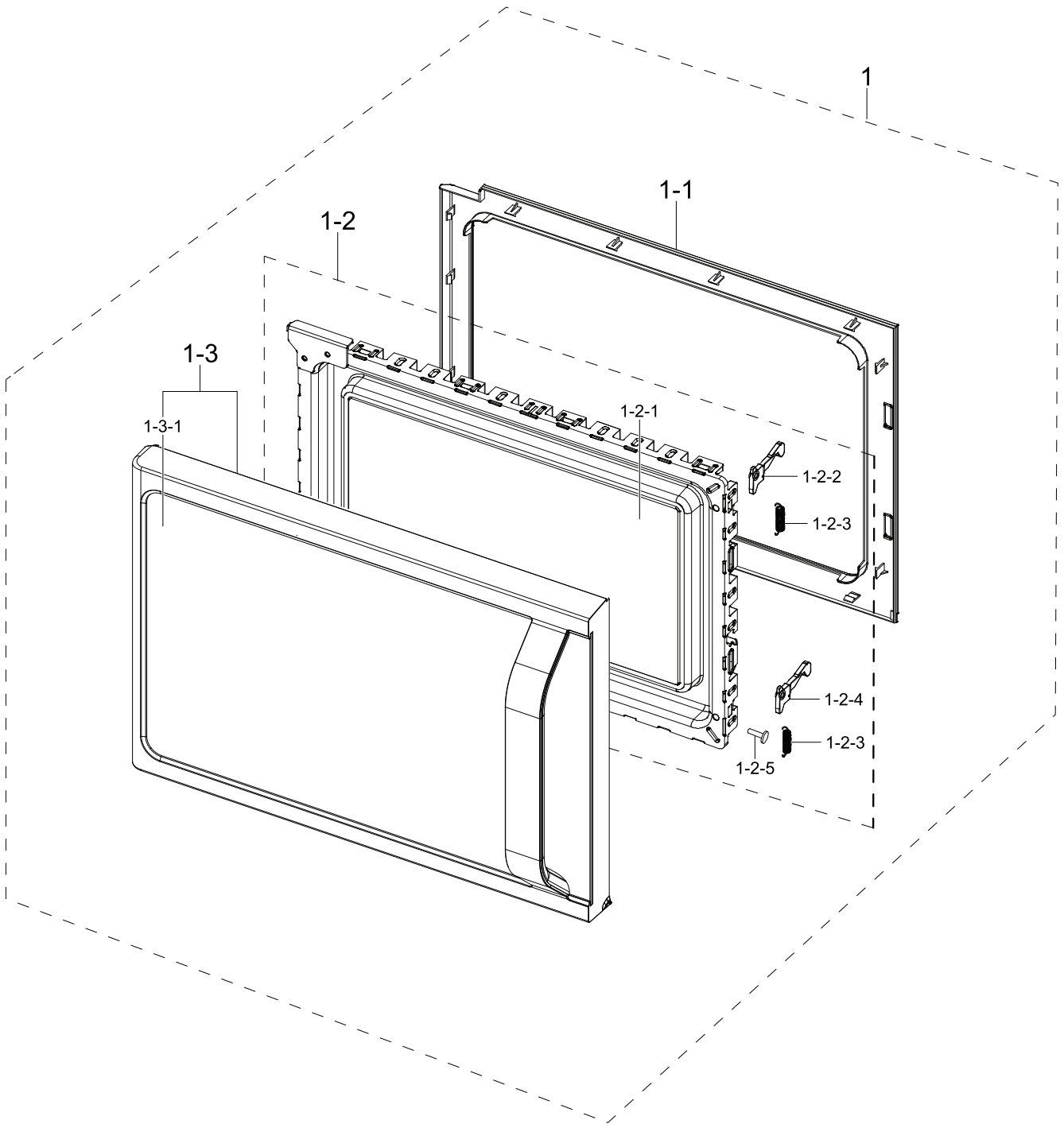
Parts List

No.	Lvl.	Loc.	Material Code	Description & Specification	SNA	Qty.
1	2	M001	DE64-01161X	PANEL OUTER; MC28H502MAW/BW,EGI-SECC,T0.5	SA	1
2	2	W002	DE96-00937A	ASSY WIRE HARNESS-A; 1.1 TRIO2,230V/50HZ,	SA	1
3	2	M034	DE67-60081A	COUPLER; 3RD-1.0/1.3,PPS,-,-,BROWN,-	SA	1
4	2	W038	DE96-00924A	ASSY WIRE HARNESS-B; CE104VD,230V/50HZ,1.	SA	1
5	2	B022	DE96-00120Q	ASSY BODY LATCH; PG117R(TBMO/SIDE),NYLON	SA	1
5-1	3	B024	DE96-00120T	ASSY BODY LATCH SUB; PG117R(TBMO/SIDE),NY	SA	1
5-1-1	4	B010	DE66-00093B	LEVER-SWITCH(A); PG113R,PA66,NTR,HANDLE	SA	1
5-1-2	4	B011	DE66-00094B	LEVER-SWITCH(B); PG113R,PA66,NTR,HANDLE	SA	1
5-1-3	4		DE72-00137D	LATCH BODY; MC1015WB/BB,PA66,NATURAL,KN33	SNA	1
5-2	3	B046	3405-001032	SWITCH-MICRO; 125/250VAC,16A,200GF,SPDT	SA	1
5-3	3	B048	3405-001034	SWITCH-MICRO; 125/250VAC,16A,200gf,SPST-N	SA	2
6	2	M483	DE65-20014A	CABLE CLAMP; NY-66,DA-6N	SNA	1
7	2		DE94-02817D	ASSY BRACKET A/GUIDE; MC28H5013AW/BW,EGI-	SA	1
8	2	M203	DE96-00455J	ASSY N/F-MOTOR FAN; CE1071AR,-,-,-	SA	1
8-1	3	H096	DE31-90051A	BLADE-FAN; -,PP,-,D130,-,T,-	SA	1
8-2	3	M022	DE61-10006A	COVER-BLOWER; PP,PP(TB53),3RD-W(1.3)	SNA	1
8-3	3	M023	DE31-10185A	MOTOR AC FAN; SMF-3RDEA1,2,230V,50Hz,20W,	SA	1
8-4	3	M017	DE96-00399A	ASSY NOISE FILTER; MW840,SN-UF11A,250V15A	SA	1
8-4-1	4	M019	3601-001197	FUSE-CARTRIDGE; 250V,15A,SLOW-BLOW,CERAMI	SA	1
9	2	P186	DE63-00617A	COVER-BACK; 1.0 VALUE CONVECTION,GI-SGCC,	SA	1
10	2	P214	DE94-03178A	ASSY BRACKET UPPER; MC28H5013AK/BW,EGI-SE	SNA	1
10-1	3	M003	DE61-01191A	BRACKET-UPPER; 1.0value convec,EGI-SECC,T	SA	1
11	2	H071	DE47-00055B	HEATER SHEATH-GRILL; SHG-D455B,MC455,1350	SA	1
12	2	M012	DE61-01529A	BRACKET-HEATER; 1.1 CELLO,EGI-SECC,T1.0,W	SNA	1
13	2	M008	DE63-00049B	GASKET-HEATER; CELLO,BRASS,T1.0,W53,L15,N	SNA	1

No.	Lvl.	Loc.	Material Code	Description & Specification	SNA	Qty.
14	2	M113	DE61-01531A	SUPPORT-HEATER; 1.1 CELLO,ALUMINA,W40,L31	SNA	1
15	2	M005	DE61-70060A	SPRING-PLATE; SK5,T0.5	SNA	1
16	2	M155	DE96-00637J	ASSY BASE PLATE; MC285TATCSQ/EN,1.0 CONVE	SNA	1
16-1	3	M039	2501-001015	C-OIL; 1.0uF,2100V,BK,35X54X80,20mm	SA	1
16-2	3	M040	DE61-50106A	BRACKET-HVC; EGI-SECC,T0.6,W31,L125.8	SA	1
16-3	3	M042	DE91-70061A	ASSY H.V.FUSE; -,THV060T-0800-H,5KV/0.80A	SA	1
16-4	3	M045	DE96-00295N	ASSY BASE PLATE SUB; MC285TATCSQ/EN,1.0 C	SA	1
16-4-1	4	M046	DE60-60025A	PIN-FOOT; PP	SA	4
16-4-2	4	M047	DE61-40065A	FOOT; -,PP,T2x22x17mm,BLK,-,-,-	SA	4
16-4-3	4	M048	DE61-00557M	BASE-PLATE; 5TH/1.0 CONVECTION,GI-SGCC,T0	SNA	1
16-7	3	M527	DE59-00002A	DIODE-H.V; MWO ALL,2CL4512H,-,450mA 13KV,	SA	1
17	2	M436	DE47-20009A	THERMOSTAT; NT-101,125/250V,150(1607,60)	SA	1
18	2	M035	OM75P(31)ESGN	ASSY-MGT; ASSY-MGT		1
19	2	M036	4713-001524	LAMP-INCANDESCENT; 230V,20W	SA	1
20	2	M037	DE63-00616A	COVER-AIR; CE107V/XEN,PP,FH44N	SA	1
21	2	M054	DE32-10013A	SENSOR; PTM-K312-K2,MG620440,-20to+310C,1	SA	1
22	2	M038	DE26-00152A	TRANS H.V; SHV-EPT10A,230V,50Hz,2390V/3.4	SA	1
23	2	M051	DE63-00237A	COVER-CEILING; CE297DN-5,MICA SHEET,T0.3,	SA	1
24	2	M495	DE31-10170B	MOTOR AC DRIVE; SM16FHK36P1AW3,8,220~240V	SA	1
25	2	M015	DE96-00385A	ASSY POWER CORD; VDE,Straight,EUROPE,250V	SA	1
26	1	Y103	DE94-03133A	ASSY CAVITY COATING; MC28H502MAW/BW,1.0 c	SNA	1
26-1	2		DE94-03134A	ASSY CAVITY WELDING; MC28H502MAW/BW,1.0CU	SNA	1
27	1		DE90-01649A	ASSY ACCESSORY PARTS; MC28H502MAW/BW,H500	SNA	1
27-1	2	T009	DE97-00136B	ASSY WIRE RACK; CK95,-,-,LOW-RACK	SA	1
27-2	2	T010	DE97-00136E	ASSY WIRE RACK; MG104WA,114,FOOT,VE-TYPE	SA	1
27-3	2	T150	DE92-90189S	ASSY GUIDE ROLLER; JES831,SPS(C832-V0),-	SA	1
27-4	2	T001	DE74-20015G	TRAY COOKING; 3RD-1.0,GLASS,T6.0,PI316,-	SA	1
27-5	2		DE69-00201A	PAD-RACK; 3RD-W,CB,114,VE-TYPE,120.000g	SNA	1

1.1. Assy Door

Exploded View

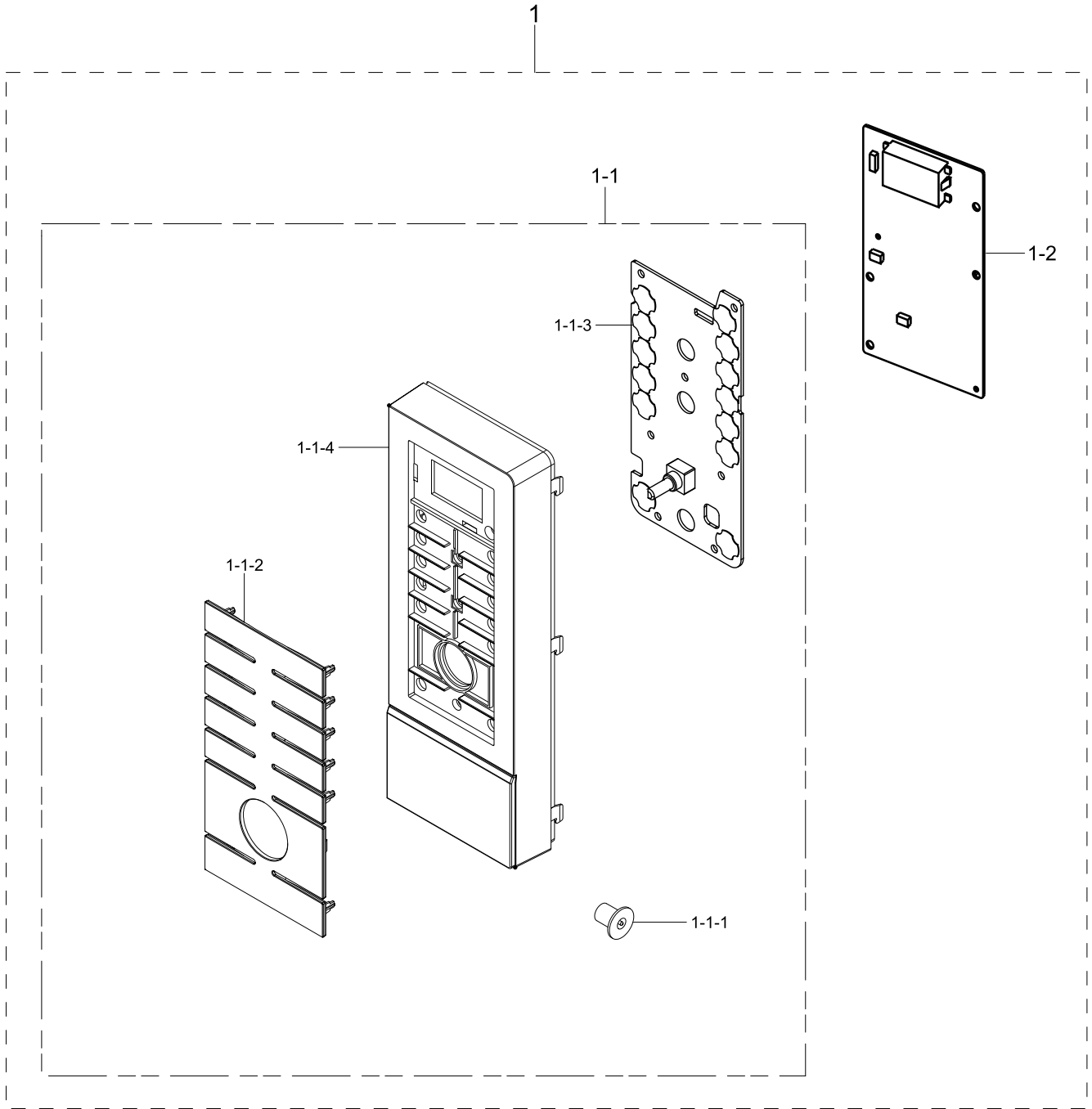


Parts List

No.	Lvl.	Loc.	Material Code	Description & Specification	SNA	Qty.
1	1	D049	DE94-03131G	ASSY DOOR; CE107M-4W/XEF,WHITE	SA	1
1-1	2	D006	DE64-02267A	DOOR-C; CE107V/XEN,PBT,BLACK K21249	SA	1
1-2	2	D200	DE94-02226C	ASSY DOOR E-SUB; 1.0 CON,EGF,BLACK,OUT-SO	SA	1
1-2-1	3	D204	DE94-02172A	ASSY DOOR E-SEALANT; 1.0 CONV,SCP,BLACK,N	SA	1
1-2-2	3	D012	DE64-01353A	KEY DOOR-UP; SCOUT,PA66,-,BLACK,UPPER	SA	1
1-2-3	3	D007	DE61-01406A	SPRING ETC-KEY; SWP,0.7,4.6,6,17	SNA	2
1-2-4	3	D014	DE64-01352A	KEY DOOR-BOTTOM; SCOUT,PA66,-,BLACK,LOWER	SA	1
1-2-5	3	D017	DE60-60008A	PIN-HINGE; MSWR-SWRM,MSWR10	SNA	2
1-3	2	D037	DE94-01792W	ASSY DOOR A; CE107M-4W/XEF,WHITE,PC, OGUN	SA	1
1-3-1	3	D024	DE64-02035G	SCREEN DOOR-B; HQ-Z280MW,GLASS,T3.2,SMOG-	SA	1

1.2. Assy Control

Exploded View

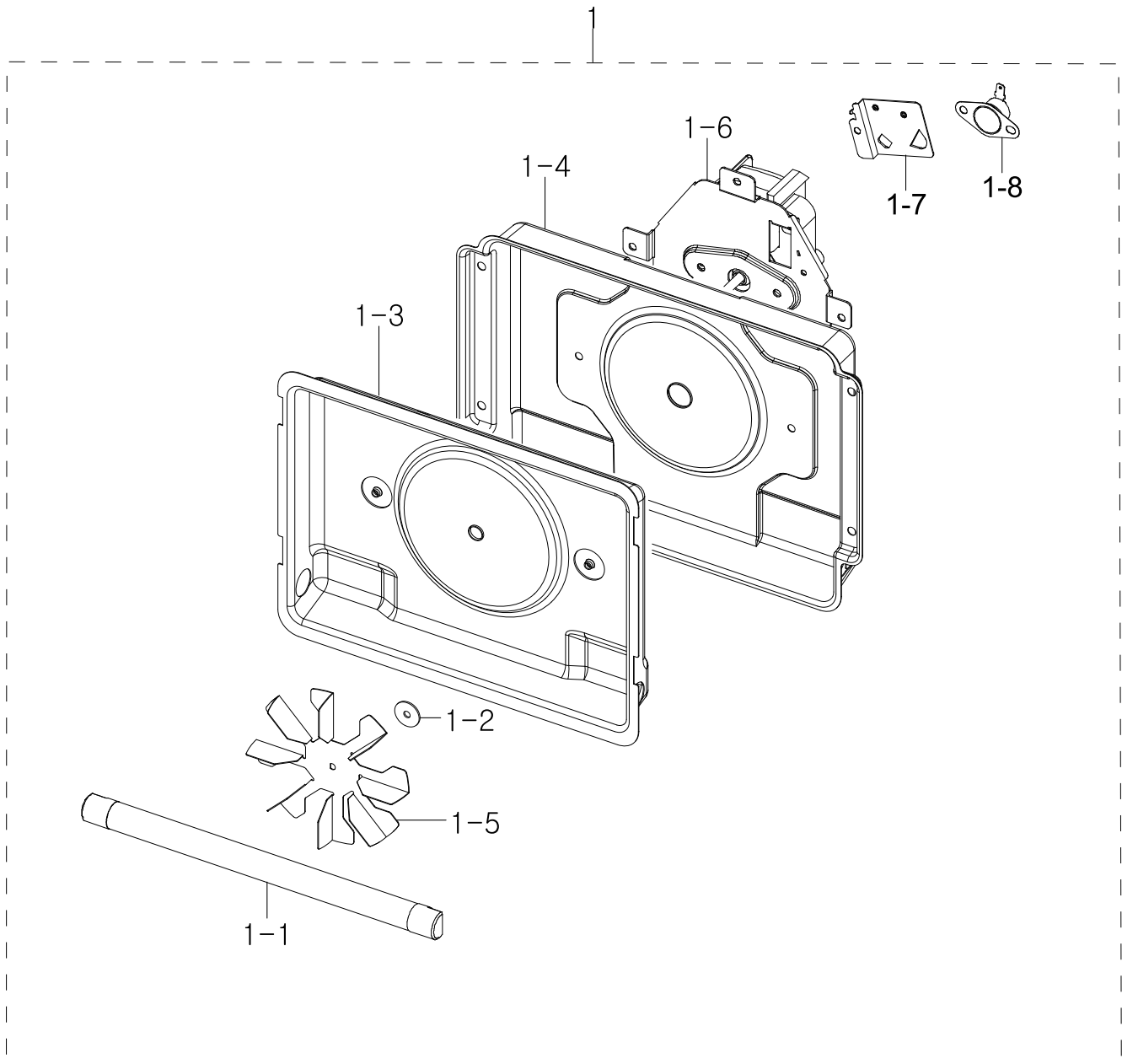


Parts List

No.	Lvl.	Loc.	Material Code	Description & Specification	SNA	Qty.
1	1	C082	DE94-03169L	ASSY CONTROL BOX; CE107M-4W/XEF,230V 50HZ	SNA	1
1-1	2	C001	DE94-03227A	ASSY CONTROL PANEL; CE107M-4W/XEF,WHITE,P	SA	1
1-1-1	3	C035	DE64-02021A	BUTTON CLOCK; GE89M-B,ABS,HB,GE BLACK,0.8	SA	1
1-1-2	3	Z777	DE64-02183K	BUTTON; CE107M-4W/XEF,PC,HB,WHITE,OGUN CO	SA	1
1-1-3	3	C084	DE96-00772A	ASSY KEY MODULE; CE107M,DKM-CE107M-00,1.0	SA	1
1-1-4	3	C005	DE64-02180W	CONTROL PANEL; CE107M-4W/XEF,PC,WHITE,OGU	SNA	1
1-2	2	F316	DE92-03440Y	ASSY PCB MAIN; CE109MTST1/XEG,RCS-SMS100L	SA	1

1.3. Assy Cassing

Exploded View



Parts List

No.	Lvl.	Loc.	Material Code	Description & Specification	SNA	Qty.
1	2	H067	DE94-02938C	ASSY CASING; MC32F606TCT,800W,1.1CELLO(CO	SA	1
1-1	3	M295	DE47-00048A	HEATER QUARTZ-CONVECTION; SHQ-E107VA,CE10	SA	1
1-2	3	H011	DE60-40014B	WASHER-C MOTOR; STAINLESS-ST304,T1.0,ZNC	SNA	1

No.	Lvl.	Loc.	Material Code	Description & Specification	SNA	Qty.
1-3	3	H014	DE61-01188A	BRACKET-CASING; 1.0 VALUE CONVECTION,ALST	SNA	1
1-4	3	H015	DE63-00618A	COVER-CASING; 1.0value convec,EGI-SECC,T0	SA	1
1-5	3	H098	DE31-00060A	BLADE-FAN; 1.0value convec,ALCOT,T0.5,VAL	SA	1
1-6	3	H001	DE31-00049C	MOTOR AC CONVECTION; TRIO,SMC-E7103B,2,23	SA	1
1-7	3	H012	DE61-01371A	BRACKET-TCO; SMH9151B/XAA,EGI-SECC	SA	1
1-8	3	M436	DE47-20009A	THERMOSTAT; NT-101,125/250V,150(1607,60	SA	1