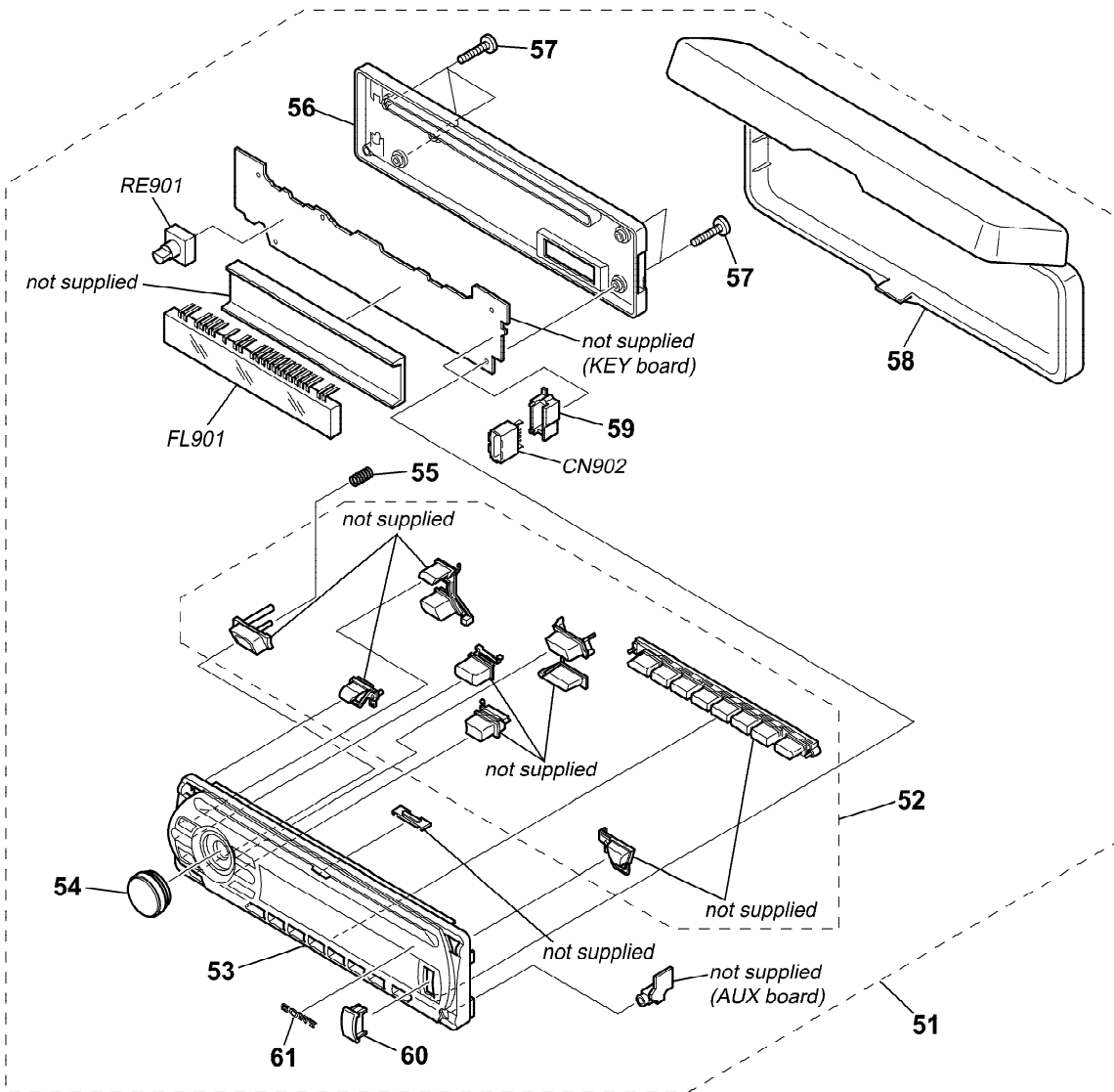


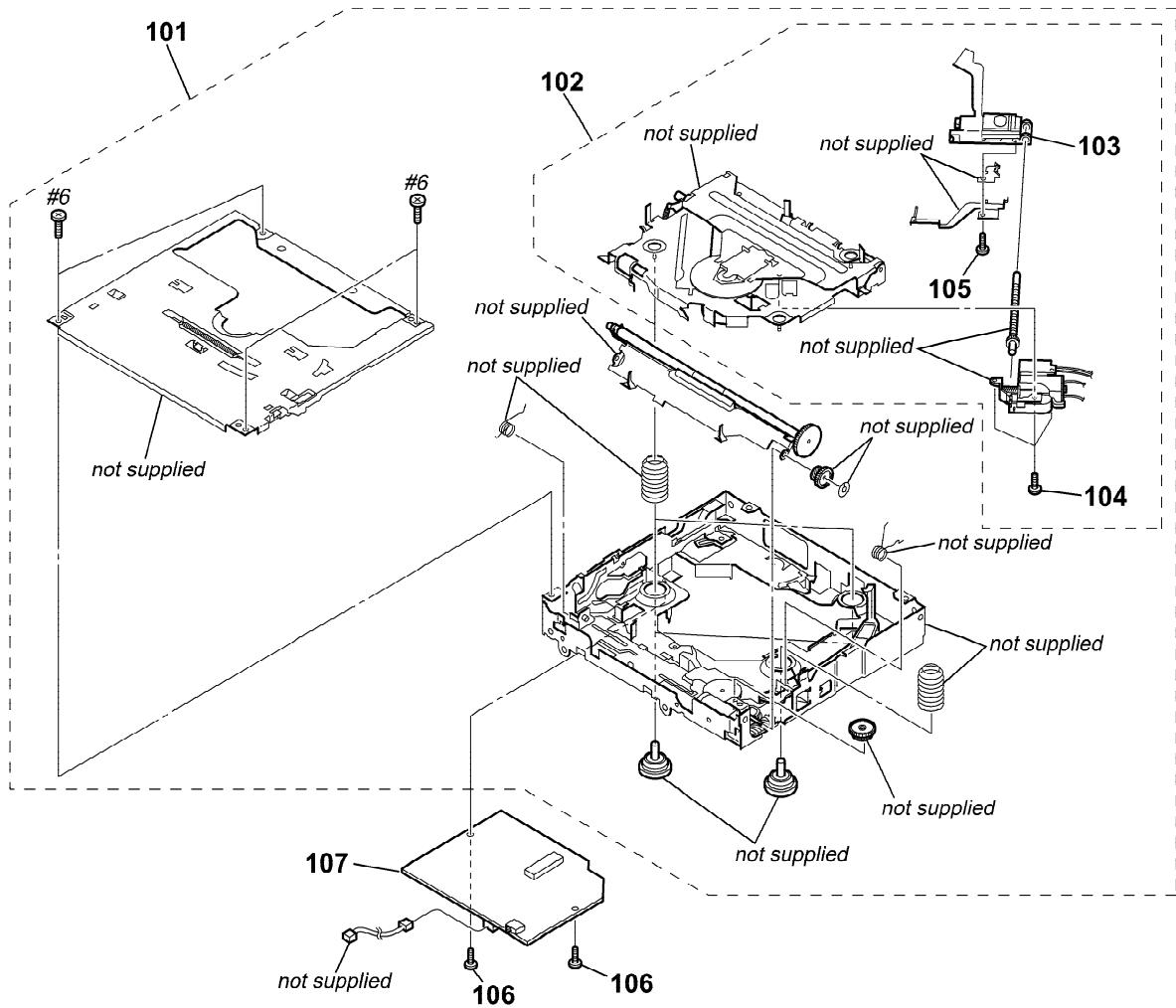


5-2. FRONT PANEL SECTION



Ref. No.	Part No.	Description	Remark	Ref. No.	Part No.	Description	Remark
51	A-1215-205-A	PANEL COMPLETE ASSY, FRONT (GT410U:AEP,UK)		55	2-693-599-01	SPRING (RELEASE)	
51	A-1215-215-A	PANEL COMPLETE ASSY, FRONT (GT414U:AEP,UK)		56	2-686-937-01	PANEL (FL-U), BACK	
51	A-1226-240-A	PANEL COMPLETE ASSY, FRONT (GT410U:RU)		57	3-250-543-21	SCREW (+B P-TITE M2)	
51	A-1228-536-A	PANEL COMPLETE ASSY, FRONT (GT414U:RU)		58	X-2149-228-2	CASE ASSY (for FRONT PANEL)	
52	X-2149-754-1	BUTTON ASSY (S) (GT410U)		59	2-686-941-01	HOLDER (USB)	
52	X-2149-755-1	BUTTON ASSY (S) (GT414U)		60	2-686-945-01	CAP (USB)	
53	X-2149-758-1	PANEL (SV) ASSY, FRONT (GT410U)		61	3-251-320-01	EMBLEM (NO. 2.5), SONY	
53	X-2149-759-1	PANEL (SV) ASSY, FRONT (GT414U)		CN902	1-820-877-11	CONNECTOR, USB (SOCKET) (USB)	
54	X-2149-353-1	KNOB (VOL) (SV) ASSY		FL901	1-519-909-12	INDICATOR TUBE, FLUORESCENT	
				RE901	1-479-481-13	ENCODER, ROTARY (PUSH SELECT,VOLUME)	

5-3. CD MECHANISM SECTION  
(MG-101U-188//Q)



Ref. No.	Part No.	Description	Remark	Ref. No.	Part No.	Description	Remark
101	A-1177-168-A	MECHANICAL BLOCK ASSY		105	3-348-998-31	SCREW (M1.4X2.5), TAPPING, PAN	
102	A-1177-169-A	DAXEV//Q		106	3-352-758-31	SCREW (M1.7X2.5), TOOTHED LOCK	
△ 103	X-2149-672-1	SERVICE ASSY, OP (DAX-25A)		107	A-1206-357-A	SERVO BOARD, COMPLETE	
104	2-626-869-01	SCREW (M2X3), SERRATION		#7	7-627-000-08	SCREW, PRECISION +P 1.7X2.2 TYPE3	

SECTION 6  
ELECTRICAL PARTS LIST

AUX KEY

NOTE:

- Due to standardization, replacements in the parts list may be different from the parts specified in the diagrams or the components used on the set.
- -XX and -X mean standardized parts, so they may have some difference from the original one.
- RESISTORS  
All resistors are in ohms.  
METAL: Metal-film resistor.  
METAL OXIDE: Metal oxide-film resistor.  
F: nonflammable

- Items marked “\*” are not stocked since they are seldom required for routine service. Some delay should be anticipated when ordering these items.
- SEMICONDUCTORS  
In each case, u :  $\mu$ , for example:  
uA. :  $\mu$ A. uPA. :  $\mu$ PA.  
uPB. :  $\mu$ PB. uPC. :  $\mu$ PC. uPD. :  $\mu$ PD.
- CAPACITORS  
uF :  $\mu$ F
- COILS  
uH :  $\mu$ H

The components identified by mark  $\Delta$  or dotted line with mark  $\Delta$  are critical for safety. Replace only with part number specified.

When indicating parts by reference number, please include the board.

- Abbreviation  
RU: Russia model

Ref. No.	Part No.	Description	Remark
		AUX BOARD *****	
		< FERRITE BEAD >	
FB901	1-414-595-11	INDUCTOR, FERRITE BEAD	
FB902	1-414-595-11	INDUCTOR, FERRITE BEAD	
FB903	1-500-245-11	INDUCTOR, FERRITE BEAD	
		< JACK >	
J901	1-819-732-21	JACK (DIA. 3.5) (AUX)	
*****			
		KEY BOARD *****	
		< CAPACITOR >	
C905	1-162-970-11	CERAMIC CHIP 0.01uF 10% 25V	
C974	1-107-826-11	CERAMIC CHIP 0.1uF 10% 16V	
C975	1-107-826-11	CERAMIC CHIP 0.1uF 10% 16V	
C976	1-107-826-11	CERAMIC CHIP 0.1uF 10% 16V	
C977	1-125-891-11	CERAMIC CHIP 0.47uF 10% 10V	
C979	1-127-715-11	CERAMIC CHIP 0.22uF 10% 16V	
C981	1-107-826-11	CERAMIC CHIP 0.1uF 10% 16V	
C982	1-107-826-11	CERAMIC CHIP 0.1uF 10% 16V	
C991	1-162-970-11	CERAMIC CHIP 0.01uF 10% 25V	
C992	1-162-970-11	CERAMIC CHIP 0.01uF 10% 25V	
		< CONNECTOR >	
CN901	1-820-620-11	PLUG, CONNECTOR 24P	
		< DIODE >	
D903	8-719-057-80	DIODE MA8180-M-TX	
D904	8-719-057-80	DIODE MA8180-M-TX	
D905	8-719-977-12	DIODE DTZ6.8B	
D906	8-719-977-12	DIODE DTZ6.8B	
D907	8-719-977-12	DIODE DTZ6.8B	
D908	8-719-977-12	DIODE DTZ6.8B	
D951	1-804-988-21	VARISTOR, CHIP (1608)	
D953	1-804-988-21	VARISTOR, CHIP (1608)	
D955	1-804-988-21	VARISTOR, CHIP (1608)	
D971	8-719-420-90	DIODE MA8051-M	
		< FERRITE BEAD >	
FB904	1-469-876-11	INDUCTOR, FERRITE BEAD	
FB905	1-469-876-11	INDUCTOR, FERRITE BEAD	

Ref. No.	Part No.	Description	Remark
FB906	1-216-295-11	SHORT CHIP 0	
FB907	1-216-295-11	SHORT CHIP 0	
		< FLUORESCENT INDICATOR TUBE >	
FL901	1-519-909-12	INDICATOR TUBE, FLUORESCENT	
		< IC >	
IC971	6-600-163-01	IC RS-770 (IR)	
IC972	6-706-715-01	IC NJM2867F33(TE2)	
		< DIODE >	
LED841	8-719-078-21	LED SML-310PTT86 ( $\Delta$ )	
LED842	8-719-078-21	LED SML-310PTT86 (CD INDICATOR)	
LED843	8-719-078-21	LED SML-310PTT86 (OFF)	
LED844	8-719-078-21	LED SML-310PTT86 (EQ3)	
LED845	8-719-078-21	LED SML-310PTT86 (PTY)	
LED846	8-719-078-21	LED SML-310PTT86 (SOURCE)	
LED847	8-719-078-21	LED SML-310PTT86 (MODE)	
LED850	8-719-078-21	LED SML-310PTT86 (DSPL/DIM)	
LED851	8-719-078-21	LED SML-310PTT86 (1/GP/ALBM-)	
LED852	8-719-078-21	LED SML-310PTT86 (2/GP/ALBM+)	
LED853	8-719-078-21	LED SML-310PTT86 (3/REP)	
LED854	8-719-078-21	LED SML-310PTT86 (4/SHUF)	
LED855	8-719-078-21	LED SML-310PTT86 (5)	
LED856	8-719-078-21	LED SML-310PTT86 (6/PAUSE)	
LED857	8-719-078-21	LED SML-310PTT86 (AF/TA)	
LED861	8-719-078-21	LED SML-310PTT86 (RING ILLUMINATION)	
LED862	8-719-078-21	LED SML-310PTT86 (RING ILLUMINATION)	
LED863	8-719-078-21	LED SML-310PTT86 (RING ILLUMINATION)	
LED864	8-719-078-21	LED SML-310PTT86 (RING ILLUMINATION)	
LED941	8-719-053-09	LED SML-310VTT86 ( $\Delta$ )	
LED942	8-719-053-09	LED SML-310VTT86 (CD INDICATOR)	
LED943	8-719-053-09	LED SML-310VTT86 (OFF)	
LED944	8-719-053-09	LED SML-310VTT86 (EQ3)	
LED945	8-719-053-09	LED SML-310VTT86 (PTY)	
LED946	8-719-053-09	LED SML-310VTT86 (SOURCE)	
LED947	8-719-053-09	LED SML-310VTT86 (MODE)	
LED950	8-719-053-09	LED SML-310VTT86 (DSPL/DIM)	
LED951	8-719-053-09	LED SML-310VTT86 (1/GP/ALBM-)	
LED952	8-719-053-09	LED SML-310VTT86 (2/GP/ALBM+)	
LED953	8-719-053-09	LED SML-310VTT86 (3/REP)	
LED954	8-719-053-09	LED SML-310VTT86 (4/SHUF)	
LED955	8-719-053-09	LED SML-310VTT86 (5)	
LED956	8-719-053-09	LED SML-310VTT86 (6/PAUSE)	

Ref. No.	Part No.	Description	Remark	Ref. No.	Part No.	Description	Remark
LED957	8-719-053-09	LED SML-310VTT86 (AF/TA)		R910	1-216-823-11	METAL CHIP 1.5K 5%	1/10W
LED961	8-719-053-09	LED SML-310VTT86 (RING ILLUMINATION)		R911	1-216-824-11	METAL CHIP 1.8K 5%	1/10W
LED962	8-719-053-09	LED SML-310VTT86 (RING ILLUMINATION)		R912	1-216-825-11	METAL CHIP 2.2K 5%	1/10W
LED963	8-719-053-09	LED SML-310VTT86 (RING ILLUMINATION)		R913	1-216-827-11	METAL CHIP 3.3K 5%	1/10W
		< COIL >		R914	1-216-828-11	METAL CHIP 3.9K 5%	1/10W
LF901	1-457-223-11	COIL, COMMON MODE CHOKE		R915	1-216-830-11	METAL CHIP 5.6K 5%	1/10W
		< SWITCH >		R921	1-216-295-11	SHORT CHIP 0	
LSW901	1-798-018-11	SWITCH, TACTILE (WITH LED)		R922	1-216-295-11	SHORT CHIP 0	
		(▶▶▶▶ SEEK +)		R941	1-216-813-11	METAL CHIP 220 5%	1/10W
LSW902	1-798-018-11	SWITCH, TACTILE (WITH LED)		R942	1-216-813-11	METAL CHIP 220 5%	1/10W
		(◀◀◀◀ SEEK -)		R943	1-216-812-11	METAL CHIP 180 5%	1/10W
		< TRANSISTOR >		R944	1-216-811-11	METAL CHIP 150 5%	1/10W
Q881	8-729-600-22	TRANSISTOR 2SA1235-F		R945	1-216-812-11	METAL CHIP 180 5%	1/10W
Q882	8-729-600-22	TRANSISTOR 2SA1235-F		R946	1-216-811-11	METAL CHIP 150 5%	1/10W
Q883	8-729-600-22	TRANSISTOR 2SA1235-F		R947	1-216-812-11	METAL CHIP 180 5%	1/10W
Q991	6-550-752-01	TRANSISTOR DTC614TKT146		R948	1-216-811-11	METAL CHIP 150 5%	1/10W
Q992	6-550-752-01	TRANSISTOR DTC614TKT146		R949	1-216-809-11	METAL CHIP 100 5%	1/10W
		< RESISTOR >		R950	1-216-809-11	METAL CHIP 100 5%	1/10W
R841	1-216-810-11	METAL CHIP 120 5%	1/10W	R951	1-216-809-11	METAL CHIP 100 5%	1/10W
R842	1-216-810-11	METAL CHIP 120 5%	1/10W	R952	1-216-809-11	METAL CHIP 100 5%	1/10W
R843	1-216-811-11	METAL CHIP 150 5%	1/10W	R953	1-216-812-11	METAL CHIP 180 5%	1/10W
R844	1-216-810-11	METAL CHIP 120 5%	1/10W	R954	1-216-811-11	METAL CHIP 150 5%	1/10W
R845	1-216-811-11	METAL CHIP 150 5%	1/10W	R961	1-216-809-11	METAL CHIP 100 5%	1/10W
R846	1-216-810-11	METAL CHIP 120 5%	1/10W	R962	1-216-809-11	METAL CHIP 100 5%	1/10W
R847	1-216-811-11	METAL CHIP 150 5%	1/10W	R971	1-216-809-11	METAL CHIP 100 5%	1/10W
R848	1-216-810-11	METAL CHIP 120 5%	1/10W	R975	1-216-811-11	METAL CHIP 150 5%	1/10W
R849	1-216-807-11	METAL CHIP 68 5%	1/10W	R976	1-216-811-11	METAL CHIP 150 5%	1/10W
R850	1-216-807-11	METAL CHIP 68 5%	1/10W	R977	1-216-809-11	METAL CHIP 100 5%	1/10W
R851	1-216-807-11	METAL CHIP 68 5%	1/10W	R978	1-216-864-11	SHORT CHIP 0	
R852	1-216-807-11	METAL CHIP 68 5%	1/10W	R981	1-218-893-11	METAL CHIP 82K 0.5%	1/10W
R853	1-216-811-11	METAL CHIP 150 5%	1/10W	R982	1-216-841-11	METAL CHIP 47K 5%	1/10W
R854	1-216-810-11	METAL CHIP 120 5%	1/10W	R983	1-216-801-11	METAL CHIP 22 5%	1/10W
R861	1-216-811-11	METAL CHIP 150 5%	1/10W	R984	1-216-801-11	METAL CHIP 22 5%	1/10W
R862	1-216-810-11	METAL CHIP 120 5%	1/10W	R988	1-216-864-11	SHORT CHIP 0	
R863	1-216-811-11	METAL CHIP 150 5%	1/10W	R989	1-216-845-11	METAL CHIP 100K 5%	1/10W
R864	1-216-810-11	METAL CHIP 120 5%	1/10W	R993	1-216-809-11	METAL CHIP 100 5%	1/10W
R881	1-216-821-11	METAL CHIP 1K 5%	1/10W	R994	1-216-809-11	METAL CHIP 100 5%	1/10W
R882	1-216-821-11	METAL CHIP 1K 5%	1/10W	R995	1-216-809-11	METAL CHIP 100 5%	1/10W
R883	1-216-821-11	METAL CHIP 1K 5%	1/10W			< NETWORK RESISTOR >	
R884	1-216-833-11	METAL CHIP 10K 5%	1/10W	RB901	1-239-662-81	RESISTOR, NETWORK 10X2	
R885	1-216-833-11	METAL CHIP 10K 5%	1/10W			< ROTARY ENCODER >	
R886	1-216-833-11	METAL CHIP 10K 5%	1/10W	RE901	1-479-481-13	ENCODER, ROTARY (PUSH SELECT,VOLUME)	
R887	1-216-845-11	METAL CHIP 100K 5%	1/10W			< SWITCH >	
R888	1-216-845-11	METAL CHIP 100K 5%	1/10W	S901	1-786-653-21	SWITCH, TACTILE (▲)	
R901	1-216-820-11	METAL CHIP 820 5%	1/10W	S902	1-786-653-21	SWITCH, TACTILE (OFF)	
R902	1-216-821-11	METAL CHIP 1K 5%	1/10W	S903	1-786-653-21	SWITCH, TACTILE (SOURCE)	
R903	1-216-821-11	METAL CHIP 1K 5%	1/10W	S904	1-786-653-21	SWITCH, TACTILE (EQ3)	
R904	1-216-822-11	METAL CHIP 1.2K 5%	1/10W	S906	1-786-653-21	SWITCH, TACTILE (PTY)	
R905	1-216-823-11	METAL CHIP 1.5K 5%	1/10W	S907	1-786-653-21	SWITCH, TACTILE (MODE)	
R906	1-216-820-11	METAL CHIP 820 5%	1/10W	S908	1-786-653-21	SWITCH, TACTILE (DSPL/DIM)	
R907	1-216-821-11	METAL CHIP 1K 5%	1/10W	S909	1-786-653-21	SWITCH, TACTILE (1/GP/ALBM-)	
R908	1-216-821-11	METAL CHIP 1K 5%	1/10W	S910	1-786-653-21	SWITCH, TACTILE (2/GP/ALBM+)	
R909	1-216-822-11	METAL CHIP 1.2K 5%	1/10W	S911	1-786-653-21	SWITCH, TACTILE (3/REP)	
				S912	1-786-653-21	SWITCH, TACTILE (4/SHUF)	

# CDX-GT410U/GT414U

**KEY** **MAIN**

Ref. No.	Part No.	Description	Remark	Ref. No.	Part No.	Description	Remark
S913	1-786-653-21	SWITCH, TACTILE (5)		C362	1-127-715-11	CERAMIC CHIP 0.22uF 10%	16V
S914	1-786-653-21	SWITCH, TACTILE (6/PAUSE)		C363	1-126-160-11	ELECT 1uF 20%	50V
S915	1-786-653-21	SWITCH, TACTILE (AF/TA)		C364	1-126-160-11	ELECT 1uF 20%	50V
*****							
A-1215-203-A	MAIN BOARD, COMPLETE (AEP,UK)			C401	1-124-234-00	ELECT 22uF 20%	16V
A-1221-474-A	MAIN BOARD, COMPLETE (RU)			C402	1-162-970-11	CERAMIC CHIP 0.01uF 10%	25V
*****							
7-621-284-40	SCREW +P 2.6X10			C403	1-124-584-00	ELECT 100uF 20%	10V
7-685-134-19	SCREW +P 2.6X8 TYPE2 NON-SLIT			C405	1-124-234-00	ELECT 22uF 20%	16V
7-685-794-09	SCREW +PTT 2.6X10 (S)			C406	1-124-257-00	ELECT 2.2uF 20%	50V
< CAPACITOR >							
C1	1-126-963-11	ELECT 4.7uF 20%	50V	C407	1-124-257-00	ELECT 2.2uF 20%	50V
C2	1-126-947-11	ELECT 47uF 20%	35V	C409	1-124-233-11	ELECT 10uF 20%	16V
C3	1-162-970-11	CERAMIC CHIP 0.01uF 10%	25V	C412	1-162-970-11	CERAMIC CHIP 0.01uF 10%	25V
C5	1-124-589-11	ELECT 47uF 20%	16V	C413	1-163-251-11	CERAMIC CHIP 100PF 5%	50V
C6	1-162-970-11	CERAMIC CHIP 0.01uF 10%	25V	C414	1-163-251-11	CERAMIC CHIP 100PF 5%	50V
C7	1-162-970-11	CERAMIC CHIP 0.01uF 10%	25V	C415	1-162-970-11	CERAMIC CHIP 0.01uF 10%	25V
C8	1-162-970-11	CERAMIC CHIP 0.01uF 10%	25V	C417	1-162-970-11	CERAMIC CHIP 0.01uF 10%	25V
C50	1-107-826-11	CERAMIC CHIP 0.1uF 10%	16V	C418	1-162-964-11	CERAMIC CHIP 0.001uF 10%	50V
C51	1-107-826-11	CERAMIC CHIP 0.1uF 10%	16V	C419	1-162-964-11	CERAMIC CHIP 0.001uF 10%	50V
C52	1-107-826-11	CERAMIC CHIP 0.1uF 10%	16V	C421	1-126-964-11	ELECT 10uF 20%	50V
C53	1-107-826-11	CERAMIC CHIP 0.1uF 10%	16V	C423	1-165-908-11	CERAMIC CHIP 1uF 10%	10V
C54	1-107-826-11	CERAMIC CHIP 0.1uF 10%	16V	C424	1-162-927-11	CERAMIC CHIP 100PF 5%	50V
C55	1-107-826-11	CERAMIC CHIP 0.1uF 10%	16V	C426	1-165-908-11	CERAMIC CHIP 1uF 10%	10V
C56	1-164-237-11	CERAMIC CHIP 16PF 5%	50V	C431	1-126-964-11	ELECT 10uF 20%	50V
C57	1-164-237-11	CERAMIC CHIP 16PF 5%	50V	C432	1-163-251-11	CERAMIC CHIP 100PF 5%	50V
C58	1-162-959-11	CERAMIC CHIP 330PF 5%	50V	C434	1-162-927-11	CERAMIC CHIP 100PF 5%	50V
C61	1-126-947-11	ELECT 47uF 20%	35V	C441	1-126-964-11	ELECT 10uF 20%	50V
C151	1-126-960-11	ELECT 1uF 20%	50V	C443	1-165-908-11	CERAMIC CHIP 1uF 10%	10V
C152	1-126-960-11	ELECT 1uF 20%	50V	C444	1-162-927-11	CERAMIC CHIP 100PF 5%	50V
C153	1-126-961-11	ELECT 2.2uF 20%	50V	C445	1-165-908-11	CERAMIC CHIP 1uF 10%	10V
C157	1-163-009-11	CERAMIC CHIP 0.001uF 10%	50V	C451	1-126-964-11	ELECT 10uF 20%	50V
C158	1-163-017-00	CERAMIC CHIP 0.0047uF 10%	50V	C452	1-163-251-11	CERAMIC CHIP 100PF 5%	50V
C159	1-163-017-00	CERAMIC CHIP 0.0047uF 10%	50V	C454	1-162-927-11	CERAMIC CHIP 100PF 5%	50V
C301	1-115-340-11	CERAMIC CHIP 0.22uF 10%	25V	C461	1-126-964-11	ELECT 10uF 20%	50V
C302	1-162-970-11	CERAMIC CHIP 0.01uF 10%	25V	C462	1-165-908-11	CERAMIC CHIP 1uF 10%	10V
C303	1-128-551-11	ELECT 22uF 20%	63V	C463	1-165-908-11	CERAMIC CHIP 1uF 10%	10V
C304	1-115-340-11	CERAMIC CHIP 0.22uF 10%	25V	C471	1-126-964-11	ELECT 10uF 20%	50V
C305	1-162-970-11	CERAMIC CHIP 0.01uF 10%	25V	C472	1-165-908-11	CERAMIC CHIP 1uF 10%	10V
C306	1-124-233-11	ELECT 10uF 20%	16V	C473	1-165-908-11	CERAMIC CHIP 1uF 10%	10V
C307	1-162-970-11	CERAMIC CHIP 0.01uF 10%	25V	C484	1-107-826-11	CERAMIC CHIP 0.1uF 10%	16V
C308	1-124-233-11	ELECT 10uF 20%	16V	C485	1-126-933-11	ELECT 100uF 20%	16V
C309	1-115-340-11	CERAMIC CHIP 0.22uF 10%	25V	C486	1-126-964-11	ELECT 10uF 20%	50V
C312	1-115-340-11	CERAMIC CHIP 0.22uF 10%	25V	C491	1-124-589-11	ELECT 47uF 20%	16V
C313	1-162-970-11	CERAMIC CHIP 0.01uF 10%	25V	C493	1-162-967-11	CERAMIC CHIP 0.0033uF 10%	50V
C314	1-124-233-11	ELECT 10uF 20%	16V	C494	1-162-967-11	CERAMIC CHIP 0.0033uF 10%	50V
C315	1-162-970-11	CERAMIC CHIP 0.01uF 10%	25V	C501	1-162-970-11	CERAMIC CHIP 0.01uF 10%	25V
C316	1-124-233-11	ELECT 10uF 20%	16V	C502	1-162-964-11	CERAMIC CHIP 0.001uF 10%	50V
C317	1-125-889-11	CERAMIC CHIP 2.2uF 10%	10V	C504	1-162-970-11	CERAMIC CHIP 0.01uF 10%	25V
C318	1-162-923-11	CERAMIC CHIP 47PF 5%	50V	C507	1-162-917-11	CERAMIC CHIP 15PF 5%	50V
C319	1-127-715-11	CERAMIC CHIP 0.22uF 10%	16V	C508	1-162-917-11	CERAMIC CHIP 15PF 5%	50V
C320	1-162-970-11	CERAMIC CHIP 0.01uF 10%	25V	C509	1-164-227-11	CERAMIC CHIP 0.022uF 10%	25V
C325	1-115-340-11	CERAMIC CHIP 0.22uF 10%	25V	C510	1-165-908-11	CERAMIC CHIP 1uF 10%	10V
C329	1-107-826-11	CERAMIC CHIP 0.1uF 10%	16V	C512	1-162-964-11	CERAMIC CHIP 0.001uF 10%	50V
C330	1-115-340-11	CERAMIC CHIP 0.22uF 10%	25V	C513	1-162-970-11	CERAMIC CHIP 0.01uF 10%	25V
C361	1-127-715-11	CERAMIC CHIP 0.22uF 10%	16V	C514	1-162-964-11	CERAMIC CHIP 0.001uF 10%	50V
C362	1-127-715-11	CERAMIC CHIP 0.22uF 10%	16V	C515	1-162-970-11	CERAMIC CHIP 0.01uF 10%	25V
C363	1-126-160-11	ELECT 1uF 20%	50V	C516	1-162-970-11	CERAMIC CHIP 0.01uF 10%	25V
C364	1-126-160-11	ELECT 1uF 20%	50V	C519	1-107-826-11	CERAMIC CHIP 0.1uF 10%	16V
C365	1-126-960-11	ELECT 1uF 20%	50V				
C366	1-126-960-11	ELECT 1uF 20%	50V				

Ref. No.	Part No.	Description	Remark	Ref. No.	Part No.	Description	Remark
C600	1-126-935-11	ELECT	470uF 20% 16V	D106	8-719-977-12	DIODE DTZ6.8B	
C601	1-162-970-11	CERAMIC CHIP	0.01uF 10% 25V	D107	8-719-977-12	DIODE DTZ6.8B	
C622	1-126-924-11	ELECT	330uF 20% 10V	D108	8-719-977-12	DIODE DTZ6.8B	
C623	1-126-916-11	ELECT	1000uF 20% 6.3V	D109	8-719-977-12	DIODE DTZ6.8B	
C624	1-124-584-00	ELECT	100uF 20% 10V	D110	8-719-977-12	DIODE DTZ6.8B	
C625	1-124-584-00	ELECT	100uF 20% 10V	D111	8-719-977-12	DIODE DTZ6.8B	
C626	1-124-584-00	ELECT	100uF 20% 10V	D112	8-719-977-12	DIODE DTZ6.8B	
C681	1-162-970-11	CERAMIC CHIP	0.01uF 10% 25V	D113	8-719-977-12	DIODE DTZ6.8B	
C682	1-162-970-11	CERAMIC CHIP	0.01uF 10% 25V	D151	1-805-043-11	ABSORBER, CHIP SURGE	
C683	1-124-584-00	ELECT	100uF 20% 10V	D152	1-805-043-11	ABSORBER, CHIP SURGE	
C701	1-131-868-81	ELECT	3300uF 20% 16V	D153	8-719-057-80	DIODE MA8180-M-TX	
C702	1-164-005-11	CERAMIC CHIP	0.47uF 25V	D156	8-719-977-12	DIODE DTZ6.8B	
C703	1-164-005-11	CERAMIC CHIP	0.47uF 25V	D301	6-500-522-01	DIODE 10EDB40-TA1B2	
C704	1-115-340-11	CERAMIC CHIP	0.22uF 10% 25V	D302	6-500-522-01	DIODE 10EDB40-TA1B2	
C705	1-115-340-11	CERAMIC CHIP	0.22uF 10% 25V	D303	6-500-522-01	DIODE 10EDB40-TA1B2	
C706	1-163-009-11	CERAMIC CHIP	0.001uF 10% 50V	D304	6-500-522-01	DIODE 10EDB40-TA1B2	
C707	1-163-009-11	CERAMIC CHIP	0.001uF 10% 50V	D305	6-500-522-01	DIODE 10EDB40-TA1B2	
C801	1-126-933-11	ELECT	100uF 20% 16V	D306	6-500-522-01	DIODE 10EDB40-TA1B2	
C802	1-107-826-11	CERAMIC CHIP	0.1uF 10% 16V	D307	6-500-522-01	DIODE 10EDB40-TA1B2	
C803	1-124-589-11	ELECT	47uF 20% 16V	D308	6-500-522-01	DIODE 10EDB40-TA1B2	
C804	1-162-970-11	CERAMIC CHIP	0.01uF 10% 25V	D309	6-500-522-01	DIODE 10EDB40-TA1B2	
C805	1-107-826-11	CERAMIC CHIP	0.1uF 10% 16V	D310	6-500-522-01	DIODE 10EDB40-TA1B2	
C806	1-124-589-11	ELECT	47uF 20% 16V	D311	6-500-522-01	DIODE 10EDB40-TA1B2	
C807	1-162-970-11	CERAMIC CHIP	0.01uF 10% 25V	D312	6-500-522-01	DIODE 10EDB40-TA1B2	
C808	1-162-970-11	CERAMIC CHIP	0.01uF 10% 25V	D353	6-501-013-01	DIODE BAT54ALT1G	
C809	1-126-933-11	ELECT	100uF 20% 16V	D491	8-719-988-61	DIODE 1SS355TE-17	
C810	1-162-970-11	CERAMIC CHIP	0.01uF 10% 25V	D502	8-719-060-48	DIODE RB751V-40TE-17	
C811	1-124-584-00	ELECT	100uF 20% 10V	D503	8-719-988-61	DIODE 1SS355TE-17	
C812	1-162-969-11	CERAMIC CHIP	0.0068uF 10% 25V	D602	8-719-057-80	DIODE MA8180-M-TX	
C814	1-107-826-11	CERAMIC CHIP	0.1uF 10% 16V	D603	8-719-422-64	DIODE MA8062-M	
C815	1-126-933-11	ELECT	100uF 20% 16V	D604	8-719-057-80	DIODE MA8180-M-TX	
C816	1-162-970-11	CERAMIC CHIP	0.01uF 10% 25V	D605	8-719-057-80	DIODE MA8180-M-TX	
C818	1-126-933-11	ELECT	100uF 20% 16V	D606	8-719-072-70	DIODE MA2ZD14001S0	
C819	1-126-933-11	ELECT	100uF 20% 16V	D607	6-501-571-01	DIODE 1N5404-C311-3	
C820	1-165-908-11	CERAMIC CHIP	1uF 10% 10V	D702	8-719-057-80	DIODE MA8180-M-TX	
C890	1-162-964-11	CERAMIC CHIP	0.001uF 10% 50V	D703	8-719-977-12	DIODE DTZ6.8B	
C891	1-162-964-11	CERAMIC CHIP	0.001uF 10% 50V	D704	8-719-057-80	DIODE MA8180-M-TX	
C892	1-165-908-11	CERAMIC CHIP	1uF 10% 10V	D706	8-719-057-80	DIODE MA8180-M-TX	
C905	1-162-964-11	CERAMIC CHIP	0.001uF 10% 50V	D707	8-719-057-80	DIODE MA8180-M-TX	
C921	1-165-908-11	CERAMIC CHIP	1uF 10% 10V	D801	8-719-420-90	DIODE MA8051-M	
C924	1-165-908-11	CERAMIC CHIP	1uF 10% 10V	D802	6-501-657-01	DIODE MA24D5000BS0	
C951	1-165-908-11	CERAMIC CHIP	1uF 10% 10V	D804	6-500-522-01	DIODE 10EDB40-TA1B2	
C953	1-216-864-11	SHORT CHIP	0	D901	8-719-057-80	DIODE MA8180-M-TX	
< CONNECTOR >				< IC >			
CN300	1-774-701-21	PIN, CONNECTOR 16P		IC50	6-803-747-01	IC TDA7333013TR	
CN350	1-820-611-11	CONNECTOR, BOARD TO BOARD 28P		IC300	6-705-359-02	IC TDA8588AJ/N2/R1 (RU)	
CN352	1-564-719-11	PIN, CONNECTOR (SMALL TYPE) 3P		IC300	6-705-359-11	IC TDA8588AJ/N2/R1/M5 (AEP,UK)	
CN370	1-820-621-11	SOCKET, CONNECTOR 24P		IC401	6-710-065-01	IC BD3442FS-E2	
CNJ400	1-580-907-41	PLUG, CONNECTOR 8P (BUS CONTROL IN)		IC501	6-807-100-01	IC MB90F046PF-G-101E1	
< DIODE >				IC601	6-703-884-01	IC BA8271F-E2	
D2	8-719-977-03	DIODE DTZ5.6B		IC602	6-709-458-01	IC XC61CN2802NR	
D101	8-719-988-61	DIODE 1SS355TE-17		IC681	6-704-529-01	IC XC6206P332PR	
D102	8-719-988-61	DIODE 1SS355TE-17		IC801	6-709-213-01	IC NJM2387ADL3(TE2)	
D103	8-719-977-12	DIODE DTZ6.8B		IC802	6-709-213-01	IC NJM2387ADL3(TE2)	
D104	8-719-977-12	DIODE DTZ6.8B		IC803	6-707-911-01	IC BD9778HFP	
D105	8-719-977-12	DIODE DTZ6.8B		IC804	6-710-624-01	IC TPS2051BDRG4	

# CDX-GT410U/GT414U

**MAIN**

Ref. No.	Part No.	Description	Remark	Ref. No.	Part No.	Description	Remark
		< JACK >					
J1	1-815-185-13	JACK (ANTENNA)		JC929	1-216-296-11	SHORT CHIP	0
J652	1-774-699-12	JACK, PIN 4P (BUS AUDIO IN, AUDIO OUT REAR/SUB)		JC930	1-216-864-11	SHORT CHIP	0
		< JUMPER RESISTOR >		JC931	1-216-864-11	SHORT CHIP	0
JC1	1-216-864-11	SHORT CHIP	0	JC932	1-216-864-11	SHORT CHIP	0
JC4	1-216-296-11	SHORT CHIP	0	JC933	1-216-864-11	SHORT CHIP	0
JC5	1-216-296-11	SHORT CHIP	0	JC934	1-216-296-11	SHORT CHIP	0
JC8	1-216-296-11	SHORT CHIP	0	JC935	1-216-296-11	SHORT CHIP	0
JC9	1-216-864-11	SHORT CHIP	0	JC936	1-216-296-11	SHORT CHIP	0
JC10	1-216-296-11	SHORT CHIP	0	JC938	1-216-296-11	SHORT CHIP	0
JC11	1-216-864-11	SHORT CHIP	0	JC939	1-216-296-11	SHORT CHIP	0
JC12	1-216-296-11	SHORT CHIP	0	JC940	1-216-296-11	SHORT CHIP	0
JC14	1-216-296-11	SHORT CHIP	0	JC941	1-216-864-11	SHORT CHIP	0
JC16	1-216-296-11	SHORT CHIP	0	JC942	1-216-864-11	SHORT CHIP	0
JC17	1-216-864-11	SHORT CHIP	0	JC943	1-216-296-11	SHORT CHIP	0
JC18	1-216-864-11	SHORT CHIP	0			< COIL >	
JC19	1-216-296-11	SHORT CHIP	0	L1	1-216-295-11	SHORT CHIP	0
JC21	1-216-296-11	SHORT CHIP	0	L2	1-216-809-11	METAL CHIP	100 5%
JC22	1-216-296-11	SHORT CHIP	0	L3	1-216-809-11	METAL CHIP	100 5%
JC23	1-216-296-11	SHORT CHIP	0	L4	1-216-864-11	SHORT CHIP	0
JC24	1-216-864-11	SHORT CHIP	0	L50	1-216-295-11	SHORT CHIP	0
JC28	1-216-864-11	SHORT CHIP	0	L151	1-500-245-11	INDUCTOR, FERRITE BEAD	
JC29	1-216-296-11	SHORT CHIP	0	L300	1-456-617-11	COIL, CHOKE	
JC30	1-216-296-11	SHORT CHIP	0	L401	1-216-864-11	SHORT CHIP	0
JC31	1-216-296-11	SHORT CHIP	0	L402	1-216-295-11	SHORT CHIP	0
JC32	1-216-296-11	SHORT CHIP	0	L403	1-216-295-11	SHORT CHIP	0
JC33	1-216-296-11	SHORT CHIP	0	L405	1-469-876-11	INDUCTOR, FERRITE BEAD	
JC36	1-216-864-11	SHORT CHIP	0	L406	1-500-245-11	INDUCTOR, FERRITE BEAD	
JC38	1-216-296-11	SHORT CHIP	0	L407	1-216-864-11	SHORT CHIP	0
JC401	1-216-296-11	SHORT CHIP	0	L409	1-469-844-11	INDUCTOR	2.2uH
JC705	1-216-296-11	SHORT CHIP	0	L410	1-216-864-11	SHORT CHIP	0
JC810	1-216-296-11	SHORT CHIP	0	L411	1-216-864-11	SHORT CHIP	0
JC811	1-216-296-11	SHORT CHIP	0	L501	1-216-864-11	SHORT CHIP	0
JC901	1-216-864-11	SHORT CHIP	0	L802	1-416-831-11	INDUCTOR	100uH
JC902	1-216-296-11	SHORT CHIP	0	L803	1-457-384-11	COIL, CHOKE	47uH
JC903	1-216-296-11	SHORT CHIP	0	L804	1-216-295-11	SHORT CHIP	0
JC904	1-216-864-11	SHORT CHIP	0	L805	1-216-295-11	SHORT CHIP	0
JC905	1-216-864-11	SHORT CHIP	0	L818	1-457-383-11	COIL, CHOKE	100uH
JC906	1-216-296-11	SHORT CHIP	0	L901	1-216-295-11	SHORT CHIP	0
JC907	1-216-864-11	SHORT CHIP	0	L902	1-469-844-11	INDUCTOR	2.2uH
JC909	1-216-296-11	SHORT CHIP	0			< TRANSISTOR >	
JC910	1-216-864-11	SHORT CHIP	0	Q1	8-729-027-43	TRANSISTOR	DTC114EKA-T146
JC911	1-216-296-11	SHORT CHIP	0	Q3	6-551-431-01	TRANSISTOR	2SC6027T100-QR
JC912	1-216-296-11	SHORT CHIP	0	Q50	8-729-600-22	TRANSISTOR	2SA1235-F
JC913	1-216-864-11	SHORT CHIP	0	Q401	8-729-027-44	TRANSISTOR	DTC114TKA-T146
JC914	1-216-864-11	SHORT CHIP	0	Q402	8-729-027-44	TRANSISTOR	DTC114TKA-T146
JC920	1-216-864-11	SHORT CHIP	0	Q411	8-729-027-43	TRANSISTOR	DTC114EKA-T146
JC921	1-216-864-11	SHORT CHIP	0	Q412	8-729-027-23	TRANSISTOR	DTA114EKA-T146
JC922	1-216-864-11	SHORT CHIP	0	Q420	8-729-027-44	TRANSISTOR	DTC114TKA-T146
JC923	1-216-864-11	SHORT CHIP	0	Q432	6-550-752-01	TRANSISTOR	DTC614TKT146
JC924	1-216-296-11	SHORT CHIP	0	Q440	8-729-027-44	TRANSISTOR	DTC114TKA-T146
JC926	1-216-296-11	SHORT CHIP	0	Q452	6-550-752-01	TRANSISTOR	DTC614TKT146
JC927	1-216-864-11	SHORT CHIP	0	Q460	8-729-027-44	TRANSISTOR	DTC114TKA-T146
JC928	1-216-296-11	SHORT CHIP	0	Q470	8-729-027-44	TRANSISTOR	DTC114TKA-T146
				Q491	8-729-027-23	TRANSISTOR	DTA114EKA-T146
				Q492	8-729-027-43	TRANSISTOR	DTC114EKA-T146
				Q605	8-729-027-43	TRANSISTOR	DTC114EKA-T146



Ref. No.	Part No.	Description	Remark			Ref. No.	Part No.	Description	Remark		
Q664	8-729-027-23	TRANSISTOR	DTA114EKA-T146			R450	1-216-833-11	METAL CHIP	10K	5%	1/10W
Q701	8-729-120-28	TRANSISTOR	2SC1623-L5L6			R451	1-216-809-11	METAL CHIP	100	5%	1/10W
Q702	8-729-120-28	TRANSISTOR	2SC1623-L5L6			R452	1-216-809-11	METAL CHIP	100	5%	1/10W
Q805	8-729-027-43	TRANSISTOR	DTC114EKA-T146			R460	1-216-809-11	METAL CHIP	100	5%	1/10W
		< RESISTOR >				R461	1-216-821-11	METAL CHIP	1K	5%	1/10W
R1	1-216-809-11	METAL CHIP	100	5%	1/10W	R462	1-216-833-11	METAL CHIP	10K	5%	1/10W
R2	1-216-839-11	METAL CHIP	33K	5%	1/10W	R470	1-216-809-11	METAL CHIP	100	5%	1/10W
R3	1-216-843-11	METAL CHIP	68K	5%	1/10W	R471	1-216-821-11	METAL CHIP	1K	5%	1/10W
R4	1-216-839-11	METAL CHIP	33K	5%	1/10W	R472	1-216-833-11	METAL CHIP	10K	5%	1/10W
R5	1-216-843-11	METAL CHIP	68K	5%	1/10W	R485	1-218-883-11	METAL CHIP	33K	0.5%	1/10W
R6	1-216-809-11	METAL CHIP	100	5%	1/10W	R491	1-216-805-11	METAL CHIP	47	5%	1/10W
R7	1-216-809-11	METAL CHIP	100	5%	1/10W	R493	1-216-864-11	SHORT CHIP	0		
R8	1-216-839-11	METAL CHIP	33K	5%	1/10W	R502	1-216-809-11	METAL CHIP	100	5%	1/10W
R9	1-216-843-11	METAL CHIP	68K	5%	1/10W	R503	1-216-809-11	METAL CHIP	100	5%	1/10W
R10	1-216-821-11	METAL CHIP	1K	5%	1/10W	R504	1-218-871-11	METAL CHIP	10K	0.5%	1/10W
R12	1-216-864-11	SHORT CHIP	0			R505	1-218-871-11	METAL CHIP	10K	0.5%	1/10W
R13	1-216-864-11	SHORT CHIP	0			R509	1-216-809-11	METAL CHIP	100	5%	1/10W
R15	1-216-864-11	SHORT CHIP	0			R510	1-216-809-11	METAL CHIP	100	5%	1/10W
R52	1-216-845-11	METAL CHIP	100K	5%	1/10W	R511	1-216-809-11	METAL CHIP	100	5%	1/10W
R53	1-216-797-11	METAL CHIP	10	5%	1/10W	R517	1-216-841-11	METAL CHIP	47K	5%	1/10W
R54	1-414-595-11	INDUCTOR, FERRITE BEAD				R519	1-216-845-11	METAL CHIP	100K	5%	1/10W
R55	1-216-797-11	METAL CHIP	10	5%	1/10W	R520	1-216-809-11	METAL CHIP	100	5%	1/10W
R57	1-216-833-11	METAL CHIP	10K	5%	1/10W	R521	1-216-825-11	METAL CHIP	2.2K	5%	1/10W
R58	1-216-821-11	METAL CHIP	1K	5%	1/10W	R522	1-216-825-11	METAL CHIP	2.2K	5%	1/10W
R60	1-216-864-11	SHORT CHIP	0			R523	1-216-809-11	METAL CHIP	100	5%	1/10W
R61	1-216-864-11	SHORT CHIP	0			R526	1-216-845-11	METAL CHIP	100K	5%	1/10W
R150	1-216-864-11	SHORT CHIP	0			R529	1-216-809-11	METAL CHIP	100	5%	1/10W
R151	1-216-817-11	METAL CHIP	470	5%	1/10W	R531	1-216-841-11	METAL CHIP	47K	5%	1/10W
R152	1-216-817-11	METAL CHIP	470	5%	1/10W	R532	1-216-845-11	METAL CHIP	100K	5%	1/10W
R153	1-216-834-11	METAL CHIP	12K	5%	1/10W	R533	1-216-845-11	METAL CHIP	100K	5%	1/10W
R154	1-216-834-11	METAL CHIP	12K	5%	1/10W	R534	1-216-833-11	METAL CHIP	10K	5%	1/10W
R155	1-216-825-11	METAL CHIP	2.2K	5%	1/10W	R536	1-216-845-11	METAL CHIP	100K	5%	1/10W
R156	1-216-864-11	SHORT CHIP	0			R537	1-216-845-11	METAL CHIP	100K	5%	1/10W
R157	1-216-864-11	SHORT CHIP	0			R540	1-216-845-11	METAL CHIP	100K	5%	1/10W
R158	1-216-864-11	SHORT CHIP	0			R544	1-216-809-11	METAL CHIP	100	5%	1/10W
R301	1-216-811-11	METAL CHIP	150	5%	1/10W	R551	1-216-845-11	METAL CHIP	100K	5%	1/10W
R302	1-216-841-11	METAL CHIP	47K	5%	1/10W	R552	1-216-845-11	METAL CHIP	100K	5%	1/10W
R351	1-216-845-11	METAL CHIP	100K	5%	1/10W	R553	1-216-839-11	METAL CHIP	33K	5%	1/10W
R354	1-216-864-11	SHORT CHIP	0			R555	1-216-845-11	METAL CHIP	100K	5%	1/10W
R355	1-216-833-11	METAL CHIP	10K	5%	1/10W	R556	1-216-845-11	METAL CHIP	100K	5%	1/10W
R356	1-216-833-11	METAL CHIP	10K	5%	1/10W	R557	1-216-809-11	METAL CHIP	100	5%	1/10W
R357	1-216-821-11	METAL CHIP	1K	5%	1/10W	R558	1-216-833-11	METAL CHIP	10K	5%	1/10W
R358	1-216-821-11	METAL CHIP	1K	5%	1/10W	R559	1-216-845-11	METAL CHIP	100K	5%	1/10W
R401	1-216-817-11	METAL CHIP	470	5%	1/10W	R561	1-216-845-11	METAL CHIP	100K	5%	1/10W
R402	1-216-817-11	METAL CHIP	470	5%	1/10W	R563	1-216-845-11	METAL CHIP	100K	5%	1/10W
R403	1-216-837-11	METAL CHIP	22K	5%	1/10W	R564	1-216-845-11	METAL CHIP	100K	5%	1/10W
R404	1-216-837-11	METAL CHIP	22K	5%	1/10W	R565	1-216-845-11	METAL CHIP	100K	5%	1/10W
R411	1-216-864-11	SHORT CHIP	0			R567	1-216-845-11	METAL CHIP	100K	5%	1/10W
R420	1-216-809-11	METAL CHIP	100	5%	1/10W	R568	1-216-849-11	METAL CHIP	220K	5%	1/10W
R421	1-216-821-11	METAL CHIP	1K	5%	1/10W	R570	1-216-809-11	METAL CHIP	100	5%	1/10W
R430	1-216-809-11	METAL CHIP	100	5%	1/10W	R573	1-216-845-11	METAL CHIP	100K	5%	1/10W
R431	1-216-809-11	METAL CHIP	100	5%	1/10W	R591	1-216-864-11	SHORT CHIP	0		
R440	1-216-809-11	METAL CHIP	100	5%	1/10W	R592	1-216-809-11	METAL CHIP	100	5%	1/10W
R442	1-216-821-11	METAL CHIP	1K	5%	1/10W	R593	1-216-809-11	METAL CHIP	100	5%	1/10W
R447	1-216-833-11	METAL CHIP	10K	5%	1/10W	R595	1-216-833-11	METAL CHIP	10K	5%	1/10W
R448	1-216-833-11	METAL CHIP	10K	5%	1/10W	R596	1-216-833-11	METAL CHIP	10K	5%	1/10W
R449	1-216-833-11	METAL CHIP	10K	5%	1/10W	R597	1-216-864-11	SHORT CHIP	0		
						R598	1-216-864-11	SHORT CHIP	0		

# CDX-GT410U/GT414U

**MAIN** **SERVO**

Ref. No.	Part No.	Description	Remark
R599	1-216-864-11	SHORT CHIP	0
R600	1-216-845-11	METAL CHIP	100K 5% 1/10W
R601	1-216-851-11	METAL CHIP	330K 5% 1/10W
R602	1-216-851-11	METAL CHIP	330K 5% 1/10W
R603	1-216-821-11	METAL CHIP	1K 5% 1/10W
R604	1-216-835-11	METAL CHIP	15K 5% 1/10W
R606	1-216-821-11	METAL CHIP	1K 5% 1/10W
R607	1-216-821-11	METAL CHIP	1K 5% 1/10W
R611	1-216-864-11	SHORT CHIP	0
R612	1-216-809-11	METAL CHIP	100 5% 1/10W
R615	1-216-809-11	METAL CHIP	100 5% 1/10W
R616	1-216-864-11	SHORT CHIP	0
R636	1-216-845-11	METAL CHIP	100K 5% 1/10W
R671	1-216-809-11	METAL CHIP	100 5% 1/10W
R672	1-216-809-11	METAL CHIP	100 5% 1/10W
R673	1-218-871-11	METAL CHIP	10K 0.5% 1/10W
R674	1-216-845-11	METAL CHIP	100K 5% 1/10W
R701	1-216-821-11	METAL CHIP	1K 5% 1/10W
R702	1-216-841-11	METAL CHIP	47K 5% 1/10W
R703	1-216-833-11	METAL CHIP	10K 5% 1/10W
R704	1-216-833-11	METAL CHIP	10K 5% 1/10W
R705	1-249-425-11	CARBON	4.7K 5% 1/4W
R706	1-216-841-11	METAL CHIP	47K 5% 1/10W
R707	1-216-841-11	METAL CHIP	47K 5% 1/10W
R708	1-216-829-11	METAL CHIP	4.7K 5% 1/10W
R709	1-216-833-11	METAL CHIP	10K 5% 1/10W
R710	1-216-864-11	SHORT CHIP	0
R800	1-216-829-11	METAL CHIP	4.7K 5% 1/10W
R802	1-216-825-11	METAL CHIP	2.2K 5% 1/10W
R803	1-216-825-11	METAL CHIP	2.2K 5% 1/10W
R809	1-216-821-11	METAL CHIP	1K 5% 1/10W
R810	1-216-832-11	METAL CHIP	8.2K 5% 1/10W
R811	1-216-821-11	METAL CHIP	1K 5% 1/10W
R812	1-216-822-11	METAL CHIP	1.2K 5% 1/10W
R813	1-216-821-11	METAL CHIP	1K 5% 1/10W
R814	1-216-823-11	METAL CHIP	1.5K 5% 1/10W
R815	1-216-829-11	METAL CHIP	4.7K 5% 1/10W
R816	1-218-883-11	METAL CHIP	33K 0.5% 1/10W
R817	1-218-869-11	METAL CHIP	8.2K 0.5% 1/10W
R818	1-218-878-11	METAL CHIP	20K 0.5% 1/10W
R819	1-216-844-11	METAL CHIP	82K 5% 1/10W
R820	1-216-851-11	METAL CHIP	330K 5% 1/10W
R890	1-216-864-11	SHORT CHIP	0
R891	1-216-864-11	SHORT CHIP	0
R901	1-216-809-11	METAL CHIP	100 5% 1/10W
R902	1-216-809-11	METAL CHIP	100 5% 1/10W
R903	1-216-809-11	METAL CHIP	100 5% 1/10W
R910	1-216-864-11	SHORT CHIP	0
R912	1-216-864-11	SHORT CHIP	0
R913	1-216-864-11	SHORT CHIP	0
R914	1-216-190-00	RES-CHIP	470 5% 1/8W
R915	1-216-190-00	RES-CHIP	470 5% 1/8W
R916	1-216-190-00	RES-CHIP	470 5% 1/8W
R917	1-216-845-11	METAL CHIP	100K 5% 1/10W
R918	1-216-864-11	SHORT CHIP	0
R919	1-216-864-11	SHORT CHIP	0
R920	1-216-864-11	SHORT CHIP	0
R923	1-216-864-11	SHORT CHIP	0

Ref. No.	Part No.	Description	Remark
R924	1-216-845-11	METAL CHIP	100K 5% 1/10W
R925	1-216-864-11	SHORT CHIP	0
R926	1-216-864-11	SHORT CHIP	0
R927	1-216-864-11	SHORT CHIP	0
R951	1-216-797-11	METAL CHIP	10 5% 1/10W
R952	1-216-797-11	METAL CHIP	10 5% 1/10W
R961	1-216-864-11	SHORT CHIP	0
< SWITCH >			
S103	1-786-826-11	SWITCH, TACTILE (RESET)	
< THERMISTOR (POSITIVE) >			
TH400	1-803-350-21	THERMISTOR, POSITIVE	
< TUNER UNIT >			
TU1	A-3220-961-B	TUNER UNIT (TUX-032)	
< VIBRATOR >			
X50	1-813-173-11	VIBRATOR, CRYSTAL (8.664MHz)	
X501	1-813-524-21	VIBRATOR, CERAMIC (18.432MHz)	
X502	1-813-202-11	VIBRATOR, CRYSTAL (32.768kHz)	
*****			
A-1206-357-A SERVO BOARD, COMPLETE			
*****			
MISCELLANEOUS			
*****			
7	1-831-838-11	CORD (WITH CONNECTOR) (ISO) (POWER)	
△ 103	X-2149-672-1	SERVICE ASSY, OP (DAX-25A)	
CN902	1-820-877-11	CONNECTOR, USB (SOCKET) (USB)	
F901	1-532-877-11	FUSE (BLADE TYPE) (AUTO FUSE) 10A	
*****			
ACCESSORIES			
*****			
1-479-077-13		REMOTE COMMANDER (RM-X151)	
2-548-729-01		LID, BATTERY CASE (for RM-X151)	
2-890-967-31		MANUAL, INSTRUCTION (ENGLISH,GERMAN, FRENCH,ITALIAN,DUTCH)	
2-890-967-61		MANUAL, INSTRUCTION (RUSSIAN) (RU)	
2-890-968-31		MANUAL, INSTRUCTION, INSTALL (ENGLISH, GERMAN,FRENCH,ITALIAN,DUTCH)	
2-890-968-61		MANUAL, INSTRUCTION, INSTALL (RUSSIAN) (RU)	
X-2149-228-2		CASE ASSY (for FRONT PANEL)	
*****			

Ref. No.	Part No.	Description	Remark
PARTS FOR INSTALLATION AND CONNECTIONS			
*****			
151	X-3382-647-1	FRAME ASSY, FITTING	
152	2-686-803-01	COLLAR	
153	3-246-471-01	KEY (FRAME)	
154	X-3382-926-1	SCREW ASSY (BS), FITTING	
155	3-349-410-11	BUSHING	
156	1-465-459-31	ADAPTOR, ANTENNA	
157	1-831-838-11	CORD (WITH CONNECTOR) (ISO) (POWER)	

