

SHARP PARTS GUIDE

MODEL CD-C421H

CP-C421H and SURROUND
(GBOXS00018AWZZ) Constitute CD-C421H.

CD-C411H

CP-C411H Constitute CD-C411H.

"HOW TO ORDER REPLACEMENT PARTS"

To have your order filled promptly and correctly, please furnish the following information.

- | | |
|-----------------|----------------|
| 1. MODEL NUMBER | 2. REF. No. |
| 3. PART NO. | 4. DESCRIPTION |

★ MARK: SPARE PARTS-DELIVERY SECTION

For U.S.A. only

Contact your nearest SHARP Parts Distributor to order.

For location of SHARP Parts Distributor,
Please call Toll-Free;
1-800-BE-SHARP

Explanation of capacitors/resistors parts codes

Capacitors

VCC	Ceramic type
VCK	Ceramic type
VCT	Semiconductor type
VC •• MF	Cylindrical type (without lead wire)
VC •• MN	Cylindrical type (without lead wire)
VC •• TV	Square type (without lead wire)
VC •• TQ	Square type (without lead wire)
VC •• CY	Square type (without lead wire)
VC •• CZ	Square type (without lead wire)
VC ••••• J ..	The 13th character represents capacity difference. ("J" ±5%, "K" ±10%, "M" ±20%, "N" ±30%, "C" ±0.25 pF, "D" ±0.5 pF, "Z" +80-20%.)

If there are no indications for the electrolytic capacitors, error is ±20%.

Resistors

VRD	Carbon-film type
VRS	Carbon-film type
VRN	Metal-film type
VR •• MF	Cylindrical type (without lead wire)
VR •• MN	Cylindrical type (without lead wire)
VR •• TV	Square type (without lead wire)
VR •• TQ	Square type (without lead wire)
VR •• CY	Square type (without lead wire)
VR •• CZ	Square type (without lead wire)
VR ••••• J ..	The 13th character represents error. ("J" ±5%, "F" ±1%, "D" ±0.5%.)

If there are no indications for other parts, the resistors are ±5% carbon-film type.

NOTE:

Parts marked with "⚠" are important for maintaining the safety of the set.

Be sure to replace parts with specified ones for maintaining the safety and performance of the set.

CD-C421H, CD-C411H

CIRCUITOS INTEGRADOS

IC1	VHILA9241M/-1	J AS	Servo Amp.,LA9241M
IC2	VHILC78622K-1	J AY	Servo/Signal Control,LC78622K
IC5	VHIM56748FP-1	J AR	Focus/Tracking/Spin/Slide Driver,M56748FP
IC91	VHITA7291S/-1	J AH	Loading Motor Driver, TA7291S
IC302	VHILC72131/-1	J AP	PLL (Tuner) LC72131
IC303	VHILA1832/-1	J AR	FM IF Det./FM Mpx./ AM IF,LA1832
IC401	VHILC75394E-1	J AX	Audio Processor LC75394E
IC501	VHIAN7345K/-1	J AM	Playback and Record/ Playback,AN7345K
IC601	RH-IX0225AWZZ	J BC	Main System Microcomputer,IX0225AW
IC701	RH-IX0223AWZZ	J BC	System Microcomputer,IX0223AW
IC941	VHIKIA7812P-1	J AE	Voltage Regulator,KIA7812P
IC942	VHIKIA7805P-1	J AF	Voltage Regulator,KIA7805P
IC961	VHILA4450/-1	J AH	Power Amp.,LA4450 [CD-C421H]
IC961	VHILA4451/-1	J AN	Power Amp.,LA4451 [CD-C411H]
ICT21	VHILC72720/-1	J AW	RDS Decoder,LC72720

TRANSISTORES

Q1	VSKTA1266GR-1	J AB	Silicon,PNP,KTA1266 GR
Q91	VSKTA1271Y/-1	J AC	Silicon,PNP,KTA1271 Y
Q93	VSKRC102M/-1	J AC	Digital,NPN,KRC102 M
Q301	VS2SC380-O/-1	J AC	Silicon,NPN,2SC380 O
Q353,354	VSKTC3199GR-1	J AB	Silicon,NPN,KTC3199 GR
Q360	VSKTA1266GR-1	J AB	Silicon,PNP,KTA1266 GR
Q361	VSKRC107M/-1	J AC	Digital,NPN,KRC107 M
Q371	VSKTA1266GR-1	J AB	Silicon,PNP,KTA1266 GR
Q511~514	VS2SC1845F/-1	J AC	Silicon,NPN,2SC1845 F
Q515,516	VSKTC3199GR-1	J AB	Silicon,NPN,KTC3199 GR
Q565	VSKRC104M/-1	J AC	Digital,NPN,KRC104 M
Q566	VSKTA1266GR-1	J AB	Silicon,PNP,KTA1266 GR
Q571	VSKTC3203Y/-1	J AC	Silicon,NPN,KTC3203 Y
Q575,576	VSKTC3199GR-1	J AB	Silicon,NPN,KTC3199 GR
Q581	VSKTA1266GR-1	J AB	Silicon,PNP,KTA1266 GR
Q582,583	VSKRC104M/-1	J AC	Digital,NPN,KRC104 M
Q584	VSKTC3199GR-1	J AB	Silicon,NPN,KTC3199 GR
Q601	VSKTA1273Y/-1	J AE	Silicon,PNP,KTA1273 Y
Q602	VS2SB561-C/-1	J AC	Silicon,PNP,2SB561 C
Q701	VSKRC107M/-1	J AC	Digital,NPN,KRC107 M
Q702	VSKRC102M/-1	J AC	Digital,NPN,KRC102 M
Q703,704	VSKTC3199GR-1	J AB	Silicon,NPN,KTC3199 GR
Q901	VSKTA1266GR-1	J AB	Silicon,PNP,KTA1266 GR
Q941	VS2SD2012Y/-1	J AF	Silicon,NPN,2SD2012 Y
QT21	VSKTC3199GR-1	J AB	Silicon,NPN,KTC3199 GR

DIODOS

D2	VHD1SS133/-1	J AA	Silicon,1SS133
D6	VHD1SS133/-1	J AA	Silicon,1SS133
D7	VHD1SS133/-1	J AA	Silicon,1SS133
D81	VHD1SS133/-1	J AA	Silicon,1SS133
D91	VHD1SS133/-1	J AA	Silicon,1SS133
D301~304	VHD1SS133/-1	J AA	Silicon,1SS133
D351~353	VHD1SS133/-1	J AA	Silicon,1SS133
D401	VHD1SS133/-1	J AA	Silicon,1SS133
D601,602	VHD1SS133/-1	J AA	Silicon,1SS133
D701~705	VHD1SS133/-1	J AA	Silicon,1SS133
D901~904	VHDL203F/-1	J AE	Silicon,RL203F [CD-C411H]
D901~904	VHD1N5402M/-1	J AE	Silicon,1N5402M [CD-C421H]
D905~908	VHDL104A/-1	J AB	Silicon,RL104A
D909~911	VHDL104A/-1	J AB	Silicon,RL104A
D941~943	VHD1SS133/-1	J AA	Silicon,1SS133
VD301	VHCKV1236Z23F	J AS	Variable Capacitance,KV1236Z23F
ZD352	VHEMTZJ3R9B-1	J AC	Zener,3.9V,MTZJ3.9B
ZD701	VHEMTZJ3R9B-1	J AC	Zener,3.9V,MTZJ3.9B
ZD901	VHEMTZJ6R2A-1	J AA	Zener,6.2V,MTZJ6.2A
ZD902	VHEMTZJ300B-1	J AB	Zener,30V,MTZJ30B
ZDT21	VHEMTZJ5R1B-1	J AC	Zener,5.1V,MTZJ5.1B
ZDT351	VHEMTZJ5R1B-1	J AC	Zener,5.1V,MTZJ5.1B

FILTROS

CF301,302	RFILF0072AFZZ	J AG	FM IF
CF351	RFILF0003AWZZ	J AK	FM IF
CF352	RFILA0009AWZZ	J AE	AM IF

TRANSFORMADORES

PT901	RTRNP0218AWZZ	J BF	Power [CD-C421H]
PT901	RTRNP0220AWZZ	J	Power [CD-C411H]
T302	RCILA1064AFZZ	J AD	AM Antenna
T306	RCILB1074AFZZ	J AC	OSC,AM

T351 RCIL0011AWZZ J AD AM IF

BOBINAS

L1	VP-CH270K0000	J AB	2.7 µH,Choke
L341	RBLN-0001AWZZ	J AD	Balun
L342	VP-DH2R2K0000	J AB	2.2 mmH,Peaking
L351,352	VP-DH101K0000	J AB	100 µH,Choke
L353	VP-DH102K0000	J AB	1 mH,Choke
L354	RFILL0001AWZZ	J AE	Low Pass Filter
L501	VP-DH331K0000	J AB	330 µH
L601	VP-CH101K0000	J AB	100 µH,Choke
L701	VP-DH101K0000	J AB	100 µH,Choke
L702	VP-XHR82K0000	J AC	0.82 µH
L901	RCILZ0008AWZZ	J AH	Core
L942	VP-DH1R5K0000	J AC	1.5 µH
L961,962	RCILZ0137AFZZ	J AA	0.29 µH
L963	VP-DH2R2K0000	J AB	2.2 mmH,Peaking
LT21,22	VP-XH2R2K0000	J AB	2.2 µH,Choke

POTENCIOMETRO

VR351	RVR-M0026AWZZ	J AC	10 kohm (B),Semi-VR [FM Mute Level]
-------	---------------	------	-------------------------------------

CRISTALES

X351	92LCRSTL1425A	J AF	Crystal,456 kHz
X352	RCRSP0002AWZZ	J AH	Crystal,4.5 MHz
XL1	92LCRSTL1746AT	J AH	Crystal,16.93 MHz
XL601	92LCRSTL-1595A	J AE	Crystal,4.19 MHz
XL701	RCRSP0003AWZZ	J AH	Crystal,4.19 MHz
XT21	RCRSB0030AWZZ	J AH	Crystal,4.332 MHz

CONDENSADORES

C1	VCTYMN1CY103N	J AA	0.01 µF,16V
C2	VCEAZA1CW476M	J AB	47 µF,16V,Electrolytic
C3	VCEAZA1HW104M	J AB	0.1 µF,50V,Electrolytic
C4	VCKYMN1HB102K	J AA	0.001 µF,50V
C5,6	VCTYPA1CX333K	J AA	0.033 µF,16V
C7	VCEAZA1HW104M	J AB	0.1 µF,50V,Electrolytic
C8	VCTYPA1CX683K	J AA	0.068 µF,16V
C9	VCTYPA1CX473K	J AA	0.047 µF,16V
C10	VCKYMN1HB181K	J AA	180 pF,50V
C11	VCTYPA1CX104K	J AB	0.1 µF,16V
C12	VCKYMN1HB331K	J AA	330 pF,50V
C13	VCTYPA1CX104K	J AB	0.1 µF,16V
C14	VCTYMN1CY103K	J AA	0.01 µF,16V
C15	VCTYMN1CX472K	J AA	0.0047 µF,16V
C16	VCKYMN1HB102K	J AA	0.001 µF,50V
C17	VCEAZA1HW474M	J AB	0.47 µF,50V,Electrolytic
C18	VCEAZA1HW105M	J AB	1 µF,50V,Electrolytic
C19	VCEAZA1CW476M	J AB	47 µF,16V,Electrolytic
C20	VCTYMN1CX332K	J AA	0.033 µF,16V
C21	VCEAZA1HW105M	J AB	1 µF,50V,Electrolytic
C22	VCTYMN1CY103N	J AA	0.01 µF,16V
C24	VCEAZA1HW105M	J AB	1 µF,50V,Electrolytic
C25	VCTYMN1CY103N	J AA	0.01 µF,16V
C30	VCCSMN1HL2R2C	J AB	2.2 pF,50V
C31	VCTYMN1CX272K	J AA	0.0027 µF,16V
C32	VCCSMN1HL270J	J AA	27 pF,50V
C33	VCKYMN1HB102K	J AA	0.001 µF,50V
C34	VCTYPA1CX333K	J AA	0.033 µF,16V
C35	VCEAZA1HW104M	J AB	0.1 µF,50V,Electrolytic
C37	VCEAZA0JW227M	J AC	220 µF,6.3V,Electrolytic
C38	VCTYMN1CY103K	J AA	0.01 µF,16V
C39	VCEAZA1HW474M	J AB	0.47 µF,50V,Electrolytic
C40	VCEAZA1HW334M	J AB	0.33 µF,50V,Electrolytic
C41,42	VCTYPA1CX473K	J AA	0.047 µF,16V
C43,44	VCEAZA1AW107M	J AB	100 µF,10V,Electrolytic
C45	VCEAZA1EW475M	J AC	4.7 µF,25V,Electrolytic
C50	VCTYPA1CX104K	J AB	0.1 µF,16V
C51	VCTYMN1EF223Z	J AA	0.022 µF,25V
C52	VCEAZA1CW476M	J AB	47 µF,16V,Electrolytic
C53	VCKYMN1HB221K	J AA	220 pF,50V
C54~57	VCKYMN1HB101K	J AA	100 pF,50V
C59	VCKZPA1HF223Z	J AA	0.022 µF,50V
C67,68	VCEAZA1CW106M	J AC	10 µF,16V,Electrolytic
C69,70	VCKYMN1HB221K	J AA	220 pF,50V
C91	VCEAZA1CW476M	J AB	47 µF,16V,Electrolytic
C92	VCTYMN1EF223Z	J AA	0.022 µF,25V
C93,94	VCKYMN1HB102K	J AA	0.001 µF,50V
C96	VCKYBT1HB102K	J AA	0.001 µF,50V
C301	VCKYMN1HB102K	J AA	0.001 µF,50V
C321	VCEAZA1CW107M	J AC	100 µF,16V,Electrolytic
C323	VCTYMN1EF223Z	J AA	0.022 µF,25V
C330	VCCUMN1HJ100J	J AA	10 pF (UJ),50V
C331	VCKYPA1HF473Z	J AB	0.047 µF,50V
C332	VCTYMN1EF223Z	J AA	0.022 µF,25V
C334	VCCUMN1HJ180J	J AA	18 pF (UJ),50V
C335	VCCCMN1HH180J	J AA	18 pF (CH),50V

R36,37	VRD-MN2BD473J	J AA	47 kohms,1/8W	R570	VRD-MN2BD473J	J AA	47 kohms,1/8W
R38	VRD-MN2BD333J	J AA	33 kohms,1/8W	R571	VRD-MN2BD120J	J AA	12 ohms,1/8W
R39	VRD-ST2CD223J	J AA	22 kohms,1/6W	R575,576	VRD-MN2BD103J	J AA	10 kohm,1/8W
R40	VRD-MN2BD223J	J AA	22 kohms,1/8W	R577	VRD-ST2CD104J	J AA	100 kohm,1/6W
R41	VRD-MN2BD472J	J AA	4.7 kohms,1/8W	R578	VRD-MN2BD104J	J AA	100 kohm,1/8W
R42	VRD-MN2BD561J	J AA	560 ohms,1/8W	R581-584	VRD-MN2BD103J	J AA	10 kohm,1/8W
R43	VRD-MN2BD120J	J AA	12 ohms,1/8W	R585	VRD-MN2BD222J	J AA	2.2 kohms,1/8W
R45-47	VRD-MN2BD102J	J AA	1 kohm,1/8W	R601	VRD-ST2CD104J	J AA	100 kohm,1/6W
R54	VRD-ST2CD102J	J AA	1 kohm,1/6W	R602	VRD-MN2BD103J	J AA	10 kohm,1/8W
R56	VRD-MN2BD122J	J AA	1.2 kohms,1/8W	R603	VRD-MN2BD102J	J AA	1 kohm,1/8W
R57	VRD-MN2BD273J	J AA	27 kohms,1/8W	R604	VRD-MN2BD103J	J AA	10 kohm,1/8W
R58	VRD-MN2BD681J	J AA	680 ohms,1/8W	R605-620	VRD-MN2BD102J	J AA	1 kohm,1/8W
R60	VRD-MN2BD102J	J AA	1 kohm,1/8W	R621,622	VRD-ST2CD102J	J AA	1 kohm,1/6W
R61	VRD-MN2BD153J	J AA	15 kohms,1/8W	R623	VRD-MN2BD102J	J AA	1 kohm,1/8W
R70-72	VRD-ST2CD102J	J AA	1 kohm,1/6W	R624	VRD-ST2CD102J	J AA	1 kohm,1/6W
R73,74	VRD-MN2BD272J	J AA	2.7 kohms,1/8W	R625	VRD-ST2CD123J	J AA	12 kohms,1/6W
R75,76	VRD-MN2BD271J	J AA	270 ohms,1/8W	R626	VRD-ST2CD102J	J AA	1 kohm,1/6W
R77-79	VRD-ST2CD102J	J AA	1 kohm,1/6W	R627	VRD-MN2BD102J	J AA	1 kohm,1/8W
R82	VRD-MN2BD101J	J AA	100 ohm,1/8W	R628	VRD-ST2CD103J	J AA	10 kohm,1/6W
R86-88	VRD-MN2BD102J	J AA	1 kohm,1/8W	R629	VRD-MN2BD103J	J AA	10 kohm,1/8W
R95	VRD-MN2BD222J	J AA	2.2 kohms,1/8W	R630	VRD-MN2BD332J	J AA	3.3 kohms,1/8W
R96	VRD-MN2BD103J	J AA	10 kohm,1/8W	R631	VRD-MN2BD104J	J AA	100 kohm,1/8W
R97	VRD-MN2BD562J	J AA	5.6 kohms,1/8W	R632	VRD-MN2BD102J	J AA	1 kohm,1/8W
R98	VRD-MN2BD103J	J AA	10 kohm,1/8W	R633	VRD-ST2CD102J	J AA	1 kohm,1/6W
R99	VRD-ST2EE560J	J AA	56 ohms,1/4W	R634-636	VRD-MN2BD102J	J AA	1 kohm,1/8W
R301	VRD-MN2BD331J	J AA	330 ohms,1/8W	R637	VRD-ST2CD102J	J AA	1 kohm,1/6W
R319	VRD-MN2BD104J	J AA	100 kohm,1/8W	R638-643	VRD-MN2BD103J	J AA	10 kohm,1/8W
R323	VRD-MN2BD683J	J AA	68 kohms,1/8W	R644	VRD-MN2BD122J	J AA	1.2 kohms,1/8W
R324	VRD-MN2BD104J	J AA	100 kohm,1/8W	R701	VRD-MN2BD103J	J AA	10 kohm,1/8W
R336	VRD-ST2CD472J	J AA	4.7 kohms,1/6W	R702	VRD-MN2BD102J	J AA	1 kohm,1/8W
R344	VRD-MN2BD471J	J AA	470 ohms,1/8W	R703	VRD-MN2BD122J	J AA	1.2 kohms,1/8W
R345	VRD-MN2BD472J	J AA	4.7 kohms,1/8W	R705	VRD-MN2BD103J	J AA	10 kohm,1/8W
R346	VRD-MN2BD331J	J AA	330 ohms,1/8W	R706	VRD-MN2BD182J	J AA	1.8 kohms,1/8W
R347	VRD-MN2BD682J	J AA	6.8 kohms,1/8W	R707	VRD-MN2BD103J	J AA	10 kohm,1/8W
R348	VRD-MN2BD681J	J AA	680 ohms,1/8W	R708	VRD-MN2BD102J	J AA	1 kohm,1/8W
R349	VRD-ST2CD330J	J AA	33 ohms,1/6W	R709	VRD-MN2BD122J	J AA	1.2 kohms,1/8W
R350	VRD-ST2CD272J	J AA	2.7 kohms,1/6W	R710	VRD-MN2BD182J	J AA	1.8 kohms,1/8W
R351	VRD-MN2BD562J	J AA	5.6 kohms,1/8W	R711	VRD-MN2BD222J	J AA	2.2 kohms,1/8W
R352	VRD-MN2BD102J	J AA	1 kohm,1/8W	R712	VRD-MN2BD392J	J AA	3.9 kohms,1/8W
R353	VRD-MN2BD271J	J AA	270 ohms,1/8W	R713	VRD-MN2BD562J	J AA	5.6 kohms,1/8W
R354	VRD-ST2CD392J	J AA	3.9 kohms,1/6W	R714	VRD-MN2BD123J	J AA	12 kohms,1/8W
R355	VRD-MN2BD332J	J AA	3.3 kohms,1/8W	R715	VRD-MN2BD104J	J AA	100 kohm,1/8W
R356	VRD-MN2BD102J	J AA	1 kohm,1/8W	R716-719	VRD-ST2CD102J	J AA	1 kohm,1/6W
R357	VRD-ST2CD474J	J AA	470 kohms,1/6W	R720-725	VRD-MN2BD102J	J AA	1 kohm,1/8W
R358	VRD-MN2BD822J	J AA	8.2 kohms,1/8W	R726	VRD-ST2CD101J	J AA	100 ohm,1/6W
R359	VRD-MN2BD182J	J AA	1.8 kohms,1/8W	R727,728	VRD-ST2CD102J	J AA	1 kohm,1/8W
R360	VRD-MN2BD472J	J AA	4.7 kohms,1/8W	R729	VRD-MN2BD102J	J AA	1 kohm,1/8W
R361,362	VRD-MN2BD122J	J AA	1.2 kohms,1/8W	R730	VRD-MN2BD153J	J AA	15 kohms,1/8W
R363,364	VRD-MN2BD152J	J AA	1.5 kohms,1/8W	R731	VRD-MN2BD123J	J AA	12 kohms,1/8W
R365,366	VRD-MN2BD103J	J AA	10 kohm,1/8W	R732-737	VRD-ST2CD822J	J AA	8.2 kohms,1/6W
R367	VRD-MN2BD102J	J AA	1 kohm,1/8W	R738	VRD-MN2BD333J	J AA	33 kohms,1/8W
R368	VRD-ST2CD333J	J AA	33 kohms,1/6W	R739,740	VRD-ST2CD102J	J AA	1 kohm,1/6W
R369	VRD-MN2BD820J	J AA	82 ohms,1/8W	R741	VRD-MN2BD392J	J AA	3.9 kohms,1/8W
R370-374	VRD-MN2BD102J	J AA	1 kohm,1/8W	R744	VRD-MN2BD222J	J AA	2.2 kohms,1/8W
R376	VRD-MN2BD102J	J AA	1 kohm,1/8W	R745	VRD-MN2BD392J	J AA	3.9 kohms,1/8W
R377	VRD-ST2CD473J	J AA	47 kohms,1/6W	R746	VRD-ST2CD562J	J AA	5.6 kohms,1/6W
R378	VRD-MN2BD823J	J AA	82 kohms,1/8W	R747	VRD-ST2CD123J	J AA	12 kohms,1/6W
R379	VRD-MN2BD222J	J AA	2.2 kohms,1/8W	R748-750	VRD-ST2CD102J	J AA	1 kohm,1/6W
R380	VRD-MN2BD152J	J AA	1.5 kohms,1/8W	R751	VRD-MN2BD102J	J AA	1 kohm,1/8W
R381	VRD-MN2BD103J	J AA	10 kohm,1/8W	R752	VRD-ST2CD103J	J AA	10 kohm,1/6W
R382	VRD-ST2EE151J	J AA	150 ohms,1/4W	R754	VRD-MN2BD103J	J AA	10 kohm,1/8W
R383-385	VRD-MN2BD562J	J AA	5.6 kohms,1/8W	R756	VRD-ST2CD102J	J AA	1 kohm,1/6W
R387	VRD-MN2BD223J	J AA	22 kohms,1/8W	R759,760	VRD-MN2BD123J	J AA	12 kohms,1/8W
R391,392	VRD-ST2EE391J	J AA	390 ohms,1/4W	R764	VRD-MN2BD102J	J AA	1 kohm,1/8W
R393	VRD-ST2CD102J	J AA	1 kohm,1/6W	R765	VRD-MN2BD103J	J AA	10 kohm,1/8W
R395	VRD-ST2CD473J	J AA	47 kohms,1/6W	R766	VRD-MN2BD102J	J AA	1 kohm,1/8W
R401-408	VRD-MN2BD102J	J AA	1 kohm,1/8W	R767	VRD-MN2BD103J	J AA	10 kohm,1/8W
R411	VRD-ST2CD393J	J AA	39 kohms,1/6W	R768,769	VRD-MN2BD102J	J AA	1 kohm,1/8W
R412	VRD-MN2BD393J	J AA	39 kohms,1/8W	R770	VRD-ST2CD103J	J AA	10 kohm,1/6W
R413,414	VRD-MN2BD152J	J AA	15 kohms,1/8W	R788	VRD-MN2BD103J	J AA	10 kohm,1/8W
R415,416	VRD-MN2BD332J	J AA	3.3 kohms,1/8W	R789	VRD-ST2EE120J	J AA	12 ohms,1/4W
R417,418	VRD-MN2BD153J	J AA	15 kohms,1/8W	R790	VRD-MN2BD151J	J AA	150 ohms,1/8W
R420,421	VRD-MN2BD104J	J AA	100 kohm,1/8W	R791	VRD-MN2BD101J	J AA	100 ohm,1/8W
R425-427	VRD-ST2CD102J	J AA	1 kohm,1/6W	R792	VRD-MN2BD332J	J AA	3.3 kohms,1/8W
R431,432	VRD-ST2CD472J	J AA	4.7 kohms,1/6W	R793	VRD-MN2BD104J	J AA	100 kohm,1/8W
R501,502	VRD-MN2BD102J	J AA	1 kohm,1/8W	R794	VRD-MN2BD330J	J AA	33 ohms,1/8W
R510	VRD-ST2CD103J	J AA	10 kohm,1/6W	R795	VRD-MN2BD222J	J AA	2.2 kohms,1/8W
R511,512	VRD-MN2BD332J	J AA	3.3 kohms,1/8W	R796	VRD-MN2BD820J	J AA	82 ohms,1/8W
R513,514	VRD-MN2BD222J	J AA	2.2 kohms,1/8W	R797	VRD-MN2BD102J	J AA	1 kohm,1/8W
R515-518	VRD-MN2BD103J	J AA	10 kohm,1/8W	R798	VRD-MN2BD224J	J AA	220 kohms,1/8W
R519	VRD-MN2BD102J	J AA	1 kohm,1/8W	R901	VRD-ST2EE221J	J AA	220 ohms,1/4W
R520	VRD-ST2CD102J	J AA	1 kohm,1/6W	R902	VRD-ST2CD123J	J AA	12 kohms,1/6W
R531,532	VRD-MN2BD104J	J AA	100 kohm,1/8W	R903	VRD-ST2EE221J	J AA	220 ohms,1/4W
R533,534	VRD-MN2BD392J	J AA	3.9 kohms,1/8W	R904	VRD-ST2CD101J	J AA	100 ohm,1/6W
R535,536	VRD-ST2CD560J	J AA	56 ohms,1/6W	R905	VRD-ST2CD332J	J AA	3.3 kohms,1/6W
R537,538	VRD-MN2BD562J	J AA	5.6 kohms,1/8W	R906,907	VRD-ST2EE2R2J	J AA	2.2 ohms,1/4W
R539,540	VRD-MN2BD472J	J AA	4.7 kohms,1/8W	R941	VRD-MN2BD103J	J AA	10 kohm,1/8W
R41	VRD-MN2BD22	J AA	22 kohms,1/8W	R944	VRD-RT2HD1R0J	J AA	1 ohm,1/2W
R542	VRD-MN2BD683J	J AA	68 kohms,1/8W	R961,962	VRD-MN2BD333J	J AA	33 kohms,1/8W
R551,552	VRD-MN2BD472J	J AA	4.7 kohms,1/8W	R965,966	VRD-MN2BD102J	J AA	1 kohm,1/8W
R553,554	VRD-MN2BD682J	J AA	6.8 kohms,1/8W	R967,968	VRD-MN2BD221J	J AA	220 ohms,1/8W
R555,556	VRD-MN2BD561J	J AA	560 ohms,1/8W	R969	VRD-MN2BD103J	J AA	10 kohm,1/8W
R557,558	VRD-MN2BD560J	J AA	56 ohms,1/8W	R971,972	VRD-ST2EE4R7J	J AA	4.7 ohms,1/4W
R559-561	VRD-MN2BD103J	J AA	10 kohm,1/8W	R973	VRD-RT2HD271J	J AA	270 ohms,1/2W
R562	VRD-MN2BD102J	J AA	1 kohm,1/8W	R975	VRD-RT2HD271J	J AA	270 ohms,1/2W
R563	VRD-ST2EE471J	J AA	470 ohms,1/4W	R981,982	VRD-RT2HD331J	J AA	330 ohms,1/2W
R565	VRD-MN2BD102J	J AA	1 kohm,1/8W	R983	VRD-ST2EE2R2J	J AA	2.2 ohms,1/4W [CD-C411H]
R566,567	VRD-MN2BD472J	J AA	4.7 kohms,1/8W	R983	VRD-ST2EE3R3J	J AA	3.3 ohms,1/4W [CD-C421H]
R568	VRD-RT2HD151J	J AA	150 ohms,1/2W	R984,985	VRD-ST2EE3R3J	J AA	3.3 ohms,1/4W [CD-C421H]
R569	VRD-MN2BD104J	J AA	100 kohm,1/8W	R986	VRD-ST2EE2R2J	J AA	2.2 ohms,1/4W [CD-C411H]

R986	VRD-ST2EE3R3J	J AA	3.3 ohms,1/4W [CD-C421H]
RT21	VRD-ST2CD104J	J AA	100 kohm,1/6W
RT26	VRD-ST2CD102J	J AA	1 kohm,1/6W
RT28	VRD-MN2BD102J	J AA	1 kohm,1/8W
RT29	VRD-ST2CD102J	J AA	1 kohm,1/6W
RT30	VRD-MN2BD102J	J AA	1 kohm,1/8W
RT32	VRD-ST2CD103J	J AA	10 kohm,1/6W
RT33,34	RD-ST2CD563J	J AA	56 kohms,1/6W
RT35~37	VRD-ST2CD224J	J AA	220 kohms,1/6W
RT48,49	VRD-ST2EE391J	J AA	390 ohms,1/4W

OTRAS PIEZAS DEL CIRCUITO

BIM5	QCWNW0894AWZZ	J AH	Connector Ass'y,6-10-2Pin
CNS10			
CNS5			
CNP1	92LCONE5P53253	J AB	Plug,5Pin
CNP2	92LCONE8P53253	J AC	Plug,8Pin
CNP3	92LCONE6P53253	J AC	Plug,6Pin
CNP3A	92LCONE6P53254	J AC	Plug,6Pin
CNP10	92LCONEAP53253	J AC	Plug,10Pin
CNP301	92LCONE-2P5268	J AB	Plug,2Pin
CNP303	QCNCW010MAWZZ	J AD	Plug,12Pin
CNP501	92LCONE3P5267X	J AB	Plug,3Pin
CNP502	92LCONE7P5267X	J AC	Plug,7Pin
CNP901	QCNCM035GAWZZ	J AC	Plug,7Pin
CNPM1	QCNCM932MAFZZ	J AE	Plug,12Pin
CNPM2	QCNCM030BAWZZ	J AB	Pin Holder,2Pin
CNS1A/B	QCWNW0891AWZZ	J AG	Connector Ass'y,5-5Pin
CNS2A/B	QCWNW0892AWZZ	J AF	Connector Ass'y,8-8Pin
CNS3A/B	QCWNW0893AWZZ	J AF	Connector Ass'y,6-6Pin
CNS303	QCNCM010MAWZZ	J AC	Socket,12Pin
CNS501	QCWNW0895AWZZ	J AE	Connector Ass'y,3Pin
CNS502	QCWNW0896AWZZ	J AG	Connector Ass'y,7Pin
CNS601	QCWNW0907AWZZ	J AC	Connector Ass'y,8-12Pin
CNSM1	QCWNW0907AWZZ	J AC	Connector Ass'y,8-12Pin

CNS901	QCWNW1248AWZZ	J AK	Connector Ass'y,7-7Pin
CNS902	QCWNW1249AWZZ	J AE	Flat Wire,5Pin
F901	92LFUSE1312E	J AD	Fuse,T3.15A L 250V
F902	92LFUSE-T162-E	J AD	Fuse,T1.6A L 250V
F941	92LFUSE-T501E	J AD	Fuse,T500mA L,250V
FE301	RTUNS0012AWZZ	J AV	FM Front End
FL701	VVKBJ549GK/-1	J AX	FL Display
FW701	QCWNW0720AWZZ	J AD	Flat Cable,3Pin
FW702	QCWNW1251AWZZ	J AE	Flat Wire,9Pin
FW703			
FWM1	QCWNW1274AWZZ	J AC	Flat Cable,2Pin
FWM2	QCWNW0338AWZZ	J AD	Flat Cable,2Pin
JK961	QJAKM0004AWZZ	J AK	Jack,Headphones
M1	92LMTR1858CASYS	J AS	Motor with Chassis [Disc]
M2	92LMTR1854BASYS	J AP	Motor with Gear [Sled]
M3	92LMTR2037AS1	J AP	Motor with Pulley [T/T Up/Down Loading]
MM1	RMOTV0006AWM1	J AR	Motor with Pulley [Tape]
PHM1	VHPI31535CD-1	J AG	Photo Interrupter
RX701	VHLN63H380A-1	J AK	Remote Sensor,N63H380A
SO301	QTANC0101AWZZ	J AF	Terminal,Antenna
SO401	92LJACKL1676A	J AF	Jack,AUX/VIDEO
SO901	QSOCA0204AWZZ	J AF	Socket,AC Power Input
SO961	QTANA0407AWZZ	J AE	Terminal,Speaker [CD-C411H]
SO961	QTANA0801AWZZ	J AK	Terminal,Speaker [CD-C421H]
SOLM1	RPLU-0002AWZZ	J AH	Solenoid Ass'y. [TAPE]
SOLM2	RPLU-0002AWZZ	J AH	Solenoid Ass'y. [CD]
SW1	QSW-P0004AWZZ	J AE	Switch,Push Type [Open/Close]
SW2	QSW-F0001AWZZ	J AD	Switch,Leaf/Skeleton Type [Mecha Up]
SW3	QSW-P0005AWZZ	J AD	Switch,Push Type [DISC Number]
SW4	QSW-F9001AW01	J AD	Switch,Leaf Type [Pickup In]
SW701	92LSWITCH1401A	J	Switch,Key Type - [ON-STANDBY]
SW702	92LSWITCH1401A	J	Switch,Key Type [CLOCK]
SW703	92LSWITCH1401A	J	Switch,Key Type [TIMER/SLEEP]
SW704	92LSWITCH1401A	J	Switch,Key Type [CD]
SW705	92LSWITCH1401A	J	Switch,Key Type [TUNER BAND]
SW706	92LSWITCH1401A	J	Switch,Key Type [TAPE]
SW707	92LSWITCH1401A	J	Switch,Key Type [VIDEO/AUX]
SW708	92LSWITCH1401A	J	Switch,Key Type [EON]
SW709	92LSWITCH1401A	J	Switch,Key Type [PTY./TI SEARCH]
SW710	92LSWITCH1401A	J	Switch,Key Type [ASPM]
SW711	92LSWITCH1401A	J	Switch,Key Type [DISPLAY MODE]
SW712	92LSWITCH1401A	J	Switch,Key Type [REC PAUSE]
SW713	92LSWITCH1401A	J	Switch,Key Type [TUNING UP/TIME]
SW714	92LSWITCH1401A	J	Switch,Key Type [RANDOM DEMO]
SW715	92LSWITCH1401A	J	Switch,Key Type [VOLUME UP]
SW716	92LSWITCH1401A	J	Switch,Key Type [STOP]
SW717	92LSWITCH1401A	J	Switch,Key Type [FWD]
SW718	92LSWITCH1401A	J	Switch,Key Type [FF/PRESET UP]
SW719	92LSWITCH1401A	J	Switch,Key Type

SW720	92LSWITCH1401A	J	[MEMORY SET] Switch,Key Type [TUNING DOWN/TIME]
SW721	92LSWITCH1401A	J	Switch,Key Type [VOLUME DOWN]
SW722	92LSWITCH1401A	J	Switch,Key Type [X-BASS/EQUALIZER]
SW724	92LSWITCH1401A	J	Switch,Key Type [REV/PRESET DOWN]
SW725	92LSWITCH1401A	J	Switch,Key Type [OPEN/CLOSE]
SW726	92LSWITCH1401A	J	Switch,Key Type [DISC SKIP]
SWM3	92LM-SW1676A	J AC	Switch,Leaf Type [Fool Proof]
SWM4	QSW-F9003AWZZ	J AG	Switch,Leaf Type [F.A.S]
SWM5	92LM-SW1658A	J AB	Switch,Leaf Type [CAM]

PIEZAS MECANICA CD

301	NGERH0011AWZZ	J AC	Gear,Middle
302	NGERH0012AWZZ	J AC	Gear,Drive
303	MLEVP0010AWZZ	J AC	Rail,Guide
304	NSFTM0002AWFW	J AE	Shaft,Guide
305	92LM-CUSN1524A	J AC	Cushion
306	92LHPC1MASYS	J BG	Pickup Unit Ass'y
306-1	---	-	Pickup Unit (Not Replacement Item)
306-2	NGERR0043AFZZ	J AC	Gear,Rack
306-3	MSPRC0961AFZZ	J AA	Spring,Rack
701	XBSSD26P06000	J AA	Screw,Dia2.6x6mm
702	XHBSD20P05000	J AA	Screw,Dia2x5mm
703	XBBSD20P03000	J AA	Screw,Dia2x3mm
704	LX-WZ1070AFZZ	J AA	Washer,Dia1.5xDia3.8x0.25mm
M1	92LMTR1858CASYS	J AS	Motor with Chassis [Disc]
M2	92LMTR1854BASYS	J AP	Motor with Gear [Sled]
SW4	QSW-F9001AW01	J AD	Switch,Leaf Type [Pickup In]

PIEZAS MUEBLE

201	92LCAB2829AS1	J AV	Front Panel Ass'y [CD-C411H]
201	92LCAB2827AS1	J AV	Front Panel Ass'y [CD-C421H]
201-1	---	-	Front Panel (Not Replacement)
201-2	JKNBZ0473AWSA	J AD	Button [OPEN/CLOSE]
201-3	PCUSG0022AWZZ	J AB	Cushion,Leg
202	LHLDL1003AWZZ	J AF	Stabilizer
203	92LMECHA2823A	J BL	Cassette Mechanism Ass'y
203-1	NBLTK0011AWZZ	J AC	Belt,Main,Tape 1
203-2	NBLTK0012AWZZ	J AB	Belt,Main,Tape 2
203-3	NBLTK0030AWZZ	J AC	Belt,Sub
203-4	NROLY0002AWZZ	J AF	Pinch Roller Ass'y
203-5	RHEDA0001AWZZ	J AG	Head,Erase
203-6	92LMRPH1746A	J AM	Head,Record/Playback [Tape 1/Tape 2]
203-7	RMOTV0006AWM1	J AR	Motor with Pulley [TAPE], [MM1]
203-8	RPLU-0002AWZZ	J AH	Solenoid Ass'y [TAPE], [SOLM1]
204	92LN-BAND1318A	J AA	Nylon Band,80mm
205	GCAB-1044AWSA	J AM	Cabinet,CD Player Base
206	GCAB-1050AWSB	J AS	Top Cabinet
207	GCOVA1186AWSB	J AF	Cover,CD Tray Panel,Left
208	GCOVA1187AWSB	J AF	Cover,CD Tray Panel,Right
209	GCOVA1199AWSA	J AG	Cover,CD Tray [CD-C421H]
209	GCOVA1215AWSA	J	Cover,CD Tray [CD-C411H]
210	GDORF0054AWSB	J AL	Cassette Holder,Tape 1
211	GDORF0055AWSB	J AL	Cassette Holder,Tape 2
212	GITAR0355AWSA	J AK	Back Board,For U.K. [CD-C421H]
212	GITAR0356AWSA	J AH	Back Board,For U.K. [CD-C411H]
212	GITAR0357AWSA	J	Back Board,For Germany [CD-C411H]
212	GITAR0359AWSA	J AL	Back Board,For Germany [CD-C421H]
213	GITAS0050AWSB	J AM	Side Panel,Left
214	GITAS0051AWSB	J AM	Side Panel,Right
215	HDECQ0296AWSA	J AF	Panel,Cassette,Tape 1
216	HDECQ0297AWSA	J AF	Panel,Cassette,Tape 2
217	HDECQ0299AWSA	J AG	CD Top Panel
218	HDECQ0366AWSA	J	Display Panel [CD-C411H]
218	HDECQ0368AWSA	J AM	Display Panel [CD-C421H]
219	JKNBZ0516AWSB	J AG	Button Function
220	JKNBZ0517AWSB	J AF	Button [X-BASS]
221	JKNBZ0518AWSA	J AD	Button [CLOCK/TIMER/SLEEP]
222	JKNBZ0519AWSA	J AH	Button,OPERATION A
223	JKNBZ0520AWSA	J AH	Button,OPERATION B
224	JKNBZ0521AWSA	J AE	Button [TUNING/TIME]
225	JKNBZ0522AWSA	J AE	Button [RANDOM/DEMO]
226	LANGF0032AWZZ	J AC	Support,T/T Lock Lever
227	ANGT0051AWFW	J AF	Bracket,Heat Sink [CD-C421H]
227	LANGT0052AWFW	J	Bracket,Heat Sink [CD-C411H]
228	LCHSM0074AWFW	J AS	Chassis,Bottom
229	LCHSZ0010AWZZ	J AM	Chassis,Loading
230	LCHSZ0011AWZZ	J AG	Chassis,CD Mechanism
231	LHLDZ1143AWZZ	J AD	Holder,FL Display
232	LHLDZ1139AWSA	J AD	Support,Stabilizer
233	LHLDZ1140AWZZ	J AB	Guide

234	LHLDZ1141AWZZ	J AB	Support,Pitch
235	MLEVP0066AWZZ	J AE	Lever,Shift
236	MLEVP0067AWZZ	J AC	Lever,Lock
237	MLEVP0068AWZZ	J AB	Lever,Change
238	MLEVP0070AWZZ	J AB	Lever,T/T Lock
239	MLIFP0003AWZZ	J AE	Damper
240	MSPRC0020AWFJ	J AB	Spring,T/T Lock Lever
241	MSPRC0024AWFJ	J AB	Spring,Solenoid
242	MSPRD0044AWFJ	J AB	Spring,Lock Lever
243	MSPRD0092AWFJ	J AB	Spring,Cassette,Tape 1
244	MSPRD0093AWFJ	J AB	Spring,Cassette,Tape 2
245	NBLTK0029AWZZ	J AB	Belt,Drive
246	NGERH0064AWZZ	J AD	Gear,Cam
247	NGERH0065AWZZ	J AB	Gear,Turntable
248	NGERK0003AWZZ	J AC	Gear,Drive
249	NGERK0004AWZZ	J AB	Gear,Bevel
250	NGERK0005AWZZ	J AB	Gear,Loading
251	NGERW0006AWZZ	J AC	Gear,Worm Wheel
252	NPLYD0001AWZZ	J AB	Pulley
253	NROLP0009AWZZ	J AB	Roller
254	NTNT-0018AWSA	J AK	Turntable
255	PCUSG0022AWZZ	J AB	Cushion
256	PRDAR0113AWFW	J AV	Heat Sink [CD-C421H]
256	PRDAR0118AWFW	J AT	Heat Sink [CD-C411H]
257	QFSDH0001AWZZ	J AB	Holder,Fuse
258	QLUGP0001AWZZ	J AC	Lug Terminal [Lug 961,962]
259	PSLDM3015AWFW	J AD	Shield Plate
260	LANGT0049AWFW	J AK	Bracket,Tuner and Main PWB
261	LANGT0050AWFW	J AG	Bracket,Tuner PWB
262	92LCAUT1706A1	J AC	Label,CD Laser Caution
263	92LCAUT1706B	J AA	Label,CD Laser Caution Mark
264	PMAGF0001AWZZ	J AF	Magnet
265	92LSUPT1749D	J AA	Support,Magnet
267	TLABS0076AWZZ	J AB	Label,BEAB,for U.K. Only
601	LX-EZ0005AWFD	J AA	Screw,Special
602	LX-JZ0002AWFD	J AA	Screw,Dia3x10mm
603	LX-JZ0003AWFF	J AA	Screw,Dia3x12mm
604	LX-JZ0022AFFD	J AA	Screw,Dia3x8mm
605	LX-TZ0019AFZZ	J AB	Screw,Special
606	XBPSD26P05JS0	J AA	Screw,Dia2.6x5mm
607	XEBSD26P12000	J AA	Screw,Dia2.6x12mm
608	XEBSD30P10000	J AA	Screw,Dia3x10mm
609	XEBSD30P12000	J AA	Screw,Dia3x12mm
610	XHBSD40P08000	J AA	Screw,Dia4x8mm
611	XEBSF30P10000	J AA	Screw,Dia3x10mm
612	XEBSF30P12000	J AA	Screw,Dia3x12mm
613	XESSD30P10000	J AA	Screw,Dia3x10mm
614	XHBSF30P08000	J AA	Screw,Dia3x8mm
615	XJBSD30P08000	J AA	Screw,Dia3x8mm
616	XJBSD30P10000	J AA	Screw,Dia3x10mm
617	XJSSF30P10000	J AA	Screw,Dia3x10mm
618	XWHJZ62-09510	J AB	Washer,Dia6.2xDia10x0.9mm
619	XJBFSF30P10000	J AA	Screw,Dia3x10mm
620	XJBFSF30P08000	J AA	Screw,Dia3x8mm
SOLM2	RPLU-0002AWZZ	J AH	Solenoid Ass'y. [CD]
FL701	VVKBJ549GK/-1	J AX	FL Display
M3	92LMTR2037AS1	J AP	Motor with Pulley [T/T Up/Down Loading]
SW2	QSW-F0001AWZZ	J AD	Switch,Leaf/Skeleton Type [Mecha Up]
SW3	QSW-P0005AWZZ	J AD	Switch,Push Type [DISC Number]

PIEZAS ALTA VOZ FRONTAL (CP-C421H)

901	9.9972E+11	J BB	Speaker Box Ass'y.
902	1.9973E+11	J AV	Net Frame Ass'y.
903	1.5173E+11	J AS	Duct Panel
904	1.356E+11	J AB	Screw,Dia4x14mm
905	1.3764E+11	J	Label,Specification
906	1.0976E+11	J AF	Port Cushion
SP1,2	VSP0010WBV36A	J AZ	Speaker,Woofers
SP3,4	VSP0050TBK66A	J AS	Speaker,Tweeter

PIEZAS ALTA VOZ FRONTAL (CP-C411H)

901	J1730A	J	Net Frame Ass'y
902	8510	J	Speaker Box Ass'y
903	D4675EA	J	Speaker Cord
904	P5859-1	J	Label,Specification
905	J1729A	J	Panel,Duct
906	J9797	J	Port Cushion
907	J1731	J	Support,Woofers
908	F3075	J	Screw,Dia4x35mm
SP1,2	VSP0010PBV48A	J	Speaker,Woofers

PIEZAS ALTA VOZ SURROUND, GBOXS0018AWZZ, SOLO PARA CD-C421H

901	92L291-0061	J AM	Speaker Cord
902	92L121-0069	J AN	Net Frame Ass'y.

903	92L314-0035	J	Bottom Cabinet
904	92L351-0320	J	Label,Specification
905	92L372-0028	J AB	Screw,Dia3x20mm
SP1,2	VSP0010PBS8WA	J AM	Speaker,Full Range

ACCESORIOS / PIEZAS EMBALAJE

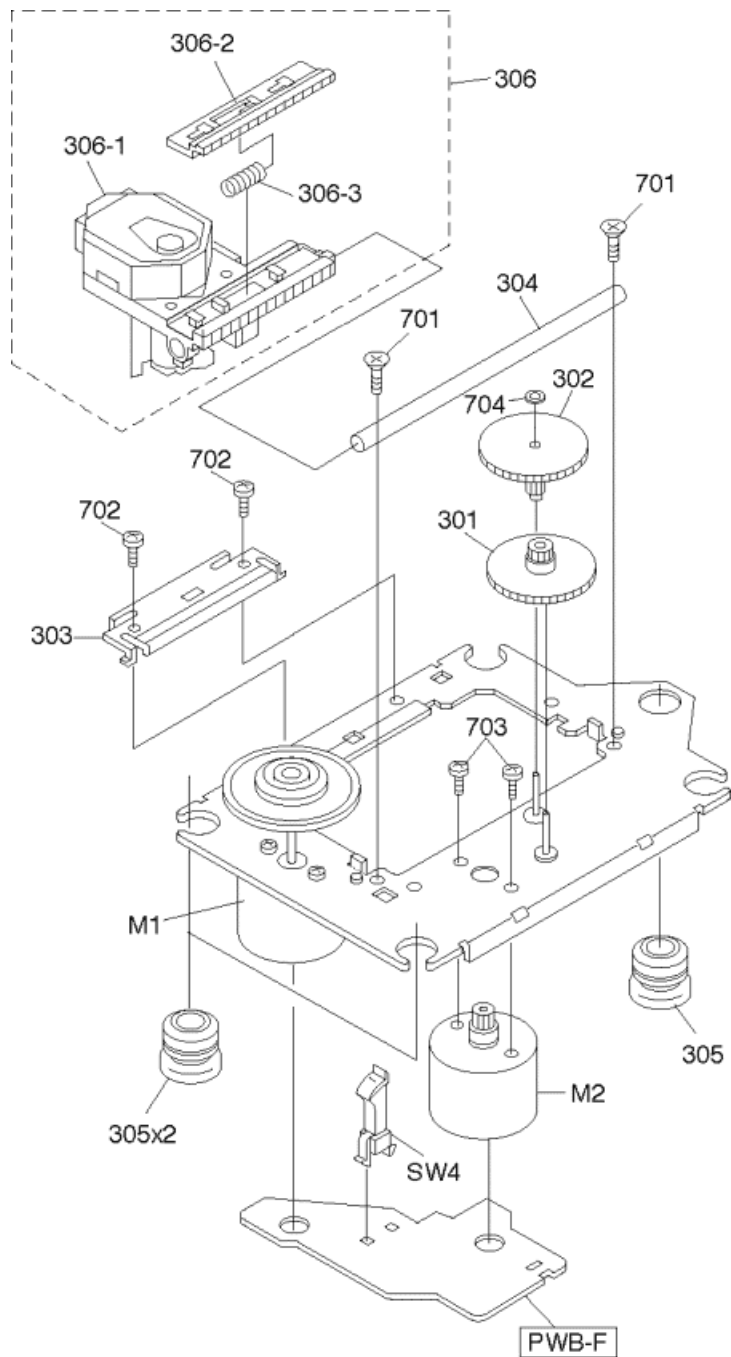
1	SPAKP0013AWZZ1	J AC	Polyethylene Bag,Unit
2	SPAKA0197AWZZ	J AN	Packing Add.,Unit,Left/Right
3	SPAKZ0383AWZZ	J AB	Sheet
4	SPAKC0671AWZZ	J AX	Packing Case
4	SPAKC0669AWZZ	J	Packing Case
5	TLABE0246AWZZ	J AB	Label,Bar Code
5	TLABE0230AWZZ	J AB	Label,Bar Code
6	92LBAG1770A	J AB	Polyethylene Bag,AC Power Supply Cord [U.K. Only]
7	QACCB0004AW00	J BB	AC Power Supply Cord,for U.K.
7	QACCE0007AW00	J AH	AC Power Supply Cord,for Germany
8	92LBAG1460C1	J AB	Polyethylene Bag,Operation Manual
9	QANTL0005AWZZ	J AG	AM Loop Antenna
10	92LFF-ANT1535A	J AF	FM Antenna
11	TGAN-3170UMZZ	J AE	Warranty Card [U.K. Only]
12	TINSE0221AWZZ	J AG	Operation Manual for U.K.
12	TINSZ0324AWZZ	J AP	Operation Manual for Germany
12	TINSE0220AWZZ	J	Operation Manual,for U.K.
12	TINSZ0323AWZZ	J	Operation Manual,for Germany
12	TINSZ0373AWZZ	J	Operation Manual,for Russia
13	UBATU0001AWZZ	J AE	Battery,UM/SUM-3 [Germany Only]
14	RRMCG0144AWSA	J AX	Remote Control
14-1	92LLID1782A	J AQ	Battery Lid,Remote Control
15	SPAKZ0393AWZZ	J AD	Protection Pad
16	1.3874E+11	J	Polyethylene Bag,Front Speaker
16	92L411-0064	J AE	Polyethylene Bag,Front Speaker
17	1.3764E+11	J	Label,Feature
17	P9819	J	Label,Feature
18	1.3976E+11	J AN	Packing Add.,Top,Front Speaker
18	N1869	J	Packing Add.,Top and Bottom,
19	1.3976E+11	J AN	Packing Add.,Bottom,Front Speaker
20	92L411-0063	J AB	Polyethylene Bag,Surround Speaker
21	92L412-0064	J AQ	Packing Add.,Top and Bottom,Surround Speaker

PLACAS MONTADAS, (NO SE SUMINISTRAN COMO RECAMBIO)

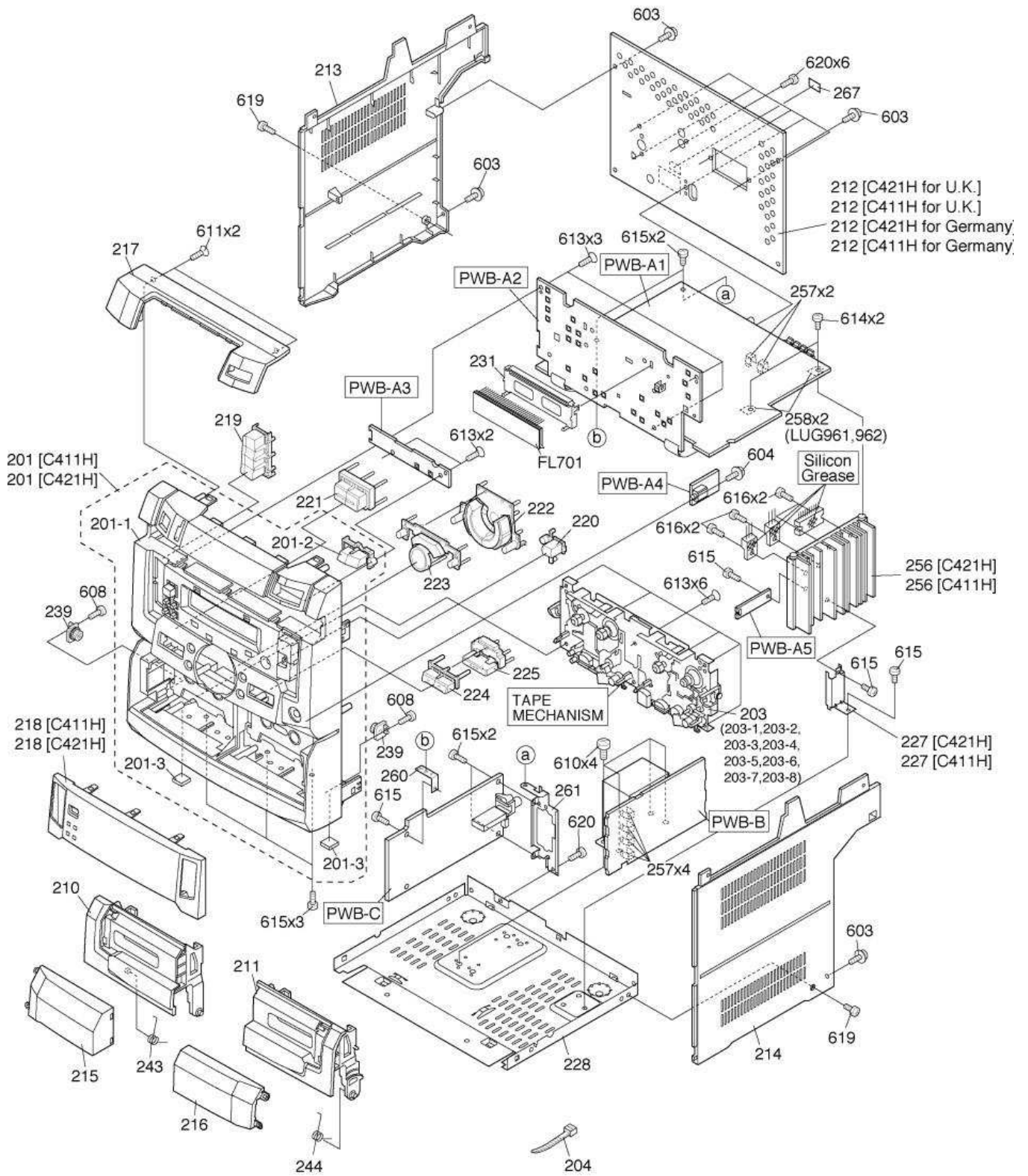
PWB-A1-5	92LPWB2827MANS	J -	Main/Display/Switch/Headphone Wire Holder (Combined Ass'y) [CD-C421H], Except for Germany
PWB-A1-5	92LPWB2829MANS	J -	Main/Display/Switch/Headphone Wire Holder (Combined Ass'y) [CD-C411H], Except for Germany

PWB-B	92LPWB2827PWRS	J -	Power [CD-C421H], Except for Germany
PWB-B	92LPWB2829PWRS	J -	Power [CD-C411H], Except for Germany
PWB-C	92LPWB2827TUNS	J -	Tuner, Except for Germany
PWB-D	QPWBF0106AWZZ	J AF	Tape Mechanism (PWB Only)
PWB-E	QPWBF0341AWZZ	J AB	Sensor (PWB Only)
PWB-F	QPWBF0027AWZZ	J AD	CD Motor (PWB Only)

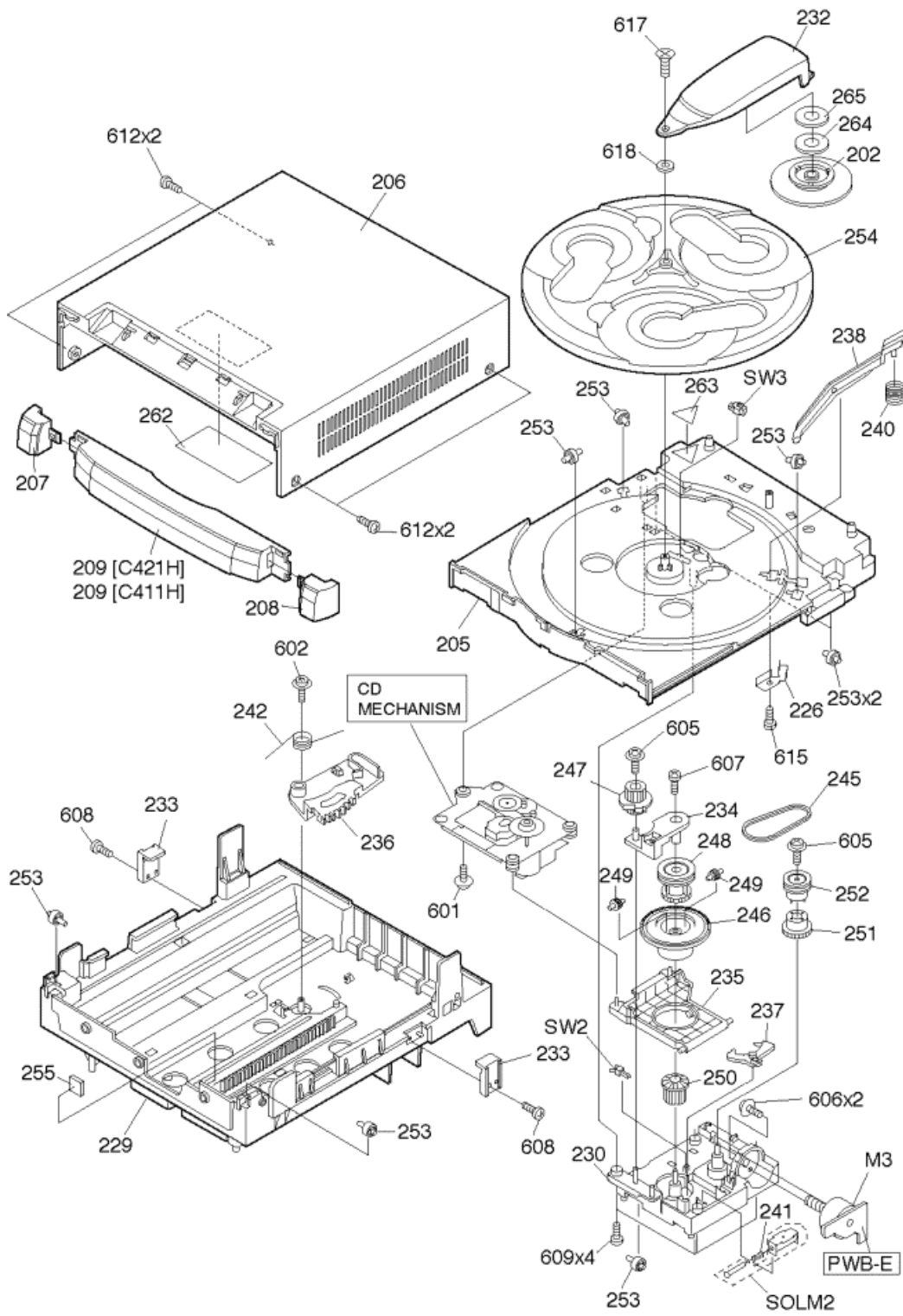
VISTA DESPIECE MECANICA CD



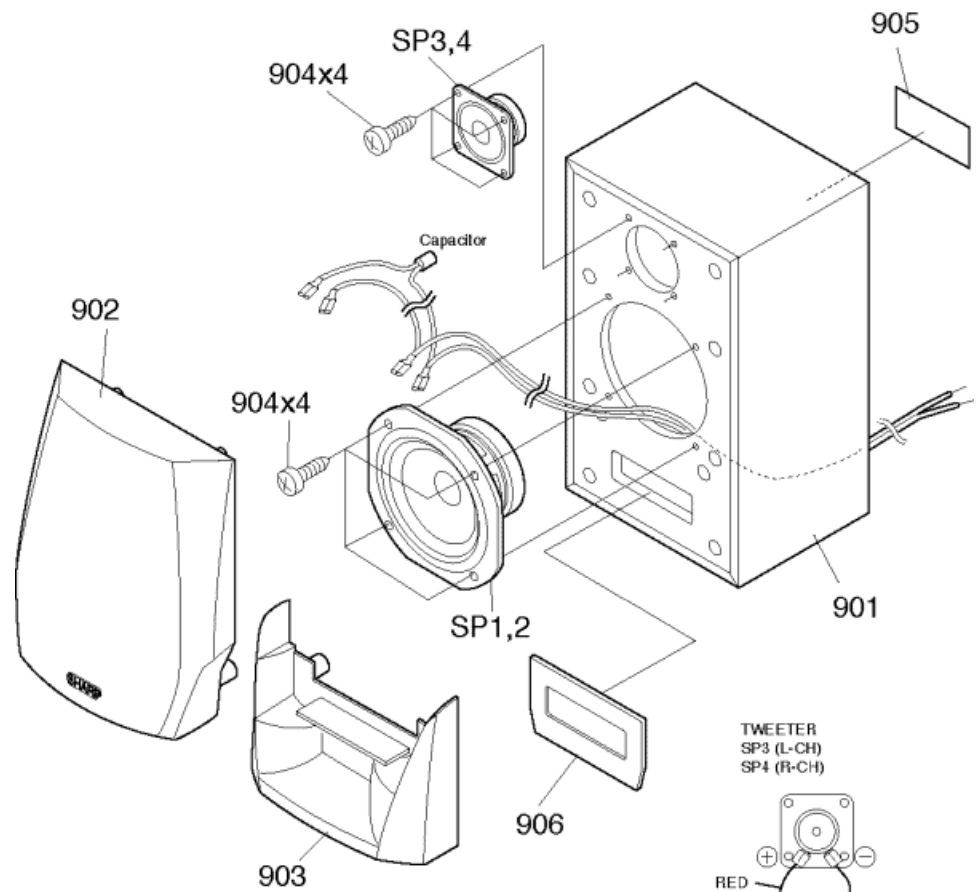
VISTA DESPIECE MUEBLE 1



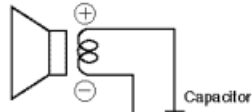
VISTA DESPIECE MUEBLE 2



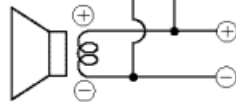
VISTA DESPIECE ALTAVOCES FRONTALES CD-C421H



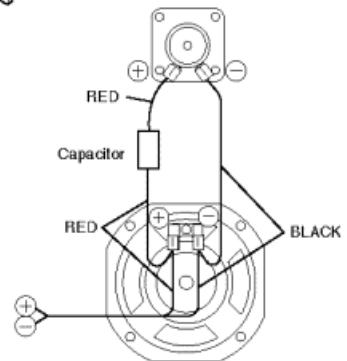
TWEETER
SP3 (L-CH)
SP4 (R-CH)



WOOFER
SP1 (L-CH)
SP2 (R-CH)



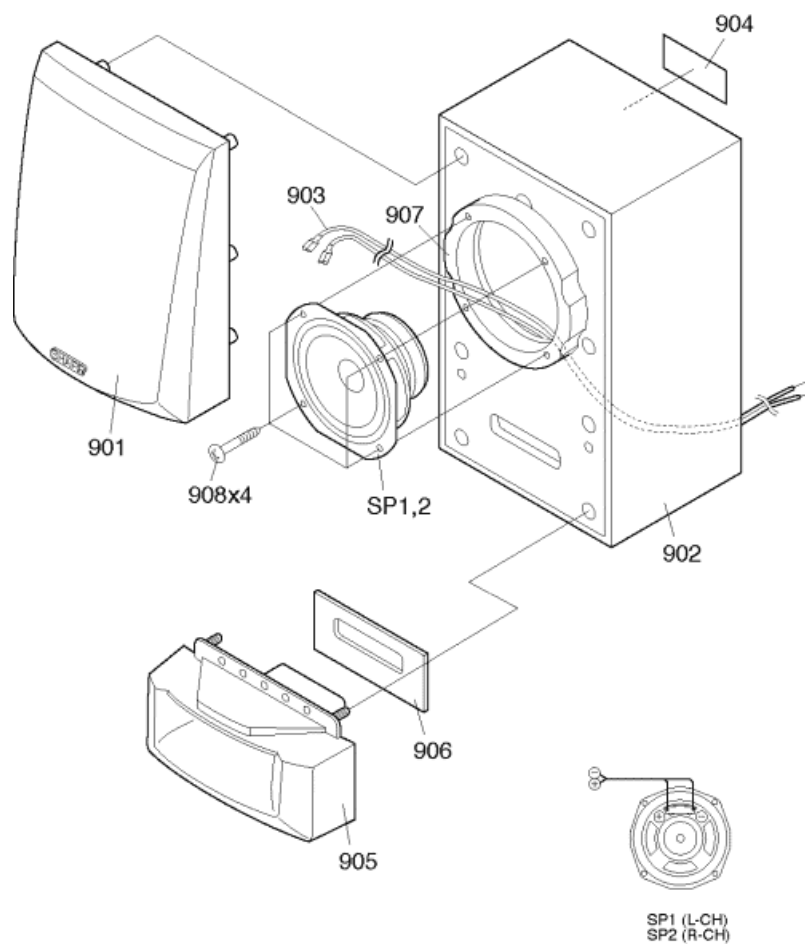
TWEETER
SP3 (L-CH)
SP4 (R-CH)



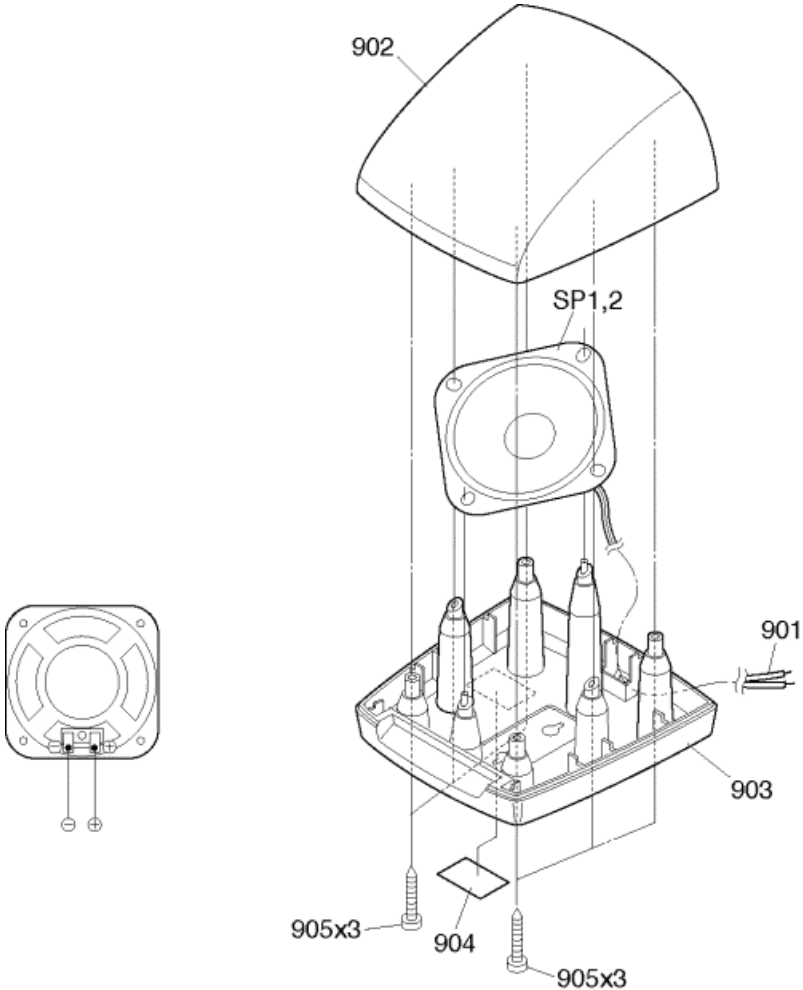
WOOFER
SP1 (L-CH)
SP2 (R-CH)

VISTA DESPIECE ALTAVOCES FRONTALES CD-C411H

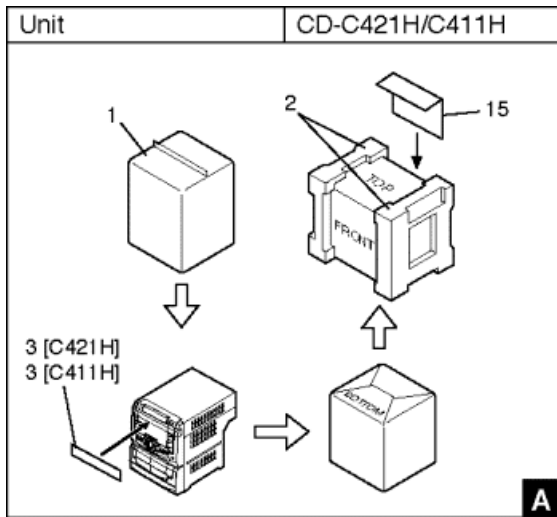
SP1 (L-CH)
SP2 (R-CH)



VISTA DESPIECE ALTAVOCES SURROUND CD-C421H



VISTA DESPIECE EMBALAJE SOLO PARA REINO UNIDO



CD-C421H/C411H

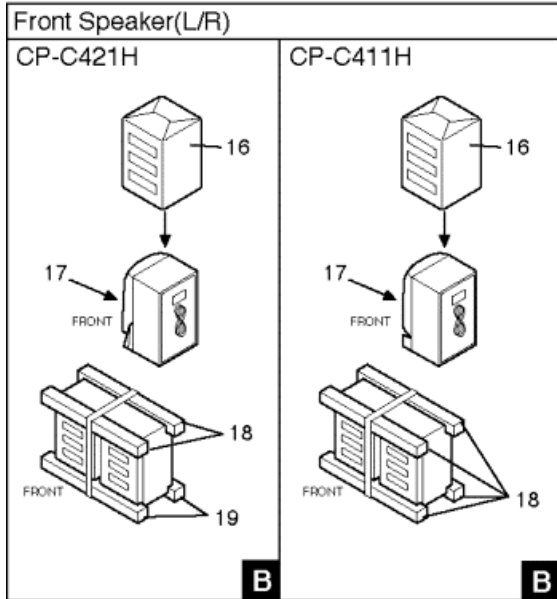
- | | |
|---------------------------------------|----------------|
| 1. Polyethylene Bag | SPAKP0013AWZZ1 |
| 2. Packing Add. | SPAKA0197AWZZ |
| 3. Seet | SPAKZ0383AWZZ |
| 4. Packing Case: CD-C421H | SPAKC0671AWZZ |
| 4. Packing Case: CD-C411H | SPAKC0669AWZZ |
| 5. Label, Bar Code: CD-C421H | TLABE0246AWZZ |
| 5. Label, Bar Code: CD-C411H | TLABE0230AWZZ |
| 6. Polyethylene Bag, AC Plug | 92LBAG1770A |
| 7. AC Power Cord | QACCB0004AW00 |
| 8. Polyethylene Bag, Operation Manual | 92LBAG1460C1 |
| 9. AM Loop Antenna | QANTL0005AWZZ |
| 10. FM Antenna | 92LF-ANT1535A |
| 11. Warranty Card | TGAN-3170UMZZ |
| 12. Operator Manual: CD-C421H | TINSE0221AWZZ |
| 12. Operator Manual: CD-C411H | TINSE0220AWZZ |
| 14. Remote Control | RRMCG0144AWSA |
| 15. Protection Pad | SPAKZ0393AWZZ |

CP-C421H

- | | |
|--------------------------|--------------|
| 16. Polyethylene Bag | 92L411-0064 |
| 17. Label, Feature | 137640521112 |
| 18. Packing Add., Top | 139764081026 |
| 19. Packing Add., Bottom | 139764081027 |

CP-C411H

- | | |
|----------------------------------|-------------|
| 16. Polyethylene Bag | 92L411-0064 |
| 17. Label, Feature | P9819 |
| 18. Packing Add., Top and Bottom | N1869 |



SURROUND SPEAKER SYSTEM

- | | |
|----------------------------------|-------------|
| 20. Polyethylene Bag | 92L411-0063 |
| 21. Packing Add., Top and Bottom | 92L412-0064 |

