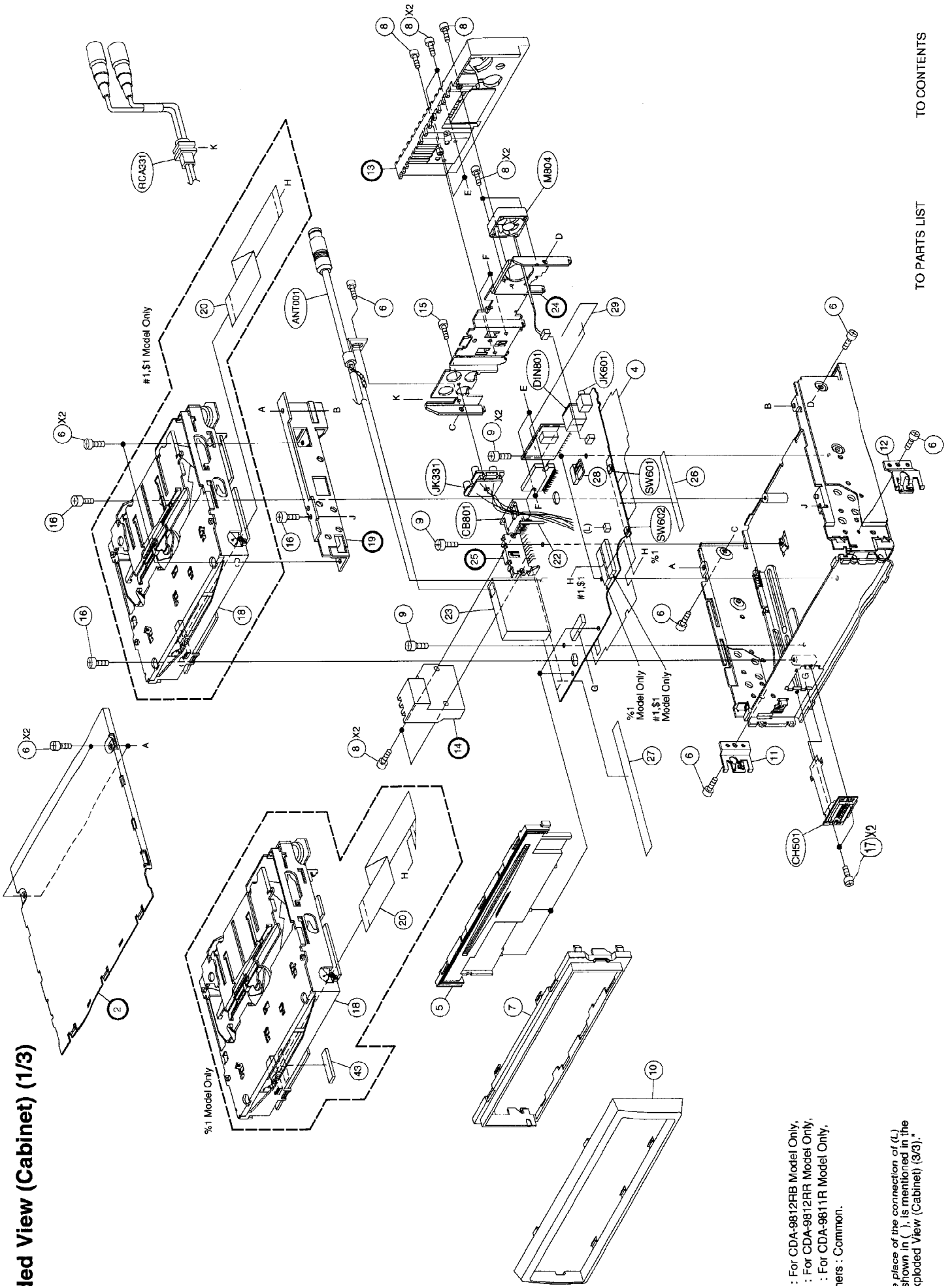


# Exploded View (Cabinet) (1/3)

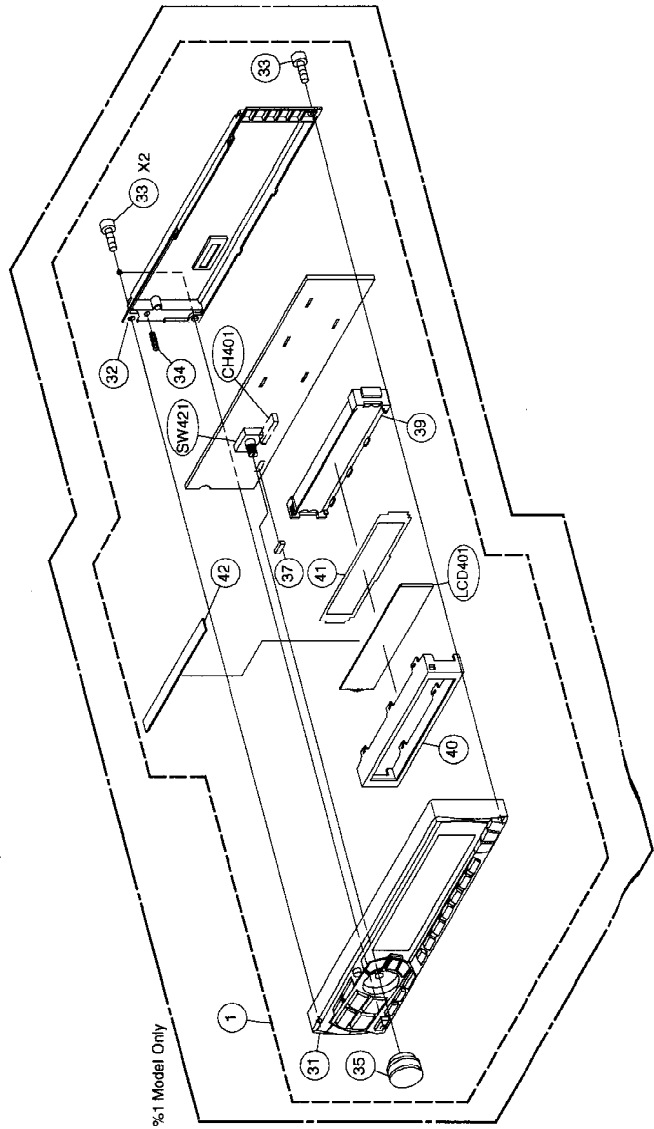
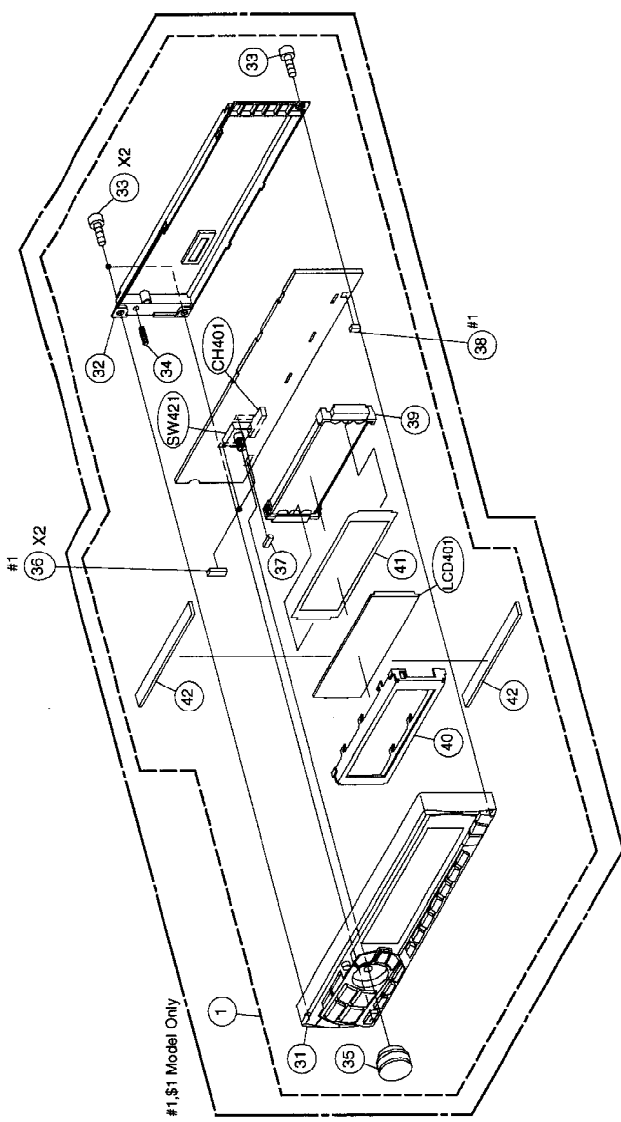


NOTE : #1 : For CDA-9812RB Model Only,  
 \$1 : For CDA-9812RR Model Only,  
 %1 : For CDA-9811R Model Only,  
 Others : Common.

NOTE : The place of the connection of (L) as shown in ( ) is mentioned in the Exploded View (Cabinet) (3/3).

TO PARTS LIST  
 TO CONTENTS

# Exploded View (Cabinet) (2/3)

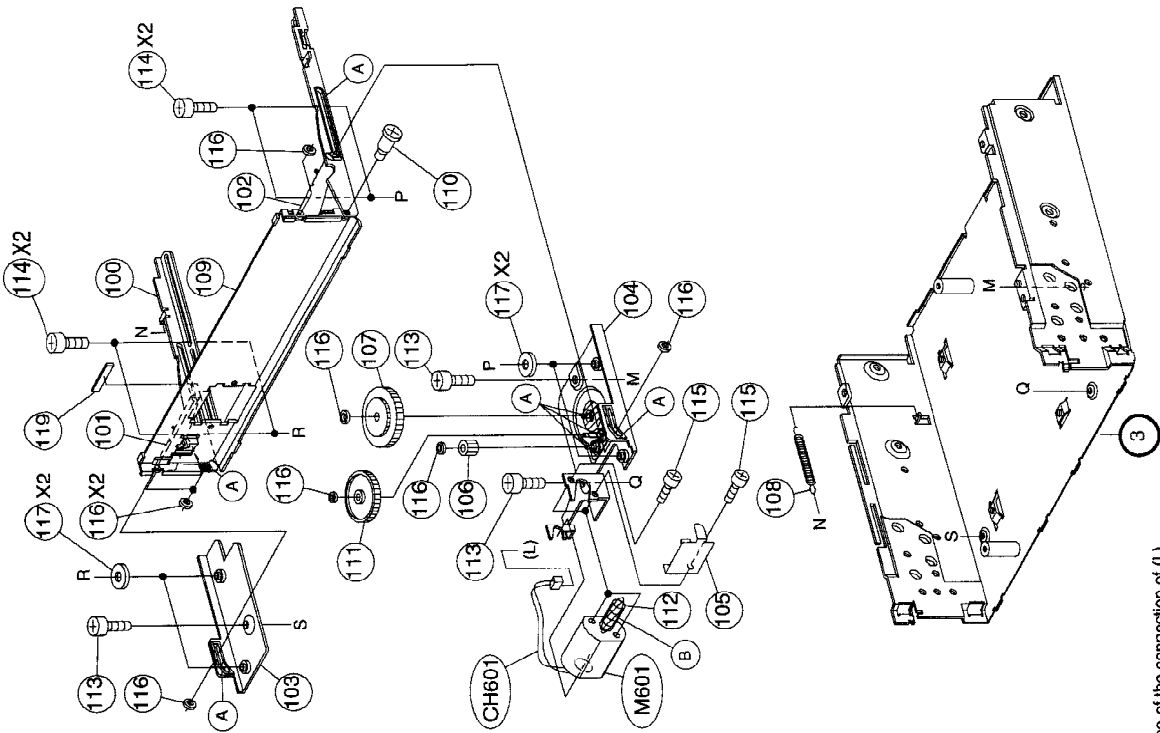


NOTE : #1 : For CDA-9812RB Model Only,  
 \$1 : For CDA-9812RR Model Only,  
 %1 : For CDA-9811FR Model Only,  
 Others : Common.

TO PARTS LIST

TO CONTENTS

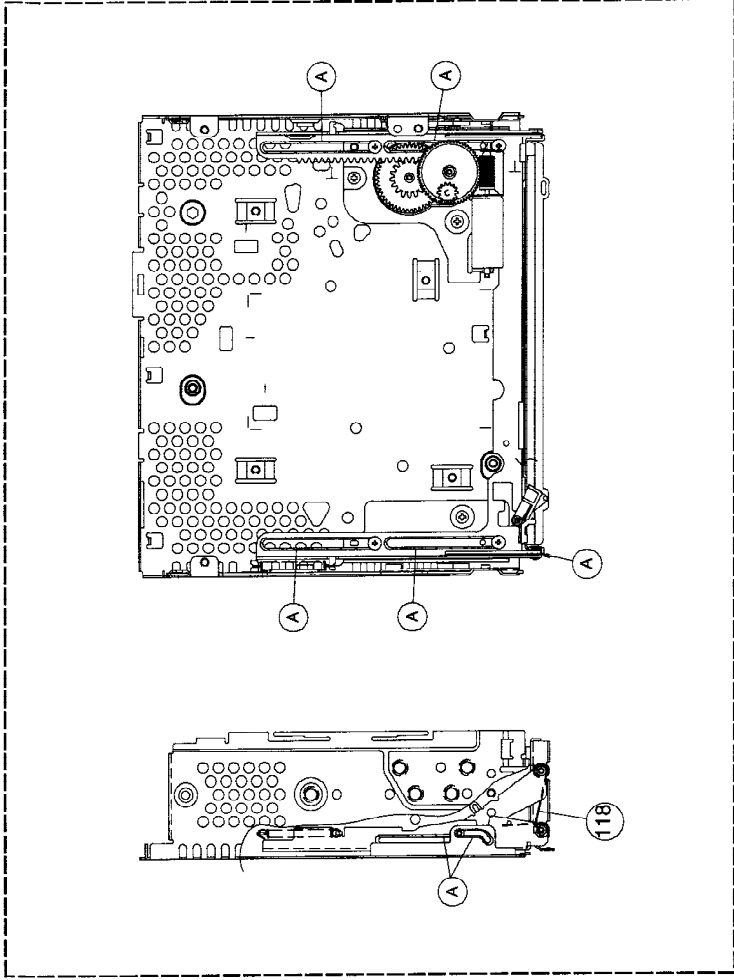
# Exploded View (Cabinet) (3/3)



NOTE : The place of the connection of (L) as shown in ( ) is mentioned in the "Exploded View (Cabinet) (1/3)."

.....point of GREASE applied.

A	GREASE E-PAST ( 11S42419J09 )
B	GREASE G-8007 ( 11S41558Y01 )



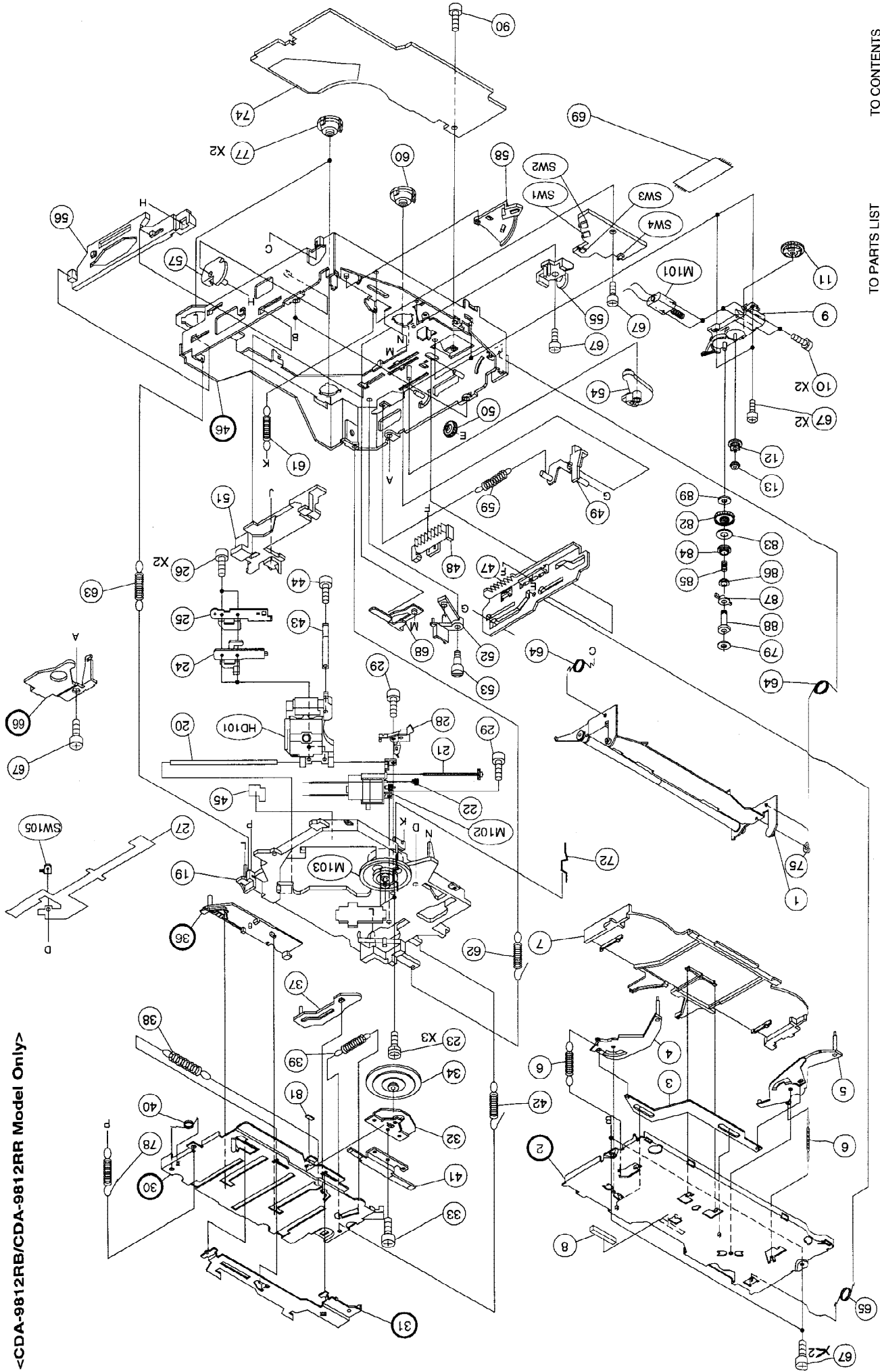
TO PARTS LIST

TO CONTENTS

# Exploded View (CD Deck Mechanism)

(DP23S2DO)

<CDA-9812RB/CDA-9812RR Model Only>



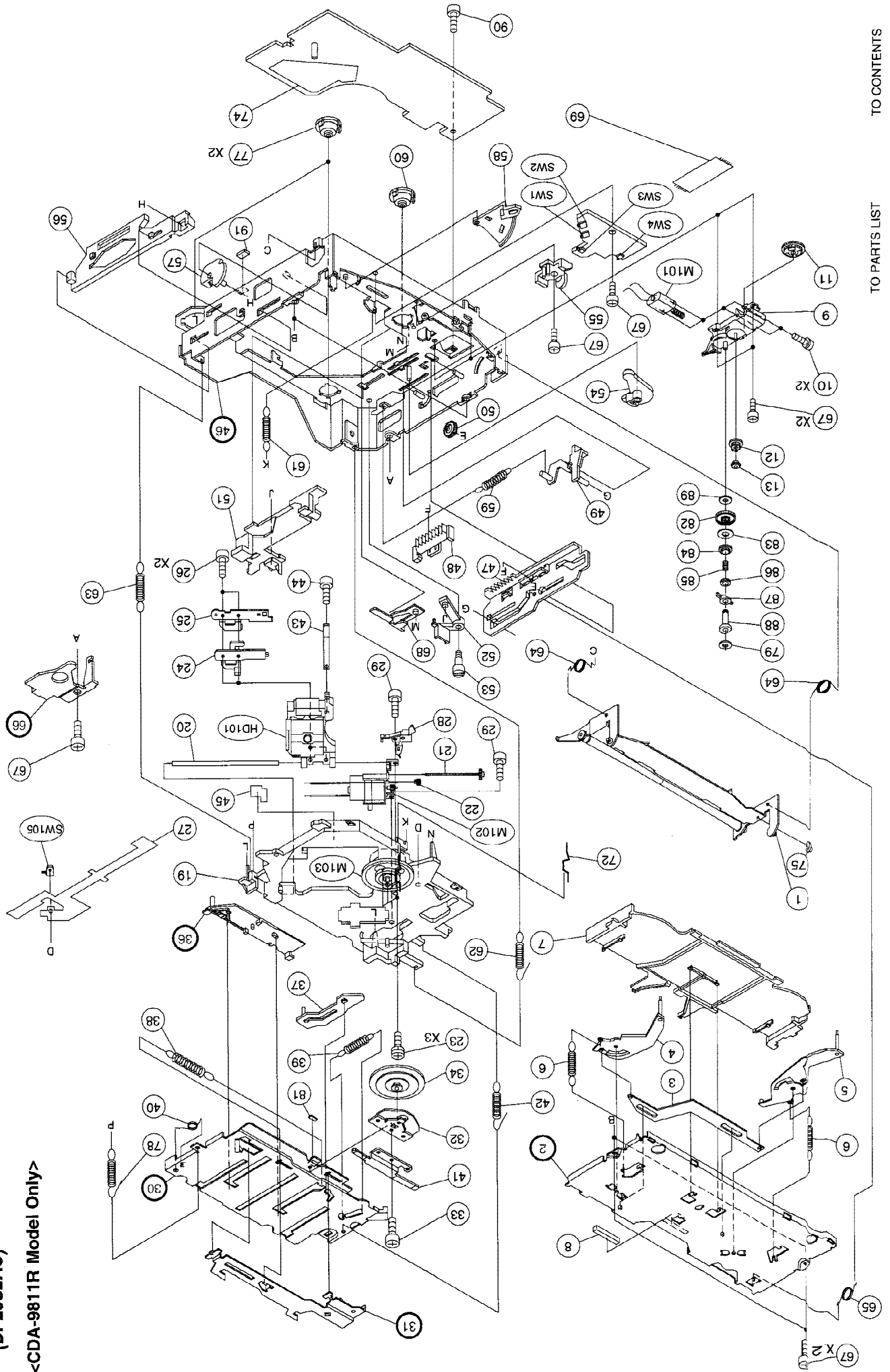
TO PARTS LIST

TO CONTENTS

# Exploded View (CD Deck Mechanism)

(DP23S2AO)

>CDA-9811R Model Only<



TO PARTS LIST

TO CONTENTS



## Cabinet Assembly Parts List

Notes : \*#1: CDA-9812RB Model Only, \$1: CDA-9812RR Model Only,  
 \$1: CDA-9811R Model Only, Others: Common.

\*The part that has not PART NUMBER will not be supplied.

#1	1	01V66300Y14	ASSY,NOSE UNIT 12RB
\$1	1	01V71100Y03	ASSY,NOSE UNIT 12RR
%1	1	01V66300Y23	ASSY,NOSE UNIT 11RN
	2	-----	COVER, TOP
	3	-----	CHAS, BASE
	4	14B02924K01	INSULATOR, MAIN
	5	13B03464K01	NOSE, BASE(CD) ASSY
	6	03S44205G29	SCR, T-TITE M2.6X6
	7	13D02363K01	NOSE, BASE COVER
	8	03S38013W02	SCR, T-TITE M2.6X14
	9	03T25225Y01	SCR, GND
#1	10	33C01797K03	FACE, PLATE
\$1	10	33C01797K01	FACE, PLATE
%1	10	33C01797K01	FACE, PLATE
	11	07D00749K01	BKT, SIDE L
	12	07D00749K02	BKT, SIDE R
	13	-----	HEAT, SINK(SW)
	14	-----	HEAT, SINK(S)
	15	03S71677F05	SCR, T-TITE-B M3X8
	16	03S44205G07	SCR, T-TITE M2.6X5
	17	03S94385F77	SCR, NYLOK M1.7X3
#1	18	81D60519Y01	DP23S2DO, CD MECH
\$1	18	81D60519Y01	DP23S2DO, CD MECH
%1	18	81D50617Y01	DP23S2AO, CD MECH
	19	-----	BKT, MECH(CD)
#1	20	30T03013K05	SMCD22X120.1BDX6(BL)
\$1	20	30T03013K05	SMCD22X120.1BDX6(BL)
%1	20	30T03013K04	SMCD22X124ADX6(BL)M
	22	09T84840F02	LUG, STYLE 32MM
	23	77B50886Y01	MB4R002Z FM/AM UNIT(TU001)
	24	-----	BKT, CHAS REAR(SW)
	25	-----	BKT, IC
	26	14S31545Y16	INS, CVR 59X8XT0.1
	27	14S31545Y17	INS, CVR 100X8XT0.1
	28	36A70327W01	KNOB, SLIDE
	29	14S50096Y69	INS, CVR 40X17.5XT0.3
#1	31	13C02918K04	NOSE, PIECE ASSY(H)
\$1	31	13C02918K05	NOSE, PIECE ASSY(H)
%1	31	13C02921K02	NOSE, PIECE ASSY(L)
#1	32	13D40822Y02	NOSE, BOTTOM
\$1	32	13D40822Y01	NOSE, BOTTOM
%1	32	13D40822Y01	NOSE, BOTTOM
	33	03S68555F20	SCR, WAVE M1.7X5
	34	41A50111W10	SPRING, KNOB
#1	35	36B03242K02	KNOB, ROTALY ASSY
\$1	35	36B03242K01	KNOB, ROTALY ASSY
%1	35	36B03242K01	KNOB, ROTALY ASSY
#1	36	75S40755Y98	CUS, RUB 13X2XT3

	37	75S61553Y06	CUS,RUB 5X3XT1.5
#1	38	75S61553Y03	CUS,RUB 5X2XT4
#1	39	15D01793K01	CASE,LCD ASSY
\$1	39	15D01793K01	CASE,LCD ASSY
%1	39	15D01771K01	CASE,LCD ASSY
#1	40	15B01794K01	COVER,LCD
\$1	40	15B01794K01	COVER,LCD
%1	40	15B01769K01	COVER,LCD
#1	41	26A41974Y01	REFLECTOR,SHEET
\$1	41	26A41974Y01	REFLECTOR,SHEET
%1	41	26A41975Y01	REFLECTOR,SHEET
#1	42	75T03213K03	RUBBER,ELECTRIC
\$1	42	75T03213K03	RUBBER,ELECTRIC
%1	42	75T03213K03	RUBBER,ELECTRIC
%1	43	75S40755Y78	CUS,RUB 11X5XT4.5
	100	07B02259K01	BKT,SLIDER
	101	07A01754K01	BKT,ARM(L)
	102	07A01754K02	BKT,ARM(R)
	103	07A02260K02	BKT,BASE L
	104	07C02261K02	BKT,BASE R
	105	41A50048Y01	SPRING,WORM
	106	44A02263K01	GEAR,ID
	107	44A02262K01	GEAR,SLIDER
	108	41A50060Y01	SPRING,SLIDE
	109	01C01750K01	BKT,FRONT BASE ASSY
	110	03A20851Y02	SCR,SLIDER
	111	44B01846K01	GEAR,CLUTCH ASSY
	112	44A01840K01	GEAR,WORM
	113	03S94385F13	SCR,NYLOK M2.6X3
	114	03S94385F25	SCREW,NYLOK
	115	03S68259F23	SCR,P-LOCK M2X3
	116	04B41345P54	WASHER,LOCK
	117	43A50493Y01	BUSH,SLIDER
	118	41A50492Y01	SPRING,NOSE
	119	75S40755Y50	CUS,RUB 18X4XT2



**CD Deck Mechanism Assembly Parts List**

Note: The part that has not PART NUMBER will not be supplied.

1	01V43800Y84	ASSY,ARM GUIDE 280
2	-----	CHASSIS,TOP
3	45B11564Y02	LEVER,LINK-TOP
4	45B11595Y02	LEVER DISC(R)
5	45B11596Y02	LEVER,DISC(L)
6	41B11613Y16	SPRING,PULL
7	15D50248Y01	GUIDE,TOP-DPS2
8	75A60713Y01	CUSHION,SILICONE
9	07C50608Y01	BKT,MOTOR LOAD-P
10	03S40014G07	SCR,MCH M2X4
11	44B11578Y02	GEAR,(A)
12	44B11579Y02	GEAR,(B)
13	44B11580Y02	GEAR,(C)
19	27D11602Y04	CHASSIS,PICKUP
20	47A11575Y01	SHAFT,PICK
21	01V28100Y59	ASSY,SHAFT.SCREW
22	44A70590W03	GEAR,MIDDLE
23	03S72235F96	SCR,MCH M1.7X3.5(SW)
24	07B30337Y02	BKT,SPRING NUT
25	41A11606Y10	SPRING,NUT
26	03S94385F18	SCR,NYLON M2X3.5
27	84T01803K01	PANEL,FPC CONT
28	41B11566Y10	SPRING SHAFT
29	03S70494F13	SCR,P-TITE M2X6 BLK
30	-----	ASSY,RIV.ARM CLAMP
31	-----	LEVER,LOCK
32	07A11565Y02	PLATE,CLAMP
33	03S94385F01	SCR,NYLOK M1.7X2.3
34	43A41812Y02	TABLE,CLAMPER2
36	-----	SLIDER DISC
37	45A11599Y02	LEVER,ACTUATOR
38	41B11613Y03	SPRING,PULL
39	41B11613Y05	SPRING,LEV-ACT
40	41A11609Y01	SPRING,LEVER
41	41B40574Y10	SPRING,PLATE-S
42	41B11613Y15	SPRING,PULL
43	41A11040Y10	SPRING,SLED-HOE
44	03S70494F52	SCR,P-TITE M1.4X4.5
45	43A21240Y01	SHEET,FPC PICK
46	-----	ASSY,RIV CHAS BASE
47	45B40510Y02	SLIDER,LOAD
48	44B40527Y02	RACK
49	45A11601Y02	LEVER,TRIGER
50	44B11581Y02	GEAR,(D)
51	45B11594Y02	SLIDER,LOCK(L)
52	45A11592Y02	ARM,LOCK(L2)
53	03A11574Y01	SCREW,LOCK
54	45B11591Y02	ARM,LOCK(L1)
55	07A50606Y01	BKT,MOTOR WIRE-P
56	45B11593Y02	SLIDER,LOCK(R)

57	45B11607Y02	ARM,LOCK(R)
58	45A11597Y02	LEVER,SW
59	41B11613Y04	SPRING,TRIGER
60	75C30466Y04	DAMPER,DPS2
61	41B11613Y06	SPRING,PULL
62	41B11613Y07	SPRING,PULL
63	41B11613Y08	SPRING,PULL
64	41A40518Y01	SPRING,ROL
65	41A31894Y02	SPRING,SLIDER
66	-----	BKT,SP-TOP
67	03A21791Y01	SCREW,M2X3.5 S-TITE
68	07B20905Y02	BKT,FPC CONT
69	30T15126W15	WIRE,PC JOINT 7P
72	41A21613Y02	SPRING,SPINDLE
74	14A60693Y01	INS,CVR
75	43A31443Y01	ROLLER,ARM DISC (C)
77	75C30466Y05	DAMPER,DPS2
78	41B11613Y14	SPLING,PULL
79	04B41345P52	WASH,1.6X3.5X0.25
81	75A21286Y02	CUSHION,CLAMPER BACK
82	44B40523Y02	GEAR,BASE
83	04A40528Y01	WASHER,FELT
84	44A40524Y02	GEAR,CLUTCH
85	41A40529Y01	SPRING,CLUTCH
86	44A40525Y02	GEAR,PINION
87	15A40526Y02	HOLDER,CLUTCH
88	43A41446Y02	SLEEVE,CLUTCH
89	04B41345P25	WASH,L. 3.1X6X0.35
90	03S44205G99	SCR,T-TITE M2X3

## CD Deck Mechanism Assembly Parts List

Note: The part that has not PART NUMBER will not be supplied.

1	01V43800Y84	ASSY,ARM GUIDE 280
2	-----	CHASSIS, TOP
3	45B11564Y02	LEVER, LINK-TOP
4	45B11595Y02	LEVER DISC(R)
5	45B11596Y02	LEVER, DISC(L)
6	41B11613Y16	SPRING, PULL
7	15D50248Y01	GUIDE, TOP-DPS2
8	75A21286Y04	CUSHION, CLAMPER DPS2
9	07C50608Y01	BKT, MOTOR LOAD-P
10	03S40014G07	SCR, MCH M2X4
11	44B11578Y02	GEAR, (A)
12	44B11579Y02	GEAR, (B)
13	44B11580Y02	GEAR, (C)
19	27D11602Y04	CHASSIS, PICKUP
20	47A11575Y01	SHAFT, PICK
21	01V28100Y59	ASSY, SHAFT. SCREW
22	44A70590W03	GEAR, MIDDLE
23	03S72235F96	SCR, MCH M1.7X3.5(SW)
24	07B30337Y02	BKT, SPRING NUT
25	41A11606Y02	SPRING NUT
26	03S94385F18	SCR, NYLON M2X3.5
27	84T01803K01	PANEL, FPC CONT
28	41B11566Y02	SPRING, SHAFT
29	03S70494F13	SCR, P-TITE M2X6 BLK
30	-----	ASSY, RIV. ARM CLAMP
31	-----	LEVER, LOCK
32	07A11565Y02	PLATE, CLAMP
33	03S94385F01	SCR, NYLON M1.7X2.3
34	43A41812Y02	TABLE, CLAMPER2
36	-----	SLIDER DISC
37	45A11599Y02	LEVER, ACTUATOR
38	41B11613Y03	SPRING, PULL
39	41B11613Y05	SPRING, LEV-ACT
40	41A11609Y01	SPRING, LEVER
41	41B40574Y02	SPRING, PLATE-S
42	41B11613Y15	SPRING, PULL
43	41A11040Y02	SPRING, SLED-HOE
44	03S70494F52	SCR, P-TITE M1.4X4.5
45	43A21240Y01	SHEET, FPC PICK
46	-----	ASSY, RIV CHAS BASE
47	45B40510Y02	SLIDER, LOAD
48	44B40527Y02	RACK
49	45A11601Y02	LEVER, TRIGER
50	44B11581Y02	GEAR, (D)
51	45B11594Y02	SLIDER, LOCK(L)
52	45A11592Y02	ARM, LOCK(L2)
53	03A11574Y01	SCREW, LOCK
54	45B11591Y02	ARM, LOCK(L1)
55	07A50606Y01	BKT, MOTOR WIRE-P
56	45B11593Y02	SLIDER, LOCK(R)

57	45B11607Y02	ARM,LOCK(R)
58	45A11597Y02	LEVER,SW
59	41B11613Y04	SPRING,TRIGER
60	75C30466Y04	DAMPER,DPS2
61	41B11613Y06	SPRING,PULL
62	41B11613Y07	SPRING,PULL
63	41B11613Y08	SPRING,PULL
64	41A40518Y01	SPRING,ROL
65	41A31894Y02	SPRING,SLIDER
66	-----	BKT,SP-TOP
67	03A21791Y01	SCREW,M2X3.5 S-TITE
68	07B20905Y02	BKT,FPC CONT
69	30T15126W15	WIRE,PC JOINT 7P
72	41A21613Y02	SPRING,SPINDLE
74	14A30831Y01	INS,CVR
75	43A31443Y01	ROLLER,ARM DISC (C)
77	75C30466Y05	DAMPER,DPS2
78	41B11613Y14	SPLING,PULL
79	04B41345P52	WASH,1.6X3.5X0.25
81	75A21286Y02	CUSHION,CLAMPER BACK
82	44B40523Y02	GEAR,BASE
83	04A40528Y01	WASHER,FELT
84	44A40524Y02	GEAR,CLUTCH
85	41A40529Y01	SPRING,CLUTCH
86	44A40525Y02	GEAR,PINION
87	15A40526Y02	HOLDER,CLUTCH
88	43A41446Y02	SLEEVE,CLUTCH
89	04B41345P25	WASH,L. 3.1X6X0.35
90	03S44205G99	SCR,T-TITE M2X3
91	75A21286Y05	CUSHION,PWB

## Electrical Parts List

Note : #1 : For CDA-9812RB Model Only, \$1 : For CDA-9812RR Model Only,  
 %1 : For CDA-9811R Model Only, Others : Common.

### \*\*\*\*\*MAIN P.W.Board

#### =====IC's

	IC001	51T15731W10	TC7S66F-TE85L	-CP
	IC005	51T15132Y02	SAA6588T	-SE9
#1	IC101	51T15362Y01	TC74HCT7007AFTP2-SE6	
\$1	IC101	51T15362Y01	TC74HCT7007AFTP2-SE6	
#1	IC102	51T55517Y02	NJU7223DL1-33TE1-NE5	
\$1	IC102	51T55517Y02	NJU7223DL1-33TE1-NE5	
	IC201	51T15456Y01	TC74HC4066AFT-EL-SE5	
	IC202	51T65381Y01	TDA7412	-QT
	IC203	51T45654Y02	TC94A04AFD-015	-QT
	IC204	51T93333F01	NJM2904M-TE3	-SE2
	IC301	51T65184Y01	TB2901H	-ZS
	IC302	51T15426Y02	STK475-010	-IB
	IC303	51T15420Y01	BA4560F-E2	-SE2
	IC304	51T15420Y01	BA4560F-E2	-SE2
	IC305	51T15420Y01	BA4560F-E2	-SE2
#1	IC501	51T65275Y01	IC,M30624MWP	
\$1	IC501	51T65275Y01	IC,M30624MWP	
%1	IC501	51T65274Y01	IC,M30624MWP	
	IC502	51T65774Y01	IC,D784216AGC-198-QT	
	IC503	51T25422Y02	TC7W04FK-TE85L	-CP
	IC504	51T93332F01	IC,NJM2903M-TE3	-SE2
	IC505	51T25160Y01	M24C04-WMN6T	-SE2
	IC601	51T93532F05	TC4S01F-TE85L	-CP
	IC801	51T65016Y19	S-80930CNMC-T2	-CP
	IC802	51T65166Y01	MAX829EUK	-CP
	IC810	51T25448Y01	BA6219BFP-Y-E2	-SE9
	IC811	51T45336Y01	L5952	-ZS

#### =====Transistors

	Q001	48T64222F02	TR ,UN2212 22-22	-TX
	Q010	48T45594W16	TR,XN1A311-TX	-CP
#1	Q101	48T73888F12	TR ,CP.FMC2-99	
\$1	Q101	48T73888F12	TR ,CP.FMC2-99	
#1	Q102	48T73888F12	TR ,CP.FMC2-99	
\$1	Q102	48T73888F12	TR ,CP.FMC2-99	
	Q201	48T45594W08	TR ,XN1212	-TX-CP
	Q202	48T64222F02	TR ,UN2212 22-22	-TX
	Q221	48T25317Y01	TR,XN0F256-TX	-CP
	Q222	48T25317Y01	TR,XN0F256-TX	-CP
	Q223	48T25317Y01	TR,XN0F256-TX	-CP
	Q501	48T64221F13	TR,UN211H-TX	-CP
	Q502	48T64222F02	TR ,UN2212 22-22	-TX
	Q503	48T52437F05	TR ,2SB709A-S /TX-CP	
	Q504	48T45594W16	TR,XN1A311-TX	-CP
	Q506	48T64221F02	TR ,UN2112 22-22	-TX
	Q507	48T52438F04	TR ,2SD601A-S /TX-CP	
	Q601	48T64221F11	TR,UN211L-TX	-CP
#1	Q602	48T64222F02	TR ,UN2212 22-22	-TX

\$1	Q602	48T64222F02	TR ,UN2212 22-22 -TX
	Q603	48T64222F02	TR ,UN2212 22-22 -TX
	Q606	48T64222F01	TR ,UN2211 10-10 -TX
	Q607	48T52437F05	TR ,2SB709A-S /TX-CP
	Q645	48T64222F01	TR ,UN2211 10-10 -TX
	Q803	48T45594W12	TR ,XN1A312 -TX-CP
	Q804	48T45594W16	TR ,XN1A311-TX -CP
	Q805	48T45594W12	TR ,XN1A312 -TX-CP
	Q806	48T92368F04	TR,2SD1760 R -E5
	Q807	48T73023F01	TR ,2SD874A -E2
	Q808	48T45594W12	TR ,XN1A312 -TX-CP
	Q809	48T69176F02	TR ,2SC3421-Y
	Q812	48T64221F13	TR,UN211H-TX -CP
	Q813	48T52437F05	TR ,2SB709A-S /TX-CP
	Q824	48T64222F02	TR ,UN2212 22-22 -TX
	Q825	48T45594W12	TR ,XN1A312 -TX-CP
	Q826	48T64222F02	TR ,UN2212 22-22 -TX
	Q827	48T45594W12	TR ,XN1A312 -TX-CP
	Q828	48T45594W12	TR ,XN1A312 -TX-CP
=====Diodes			
	D001	48T85357W01	DIO,1PS226 -CP
#1	D101	48T45701Y01	DIO,MA2S728-TX -CP
\$1	D101	48T45701Y01	DIO,MA2S728-TX -CP
#1	D102	48T45701Y01	DIO,MA2S728-TX -CP
\$1	D102	48T45701Y01	DIO,MA2S728-TX -CP
#1	D103	48T45701Y01	DIO,MA2S728-TX -CP
\$1	D103	48T45701Y01	DIO,MA2S728-TX -CP
	D201	48T81063F01	DIO,CP.MA159 / TX-CP
	D210	48T25651W01	DIO,CP MA152WA
	D211	48T25651W01	DIO,CP MA152WA
	D212	48T25651W01	DIO,CP MA152WA
	D303	48T02162K01	DIO,SHT SRT14 -A5
	D307	48T02162K01	DIO,SHT SRT14 -A5
	D501	48T25651W01	DIO,CP MA152WA
	D503	48T25665Y01	DIO,1SS355-TE17 -CP
	D504	48T25665Y01	DIO,1SS355-TE17 -CP
	D506	48T25651W02	DIO,MA152WK-TX -CP
	D507	48T25665Y01	DIO,1SS355-TE17 -CP
	D508	48T25665Y01	DIO,1SS355-TE17 -CP
	D509	48T25651W02	DIO,MA152WK-TX -CP
	D510	48T44813F03	DIO,MA165 -R5
	D601	48T25651W02	DIO,MA152WK-TX -CP
	D602	48T25651W02	DIO,MA152WK-TX -CP
	D801	48T85268W01	DIO,P300G -
	D802	48T25665Y01	DIO,1SS355-TE17 -CP
	D803	48T25593Y01	DIO,S1G-6904 -E1
	D805	48T25593Y01	DIO,S1G-6904 -E1
	D811	48T81063F01	DIO,CP.MA159 / TX-CP
	D825	48T25665Y01	DIO,1SS355-TE17 -CP
	SD801	48T95294W01	DIO,SHT MA740-TX -CP
	ZD801	48T25766W14	DIO,ZEN.HZS 7B2L -R5
	ZD802	48T25766W38	DIO,ZEN.HZS 12A3L -R5
	ZD803	48T25766W24	DIO,ZEN.HZS 9C1L -R5
	ZD804	48T25064Y02	DIO,ZEN.ZSH5MA27A-ED
	ZD805	48T25766W25	DIO,ZEN.HZS 9C2L -R5
	ZD806	48T62934F14	DIO,ZEN.RD4.3MB3 -CP
=====Coils			

L001	24T25164Y21	IND,FSLM2520 4R7J-CP
L002	24T16403W29	COI,IND.15R-M -CP
L003	24T35286Y01	IND,MG56 523J -DB
L013	24T25164Y21	IND,FSLM2520 4R7J-CP
L802	24T16271W21	IND,RCR-875D 102K +
L803	24T16271W21	IND,RCR-875D 102K +
L804	24T16271W21	IND,RCR-875D 102K +
=====	Filters	
CF001	91T75257W02	LPF,LPF11830KH-3C-DB
L201	91T65112W06	EMI,BK2125HM102 -CP
L202	91T65112W06	EMI,BK2125HM102 -CP
L205	91T65112W06	EMI,BK2125HM102 -CP
L502	91T65112W06	EMI,BK2125HM102 -CP
L503	91T65112W06	EMI,BK2125HM102 -CP
L801	91T65112W01	EMI,BK2125HS121 -CP
=====	Crystals	
XL001	91T25806W18	XTL,4.332M -AT51-TP
XL201	91T55274Y01	XTL,NX5032GA 33.8-E2
XL501	91T55217Y04	XTL,NX8045GB 16.0-E5
XL503	91T55217Y03	XTL,NX8045GB 12.2-E5
=====	LED's	
LD601	48T65477W05	LED,SML-010DTT87 -CP
LD602	48T65477W05	LED,SML-010DTT87 -CP
=====	Thermistors	
TH501	48T25250Y01	TMT,ERTJ1VV104J -CP
TH502	48T25250Y01	TMT,ERTJ1VV104J -CP
=====	Buzzer	
BZ601	50T15447Y02	BUZZER,PKM13EPY -R5
#####	Poly Switch	
PS801	48T95226W01	TMT,PTGL05BA1R8M1-R5
=====	Surge Absorber	
SA001	48T81909F01	PTT,DSP-201M -A1
=====	Switch	
SW332	40T45282W02	SW,SLIDE SLD-42-508X (Ai-NET(EQ/DIV)/NORM)
=====	Capacitors	
C004	08S65128F78	CAP,CER.223K-B1H -CP
C005	08S82122F61	CAP,CER.102J-CH1H-CP
C006	08S65128F78	CAP,CER.223K-B1H -CP
C007	08S65128F78	CAP,CER.223K-B1H -CP
C008	08S45676W73	CAP,CER.103K-B1H -CP
C009	08S45676W73	CAP,CER.103K-B1H -CP
C010	08S82122F49	CAP,CER.331J-CH1H-CP
C013	08S65128F71	CAP,CER.153K-B1H -CP
C016	08S45676W65	CAP,CER.222K-B1H -CP
C017	08S65128F78	CAP,CER.223K-B1H -CP
C018	08S35374W01	CAP,CER 104K-B1E-CP
C019	08S45677W36	CAP,CER.101J-CH1H-CP
C020	08S45676W73	CAP,CER.103K-B1H -CP
C021	08S45677W49	CAP,CER 361J-CH1H-CP
C024	08S65128F90	CAP,CER 473K-B1H -CP
C025	08S45677W22	CAP,CER.27RJ-CH1H-CP
C026	08S45677W22	CAP,CER.27RJ-CH1H-CP
C028	08S45676W65	CAP,CER.222K-B1H -CP
C029	08S35374W01	CAP,CER 104K-B1E-CP
C030	08S45677W54	CAP,CER 561J-CH1H-CP
#1	C100	08S45676W85

\$1	C100	08S45676W85	CAP,CER 104K-B1C -CP
#1	C101	08S45676W85	CAP,CER 104K-B1C -CP
\$1	C101	08S45676W85	CAP,CER 104K-B1C -CP
#1	C102	08S65128F88	CAP,CER 104K-B1H -CP
\$1	C102	08S65128F88	CAP,CER 104K-B1H -CP
	C104	08S65128F78	CAP,CER.223K-B1H -CP
	C105	08S65128F78	CAP,CER.223K-B1H -CP
	C141	08T81833F07	CAP,CER 105K-B1C -CP
	C142	08T81833F07	CAP,CER 105K-B1C -CP
	C201	08S35350Y04	CAP,CER 105K-B1C -CP
	C202	08S45676W73	CAP,CER.103K-B1H -CP
	C203	08S45676W73	CAP,CER.103K-B1H -CP
	C206	08T81833F11	CAP,CER 225K-B1C -CP
	C207	08S45676W65	CAP,CER.222K-B1H -CP
	C208	08S35350Y04	CAP,CER 105K-B1C -CP
	C209	08S82122F61	CAP,CER.102J-CH1H-CP
	C210	08S45676W84	CAP,CER 683K-B1C -CP
	C212	08S35374W01	CAP,CER 104K-B1E-CP
	C215	08S45676W65	CAP,CER.222K-B1H -CP
	C216	08S35349Y13	CAP,CER 684K-B1A -CP
	C217	08S35374W01	CAP,CER 104K-B1E-CP
	C219	08S35350Y04	CAP,CER 105K-B1C -CP
	C220	08S35350Y04	CAP,CER 105K-B1C -CP
	C221	08S35350Y04	CAP,CER 105K-B1C -CP
	C222	08S35350Y04	CAP,CER 105K-B1C -CP
	C223	08S35374W01	CAP,CER 104K-B1E-CP
	C224	08S45677W14	CAP,CER.12RJ-CH1H-CP
	C225	08S45677W14	CAP,CER.12RJ-CH1H-CP
	C226	08S35350Y04	CAP,CER 105K-B1C -CP
	C229	08S45676W69	CAP,CER.472K-B1H -CP
	C230	08S45676W69	CAP,CER.472K-B1H -CP
	C237	08S45676W69	CAP,CER.472K-B1H -CP
	C239	08S45676W69	CAP,CER.472K-B1H -CP
	C243	08S35349Y08	CAP,CER 102K-B1H -CP
	C245	08T81833F11	CAP,CER 225K-B1C -CP
	C246	08S35350Y04	CAP,CER 105K-B1C -CP
	C248	08S35349Y08	CAP,CER 102K-B1H -CP
	C260	08S35350Y04	CAP,CER 105K-B1C -CP
	C261	08S35350Y04	CAP,CER 105K-B1C -CP
	C262	08S35350Y04	CAP,CER 105K-B1C -CP
	C263	08S35350Y04	CAP,CER 105K-B1C -CP
#1	C264	08S35350Y04	CAP,CER 105K-B1C -CP
\$1	C264	08S35350Y04	CAP,CER 105K-B1C -CP
#1	C265	08S35350Y04	CAP,CER 105K-B1C -CP
\$1	C265	08S35350Y04	CAP,CER 105K-B1C -CP
#1	C266	08S35350Y04	CAP,CER 105K-B1C -CP
\$1	C266	08S35350Y04	CAP,CER 105K-B1C -CP
#1	C267	08S35350Y04	CAP,CER 105K-B1C -CP
\$1	C267	08S35350Y04	CAP,CER 105K-B1C -CP
	C301	08S60102F48	CAP,CER 105K-B1E -CP
	C302	08S60102F48	CAP,CER 105K-B1E -CP
	C303	08S60102F48	CAP,CER 105K-B1E -CP
	C304	08S60102F48	CAP,CER 105K-B1E -CP
	C305	08S60102F48	CAP,CER 105K-B1E -CP
	C306	08S65128F90	CAP,CER 473K-B1H -CP
	C307	08T81833F07	CAP,CER 105K-B1C -CP
	C308	08S65128F90	CAP,CER 473K-B1H -CP



C309	08S45677W12	CAP,CER.10RD-CH1H-CP
C311	08S45677W12	CAP,CER.10RD-CH1H-CP
C312	08S45677W12	CAP,CER.10RD-CH1H-CP
C313	08S45677W12	CAP,CER.10RD-CH1H-CP
C314	08S45677W12	CAP,CER.10RD-CH1H-CP
C315	08S45677W12	CAP,CER.10RD-CH1H-CP
C316	08S82122F61	CAP,CER.102J-CH1H-CP
C331	08T25628Y03	CAP,TF 224M-1C -CP
C332	08T25628Y03	CAP,TF 224M-1C -CP
C333	08T25628Y03	CAP,TF 224M-1C -CP
C334	08T25628Y03	CAP,TF 224M-1C -CP
C500	08S45677W60	CAP,CER.102J-CH1H-CP
C501	08S45677W14	CAP,CER.12RJ-CH1H-CP
C502	08S45677W14	CAP,CER.12RJ-CH1H-CP
C503	08S65128F78	CAP,CER.223K-B1H -CP
C504	08S45677W12	CAP,CER.10RD-CH1H-CP
C505	08S45677W12	CAP,CER.10RD-CH1H-CP
C506	08S45677W36	CAP,CER.101J-CH1H-CP
C507	08S45676W73	CAP,CER.103K-B1H -CP
C509	08S45677W22	CAP,CER.27RJ-CH1H-CP
C510	08S65128F78	CAP,CER.223K-B1H -CP
C513	08S65128F88	CAP,CER.104K-B1H -CP
C514	08S35349Y08	CAP,CER.102K-B1H -CP
C515	08S65128F78	CAP,CER.223K-B1H -CP
C517	08S35349Y08	CAP,CER.102K-B1H -CP
C519	08S35374W01	CAP,CER.104K-B1E-CP
C520	08S65128F69	CAP,CER.103K-B1H -CP
C521	08S72783F35	CAP,CP .102-J-CH
C522	08S53332F47	CAP,CP .103-K-B -CP
C601	08S65128F78	CAP,CER.223K-B1H -CP
C602	08S35374W01	CAP,CER.104K-B1E-CP
C603	08S45676W65	CAP,CER.222K-B1H -CP
C604	08S45677W36	CAP,CER.101J-CH1H-CP
C605	08S65128F78	CAP,CER.223K-B1H -CP
C606	08S65128F78	CAP,CER.223K-B1H -CP
C607	08S65128F78	CAP,CER.223K-B1H -CP
C801	08S65128F78	CAP,CER.223K-B1H -CP
C802	08S35374W01	CAP,CER.104K-B1E-CP
C803	08S65128F78	CAP,CER.223K-B1H -CP
C804	08S65128F78	CAP,CER.223K-B1H -CP
C805	08S65128F78	CAP,CER.223K-B1H -CP
C806	08S35374W01	CAP,CER.104K-B1E-CP
C807	08S65128F90	CAP,CER.473K-B1H -CP
C809	08S65128F78	CAP,CER.223K-B1H -CP
C810	08S65128F78	CAP,CER.223K-B1H -CP
C811	08S65128F78	CAP,CER.223K-B1H -CP
C812	08S35374W01	CAP,CER.104K-B1E-CP
C813	08S35374W01	CAP,CER.104K-B1E-CP
C814	08S35374W01	CAP,CER.104K-B1E-CP
C817	08S35374W01	CAP,CER.104K-B1E-CP
C821	08S82122F61	CAP,CER.102J-CH1H-CP
C822	08T65231Y01	CAP,CER.226K-BJ1A-CP
C823	08T65231Y01	CAP,CER.226K-BJ1A-CP
C824	08T65231Y01	CAP,CER.226K-BJ1A-CP
C825	08S60102F48	CAP,CER.105K-B1E -CP
C826	08S60102F48	CAP,CER.105K-B1E -CP
C830	08S65128F78	CAP,CER.223K-B1H -CP

	C831	08T55390W34	CAP,TF 274J-1H -R5
	E001	23S75373W03	CAP,ELY 22R-1C -R2
	E002	23S75373W03	CAP,ELY 22R-1C -R2
	E003	23S75373W03	CAP,ELY 22R-1C -R2
	E009	23S75372W04	CAP,ELY 10R-1C -R2
	E010	23S75373W14	CAP,ELY 2R2-1H -R2
#1	E100	23S55311W29	CAP,TAN 47R-1A-B -CP
\$1	E100	23S55311W29	CAP,TAN 47R-1A-B -CP
#1	E101	23S75372W05	CAP,ELY 22R-1C -R2
\$1	E101	23S75372W05	CAP,ELY 22R-1C -R2
	E102	23S75372W03	CAP,ELY 221-1A -H2
	E104	23S75372W02	CAP,ELY 101-1A -R2
	E201	23S65134W11	CAP,ELY 22R-0J(4)-E2
	E202	23S75373W13	CAP,ELY 1R0-1H -R2
	E203	23S65134W11	CAP,ELY 22R-0J(4)-E2
	E204	23S65134W72	CAP,ELY 3R3-1H(4)-E2
	E205	23S75372W05	CAP,ELY 22R-1C -R2
	E206	23S65134W12	CAP,ELY 47R-0J(5)-E3
	E207	23S75372W02	CAP,ELY 101-1A -R2
	E209	23S65134W12	CAP,ELY 47R-0J(5)-E3
	E210	23S65134W72	CAP,ELY 3R3-1H(4)-E2
	E211	23S65134W72	CAP,ELY 3R3-1H(4)-E2
	E212	23S65134W72	CAP,ELY 3R3-1H(4)-E2
	E213	23S75372W03	CAP,ELY 221-1A -H2
	E214	23S65134W12	CAP,ELY 47R-0J(5)-E3
	E216	23S75373W02	CAP,ELY 10R-1C -R2
	E217	23S65134W41	CAP,ELY 4R7-1E(3)-E2
	E218	23S65134W41	CAP,ELY 4R7-1E(3)-E2
	E220	23S65134W12	CAP,ELY 47R-0J(5)-E3
	E221	23S65134W12	CAP,ELY 47R-0J(5)-E3
	E222	23S65134W12	CAP,ELY 47R-0J(5)-E3
	E223	23S75372W16	CAP,ELY 2R2-1H -R2
	E224	23S75372W16	CAP,ELY 2R2-1H -R2
	E225	23S75372W16	CAP,ELY 2R2-1H -R2
	E226	23S75372W16	CAP,ELY 2R2-1H -R2
	E227	23S75372W16	CAP,ELY 2R2-1H -R2
	E228	23S75372W16	CAP,ELY 2R2-1H -R2
	E301	23S65134W65	CAP,ELY 1R0-1H(3)-E2
	E302	23S75372W16	CAP,ELY 2R2-1H -R2
	E303	23S65134W65	CAP,ELY 1R0-1H(3)-E2
	E304	23S75373W13	CAP,ELY 1R0-1H -R2
	E305	23S95415W18	CAP,ELY 2R2-1H -R2
	E306	23S75373W02	CAP,ELY 10R-1C -R2
	E308	23T75346W04	CAP,X-PRO 252-1D +
	E309	23T75479W38	CAP,VZ 102-1E -H5
	E311	23S65134W65	CAP,ELY 1R0-1H(3)-E2
	E312	23S65134W65	CAP,ELY 1R0-1H(3)-E2
	E313	23S75372W04	CAP,ELY 10R-1C -R2
	E314	23T75346W03	CAP,X-PRO 332-1C +
	E315	23T95564W41	CAP,FC 471-1C-G -EA
	E316	23S75373W13	CAP,ELY 1R0-1H -R2
	E317	23S75372W16	CAP,ELY 2R2-1H -R2
	E318	23S75372W16	CAP,ELY 2R2-1H -R2
	E319	23S75373W13	CAP,ELY 1R0-1H -R2
	E320	23S75373W13	CAP,ELY 1R0-1H -R2
	E323	23S75373W14	CAP,ELY 2R2-1H -R2
	E324	23S75373W14	CAP,ELY 2R2-1H -R2

E325	23S75372W15	CAP,ELY 1R0-1H	-R2	
E326	23S75372W15	CAP,ELY 1R0-1H	-R2	
E327	23S75373W14	CAP,ELY 2R2-1H	-R2	
E501	23S75372W03	CAP,ELY 221-1A	-H2	
E502	23S75372W03	CAP,ELY 221-1A	-H2	
E504	23S75372W05	CAP,ELY 22R-1C	-R2	
E505	23S75373W03	CAP,ELY 22R-1C	-R2	
#1	E601	23S95415W03	CAP,ELY 10R-1C	-R2
\$1	E601	23S95415W03	CAP,ELY 10R-1C	-R2
E802	23S95415W06	CAP,ELY 101-1C	-R2	
E803	23S95415W06	CAP,ELY 101-1C	-R2	
E804	23T55378W03	CAP,KMG 471-1A	-R2	
E805	23S95415W06	CAP,ELY 101-1C	-R2	
E806	23S75373W05	CAP,ELY 47R-1C	-R2	
E807	23S75372W08	CAP,ELY 101-1C	-H2	
E808	23S95415W05	CAP,ELY 47R-1C	-R2	
E809	23S75372W08	CAP,ELY 101-1C	-H2	
E810	23S75373W05	CAP,ELY 47R-1C	-R2	
E811	23S75372W04	CAP,ELY 10R-1C	-R2	
E812	23S55044Y01	CAP,ELY 471-1C	-R3	
E813	23S75373W06	CAP,ELY 101-1C	-R2	
E814	23T45365W03	CAP,SME 221-1A	-R2	
E815	23S75373W04	CAP,ELY 33R-1C	-R2	
E816	23S75372W03	CAP,ELY 221-1A	-H2	
E817	23S75372W07	CAP,ELY 47R-1C	-R2	
E823	23S75373W13	CAP,ELY 1R0-1H	-R2	
E831	23T95564W09	CAP,FC 22R-1C-C	-E3	
E833	23T95564W09	CAP,FC 22R-1C-C	-E3	
E835	23S75372W04	CAP,ELY 10R-1C	-R2	
E836	23T95564W09	CAP,FC 22R-1C-C	-E3	
E837	23S75372W04	CAP,ELY 10R-1C	-R2	
=====	Resistors			
L010	06S55364Y39	RES,RK JUMPER 1/8-CP		
L011	06S55364Y39	RES,RK JUMPER 1/8-CP		
L012	06S55364Y39	RES,RK JUMPER 1/8-CP		
R001	06S35083Y01	RES,RK 10RF 1/4	-CP	
R002	06S55361Y49	RES,RK 221J 1/4	-CP	
R003	06S55365Y65	RES,RK 102J 1/10	-CP	
R004	06S55365Y65	RES,RK 102J 1/10	-CP	
R005	06S55365Y97	RES,RK 223J 1/10	-CP	
R006	06S55365Y97	RES,RK 223J 1/10	-CP	
R007	06S55365Y97	RES,RK 223J 1/10	-CP	
R009	06S55366Y39	RES,RK JUMPER1/10-CP		
R011	06S55365Y77	RES,RK 332J 1/10	-CP	
R012	06S55366Y22	RES,RK 224J 1/10	-CP	
R013	06S55365Y89	RES,RK 103J 1/10	-CP	
R014	06S55365Y89	RES,RK 103J 1/10	-CP	
R015	06S55366Y14	RES,RK 104J 1/10	-CP	
R019	06S55366Y39	RES,RK JUMPER1/10-CP		
R031	06S55362Y39	RES,RK JUMPER 1/4-CP		
R032	06S55364Y39	RES,RK JUMPER 1/8-CP		
R033	06S55364Y39	RES,RK JUMPER 1/8-CP		
R034	06S55365Y65	RES,RK 102J 1/10	-CP	
R035	06S55366Y39	RES,RK JUMPER1/10-CP		
R036	06S55365Y51	RES,RK 271J 1/10	-CP	
R037	06S55365Y51	RES,RK 271J 1/10	-CP	
R038	06S55365Y65	RES,RK 102J 1/10	-CP	

	R040	06S55365Y81	RES,RK 472J 1/10 -CP
	R041	06S55366Y30	RES,RK 474J 1/10 -CP
	R042	06S55365Y65	RES,RK 102J 1/10 -CP
#1	R100	06S55365Y97	RES,RK 223J 1/10 -CP
\$1	R100	06S55365Y97	RES,RK 223J 1/10 -CP
#1	R101	06S55365Y97	RES,RK 223J 1/10 -CP
\$1	R101	06S55365Y97	RES,RK 223J 1/10 -CP
#1	R102	06S55365Y97	RES,RK 223J 1/10 -CP
\$1	R102	06S55365Y97	RES,RK 223J 1/10 -CP
#1	R104	06S55365Y97	RES,RK 223J 1/10 -CP
\$1	R104	06S55365Y97	RES,RK 223J 1/10 -CP
#1	R106	06S55365Y52	RES,RK 301J 1/10 -CP
\$1	R106	06S55365Y52	RES,RK 301J 1/10 -CP
#1	R107	06S55365Y91	RES,RK 123J 1/10 -CP
\$1	R107	06S55365Y91	RES,RK 123J 1/10 -CP
#1	R108	06S55365Y63	RES,RK 821J 1/10 -CP
\$1	R108	06S55365Y63	RES,RK 821J 1/10 -CP
#1	R109	06S55365Y91	RES,RK 123J 1/10 -CP
\$1	R109	06S55365Y91	RES,RK 123J 1/10 -CP
#1	R143	06S55366Y39	RES,RK JUMPER1/10-CP
\$1	R143	06S55366Y39	RES,RK JUMPER1/10-CP
%1	R143	06S55365Y93	RES,RK 153J 1/10 -CP
#1	R144	06S55366Y39	RES,RK JUMPER1/10-CP
\$1	R144	06S55366Y39	RES,RK JUMPER1/10-CP
%1	R144	06S55365Y93	RES,RK 153J 1/10 -CP
%1	R145	06S55365Y93	RES,RK 153J 1/10 -CP
%1	R146	06S55365Y93	RES,RK 153J 1/10 -CP
	R175	06S55366Y30	RES,RK 474J 1/10 -CP
%1	R200	06S55366Y39	RES,RK JUMPER1/10-CP
	R201	06S55365Y98	RES,RK 243J 1/10 -CP
	R204	06S55365Y73	RES,RK 222J 1/10 -CP
	R205	06S55365Y53	RES,RK 331J 1/10 -CP
	R206	06S55365Y57	RES,RK 471J 1/10 -CP
	R207	06S55365Y53	RES,RK 331J 1/10 -CP
	R208	06S55365Y57	RES,RK 471J 1/10 -CP
	R209	06S55366Y06	RES,RK 473J 1/10 -CP
	R210	06S55366Y06	RES,RK 473J 1/10 -CP
	R212	06S55365Y50	RES,RK 241J 1/10 -CP
	R213	06S55365Y65	RES,RK 102J 1/10 -CP
	R214	06S55365Y50	RES,RK 241J 1/10 -CP
	R215	06S55366Y38	RES,RK 105J 1/10 -CP
	R217	06S55364Y39	RES,RK JUMPER 1/8-CP
	R218	06S55364Y39	RES,RK JUMPER 1/8-CP
	R219	06S55364Y39	RES,RK JUMPER 1/8-CP
	R220	06S55365Y65	RES,RK 102J 1/10 -CP
	R222	06S55365Y66	RES,RK 112J 1/10 -CP
	R223	06S55365Y66	RES,RK 112J 1/10 -CP
	R226	06S55363Y49	RES,RK 221J 1/8 -CP
	R227	06S55363Y49	RES,RK 221J 1/8 -CP
	R228	06S55366Y05	RES,RK 433J 1/10 -CP
	R229	06S55366Y05	RES,RK 433J 1/10 -CP
	R230	06S55363Y41	RES,RK 101J 1/8 -CP
	R231	06S55363Y41	RES,RK 101J 1/8 -CP
	R232	06S55365Y65	RES,RK 102J 1/10 -CP
	R237	06S55365Y65	RES,RK 102J 1/10 -CP
	R244	06S55365Y65	RES,RK 102J 1/10 -CP
%1	R253	06S55366Y39	RES,RK JUMPER1/10-CP

%1	R254	06S55366Y39	RES,RK JUMPER1/10-CP
	R261	06S55363Y49	RES,RK 221J 1/8 -CP
	R262	06S55363Y49	RES,RK 221J 1/8 -CP
	R263	06S55366Y05	RES,RK 433J 1/10 -CP
	R264	06S55366Y05	RES,RK 433J 1/10 -CP
	R265	06S55363Y41	RES,RK 101J 1/8 -CP
	R266	06S55363Y41	RES,RK 101J 1/8 -CP
	R271	06S55363Y49	RES,RK 221J 1/8 -CP
	R272	06S55363Y49	RES,RK 221J 1/8 -CP
	R273	06S55366Y05	RES,RK 433J 1/10 -CP
	R274	06S55366Y05	RES,RK 433J 1/10 -CP
	R275	06S55363Y41	RES,RK 101J 1/8 -CP
	R276	06S55363Y41	RES,RK 101J 1/8 -CP
	R301	06S55365Y89	RES,RK 103J 1/10 -CP
	R305	06S55366Y39	RES,RK JUMPER1/10-CP
	R307	06S55365Y97	RES,RK 223J 1/10 -CP
	R308	06S55366Y39	RES,RK JUMPER1/10-CP
	R309	06S55366Y12	RES,RK 823J 1/10 -CP
	R310	06S55366Y39	RES,RK JUMPER1/10-CP
	R311	06S55366Y12	RES,RK 823J 1/10 -CP
	R313	06S55365Y95	RES,RK 183J 1/10 -CP
	R314	06S55365Y97	RES,RK 223J 1/10 -CP
	R316	06S55366Y39	RES,RK JUMPER1/10-CP
	R317	06S55365Y97	RES,RK 223J 1/10 -CP
	R318	06S55366Y12	RES,RK 823J 1/10 -CP
	R319	06S55365Y95	RES,RK 183J 1/10 -CP
	R320	06S55366Y12	RES,RK 823J 1/10 -CP
	R327	06S55365Y95	RES,RK 183J 1/10 -CP
	R328	06S55362Y36	RES,RK 824J 1/4 -CP
	R329	06S55365Y97	RES,RK 223J 1/10 -CP
	R331	06S55365Y97	RES,RK 223J 1/10 -CP
	R332	06S55366Y12	RES,RK 823J 1/10 -CP
	R333	06S55365Y95	RES,RK 183J 1/10 -CP
	R334	06S55366Y12	RES,RK 823J 1/10 -CP
	R335	06S55365Y95	RES,RK 183J 1/10 -CP
	R337	06S55365Y97	RES,RK 223J 1/10 -CP
	R342	06S55365Y95	RES,RK 183J 1/10 -CP
	R500	06S55363Y65	RES,RK 102J 1/8 -CP
	R501	06S55363Y65	RES,RK 102J 1/8 -CP
	R502	06S55363Y65	RES,RK 102J 1/8 -CP
	R503	06S55363Y65	RES,RK 102J 1/8 -CP
	R504	06S55363Y65	RES,RK 102J 1/8 -CP
	R505	06S55363Y65	RES,RK 102J 1/8 -CP
	R506	06S55363Y65	RES,RK 102J 1/8 -CP
	R507	06S55363Y65	RES,RK 102J 1/8 -CP
	R508	06S55365Y89	RES,RK 103J 1/10 -CP
	R509	06S55366Y35	RES,RK 754J 1/10 -CP
	R510	06S55365Y81	RES,RK 472J 1/10 -CP
	R511	06S55363Y65	RES,RK 102J 1/8 -CP
	R512	06S55365Y67	RES,RK 122J 1/10 -CP
	R513	06S55363Y89	RES,RK 103J 1/8 -CP
	R514	06S55365Y89	RES,RK 103J 1/10 -CP
	R515	06S55361Y17	RES,RK 10RJ 1/4 -CP
	R516	06S55361Y31	RES,RK 39RJ 1/4 -CP
	R517	06S55361Y31	RES,RK 39RJ 1/4 -CP
	R518	06S55365Y73	RES,RK 222J 1/10 -CP
	R519	06S55365Y69	RES,RK 152J 1/10 -CP

	R520	06S55365Y85	RES,RK 682J 1/10 -CP
	R521	06S55361Y31	RES,RK 39RJ 1/4 -CP
	R522	06S55361Y31	RES,RK 39RJ 1/4 -CP
	R523	06S55365Y85	RES,RK 682J 1/10 -CP
	R524	06S55365Y89	RES,RK 103J 1/10 -CP
	R525	06S55365Y89	RES,RK 103J 1/10 -CP
	R526	06S55365Y65	RES,RK 102J 1/10 -CP
	R527	06S55365Y65	RES,RK 102J 1/10 -CP
	R528	06S55365Y65	RES,RK 102J 1/10 -CP
	R529	06S55365Y97	RES,RK 223J 1/10 -CP
	R530	06S55365Y97	RES,RK 223J 1/10 -CP
	R531	06S55366Y06	RES,RK 473J 1/10 -CP
	R532	06S55365Y53	RES,RK 331J 1/10 -CP
	R533	06S55365Y65	RES,RK 102J 1/10 -CP
	R534	06S55365Y65	RES,RK 102J 1/10 -CP
	R535	06S55365Y41	RES,RK 101J 1/10 -CP
	R536	06S55365Y65	RES,RK 102J 1/10 -CP
#1	R537	06S55365Y97	RES,RK 223J 1/10 -CP
\$1	R537	06S55365Y97	RES,RK 223J 1/10 -CP
%1	R538	06S55365Y91	RES,RK 123J 1/10 -CP
	R539	06S55365Y65	RES,RK 102J 1/10 -CP
	R540	06S55365Y65	RES,RK 102J 1/10 -CP
	R541	06S55365Y65	RES,RK 102J 1/10 -CP
	R542	06S55366Y30	RES,RK 474J 1/10 -CP
	R543	06S55366Y06	RES,RK 473J 1/10 -CP
	R544	06S55366Y06	RES,RK 473J 1/10 -CP
	R545	06S55365Y65	RES,RK 102J 1/10 -CP
	R546	06S55365Y65	RES,RK 102J 1/10 -CP
	R547	06S55365Y65	RES,RK 102J 1/10 -CP
	R548	06S55365Y65	RES,RK 102J 1/10 -CP
	R549	06S55365Y65	RES,RK 102J 1/10 -CP
	R550	06S55365Y97	RES,RK 223J 1/10 -CP
#1	R551	06S55366Y39	RES,RK JUMPER1/10-CP
\$1	R551	06S55366Y39	RES,RK JUMPER1/10-CP
	R552	06S55366Y39	RES,RK JUMPER1/10-CP
	R553	06S55366Y06	RES,RK 473J 1/10 -CP
	R554	06S55365Y65	RES,RK 102J 1/10 -CP
	R555	06S55365Y65	RES,RK 102J 1/10 -CP
	R556	06S55365Y65	RES,RK 102J 1/10 -CP
	R557	06S55365Y65	RES,RK 102J 1/10 -CP
	R558	06S55365Y89	RES,RK 103J 1/10 -CP
	R559	06S55363Y89	RES,RK 103J 1/8 -CP
	R560	06S55363Y97	RES,RK 223J 1/8 -CP
	R561	06S55365Y97	RES,RK 223J 1/10 -CP
	R562	06S55365Y89	RES,RK 103J 1/10 -CP
	R563	06S55365Y65	RES,RK 102J 1/10 -CP
	R564	06S55365Y65	RES,RK 102J 1/10 -CP
	R565	06S55366Y06	RES,RK 473J 1/10 -CP
	R566	06S55365Y65	RES,RK 102J 1/10 -CP
	R567	06S55365Y65	RES,RK 102J 1/10 -CP
	R568	06S55365Y65	RES,RK 102J 1/10 -CP
	R569	06S55365Y65	RES,RK 102J 1/10 -CP
	R570	06S55365Y65	RES,RK 102J 1/10 -CP
	R571	06S55365Y65	RES,RK 102J 1/10 -CP
	R572	06S55365Y65	RES,RK 102J 1/10 -CP
	R573	06S55365Y65	RES,RK 102J 1/10 -CP
	R574	06S55365Y89	RES,RK 103J 1/10 -CP

	R575	06S55365Y83	RES,RK 562J 1/10 -CP
	R576	06S55365Y57	RES,RK 471J 1/10 -CP
	R577	06S55365Y53	RES,RK 331J 1/10 -CP
	R578	06S55366Y06	RES,RK 473J 1/10 -CP
	R579	06S55365Y65	RES,RK 102J 1/10 -CP
	R580	06S55366Y06	RES,RK 473J 1/10 -CP
	R581	06S15593Y57	RES,RK 222F 1/10 -CP
	R582	06S15593Y53	RES,RK 152F 1/10 -CP
	R583	06S15593Y55	RES,RK 182F 1/10 -CP
#1	R584	06S55366Y06	RES,RK 473J 1/10 -CP
\$1	R585	06S55365Y65	RES,RK 102J 1/10 -CP
	R585	06S55365Y65	RES,RK 102J 1/10 -CP
	R586	06S55365Y97	RES,RK 223J 1/10 -CP
	R587	06S55365Y97	RES,RK 223J 1/10 -CP
	R588	06S55365Y97	RES,RK 223J 1/10 -CP
	R589	06S55361Y49	RES,RK 221J 1/4 -CP
	R590	06S55365Y57	RES,RK 471J 1/10 -CP
	R591	06S55365Y69	RES,RK 152J 1/10 -CP
	R592	06S55365Y73	RES,RK 222J 1/10 -CP
	R593	06S55363Y75	RES,RK 272J 1/8 -CP
	R594	06S55366Y39	RES,RK JUMPER1/10-CP
	R595	06S55365Y97	RES,RK 223J 1/10 -CP
	R596	06S55365Y65	RES,RK 102J 1/10 -CP
	R597	06S55365Y65	RES,RK 102J 1/10 -CP
	R598	06S55365Y65	RES,RK 102J 1/10 -CP
	R599	06S55365Y65	RES,RK 102J 1/10 -CP
	R601	06S55361Y89	RES,RK 103J 1/4 -CP
	R602	06S55366Y06	RES,RK 473J 1/10 -CP
#1	R603	06S55361Y89	RES,RK 103J 1/4 -CP
\$1	R603	06S55361Y89	RES,RK 103J 1/4 -CP
	R604	06S55365Y89	RES,RK 103J 1/10 -CP
	R605	06S55361Y65	RES,RK 102J 1/4 -CP
	R606	06S55363Y89	RES,RK 103J 1/8 -CP
	R607	06S55361Y41	RES,RK 101J 1/4 -CP
	R608	06S55365Y73	RES,RK 222J 1/10 -CP
	R609	06S55365Y77	RES,RK 332J 1/10 -CP
	R610	06S55366Y30	RES,RK 474J 1/10 -CP
	R611	06S55365Y97	RES,RK 223J 1/10 -CP
	R612	06S55365Y65	RES,RK 102J 1/10 -CP
	R613	06S55361Y29	RES,RK 33RJ 1/4 -CP
	R614	06S55361Y29	RES,RK 33RJ 1/4 -CP
	R615	06S55361Y29	RES,RK 33RJ 1/4 -CP
	R616	06S55361Y29	RES,RK 33RJ 1/4 -CP
	R617	06S55361Y29	RES,RK 33RJ 1/4 -CP
	R618	06S55361Y29	RES,RK 33RJ 1/4 -CP
	R619	06S55362Y06	RES,RK 473J 1/4 -CP
	R620	06S55362Y06	RES,RK 473J 1/4 -CP
	R621	06S55365Y97	RES,RK 223J 1/10 -CP
	R622	06S55366Y06	RES,RK 473J 1/10 -CP
	R623	06S55366Y06	RES,RK 473J 1/10 -CP
#1	R624	06S55362Y06	RES,RK 473J 1/4 -CP
\$1	R624	06S55362Y06	RES,RK 473J 1/4 -CP
#1	R625	06S55366Y06	RES,RK 473J 1/10 -CP
\$1	R625	06S55366Y06	RES,RK 473J 1/10 -CP
	R655	06S55361Y56	RES,RK 431J 1/4 -CP
	R801	06S55365Y53	RES,RK 331J 1/10 -CP
	R802	06S55365Y57	RES,RK 471J 1/10 -CP

R803	06S45348Y31	RES,RK 224F 1/4 -CP	
R806	06S55361Y81	RES,RK 472J 1/4 -CP	
R807	06S55361Y81	RES,RK 472J 1/4 -CP	
R808	06S55365Y97	RES,RK 223J 1/10 -CP	
R809	06S15593Y87	RES,RK 393F 1/10 -CP	
R811	06S55365Y97	RES,RK 223J 1/10 -CP	
R812	06S15593Y73	RES,RK 103F 1/10 -CP	
R813	06S55361Y55	RES,RK 391J 1/4 -CP	
R815	06S55361Y57	RES,RK 471J 1/4 -CP	
R817	06S55365Y97	RES,RK 223J 1/10 -CP	
R819	06S35083Y32	RES,RK 392F 1/4 -CP	
R821	06S55365Y97	RES,RK 223J 1/10 -CP	
R822	06S55361Y61	RES,RK 681J 1/4 -CP	
R823	06S15593Y93	RES,RK 683F 1/10 -CP	
R824	06S15593Y83	RES,RK 273F 1/10 -CP	
R826	06S55366Y24	RES,RK 274J 1/10 -CP	
R827	06S55366Y39	RES,RK JUMPER1/10-CP	
R829	06S55364Y39	RES,RK JUMPER 1/8-CP	
R830	06S55361Y41	RES,RK 101J 1/4 -CP	
R831	06S55365Y77	RES,RK 332J 1/10 -CP	
R832	06S55361Y69	RES,RK 152J 1/4 -CP	
R833	06S55361Y89	RES,RK 103J 1/4 -CP	
R872	06S55361Y65	RES,RK 102J 1/4 -CP	
R873	06S55366Y06	RES,RK 473J 1/10 -CP	
R874	06S55365Y49	RES,RK 221J 1/10 -CP	
R879	06S55365Y89	RES,RK 103J 1/10 -CP	
R880	06S55366Y39	RES,RK JUMPER1/10-CP	
=====Connectors			
	CB331	09T25436Y03	WTB,53253-0310 -DB
	CB501	09T45434W15	FFC,52271-1590 -ED
	CB601	09T03498K02	WTB,53253-0210 -DB
	CB804	09T03498K02	WTB,53253-0210 -DB
%1	CH101	09T25261Y22	FFC,SFW22R-1STE1 -EQ
#1	CH102	09T25261Y22	FFC,SFW22R-1STE1 -EQ
\$1	CH102	09T25261Y22	FFC,SFW22R-1STE1 -EQ

\*\*\*\*\*FRONT P.W.Board(CDA-9812RB Model Only)

=====IC's

IC401	51T02347K01	PT6583LQ	-QT
IC402	51T02236K01	PT6523LQ	-QT
IC403	51T55628Y01	RS-671	-NE2
IC404	51T55235Y01	TC74VHC595FT-EL	-SE5

=====Transistors

Q401	48T64222F01	TR ,UN2211 10-10 -TX
Q402	48T64222F01	TR ,UN2211 10-10 -TX
Q403	48T64222F01	TR ,UN2211 10-10 -TX
Q404	48T64222F01	TR ,UN2211 10-10 -TX
Q406	48T63788F04	TR ,CP.2SD1328-T -TX
Q407	48T73023F01	TR ,2SD874A -E2
Q408	48T63788F04	TR ,CP.2SD1328-T -TX
Q409	48T52438F04	TR ,2SD601A-S /TX-CP
Q410	48T52438F04	TR ,2SD601A-S /TX-CP
Q411	48T52438F04	TR ,2SD601A-S /TX-CP
Q412	48T63788F04	TR ,CP.2SD1328-T -TX
Q413	48T63788F04	TR ,CP.2SD1328-T -TX
Q414	48T64222F02	TR ,UN2212 22-22 -TX

=====Diodes



D401	48T81063F01	DIO,CP.MA159 / TX-CP
D402	48T94471F04	DIO,IMN10-T108 -CP
D405	48T85357W01	DIO,1PS226 -CP
D406	48T85357W01	DIO,1PS226 -CP
D407	48T85357W01	DIO,1PS226 -CP
D408	48T85357W01	DIO,1PS226 -CP
D409	48T85357W01	DIO,1PS226 -CP
D410	48T85357W01	DIO,1PS226 -CP
D411	48T85357W01	DIO,1PS226 -CP
D412	48T81063F01	DIO,CP.MA159 / TX-CP
ZD401	48T84735F21	DIO,ZEN.MA3082-H -CP
ZD402	48T15541Y23	DIO,ZEN MAZS180 -CP
ZD403	48T15541Y23	DIO,ZEN MAZS180 -CP
ZD404	48T15541Y23	DIO,ZEN MAZS180 -CP
ZD405	48T15541Y23	DIO,ZEN MAZS180 -CP
ZD408	48T62934F26	DIO,ZEN.RD6.2MB3 -CP
ZD409	48T62934F26	DIO,ZEN.RD6.2MB3 -CP
=====LED's		
LD401	48T25534Y02	LED,RED BR1111C -CP
LD402	48T25534Y02	LED,RED BR1111C -CP
LD403	48T25534Y02	LED,RED BR1111C -CP
LD404	48T65176Y02	LED,BLU DB1111C -CP
LD406	48T65176Y02	LED,BLU DB1111C -CP
LD407	48T65176Y02	LED,BLU DB1111C -CP
LD408	48T25534Y03	LED,AMB AA1111C -CP
LD409	48T25534Y03	LED,AMB AA1111C -CP
LD410	48T25534Y03	LED,AMB AA1111C -CP
LD411	48T65176Y02	LED,BLU DB1111C -CP
LD412	48T65176Y02	LED,BLU DB1111C -CP
LD413	48T25534Y01	LED,GRN BG1111C -CP
LD414	48T25534Y01	LED,GRN BG1111C -CP
LD415	48T25534Y01	LED,GRN BG1111C -CP
LD416	48T25534Y01	LED,GRN BG1111C -CP
LD417	48T65285Y01	LED,AMB FA1112C -CP
LD418	48T65285Y01	LED,AMB FA1112C -CP
LD419	48T65285Y01	LED,AMB FA1112C -CP
LD420	48T65285Y01	LED,AMB FA1112C -CP
LD421	48T25534Y03	LED,AMB AA1111C -CP
LD422	48T25534Y03	LED,AMB AA1111C -CP
LD423	48T25534Y03	LED,AMB AA1111C -CP
LD424	48T25534Y03	LED,AMB AA1111C -CP
LD425	48T25534Y01	LED,GRN BG1111C -CP
LD426	48T25534Y01	LED,GRN BG1111C -CP
LD427	48T25534Y01	LED,GRN BG1111C -CP
LD428	48T25534Y01	LED,GRN BG1111C -CP
LD429	48T25534Y01	LED,GRN BG1111C -CP
LD430	48T25534Y01	LED,GRN BG1111C -CP
LD431	48T25534Y01	LED,GRN BG1111C -CP
LD432	48T45280Y01	LED,WHT NSCWS405T-E2
LD433	48T45280Y01	LED,WHT NSCWS405T-E2
LD434	48T45280Y01	LED,WHT NSCWS405T-E2
LD435	48T45280Y01	LED,WHT NSCWS405T-E2
LD436	48T45280Y01	LED,WHT NSCWS405T-E2
LD437	48T45280Y01	LED,WHT NSCWS405T-E2
LD438	48T25534Y01	LED,GRN BG1111C -CP
LD439	48T25534Y01	LED,GRN BG1111C -CP
LD440	48T25534Y01	LED,GRN BG1111C -CP

LD441	48T25534Y01	LED,GRN BG1111C -CP
LD442	48T25534Y01	LED,GRN BG1111C -CP
LD443	48T25534Y01	LED,GRN BG1111C -CP
LD444	48T65176Y02	LED,BLU DB1111C -CP
LD445	48T65176Y02	LED,BLU DB1111C -CP
=====Switches		
SW400	40T65353Y01	SW,TACT SKRSPACE010E2 (RESET)
SW401	40T65353Y01	SW,TACT SKRSPACE010E2 (SOURCE/POWER)
SW402	40T65353Y01	SW,TACT SKRSPACE010E2 (FWD/UP)
SW403	40T65353Y01	SW,TACT SKRSPACE010E2 (CENTER f)
SW404	40T65353Y01	SW,TACT SKRSPACE010E2 (3/PTY)
SW405	40T65353Y01	SW,TACT SKRSPACE010E2 (PLAY/PAUSE/TUNE/A.ME)
SW406	40T65353Y01	SW,TACT SKRSPACE010E2 (TITLE)
SW407	40T65353Y01	SW,TACT SKRSPACE010E2 (4/REPEAT/(P/S))
SW408	40T65353Y01	SW,TACT SKRSPACE010E2 (BAND/TEL.)
SW409	40T65353Y01	SW,TACT SKRSPACE010E2 (T.INFO)
SW410	40T65353Y01	SW,TACT SKRSPACE010E2 (F/SETUP)
SW411	40T65353Y01	SW,TACT SKRSPACE010E2 (DISP/B.OUT)
SW412	40T65353Y01	SW,TACT SKRSPACE010E2 (MX)
SW413	40T65353Y01	SW,TACT SKRSPACE010E2 (1/AF)
SW414	40T65353Y01	SW,TACT SKRSPACE010E2 (5/M.I.X.)
SW415	40T65353Y01	SW,TACT SKRSPACE010E2 (EJECT)
SW416	40T65353Y01	SW,TACT SKRSPACE010E2 (BWD/DN)
SW417	40T65353Y01	SW,TACT SKRSPACE010E2 (T.CORR/X-OVER)
SW418	40T65353Y01	SW,TACT SKRSPACE010E2 (2/P.PTY)
SW419	40T65353Y01	SW,TACT SKRSPACE010E2 (6/SCAN)
SW420	40T65353Y01	SW,TACT SKRSPACE010E2 (TILT UP/DN)
SW422	40T65353Y01	SW,TACT SKRSPACE010E2 (FOLDER UP)
SW423	40T65353Y01	SW,TACT SKRSPACE010E2 (FOLDER SEARCH)
SW424	40T65353Y01	SW,TACT SKRSPACE010E2 (FOLDER DOWN)
=====Capacitors		
C401	08S45676W89	CAP,CER 473K-B1E -CP
C402	08S45677W60	CAP,CER 102J-CH1H-CP

C403	08S45676W89	CAP,CER 473K-B1E -CP
C404	08S45676W89	CAP,CER 473K-B1E -CP
C405	08S45676W89	CAP,CER 473K-B1E -CP
C406	08S45676W89	CAP,CER 473K-B1E -CP
C407	08S45676W89	CAP,CER 473K-B1E -CP
C408	08S45677W56	CAP,CER 681J-CH1H-CP
C409	08T81833F08	CAP,CER 475K-B1A -CP
C410	08S45677W36	CAP,CER.101J-CH1H-CP
C411	08S45676W64	CAP,CER.182K-B1H -CP
C412	08S45676W64	CAP,CER.182K-B1H -CP
C413	08S45676W64	CAP,CER.182K-B1H -CP
C414	08S45676W64	CAP,CER.182K-B1H -CP
C415	08S45676W64	CAP,CER.182K-B1H -CP
C416	08S45676W64	CAP,CER.182K-B1H -CP
C417	08S45676W80	CAP,CER 223K-B1E -CP
C418	08S45676W89	CAP,CER 473K-B1E -CP
C420	08S45677W36	CAP,CER.101J-CH1H-CP
E402	23S55311W42	CAP,TAN.4R7-1D-B -CP
===== Resistors		
R400	06S55361Y91	RES,RK 123J 1/4 -CP
R401	06S55363Y65	RES,RK 102J 1/8 -CP
R402	06S55363Y65	RES,RK 102J 1/8 -CP
R403	06S55363Y65	RES,RK 102J 1/8 -CP
R404	06S55363Y65	RES,RK 102J 1/8 -CP
R405	06S55363Y65	RES,RK 102J 1/8 -CP
R406	06S55363Y65	RES,RK 102J 1/8 -CP
R407	06S55363Y65	RES,RK 102J 1/8 -CP
R408	06S55361Y81	RES,RK 472J 1/4 -CP
R409	06S55361Y81	RES,RK 472J 1/4 -CP
R410	06S55361Y81	RES,RK 472J 1/4 -CP
R411	06S55361Y65	RES,RK 102J 1/4 -CP
R413	06S55361Y41	RES,RK 101J 1/4 -CP
R414	06S55361Y49	RES,RK 221J 1/4 -CP
R415	06S55361Y41	RES,RK 101J 1/4 -CP
R416	06S55361Y49	RES,RK 221J 1/4 -CP
R418	06S55361Y53	RES,RK 331J 1/4 -CP
R419	06S55361Y53	RES,RK 331J 1/4 -CP
R420	06S55361Y58	RES,RK 511J 1/4 -CP
R421	06S55361Y58	RES,RK 511J 1/4 -CP
R422	06S55361Y58	RES,RK 511J 1/4 -CP
R423	06S55361Y58	RES,RK 511J 1/4 -CP
R424	06S55361Y58	RES,RK 511J 1/4 -CP
R425	06S55365Y81	RES,RK 472J 1/10 -CP
R427	06S55366Y05	RES,RK 433J 1/10 -CP
R428	06S55361Y50	RES,RK 241J 1/4 -CP
R429	06S55365Y65	RES,RK 102J 1/10 -CP
R430	06S55361Y45	RES,RK 151J 1/4 -CP
R431	06S55365Y97	RES,RK 223J 1/10 -CP
R432	06S55361Y45	RES,RK 151J 1/4 -CP
R433	06S55365Y81	RES,RK 472J 1/10 -CP
R434	06S55361Y61	RES,RK 681J 1/4 -CP
R435	06S55361Y49	RES,RK 221J 1/4 -CP
R436	06S55365Y81	RES,RK 472J 1/10 -CP
R437	06S55361Y41	RES,RK 101J 1/4 -CP
R438	06S55365Y65	RES,RK 102J 1/10 -CP
R439	06S55366Y05	RES,RK 433J 1/10 -CP
R440	06S55361Y50	RES,RK 241J 1/4 -CP

R442	06S55362Y39	RES,RK JUMPER 1/4-CP
R443	06S55366Y14	RES,RK 104J 1/10 -CP
R444	06S55365Y81	RES,RK 472J 1/10 -CP
R445	06S55361Y49	RES,RK 221J 1/4 -CP
R446	06S55363Y41	RES,RK 101J 1/8 -CP
R447	06S55365Y97	RES,RK 223J 1/10 -CP
R448	06S55365Y65	RES,RK 102J 1/10 -CP
R449	06S55361Y41	RES,RK 101J 1/4 -CP
R450	06S55361Y41	RES,RK 101J 1/4 -CP
R451	06S55365Y81	RES,RK 472J 1/10 -CP
R452	06S55361Y37	RES,RK 68RJ 1/4 -CP
R454	06S55365Y81	RES,RK 472J 1/10 -CP
R455	06S55365Y65	RES,RK 102J 1/10 -CP
R456	06S55365Y65	RES,RK 102J 1/10 -CP
R457	06S55365Y65	RES,RK 102J 1/10 -CP
R458	06S55365Y65	RES,RK 102J 1/10 -CP
R460	06S55365Y65	RES,RK 102J 1/10 -CP
R461	06S55365Y65	RES,RK 102J 1/10 -CP
R462	06S55365Y65	RES,RK 102J 1/10 -CP
R463	06S55365Y65	RES,RK 102J 1/10 -CP
R464	06S55365Y65	RES,RK 102J 1/10 -CP
R465	06S55365Y65	RES,RK 102J 1/10 -CP
R466	06S55365Y65	RES,RK 102J 1/10 -CP
R467	06S55365Y65	RES,RK 102J 1/10 -CP
R468	06S55365Y89	RES,RK 103J 1/10 -CP
R469	06S55365Y89	RES,RK 103J 1/10 -CP
R470	06S55365Y89	RES,RK 103J 1/10 -CP
R471	06S55365Y89	RES,RK 103J 1/10 -CP
R472	06S55365Y65	RES,RK 102J 1/10 -CP
R473	06S55365Y65	RES,RK 102J 1/10 -CP
R474	06S55365Y65	RES,RK 102J 1/10 -CP
R475	06S55365Y65	RES,RK 102J 1/10 -CP
R476	06S55361Y57	RES,RK 471J 1/4 -CP
R477	06S55361Y41	RES,RK 101J 1/4 -CP
R480	06S55365Y81	RES,RK 472J 1/10 -CP
R481	06S55361Y49	RES,RK 221J 1/4 -CP
R482	06S55361Y49	RES,RK 221J 1/4 -CP
R483	06S55365Y81	RES,RK 472J 1/10 -CP
R484	06S55361Y57	RES,RK 471J 1/4 -CP
R485	06S55361Y57	RES,RK 471J 1/4 -CP

\*\*\*\*\*FRONT P.W.Board(CDA-9812RR Model Only)

=====IC's

IC401	51T02347K01	PT6583LQ	-QT
IC402	51T02236K01	PT6523LQ	-QT
IC403	51T55628Y01	RS-671	-NE2
IC404	51T55235Y01	TC74VHC595FT-EL	-SE5

=====Transistors

Q401	48T64222F01	TR ,UN2211 10-10 -TX
Q402	48T64222F01	TR ,UN2211 10-10 -TX
Q403	48T64222F01	TR ,UN2211 10-10 -TX
Q404	48T64222F01	TR ,UN2211 10-10 -TX
Q407	48T73023F01	TR ,2SD874A -E2
Q408	48T63788F04	TR ,CP.2SD1328-T -TX
Q409	48T52438F04	TR ,2SD601A-S /TX-CP
Q410	48T52438F04	TR ,2SD601A-S /TX-CP
Q411	48T52438F04	TR ,2SD601A-S /TX-CP

Q414	48T64222F02	TR ,UN2212 22-22 -TX
=====Diodes		
D401	48T81063F01	DIO,CP.MA159 / TX-CP
D402	48T94471F04	DIO,IMN10-T108 -CP
D405	48T85357W01	DIO,1PS226 -CP
D406	48T85357W01	DIO,1PS226 -CP
D407	48T85357W01	DIO,1PS226 -CP
D408	48T85357W01	DIO,1PS226 -CP
D409	48T85357W01	DIO,1PS226 -CP
D410	48T85357W01	DIO,1PS226 -CP
D411	48T85357W01	DIO,1PS226 -CP
D412	48T81063F01	DIO,CP.MA159 / TX-CP
ZD401	48T84735F21	DIO,ZEN.MA3082-H -CP
ZD402	48T15541Y23	DIO,ZEN MAZS180 -CP
ZD403	48T15541Y23	DIO,ZEN MAZS180 -CP
ZD404	48T15541Y23	DIO,ZEN MAZS180 -CP
ZD405	48T15541Y23	DIO,ZEN MAZS180 -CP
ZD408	48T62934F26	DIO,ZEN.RD6.2MB3 -CP
ZD409	48T62934F26	DIO,ZEN.RD6.2MB3 -CP
=====LED's		
LD401	48T25534Y02	LED,RED BR1111C -CP
LD402	48T25534Y02	LED,RED BR1111C -CP
LD403	48T25534Y02	LED,RED BR1111C -CP
LD404	48T25534Y02	LED,RED BR1111C -CP
LD406	48T25534Y02	LED,RED BR1111C -CP
LD407	48T25534Y02	LED,RED BR1111C -CP
LD408	48T25534Y02	LED,RED BR1111C -CP
LD409	48T25534Y02	LED,RED BR1111C -CP
LD410	48T25534Y02	LED,RED BR1111C -CP
LD411	48T25534Y02	LED,RED BR1111C -CP
LD412	48T25534Y02	LED,RED BR1111C -CP
LD413	48T25534Y02	LED,RED BR1111C -CP
LD414	48T25534Y02	LED,RED BR1111C -CP
LD415	48T25534Y02	LED,RED BR1111C -CP
LD416	48T25534Y02	LED,RED BR1111C -CP
LD417	48T65285Y01	LED,AMB FA1112C -CP
LD418	48T65285Y01	LED,AMB FA1112C -CP
LD419	48T65285Y01	LED,AMB FA1112C -CP
LD420	48T65285Y01	LED,AMB FA1112C -CP
LD421	48T25534Y03	LED,AMB AA1111C -CP
LD422	48T25534Y03	LED,AMB AA1111C -CP
LD423	48T25534Y03	LED,AMB AA1111C -CP
LD424	48T25534Y03	LED,AMB AA1111C -CP
LD425	48T25534Y02	LED,RED BR1111C -CP
LD426	48T25534Y02	LED,RED BR1111C -CP
LD427	48T25534Y02	LED,RED BR1111C -CP
LD428	48T25534Y02	LED,RED BR1111C -CP
LD429	48T25534Y02	LED,RED BR1111C -CP
LD430	48T25534Y02	LED,RED BR1111C -CP
LD431	48T25534Y02	LED,RED BR1111C -CP
LD432	48T45280Y01	LED,WHT NSCWS405T-E2
LD433	48T45280Y01	LED,WHT NSCWS405T-E2
LD434	48T45280Y01	LED,WHT NSCWS405T-E2
LD435	48T45280Y01	LED,WHT NSCWS405T-E2
LD436	48T45280Y01	LED,WHT NSCWS405T-E2
LD437	48T45280Y01	LED,WHT NSCWS405T-E2
LD438	48T25534Y02	LED,RED BR1111C -CP

LD439	48T25534Y02	LED,RED BR1111C -CP
LD440	48T25534Y02	LED,RED BR1111C -CP
LD441	48T25534Y02	LED,RED BR1111C -CP
LD442	48T25534Y02	LED,RED BR1111C -CP
LD443	48T25534Y02	LED,RED BR1111C -CP
LD444	48T25534Y02	LED,RED BR1111C -CP
LD445	48T25534Y02	LED,RED BR1111C -CP
=====Switches		
SW400	40T65353Y01	SW,TACT SKRSPACE010E2 (RESET)
SW401	40T65353Y01	SW,TACT SKRSPACE010E2 (SOURCE/POWER)
SW402	40T65353Y01	SW,TACT SKRSPACE010E2 (FWD/UP)
SW403	40T65353Y01	SW,TACT SKRSPACE010E2 (CENTER f)
SW404	40T65353Y01	SW,TACT SKRSPACE010E2 (3/PTY)
SW405	40T65353Y01	SW,TACT SKRSPACE010E2 (PLAY/PAUSE/TUNE/A.ME)
SW406	40T65353Y01	SW,TACT SKRSPACE010E2 (TITLE)
SW407	40T65353Y01	SW,TACT SKRSPACE010E2 (4/REPEAT/(P/S))
SW408	40T65353Y01	SW,TACT SKRSPACE010E2 (BAND/TEL.)
SW409	40T65353Y01	SW,TACT SKRSPACE010E2 (T.INFO)
SW410	40T65353Y01	SW,TACT SKRSPACE010E2 (F/SETUP)
SW411	40T65353Y01	SW,TACT SKRSPACE010E2 (DISP/B.OUT)
SW412	40T65353Y01	SW,TACT SKRSPACE010E2 (MX)
SW413	40T65353Y01	SW,TACT SKRSPACE010E2 (1/AF)
SW414	40T65353Y01	SW,TACT SKRSPACE010E2 (5/M.I.X.)
SW415	40T65353Y01	SW,TACT SKRSPACE010E2 (EJECT)
SW416	40T65353Y01	SW,TACT SKRSPACE010E2 (BWD/DN)
SW417	40T65353Y01	SW,TACT SKRSPACE010E2 (T.CORR/X-OVER)
SW418	40T65353Y01	SW,TACT SKRSPACE010E2 (2/P.PTY)
SW419	40T65353Y01	SW,TACT SKRSPACE010E2 (6/SCAN)
SW420	40T65353Y01	SW,TACT SKRSPACE010E2 (TILT UP/DN)
SW422	40T65353Y01	SW,TACT SKRSPACE010E2 (FOLDER UP)
SW423	40T65353Y01	SW,TACT SKRSPACE010E2 (FOLDER SEARCH)
SW424	40T65353Y01	SW,TACT SKRSPACE010E2 (FOLDER DOWN)
=====Capacitors		

C401	08S45676W89	CAP,CER 473K-B1E -CP
C402	08S45677W60	CAP,CER 102J-CH1H-CP
C403	08S45676W89	CAP,CER 473K-B1E -CP
C404	08S45676W89	CAP,CER 473K-B1E -CP
C405	08S45676W89	CAP,CER 473K-B1E -CP
C406	08S45676W89	CAP,CER 473K-B1E -CP
C407	08S45676W89	CAP,CER 473K-B1E -CP
C408	08S45677W56	CAP,CER 681J-CH1H-CP
C409	08T81833F08	CAP,CER 475K-B1A -CP
C410	08S45677W36	CAP,CER.101J-CH1H-CP
C411	08S45676W64	CAP,CER.182K-B1H -CP
C412	08S45676W64	CAP,CER.182K-B1H -CP
C413	08S45676W64	CAP,CER.182K-B1H -CP
C414	08S45676W64	CAP,CER.182K-B1H -CP
C415	08S45676W64	CAP,CER.182K-B1H -CP
C416	08S45676W64	CAP,CER.182K-B1H -CP
C417	08S45676W80	CAP,CER 223K-B1E -CP
C418	08S45676W89	CAP,CER 473K-B1E -CP
C420	08S45677W36	CAP,CER.101J-CH1H-CP
E402	23S55311W42	CAP,TAN.4R7-1D-B -CP

=====**Resistors**

R400	06S55361Y91	RES,RK 123J 1/4 -CP
R401	06S55363Y65	RES,RK 102J 1/8 -CP
R402	06S55363Y65	RES,RK 102J 1/8 -CP
R403	06S55363Y65	RES,RK 102J 1/8 -CP
R404	06S55363Y65	RES,RK 102J 1/8 -CP
R405	06S55363Y65	RES,RK 102J 1/8 -CP
R406	06S55363Y65	RES,RK 102J 1/8 -CP
R407	06S55363Y65	RES,RK 102J 1/8 -CP
R408	06S55361Y81	RES,RK 472J 1/4 -CP
R409	06S55361Y81	RES,RK 472J 1/4 -CP
R410	06S55361Y81	RES,RK 472J 1/4 -CP
R411	06S55361Y60	RES,RK 621J 1/4 -CP
R413	06S55361Y49	RES,RK 221J 1/4 -CP
R414	06S55361Y49	RES,RK 221J 1/4 -CP
R415	06S55361Y49	RES,RK 221J 1/4 -CP
R416	06S55361Y49	RES,RK 221J 1/4 -CP
R418	06S55361Y52	RES,RK 301J 1/4 -CP
R419	06S55361Y52	RES,RK 301J 1/4 -CP
R420	06S55361Y58	RES,RK 511J 1/4 -CP
R421	06S55361Y51	RES,RK 271J 1/4 -CP
R422	06S55361Y51	RES,RK 271J 1/4 -CP
R423	06S55361Y51	RES,RK 271J 1/4 -CP
R424	06S55361Y51	RES,RK 271J 1/4 -CP
R425	06S55365Y81	RES,RK 472J 1/10 -CP
R427	06S55366Y05	RES,RK 433J 1/10 -CP
R428	06S55361Y52	RES,RK 301J 1/4 -CP
R429	06S55365Y65	RES,RK 102J 1/10 -CP
R430	06S55362Y39	RES,RK JUMPER 1/4-CP
R431	06S55365Y97	RES,RK 223J 1/10 -CP
R432	06S55362Y39	RES,RK JUMPER 1/4-CP
R434	06S55361Y61	RES,RK 681J 1/4 -CP
R435	06S55361Y49	RES,RK 221J 1/4 -CP
R436	06S55365Y81	RES,RK 472J 1/10 -CP
R437	06S55361Y49	RES,RK 221J 1/4 -CP
R438	06S55365Y65	RES,RK 102J 1/10 -CP
R439	06S55366Y05	RES,RK 433J 1/10 -CP

R440	06S55361Y54	RES,RK 361J 1/4 -CP
R442	06S55362Y39	RES,RK JUMPER 1/4-CP
R443	06S55366Y14	RES,RK 104J 1/10 -CP
R444	06S55365Y81	RES,RK 472J 1/10 -CP
R445	06S55361Y49	RES,RK 221J 1/4 -CP
R446	06S55363Y41	RES,RK 101J 1/8 -CP
R447	06S55365Y97	RES,RK 223J 1/10 -CP
R448	06S55365Y65	RES,RK 102J 1/10 -CP
R449	06S55361Y41	RES,RK 101J 1/4 -CP
R450	06S55361Y41	RES,RK 101J 1/4 -CP
R451	06S55365Y81	RES,RK 472J 1/10 -CP
R452	06S55361Y37	RES,RK 68RJ 1/4 -CP
R454	06S55365Y81	RES,RK 472J 1/10 -CP
R455	06S55365Y65	RES,RK 102J 1/10 -CP
R456	06S55365Y65	RES,RK 102J 1/10 -CP
R457	06S55365Y65	RES,RK 102J 1/10 -CP
R458	06S55365Y65	RES,RK 102J 1/10 -CP
R460	06S55365Y65	RES,RK 102J 1/10 -CP
R461	06S55365Y65	RES,RK 102J 1/10 -CP
R462	06S55365Y65	RES,RK 102J 1/10 -CP
R463	06S55365Y65	RES,RK 102J 1/10 -CP
R464	06S55365Y65	RES,RK 102J 1/10 -CP
R465	06S55365Y65	RES,RK 102J 1/10 -CP
R466	06S55365Y65	RES,RK 102J 1/10 -CP
R467	06S55365Y65	RES,RK 102J 1/10 -CP
R468	06S55365Y89	RES,RK 103J 1/10 -CP
R469	06S55365Y89	RES,RK 103J 1/10 -CP
R470	06S55365Y89	RES,RK 103J 1/10 -CP
R471	06S55365Y89	RES,RK 103J 1/10 -CP
R472	06S55365Y65	RES,RK 102J 1/10 -CP
R473	06S55365Y65	RES,RK 102J 1/10 -CP
R474	06S55365Y65	RES,RK 102J 1/10 -CP
R475	06S55365Y65	RES,RK 102J 1/10 -CP
R476	06S55361Y57	RES,RK 471J 1/4 -CP
R477	06S55361Y41	RES,RK 101J 1/4 -CP
R481	06S55362Y39	RES,RK JUMPER 1/4-CP
R482	06S55362Y39	RES,RK JUMPER 1/4-CP
R484	06S55362Y39	RES,RK JUMPER 1/4-CP
R485	06S55362Y39	RES,RK JUMPER 1/4-CP

\*\*\*\*\*FRONT P.W.Board(CDA-9811R Model Only)

=====IC's

IC401	51T02347K01	PT6583LQ	-QT
IC403	51T55628Y01	RS-671	-NE2
IC404	51T55235Y01	TC74VHC595FT-EL	-SE5

=====Transistors

Q401	48T64222F01	TR ,UN2211 10-10 -TX
Q402	48T64222F01	TR ,UN2211 10-10 -TX
Q403	48T64222F01	TR ,UN2211 10-10 -TX
Q404	48T64222F01	TR ,UN2211 10-10 -TX
Q407	48T73023F01	TR ,2SD874A -E2
Q408	48T63788F04	TR ,CP.2SD1328-T -TX
Q409	48T52438F04	TR ,2SD601A-S /TX-CP
Q411	48T52438F04	TR ,2SD601A-S /TX-CP
Q414	48T64222F02	TR ,UN2212 22-22 -TX

=====Diodes

D401	48T81063F01	DIO,CP.MA159 / TX-CP
------	-------------	----------------------



D402	48T94471F04	DIO,IMN10-T108	-CP
D405	48T85357W01	DIO,1PS226	-CP
D406	48T85357W01	DIO,1PS226	-CP
D407	48T85357W01	DIO,1PS226	-CP
D408	48T85357W01	DIO,1PS226	-CP
D409	48T85357W01	DIO,1PS226	-CP
D410	48T85357W01	DIO,1PS226	-CP
D411	48T85357W01	DIO,1PS226	-CP
D412	48T81063F01	DIO,CP.MA159 / TX-CP	
ZD401	48T84735F21	DIO,ZEN.MA3082-H	-CP
ZD402	48T15541Y23	DIO,ZEN MAZS180	-CP
ZD403	48T15541Y23	DIO,ZEN MAZS180	-CP
ZD408	48T62934F26	DIO,ZEN.RD6.2MB3	-CP
ZD409	48T62934F26	DIO,ZEN.RD6.2MB3	-CP
=====LED's			
LD401	48T25534Y02	LED,RED BR1111C	-CP
LD402	48T25534Y02	LED,RED BR1111C	-CP
LD403	48T25534Y02	LED,RED BR1111C	-CP
LD404	48T65176Y01	LED,GRN DG1111C	-CP
LD406	48T25534Y01	LED,GRN BG1111C	-CP
LD407	48T25534Y01	LED,GRN BG1111C	-CP
LD408	48T25534Y03	LED,AMB AA1111C	-CP
LD409	48T25534Y03	LED,AMB AA1111C	-CP
LD410	48T25534Y03	LED,AMB AA1111C	-CP
LD413	48T25534Y01	LED,GRN BG1111C	-CP
LD414	48T25534Y01	LED,GRN BG1111C	-CP
LD415	48T25534Y01	LED,GRN BG1111C	-CP
LD416	48T25534Y01	LED,GRN BG1111C	-CP
LD417	48T65285Y01	LED,AMB FA1112C	-CP
LD418	48T65285Y01	LED,AMB FA1112C	-CP
LD419	48T65285Y01	LED,AMB FA1112C	-CP
LD420	48T65285Y01	LED,AMB FA1112C	-CP
LD421	48T25534Y03	LED,AMB AA1111C	-CP
LD422	48T25534Y03	LED,AMB AA1111C	-CP
LD423	48T25534Y03	LED,AMB AA1111C	-CP
LD424	48T25534Y03	LED,AMB AA1111C	-CP
LD425	48T25534Y01	LED,GRN BG1111C	-CP
LD426	48T25534Y01	LED,GRN BG1111C	-CP
LD427	48T25534Y01	LED,GRN BG1111C	-CP
LD428	48T25534Y01	LED,GRN BG1111C	-CP
LD429	48T25534Y01	LED,GRN BG1111C	-CP
LD430	48T25534Y01	LED,GRN BG1111C	-CP
LD431	48T25534Y01	LED,GRN BG1111C	-CP
LD432	48T45280Y01	LED,WHT NSCWS405T-E2	
LD433	48T45280Y01	LED,WHT NSCWS405T-E2	
LD434	48T45280Y01	LED,WHT NSCWS405T-E2	
LD435	48T45280Y01	LED,WHT NSCWS405T-E2	
=====Switches			
SW400	40T65353Y01	SW,TACT SKRSPACE010E2 (RESET)	
SW401	40T65353Y01	SW,TACT SKRSPACE010E2 (SOURCE/POWER)	
SW402	40T65353Y01	SW,TACT SKRSPACE010E2 (FWD/UP)	
SW403	40T65353Y01	SW,TACT SKRSPACE010E2 (CENTER f)	
SW404	40T65353Y01	SW,TACT SKRSPACE010E2	

		(3/PTY)
SW405	40T65353Y01	SW,TACT SKRSPACE010E2
		(PLAY/PAUSE/TUNE/A.ME)
SW406	40T65353Y01	SW,TACT SKRSPACE010E2
		(TITLE)
SW407	40T65353Y01	SW,TACT SKRSPACE010E2
		(4/REPEAT)
SW408	40T65353Y01	SW,TACT SKRSPACE010E2
		(BAND/TEL.)
SW409	40T65353Y01	SW,TACT SKRSPACE010E2
		(T.INFO)
SW410	40T65353Y01	SW,TACT SKRSPACE010E2
		(F/SETUP)
SW411	40T65353Y01	SW,TACT SKRSPACE010E2
		(DISP/B.OUT)
SW412	40T65353Y01	SW,TACT SKRSPACE010E2
		(MX)
SW413	40T65353Y01	SW,TACT SKRSPACE010E2
		(1/AF)
SW414	40T65353Y01	SW,TACT SKRSPACE010E2
		(5/M.I.X.)
SW415	40T65353Y01	SW,TACT SKRSPACE010E2
		(EJECT)
SW416	40T65353Y01	SW,TACT SKRSPACE010E2
		(BWD/DN)
SW417	40T65353Y01	SW,TACT SKRSPACE010E2
		(T.CORR/X-OVER)
SW418	40T65353Y01	SW,TACT SKRSPACE010E2
		(2/P.PTY)
SW419	40T65353Y01	SW,TACT SKRSPACE010E2
		(6/SCAN)
SW420	40T65353Y01	SW,TACT SKRSPACE010E2
		(TILT UP/DN)
SW422	40T65353Y01	SW,TACT SKRSPACE010E2
		(FOLDER UP)
SW423	40T65353Y01	SW,TACT SKRSPACE010E2
		(FOLDER SEARCH)
SW424	40T65353Y01	SW,TACT SKRSPACE010E2
		(FOLDER DOWN)
=====Lamps		
PL401	65T35324Y02	LAMP,GRN 6-80 -E5
PL402	65T35324Y02	LAMP,GRN 6-80 -E5
PL403	65T35324Y02	LAMP,GRN 6-80 -E5
PL404	65T35324Y02	LAMP,GRN 6-80 -E5
=====Capacitors		
C405	08S53332F62	CAP,CP .473-K-B -CP
C406	08S45676W89	CAP,CER 473K-B1E -CP
C407	08S45676W89	CAP,CER 473K-B1E -CP
C408	08S45677W56	CAP,CER 681J-CH1H-CP
C409	08T81833F08	CAP,CER 475K-B1A -CP
C410	08S45677W36	CAP,CER.101J-CH1H-CP
C411	08S45676W64	CAP,CER.182K-B1H -CP
C412	08S45676W64	CAP,CER.182K-B1H -CP
C413	08S45676W64	CAP,CER.182K-B1H -CP
C414	08S45676W64	CAP,CER.182K-B1H -CP
C417	08S45676W80	CAP,CER 223K-B1E -CP
C418	08S45676W89	CAP,CER 473K-B1E -CP

C420	08S45677W36	CAP,CER.101J-CH1H-CP
=====Resistors		
R400	06S55361Y91	RES,RK 123J 1/4 -CP
R401	06S55363Y65	RES,RK 102J 1/8 -CP
R402	06S55363Y65	RES,RK 102J 1/8 -CP
R403	06S55363Y65	RES,RK 102J 1/8 -CP
R404	06S55363Y65	RES,RK 102J 1/8 -CP
R405	06S55363Y65	RES,RK 102J 1/8 -CP
R406	06S55363Y65	RES,RK 102J 1/8 -CP
R407	06S55363Y65	RES,RK 102J 1/8 -CP
R408	06S55361Y81	RES,RK 472J 1/4 -CP
R409	06S55361Y81	RES,RK 472J 1/4 -CP
R410	06S55361Y81	RES,RK 472J 1/4 -CP
R411	06S55361Y84	RES,RK 622J 1/4 -CP
R413	06S55361Y30	RES,RK 36RJ 1/4 -CP
R415	06S55361Y30	RES,RK 36RJ 1/4 -CP
R416	06S55361Y30	RES,RK 36RJ 1/4 -CP
R417	06S55361Y30	RES,RK 36RJ 1/4 -CP
R418	06S55361Y51	RES,RK 271J 1/4 -CP
R419	06S55361Y48	RES,RK 201J 1/4 -CP
R420	06S55361Y58	RES,RK 511J 1/4 -CP
R423	06S55361Y28	RES,RK 30RJ 1/4 -CP
R424	06S55361Y28	RES,RK 30RJ 1/4 -CP
R425	06S55361Y28	RES,RK 30RJ 1/4 -CP
R426	06S55365Y81	RES,RK 472J 1/10 -CP
R428	06S55361Y50	RES,RK 241J 1/4 -CP
R429	06S55365Y65	RES,RK 102J 1/10 -CP
R431	06S55365Y97	RES,RK 223J 1/10 -CP
R434	06S55361Y61	RES,RK 681J 1/4 -CP
R435	06S55361Y49	RES,RK 221J 1/4 -CP
R436	06S55365Y81	RES,RK 472J 1/10 -CP
R437	06S55361Y41	RES,RK 101J 1/4 -CP
R438	06S55365Y65	RES,RK 102J 1/10 -CP
R439	06S55366Y05	RES,RK 433J 1/10 -CP
R440	06S55361Y50	RES,RK 241J 1/4 -CP
R442	06S55362Y39	RES,RK JUMPER 1/4-CP
R443	06S55366Y14	RES,RK 104J 1/10 -CP
R444	06S55365Y81	RES,RK 472J 1/10 -CP
R445	06S55361Y49	RES,RK 221J 1/4 -CP
R446	06S55363Y41	RES,RK 101J 1/8 -CP
R447	06S55365Y97	RES,RK 223J 1/10 -CP
R448	06S55365Y65	RES,RK 102J 1/10 -CP
R449	06S55361Y41	RES,RK 101J 1/4 -CP
R450	06S55361Y41	RES,RK 101J 1/4 -CP
R454	06S55365Y81	RES,RK 472J 1/10 -CP
R476	06S55361Y57	RES,RK 471J 1/4 -CP
R477	06S55365Y65	RES,RK 102J 1/10 -CP
R478	06S55365Y65	RES,RK 102J 1/10 -CP
R479	06S55365Y65	RES,RK 102J 1/10 -CP
R480	06S55365Y65	RES,RK 102J 1/10 -CP
R484	06S55365Y65	RES,RK 102J 1/10 -CP
R485	06S55365Y65	RES,RK 102J 1/10 -CP
R486	06S55365Y65	RES,RK 102J 1/10 -CP
R487	06S55365Y65	RES,RK 102J 1/10 -CP
R488	06S55365Y65	RES,RK 102J 1/10 -CP
R489	06S55365Y65	RES,RK 102J 1/10 -CP
R490	06S55365Y65	RES,RK 102J 1/10 -CP

R491	06S55365Y65	RES,RK 102J 1/10 -CP
R492	06S55365Y89	RES,RK 103J 1/10 -CP
R493	06S55365Y89	RES,RK 103J 1/10 -CP
R494	06S55365Y89	RES,RK 103J 1/10 -CP
R495	06S55365Y89	RES,RK 103J 1/10 -CP
R496	06S55366Y39	RES,RK JUMPER1/10-CP

\*\*\*\*\*DP-S MAIN P.W.Board(CDA-9812RB Model Only)

=====IC's

IC101	51T55083Y01	TA2157FN-EL	-SE6
IC102	51T55086Y01	TC94A14FA	-QT
IC103	51T25503Y01	BA5985FM-E2	-SEA
IC104	51T65105Y01	IC,TMP91CP27U	-QT
IC201	51T55534Y02	TC94A20F-008	-QT
IC801	51T35243Y02	RN5RZ25BA-TR	-CP
IC802	51T35243Y02	RN5RZ25BA-TR	-CP

=====Transistors

Q101	48T55462Y01	TR,2SB1132-QR-100-E2
Q102	48T45251W53	TR ,UN5112 22-22 -CP
Q801	48T25462Y02	TR,UNR212X-00L -CP
Q802	48T45251W03	TR ,UN5212 22-22 -CP
Q803	48T45594W12	TR ,XN1A312 -TX-CP

=====Diode

D101	48T55105Y01	DIO,SHT RB161M-20-CP
------	-------------	----------------------

=====Coils

L201	24T25164Y21	IND,FSLM2520 4R7J-CP
L202	24T25164Y21	IND,FSLM2520 4R7J-CP
L203	24T25164Y21	IND,FSLM2520 4R7J-CP
L204	24T25164Y33	IND,FSLM2520 4R7J-CP

=====Crystals

CL101	91T65422Y01	OSC,CER CSTCG27M0-CP
XL201	91T35227Y01	XTL,CS10 16.9344M-E2

=====Filters

L101	91T15509Y08	EMI,BK1608HM102 -CP
L102	91T15509Y08	EMI,BK1608HM102 -CP

=====Capacitors

C101	08S45676W73	CAP,CER.103K-B1H -CP
C102	08S45676W80	CAP,CER 223K-B1E -CP
C103	08S45676W80	CAP,CER 223K-B1E -CP
C104	08S45676W89	CAP,CER 473K-B1E -CP
C105	08S45676W89	CAP,CER 473K-B1E -CP
C106	08S45677W20	CAP,CER.22RJ-CH1H-CP
C108	08S45677W03	CAP,CER 1R5C-CH1H-CP
C109	08S45677W20	CAP,CER.22RJ-CH1H-CP
C110	08S45676W85	CAP,CER 104K-B1C -CP
C111	08S45676W85	CAP,CER 104K-B1C -CP
C112	08S45676W69	CAP,CER.472K-B1H -CP
C113	08S45676W85	CAP,CER 104K-B1C -CP
C114	08S45677W28	CAP,CER 47RJ-CH1H-CP
C115	08S45676W75	CAP,CER.153K-B1H -CP
C116	08S45676W73	CAP,CER.103K-B1H -CP
C117	08S45676W66	CAP,CER.272K-B1H -CP
C118	08S45676W73	CAP,CER.103K-B1H -CP
C119	08S45676W85	CAP,CER 104K-B1C -CP
C120	08S45676W87	CAP,CER 333K-B1E -CP
C121	08S45676W71	CAP,CER.682K-B1H -CP
C122	08S45676W73	CAP,CER.103K-B1H -CP

C123	08S45676W89	CAP,CER 473K-B1E -CP
C124	08S45676W89	CAP,CER 473K-B1E -CP
C125	08S82122F63	CAP,CER 122J-CH1H-CP
C126	08S45676W65	CAP,CER.222K-B1H -CP
C127	08S45676W73	CAP,CER.103K-B1H -CP
C128	08S45676W73	CAP,CER.103K-B1H -CP
C129	08S45676W85	CAP,CER 104K-B1C -CP
C130	08S45676W85	CAP,CER 104K-B1C -CP
C131	08S45676W85	CAP,CER 104K-B1C -CP
C132	08S35350Y05	CAP,CER 105K-B1A -CP
C133	08S45676W85	CAP,CER 104K-B1C -CP
C134	08S45676W85	CAP,CER 104K-B1C -CP
C135	08S45676W85	CAP,CER 104K-B1C -CP
C136	08S45676W73	CAP,CER.103K-B1H -CP
C138	08S45677W42	CAP,CER.181J-CH1H-CP
C139	08S45676W93	CAP,CER 224K-B1A -CP
C140	08S45676W85	CAP,CER 104K-B1C -CP
C142	08S45676W85	CAP,CER 104K-B1C -CP
C143	08T81833F12	CAP,CER 106K-B1A -CP
C144	08T81833F12	CAP,CER 106K-B1A -CP
C145	08T81833F12	CAP,CER 106K-B1A -CP
C201	08S45676W80	CAP,CER 223K-B1E -CP
C202	08S45677W14	CAP,CER.12RJ-CH1H-CP
C203	08S45677W12	CAP,CER.10RD-CH1H-CP
C204	08S45676W85	CAP,CER 104K-B1C -CP
C205	08S35374W07	CAP,CER 334K-B1C -CP
C206	08S45677W44	CAP,CER.221J-CH1H-CP
C207	08S45676W85	CAP,CER 104K-B1C -CP
C208	08S45676W85	CAP,CER 104K-B1C -CP
C209	08S45676W85	CAP,CER 104K-B1C -CP
C210	08S45676W85	CAP,CER 104K-B1C -CP
C212	08S45676W85	CAP,CER 104K-B1C -CP
C213	08S45676W85	CAP,CER 104K-B1C -CP
C214	08S45676W85	CAP,CER 104K-B1C -CP
C215	08S45676W69	CAP,CER.472K-B1H -CP
C216	08S45676W69	CAP,CER.472K-B1H -CP
C217	08S45676W73	CAP,CER.103K-B1H -CP
C218	08S45676W73	CAP,CER.103K-B1H -CP
C219	08S45676W85	CAP,CER 104K-B1C -CP
C220	08S45677W18	CAP,CER.18RJ-CH1H-CP
C221	08T65231Y01	CAP,CER 226K-BJ1A-CP
C801	08S45676W80	CAP,CER 223K-B1E -CP
C802	08S45676W85	CAP,CER 104K-B1C -CP
C803	08S45676W80	CAP,CER 223K-B1E -CP
C804	08S45676W85	CAP,CER 104K-B1C -CP
C805	08S45676W80	CAP,CER 223K-B1E -CP
C806	08S45676W80	CAP,CER 223K-B1E -CP
C807	08S45676W80	CAP,CER 223K-B1E -CP
E102	23T45152Y02	CAP,RA 47R-05 -E5
E105	23T45152Y03	CAP,RA 22R-OJ -E5
E106	23T45152Y04	CAP,RA 10R-1C -E5
E107	23T45152Y04	CAP,RA 10R-1C -E5
E108	23T45152Y03	CAP,RA 22R-OJ -E5
E201	23T45152Y02	CAP,RA 47R-05 -E5
E202	23T45152Y02	CAP,RA 47R-05 -E5
E203	23T45152Y02	CAP,RA 47R-05 -E5
E204	23T45152Y03	CAP,RA 22R-OJ -E5

E205	23T45152Y03	CAP,RA 22R-OJ -E5
E206	23T45152Y03	CAP,RA 22R-OJ -E5
E801	23T45152Y02	CAP,RA 47R-05 -E5
E802	23T45152Y05	CAP,RA 4R7-1V -E5
E803	23T45152Y02	CAP,RA 47R-05 -E5
E804	23T45152Y02	CAP,RA 47R-05 -E5
=====Resistors		
R101	06S55366Y13	RES,RK 913J 1/10 -CP
R102	06S55366Y13	RES,RK 913J 1/10 -CP
R103	06S45674W97	RES,RK 473J 1/10 -CP
R104	06S45674W97	RES,RK 473J 1/10 -CP
R105	06S45675W45	RES,RK 1R0J 1/10 -CP
R106	06S45674W95	RES,RK 393J 1/10 -CP
R109	06S45674W89	RES,RK 223J 1/10 -CP
R110	06S45674W81	RES,RK 103J 1/10 -CP
R111	06S45674W81	RES,RK 103J 1/10 -CP
R112	06S55365Y86	RES,RK 752J 1/10 -CP
R113	06S45674W33	RES,RK 101J 1/10 -CP
R114	06S45674W95	RES,RK 393J 1/10 -CP
R115	06S45674W33	RES,RK 101J 1/10 -CP
R116	06S45674W57	RES,RK 102J 1/10 -CP
R117	06S45674W33	RES,RK 101J 1/10 -CP
R118	06S45675W34	RES,RK 225J 1/10 -CP
R119	06S45675W22	RES,RK 474J 1/10 -CP
R120	06S45674W97	RES,RK 473J 1/10 -CP
R121	06S45674W75	RES,RK 562J 1/10 -CP
R122	06S45674W85	RES,RK 153J 1/10 -CP
R123	06S45674W81	RES,RK 103J 1/10 -CP
R124	06S45674W57	RES,RK 102J 1/10 -CP
R125	06S45674W69	RES,RK 332J 1/10 -CP
R126	06S45674W69	RES,RK 332J 1/10 -CP
R127	06S45674W57	RES,RK 102J 1/10 -CP
R128	06S45674W57	RES,RK 102J 1/10 -CP
R129	06S45674W57	RES,RK 102J 1/10 -CP
R130	06S45674W57	RES,RK 102J 1/10 -CP
R131	06S45674W33	RES,RK 101J 1/10 -CP
R132	06S45674W33	RES,RK 101J 1/10 -CP
R133	06S45674W91	RES,RK 273J 1/10 -CP
R134	06S45674W81	RES,RK 103J 1/10 -CP
R135	06S45674W81	RES,RK 103J 1/10 -CP
R136	06S45674W81	RES,RK 103J 1/10 -CP
R137	06S45674W81	RES,RK 103J 1/10 -CP
R138	06S45674W81	RES,RK 103J 1/10 -CP
R139	06S45674W77	RES,RK 682J 1/10 -CP
R140	06S45674W89	RES,RK 223J 1/10 -CP
R141	06S55366Y13	RES,RK 913J 1/10 -CP
R142	06S45674W95	RES,RK 393J 1/10 -CP
R143	06S55365Y50	RES,RK 241J 1/10 -CP
R144	06S45675W20	RES,RK 394J 1/10 -CP
R145	06S45674W33	RES,RK 101J 1/10 -CP
R146	06S45674W33	RES,RK 101J 1/10 -CP
R147	06S45675W06	RES,RK 104J 1/10 -CP
R148	06S45674W97	RES,RK 473J 1/10 -CP
R149	06S45674W97	RES,RK 473J 1/10 -CP
R150	06S45674W33	RES,RK 101J 1/10 -CP
R151	06S45674W33	RES,RK 101J 1/10 -CP
R152	06S45674W33	RES,RK 101J 1/10 -CP

R153	06S45674W41	RES,RK 221J 1/10 -CP
R154	06S45674W33	RES,RK 101J 1/10 -CP
R156	06S45674W97	RES,RK 473J 1/10 -CP
R157	06S45674W33	RES,RK 101J 1/10 -CP
R158	06S45674W33	RES,RK 101J 1/10 -CP
R159	06S45674W33	RES,RK 101J 1/10 -CP
R160	06S45674W65	RES,RK 222J 1/10 -CP
R161	06S45674W65	RES,RK 222J 1/10 -CP
R164	06S45674W97	RES,RK 473J 1/10 -CP
R166	06S45674W33	RES,RK 101J 1/10 -CP
R167	06S45675W30	RES,RK 105J 1/10 -CP
R168	06S45674W33	RES,RK 101J 1/10 -CP
R169	06S45674W97	RES,RK 473J 1/10 -CP
R170	06S45675W06	RES,RK 104J 1/10 -CP
R171	06S45674W97	RES,RK 473J 1/10 -CP
R172	06S45674W97	RES,RK 473J 1/10 -CP
R173	06S45675W06	RES,RK 104J 1/10 -CP
R174	06S45674W97	RES,RK 473J 1/10 -CP
R175	06S45674W97	RES,RK 473J 1/10 -CP
R176	06S45674W97	RES,RK 473J 1/10 -CP
R181	06S45674W41	RES,RK 221J 1/10 -CP
R182	06S45674W41	RES,RK 221J 1/10 -CP
R183	06S45674W41	RES,RK 221J 1/10 -CP
R184	06S45674W33	RES,RK 101J 1/10 -CP
R201	06S45675W30	RES,RK 105J 1/10 -CP
R202	06S45674W25	RES,RK 47RJ 1/10 -CP
R203	06S45674W41	RES,RK 221J 1/10 -CP
R204	06S45674W45	RES,RK 331J 1/10 -CP
R205	06S45674W45	RES,RK 331J 1/10 -CP
R206	06S45674W97	RES,RK 473J 1/10 -CP
R207	06S45674W73	RES,RK 472J 1/10 -CP
R208	06S45674W33	RES,RK 101J 1/10 -CP
R209	06S45674W33	RES,RK 101J 1/10 -CP
R210	06S45675W24	RES,RK 564J 1/10 -CP
R211	06S45674W73	RES,RK 472J 1/10 -CP
R212	06S45674W35	RES,RK 121J 1/10 -CP
R213	06S45674W35	RES,RK 121J 1/10 -CP
R214	06S45674W28	RES,RK 62RJ 1/10 -CP
R215	06S45674W28	RES,RK 62RJ 1/10 -CP
R216	06S45674W37	RES,RK 151J 1/10 -CP
R801	06S45675W22	RES,RK 474J 1/10 -CP
R802	06S45675W18	RES,RK 334J 1/10 -CP
R803	06S45674W97	RES,RK 473J 1/10 -CP
RA102	06S45591W15	RES,ARY MNR472J 4-CP
RA103	06S45591W15	RES,ARY MNR472J 4-CP
RA104	06S45591W02	RES,ARY MNR473J 4-CP
RA105	06S45591W02	RES,ARY MNR473J 4-CP
RA106	06S45591W02	RES,ARY MNR473J 4-CP
RA107	06S45591W02	RES,ARY MNR473J 4-CP
RA108	06S45591W14	RES,ARY MNR471J 4-CP
RA109	06S45591W14	RES,ARY MNR471J 4-CP
RA110	06S45591W02	RES,ARY MNR473J 4-CP

=====**Connectors**

CB101	09T55174Y15	FFC,IMSA9616S-15Y-ED
CB102	09T55174Y22	FFC,IMSA9616S-22Y-EQ
CB103	09T55174Y07	FFC,IMSA9616S-07Y-E9

\*\*\*\*\*DP-S MAIN P.W.Board(CDA-9811R Model Only)

=====IC's		
IC201	51T55329Y02	IC,D789026GB-A82 -QT
IC301	51T55156Y01	UPD63711A -QT
IC302	51T55295Y01	AN80M50RSPE1 -NE5
IC401	51T55093Y01	BA5984FP-E2 -SEA
=====Transistors		
Q301	48T55462Y01	TR,2SB1132-QR-100-E2
Q401	48T94606F03	TR,DTC124EUA-T106-CP
=====Diode		
D401	48T81063F01	DIO,CP.MA159 / TX-CP
=====Crystals		
CL201	91T45281Y03	OSC,CER CSTCR4M19-E1
CL301	91T55147Y01	OSC,CER CSACV16M9-E1
=====Capacitors		
C238	08S45676W85	CAP,CER 104K-B1C -CP
C240	08S45676W85	CAP,CER 104K-B1C -CP
C241	08S45676W73	CAP,CER.103K-B1H -CP
C246	08S45676W85	CAP,CER 104K-B1C -CP
C302	08S45676W85	CAP,CER 104K-B1C -CP
C304	08S45676W80	CAP,CER 223K-B1E -CP
C305	08S45676W85	CAP,CER 104K-B1C -CP
C306	08S45676W85	CAP,CER 104K-B1C -CP
C308	08S45676W85	CAP,CER 104K-B1C -CP
C310	08S45676W85	CAP,CER 104K-B1C -CP
C311	08S45676W73	CAP,CER.103K-B1H -CP
C314	08S45676W65	CAP,CER.222K-B1H -CP
C315	08S45676W65	CAP,CER.222K-B1H -CP
C318	08S45676W73	CAP,CER.103K-B1H -CP
C319	08S45676W85	CAP,CER 104K-B1C -CP
C320	08S45676W85	CAP,CER 104K-B1C -CP
C321	08S45676W85	CAP,CER 104K-B1C -CP
C322	08S45676W87	CAP,CER 333K-B1E -CP
C323	08S45676W85	CAP,CER 104K-B1C -CP
C324	08S45676W85	CAP,CER 104K-B1C -CP
C325	08S45676W68	CAP,CER.392K-B1H -CP
C326	08S45676W93	CAP,CER 224K-B1A -CP
C327	08S45677W20	CAP,CER.22RJ-CH1H-CP
C328	08S45677W03	CAP,CER 1R5C-CH1H-CP
C330	08S45677W30	CAP,CER.56RJ-CH1H-CP
C331	08S45677W26	CAP,CER.39RJ-CH1H-CP
C332	08S45676W85	CAP,CER 104K-B1C -CP
C334	08S45676W85	CAP,CER 104K-B1C -CP
C336	08S45676W85	CAP,CER 104K-B1C -CP
C341	08S45677W20	CAP,CER.22RJ-CH1H-CP
C345	08S45677W60	CAP,CER 102J-CH1H-CP
C346	08S45677W60	CAP,CER 102J-CH1H-CP
C409	08S45676W85	CAP,CER 104K-B1C -CP
C449	08S45677W40	CAP,CER.151J-CH1H-CP
C450	08S45677W54	CAP,CER 561J-CH1H-CP
E239	23T45152Y02	CAP,RA 47R-05 -E5
E301	23T45152Y02	CAP,RA 47R-05 -E5
E303	23S55311W35	CAP,TAN 10R-1C-B -CP
E310	23S55311W35	CAP,TAN 10R-1C-B -CP
E316	23T45152Y02	CAP,RA 47R-05 -E5
E317	23T45152Y03	CAP,RA 22R-OJ -E5
E329	23S55311W28	CAP,TAN 22R-1A-B -CP



E331	23S55311W31	CAP,TAN.2R2-1C-A -CP
E333	23T45152Y04	CAP,RA 10R-1C -E5
E337	23T45152Y02	CAP,RA 47R-05 -E5
E338	23S55311W35	CAP,TAN 10R-1C-B -CP
E407	23T45152Y04	CAP,RA 10R-1C -E5
=====Resistors		
R201	06S45674W97	RES,RK 473J 1/10 -CP
R202	06S45674W97	RES,RK 473J 1/10 -CP
R203	06S45674W97	RES,RK 473J 1/10 -CP
R212	06S45674W33	RES,RK 101J 1/10 -CP
R226	06S45674W93	RES,RK 333J 1/10 -CP
R228	06S45674W81	RES,RK 103J 1/10 -CP
R229	06S45674W97	RES,RK 473J 1/10 -CP
R230	06S45674W33	RES,RK 101J 1/10 -CP
R246	06S45675W43	RES,RK JUMPER1/10-CP
R250	06S45674W97	RES,RK 473J 1/10 -CP
R251	06S45674W97	RES,RK 473J 1/10 -CP
R252	06S45674W97	RES,RK 473J 1/10 -CP
R253	06S45674W97	RES,RK 473J 1/10 -CP
R254	06S45674W97	RES,RK 473J 1/10 -CP
R255	06S45674W97	RES,RK 473J 1/10 -CP
R256	06S45674W97	RES,RK 473J 1/10 -CP
R257	06S45674W97	RES,RK 473J 1/10 -CP
R258	06S45674W97	RES,RK 473J 1/10 -CP
R259	06S45674W97	RES,RK 473J 1/10 -CP
R260	06S45674W97	RES,RK 473J 1/10 -CP
R261	06S45674W97	RES,RK 473J 1/10 -CP
R262	06S45674W97	RES,RK 473J 1/10 -CP
R263	06S45674W97	RES,RK 473J 1/10 -CP
R264	06S45674W97	RES,RK 473J 1/10 -CP
R265	06S45674W97	RES,RK 473J 1/10 -CP
R266	06S45674W97	RES,RK 473J 1/10 -CP
R270	06S45674W93	RES,RK 333J 1/10 -CP
R301	06S70072F05	RES,CP .10R-J-1/4-CP
R302	06S70072F05	RES,CP .10R-J-1/4-CP
R311	06S45675W43	RES,RK JUMPER1/10-CP
R316	06S45674W41	RES,RK 221J 1/10 -CP
R317	06S45674W41	RES,RK 221J 1/10 -CP
R323	06S45674W81	RES,RK 103J 1/10 -CP
R324	06S45674W95	RES,RK 393J 1/10 -CP
R325	06S45674W78	RES,RK 752J 1/10 -CP
R331	06S45675W43	RES,RK JUMPER1/10-CP
R332	06S45675W43	RES,RK JUMPER1/10-CP
R333	06S45675W43	RES,RK JUMPER1/10-CP
R334	06S45675W43	RES,RK JUMPER1/10-CP
R341	06S45675W43	RES,RK JUMPER1/10-CP
R343	06S45674W93	RES,RK 333J 1/10 -CP
R344	06S45674W93	RES,RK 333J 1/10 -CP
R345	06S45674W93	RES,RK 333J 1/10 -CP
R401	06S45675W06	RES,RK 104J 1/10 -CP
R402	06S45674W33	RES,RK 101J 1/10 -CP
R403	06S64995F87	RES,RK 273J 1/8 -CP
R404	06S45674W95	RES,RK 393J 1/10 -CP
R405	06S45674W85	RES,RK 153J 1/10 -CP
R406	06S45674W81	RES,RK 103J 1/10 -CP
R407	06S45674W81	RES,RK 103J 1/10 -CP
R408	06S45674W89	RES,RK 223J 1/10 -CP

	R409	06S45674W81	RES,RK 103J 1/10 -CP
	R410	06S45674W81	RES,RK 103J 1/10 -CP
	R411	06S45674W89	RES,RK 223J 1/10 -CP
	R434	06S45674W33	RES,RK 101J 1/10 -CP
	R435	06S45674W33	RES,RK 101J 1/10 -CP
	R436	06S45674W33	RES,RK 101J 1/10 -CP
	R437	06S45674W33	RES,RK 101J 1/10 -CP
	RA201	06S45591W07	RES,ARY MNR101J 4-CP
	RA202	06S45591W07	RES,ARY MNR101J 4-CP
	=====Connectors		
	CB101	09T45435W22	FFC,52207-2290 -EQ
	CB102	09T45435W15	FFC,52207-1590 -ED
	CB103	09T45435W07	FFC,52207-0790 -E9
	*****Miscellaneous		
	ANT001	01T03151K03	ASSY,ANTCABLE ISO12R
	CB801	09T35473Y16	WTB,F169B001-16 -DB
	CH401	09T03493K15	BTB,55323-1511 -B
	CH501	01T02295K03	ASSY,UNIZON CONN 93R
	CH601	01T25413Y01	ASSY,CONN 2P
	DIN801	09T55071W11	CON,TCP9389-11 -DT
	JK331	01T02234K03	ASSY,CONN NLT1661 (F/R)
	JK601	09T03156K01	JAC,CK-3.5-14 -DB (ST-REMO)
#1	LCD401	65T65154Y01	LCD,WTD-21554ABHU
\$1	LCD401	65T65154Y01	LCD,WTD-21554ABHU
%1	LCD401	65T65153Y07	LCD,WTD-21547ABHU
	M601	59T65085W01	MOTOR,LOAD FF-050SK (NOSE MOTOR/7V-370mA)
	M804	59T55190Y03	MOTOR,F2510CT-12UCV (FAN MOTOR/12V-40mA)
	RCA331	01T35497Y29	ASSY,WIRE RCA 9812R (SUB-W)
	SW421	40T55277Y03	ENC,EC11E15445 -B (ROTARY ENCODER/MODE)
	SW601	40T15494Y07	SW,DETCT SPVG21 -E6 (NOSE CLOSE DET)
	SW602	40T15494Y08	SW,DETCT SPVG11 -E6 (NOSE OPEN DET)
	*****DP23S2DO(CDA-9812RB/CDA-9812RR Model Only)		
	HD101	81B50360Y01	PICKUP,EP21A67L
	M101	01V56100Y14	ASSY,MOTOR WORM 2BO (3.5V-80mA)
	M102	01V56100Y12	ASSY,MOTOR SLED 2BO (3.5V-80mA)
	M103	01V56100Y11	ASSY,MTR SPINDOL 2BO (3V-90mA)
	SW1	40T15494Y01	SW,DETCT SPVG23 -E6 (12cm DISC DETECT (EJECT POSITION/RELOAD))
	SW2	40T15494Y02	SW,DETCT SPVG13 -E6 (8/12cm DISC DETECT (INSERT/PULL OUT))
	SW3	40T15494Y07	SW,DETCT SPVG21 -E6 (8cm DISC DETECT

SW4	40T15494Y01	(EJECT POSITION/RELOAD)) SW,DETCT SPVG23 -E6 (DISC CHUCKING END DETECT)
SW105	40T71025F03	SW,DETCT SPPB120 (LIMIT)
*****DP23S2AO(CDA-9811R Model Only)		
HD101	81B50360Y01	PICKUP,EP21A67L
M101	01V56100Y14	ASSY,MOTOR WORM 2BO (3.5V-80mA)
M102	01V56100Y12	ASSY,MOTOR SLED 2BO (3.5V-80mA)
M103	01V56100Y11	ASSY,MTR SPINDOL 2BO (3V-90mA)
SW1	40T15494Y01	SW,DETCT SPVG23 -E6 (12cm DISC DETECT (EJECT POSITION/RELOAD))
SW2	40T15494Y02	SW,DETCT SPVG13 -E6 (8/12cm DISC DETECT (INSERT/PULL OUT))
SW3	40T15494Y07	SW,DETCT SPVG21 -E6 (8cm DISC DETECT (EJECT POSITION/RELOAD))
SW4	40T15494Y01	SW,DETCT SPVG23 -E6 (DISC CHUCKING END DETECT)
SW105	40T71025F03	SW,DETCT SPPB120 (LIMIT)

