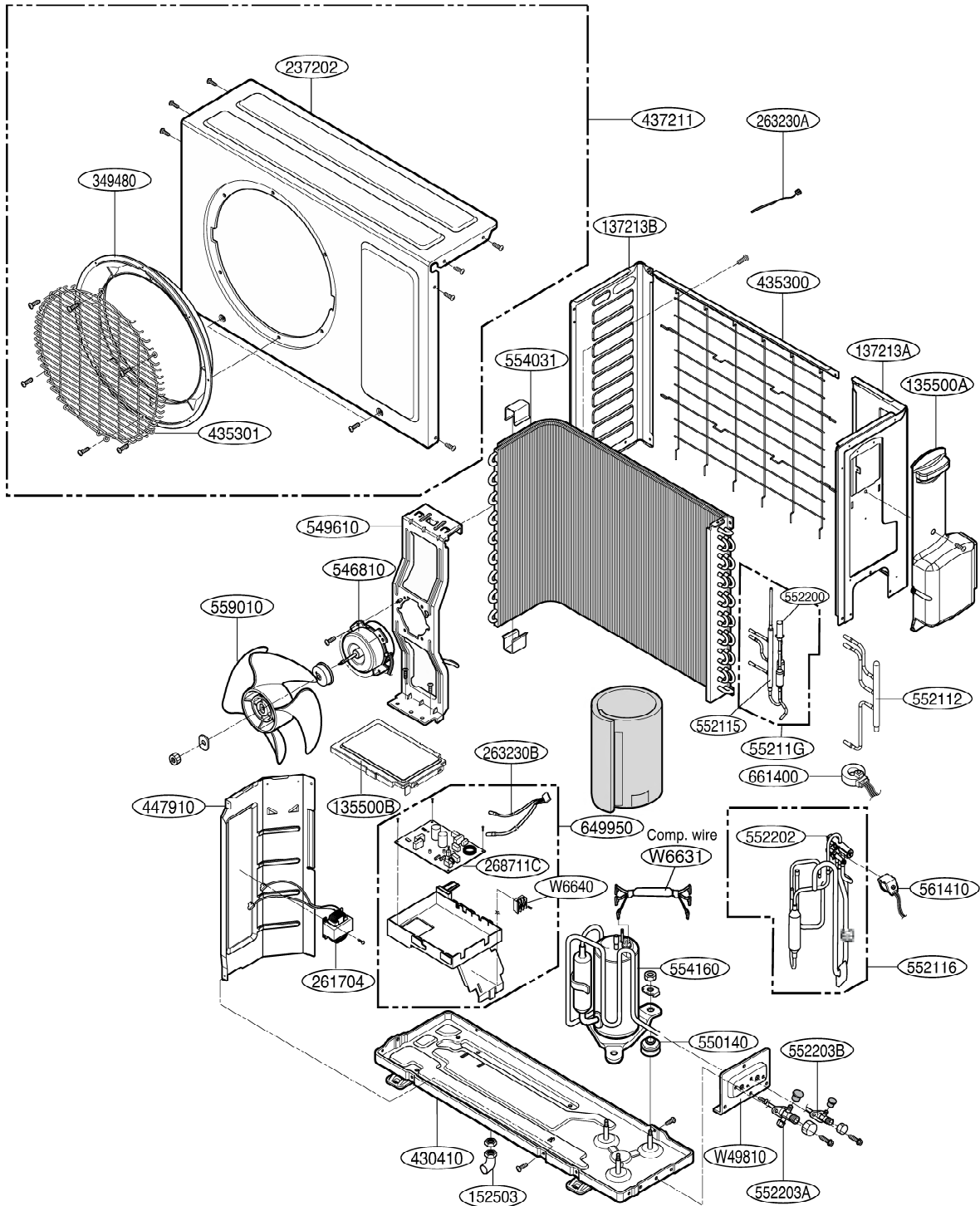


Outdoor Unit



Model	Classification	Description	Part Number	Location Number	Remark
ASUW096EUH2	Inverter Heat/ Pump	Compressor	5416A90029C	554160	Barrier Side
ASUW126EUH2		Harness, Single	6631A30099D	W6631	

Note) * Please ensure GCSC since the replacement parts may be changed depending upon the buyer's request.
 Please check the correct parts in View RPL(Replacement Part List) on GCSC.
 (GCSC Website <http://biz.Lgservice.com>.)