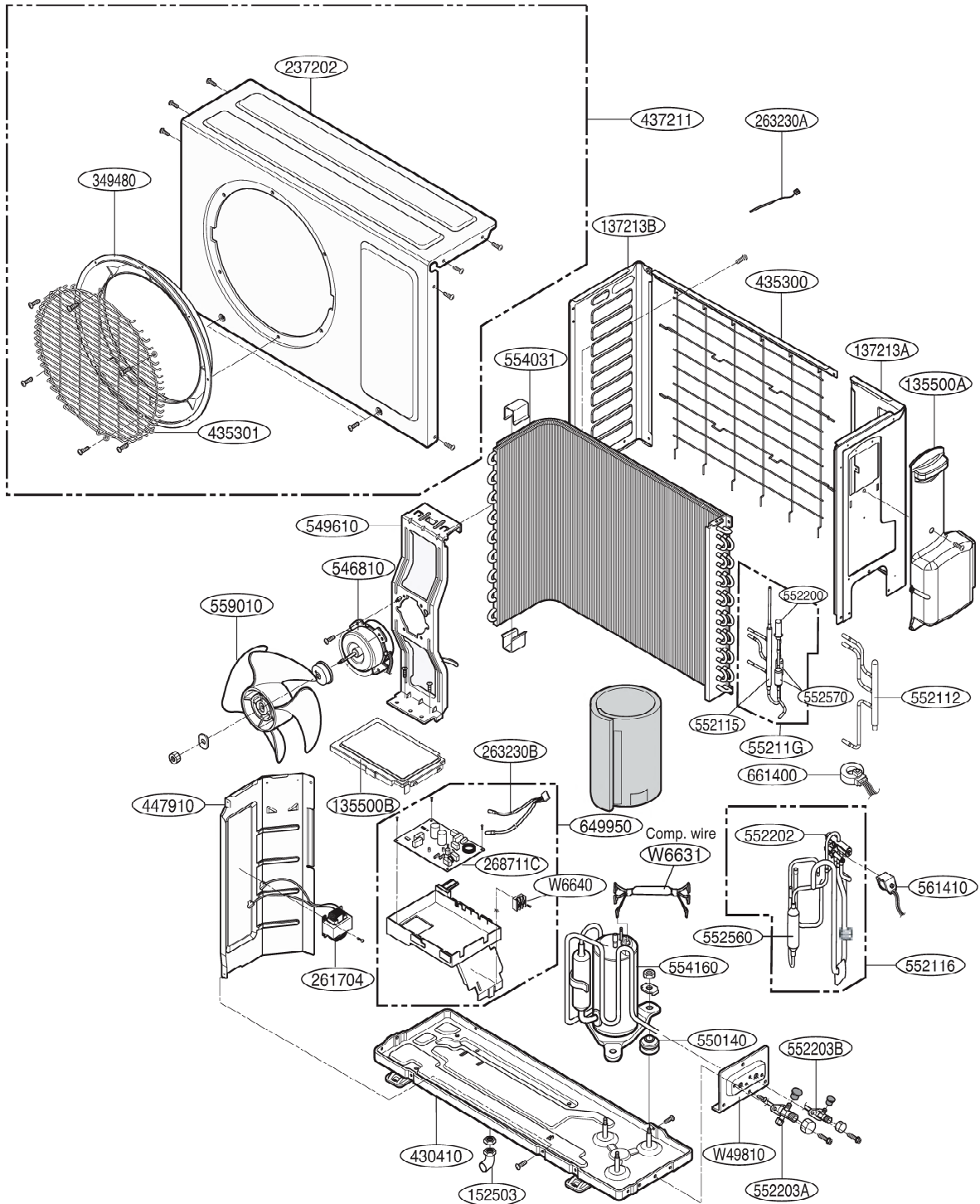


# Outdoor Unit



| Model       | Classification      | Description     | Part Number | Location Number | Remark       |
|-------------|---------------------|-----------------|-------------|-----------------|--------------|
| ASUW096EUH2 | Inverter Heat/ Pump | Compressor      | 5416A90029C | 554160          | Barrier Side |
| ASUW126EUH2 |                     | Harness, Single | 6631A30099D | W6631           |              |

Note) \* Please ensure GCSC since the replacement parts may be changed depending upon the buyer's request. Please check the correct parts in View RPL(Replacement Part List) on GCSC. (GCSC Website <http://biz.Lgservice.com>.)