

DRUM REAR BEARING PLATE REPLACEMENT

Leaflet No:

8201018 (C00307949)

Part No:

C00305794

Step 1 : REMOVAL OF EXISTING RIVETS to remove failed shaft bearing plate

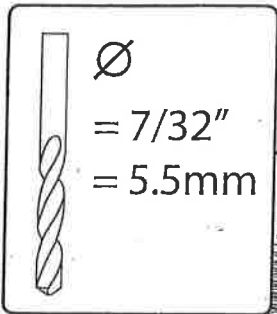
SAFETY GOGGLES & GLOVES MUST BE WORN!



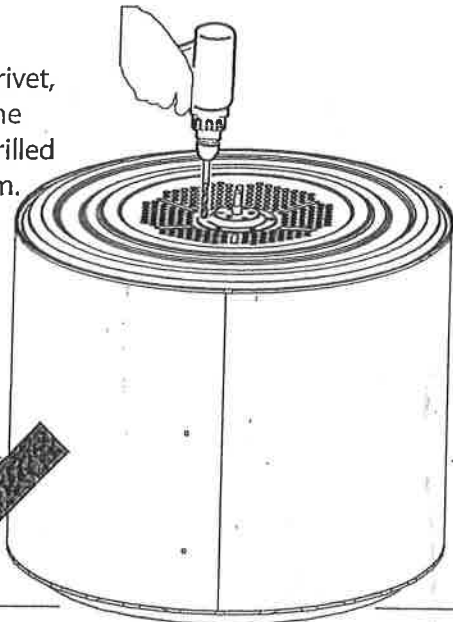
Safety Note:

Before drilling out the last rivet, temporarily insert one of the bolts supplied through a drilled out hole in the plate & drum.

This will prevent the plate from spinning when drilling out the last rivet.



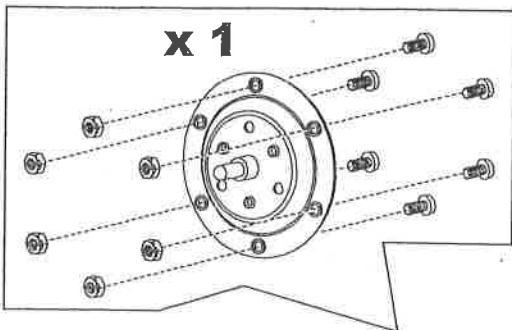
x 6



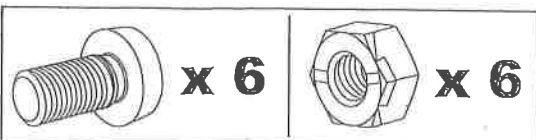
Step 2 : FITTING OF NEW BEARING PLATE using new nuts and bolts.

Step 3 : REPLACE REAR BEARING

Replace the original worn teardrop bearing on the rear panel of the dryer with the teardrop bearing supplied in the kit.



x 1



x 6

x 6