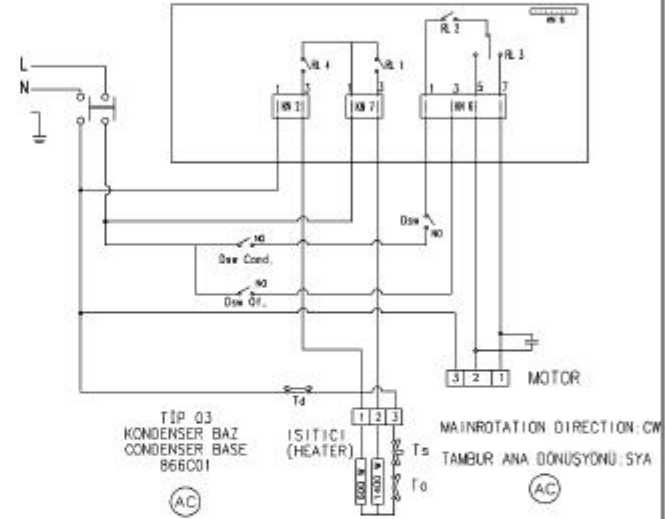
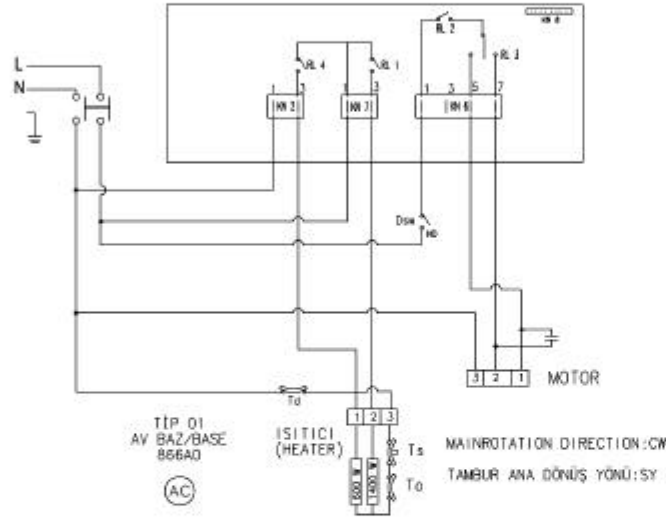


arçelik	GRUP İSMİ	ÜRÜN	BİLDİRGE NO.	REV. NO	TARİH	HAZIRLAYAN	ONAY	SAYFA NO
ÜGB-KRT	GÖRÜNÜŞ-ÜST TABLA GRUBU/ TOP PANEL ASSEMBLY	TERRA PL2-PL2A-PL2F GÖRÜNÜŞ	KS.24	02	28.08.06	ARZU ÖZDEMİR	VEDAT AYLA <i>[Signature]</i>	207080 0002

Pos.	Référence	Désignation
0001	2962400100	TOP PLATE ASSY.
0006	2962600200	CHASSIS ASSEMBLY (TERRA CND PL)
0010	2958100100	FRONT DOOR ASSEMBLY.
0014	2958700100	DOOR HINGE ASSEMBY
0018	2950480100	PLASTIC FOOT.
0030	9001230100	PLASTIC CLAMP
0033	9001230200	PLASTIC CLAMP
0043	2810540878	USERS MANUAL
0048	2958000300	DRUM ASSEMBLY
0059	2953240100	ELASTIC POLY-V BELT.
0063	2964400100	MOTOR AND FAN ASSY.
0065	2957500400	HEATER ASSY
0154	130500120	SERRATED LOCK WASHER (A4.3 DIN 6
0162	1883880100	INTERFERENCE FILTER
0165	9001590100	CABLE CLAMP
0166	2957000800	MAIN CABLE ASSEMBLY
0169	2954200400	SUPPLY CORD...
0180	2201921500	PUSH BUTTON SWITCH
0186	2960210204	ELECTRONIC PCB ASSY.(CND/CNDU SE
0200	2961709002	PANEL ASSEMBLY....
0203	2962500200	PROGRAMME KNOB BUTTOM. ASSY. (PL
0208	2958489003	PANEL BODY
0300	2815750100	FUNCTION BUTTON
0302	130200530	WASHER (B6 DIN127)
0341	2957150100	LOCK HOOK
0365	2958110100	KICK PLATE
0403	2800290100	FIXED FOOT RUBBER
0415	9003610100	SCREW (B4.2*9.5-TIRTILLI)
0468	2953670100	ON OFF BUTTON (PL2A)
0479	9003270600	PT SCREW 4,5*10
0481	2809830200	SELECTION SWITCH
0486	9003270500	PT SCREW 4*12.
0579	2705810100	PT SCREW (3,5*9.5)
0583	2705870100	SELF LOCKING CABLE HOLDER
0584	2957320100	TUMBLE WING
0588	9003270400	PT SCREW 4*10
0635	2958590100	4 LED LIGHT GUIDE (PL2A)
0645	9003610300	SCREW (B4.2*9.5-TIRTILLI)
0653	2807960400	CAPACITOR (ARCOTRONICS 8 µF)
0658	9003860200	SCREW.
0750	2957570100	MAIN BOARD CARD HOLDER
0761	2960020200	ON-OFF SWITCH ADAPTOR
0820	2817910100	SPECIAL SCREW
0826	2958300200	HEATER COVER ASSY.
0834	2951900100	DRUM BEARNG ASS.
0842	2960190100	CABLE HOLDER
0843	2957910100	WATER TANK (BOTTOM)
0844	2958330100	WATER CAP BOTTOM
0846	2958090100	CONDENSER SNAPPER
0847	2961300100	CONDENSER CHASYS ASSY.
0861	2957350100	FRONT SELING FELT
0867	2957420100	BLIND COVER FOR DOOR LOCK.
0868	2957340100	BLIND COVER FOR DOOR HINGE...(TE
0873	2957560100	PCB HOLDER COVER (TERRA)
0887	2958410100	HEATER GRID
0888	2951060200	MICROSCHALTER
0914	2952310800	SINGLE ADHESYNE FOAM.
0921	2960800100	CONDENSER ASSY.
0925	2953460200	NTC WITH CABLE (L=700 MM)
0970	2951580200	PT SCREW (6*30)
0971	2951610200	DELTA PT SCREW (5*20 TORX)
0976	2951620100	PLASTIC LEG STOPPER.
0983	2951660300	MOTOR SHAFT SEAL
0985	2954700100	OVERFLOW MICRO SWITCH ASSY
1044	133000001	PUL 12*18*1 DIN 988..
1045	160200200	ZEEGER(9*1 DIN 6799)
1046	2957400200	REAR PANEL ASS..
1085	2957490100	MOTOR BRACKET CLAMP
1202	2707730100	PLASTIC SCREW 3*6
1204	2951580200	PT SCREW (6*10)/(Zinc 10.9 Zn)

Pos.	Référence	Désignation
1205	2707730200	PLASTIC SCREW 3*20
1209	2957700100	LOCK BODY ASS.
1214	9003271500	PLASTIC SCREW (ÇAP 4*12) INOX
1219	2962200100	REAR PANEL WITH SEAL ASSY.
1221	2957060100	MOTOR BRACKET
1228	2960303600	CABLE ASSEMBLY
1236	2952010100	DRUM RADIAL BEARING (TERRA)
1237	2953320100	DRUM RADIAL BEARING COVER
1240	2953510100	O-RING (17,86X2,62)
1241	2953520100	O-RING (9 X 2)
1242	2958440100	MICROSWICH HOLDER
1243	2958460100	AIR GUIDER
1244	2958030100	FILTER COVER
1245	2958450100	POMP HOLDER
1246	2960304500	CABLE ASSEMBLY
1247	9002880120	SCREW (PT-4X6)
1248	2960010100	SEAL GASGET
1250	2957940100	TANK VALF (BOTTOM)
1254	2953760300	SINGLE ADHESYNE PE FOAM.
1256	2957801000	DRUM BEARING HOUSING....
1257	2958500100	FIXED FILTER ASSY. (RIGHT)
1258	2958600100	FIXED FILTER ASSY. (LEFT)
1259	2958400100	FILTRE CASSETTE ASSY.
1260	2956070100	FLOAT POLYSTROFOAM
1261	2953770100	SINGLE ADHESYNE PU FOAM.
1263	2953770400	SINGLE ADHESYNE PU FOAM.
1264	2953740200	SINGLE ADHESYNE EPDM FOAM.
1267	2953770500	SINGLE ADHESYNE PU FOAM.
1268	2958610100	LIGHT GUIDE SET (PL2A)
1269	2958010100	CHASIS FAN COVER
1270	2958430100	MICROSWITCH SNAPPER
1271	2960700100	AIR GUIDING PART ASSY.
1272	2960220100	SCREW M4*10 TT TC PHIL
1273	2951040100	TERMINAL HOUSING
1274	3002160100	TANK WATER CONVEYOR
1275	3001970100	WATER CONVEYOR SHAFT
1276	3001400100	WATER CONVEYOR SPINRING
1278	2957470100	MICROSWITCH SHAFT
1279	2960400100	SENSOR COVER ASSEMBLY.
1280	2957820100	SWITCH SPRING
1282	2960270100	SINGLE ADHESYNE PU FOAM.
1287	2960150100	RUBBER STOPPER
1288	2953770300	SINGLE ADHESYNE PU FOAM.
1289	2957180200	SERVICE SHEET (CND)
1290	2960640100	DOOR SEALING GASKET
1292	2953470100	FELT BEARING
1299	9002900100	SCREW (PT-4X9,5)
1300	2958580100	2 LED LIGHT GUIDE (CND / PL2A)
1308	2951260400	POMP WATER TANK HOSE.
1313	2705810300	PT SCREW (3,5*8)
1314	2958470100	AIR GUIDER HOOLING
1319	2960180100	WATER TANK SPRING
1322	9003271600	PT SCREW 4,5*16
1323	2960240100	BOLD M6x12
1324	9003860300	SCREW.
1328	2953740300	SINGLE ADHESYNE EPDM FOAM.
1330	101301020	M4X20 SCREW (DIN 7500/TORX T20)
1356	2953740400	SINGLE ADHESYNE EPDM FOAM.
1364	2960370100	CABLE PROTECTED
1365	2953740100	SINGLE ADHESYNE EPDM FOAM.
1373	2953740500	SINGLE ADHESYNE EPDM FOAM.
1374	2953760400	SINGLE ADHESYNE PE FOAM.
1377	2965200100	MAIN CABLE ASSEMBLY
1399	2960680100	NTC-THERMAL CUT OFF RUBBER

CAD İLE ÇİZİLMİŞTİR ELDE DEĞİŞTİRMEYİNİZ / CAD OUTPUT İDİ NOT HANCIKAR CAD KONTROL RESİM İZLETİMDEN ÖLDÜ ALMAYINIZ / DO NOT SCALE



02/01	Tip	Malzeme	Renk	Standart	Ölçü	MALZEME/MATERIAL	
						ANA KABLO GR. MAIN CABLE ASSEMBLY	
						RESİM NO.	
						ÖLÇEK	
						29 5700 . . 00	
						YERİNE SEÇTİ	
						Tarih	
						Yaparı	
						Onay	
						Tolerans Verilmeyen Ölçü (DIN) ±10	
						Kontrol Öncüleri	
						EĞİTİM KAYNAĞI	
						Tarih	
						D. TURK	
						A. ÖZARSLAN	
						E. ÇETİNKAYA	
						MALZEME/MATERIAL	
						arçelik	

RESİM KONTROL