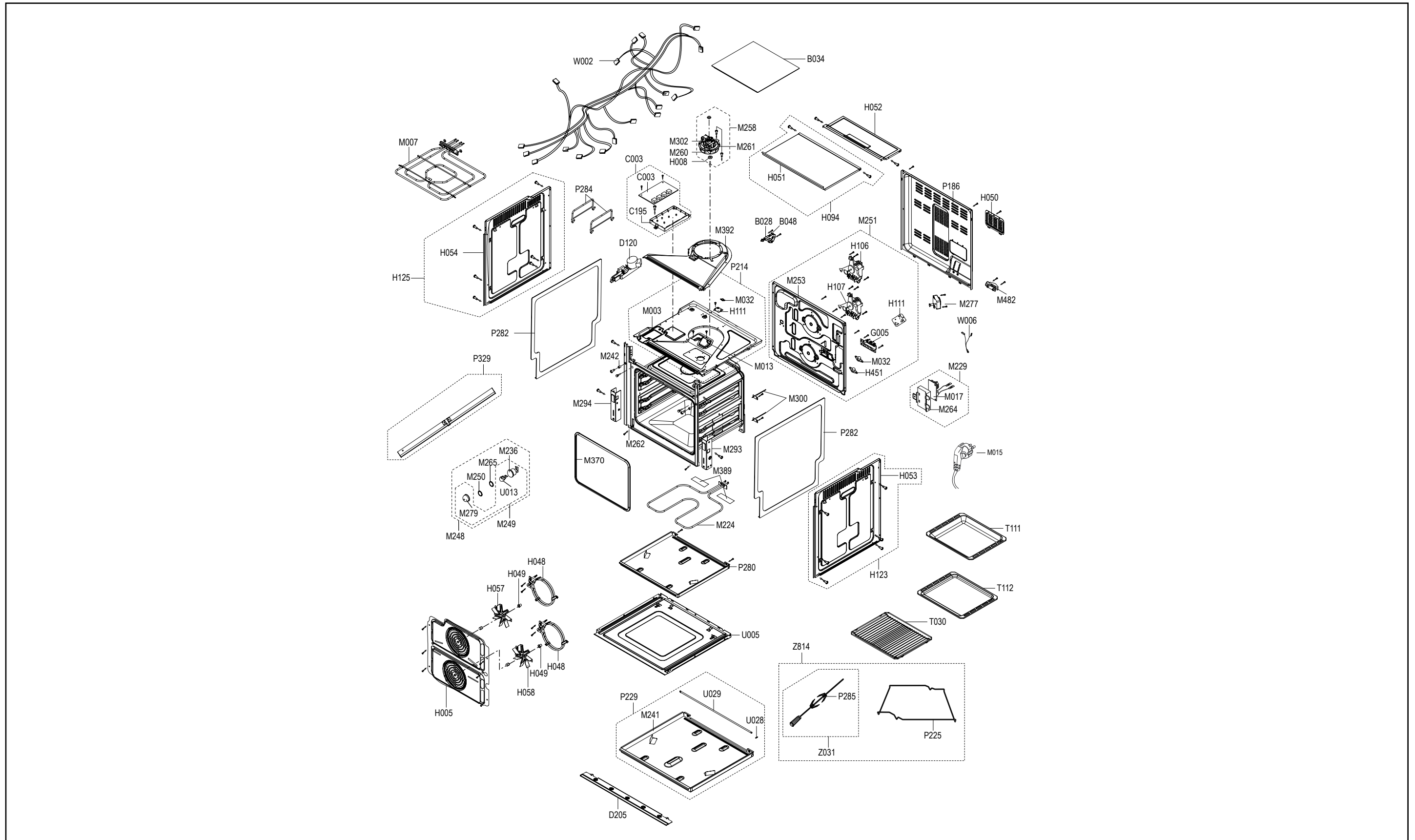


5. Exploded Views and Parts List

5-1 Exploded Views



5-2 Main Parts List

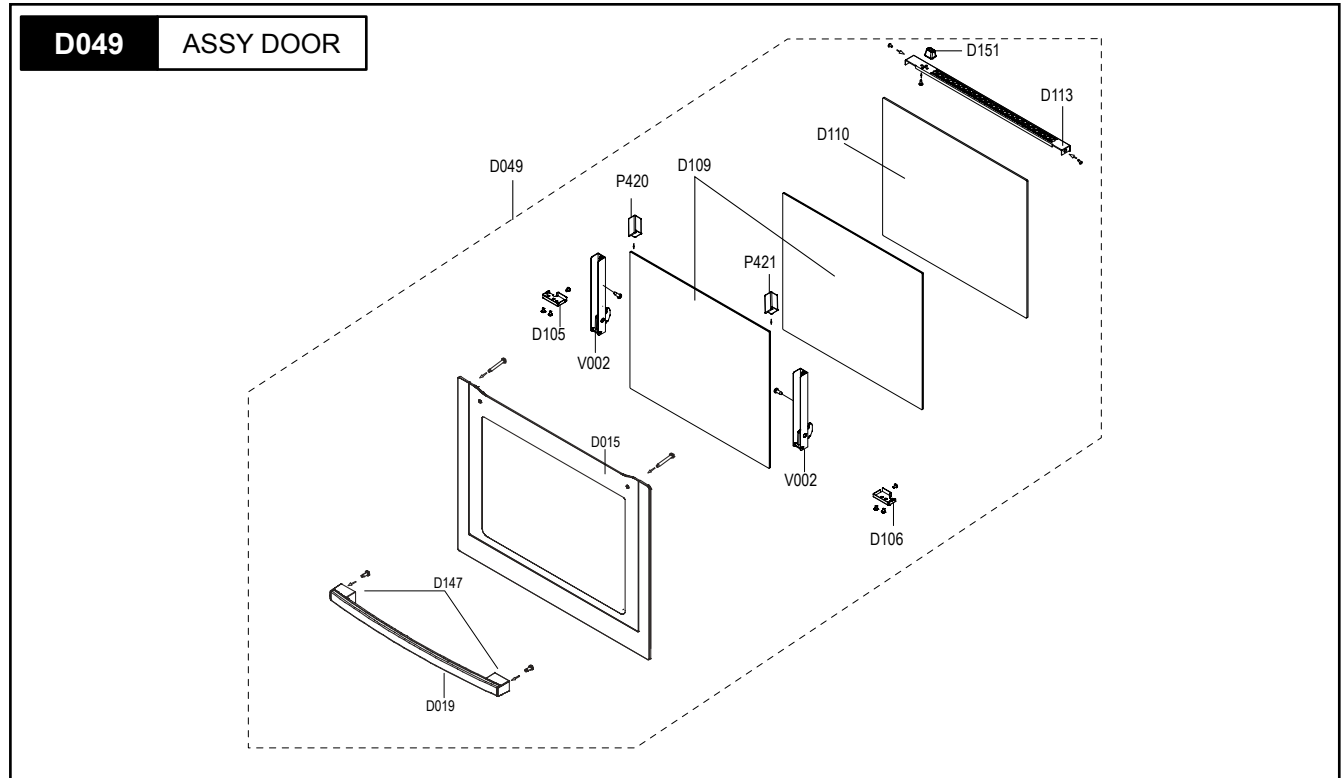
(SNA : SERVICE NOT AVAILABLE)

No.	Code No.	Description	Specification	Q'ty	SA/ SNA	Remark
B028	DG97-00014C	ASSY-PARTITION SWITCH	BT62FQBPST,-,-	1	SA	-
B034	DG97-00015F	ASSY-PARTITION	DX6211B,ATAG, TWIN, RUBBE	1	SA	-
B048	3405-001034	SWITCH-MICRO	125/250VAC,16A,200gf,SPST-N	1	SA	-
C003	DG92-01001U	ASSY PCB-MAIN	BQ1Q4T090,230V50Hz,GEO, 8	1	SA	-
C003	OCS-PDMAIN-05	ASSY PCB PARTS	BQ1Q4T090/XEF , 230V50HZ,	1		-
C195	DG61-00060B	HOLDER-PCB MAIN	24" all model,PA66+GF15	1	SA	-
D120	DG97-00100A	ASSY-DOOR LOCK	-,BT62FQBPST,-	1	SA	-
D205	DG64-00291A	DOOR-GUTTER	BT62FQBPST/XEF,GA,T0.6,W17,L	1	SA	-
G005	DG65-00002A	TERMINAL BLOCK	BT63BSST,PA66,6 sqmm,BROW	1	SA	-
H005	DG97-00038D	ASSY COVER CASING	BT62FQBPST,-,-,PYROLYT	1	SA	-
H009	DE60-40026B	WASHER-PLAIN	-,ZNC3,OD12,T1.0,SBC1,-,-,-	1	SA	-
H048	DG47-00009A	HEATER-CONVECTION TWIN	SHC-BT63E,BT63BSS	2	SA	-
H049	DG60-00001A	SPACER-FAN CONVECTION	BT63BSST,STKM11A,L	2	SA	-
H050	DG61-00031A	BRACKET-AS COVER	BT63BSST,GI,T0.6,W180,L	1	SA	-
H051	DG61-00052A	CASE-UPPER A	BT63BSST,GI,T0.5,W570.8,L36	1	SA	-
H052	DG61-00053A	CASE-UPPER B	BT63BSST,GI,T0.5,W567.6,L22	1	SA	-
H053	DG61-00054B	CASE-RIGHT	BT62FQBPST,GI,T0.6,W600,L529,	1	SA	-
H054	DG61-00055B	CASE-LEFT	BT62FQBPST,GI,T0.6,W600,L529,P	1	SA	-
H057	DG67-00001B	FAN-CONVECTION UPPER	BT62FQBPST,ALCOAT,P	1	SA	-
H058	DG67-00011B	FAN-CONVECTION LOWER	BT62FQBPST,ALCOAT,P	1	SA	-
H094	DG94-00361A	ASSY CASE-UPPER	BF641FST,GI,T0.5	1	SA	-
H106	DG31-00002A	MOTOR CONVECTION	SMC-620EA,OVEN,50Hz,230	1	SA	-
H107	DG31-00002B	MOTOR CONVECTION	SMC-620EA-1,OVEN,50Hz,2	1	SA	-
H111	DE61-50490A	BRACKET-TCO	-,SECC1,T0.6,34,58,-,-	1	SA	-
H111	DE61-50490A	BRACKET-TCO	-,SECC1,T0.6,34,58,-,-	2	SA	-
H123	DG94-00328A	ASSY CASE-R	GF94TN001,Cooker	1	SA	-
H125	DG94-00329A	ASSY CASE-L	GF94TN001,COOKER	1	SA	-
M003	DG61-00191B	BRACKET-UPPER	BF62CBST(SINGLE),SGCD1(GA)	1	SNA	-
M007	DG47-00025A	HEATER-GRILL	BT62FQBPST,2700W,230V	1	SA	-
M013	DG61-00192A	BRACKET-AIR-GUIDE	BT62FQBPST,ALCOAT,T0.6	1	SA	-
M015	DG96-00032A	ASSY POWER CORD	-,EL-211,250V/16A,H05VV-	1	SA	-
M017	DG96-00021A	ASSY NOISE FILTER	-,SN-BF63,250V15A,E-OV	1	SA	-
M032	DG47-00010B	THERMOSTAT	NT-103NC,250V,15A,120±5,0,250	1	SA	-
M032	DG47-00010B	THERMOSTAT	NT-103NC,250V,15A,120±5,0,250	2	SA	-
M224	DG47-00007A	HEATER-BOTTOM	SHB-BT63E,E-OVEN,SUS309,12	1	SA	-
M236	DG47-00026A	LAMP-SOCKET	77.208.7101.10,BT62FQBPST,35	1	SNA	-
M241	DG63-00007A	COVER-BOTTOM HEATER	BT63BSST,GI,T0.5,W43	1	SA	-
M242	DG63-00119A	COVER-SCREW	BT65FQBPST,ABS(HG0760SR),-,-	2	SA	-
M248	DG97-00011D	ASSY LAMP BULB	BQ2Q7G069,PYROLYTIC,Sunli	1	SA	-
M249	DG97-00012B	ASSY LAMP BULB-SUB	BT62FQBPST,-,-,-,PYRO	1	SA	-
M250	DG63-00098A	SHEET-RING BULB	BT62FQBPST,STS304,T0.5,W	1	SA	-
M253	DG96-00015A	ASSY COVER ADIABATIC-REAR SUB	BT63BSST,-	1	SA	-
M258	DG96-00005C	ASSY MOTOR-COOLING	BT62FQBPST,-,-,-,PYRO	1	SA	-

5-2 Main Parts List

No.	Code No.	Description	Specification	Q'ty	SA/ SNA	Remark
M260	DG61-00056A	SUPPORT-MOTOR COOLING	PA66+GF15%,BT63BSS	1	SA	-
M261	DG67-00017A	FAN-COOLING	BT62FQBPST,NYLON#66 GF15,-,-	1	SA	-
M262	6031-001545	WASHER-SPRING	STS430,ID5,OD11.8,T0.3,Dar	4	SNA	-
M264	DG61-00090B	HOLDER-NOISE FILTER	24" all model,PA66+	1	SA	-
M265	DG63-00029A	COVER-RING BULB	BT63BSST,STS 304,T0.5,W5	1	SA	-
M277	DG31-00003A	MOTOR DRIVE-SPIT	323,BT63BSST,FREE,230V,	1	SA	-
M279	DG63-00026A	COVER-LAMP BULB	BT63BSST / BWT,GLASS,TRA	1	SNA	-
M293	DG61-00256A	SUPPORT-HINGE RIGHT	JM PYROLYTIC,GI,T1.6	1	SA	-
M294	DG61-00255A	SUPPORT-HINGE LEFT	JM PYROLYTIC,GI,T1.6,	1	SA	-
M300	DG32-00004A	THERMISTOR-SENSOR	PT-SENSOR	2	SA	-
M302	DG31-00001C	MOTOR BLOWER	SMV-610PEA,BT65FQPST,50Hz,2	1	SA	-
M370	DG63-00095A	GASKET-DOOR	BT62FQBPST,FIBER GLASS + MES	1	SA	-
M389	DG62-00026A	ADIABATIC-HEATER	BT65FQBPST,CERAMIC WOOL	2	SNA	-
M392	DG63-00086B	COVER-FAN-COOLING	BT62FQBPST,ALSTAR,T0.6	1	SA	-
M451	DE47-20032B	THERMOSTAT	-,NT-101,250V 10A/125V 15A,-,	1	SA	-
M482	6502-001117	CABLE CLAMP	DALF-94-2,EGI STEEL, SILICON	2	SA	-
P186	DG63-00009B	COVER-BACK	BT62FQBPST,GI,T0.5,W630,L625,	1	SA	-
P214	DG96-00037F	ASSY BRACKET UPPER	BT620FQPST,-,-,NO PIP	1	SA	-
P225	DG59-00002A	RACK-SPIT WIRE	WIRE RACK SPIT,MSWR,W461,	1	SA	-
P229	DG97-00105B	ASSY COVER-BOTTOM HEATER	BT62FQBPST,-,-,	1	SA	-
P280	DG63-00083A	COVER-ADIABATIC-LOWER	BT62FQBPST,GI,T0.5	1	SA	-
P282	DG63-00085A	COVER-ADIABATIC-L/R	BT62FQBPST,GI,T0.5,W	1	SA	-
P284	DG66-00012A	WIRE-HANDLE	BT62FQBPST,MSWR,5	2	SA	-
P285	DG61-00080A	SPIT-JACK	BT63BSST,MSWR,CR+3 COATING	1	SA	-
P329	DG97-00107B	ASSY BRACKET-COOLING GUIDE	DX6211KUU/A01	1	SA	-
T030	DG59-00001A	RACK-WIRE	BT63BSST,MSWR,W461, L352,SNC2	1	SA	-
T111	DG63-00011A	TRAY-BAKING B	BT63BSST,SPP,T0.6,W660,L47	1	SA	-
T112	DG63-00012A	TRAY-BAKING A	BT63BSST,SPP,T0.6,W550,L47	1	SA	-
U013	DE47-00040B	LAMP-HALOGEN	230V40W,G9,FROST BULB	1	SA	-
U028	DG47-00027A	HOLDER-R PIN	BT62FQBPST	1	SA	-
U029	DG66-00014A	WIRE-COVER BOTTOM HEATER	BT62FQBPST,STS4	1	SA	-
U075	DG61-00051A	BASE-BOTTOM	BT63BSST,SGCD1,T0.5,W555,L61	1	SA	-
W002	DG96-00040C	ASSY WIRE HARNESS-A	BT620FQPST/XEF,-,-	1	SA	-
W006	DG96-00044B	ASSY WIRE HARNESS-E	DX6211KUU,230V/50Hz,	1	SA	-
Z031	DG90-00006A	ASSY PACKING-JACK SPIT	BT63TDFST/XEH,-,-	1	SA	-
Z814	DG90-00001J	ASSY PACKING ACCESSORY	BF62FPBPST,-,-,-,	1	SA	-

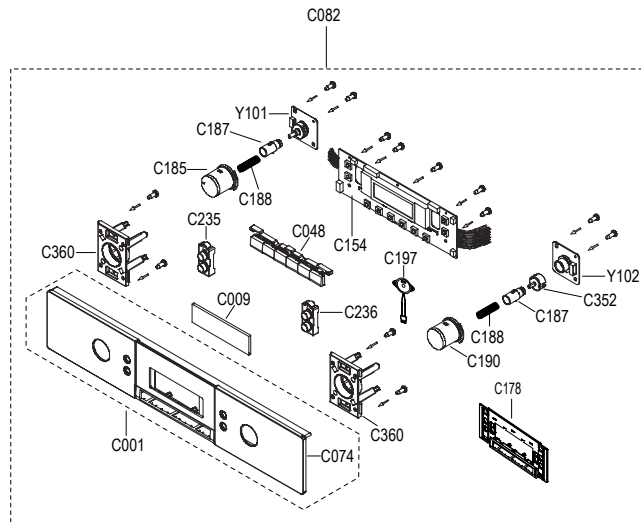
5-3 Door Parts List



(SNA : SERVICE NOT AVAILABLE)

No.	Code No.	Description	Specification	Q'ty	SA/SNA	Remark
D015	DG94-00075F	ASSY DOOR SUB	GEO 699,STS+GLASS,GEO PYRO	1	SA	-
D019	DG64-00203A	HANDLE DOOR	GEO,AL,CURVED,ANODAZING, HAI	1	SA	-
D049	DG94-00076M	ASSY DOOR	GEO 699,GLASS+STS,STSS,GEO Cur	1	SA	-
D105	DG63-00115A	COVER-HINGE RIGHT	JM PYROLYTIC,GA,T1.0,-	1	SA	-
D106	DG63-00116A	COVER-HINGE LEFT	JM PYROLYTIC,GA,T1.0,-,	1	SA	-
D109	DG64-00154B	GLASS-DOOR MIDDLE	BT62FQBPST,HEATING REF	2	SA	-
D110	DG64-00155A	GLASS-DOOR INNER	JM PYROLYTIC,HEATING RE	1	SA	-
D113	DG67-00027A	DUCT-DOOR COVER	BT62FQBPST,GA,-,-,BLK,	1	SA	-
D147	DG63-00133B	COVER HANDLE	GEO,PC 141R,NATURAL STS SIL	2	SA	-
D151	DG61-00254A	HOLDER-DOOR LOCK	BT65FQBPST,NYLON #66,-,	1	SNA	-
P420	DG61-00350A	HOLDER-GLASS RUBBER R	BQ2Q7G069,SILICON	1	SA	-
P421	DG61-00351A	HOLDER-GLASS RUBBER L	BQ2Q7G069,SILICON	1	SA	-
V002	DG97-00023E	ASSY HINGE	BT65FQBPST,-,-,PYROLYTIC-JM,6	2	SA	-

5-4 Control Parts List

C082
ASSY CONTROL-BOX

(SNA : SERVICE NOT AVAILABLE)

No.	Code No.	Description	Specification	Q'ty	SA/ SNA	Remark
C001	DG94-00344B	ASSY CONTROL PANEL	BQ1Q4T090,STSS,STSS+G	1	SA	-
C009	DG64-00246A	WINDOW-DISPLAY	BTD1664TL/XEI,ACYRL,T3.0,	1	SNA	-
C048	DG94-00182A	ASSY BUTTON SELECT	BTS14D4T,PC,BLK,-	1	SA	-
C074	DG61-00411A	BRACKET-PANEL	GEO Pyro,GA,T0.8,W593.2,L1	1	SNA	-
C082	DG94-00343B	ASSY CONTROL BOX	BQ1Q4T090,230V50Hz,STSS	1	SA	-
C154	DE96-00753M	ASSY DISPLAY	BQ1Q3T089,DAM-GEO TWIN-11,A	1	SA	-
C178	DG61-00303C	HOLDER-PCB	GEO (TWIN),PC LEXAN 141R,BLK	1	SA	-
C185	DG64-00207Q	KNOB-DIAL SELECT	BF1C4T082/XEO,PC LEXAN	1	SA	-
C187	DG96-00001A	ASSY-POP UP	BT63BSST,PBT,BI,ITW	2	SNA	-
C188	DG61-00069A	SPRING ETC-POP UP	BT63BSST / BWT,SWP,10	2	SNA	-
C190	DG64-00207C	KNOB-DIAL ENCODER	GEO(TWIN),PC,NATURAL S	1	SA	-
C197	DE96-00686A	ASSY BUZZER	E-OVEN,KPR-G3020,-,-,-,-	1	SNA	-
C235	DG64-00200G	BUTTON-CLOCK L	GEO(TWIN),PC,SIVLER(NATUR	1	SA	-
C236	DG64-00200H	BUTTON-CLOCK R	GEO(TWIN),PC,SIVLER(NATUR	1	SA	-
C352	DG61-00250A	HOLDER-ENCODER SWITCH	JM PYROLYTIC,PA66,	1	SA	-
C360	DG61-00306A	HOLDER-KNOB	GEO (TWIN),PC LEXAN 141R,-,-	2	SA	-
Y101	DE92-02030A	ASSY PCB SUB-DIAL	-,BT65FQBST,-,230V50HZ	1	SA	-
Y102	DE92-02029A	ASSY PCB SUB-MODE	-,BT65FQBST,-,230V50HZ	1	SA	-

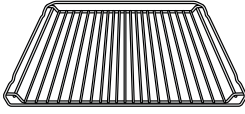
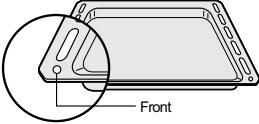
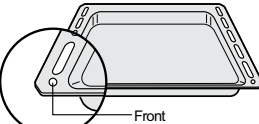
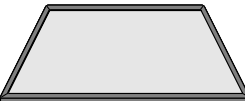
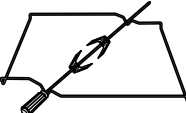
5-5 Standard Parts List

(SNA : SERVICE NOT AVAILABLE)

LEV-EL	Code No.	Description	Specification	Q'ty	SA/SNA	Remark
1-1	6001-001960	SCREW-MACHINE	FH,+,M5,L12,ZPC(BLK),SWRCH	4	SNA	-
1-1	6002-000413	SCREW-TAPPING	TH,+,2S,M4,L8,BLK	4	SNA	-
1-1	6002-000432	SCREW-TAPPING	TH,+,-,B,M4,L10,ZPC(WHT),S	4	SNA	-
1-1	6002-001426	SCREW-TAPPING	TH,+,2S,M4,L12,NI PLT,STS4	4	SA	-
1-1	6006-001170	SCREW-TAPPING	TH,+,WT,TC,M4,L10,ZPC(WHT)	1	SA	-
1-1	6006-001174	SCREW-TAPPING	TH,+,WE,2S,M4,L12,ZPC(WHT)	52	SA	-
1-1	6006-001176	SCREW-TAPTYPE	PH,+,WT,B,M4,L8,ZPC(WHT),S	2	SNA	-
1-1	6009-001488	SCREW-SPECIAL	PH,+,-,M3,L25,ZPC(WHT),SWR	2	SNA	-
1-1	6021-001208	NUT-HEXAGON CAP	M4,NI PLT,SWRCH10A	1	SNA	-
1-1	6021-001211	NUT-HEXAGON CAP	M4,NI PLT,SWRCH10A,LEFT	1	SNA	-
1-1	DE60-10059A	SCREW-TAPPING	TH,+,2,M4,L8,NI PLT,SUS410	2	SNA	-
1-1	DE60-10106A	SCREW-TAPTYPE	FH,+,B,M4,L12,NI PLATING,S	1	SNA	-
1-1	DE60-30016A	NUT-FLANGE	-,-,MSWR10,-,-,-,-,-,-	2	SA	-
1-2	6002-000630	SCREW-TAPPING	PH,+,-,2S,M3,L8,ZPC(WHT),S	2	SNA	-
1-2	6001-000623	SCREW-MACHINE	PH,+,M5,L10,ZPC(WHT),SM10C	2	SNA	-
1-2	6001-002058	SCREW-MACHINE	TH,+,M5,L40,ZPC(WHT),SWRCH	2	SA	-
1-2	6002-000170	SCREW-TAPPING	PH,+,2S,M3,L6,ZPC(WHT),SWR	2	SNA	-
1-2	6002-000413	SCREW-TAPPING	TH,+,2S,M4,L8,BLK	6	SNA	-
1-2	6002-001316	SCREW-TAPPING	FH,+,2S,M4,L12,BLK Coating	2	SNA	-
1-2	6006-001174	SCREW-TAPPING	TH,+,WE,2S,M4,L12,ZPC(WHT)	1	SA	-
1-2	6002-000413	SCREW-TAPPING	TH,+,2S,M4,L8,BLK	8	SNA	-
1-2	6002-000630	SCREW-TAPPING	PH,+,-,2S,M3,L8,ZPC(WHT),S	7	SNA	-
1-2	DE60-10191A	SCREW-MACHINE	PH,+,M4,L35,ZPC(WHT),SWRCH	2	SNA	-
1-2	DE60-30016A	NUT-FLANGE	-,-,MSWR10,-,-,-,-,-,-	3	SA	-
1-2	6006-001174	SCREW-TAPPING	TH,+,WE,2S,M4,L12,ZPC(WHT)	4	SA	-
1-2	6002-000170	SCREW-TAPPING	PH,+,2S,M3,L6,ZPC(WHT),SWR	1	SNA	-
1-2	6003-001230	SCREW-TAPTYPE	BH,+,B,M3,L16,ZPC(WHT),SWR	2	SNA	-
1-2	6002-000413	SCREW-TAPPING	TH,+,2S,M4,L8,BLK	4	SNA	-
1-2	6006-001174	SCREW-TAPPING	TH,+,WE,2S,M4,L12,ZPC(WHT)	11	SA	-
1-2	6006-001176	SCREW-TAPTYPE	PH,+,WT,B,M4,L8,ZPC(WHT),S	2	SNA	-
1-2	6002-001390	SCREW-TAPPING	FH,+,1,M4,L25,ZPC(BLK),SWR	3	SA	-
1-3	6002-001173	SCREW-TAPPING	FH,+,2S,M4,L12,ZPC(BLK),MS	2	SNA	-
1-3	6006-001174	SCREW-TAPPING	TH,+,WE,2S,M4,L12,ZPC(WHT)	2	SA	-
1-3	6002-000413	SCREW-TAPPING	TH,+,2S,M4,L8,BLK	2	SNA	-

2-3 Accessory

The following accessories are provided with your oven.

	Description	Code No.	Q'ty
	RACK-WIRE	DG59-00001A	1
	TRAY-BAKING A	DG63-00012A	1
	TRAY-BAKING B	DG63-00011A	1
	ASSY-PARTITION	DG97-00015A	1
	ASSY PACKING-JACK SPIT	DG90-00006A	1