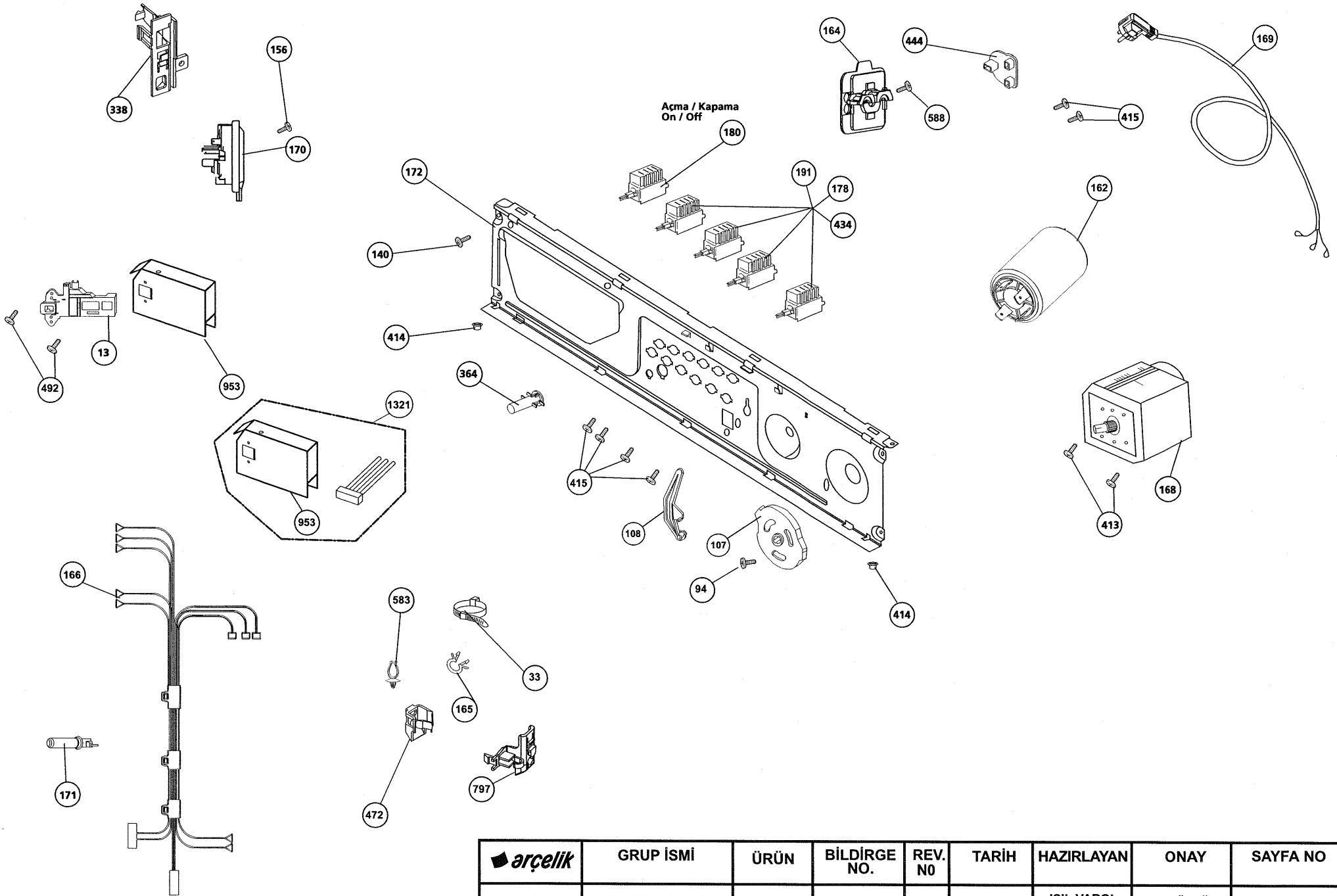
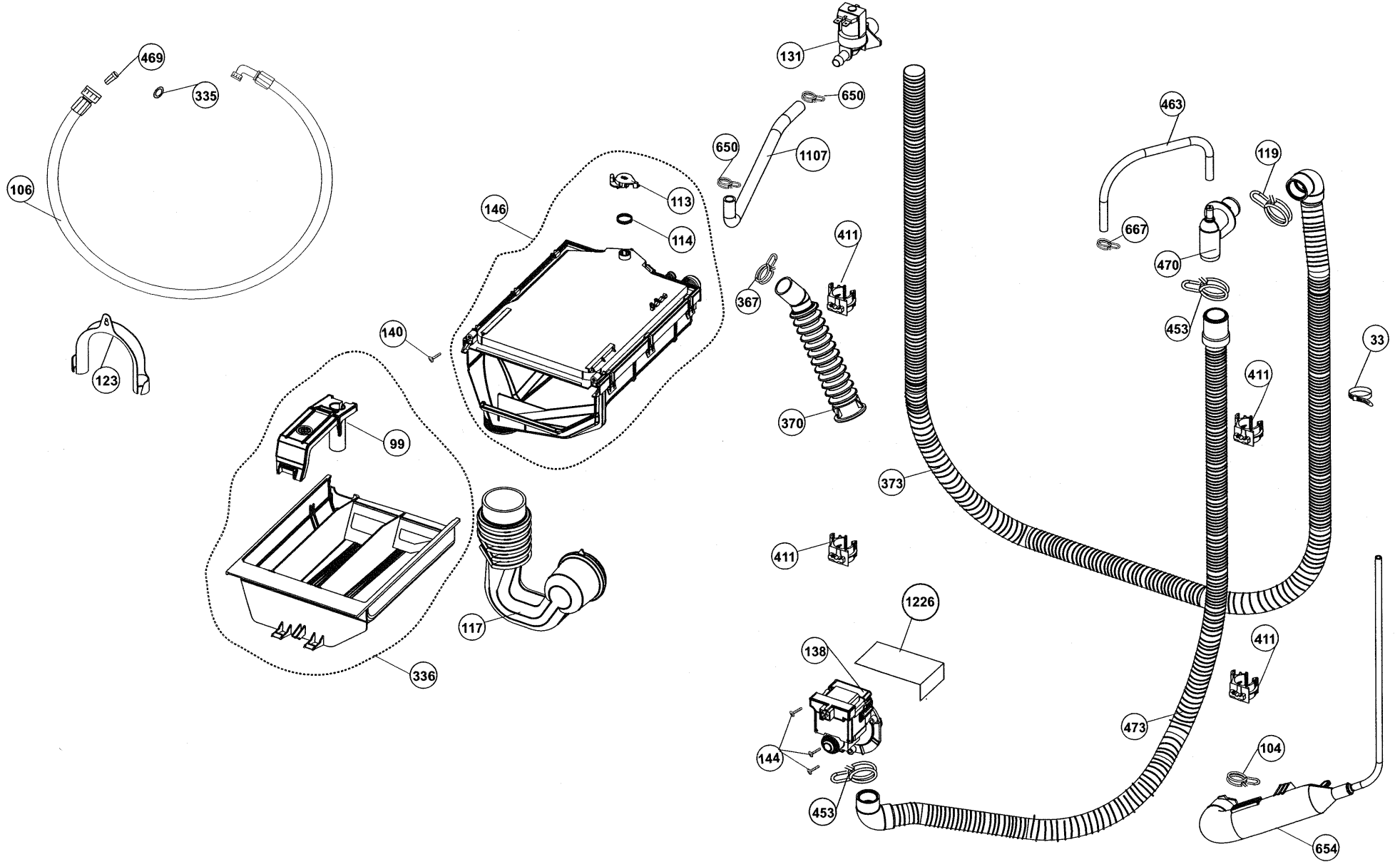


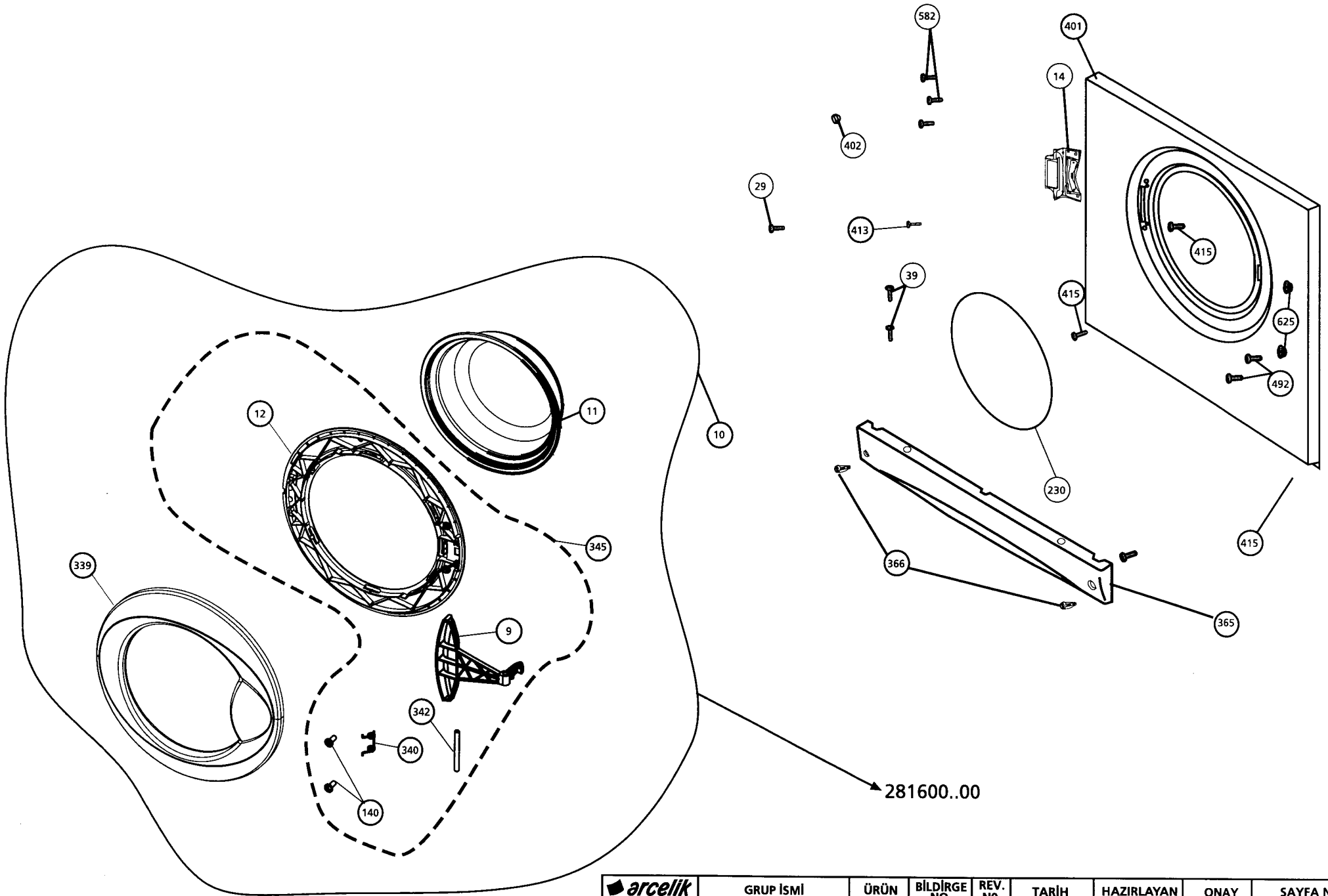
arçelik	GRUP İSMİ	ÜRÜN	BİLDİRGE NO.	REV. NO	TARİH	HAZIRLAYAN	ONAY	SAYFA NO
ÜGB-ÇM	GÖVDE GRUBU/ CABINET ASSEMBLY	YOÇ (35/45/54)	ÇS.235	02	30.09.2005	ZEYNEPDEMİR	İŞİL VARGİL	207010 0004



arçelik	GRUP İSMİ	ÜRÜN	BİLDİRGE NO.	REV. NO	TARİH	HAZIRLAYAN	ONAY	SAYFA NO
ÜGB-ÇM	KONTROL GRUBU/ CONTROL PANEL ASSEMBLY	EKO	ÇS.303	02	12.05.2006	İŞİL VAROL	EMRE ÖZTÜRK	207020 0012

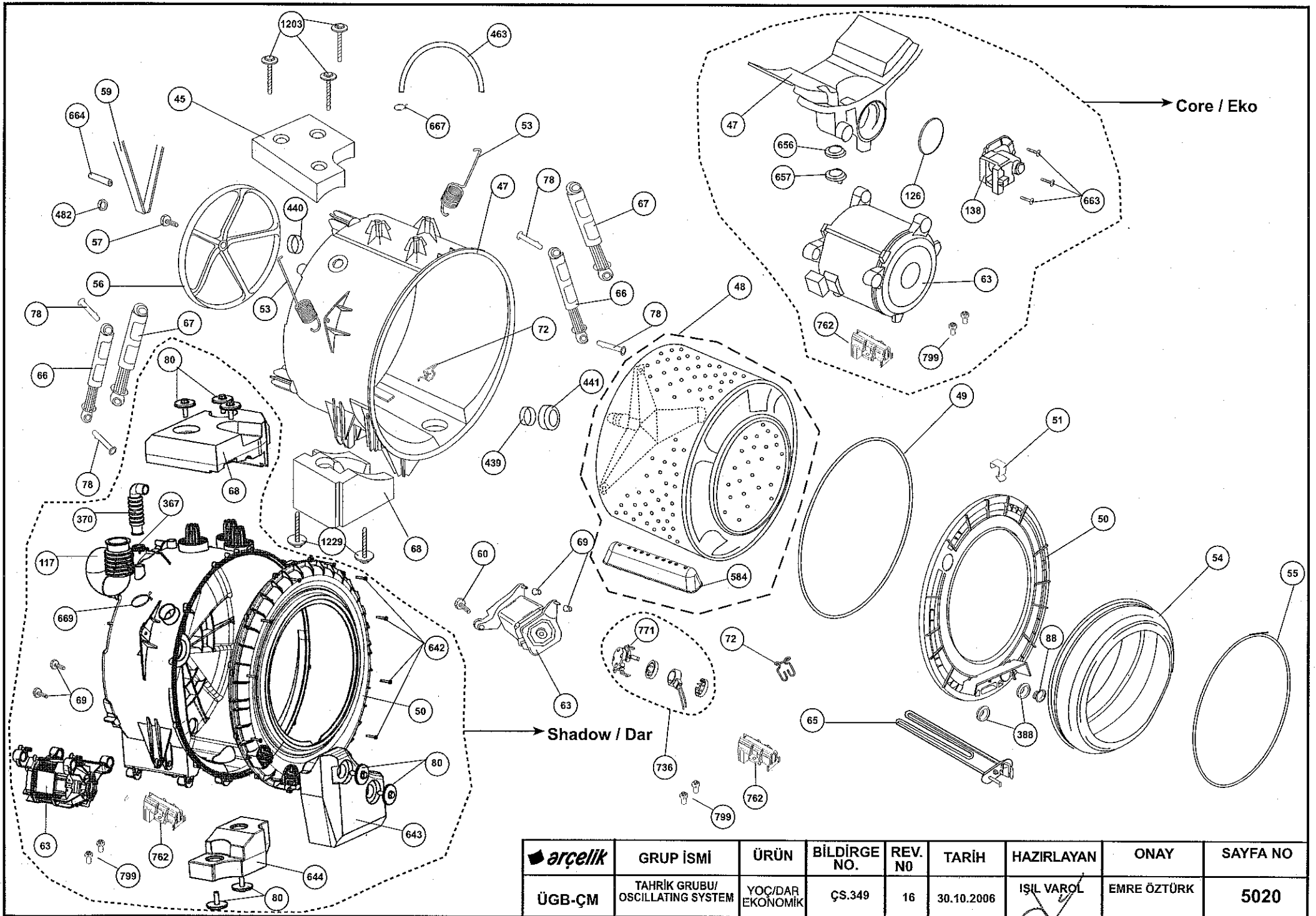



arçelik	GRUP İSMİ	ÜRÜN	BİLDİRGE NO.	REV. NO	TARİH	HAZIRLAYAN	ONAY	SAYFA NO
ÜGB-ÇM	SU SİSTEM GRUBU WATER CIRCULATING SYSTEM	EKO	ÇS.309	01	26.05.2006	İŞİL VAROL	EMRE ÖZTÜRK	207030 0004

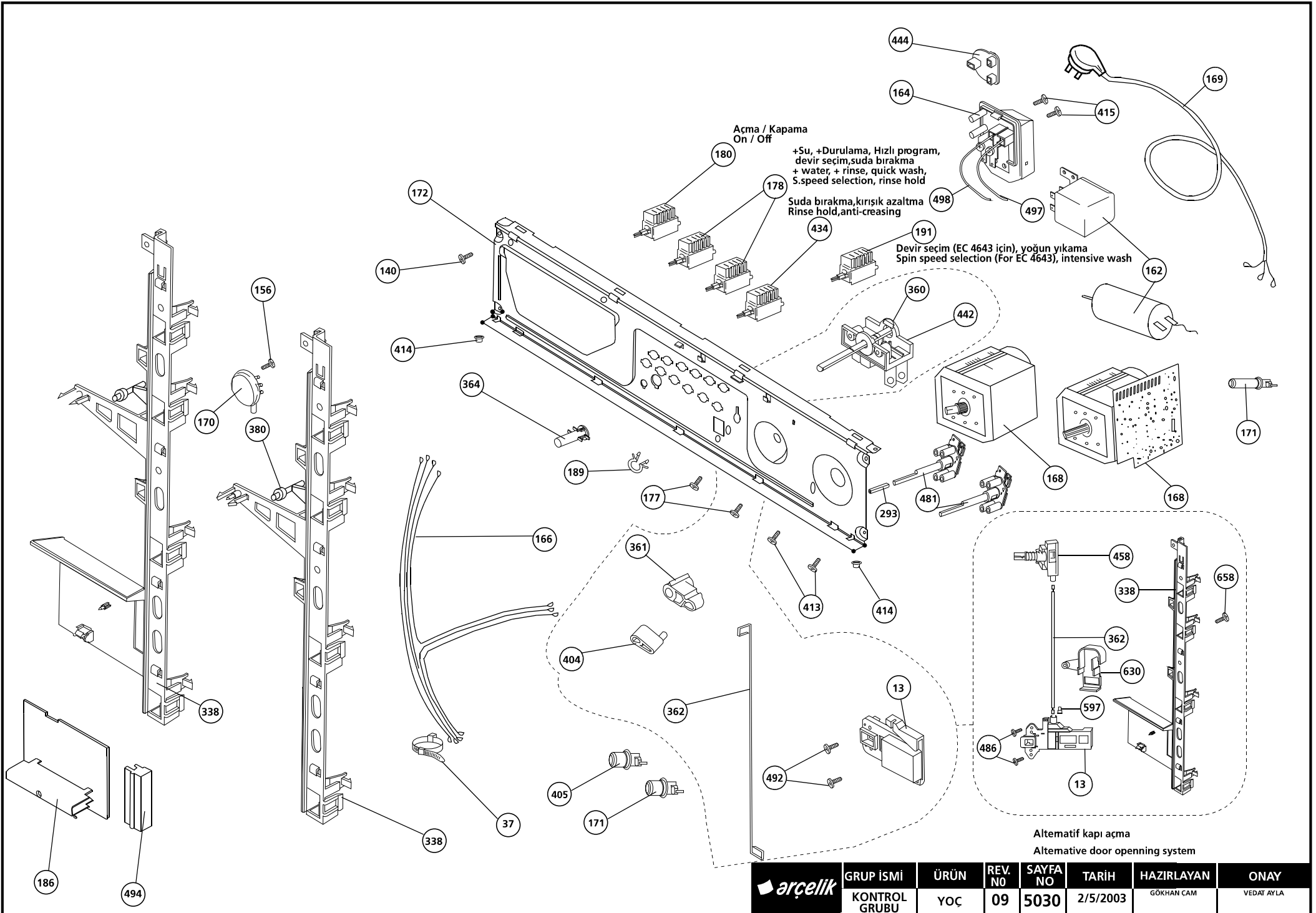


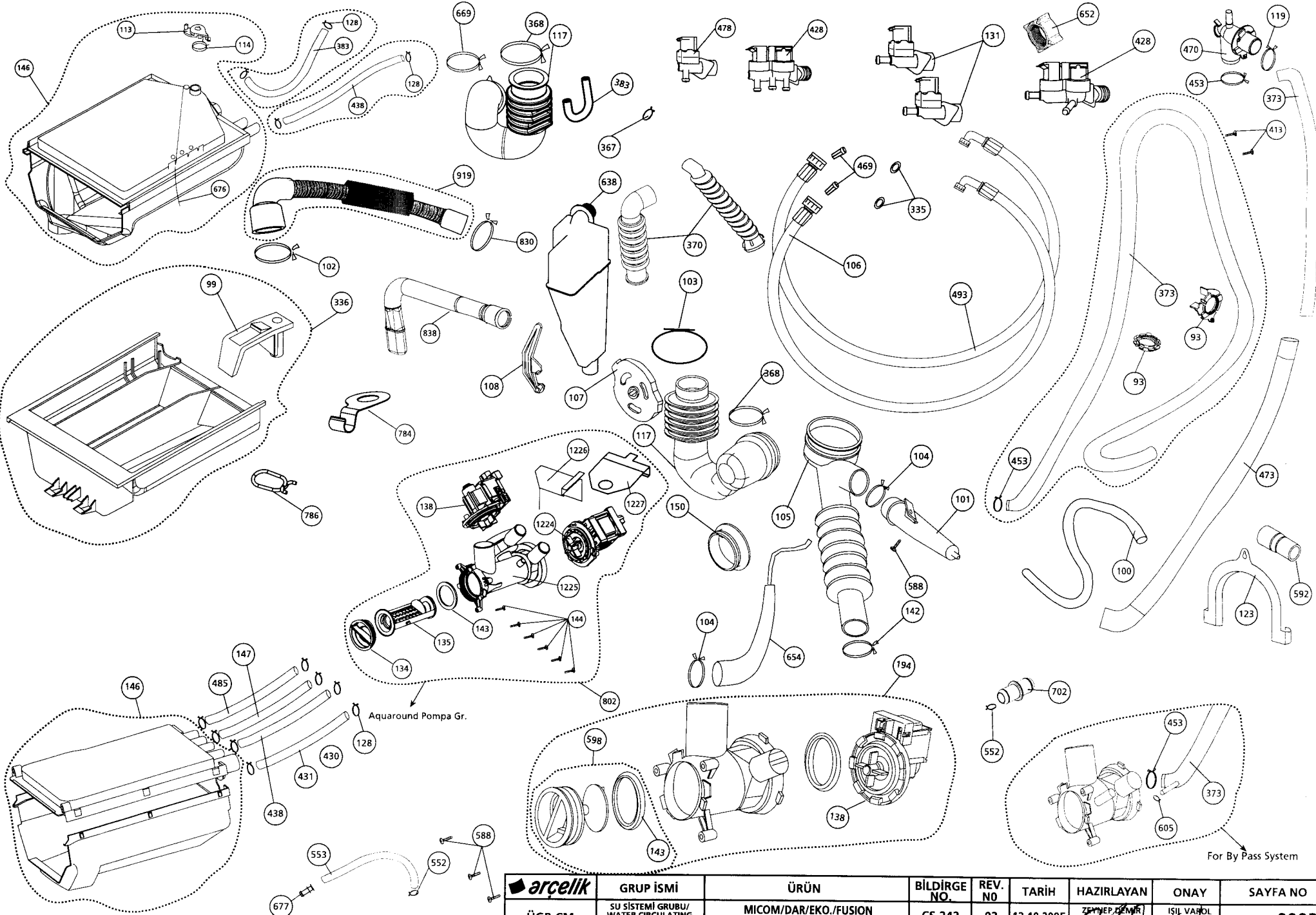
arçelik	GRUP İSMİ	ÜRÜN	BİLDİRGE NO.	REV. NO	TARİH	HAZIRLAYAN	ONAY	SAYFA NO
ÜGB-ÇM	ALT PANEL GURUBU/ BOTTOM PANEL ASSEMBLY	EKO	ÇS.84	01	22.04.2005	ZEYNEP DEMİR <i>Zeynep Demir</i>	İŞİL VAROL <i>İşil Varol</i>	207060 0003

*Handwritten signature*



 arçelik	GRUP İSMİ	ÜRÜN	BİLDİRGE NO.	REV. NO	TARİH	HAZIRLAYAN	ONAY	SAYFA NO
ÜGB-ÇM	TAHRİK GRUBU/ OSCILLATING SYSTEM	YOC/DAR EKONOMİK	ÇS.349	16	30.10.2006	İŞİL VAROL	EMRE ÖZTÜRK	5020





BİLDİRGE NO.	REV. NO	TARİH	HAZIRLAYAN	ONAY	SAYFA NO
ÇS.242	02	12.10.2005	ZEMEP DEMİR	İŞİL VAROL	207030 0003

**arçelik**

GRUP İSİMİ  
ÜGB-ÇM  
SU SİSTEMİ GRUBU/  
WATER CIRCULATING  
SYSTEM

ÜRÜN  
MICOM/DAR/EKO./FUSION  
YOÇ FLASH/TRUVA FLASH (AQUAROUND)

BİLDİRGE NO.  
ÇS.242

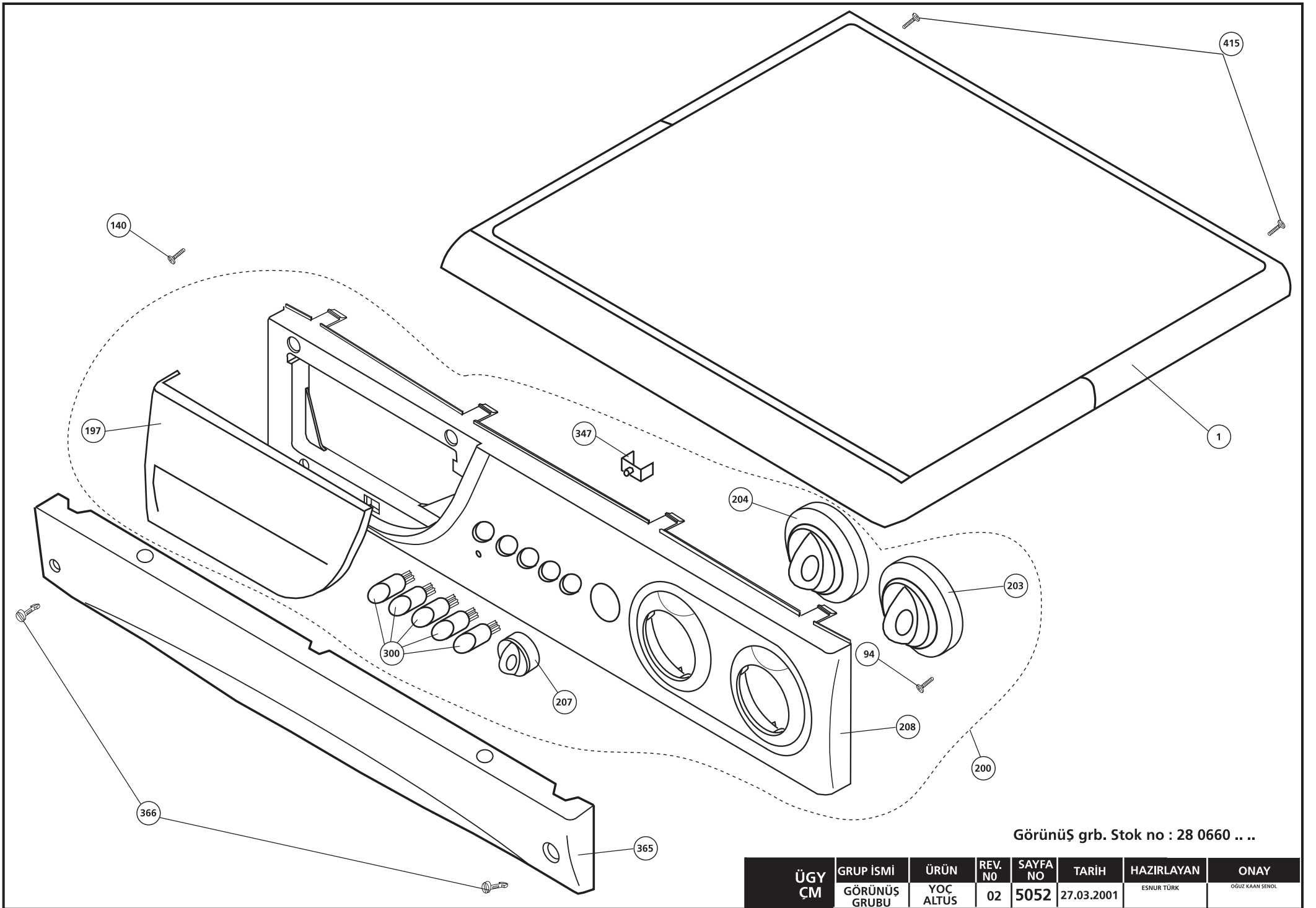
REV. NO  
02

TARİH  
12.10.2005

HAZIRLAYAN  
ZEMEP DEMİR

ONAY  
İŞİL VAROL

SAYFA NO  
207030 0003



Görünüş grb. Stok no : 28 0660 ...

ÜGY ÇM	GRUP İSMİ	ÜRÜN	REV. NO	SAYFA NO	TARİH	HAZIRLAYAN	ONAY
	GÖRÜNÜŞ GRUBU	YOÇ ALTUS	02	5052	27.03.2001	ESNUR TÜRK	OGUZ KAAKI SENOL



Pos.	Référence	Désignation
1	A2811200500	TOP PLATE ASS.
10	A2816000100	FRONT DOOR ASSEMBLY
104	A2002372200	HOSE CLAMP (ø 35.6)
106	A2808700300	WATER INLET HOSE ASSEMBLY (GREY-
107	A2807510100	CAM.
108	A2800990100	CAM FOLLOWER
11	A2800620100	PORTHOLE GLASS
1107	A2817560700	HOSE
113	A2800950100	FLOW DIVERTER HOUSING
114	A2800970100	SPRING
117	A2800880100	TUB INLET HOSE
119	A2002371800	HOSE CLAMP
12	A2803510600	INNER COVER
1229	A2720500300	SPECIAL BOLT
123	A2002740000	DRAIN HOSE ELBOW
128	A2002370800	HOSE CLAMP (ø 15.88)
13	A2805310100	SECURITY SWITCH
13	A2805310400	SECURITY SWITCH
131	A2801550100	WATER INLET VALVE (SINGLE)
138	A2804680400	PUMP MOTOR
138	A2808190100	PUMP MOTOR
14	A2800400100	HINGE ASSEMBLY
140	A9003270100	PT SCREW 4*14
144	A9003270200	PT SCREW 4*18
146	A2838300100	DETERGENT DISPENSER ASSEMBLY
146	A2800900100	DETERGENT DISPENSER ASSEMBLY
156	A100601220	SCREW (B4.2*9.5 DIN 7981-H)
162	A2707050100	INTERFERENCE SUPPRESSOR
164	A2806730200	TERMINAL BOX BODY.
166	A2830801100	MAIN CABLE HARNESS.
168	A2818280100	TIMER
168	A2805460100	TIMER.
169	A2820900100	AC-INLET CABLE ASSEMBLY
170	A2801560500	PRESSURE SWITCH
171	A2802180300	BIMETAL THERMOSTAT
172	A2800150600	PANEL SUPPORT
18	A2005600200	ADJUSTABLE FEET ASSEMBLY
191	A2201920300	PUSH BUTTON SWITCH
197	A2803740194	DETERGENT DRAWER FRONT COVER
20	A2737600700	TRANSPORT SAFETY ASSEMBLY
200	A2806600155	PANEL ASSEMBLY (COMPLETE)..
203	A2806800011	TIMER KNOB ASSEMBLY.
208	A2806700133	PANEL BODY ASSEMBLY.
230	A2603900400	CABINET BELLOWS CLAMP ASSEMBLY
25	A2801540200	REAR COVER CAP
29	A100601520	SCREW (B4.2*13 DIN 7981-H)
300	A2803750100	FUNCTION BUTTON
33	A9001230200	PLASTIC CLAMP
335	A2003030000	SEAL
336	A2800800100	DETERGENT DRAWER ASSEMBLY
338	A2807570100	HOLDER.
339	A2806250100	OUTER COVER
340	A2806290100	HOOK SPRING
342	A2800860400	PIN
345	A2816100100	INNER COVER ASSEMBLY
347	A2800570100	LAMP GLASS
364	A2800740100	LAMP GLASS HOUSING
365	A2800450300	KICKPLATE COVER
366	A2800460200	KICKPLATE COVER SCREW
367	A2002373000	HOSE CLAMP
368	A2002372600	HOSE CLAMP (ø 49.8)
370	A2800890100	STEAM DISCHARGE HOSE
373	A2829100100	DISCHARGE HOSE ASSEMBLY
38	A2801410100	SPRING HOLDER
383	A2600940700	HOSE
388	A2201450300	THERMOSTAT RUBBER SEAL
388	A2803950100	THERMOSTAT RUBBER SEAL
388	A2801720100	THERMOSTAT RUBBER SEAL
401	A2800020800	FRONT PANEL
402	A2801350100	FIXER

Pos.	Référence	Désignation
403	A2800290100	FIXED FOOT RUBBER
411	A2811230100	DISCHARGE HOSE HOLDER
413	A111204320	BOLT (A.M5*5 DIN 7985)
414	A2804670100	FRONT PANEL HOLDER
415	A9003610100	SCREW (B4.2*9.5-TIRTILLI)
43	A2810540509	USERS MANUAL (FRENCH)
434	A2201920100	PUSH BUTTON SWITCH
45	A2805540100	COUNTERWEIGHT (UPPER)
453	A2002371700	HOSE CLAMP (ø 28,7)
463	A2000620600	HOSE.
469	A1800710000	HOSE FILTER
47	A2815500200	TUB ASSEMBLY (COMPLETE)
470	A2704120100	SIPHON ELBOW
472	A2704870100	CABLE HOLDER
472	A2812220100	CABLE HOLDER
473	A2609900300	DISCHARGE HOSE ASSEMBLY
48	A2804500100	DRUM ASSEMBLY (COMPLETE)
49	A2801760100	TUB GASKET
492	A9003670100	PT SCREW (4,5*12)
50	A2800630300	TUB FRONT CAP
51	A2803610100	TUB CLIPS
53	A2807380100	SUSPENSION SPRING
54	A2807710100	DOOR HOOD-RUBBER
55	A2802580100	DOOR HOOD CLAMP(SPRING)
56	A2808010100	PULLEY
56	A2808010200	PULLEY
57	A2005390100	PULLEY BOLT (HEX. HEAD)
582	A9003620200	PT SCREW (4.5*14)
583	A2705870100	SELF LOCKING CABLE HOLDER
588	A9003270400	PT SCREW 4*10
59	A2810980100	ELASTIC POLY-V BELT
6	A2810101100	CABINET ASSEMBLY
60	A2807270100	MOTOR CONNECTION NUT
63	A2806710500	ASYNCRONIOUS MOTOR (IBMEI) 600 D
63	A2805470600	ASYNCRONIOUS MOTOR (IMEP) 600 D/
65	A2703370900	HEATER
650	A2002373800	HOSE CLAMP( ø 15,6 )
653	A2806690200	MOTOR SUPPRESSOR (ICAR).
653	A2807960200	16 MF MOTOR CAPACITOR
654	A2819400100	L-PRESSURE TUBE HOSE ASSEMBLY
658	A9003860300	SCREW.
66	A2816870600	SHOCK ABSORBER
66	A2810430100	SHOCK ABSORBER
667	A2002370400	HOSE CLAMP (Ø 10.1)
67	A2803250400	SHOCK ABSORBER.
676	A2809020100	WIRE
68	A2805520100	COUNTERWEIGHT-LOWER
696	A9003270900	PT SCREW 4*10
7	A2800121100	REAR COVER
718	A2703010100	FIXING WASHER
72	A2801660200	HEATER SUPPORT
78	A2801430100	SHOCK ABSORBER PIN
797	A2811240100	CABLE HOLDER
80	A2720500100	SPECIAL BOLT.
9	A2806270200	HANDLE
99	A2810240100	SIPHON