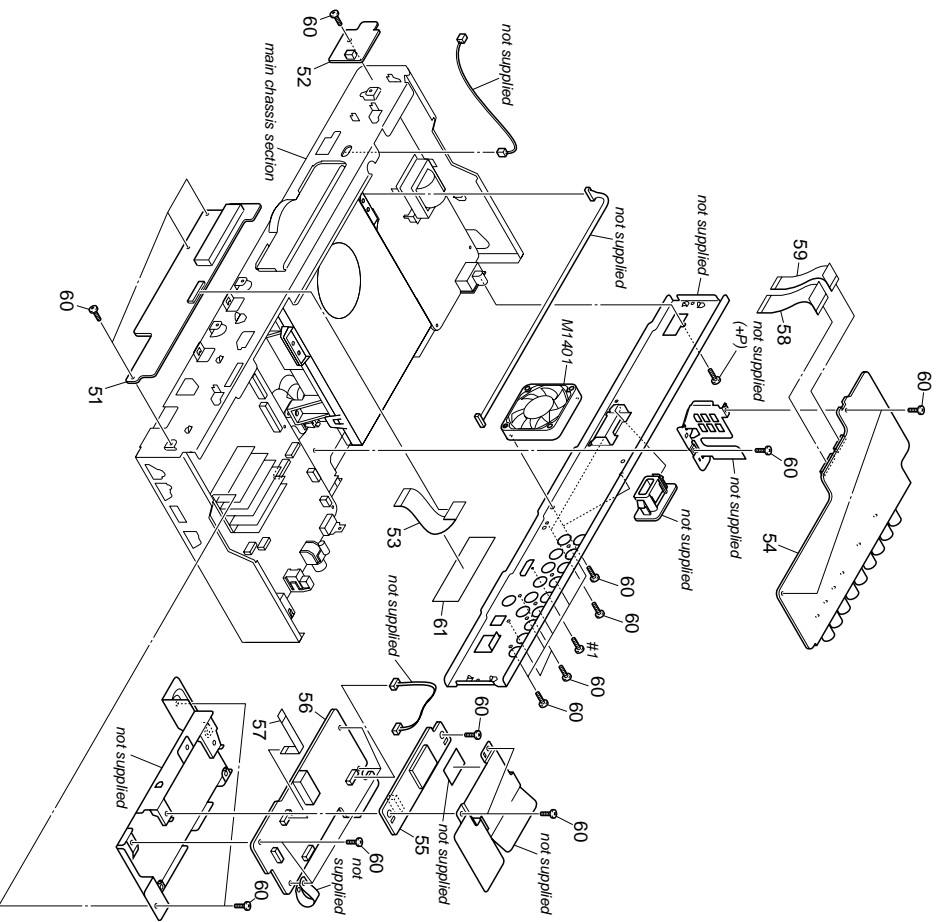


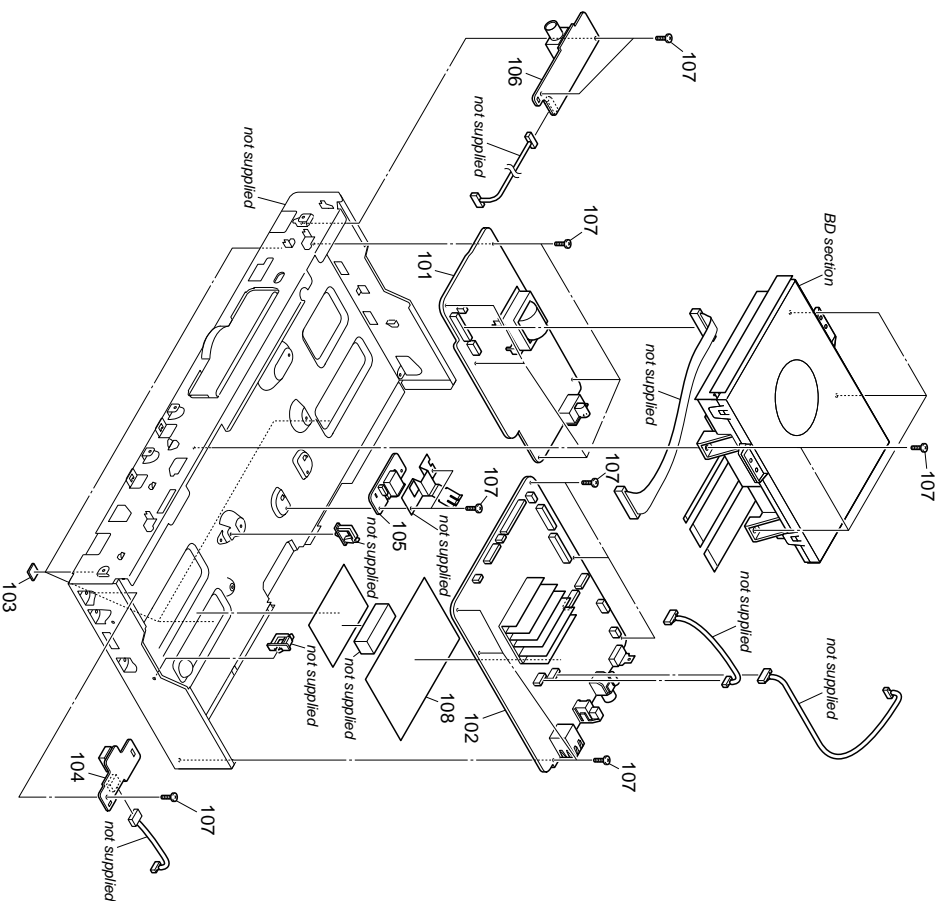
10-1-2. FRONT/REAR CHASSIS SECTION



Ref. No.	Part No.	Description
51	A-1731-887-A	FR-306 BOARD, COMPLETE
52	A-1731-889-A	FL-198 BOARD, COMPLETE
53	1-836-961-11	CABLE, FLEXIBLE FLAT (FMF-005)
54	A-1731-895-A	AM139 BOARD, COMPLETE
55	1-436-129-11	CARD, WIRELESS LAN
56	A-1731-899-A	HU-014 BOARD, COMPLETE
57	1-836-958-11	CABLE, FLEXIBLE FLAT (FMH-003)

Ref. No.	Part No.	Description	Remark
58	1-836-959-11	CABLE, FLEXIBLE FLAT (FMA-030)	
59	1-836-960-11	CABLE, FLEXIBLE FLAT (FMA-029)	
60	3-077-331-01	#B13 (3 CR)	
61	3-087-220-01	TAPE NON-HALOGENE	
	M1401	FAN, D.C.	
	#1	7-582-544-04	#B 3X3

10-1-3. MAIN CHASSIS SECTION



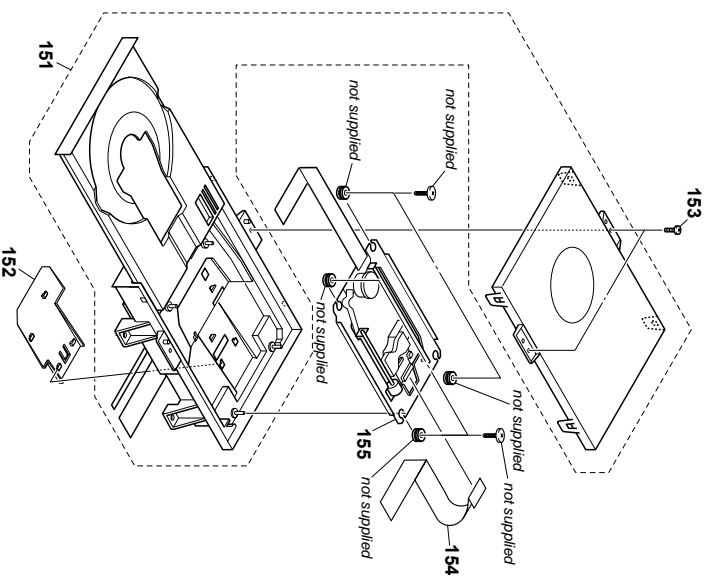
The components identified by mark Δ or dotted line with mark Δ are critical for safety. Replace only with part number specified.		Les composants identifiés par une marque Δ sont critiques pour la sécurité. Ne les remplacer que par une pièce portant le numéro spécifié.	
Ref. No.	Part No.	Description	Remark

Δ 101	1-474-150-41	REGULATOR, SWITCHING (SRV2183WW) (EC1, EC2, CEK, AUS)	
Δ 101	1-474-150-51	REGULATOR, SWITCHING (SRV2192JU) (US, CHD)	
\square 102	A-1732-097-A	MB-128 BOARD, COMPLETE (US, CHD)	
\square 102	A-1732-098-A	MB-128 BOARD, COMPLETE (EC1, EC2, CEK)	
\square 102	A-1732-099-A	MB-128 BOARD, COMPLETE (AUS)	

The components identified by mark \square contain confidential information. Strictly follow the instructions whenever the components are repaired and/or replaced.		Les composants identifiés par la marque \square contiennent des informations confidentielles. Suivre scrupuleusement les instructions chaque fois qu'un composant est remplacé et / ou réparé.	
Ref. No.	Part No.	Description	Remark

103	2-319-429-01	CUSHION, FOOT	
104	A-1731-893-A	USB-A020SU (U) BOARD, COMPLETE	
105	A-1731-891-A	USB-A019SU (U) BOARD, COMPLETE	
106	A-1731-897-A	HP-145SU (U) BOARD, COMPLETE	
107	3-077-351-01	#B/3 (3-CR)	
108	4-157-495-01	SHEET (MB-128)	

10-1-4. BD SECTION



Ref. No.	Part No.	Description
△ 151	A-177-332-A	LOADING FOR SERVICE
152	4-137-203-11	HOLDER, FFC
153	3-087-053-11	+BV/TP26 (3CR)

Ref. No.	Part No.	Description	Remark
△ 154	1-338-504-11	CABLE, FLEXIBLE FLAT	The components identified by mark △ or dotted line with mark △ are critical for safety. Remplacez uniquement les pièces portant le numéro spécifié.
△ 155	8-820-424-02	DEVICE, OPTICAL KEM-430AAAAC2RP	

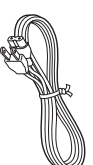
Les composants identifiés par une marque △ ou traitillés sont critiques pour la sécurité.
Ne les remplacez que par une pièce portant le numéro spécifié.

10-1-5. ACCESSORIES

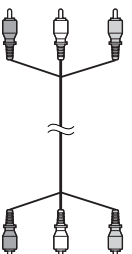
201
Remote Commander
(RMT/B106A/B106P)



202
AC Power Cord



203
Audio/Video Cable (Phono Plug x3)



204
External Memory (S1000ES)



The components identified by mark
 Δ or dotted line with mark Δ are
 critical for safety.
 Replace only with part number
 specified.

Les composants identifiés par une
 marque Δ sont critiques pour la
 sécurité.
 Ne les remplacer que par une pièce
 portant le numéro spécifié.

Ref. No.	Part No.	Description	Remark	Ref. No.	Part No.	Description	Remark
201	1-487-389-11	REMOTE COMMANDER (RMT-B106A) (US, CND)	*	4-145-650-11	MANUAL, INSTRUCTION (CEK, AUS)	*	
201	1-487-390-11	REMOTE COMMANDER (RMT-B106P) (EC1, EC2, CEK, AUS)	*	4-145-650-21	MANUAL, INSTRUCTION (EC1)	*	
Δ 202	1-555-074-52	CORD, POWER (AUS)	*	4-145-650-31	MANUAL, INSTRUCTION (EC1)	*	
Δ 202	1-575-131-92	CORD, POWER (EC1, EC2)	*	4-145-650-41	MANUAL, INSTRUCTION (EC1)	*	
Δ 202	1-823-701-11	CORD, POWER (US, CND)	*	4-145-651-11	MANUAL, INSTRUCTION (EC1)	*	
Δ 202	1-827-289-12	CORD, POWER (CEK)	*	4-145-651-11	MANUAL, INSTRUCTION (EC2)	*	
203	1-751-271-61	CORD CONNECTION (AV) (US, CND, AUS)	*	4-145-651-21	MANUAL, INSTRUCTION (EC2)	*	
204	8-989-053-32	EXTERNAL MEMORY (S1000ES)	*	4-145-651-31	MANUAL, INSTRUCTION (EC2)	*	
*	4-145-648-11	MANUAL, INSTRUCTION (ENGLISH) (S1000ES)	*	4-145-651-41	MANUAL, INSTRUCTION (EC2)	*	
*	4-145-649-11	MANUAL, INSTRUCTION (ENGLISH) (S760)	*	4-145-651-51	MANUAL, INSTRUCTION (EC2)	*	
*	4-145-649-21	MANUAL, INSTRUCTION (FRENCH) (S760)	*				

10-2. ELECTRICAL PARTS LIST

ANT-005

ANT-006

AV-139

NOTE:

- Due to standardization, replacements in the parts list may be different from the parts specified in the diagrams of the components used on the set.
- -XX and -X mean standardized parts, so they may have some difference from the original one.
- RESISTORS
- All resistors are in ohms.
- METAL: Metal-film resistor.
- METAL OXIDE: Metal oxide-film resistor.
- E: nonflammable
- Items marked "as" are not stocked since they are seldom required for routine service.
- Some delay should be anticipated when ordering these items.

- SEMICONDUCTORS
- In each case, ur, μ , for example:
- uA. . . : μ A.
- uPA. . . : μ PA.
- uPB. . . : μ PB.
- uPC. . . : μ PC.
- uPD. . . : μ PD.
- uPF. . . : μ PF.

- CAPACITORS
- uF: μ F
- uM: μ M
- uS: μ S

The components identified by mark Δ or dotted line with mark Δ are critical for safety.

Replace only with part number specified.

Les composants identifiés par une marque Δ sont critiques pour la sécurité.

Ne les remplacer que par une pièce portant le numéro spécifié.

Ref. No.	Part No.	Description	Remark	Ref. No.	Part No.	Description	Remark
	A-1731-901-A	ANT-005 BOARD COMPLETE		C033	1-164-315-11	CERAMIC CHIP 470PF	5% 50V
		*****	(Ref. No. 20,000 Series)				
		< CONNECTOR >					
	CN201	1-818-381-11 CONNECTOR COAXIAL					
		*****	(Ref. No. 20,000 Series)				
	A-1731-903-A	ANT-006 BOARD COMPLETE		C034	1-164-315-11	CERAMIC CHIP 470PF	5% 50V
		*****	(Ref. No. 20,000 Series)	C035	1-164-315-11	CERAMIC CHIP 470PF	5% 50V
		< CONNECTOR >		C036	1-164-315-11	CERAMIC CHIP 470PF	5% 50V
	CN201	1-818-381-11 CONNECTOR COAXIAL		C037	1-164-315-11	CERAMIC CHIP 470PF	5% 50V
		*****	(Ref. No. 20,000 Series)	C038	1-164-315-11	CERAMIC CHIP 470PF	5% 50V
		< CONNECTOR >					
	A-1731-895-A	AV-139 BOARD COMPLETE		C039	1-164-315-11	CERAMIC CHIP 470PF	5% 50V
		*****	(Ref. No. 20,000 Series)	C040	1-164-315-11	CERAMIC CHIP 470PF	5% 50V
		< CAPACITOR >		C041	1-164-315-11	CERAMIC CHIP 470PF	5% 50V
	CN301	1-818-381-11 CONNECTOR COAXIAL		C042	1-100-566-91	CERAMIC CHIP 0.1uF	10% 25V
		*****	(Ref. No. 20,000 Series)	C043	1-100-566-91	CERAMIC CHIP 0.1uF	10% 25V
		< CAPACITOR >		C044	1-100-566-91	CERAMIC CHIP 0.1uF	10% 25V
	C003	1-127-715-11 CERAMIC CHIP 0.22uF	10% 16V	C045	1-100-566-91	CERAMIC CHIP 0.1uF	10% 25V
	C004	1-126-947-11 ELECT 47uF	20% 35V	C046	1-100-566-91	CERAMIC CHIP 0.1uF	10% 25V
	C005	1-126-947-11 ELECT 47uF	20% 35V	C047	1-164-315-11	CERAMIC CHIP 470PF	5% 50V
	C006	1-162-964-11 CERAMIC CHIP 0.001uF	10% 50V	C048	1-164-315-11	CERAMIC CHIP 470PF	5% 50V
	C007	1-127-715-11 CERAMIC CHIP 0.22uF	10% 16V				
	C008	1-127-715-11 CERAMIC CHIP 0.22uF	10% 16V	C049	1-164-315-11	CERAMIC CHIP 470PF	5% 50V
	C011	1-127-715-11 CERAMIC CHIP 0.22uF	10% 16V	C050	1-14-263-91	ELECT 47uF	20% 25V
	C012	1-100-966-91 CERAMIC CHIP 10uF	20% 10V	C051	1-14-263-91	ELECT 47uF	20% 25V
	C013	1-100-966-91 CERAMIC CHIP 10uF	20% 10V	C052	1-164-315-11	CERAMIC CHIP 470PF	5% 50V
	C022	1-164-173-11 CERAMIC CHIP 0.0039uF	10% 50V	C053	1-164-315-11	CERAMIC CHIP 470PF	5% 50V
	C023	1-164-173-11 CERAMIC CHIP 0.0039uF	10% 50V				
	C024	1-164-173-11 CERAMIC CHIP 0.0039uF	10% 50V	C054	1-164-315-11	CERAMIC CHIP 470PF	5% 50V
	C025	1-164-173-11 CERAMIC CHIP 0.0039uF	10% 50V	C055	1-164-315-11	CERAMIC CHIP 470PF	5% 50V
	C026	1-164-173-11 CERAMIC CHIP 0.0039uF	10% 50V	C056	1-14-263-91	CERAMIC CHIP 470PF	5% 50V
	C027	1-164-173-11 CERAMIC CHIP 0.0039uF	10% 50V	C057	1-14-263-91	ELECT 47uF	20% 25V
	C028	1-164-173-11 CERAMIC CHIP 0.0039uF	10% 50V	C058	1-14-263-91	ELECT 47uF	20% 25V
	C029	1-164-173-11 CERAMIC CHIP 0.0039uF	10% 50V				
	C030	1-164-173-11 CERAMIC CHIP 0.0039uF	10% 50V	C064	1-14-263-91	ELECT 47uF	20% 25V
	C031	1-164-173-11 CERAMIC CHIP 0.0039uF	10% 50V	C065	1-14-263-91	ELECT 47uF	20% 25V
	C032	1-164-315-11 CERAMIC CHIP 470PF	5% 50V	C066	1-14-263-91	ELECT 47uF	20% 25V
				C067	1-100-566-91	CERAMIC CHIP 0.1uF	10% 25V
				C068	1-100-566-91	CERAMIC CHIP 0.1uF	10% 25V
				C069	1-100-566-91	CERAMIC CHIP 0.1uF	10% 25V
				C070	1-100-566-91	CERAMIC CHIP 0.1uF	10% 25V
				C071	1-100-566-91	CERAMIC CHIP 0.1uF	10% 25V
				C072	1-164-230-11	CERAMIC CHIP 220PF	5% 50V
				C073	1-164-230-11	CERAMIC CHIP 220PF	5% 50V
				C074	1-164-230-11	CERAMIC CHIP 220PF	5% 50V
				C075	1-164-230-11	CERAMIC CHIP 220PF	5% 50V

Ref. No.	Part No.	Description	Remark
C076	1-164-230-11	CERAMIC CHIP	220PF 5%
C077	1-164-230-11	CERAMIC CHIP	220PF 5%
C078	1-164-230-11	CERAMIC CHIP	220PF 5%
C079	1-164-230-11	CERAMIC CHIP	220PF 5%
C080	1-164-230-11	CERAMIC CHIP	220PF 5%
C081	1-164-230-11	CERAMIC CHIP	220PF 5%
C082	1-126-947-11	ELECT	220UF 20%
C094	1-127-775-11	CERAMIC CHIP	0.22UF 10%
C086	1-100-966-91	CERAMIC CHIP	10UF 20%
C088	1-100-669-11	ELECT CHIP	100UF 20%
C088	1-100-669-11	ELECT CHIP	100UF 20%
C089	1-126-947-11	ELECT	47UF 20%
C090	1-162-964-11	CERAMIC CHIP	0.001UF 10%
C202	1-100-777-91	CERAMIC CHIP	1UF 16V
C203	1-107-726-91	CERAMIC CHIP	0.01UF 16V
C204	1-100-777-91	CERAMIC CHIP	1UF 16V
C205	1-126-947-11	ELECT	47UF 20%
C206	1-107-826-11	CERAMIC CHIP	0.1UF 16V
C207	1-100-566-91	CERAMIC CHIP	0.1UF 25V
C208	1-126-947-11	ELECT	47UF 20%
C209	1-126-964-11	CERAMIC CHIP	10UF 35V
C210	1-107-826-11	CERAMIC CHIP	0.1UF 16V
C211	1-100-566-91	CERAMIC CHIP	0.1UF 25V
C212	1-100-566-91	CERAMIC CHIP	0.1UF 25V
C213	1-126-947-11	ELECT	47UF 20%
C214	1-126-947-11	ELECT	47UF 20%
C215	1-100-566-91	CERAMIC CHIP	0.1UF 25V
C216	1-100-566-91	CERAMIC CHIP	0.1UF 25V
C217	1-100-566-91	CERAMIC CHIP	0.1UF 25V
C218	1-100-566-91	CERAMIC CHIP	0.1UF 25V
C219	1-100-566-91	CERAMIC CHIP	0.1UF 25V
C220	1-126-947-11	ELECT	47UF 35V
C221	1-100-566-91	CERAMIC CHIP	0.1UF 25V
C222	1-100-566-91	CERAMIC CHIP	0.1UF 25V
C223	1-100-566-91	CERAMIC CHIP	0.1UF 25V
C224	1-100-566-91	CERAMIC CHIP	0.1UF 25V
C225	1-100-566-91	CERAMIC CHIP	0.1UF 25V
C226	1-126-947-11	ELECT	47UF 20%
C227	1-107-826-11	CERAMIC CHIP	0.1UF 16V
CN001	1-573-768-21	PIN CONNECTOR (1.5MM) (SMD) 5P	
CN203	1-821-773-51	CONNECTOR, FFC/FFC 21P	
< DIODE >			
D001	6-500-335-01	DIODE MC2836-T112-1	
D002	6-501-817-01	DIODE MA21110G1S0	
D004	6-501-817-01	DIODE MA21110G1S0	
D016	6-500-334-01	DIODE MC2836-T112-1	
D203	6-501-675-01	DIODE H2M6 82MWALT-E	
D205	6-501-675-01	DIODE H2M6 82MWALT-E	
D206	6-501-675-01	DIODE H2M6 82MWALT-E	
D208	6-501-675-01	DIODE H2M6 82MWALT-E	
D209	6-501-675-01	DIODE H2M6 82MWALT-E	
D211	6-501-675-01	DIODE H2M6 82MWALT-E	
< CONNECTOR >			
< COIL >			
J001	1-794-794-11	JACK, PIN 2P (AUDIO L/R)	
J002	1-793-924-11	JACK, PIN 4P (MULTI CHANNEL OUTPUT) (SROUND/FRONT)	
J003	1-822-614-11	JACK, PIN 4P (MULTI CHANNEL OUTPUT (CENTERSUBWOOFERSUB BACK) TERMINAL BOARD (S TERMINAL+1P) (SVIDEO/VIDEO	
L101	1-469-967-21	INDUCTOR	10UH
L201	1-469-967-21	INDUCTOR	10UH
L202	1-469-967-21	INDUCTOR	10UH
L203	1-469-967-21	INDUCTOR	10UH
L204	1-469-967-21	INDUCTOR	10UH
L206	1-469-967-21	INDUCTOR	10UH
< IC LINK >			
△PS101	1-576-122-21	IC LINK	0.4A 72V
△PS102	1-576-122-21	IC LINK	0.4A 72V
△PS103	1-576-122-21	IC LINK	0.4A 72V
< TRANSISTOR >			
Q003	8-729-620-07	TRANSISTOR	2SC3052EF-T1-LEF
Q004	8-729-029-14	TRANSISTOR	DTC144EUA-T106
Q006	8-729-029-14	TRANSISTOR	DTC144EUA-T106
Q012	6-551-686-01	TRANSISTOR	ISA1235AC1T-P-1EF
Q014	6-551-686-01	TRANSISTOR	ISA1235AC1T-P-1EF
Q016	6-551-686-01	TRANSISTOR	ISA1235AC1T-P-1EF
Q026	8-729-028-73	TRANSISTOR	DTA114EUA-T106
Q027	8-729-620-07	TRANSISTOR	2SC3052EF-T1-LEF
Q028	6-551-686-01	TRANSISTOR	ISA1235AC1T-P-1EF
Q201	8-729-028-83	TRANSISTOR	DTA124EUA-T106
Q202	8-729-620-07	TRANSISTOR	2SC3052EF-T1-LEF
Q203	8-729-620-07	TRANSISTOR	2SC3052EF-T1-LEF
Q204	8-729-620-07	TRANSISTOR	2SC3052EF-T1-LEF
Q205	8-729-620-07	TRANSISTOR	2SC3052EF-T1-LEF
Q206	8-729-620-07	TRANSISTOR	2SC3052EF-T1-LEF
Q212	8-729-028-83	TRANSISTOR	DTA124EUA-T106
Q214	8-729-027-52	TRANSISTOR	DTC124EKA-T146
< RESISTOR >			
R001	1-216-833-11	METAL CHIP	10K 5%
R002	1-216-833-11	METAL CHIP	10K 5%
R003	1-216-830-11	METAL CHIP	5.6K 5%
R004	1-216-809-11	METAL CHIP	100 5%
R005	1-216-811-11	METAL CHIP	150 5%

The components identified by mark Δ or dotted line with mark Δ are critical for safety.
 Replace only with part number specified.

Les composants identifiés par une marque Δ sont critiques pour la sécurité.
 Ne les remplacer que par une pièce portant le numéro spécifié.

Ref. No.	Part No.	Description	Remark	Ref. No.	Part No.	Description	Remark
R006	1-216-811-11	METAL CHIP	150	R076	1-218-710-11	METAL CHIP	5.8K 1/10W
R007	1-216-811-11	METAL CHIP	150	R077	1-218-710-11	METAL CHIP	5.8K 1/10W
R008	1-216-809-11	METAL CHIP	100	R078	1-218-674-11	METAL CHIP	180 0.5% 1/10W
R009	1-216-830-11	METAL CHIP	5.8K	R079	1-218-674-11	METAL CHIP	180 0.5% 1/10W
R010	1-216-833-11	METAL CHIP	10K	R080	1-218-674-11	METAL CHIP	180 0.5% 1/10W
R011	1-216-811-11	METAL CHIP	150	R081	1-218-674-11	METAL CHIP	180 0.5% 1/10W
R013	1-216-841-11	METAL CHIP	47K	R082	1-218-674-11	METAL CHIP	180 0.5% 1/10W
R014	1-216-845-11	METAL CHIP	100K	R083	1-218-674-11	METAL CHIP	180 0.5% 1/10W
R015	1-216-833-11	METAL CHIP	10K	R084	1-218-674-11	METAL CHIP	180 0.5% 1/10W
R017	1-216-825-11	METAL CHIP	2.2K	R085	1-218-674-11	METAL CHIP	180 0.5% 1/10W
R018	1-216-821-11	METAL CHIP	1K	R086	1-218-674-11	METAL CHIP	180 0.5% 1/10W
R019	1-216-839-11	METAL CHIP	33K	R087	1-218-674-11	METAL CHIP	180 0.5% 1/10W
R020	1-216-811-11	METAL CHIP	150	R088	1-218-674-11	METAL CHIP	180 0.5% 1/10W
R021	1-216-813-11	METAL CHIP	2.2K	R089	1-218-708-11	METAL CHIP	4.7K 1/10W
R022	1-216-813-11	METAL CHIP	220	R090	1-218-674-11	METAL CHIP	180 0.5% 1/10W
R023	1-216-813-11	METAL CHIP	220	R091	1-218-708-11	METAL CHIP	4.7K 1/10W
R024	1-216-813-11	METAL CHIP	220	R092	1-218-674-11	METAL CHIP	180 0.5% 1/10W
R025	1-216-813-11	METAL CHIP	220	R093	1-218-708-11	METAL CHIP	4.7K 1/10W
R027	1-216-825-11	METAL CHIP	2.2K	R094	1-218-674-11	METAL CHIP	180 0.5% 1/10W
R028	1-216-811-11	METAL CHIP	150	R095	1-218-708-11	METAL CHIP	4.7K 1/10W
R029	1-216-813-11	METAL CHIP	220	R096	1-218-674-11	METAL CHIP	180 0.5% 1/10W
R030	1-216-833-11	METAL CHIP	10K	R097	1-218-710-11	METAL CHIP	5.8K 1/10W
R032	1-216-813-11	METAL CHIP	220	R098	1-218-708-11	METAL CHIP	4.7K 1/10W
R033	1-216-841-11	METAL CHIP	47K	R099	1-218-674-11	METAL CHIP	180 0.5% 1/10W
R034	1-216-829-11	METAL CHIP	4.7K	R100	1-218-708-11	METAL CHIP	4.7K 1/10W
R035	1-216-833-11	METAL CHIP	10K	R101	1-218-674-11	METAL CHIP	180 0.5% 1/10W
R037	1-216-811-11	METAL CHIP	150	R102	1-218-708-11	METAL CHIP	4.7K 1/10W
R039	1-216-809-11	METAL CHIP	100	R103	1-218-674-11	METAL CHIP	180 0.5% 1/10W
R040	1-216-833-11	METAL CHIP	10K	R104	1-218-708-11	METAL CHIP	4.7K 1/10W
R042	1-216-833-11	METAL CHIP	10K	R105	1-218-674-11	METAL CHIP	180 0.5% 1/10W
R044	1-216-833-11	METAL CHIP	10K	R106	1-218-710-11	METAL CHIP	5.8K 1/10W
R046	1-216-833-11	METAL CHIP	10K	R107	1-218-674-11	METAL CHIP	180 0.5% 1/10W
R048	1-218-706-11	METAL CHIP	3.9K	R108	1-216-817-11	METAL CHIP	470 5% 1/10W
R049	1-218-706-11	METAL CHIP	3.9K	R109	1-216-817-11	METAL CHIP	470 5% 1/10W
R050	1-218-706-11	METAL CHIP	3.9K	R110	1-216-817-11	METAL CHIP	470 5% 1/10W
R051	1-218-706-11	METAL CHIP	3.9K	R111	1-216-817-11	METAL CHIP	470 5% 1/10W
R052	1-218-706-11	METAL CHIP	3.9K	R112	1-216-817-11	METAL CHIP	470 5% 1/10W
R053	1-218-706-11	METAL CHIP	3.9K	R113	1-216-817-11	METAL CHIP	470 5% 1/10W
R054	1-218-706-11	METAL CHIP	3.9K	R114	1-216-817-11	METAL CHIP	470 5% 1/10W
R055	1-218-706-11	METAL CHIP	3.9K	R115	1-216-817-11	METAL CHIP	470 5% 1/10W
R056	1-218-706-11	METAL CHIP	3.9K	R116	1-216-817-11	METAL CHIP	470 5% 1/10W
R057	1-218-706-11	METAL CHIP	3.9K	R117	1-216-817-11	METAL CHIP	470 5% 1/10W
R058	1-218-706-11	METAL CHIP	3.9K	R118	1-216-841-11	METAL CHIP	47K 5% 1/10W
R059	1-218-706-11	METAL CHIP	3.9K	R119	1-216-841-11	METAL CHIP	47K 5% 1/10W
R060	1-218-706-11	METAL CHIP	3.9K	R120	1-216-841-11	METAL CHIP	47K 5% 1/10W
R061	1-218-706-11	METAL CHIP	3.9K	R121	1-216-841-11	METAL CHIP	47K 5% 1/10W
R062	1-218-709-11	METAL CHIP	5.1K	R122	1-216-841-11	METAL CHIP	47K 5% 1/10W
R063	1-218-709-11	METAL CHIP	5.1K	R123	1-216-841-11	METAL CHIP	47K 5% 1/10W
R064	1-218-709-11	METAL CHIP	5.1K	R124	1-216-841-11	METAL CHIP	47K 5% 1/10W
R065	1-218-709-11	METAL CHIP	5.1K	R125	1-216-841-11	METAL CHIP	47K 5% 1/10W
R066	1-218-706-11	METAL CHIP	3.9K	R126	1-216-841-11	METAL CHIP	47K 5% 1/10W
R067	1-218-706-11	METAL CHIP	3.9K	R127	1-216-841-11	METAL CHIP	47K 5% 1/10W
R068	1-218-709-11	METAL CHIP	4.7K	R128	1-216-817-11	METAL CHIP	470 5% 1/10W
R069	1-218-709-11	METAL CHIP	4.7K	R129	1-216-817-11	METAL CHIP	470 5% 1/10W
R070	1-218-709-11	METAL CHIP	4.7K	R130	1-216-817-11	METAL CHIP	470 5% 1/10W
R071	1-218-708-11	METAL CHIP	4.7K	R131	1-216-817-11	METAL CHIP	470 5% 1/10W
R072	1-218-708-11	METAL CHIP	4.7K	R132	1-216-817-11	METAL CHIP	470 5% 1/10W
R073	1-218-708-11	METAL CHIP	4.7K	R133	1-216-817-11	METAL CHIP	470 5% 1/10W
R074	1-218-708-11	METAL CHIP	4.7K	R134	1-216-817-11	METAL CHIP	470 5% 1/10W
R075	1-218-708-11	METAL CHIP	4.7K	R145	1-216-817-11	METAL CHIP	470 5% 1/10W

Ref. No.	Part No.	Description	Remark	Ref. No.	Part No.	Description	Remark				
R146	1-216-817-11	METAL CHIP	470 5%	1/10W	C713	1-115-339-11	CERAMIC CHIP 0.1uF 10%	50V 1/10W			
R147	1-216-817-11	METAL CHIP	470 5%	1/10W	C714	1-107-726-91	CERAMIC CHIP 0.01uF 10%	16V 1/10W			
R148	1-216-845-11	METAL CHIP	100K 5%	1/10W	C715	1-107-726-91	CERAMIC CHIP 0.01uF 10%	16V 1/10W			
R150	1-216-845-11	METAL CHIP	100K 5%	1/10W	C716	1-115-339-11	CERAMIC CHIP 0.1uF 10%	50V 1/10W			
R161	1-216-845-11	METAL CHIP	100K 5%	1/10W	C717	1-164-217-11	CERAMIC CHIP 150PF 5%	50V 1/10W			
R169	1-216-821-11	METAL CHIP	1K 5%	1/10W	C719	1-100-909-11	CERAMIC CHIP 10uF 10%	50V 6.3V			
R170	1-216-821-11	METAL CHIP	1K 5%	1/10W	<CONNECTOR>						
R201	1-216-833-11	METAL CHIP	10K 5%	1/10W	CN701	1-793-806-51	CONNECTOR: FFC/FFC 17P				
R202	1-216-821-11	METAL CHIP	1K 5%	1/10W	<DIODE >						
R208	1-216-827-11	METAL CHIP	3.3K 5%	1/10W	D703	8-719-988-61	DIODE 1SS355TE-17				
R210	1-216-833-11	METAL CHIP	10K 5%	1/10W	D704	8-719-988-61	DIODE 1SS355TE-17				
R211	1-216-801-11	METAL CHIP	22 5%	1/10W	D705	8-719-988-61	DIODE 1SS355TE-17				
R212	1-216-801-11	METAL CHIP	22 5%	1/10W	D706	8-719-988-61	DIODE 1SS355TE-17				
R213	1-216-801-11	METAL CHIP	22 5%	1/10W	D707	6-501-726-01	DIODE MZ3047GMSL50				
R214	1-216-801-11	METAL CHIP	22 5%	1/10W	D710	6-501-368-01	LED CL-197HGS-OD-T(WLAN)				
R215	1-216-801-11	METAL CHIP	22 5%	1/10W	<IC >						
R219	1-216-819-11	METAL CHIP	880 5%	1/10W	IC701	6-800-665-01	IC GPUUEZ7XK0VF				
R220	1-216-819-11	METAL CHIP	880 5%	1/10W	IC702	6-701-729-01	IC P76315				
R221	1-216-819-11	METAL CHIP	880 5%	1/10W	<COIL >						
R222	1-216-819-11	METAL CHIP	880 5%	1/10W	L701	1-411-919-11	INDUCTOR 100uH				
R223	1-216-819-11	METAL CHIP	880 5%	1/10W	<FLUORESCENT INDICATOR TUBE >						
R234	1-216-825-11	METAL CHIP	2.2K 5%	1/10W	<IC LINK >						
R235	1-216-809-11	METAL CHIP	100 5%	1/10W	ND701	1-483-097-11	INDICATOR TUBE: FLUORESCENT				
R237	1-218-285-11	METAL CHIP	75 5%	1/10W	<IC LINK >						
R239	1-218-285-11	METAL CHIP	75 5%	1/10W	ΔPST01	1-576-122-21	IC LINK 0.4A 72V				
R241	1-218-285-11	METAL CHIP	75 5%	1/10W	<TRANSISTOR >						
R242	1-218-285-11	METAL CHIP	75 5%	1/10W	Q703	8-729-421-19	TRANSISTOR UN2213				
R243	1-218-285-11	METAL CHIP	75 5%	1/10W	Q704	8-729-904-87	TRANSISTOR 2SB1197K-R				
R244	1-218-285-11	METAL CHIP	75 5%	1/10W	Q705	8-729-904-87	TRANSISTOR 2SB1197K-R				
R256	1-216-833-11	METAL CHIP	10K 5%	1/10W	Q706	8-729-901-88	TRANSISTOR 2SC2411K-CR				
R267	1-216-827-11	METAL CHIP	3.3K 5%	1/10W	Q707	8-729-901-88	TRANSISTOR 2SC2411K-CR				

A-1731-889A-A		FL-198 BOARD COMPLETE									

		(Ref. No.20.000 Series)									

CN331		1-771-410-21	SWITCH TACTILE (N ^o 2)								
		< SWITCH >									
S331		1-771-410-21	SWITCH TACTILE (N ^o 2)								

A-1731-887A-A		FR-306 BOARD COMPLETE									

		(Ref. No.20.000 Series)									

		< CAPACITOR >									
C701	1-115-339-11	CERAMIC CHIP	0.1uF 10%	50V	R701	1-216-833-11	METAL CHIP 10K 5%	1/10W			
C703	1-117-881-11	ELECT CHIP	100uF 20%	16V	R705	1-216-821-11	METAL CHIP 1K 5%	1/10W			
C704	1-137-765-21	ELECT CHIP	47uF 20%	16V	R707	1-216-828-11	METAL CHIP 3.9K 5%	1/10W			
C707	1-107-726-91	CERAMIC CHIP	0.01uF 10%	16V	R712	1-216-825-11	METAL CHIP 2.2K 5%	1/10W			
C711	1-115-339-11	CERAMIC CHIP	0.1uF 10%	50V	R714	1-216-829-11	METAL CHIP 4.7K 5%	1/10W			
C712	1-128-131-11	ELECT	22uF 20%	50V	R715	1-216-845-11	METAL CHIP 100K 5%	1/10W			

		< RESISTOR >									
R721	1-216-825-11	METAL CHIP	2.2K 5%	1/10W	Q708	8-729-421-19	TRANSISTOR UN2213				
R723	1-216-813-11	METAL CHIP	220 5%	1/10W	Q709	8-729-421-19	TRANSISTOR UN2213				
R724	1-216-833-11	METAL CHIP	10K 5%	1/10W	Q710	8-729-421-19	TRANSISTOR UN2213				
R725	1-216-805-11	METAL CHIP	47 5%	1/10W	Q711	8-729-421-19	TRANSISTOR UN2213				

The components identified by mark Δ or dotted line with mark Δ are critical for safety.
Replace only with part number specified.

Les composants identifiés par une marque Δ ou traités en pointillés sont critiques pour la sécurité.
Ne les remplacer que par une pièce portant le numéro spécifié.

BDP-S760/S1000ES

FR-306

HP-154

HU-014

Ref. No.	Part No.	Description	Remark
		< SWITCH >	
S701	1-771-410-21	SWITCH, TACTILE (◀)	
S702	1-771-410-21	SWITCH, TACTILE (■)	
S704	1-771-410-21	SWITCH, TACTILE (▶)	
		< TRANSFORMER >	
* T701	1-445-447-11	TRANSFORMER, DC-DC CONVERTER	
	A-1731-897-A	HP-154 BOARD, COMPLETE	

		(Ref. No. 20,000 Series)	
		< CAPACTOR >	
C403	1-115-467-11	CERAMIC CHIP 0.22uF	10V
C407	1-100-966-91	CERAMIC CHIP 10uF	20%
C409	1-115-467-11	CERAMIC CHIP 0.22uF	10%
C410	1-164-937-11	CERAMIC CHIP 0.001uF	50V
C411	1-164-937-11	CERAMIC CHIP 0.001uF	10%
C412	1-127-966-21	FILM CHIP 0.1uF	5%
C413	1-127-966-21	FILM CHIP 0.1uF	5%
C414	1-127-966-21	FILM CHIP 0.1uF	5%
C416	1-165-884-11	CERAMIC CHIP 2.2uF	10%
C420	1-100-905-11	CERAMIC CHIP 0.001uF	10%
C430	1-165-871-21	ELECT CHIP 22uF	20%
C431	1-165-884-11	CERAMIC CHIP 2.2uF	10%
C432	1-165-884-11	CERAMIC CHIP 2.2uF	10%
C433	1-100-669-11	ELECT CHIP 100uF	20%
C434	1-127-966-21	FILM CHIP 0.1uF	5%
C435	1-127-966-21	FILM CHIP 0.1uF	5%
C438	1-127-966-21	FILM CHIP 0.1uF	5%
C437	1-100-669-11	ELECT CHIP 100uF	20%
		< DIODE >	
D401	6-501-675-01	DIODE HZMG 82MWVLT-E	
D402	6-501-675-01	DIODE HZMG 82MWVLT-E	
D405	8-719-989-00	DIODE DA221	
D406	8-719-989-00	DIODE DA221	
D407	8-719-989-00	DIODE DA221	
		< FERRITE BEAD >	
FB401	1-400-693-21	INDUCTOR, FERRITE BEAD (1005)	
FB402	1-400-693-21	INDUCTOR, FERRITE BEAD (1005)	
		< IC >	
IC401	6-702-302-01	IC TK11130CSQL-G	
IC403	6-713-942-01	IC AK4342ENL	
		< JACK >	
J401	1-815-313-21	JACK (PHONES)	
		< COIL >	
L401	1-412-062-11	INDUCTOR 47uH	
L402	1-412-062-11	INDUCTOR 47uH	
		< TRANSISTOR >	
Q402	8-729-028-96	TRANSISTOR DTC114EUA1106	

Ref. No.	Part No.	Description	Remark
		< RESISTOR >	
R401	1-218-980-81	SHORT CHIP 0	
R408	1-218-943-11	METAL CHIP 150	5%
R409	1-218-943-11	METAL CHIP 150	5%
R410	1-218-943-11	METAL CHIP 150	5%
R411	1-218-943-11	METAL CHIP 150	5%
R417	1-218-941-81	METAL CHIP 100	5%
R422	1-211-969-11	METAL CHIP 10	1/10V
R423	1-211-969-11	METAL CHIP 10	0.5%
R437	1-218-965-11	METAL CHIP 10K	5%
R449	1-216-797-11	METAL CHIP 10	5%
R454	1-218-977-11	METAL CHIP 100K	5%
R459	1-211-969-11	METAL CHIP 10	0.5%
R460	1-211-969-11	METAL CHIP 10	0.5%
		< CAPACTOR >	
A1731-899-A		HU-014 BOARD, COMPLETE	

		(Ref. No. 20,000 Series)	
		< CAPACTOR >	
C104	1-137-893-11	ELECT CHIP 22uF	20%
C105	1-137-893-11	ELECT CHIP 22uF	20%
C107	1-100-766-21	ELECT CHIP 47uF	20%
C109	1-100-766-21	ELECT CHIP 47uF	20%
C111	1-165-908-11	CERAMIC CHIP 1uF	10%
C112	1-137-893-11	ELECT CHIP 22uF	20%
C113	1-164-882-11	CERAMIC CHIP 12PF	5%
C114	1-164-882-11	CERAMIC CHIP 12PF	5%
C115	1-100-916-11	CERAMIC CHIP 0.1uF	10%
* C116	1-112-298-91	CERAMIC CHIP 1uF	10%
C117	1-100-916-11	CERAMIC CHIP 0.1uF	10%
C118	1-100-916-11	CERAMIC CHIP 0.1uF	10%
C119	1-112-300-91	CERAMIC CHIP 4.7uF	10%
C121	1-100-916-11	CERAMIC CHIP 0.1uF	10%
C122	1-100-916-11	CERAMIC CHIP 0.1uF	10%
C123	1-100-916-11	CERAMIC CHIP 0.1uF	10%
C124	1-100-916-11	CERAMIC CHIP 0.1uF	10%
C125	1-100-916-11	CERAMIC CHIP 0.1uF	10%
C126	1-100-916-11	CERAMIC CHIP 0.1uF	10%
* C127	1-112-298-91	CERAMIC CHIP 1uF	10%
C128	1-165-482-21	ELECT CHIP 100uF	20%
C129	1-128-394-11	ELECT CHIP 220uF	20%
C130	1-165-492-21	ELECT CHIP 100uF	20%
C132	1-100-916-11	CERAMIC CHIP 0.1uF	10%
C143	1-125-777-11	CERAMIC CHIP 0.1uF	10%
C146	1-165-908-11	CERAMIC CHIP 1uF	10%
		< CONNECTOR >	
CN102	1-573-290-21	PIN, CONNECTOR (15MM) (SMD) 4P	
CN103	1-573-768-81	PIN, CONNECTOR (15MM) (SMD) 5P	
CN104	1-573-768-41	PIN, CONNECTOR (15MM) (SMD) 5P	
		< DIODE >	
D106	6-500-701-01	DIODE PS8101063NR	
D107	6-500-701-01	DIODE PS8101063NR	
D109	6-501-817-01	DIODE MA21110G1S0	
D110	6-501-817-01	DIODE MA21110G1S0	
D111	6-501-817-01	DIODE MA21110G1S0	

Ref. No.	Part No.	Description	Remark	Ref. No.	Part No.	Description	Remark
		< FERRITE BEAD >		C112	1-100-905-11	CERAMIC CHIP 0.001uF	10% 50V
				C113	1-100-905-11	CERAMIC CHIP 0.001uF	10% 50V
				C115	1-100-916-11	CERAMIC CHIP 0.1uF	10% 16V
FB101	1-400-382-11	EMI FERRITE (SMD) (1608)		C116	1-100-916-11	CERAMIC CHIP 0.1uF	10% 16V
		< IC >		C117	1-100-916-11	CERAMIC CHIP 0.1uF	10% 16V
IC102	6-712613-01	IC SI-3010KMH-TLS		C118	1-100-916-11	CERAMIC CHIP 0.1uF	10% 16V
IC103	6-712613-01	IC SI-3010KMH-TLS		C119	1-112-717-91	CERAMIC CHIP 1uF	10% 6.3V
		< COIL >		C120	1-100-905-11	CERAMIC CHIP 0.001uF	10% 50V
L101	1-457-223-11	COMMON MODE CHOKE COIL		C122	1-100-905-11	CERAMIC CHIP 0.001uF	10% 50V
L102	1-457-223-11	COMMON MODE CHOKE COIL		C125	1-100-905-11	CERAMIC CHIP 0.001uF	10% 50V
L103	1-414-843-21	INDUCTOR 18nH		C128	1-100-905-11	CERAMIC CHIP 0.001uF	10% 50V
L104	1-414-843-21	INDUCTOR 18nH		C130	1-100-905-11	CERAMIC CHIP 0.001uF	10% 50V
		< RESISTOR >		C132	1-100-905-11	CERAMIC CHIP 0.001uF	10% 50V
R108	1-208-683-11	METAL CHIP 1K	1/16W	C133	1-100-905-11	CERAMIC CHIP 0.001uF	10% 50V
R109	1-208-933-11	METAL CHIP 82K	0.5% 1/16W	C134	1-100-905-11	CERAMIC CHIP 0.001uF	10% 50V
R110	1-208-911-11	METAL CHIP 10K	0.5% 1/16W	C135	1-100-909-11	CERAMIC CHIP 10uF	10% 6.3V
R111	1-208-911-11	METAL CHIP 10K	0.5% 1/16W	C138	1-100-916-11	CERAMIC CHIP 0.1uF	10% 16V
R112	1-208-911-11	METAL CHIP 10K	0.5% 1/16W	C137	1-112-717-91	CERAMIC CHIP 1uF	10% 6.3V
R118	1-218-977-11	METAL CHIP 100K	5% 1/16W	C139	1-100-905-11	CERAMIC CHIP 0.001uF	10% 50V
R119	1-208-709-11	METAL CHIP 12K	0.5% 1/16W	C141	1-100-905-11	CERAMIC CHIP 0.001uF	10% 50V
R120	1-218-989-11	SHORT CHIP 1M	5% 1/16W	C144	1-100-905-11	CERAMIC CHIP 0.001uF	10% 50V
R123	1-218-989-11	SHORT CHIP 0		C145	1-100-905-11	CERAMIC CHIP 0.001uF	10% 50V
R124	1-218-990-81	SHORT CHIP 0		C146	1-100-905-11	CERAMIC CHIP 0.001uF	10% 50V
R125	1-218-977-11	METAL CHIP 100K	5% 1/16W	C147	1-100-905-11	CERAMIC CHIP 0.001uF	10% 50V
R128	1-218-977-11	METAL CHIP 100K	5% 1/16W	C149	1-100-905-11	CERAMIC CHIP 0.001uF	10% 50V
R128	1-218-977-11	METAL CHIP 100K	5% 1/16W	C152	1-100-905-11	CERAMIC CHIP 0.001uF	10% 50V
R128	1-218-977-11	METAL CHIP 100K	5% 1/16W	C153	1-100-909-11	CERAMIC CHIP 10uF	10% 6.3V
R130	1-218-977-11	METAL CHIP 100K	5% 1/16W	C154	1-100-916-11	CERAMIC CHIP 0.1uF	10% 16V
R145	1-208-933-11	METAL CHIP 82K	0.5% 1/16W	C155	1-100-567-81	CERAMIC CHIP 0.01uF	10% 25V
R146	1-208-715-11	METAL CHIP 22K	0.5% 1/16W	C157	1-100-567-81	CERAMIC CHIP 0.01uF	10% 25V
R147	1-216-864-11	SHORT CHIP 0		C158	1-100-567-81	CERAMIC CHIP 0.01uF	10% 25V
R150	1-208-884-81	METAL CHIP 750	0.5% 1/16W	C159	1-100-567-81	CERAMIC CHIP 0.01uF	10% 25V
R159	1-216-833-11	METAL CHIP 10K	5% 1/10W	C161	1-100-567-81	CERAMIC CHIP 0.01uF	10% 25V
R160	1-216-833-11	METAL CHIP 10K	5% 1/10W	C163	1-112-717-91	CERAMIC CHIP 1uF	10% 6.3V
R162	1-218-990-81	SHORT CHIP 0		C165	1-112-717-91	CERAMIC CHIP 1uF	10% 6.3V
		< VIBRATOR >		C168	1-112-717-91	CERAMIC CHIP 1uF	10% 6.3V
				C168	1-112-717-91	CERAMIC CHIP 1uF	10% 6.3V
				C170	1-100-567-81	CERAMIC CHIP 0.01uF	10% 25V
X101	1-813-082-11	VIBRATOR CRYSTAL (24MHz)		C174	1-100-916-11	CERAMIC CHIP 0.1uF	10% 16V
				C202	1-100-916-11	CERAMIC CHIP 0.1uF	10% 16V
				C203	1-100-916-11	CERAMIC CHIP 0.1uF	10% 16V
				C204	1-100-916-11	CERAMIC CHIP 0.1uF	10% 16V
				C205	1-100-916-11	CERAMIC CHIP 0.1uF	10% 16V
				C206	1-100-916-11	CERAMIC CHIP 0.1uF	10% 16V
				C207	1-100-905-11	CERAMIC CHIP 0.001uF	10% 50V
				C208	1-100-905-11	CERAMIC CHIP 0.001uF	10% 50V
				C211	1-100-905-11	CERAMIC CHIP 0.001uF	10% 50V
				C212	1-100-905-11	CERAMIC CHIP 0.001uF	10% 50V
				C213	1-100-905-11	CERAMIC CHIP 0.001uF	10% 50V
				C214	1-100-905-11	CERAMIC CHIP 0.001uF	10% 50V
				C215	1-100-905-11	CERAMIC CHIP 0.001uF	10% 50V
				C216	1-100-905-11	CERAMIC CHIP 0.001uF	10% 50V
				C222	1-112-717-91	CERAMIC CHIP 1uF	10% 6.3V
				C223	1-100-905-11	CERAMIC CHIP 0.001uF	10% 50V
				C225	1-100-905-11	CERAMIC CHIP 0.001uF	10% 50V
				C227	1-100-905-11	CERAMIC CHIP 0.001uF	10% 50V
				C231	1-100-905-11	CERAMIC CHIP 0.001uF	10% 50V
				C232	1-100-905-11	CERAMIC CHIP 0.001uF	10% 50V
				C234	1-100-905-11	CERAMIC CHIP 0.001uF	10% 50V
				C235	1-100-905-11	CERAMIC CHIP 0.001uF	10% 50V

① A-1732-097-A MB-128 BOARD COMPLETE (US, CND)
 ② A-1732-098-A MB-128 BOARD COMPLETE (EC1, EC2, CEK)
 ③ A-1732-099-A MB-128 BOARD COMPLETE (AUS)

 (Ref. No. 10.000 Series)

< CAPACTOR >

C102	1-100-916-11	CERAMIC CHIP	0.1uF	10%	16V
C103	1-100-905-11	CERAMIC CHIP	0.001uF	10%	50V
C106	1-100-905-11	CERAMIC CHIP	0.001uF	10%	50V
C108	1-100-905-11	CERAMIC CHIP	0.001uF	10%	50V
C107	1-100-905-11	CERAMIC CHIP	0.001uF	10%	50V
C109	1-100-905-11	CERAMIC CHIP	0.001uF	10%	50V
C110	1-100-905-11	CERAMIC CHIP	0.001uF	10%	50V

The components identified by mark
 ① contain confidential information.
 Strictly follow the instructions
 whenever the components are
 repaired and/or replaced.

Les composants identifiés par la
 marque ① contiennent des infor-
 mations confidentielles.
 Suivre scrupuleusement les instru-
 ctions chaque fois qu'un composant
 est remplacé et / ou réparé.

Ref. No.	Part No.	Description	Remark	Ref. No.	Part No.	Description	Remark
C237	1-100-905-11	CERAMIC CHIP	50V	C396	1-164-926-11	CERAMIC CHIP	880PF 10%
C238	1-100-909-11	CERAMIC CHIP	6.3V	C397	1-112-775-11	CERAMIC CHIP	0.0022UF 10%
C239	1-100-916-11	CERAMIC CHIP	16V	C398	1-164-936-11	CERAMIC CHIP	880PF 10%
C240	1-112-777-91	CERAMIC CHIP	6.3V	C399	1-112-775-11	CERAMIC CHIP	0.0022UF 10%
C241	1-100-905-11	CERAMIC CHIP	50V	C402	1-100-916-11	CERAMIC CHIP	0.1UF 10%
C245	1-100-905-11	CERAMIC CHIP	50V	C403	1-100-916-11	CERAMIC CHIP	0.1UF 10%
C246	1-100-905-11	CERAMIC CHIP	50V	C404	1-100-916-11	CERAMIC CHIP	0.1UF 10%
C247	1-100-905-11	CERAMIC CHIP	50V	C405	1-100-916-11	CERAMIC CHIP	0.1UF 10%
C248	1-100-905-11	CERAMIC CHIP	50V	C406	1-100-916-11	CERAMIC CHIP	0.1UF 10%
C249	1-100-905-11	CERAMIC CHIP	50V	C407	1-100-916-11	CERAMIC CHIP	0.1UF 10%
C251	1-100-905-11	CERAMIC CHIP	50V	C408	1-100-916-11	CERAMIC CHIP	0.1UF 10%
C255	1-100-905-11	CERAMIC CHIP	50V	C409	1-100-916-11	CERAMIC CHIP	0.1UF 10%
C266	1-100-909-11	CERAMIC CHIP	6.3V	C410	1-100-916-11	CERAMIC CHIP	0.1UF 10%
C257	1-100-916-11	CERAMIC CHIP	16V	C411	1-164-947-11	CERAMIC CHIP	7PF 0.5PF
C258	1-112-777-91	CERAMIC CHIP	25V	C413	1-164-947-11	CERAMIC CHIP	7PF 0.5PF
C261	1-100-567-81	CERAMIC CHIP	25V	C414	1-100-916-11	CERAMIC CHIP	0.1UF 10%
C262	1-100-567-81	CERAMIC CHIP	25V	C415	1-100-916-11	CERAMIC CHIP	0.1UF 10%
C263	1-100-567-81	CERAMIC CHIP	25V	C416	1-100-916-11	CERAMIC CHIP	0.1UF 10%
C266	1-112-777-91	CERAMIC CHIP	6.3V	C417	1-100-916-11	CERAMIC CHIP	0.1UF 10%
C267	1-112-777-91	CERAMIC CHIP	6.3V	C418	1-100-916-11	CERAMIC CHIP	0.1UF 10%
C268	1-112-777-91	CERAMIC CHIP	6.3V	C419	1-100-916-11	CERAMIC CHIP	0.1UF 10%
C270	1-112-777-91	CERAMIC CHIP	6.3V	C420	1-100-916-11	CERAMIC CHIP	0.1UF 10%
C276	1-100-567-81	CERAMIC CHIP	25V	C421	1-100-916-11	CERAMIC CHIP	0.1UF 10%
C277	1-100-567-81	CERAMIC CHIP	25V	C422	1-100-916-11	CERAMIC CHIP	0.1UF 10%
C278	1-100-916-11	CERAMIC CHIP	16V	C423	1-100-916-11	CERAMIC CHIP	0.1UF 10%
C281	1-100-909-11	CERAMIC CHIP	6.3V	C424	1-100-916-11	CERAMIC CHIP	0.1UF 10%
C282	1-100-909-11	CERAMIC CHIP	6.3V	C425	1-100-916-11	CERAMIC CHIP	0.1UF 10%
C283	1-100-909-11	CERAMIC CHIP	6.3V	C427	1-100-916-11	CERAMIC CHIP	0.1UF 10%
C285	1-100-916-11	CERAMIC CHIP	16V	C428	1-100-916-11	CERAMIC CHIP	0.1UF 10%
C286	1-100-916-11	CERAMIC CHIP	16V	C429	1-100-916-11	CERAMIC CHIP	0.1UF 10%
C287	1-100-916-11	CERAMIC CHIP	16V	C430	1-100-916-11	CERAMIC CHIP	0.1UF 10%
C290	1-100-909-11	CERAMIC CHIP	6.3V	C431	1-100-916-11	CERAMIC CHIP	0.1UF 10%
C302	1-100-909-11	CERAMIC CHIP	6.3V	C432	1-100-916-11	CERAMIC CHIP	0.1UF 10%
C303	1-100-916-11	CERAMIC CHIP	10%	C433	1-100-916-11	CERAMIC CHIP	0.1UF 10%
C304	1-100-672-11	CERAMIC CHIP	16V	C434	1-100-916-11	CERAMIC CHIP	0.1UF 10%
C305	1-100-909-11	CERAMIC CHIP	6.3V	C435	1-100-916-11	CERAMIC CHIP	0.1UF 10%
C306	1-100-909-11	CERAMIC CHIP	6.3V	C436	1-100-916-11	CERAMIC CHIP	0.1UF 10%
C313	1-15-467-11	CERAMIC CHIP	10V	C437	1-100-916-11	CERAMIC CHIP	0.1UF 10%
C315	1-100-567-81	CERAMIC CHIP	25V	C440	1-100-909-11	CERAMIC CHIP	10UF 10%
C316	1-115-467-11	CERAMIC CHIP	10V	C441	1-100-909-11	CERAMIC CHIP	10UF 10%
C328	1-112-298-91	CERAMIC CHIP	16V	C442	1-100-916-11	CERAMIC CHIP	0.1UF 10%
C329	1-112-300-91	CERAMIC CHIP	10V	C443	1-100-916-11	CERAMIC CHIP	0.1UF 10%
C331	1-112-298-91	CERAMIC CHIP	16V	C437	1-100-916-11	CERAMIC CHIP	0.1UF 10%
C332	1-112-300-91	CERAMIC CHIP	10V	C513	1-100-916-11	CERAMIC CHIP	0.1UF 10%
C336	1-135-960-91	CERAMIC CHIP	25V	C441	1-100-909-11	CERAMIC CHIP	10UF 10%
C337	1-100-567-81	CERAMIC CHIP	25V	C442	1-100-916-11	CERAMIC CHIP	0.1UF 10%
C338	1-107-819-11	CERAMIC CHIP	16V	C443	1-100-916-11	CERAMIC CHIP	0.1UF 10%
C339	1-112-298-91	CERAMIC CHIP	16V	C511	1-100-916-11	CERAMIC CHIP	0.1UF 10%
C343	1-100-916-11	CERAMIC CHIP	16V	C513	1-100-916-11	CERAMIC CHIP	0.1UF 10%
C344	1-112-300-91	CERAMIC CHIP	10V	C514	1-100-916-11	CERAMIC CHIP	0.1UF 10%
C345	1-100-159-91	CERAMIC CHIP	6.3V	C517	1-100-967-81	CERAMIC CHIP	0.01UF 10%
C346	1-100-159-91	CERAMIC CHIP	6.3V	C602	1-165-884-11	CERAMIC CHIP	22UF 10%
C347	1-135-960-91	CERAMIC CHIP	25V	C603	1-100-905-11	CERAMIC CHIP	0.1UF 10%
C349	1-100-916-11	CERAMIC CHIP	16V	C604	1-100-905-11	CERAMIC CHIP	0.001UF 10%
C352	1-112-298-91	CERAMIC CHIP	16V	C605	1-165-884-11	CERAMIC CHIP	22UF 10%
C355	1-112-300-91	CERAMIC CHIP	10V	C606	1-100-916-11	CERAMIC CHIP	0.1UF 10%
C357	1-100-916-11	CERAMIC CHIP	16V	C607	1-164-948-11	CERAMIC CHIP	8PF 0.5PF
C358	1-100-916-11	CERAMIC CHIP	16V	C608	1-164-948-11	CERAMIC CHIP	8PF 0.5PF
C361	1-114-532-21	ELECT CHIP	4V	C609	1-112-298-91	CERAMIC CHIP	1UF 10%
C362	1-114-532-21	ELECT CHIP	4V	C610	1-128-993-21	ELECT CHIP	22UF 10%
C366	1-100-159-91	CERAMIC CHIP	6.3V	C613	1-128-993-91	CERAMIC CHIP	1UF 10%
C368	1-112-776-11	CERAMIC CHIP	50V	C617	1-128-394-11	ELECT CHIP	22UF 20%
C376	1-100-159-91	CERAMIC CHIP	6.3V	C618	1-100-966-91	CERAMIC CHIP	10UF 10%
C379	1-112-298-91	CERAMIC CHIP	16V	C619	1-100-966-91	CERAMIC CHIP	10UF 20%
C392	1-100-916-11	CERAMIC CHIP	16V	C624	1-100-567-81	CERAMIC CHIP	0.01UF 10%
C395	1-100-916-11	CERAMIC CHIP	16V	C704	1-100-567-81	CERAMIC CHIP	0.01UF 10%

Ref. No.	Part No.	Description	Remark	Ref. No.	Part No.	Description	Remark
C712	1-100-916-11	CERAMIC CHIP	10%	C1262	1-100-905-11	CERAMIC CHIP	10%
C713	1-100-916-11	CERAMIC CHIP	10%	C1263	1-112-717-91	CERAMIC CHIP	10%
C722	1-100-916-11	CERAMIC CHIP	10%	C1264	1-112-717-91	CERAMIC CHIP	10%
C738	1-100-567-91	CERAMIC CHIP	10%	C1265	1-117-681-11	ELECT CHIP	20%
C762	1-100-567-91	CERAMIC CHIP	10%	C1266	1-100-905-11	CERAMIC CHIP	10%
C801	1-100-916-11	CERAMIC CHIP	10%	C1267	1-100-905-11	CERAMIC CHIP	10%
C802	1-100-916-11	CERAMIC CHIP	10%	C1268	1-112-717-91	CERAMIC CHIP	10%
C803	1-100-916-11	CERAMIC CHIP	10%	C1271	1-100-905-11	CERAMIC CHIP	10%
C806	1-100-916-11	CERAMIC CHIP	10%	C1272	1-117-681-11	ELECT CHIP	20%
C808	1-100-916-11	CERAMIC CHIP	10%	C1273	1-100-905-11	CERAMIC CHIP	10%
C808	1-117-681-11	ELECT CHIP	20%	C1279	1-100-905-11	CERAMIC CHIP	10%
C810	1-100-916-11	CERAMIC CHIP	10%	C1281	1-112-746-11	CERAMIC CHIP	10%
C811	1-100-916-11	CERAMIC CHIP	10%	C1282	1-112-746-11	CERAMIC CHIP	10%
C812	1-100-916-11	CERAMIC CHIP	10%	C1286	1-100-909-11	CERAMIC CHIP	10%
C815	1-112-298-91	CERAMIC CHIP	10%	C1287	1-165-884-11	CERAMIC CHIP	220F
C816	1-100-381-11	ELECT CHIP	20%	C1288	1-112-746-11	CERAMIC CHIP	47UF
C818	1-100-567-91	CERAMIC CHIP	10%	C1289	1-164-889-11	CERAMIC CHIP	9PF
C819	1-100-909-11	CERAMIC CHIP	10%	C1291	1-164-880-11	CERAMIC CHIP	10PF
C820	1-112-717-91	CERAMIC CHIP	10%	C1292	1-164-880-11	CERAMIC CHIP	10PF
C821	1-100-916-11	CERAMIC CHIP	10%	C1293	1-100-567-91	CERAMIC CHIP	0.01UF
C823	1-117-681-11	ELECT CHIP	20%	C1295	1-100-567-91	CERAMIC CHIP	0.01UF
C824	1-112-717-91	CERAMIC CHIP	10%	C1296	1-164-880-11	CERAMIC CHIP	10PF
C826	1-100-916-11	CERAMIC CHIP	10%	C1297	1-164-880-11	CERAMIC CHIP	10PF
C829	1-100-567-91	CERAMIC CHIP	10%	C1310	1-100-905-11	CERAMIC CHIP	0.001UF
C830	1-164-880-11	CERAMIC CHIP	10%	C1311	1-100-567-91	CERAMIC CHIP	0.01UF
C1101	1-107-819-11	CERAMIC CHIP	0.022F	C1303	1-100-909-11	CERAMIC CHIP	10PF
C1106	1-100-567-91	CERAMIC CHIP	0.01UF	C1304	1-164-880-11	CERAMIC CHIP	10PF
C1107	1-100-567-91	CERAMIC CHIP	0.01UF	C1305	1-100-905-11	CERAMIC CHIP	0.001UF
C1108	1-100-567-91	CERAMIC CHIP	0.01UF	C1310	1-100-905-11	CERAMIC CHIP	0.001UF
C1109	1-100-567-91	CERAMIC CHIP	0.01UF	C1311	1-100-567-91	CERAMIC CHIP	0.01UF
C1110	1-112-746-11	CERAMIC CHIP	4.7UF	C1314	1-100-567-91	CERAMIC CHIP	0.01UF
C1111	1-100-567-91	CERAMIC CHIP	0.01UF	C1315	1-112-746-11	CERAMIC CHIP	4.7UF
C1112	1-100-567-91	CERAMIC CHIP	0.01UF	C1316	1-100-909-11	CERAMIC CHIP	10UF
C1113	1-100-567-91	CERAMIC CHIP	0.01UF	C1321	1-100-567-91	CERAMIC CHIP	0.01UF
C1114	1-112-746-11	CERAMIC CHIP	4.7UF	C1326	1-100-567-91	CERAMIC CHIP	0.01UF
C1115	1-100-916-11	CERAMIC CHIP	0.1UF	C1328	1-100-916-11	CERAMIC CHIP	0.1UF
C1116	1-100-567-91	CERAMIC CHIP	0.01UF	C1329	1-100-916-11	CERAMIC CHIP	0.1UF
C1117	1-100-567-91	CERAMIC CHIP	0.01UF	C1331	1-100-916-11	CERAMIC CHIP	0.1UF
C1209	1-100-916-11	CERAMIC CHIP	0.1UF	C1333	1-100-567-91	CERAMIC CHIP	0.01UF
C1210	1-100-916-11	CERAMIC CHIP	0.1UF	C1332	1-100-916-11	CERAMIC CHIP	0.1UF
C1215	1-128-993-21	ELECT CHIP	22UF	C1335	1-100-916-11	CERAMIC CHIP	0.1UF
C1222	1-100-905-11	CERAMIC CHIP	0.001UF	C1381	1-112-717-91	CERAMIC CHIP	10UF
C1223	1-100-916-11	CERAMIC CHIP	0.1UF	C1382	1-164-874-11	CERAMIC CHIP	100PF
C1224	1-100-905-11	CERAMIC CHIP	0.001UF	C1384	1-100-567-91	CERAMIC CHIP	0.01UF
C1231	1-100-916-11	CERAMIC CHIP	0.1UF	C1385	1-164-874-11	CERAMIC CHIP	100PF
C1233	1-128-993-21	ELECT CHIP	22UF	C1377	1-100-567-91	CERAMIC CHIP	0.01UF
C1245	1-100-916-11	CERAMIC CHIP	0.1UF	C1378	1-100-909-11	CERAMIC CHIP	10UF
C1252	1-100-567-91	CERAMIC CHIP	0.01UF	C1382	1-100-909-11	CERAMIC CHIP	10UF
C1257	1-164-874-11	CERAMIC CHIP	100PF	C1384	1-100-567-91	CERAMIC CHIP	0.01UF
C1258	1-164-874-11	CERAMIC CHIP	100PF	C1385	1-100-567-91	CERAMIC CHIP	0.01UF
C1259	1-112-717-91	CERAMIC CHIP	1UF	C1386	1-114-411-21	CERAMIC CHIP	0.33UF
C1261	1-100-905-11	CERAMIC CHIP	0.001UF	C1387	1-114-411-21	CERAMIC CHIP	0.33UF

Ref. No.	Part No.	Description	Remark
C1740	1-100-916-11	CERAMIC CHIP	10%
C1741	1-100-916-11	CERAMIC CHIP	16V 10%
C1743	1-100-916-11	CERAMIC CHIP	10V 50V 10V
< CONNECTOR >			
C1744	1-100-916-11	CERAMIC CHIP	16V
C1745	1-100-916-11	CERAMIC CHIP	16V
C1746	1-100-916-11	CERAMIC CHIP	16V
C1747	1-100-916-11	CERAMIC CHIP	16V
C1748	1-100-916-11	CERAMIC CHIP	16V
C1749	1-100-916-11	CERAMIC CHIP	16V
C1750	1-100-916-11	CERAMIC CHIP	10%
C1753	1-100-909-11	CERAMIC CHIP	10% 6.3V
C1755	1-100-567-81	CERAMIC CHIP	0.01uF 25V
C1756	1-100-909-11	CERAMIC CHIP	10% 6.3V
C1758	1-100-916-11	CERAMIC CHIP	10%
C1759	1-164-847-11	CERAMIC CHIP	7PF 0.5PF
C1760	1-100-012-11	ELECT CHIP	47uF 20%
C1761	1-164-847-11	CERAMIC CHIP	7PF 0.5PF
C1762	1-100-916-11	CERAMIC CHIP	0.1uF 50V
< DIODE >			
C4153	1-164-880-11	CERAMIC CHIP	10PF 50V
CA171	1-164-850-11	CERAMIC CHIP	10PF 0.5PF
CA173	1-164-850-11	CERAMIC CHIP	10PF 0.5PF
CA201	1-100-567-81	CERAMIC CHIP	0.01uF 25V
CA203	1-100-567-81	CERAMIC CHIP	0.01uF 25V
CA204	1-164-882-11	CERAMIC CHIP	220PF 16V
CA205	1-100-567-81	CERAMIC CHIP	0.01uF 10%
CA207	1-100-916-11	CERAMIC CHIP	0.1uF 16V
CA209	1-100-916-11	CERAMIC CHIP	0.1uF 10%
CA220	1-100-905-11	CERAMIC CHIP	0.001uF 50V
CA221	1-100-916-11	CERAMIC CHIP	0.1uF 10%
CA225	1-100-905-11	CERAMIC CHIP	0.001uF 10%
CA226	1-100-905-11	CERAMIC CHIP	0.001uF 10%
CA227	1-121-717-91	CERAMIC CHIP	1uF 10%
CA228	1-100-909-11	CERAMIC CHIP	10uF 10%
< FERRITE BEAD >			
FB101	1-400-794-21	EMI FERRITE (SMD) (1608)	16V
FB201	1-400-794-21	EMI FERRITE (SMD) (1608)	50V
FB301	1-400-794-21	EMI FERRITE (SMD) (1608)	50V
FB302	1-400-794-21	EMI FERRITE (SMD) (1608)	50V
FB303	1-400-794-21	EMI FERRITE (SMD) (1608)	50V
FB401	1-400-794-21	EMI FERRITE (SMD) (1608)	16V
FB801	1-400-794-21	EMI FERRITE (SMD) (1608)	16V
FB103	1-400-382-11	EMI FERRITE (SMD) (1608)	25V
FB1606	1-400-794-21	EMI FERRITE (SMD) (1608)	25V
FB1607	1-400-794-21	EMI FERRITE (SMD) (1608)	25V
FB1701	1-469-580-21	INDUCTOR, FERRITE BEAD (1005)	25V
< FERRITE BEAD >			
FB1102	1-400-382-11	EMI FERRITE (SMD) (1608)	25V
FB1103	1-400-382-11	EMI FERRITE (SMD) (1608)	25V
FB1606	1-400-794-21	EMI FERRITE (SMD) (1608)	25V
FB1607	1-400-794-21	EMI FERRITE (SMD) (1608)	25V
FB1701	1-469-580-21	INDUCTOR, FERRITE BEAD (1005)	25V
< FILTER >			
FL303	1-234-986-11	FILTER, EMI REMOVAL (1608SMD)	10%
FL304	1-234-939-21	FILTER, EMI REMOVAL (SMD)	10%
FL305	1-234-939-21	FILTER, EMI REMOVAL (SMD)	10%
FL307	1-234-986-11	FILTER, EMI REMOVAL (1608SMD)	10%
FL308	1-234-986-11	FILTER, EMI REMOVAL (1608SMD)	10%
FL1801	1-234-939-21	FILTER, EMI REMOVAL (SMD)	10%
FL1802	1-234-939-21	FILTER, EMI REMOVAL (SMD)	10%
FL1702	1-234-939-21	FILTER, EMI REMOVAL (SMD)	10%
FL1703	1-234-939-21	FILTER, EMI REMOVAL (SMD)	10%

Ref. No.	Part No.	Description	Remark
		< IC >	
IC101	6-714-343-01	IC MC-10121A1F1-207-TA1A	
IC102	6-713-838-01	IC EDE1116AEBG-8E-F-TR	
IC103	6-713-838-01	IC EDE1116AEBG-8E-F-TR	
IC202	6-713-838-01	IC EDE1116AEBG-8E-F-TR	
IC203	6-713-838-01	IC EDE1116AEBG-8E-F-TR	
IC301	6-711-237-01	IC N1M2878F-3-33 (TE2)	
IC304	6-705-337-01	IC TK11150CSQL-G	
IC601	6-712-613-01	IC S1-3010KM1LTS	
IC802	6-600-664-01	IC GP1FAN/51TKSF (DIGITAL OUT (OPTICAL))	
IC903	6-711-237-01	IC N1M2878F-3-33 (TE2)	
IC1001	6-712-663-11	IC LAN8700C-AEZG-CT1	
IC1351	6-713-929-01	IC BD36590HPV-TR	
IC1401	6-708-762-01	IC PQ200NNA1ZPH	
IC1403	6-808-722-01	IC R5F212AZSNA18FP	
IC1604	6-706-487-01	IC TC7SH08FU(TSR5OVJF)	
IC1605	6-711-049-01	IC S-1170B33UC-O/STFG	
IC1606	6-705-337-01	IC TK11150CSQL-G	
IC1607	6-705-337-01	IC TK11150CSQL-G	
IC1704	6-713-918-01	IC ADST-ENC-1020	
IC1705	6-712-039-01	IC MM1701CHBE	
IC1708	8-759-549-25	IC SNT4LV04APWR	
J801	1-784-432-11	JACK, PIN 1P (DIGITAL OUT (COAXIAL))	
		< JACK >	
		< COLL >	
L302	1-481-246-11	INDUCTOR 2.2uH	
L601	1-400-180-21	INDUCTOR EMI FERRITE (1608)	
L602	1-400-180-21	INDUCTOR EMI FERRITE (1608)	
L603	1-414-943-21	INDUCTOR 18uH	
L604	1-414-943-21	INDUCTOR 18uH	
L605	1-457-223-11	COMMON MODE CHOKE COIL	
L607	1-414-943-21	INDUCTOR 18uH	
L608	1-414-943-21	INDUCTOR 18uH	
L609	1-457-223-11	COMMON MODE CHOKE COIL	
L1287	1-400-789-21	INDUCTOR 2.2uH	
L1504	1-400-789-21	INDUCTOR 2.2uH	
L1601	1-457-374-21	COMMON MODE CHOKE COIL	
L1602	1-457-374-21	COMMON MODE CHOKE COIL	
L1603	1-457-374-21	COMMON MODE CHOKE COIL	
L1604	1-457-374-21	COMMON MODE CHOKE COIL	
		< FUSE >	
ΔPS301	1-523-095-31	FUSE 3.15A 32V	
ΔPS302	1-523-095-31	FUSE 3.15A 32V	
ΔPS304	1-523-094-31	FUSE 2A 50V	
ΔPS1501	1-523-093-31	FUSE 0.53A 50V	
		< TRANSISTOR >	
Q301	6-552-024-01	TRANSISTOR RRH070N03TB1	
Q302	6-550-663-01	TRANSISTOR R5S100N03FD5B	
Q303	6-552-024-01	TRANSISTOR RRH070N03TB1	
Q304	6-550-663-01	TRANSISTOR R5S100N03FD5B	
Q305	8-729-028-96	TRANSISTOR DTC114EUA1T106	
		< TRANSISTOR >	
		< RESISTOR >	
R103	1-208-663-11	METAL CHIP	
R104	1-208-663-11	METAL CHIP	
R108	1-218-943-11	METAL CHIP	
R109	1-218-943-11	METAL CHIP	
R110	1-218-943-11	METAL CHIP	
R111	1-218-943-11	METAL CHIP	
R115	1-218-929-11	METAL CHIP	
R116	1-218-929-11	METAL CHIP	
R117	1-218-929-11	METAL CHIP	
R118	1-218-929-11	METAL CHIP	
R121	1-218-944-81	METAL CHIP	
R123	1-208-663-11	METAL CHIP	
R124	1-208-663-11	METAL CHIP	
R125	1-218-944-81	METAL CHIP	
R127	1-208-663-11	METAL CHIP	
R128	1-208-663-11	METAL CHIP	
R203	1-208-663-11	METAL CHIP	
R204	1-208-663-11	METAL CHIP	
R207	1-208-663-11	METAL CHIP	
R208	1-208-663-11	METAL CHIP	
R210	1-218-943-11	METAL CHIP	
R211	1-218-943-11	METAL CHIP	
R212	1-218-943-11	METAL CHIP	
R213	1-218-943-11	METAL CHIP	
R217	1-218-929-11	METAL CHIP	
R218	1-218-929-11	METAL CHIP	
R219	1-218-929-11	METAL CHIP	
R220	1-218-929-11	METAL CHIP	
R223	1-218-944-81	METAL CHIP	
R225	1-208-663-11	METAL CHIP	
R226	1-208-663-11	METAL CHIP	
R227	1-218-944-81	METAL CHIP	
R229	1-208-663-11	METAL CHIP	
R230	1-208-663-11	METAL CHIP	
R301	1-218-953-11	METAL CHIP	
R303	1-218-953-11	METAL CHIP	
R304	1-218-953-11	METAL CHIP	
R305	1-218-953-11	METAL CHIP	
R309	1-218-953-11	METAL CHIP	
R312	1-218-973-11	METAL CHIP	
R314	1-218-953-11	METAL CHIP	
R315	1-208-667-11	METAL CHIP	
R316	1-208-667-11	METAL CHIP	
R317	1-208-717-11	METAL CHIP	
R318	1-208-909-11	METAL CHIP	

The components identified by mark Δ or dotted line with mark Δ are critical for safety.
Replace only with part number specified.

Les composants identifiés par une marque Δ sont critiques pour la sécurité.
Ne les remplacer que par une pièce portant le numéro spécifié.

Ref. No.	Part No.	Description	Remark	Ref. No.	Part No.	Description	Remark
R319	1-208-939-11	METAL CHIP	150K	R609	1-218-982-11	METAL CHIP	820
R320	1-218-947-11	METAL CHIP	330	R610	1-218-987-11	METAL CHIP	15K
R321	1-218-973-11	METAL CHIP	47K	R611	1-218-967-11	METAL CHIP	15K
R322	1-208-939-11	METAL CHIP	150K	R615	1-218-965-11	METAL CHIP	10K
R323	1-208-703-11	METAL CHIP	6.8K	R616	1-208-691-11	METAL CHIP	2.2K
R324	1-218-929-11	METAL CHIP	10	R617	1-208-721-11	METAL CHIP	39K
R325	1-208-683-11	METAL CHIP	4K	R618	1-208-971-11	METAL CHIP	10K
R331	1-208-911-11	METAL CHIP	10K	R621	1-218-990-81	SHORT CHIP	0
R334	1-208-911-11	METAL CHIP	10K	R630	1-218-833-11	METAL CHIP	10K
R338	1-218-953-11	METAL CHIP	4K	R631	1-218-967-11	METAL CHIP	15K
R339	1-218-970-11	METAL CHIP	27K	R632	1-218-967-11	METAL CHIP	15K
R346	1-218-994-11	METAL CHIP	330	R635	1-218-994-11	METAL CHIP	100
R349	1-208-695-11	METAL CHIP	3.3K	R637	1-218-990-81	SHORT CHIP	0
R352	1-218-953-11	METAL CHIP	4K	R638	1-218-990-81	SHORT CHIP	0
R353	1-208-671-11	METAL CHIP	330	R711	1-218-965-11	METAL CHIP	5.6K
R355	1-208-911-11	METAL CHIP	10K	R712	1-218-944-11	METAL CHIP	560
R356	1-216-815-11	METAL CHIP	330	R733	1-216-864-11	SHORT CHIP	0
R357	1-218-953-11	METAL CHIP	4K	R801	1-218-990-81	SHORT CHIP	0
R363	1-216-815-11	METAL CHIP	330	R802	1-218-990-81	SHORT CHIP	0
R364	1-216-815-11	METAL CHIP	330	R803	1-218-990-81	SHORT CHIP	0
R365	1-218-953-11	METAL CHIP	4K	R808	1-218-990-81	SHORT CHIP	0
R369	1-218-965-11	METAL CHIP	10K	R809	1-218-990-81	SHORT CHIP	0
R370	1-218-953-11	METAL CHIP	4K	R810	1-218-990-81	SHORT CHIP	0
R371	1-218-951-11	METAL CHIP	680	R812	1-218-935-11	METAL CHIP	33
R372	1-218-977-11	METAL CHIP	100K	R813	1-208-663-11	METAL CHIP	150
R373	1-218-977-11	METAL CHIP	100K	R814	1-208-663-11	METAL CHIP	150
R374	1-218-951-11	METAL CHIP	680	R815	1-208-883-81	METAL CHIP	680
R381	1-400-794-21	EMI FERRITE (SMD) (1608)		R816	1-208-663-11	METAL CHIP	150
R382	1-400-794-21	EMI FERRITE (SMD) (1608)		R817	1-208-663-11	METAL CHIP	150
R405	1-218-947-11	METAL CHIP	330	R818	1-208-663-11	METAL CHIP	150
R407	1-218-933-11	METAL CHIP	22	R819	1-208-675-11	METAL CHIP	470
R409	1-218-945-11	METAL CHIP	220	R820	1-218-965-11	METAL CHIP	10K
R506	1-218-965-11	METAL CHIP	10K	R821	1-218-953-11	METAL CHIP	4K
R510	1-218-965-11	METAL CHIP	10K	R824	1-218-953-11	METAL CHIP	4K
R512	1-218-965-11	METAL CHIP	10K	R825	1-218-953-11	METAL CHIP	1K
R514	1-218-965-11	METAL CHIP	10K	R826	1-218-947-11	METAL CHIP	330
R515	1-218-965-11	METAL CHIP	10K	R827	1-218-945-11	METAL CHIP	220
R517	1-218-935-11	METAL CHIP	3.3K	R830	1-218-939-11	METAL CHIP	88
R519	1-218-959-11	METAL CHIP	3.3K	R831	1-218-933-11	METAL CHIP	330
R523	1-218-941-81	METAL CHIP	100	R834	1-218-965-11	METAL CHIP	10K
R525	1-218-965-11	METAL CHIP	10K	R835	1-208-691-11	METAL CHIP	2.2K
R526	1-218-965-11	METAL CHIP	10K	R836	1-208-631-11	METAL CHIP	2.2K
R527	1-218-965-11	METAL CHIP	10K	R837	1-208-695-11	METAL CHIP	3.3K
R550	1-218-965-11	METAL CHIP	10K	R838	1-208-695-11	METAL CHIP	3.3K
R551	1-218-965-11	METAL CHIP	10K	R839	1-218-947-11	METAL CHIP	330
R556	1-218-965-11	METAL CHIP	10K	R842	1-218-935-11	METAL CHIP	33
R558	1-218-965-11	METAL CHIP	10K	R843	1-218-947-11	METAL CHIP	330
R559	1-218-965-11	METAL CHIP	10K	R847	1-218-933-11	METAL CHIP	30
R560	1-218-965-11	METAL CHIP	10K	R849	1-218-933-11	METAL CHIP	22
R561	1-218-965-11	METAL CHIP	10K	R855	1-218-933-11	METAL CHIP	47
R563	1-218-965-11	METAL CHIP	10K	R856	1-218-933-11	METAL CHIP	22
R565	1-218-965-11	METAL CHIP	10K	R861	1-218-933-11	METAL CHIP	22
R566	1-218-965-11	METAL CHIP	10K	R862	1-218-965-11	METAL CHIP	22
R601	1-218-936-11	METAL CHIP	39	R866	1-218-933-11	METAL CHIP	22
R602	1-218-936-11	METAL CHIP	39	R868	1-218-933-11	METAL CHIP	22
R603	1-208-688-11	METAL CHIP	1.6K	R871	1-218-933-11	METAL CHIP	22
R604	1-218-936-11	METAL CHIP	39				
R605	1-218-936-11	METAL CHIP	10K				
R606	1-218-965-11	METAL CHIP	10K				
R607	1-218-965-11	METAL CHIP	10K				

Ref. No.	Part No.	Description	Remark	Ref. No.	Part No.	Description	Remark				
R872	1-218-933-11	METAL CHIP	22	5%	1/16W	R1119	1-218-941-81	METAL CHIP	100	5%	1/16V
R875	1-218-990-81	SHORT CHIP	0			R1123	1-218-965-11	METAL CHIP	10K	5%	1/16V
R880	1-218-933-11	METAL CHIP	22	5%	1/16W	R1124	1-218-990-81	SHORT CHIP	0		
R881	1-218-933-11	METAL CHIP	22	5%	1/16W	R1128	1-218-990-81	SHORT CHIP	0		
R882	1-218-933-11	METAL CHIP	22	5%	1/16W	R1133	1-218-965-11	METAL CHIP	10K	5%	1/16V
R883	1-218-933-11	METAL CHIP	22	5%	1/16W	R1134	1-218-965-11	METAL CHIP	10K	5%	1/16V
R884	1-218-933-11	METAL CHIP	22	5%	1/16W	R1135	1-218-965-11	METAL CHIP	10K	5%	1/16V
R889	1-216-864-11	SHORT CHIP	0			R1137	1-218-937-11	METAL CHIP	47	5%	1/16V
R890	1-218-990-81	SHORT CHIP	0			R1138	1-218-957-11	METAL CHIP	47	5%	1/16V
R891	1-218-990-81	SHORT CHIP	0			R1139	1-218-937-11	METAL CHIP	47	5%	1/16V
R892	1-218-990-81	SHORT CHIP	0			R1141	1-218-965-11	METAL CHIP	15K	5%	1/16V
R893	1-218-990-81	SHORT CHIP	0			R1142	1-218-965-11	METAL CHIP	15K	5%	1/16V
R894	1-218-990-81	SHORT CHIP	0			R1208	1-218-965-11	METAL CHIP	10K	5%	1/16V
R895	1-218-990-81	SHORT CHIP	0			R1209	1-218-957-11	METAL CHIP	22K	5%	1/16V
R896	1-218-990-81	SHORT CHIP	0			R1210	1-218-957-11	METAL CHIP	22K	5%	1/16V
R899	1-218-965-11	SHORT CHIP	0			R1211	1-218-965-11	METAL CHIP	1K	5%	1/16V
R901	1-218-965-11	SHORT CHIP	0			R1212	1-218-965-11	METAL CHIP	10K	5%	1/16V
R902	1-218-965-11	SHORT CHIP	0			R1223	1-218-965-11	METAL CHIP	10K	5%	1/16V
R903	1-218-965-11	SHORT CHIP	0			R1231	1-218-965-11	METAL CHIP	10K	5%	1/16V
R906	1-218-933-11	METAL CHIP	22	5%	1/16W	R1234	1-218-963-11	METAL CHIP	1K	5%	1/16V
R927	1-218-957-11	METAL CHIP	2.2K	5%	1/16W	R1235	1-218-963-11	METAL CHIP	1K	5%	1/16V
R928	1-218-933-11	METAL CHIP	22	5%	1/16W	R1236	1-218-963-11	METAL CHIP	1K	5%	1/16V
R930	1-218-965-11	METAL CHIP	10K	5%	1/16W	R1237	1-218-963-11	METAL CHIP	1K	5%	1/16V
R934	1-218-933-11	METAL CHIP	22	5%	1/16W	R1268	1-218-929-11	METAL CHIP	10	5%	1/16V
R935	1-218-933-11	METAL CHIP	22	5%	1/16W	R1269	1-218-933-11	METAL CHIP	22	5%	1/16V
R936	1-218-965-11	SHORT CHIP	0			R1281	1-218-965-11	METAL CHIP	10K	5%	1/16V
R937	1-218-933-11	METAL CHIP	22	5%	1/16W	R1283	1-218-965-11	METAL CHIP	10K	5%	1/16V
R938	1-218-965-11	METAL CHIP	10K	5%	1/16W	R1271	1-216-825-11	METAL CHIP	2.2K	5%	1/10V
R940	1-218-965-11	METAL CHIP	10K	5%	1/16W	R1272	1-216-825-11	METAL CHIP	2.2K	5%	1/10V
R941	1-218-965-11	METAL CHIP	10K	5%	1/16W	R1284	1-218-963-11	METAL CHIP	1K	5%	1/16V
R942	1-218-965-11	METAL CHIP	10K	5%	1/16W	R1287	1-208-941-11	METAL CHIP	180K	0.5%	1/16V
R943	1-218-929-11	METAL CHIP	10	5%	1/16W	R1289	1-218-978-11	METAL CHIP	120K	5%	1/16V
R944	1-218-929-11	METAL CHIP	10	5%	1/16W	R1301	1-218-970-11	METAL CHIP	10K	0.5%	1/16V
R945	1-218-929-11	METAL CHIP	10	5%	1/16W	R1302	1-208-711-11	METAL CHIP	15K	0.5%	1/16V
R946	1-218-929-11	METAL CHIP	10	5%	1/16W	R1303	1-218-961-11	METAL CHIP	47K	5%	1/16V
R948	1-218-965-11	METAL CHIP	10K	5%	1/16W	R1305	1-218-929-11	METAL CHIP	10	5%	1/16V
R953	1-218-941-81	METAL CHIP	100	5%	1/16W	R1308	1-208-911-11	METAL CHIP	10K	0.5%	1/16V
R955	1-218-969-11	METAL CHIP	3.3K	5%	1/16W	R1309	1-218-990-81	SHORT CHIP	0		
R956	1-218-969-11	METAL CHIP	3.3K	5%	1/16W	R1310	1-218-969-11	METAL CHIP	2.2K	5%	1/16V
R957	1-218-963-11	METAL CHIP	1K	5%	1/16W	R1311	1-218-961-11	METAL CHIP	47K	5%	1/16V
R959	1-218-963-11	METAL CHIP	1K	5%	1/16W	R1335	1-218-963-11	METAL CHIP	1K	5%	1/16V
R960	1-218-965-11	METAL CHIP	10K	5%	1/16W	R1334	1-208-943-11	METAL CHIP	220K	0.5%	1/16V
R962	1-218-933-11	METAL CHIP	22	5%	1/16W	R1335	1-218-970-11	METAL CHIP	27K	5%	1/16V
R963	1-218-933-11	METAL CHIP	22	5%	1/16W	R1336	1-218-963-11	METAL CHIP	1K	5%	1/16V
R977	1-218-965-11	METAL CHIP	10K	5%	1/16W	R1338	1-208-931-11	METAL CHIP	68K	0.5%	1/16V
R978	1-218-965-11	METAL CHIP	10K	5%	1/16W	R1339	1-208-939-11	METAL CHIP	150K	0.5%	1/16V
R990	1-218-990-81	SHORT CHIP	0			R1362	1-208-702-11	METAL CHIP	6.2K	0.5%	1/16V
R991	1-218-933-11	METAL CHIP	22	5%	1/16W	R1402	1-208-699-11	METAL CHIP	4.7K	0.5%	1/16V
R992	1-218-933-11	METAL CHIP	22	5%	1/16W	R1403	1-208-698-11	METAL CHIP	1.5K	0.5%	1/16V
R993	1-218-935-11	METAL CHIP	33	5%	1/16W	R1404	1-208-677-11	METAL CHIP	560	0.5%	1/16V
R994	1-218-935-11	METAL CHIP	33	5%	1/16W	R1405	1-208-886-81	METAL CHIP	910	0.5%	1/16V
R995	1-218-935-11	METAL CHIP	33	5%	1/16W	R1406	1-218-970-11	METAL CHIP	27K	5%	1/16V
R996	1-218-935-11	METAL CHIP	33	5%	1/16W	R1407	1-218-961-11	METAL CHIP	4.7K	5%	1/16V
R1101	1-218-929-11	METAL CHIP	10	5%	1/16W	R1408	1-218-981-81	METAL CHIP	220K	5%	1/16V
R1102	1-208-692-11	METAL CHIP	2.4K	0.5%	1/16W	R1409	1-218-969-11	METAL CHIP	22K	5%	1/16V
R1104	1-208-911-11	METAL CHIP	10K	0.5%	1/16W	R1410	1-218-963-11	METAL CHIP	1K	5%	1/16V
R1108	1-218-965-11	METAL CHIP	10K	5%	1/16W	R1411	1-218-990-81	SHORT CHIP	0		
R1110	1-218-965-11	METAL CHIP	10K	5%	1/16W	R1412	1-218-941-81	METAL CHIP	100	5%	1/16V
R1113	1-218-965-11	METAL CHIP	10K	5%	1/16W	R1413	1-218-961-81	METAL CHIP	100	5%	1/16V
R1118	1-218-965-11	METAL CHIP	10K	5%	1/16W	R1414	1-218-941-81	METAL CHIP	100	5%	1/16V

Ref. No.	Part No.	Description	Remark	Ref. No.	Part No.	Description	Remark
R1415	1-218-990-81	SHORT CHIP	0	R1531	1-218-935-11	METAL CHIP	33
R1416	1-218-990-81	SHORT CHIP	0	R1532	1-218-935-11	METAL CHIP	33
R1417	1-218-941-81	METAL CHIP	100	R1613	1-218-965-11	METAL CHIP	10K
R1418	1-218-941-81	METAL CHIP	100	R1619	1-218-933-11	METAL CHIP	22
R1419	1-218-959-11	METAL CHIP	3.3K	R1620	1-218-933-11	METAL CHIP	22
R1420	1-218-977-11	METAL CHIP	100K	R1621	1-218-933-11	METAL CHIP	22
R1421	1-218-941-81	METAL CHIP	100	R1622	1-218-933-11	METAL CHIP	22
R1422	1-218-977-11	METAL CHIP	100K	R1623	1-218-933-11	METAL CHIP	22
R1425	1-218-990-81	SHORT CHIP	0	R1624	1-218-933-11	METAL CHIP	880
R1426	1-218-990-81	SHORT CHIP	0	R1625	1-218-933-11	METAL CHIP	22
R1427	1-218-965-11	METAL CHIP	10K	R1626	1-218-933-11	METAL CHIP	22
R1429	1-218-990-81	SHORT CHIP	0	R1628	1-218-961-11	METAL CHIP	47K
R1430	1-218-965-11	METAL CHIP	10K	R1631	1-218-941-81	METAL CHIP	100
R1431	1-218-990-81	SHORT CHIP	0	R1632	1-218-933-11	METAL CHIP	880
R1432	1-218-965-11	METAL CHIP	10K	R1635	1-218-965-11	METAL CHIP	10K
R1433	1-218-990-81	SHORT CHIP	0	R1636	1-218-933-11	METAL CHIP	22
R1435	1-218-990-81	SHORT CHIP	0	R1640	1-218-977-11	METAL CHIP	100K
R1438	1-218-965-11	METAL CHIP	10K	R1642	1-218-981-91	METAL CHIP	220K
R1439	1-218-965-11	METAL CHIP	10K	R1643	1-218-981-11	METAL CHIP	47K
R1441	1-218-965-11	METAL CHIP	10K	R1644	1-218-959-11	METAL CHIP	3.3K
R1443	1-218-977-11	METAL CHIP	100K	R1645	1-218-959-11	METAL CHIP	3.3K
R1445	1-218-977-11	METAL CHIP	100K	R1646	1-218-973-11	METAL CHIP	47K
R1446	1-218-941-81	METAL CHIP	100	R1647	1-218-973-11	METAL CHIP	47K
R1448	1-218-958-11	METAL CHIP	2.7K	R1649	1-218-981-91	METAL CHIP	220K
R1450	1-218-941-81	METAL CHIP	100	R1650	1-218-956-11	METAL CHIP	1.8K
R1456	1-218-941-81	METAL CHIP	100	R1651	1-218-956-11	METAL CHIP	1.8K
R1459	1-218-965-11	METAL CHIP	10K	R1652	1-218-953-11	METAL CHIP	1K
R1462	1-218-977-11	METAL CHIP	100K	R1654	1-218-864-11	SHORT CHIP	0
R1464	1-218-977-11	METAL CHIP	100K	R1655	1-218-864-11	SHORT CHIP	0
R1465	1-218-981-91	METAL CHIP	220K	R1656	1-218-864-11	SHORT CHIP	0
R1466	1-218-965-11	METAL CHIP	100	R1658	1-218-864-11	SHORT CHIP	0
R1469	1-218-965-11	METAL CHIP	10K	R1659	1-218-864-11	SHORT CHIP	0
R1482	1-218-965-11	METAL CHIP	10K	R1663	1-218-864-11	SHORT CHIP	0
R1483	1-218-965-11	METAL CHIP	10K	R1664	1-218-864-11	SHORT CHIP	0
R1489	1-218-864-11	SHORT CHIP	0	R1665	1-218-864-11	SHORT CHIP	0
R1490	1-218-864-11	SHORT CHIP	0	R1666	1-218-864-11	SHORT CHIP	0
R1491	1-218-864-11	SHORT CHIP	0	R1669	1-218-929-11	METAL CHIP	10
R1492	1-218-864-11	SHORT CHIP	0	R1671	1-218-953-11	METAL CHIP	1K
R1493	1-218-864-11	SHORT CHIP	0	R1715	1-218-929-11	METAL CHIP	10
R1494	1-218-990-81	SHORT CHIP	0	R1718	1-218-965-11	METAL CHIP	10K
R1495	1-218-990-81	SHORT CHIP	0	R1720	1-218-965-11	METAL CHIP	10K
R1496	1-218-990-81	SHORT CHIP	0	R1722	1-218-965-11	METAL CHIP	10K
R1497	1-218-990-81	SHORT CHIP	0	R1725	1-218-965-11	METAL CHIP	10K
R1498	1-218-990-81	SHORT CHIP	0	R1728	1-218-989-11	METAL CHIP	1M
R1499	1-218-990-81	SHORT CHIP	0	R1739	1-218-929-11	METAL CHIP	10
R1502	1-218-959-11	METAL CHIP	3.3K	R1741	1-218-929-11	METAL CHIP	10
R1504	1-218-953-11	METAL CHIP	1K	R1742	1-218-929-11	METAL CHIP	10
R1505	1-208-703-11	METAL CHIP	6.8K	R1743	1-218-929-11	METAL CHIP	10
R1506	1-208-671-11	METAL CHIP	330	R1745	1-218-967-11	METAL CHIP	330
R1507	1-208-911-11	METAL CHIP	10K	R1746	1-218-929-11	METAL CHIP	10
R1509	1-218-815-11	METAL CHIP	330	R1747	1-218-941-81	METAL CHIP	100
R1515	1-218-941-81	METAL CHIP	100	R1748	1-218-989-11	METAL CHIP	1M
R1522	1-218-990-81	SHORT CHIP	0	R1749	1-218-935-11	METAL CHIP	33
R1523	1-218-990-81	SHORT CHIP	0	R1750	1-218-942-11	METAL CHIP	120
R1524	1-218-939-11	METAL CHIP	88	R1751	1-218-942-11	METAL CHIP	120
R1525	1-218-939-11	METAL CHIP	88	R1752	1-218-942-11	METAL CHIP	120
R1526	1-218-939-11	METAL CHIP	88	R1755	1-218-929-11	METAL CHIP	10
R1527	1-218-939-11	METAL CHIP	88	R1756	1-218-929-11	METAL CHIP	10
R1528	1-218-990-81	SHORT CHIP	0	R1757	1-218-929-11	METAL CHIP	10
R1530	1-218-935-11	METAL CHIP	33	R1758	1-218-929-11	METAL CHIP	10

BDP-S760/S1000ES
MB-128 USB-019

Ref. No.	Part No.	Description	Remark
R1759	1-218-9429-11	METAL CHIP	10
R1760	1-218-942-11	METAL CHIP	120
R1761	1-218-942-11	METAL CHIP	120
R1762	1-218-942-11	METAL CHIP	120
R1763	1-218-942-11	METAL CHIP	120
R1764	1-218-942-11	METAL CHIP	120
R1765	1-218-942-11	METAL CHIP	120
R1766	1-218-942-11	METAL CHIP	120
R1773	1-218-957-11	METAL CHIP	2.2K
R1774	1-218-957-11	METAL CHIP	2.2K
R1785	1-218-939-11	METAL CHIP	68
R1786	1-218-934-11	METAL CHIP	27
R1787	1-218-934-11	METAL CHIP	27
R1788	1-218-965-11	METAL CHIP	10K
R1789	1-218-965-11	METAL CHIP	10K
R1790	1-218-933-11	METAL CHIP	22
R1791	1-218-933-11	METAL CHIP	22
R1792	1-218-933-11	METAL CHIP	22
R1793	1-218-990-81	SHORT CHIP	0
R1795	1-218-990-81	SHORT CHIP	0
R4212	1-218-965-11	METAL CHIP	10K
R4214	1-218-965-11	METAL CHIP	10K
R4217	1-218-949-11	METAL CHIP	470
R4218	1-218-949-11	METAL CHIP	470
R4219	1-218-990-81	SHORT CHIP	0
R4222	1-218-971-11	METAL CHIP	33K
R4223	1-218-971-11	METAL CHIP	33K
R4224	1-218-971-11	METAL CHIP	33K
R4225	1-218-965-11	METAL CHIP	10K
R4228	1-208-931-11	METAL CHIP	68K
R4229	1-218-892-11	METAL CHIP	75K
R4231	1-208-930-11	METAL CHIP	62K
R4232	1-208-930-11	METAL CHIP	62K
R4251	1-218-961-11	METAL CHIP	4.7K
R4258	1-218-965-11	METAL CHIP	10K
R4259	1-218-965-11	METAL CHIP	10K
R7040	1-218-965-11	METAL CHIP	10K
R7042	1-218-965-11	METAL CHIP	10K
R8007	1-218-939-11	METAL CHIP	68
< COMPOSITION CIRCUIT BLOCK >			
RB101	1-234-706-21	RES. NETWORK	39 (1005X4)
RB102	1-234-706-21	RES. NETWORK	39 (1005X4)
RB103	1-234-706-21	RES. NETWORK	39 (1005X4)
RB104	1-234-706-21	RES. NETWORK	39 (1005X4)
RB105	1-234-706-21	RES. NETWORK	39 (1005X4)
RB201	1-234-706-21	RES. NETWORK	39 (1005X4)
RB202	1-234-706-21	RES. NETWORK	39 (1005X4)
RB203	1-234-706-21	RES. NETWORK	39 (1005X4)
RB204	1-234-706-21	RES. NETWORK	39 (1005X4)
RB205	1-234-706-21	RES. NETWORK	39 (1005X4)
RB502	1-234-370-21	RES. NETWORK	22 (1005X4)
RB503	1-234-370-21	RES. NETWORK	22 (1005X4)
RB505	1-234-370-21	RES. NETWORK	22 (1005X4)
RB506	1-234-370-21	RES. NETWORK	22 (1005X4)
RB507	1-234-370-21	RES. NETWORK	22 (1005X4)
RB508	1-234-370-21	RES. NETWORK	22 (1005X4)
RB509	1-234-370-21	RES. NETWORK	22 (1005X4)
RB510	1-234-378-21	RES. NETWORK	10K (1005X4)
RB511	1-234-370-21	RES. NETWORK	22 (1005X4)
RB512	1-234-370-21	RES. NETWORK	22 (1005X4)
RB513	1-234-378-21	RES. NETWORK	10K (1005X4)
RB514	1-234-370-21	RES. NETWORK	22 (1005X4)
RB515	1-234-378-21	RES. NETWORK	10K (1005X4)
RB701	1-234-378-21	RES. NETWORK	10K (1005X4)
RB901	1-234-378-21	RES. NETWORK	10K (1005X4)
RB902	1-234-378-21	RES. NETWORK	10K (1005X4)
RB903	1-234-378-21	RES. NETWORK	10K (1005X4)
RB904	1-234-378-21	RES. NETWORK	10K (1005X4)
RB905	1-234-370-21	RES. NETWORK	22 (1005X4)
RB906	1-234-370-21	RES. NETWORK	22 (1005X4)
RB907	1-242-963-21	RES. NETWORK	33 (1005X4)
RB908	1-242-963-21	RES. NETWORK	33 (1005X4)
RB909	1-242-963-21	RES. NETWORK	33 (1005X4)
RB910	1-242-963-21	RES. NETWORK	33 (1005X4)
RB911	1-234-378-21	RES. NETWORK	10K (1005X4)
RB1251	1-234-400-21	CONDUCTOR NETWORK	(1005X4)
RB1252	1-234-400-21	CONDUCTOR NETWORK	(1005X4)
RB1253	1-234-400-21	RES. NETWORK	22 (1005X4)
RB1254	1-234-370-21	RES. NETWORK	22 (1005X4)
RB1255	1-234-370-21	RES. NETWORK	22 (1005X4)
RB1256	1-234-370-21	RES. NETWORK	22 (1005X4)
RB1257	1-234-370-21	RES. NETWORK	22 (1005X4)
RB1258	1-234-400-21	CONDUCTOR NETWORK	(1005X4)
RB1259	1-234-400-21	CONDUCTOR NETWORK	(1005X4)
RB1401	1-234-378-21	RES. NETWORK	10K (1005X4)
RB1402	1-234-372-11	RES. NETWORK	100 (1005X4)
RB1403	1-234-372-11	RES. NETWORK	100 (1005X4)
RB1501	1-234-702-11	RES. NETWORK	68 (1005X4)
RB1502	1-234-702-11	RES. NETWORK	68 (1005X4)
RB1503	1-234-702-11	RES. NETWORK	68 (1005X4)
RB1504	1-234-702-11	RES. NETWORK	68 (1005X4)
RB1505	1-234-702-11	RES. NETWORK	68 (1005X4)
RB1506	1-234-702-11	RES. NETWORK	68 (1005X4)
RB1507	1-234-702-11	RES. NETWORK	68 (1005X4)
RB1508	1-234-702-11	RES. NETWORK	68 (1005X4)
RB1509	1-234-702-11	RES. NETWORK	68 (1005X4)
RB1510	1-234-702-11	RES. NETWORK	68 (1005X4)
RB1511	1-234-702-11	RES. NETWORK	68 (1005X4)
RB1512	1-234-702-11	RES. NETWORK	68 (1005X4)
RB1513	1-234-702-11	RES. NETWORK	68 (1005X4)
RB1713	1-234-378-21	RES. NETWORK	10K (1005X4)
TH1401	1-804-949-11	THEMISTOR, NTC (SMD)	
< VIBRATOR >			
X1101	1-813-821-11	OSCILLATOR CRYSTAL (50MHZ)	
X1701	1-295-244-11	VIBRATOR CERAMIC (10MHZ)	
X1702	1-814-267-11	QUARTZ CRYSTAL UNIT (24.576MHZ)	

A-1731-891-A USB-019 BOARD COMPLETE			

(Ref. No. 20,000 Series)			
C781	1-162-923-11	CERAMIC CHIP	47PF 5% 50V
< CAPACITOR >			

Ref. No.	Part No.	Description	Remark
CN781	1-566-760-11	PIN CONNECTOR (PC BOARD) 5P	
A-1731-893-A USB-020 BOARD COMPLETE			

(Ref. No. 201000 Series)			
< CAPACTOR >			
C791	1-162-923-11	CERAMIC CHIP 47PF 5% 50V	
< CONNECTOR >			
CN790	1-793-365-21	CONNECTOR, USB (A) (USB)	
* CN791	1-564-721-11	PIN CONNECTOR (SMALL TYPE) 5P	
MISCELLANEOUS PARTS			

4	1-836-438-11	CABLE COAXIAL (WITH U.FL CN) (GLAY)	
5	1-836-439-11	CABLE COAXIAL (WITH U.FL CN) (BLACK)	
53	1-836-961-11	CABLE FLEXIBLE FLAT (FMF-005)	
55	1-458-129-11	CARD, WIRELESS LAN	
57	1-836-998-11	CABLE FLEXIBLE FLAT (FMH-003)	
58	1-836-989-11	CABLE FLEXIBLE FLAT (FMA-039)	
59	1-836-980-11	CABLE FLEXIBLE FLAT (FMA-029)	
Δ 101	1-474-150-41	REGULATOR, SWITCHING (SRV2183NM)	
		(EC1, EC2, CEK, AUS)	
Δ 101	1-474-150-51	REGULATOR, SWITCHING (SRV2192U)	
		(US, CND)	
Δ 151	A-1727-332-A	LOADING FOR SERVICE	
154	1-836-504-11	CABLE FLEXIBLE FLAT	
Δ 155	8-820-424-02	DEVICE OPTICAL KEM-430AAAC2R	
M7401	1-787-879-21	FAN D.C.	

The components identified by mark Δ or dotted line with mark Δ are critical for safety.
Replace only with part number specified.

Les composants identifiés par une marque Δ sont critiques pour la sécurité.
Ne les remplacer que par une pièce portant le numéro spécifié.

