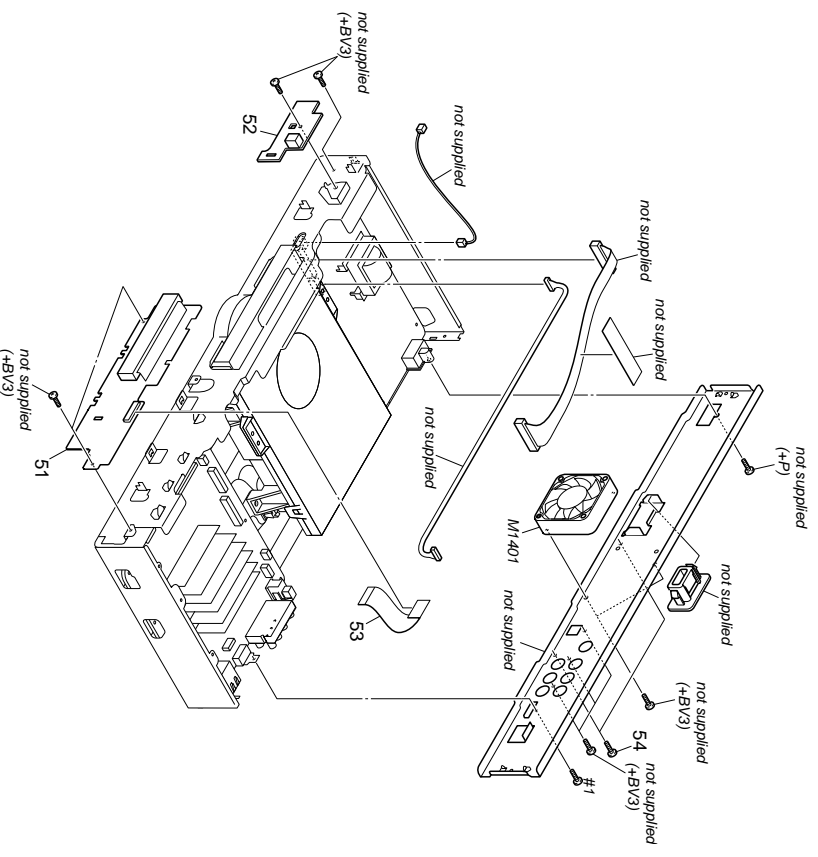


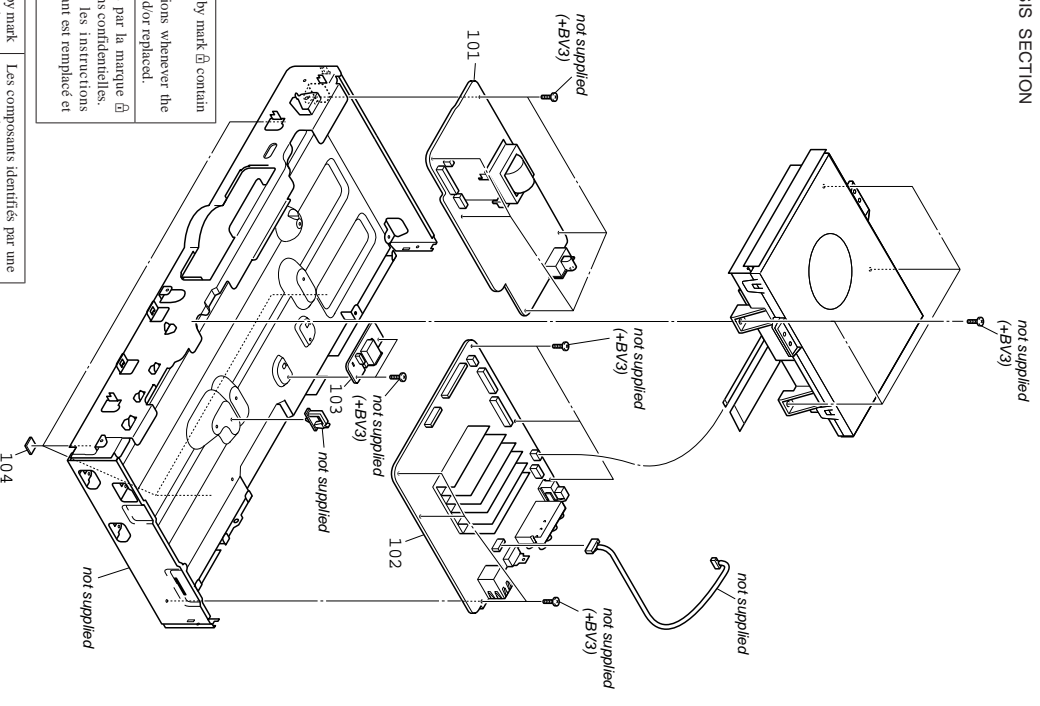


10-1-2. FRONT/REAR CHASSIS SECTION



Ref. No.	Part No.	Description	Remark	Ref. No.	Part No.	Description	Remark
51	A-1703-662A	FR-301 BOARD, COMPLETE (EXCEPT EC1, EC2, CER)		53	1-836-486-11	CABLE, FLEXIBLE FLAT (FMF-003)	
51	A-1703-670A	FR-301 BOARD, COMPLETE (EXCEPT EC1, EC2, CER)		54	3-710-901-71	SCREW, TAPPING	
52	A-1703-664A	FL-193 BOARD, COMPLETE (EXCEPT EC1, EC2, CER)		M1401	1-787-760-21	FAN, D.C.	
52	A-1703-672A	FL-193 BOARD, COMPLETE (EC1, EC2, CER)		#1	7-882-544-04	#B 3X3	

## 10-1-3. MAIN CHASSIS SECTION



The components identified by mark  $\hat{\Delta}$  contain confidential information. Strictly follow the instructions whenever the components are repaired and/or replaced.

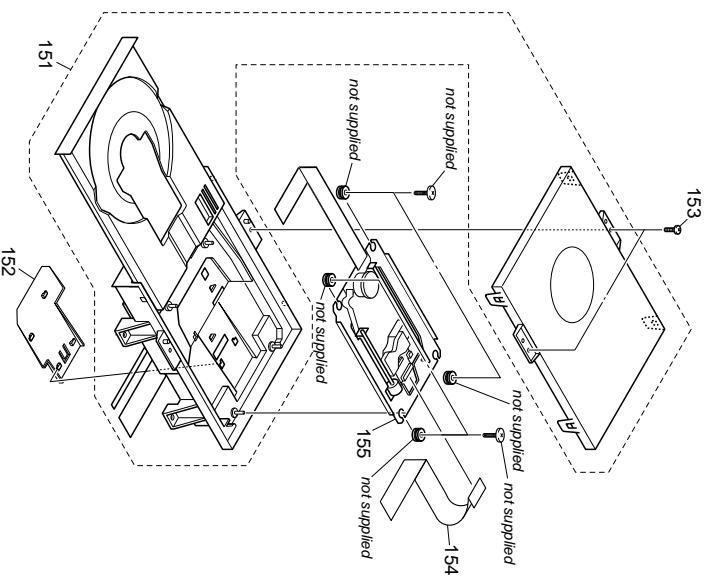
Les composants identifiés par la marque  $\hat{\Delta}$  contiennent des informations confidentielles. Suivre scrupuleusement les instructions chaque fois qu'un composant est remplacé et / ou réparé.

The components identified by mark  $\Delta$  or dotted line with mark  $\Delta$  are critical for safety. Replace only with part number specified.

Les composants identifiés par une marque  $\Delta$  sont critiques pour la sécurité. Ne les remplacer que par une pièce portant le numéro spécifié.

Ref. No.	Part No.	Description	Remark	Ref. No.	Part No.	Description	Remark
$\Delta$ 101	1-474-150-11	REGULATOR, SWITCHING (SRV2180UC)		$\hat{\Delta}$ 102	A-1704-514-A	MB-127 BOARD COMPLETE (S360: KR, TW)	
$\Delta$ 101	1-474-150-31	REGULATOR, SWITCHING (SRV2182EK) (S357/S360: EC1, EC2, CEK, KR, AUS, CH, RU/S363)	(BX2/S360: US, CND)	$\hat{\Delta}$ 102	A-1704-515-A	MB-127 BOARD COMPLETE (S360: AUS)	
$\Delta$ 101	1-474-150-41	REGULATOR, SWITCHING (SRV2183WV)	(S360: E, HK, EA, TH, TW, BR, PX)	$\hat{\Delta}$ 102	A-1704-516-A	MB-127 BOARD COMPLETE (S360: HK, TH)	
$\hat{\Delta}$ 102	A-1704-509-A	MB-127 BOARD COMPLETE (S360: US, CND)		$\hat{\Delta}$ 102	A-1704-517-A	MB-127 BOARD COMPLETE (S360: CH)	
$\hat{\Delta}$ 102	A-1704-510-A	MB-127 BOARD COMPLETE (BX2)		$\hat{\Delta}$ 102	A-1704-519-A	MB-127 BOARD COMPLETE (S360: RU)	
$\hat{\Delta}$ 102	A-1704-511-A	MB-127 BOARD COMPLETE (S360: E, BR)		$\hat{\Delta}$ 102	A-1703-862-A	MB-127 BOARD COMPLETE (S360: PX)	
$\hat{\Delta}$ 102	A-1704-512-A	MB-127 BOARD COMPLETE (S360: EA)		103	A-1703-866-A	USB-014 BOARD COMPLETE (EXCEPT EC1, EC2, CEK)	
$\hat{\Delta}$ 102	A-1704-513-A	MB-127 BOARD COMPLETE (S357/S360: EC1, EC2, CEK/S363)		103	A-1703-874-A	USB-014 BOARD COMPLETE (EC1, EC2, CEK)	
				104	2-319-429-01	CUSHION, FOOT	

10-1-4. BD SECTION



The components identified by mark  $\Delta$  or dotted line with mark  $\Delta$  are critical for safety.  
 Replace only with part number specified.

Les composants identifiés par une marque  $\Delta$  sont critiques pour la sécurité.  
 Ne les remplacer que par une pièce portant le numéro spécifié.

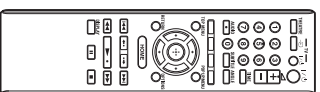
Ref. No.	Part No.	Description	Remark
$\Delta$ 151	A-1727-332-A	LOADING FOR SERVICE HOLDER, FFC (EXCEPT EC1, EC2, CEK)	
152	4-137-203-01	HOLDER, FFC (EC1, EC2, CEK)	
152	4-137-203-11	HOLDER, FFC (EC1, EC2, CEK)	

Ref. No.	Part No.	Description	Remark
153	3-087-053-11	+BVT/2,6 (3GR)	
154	1-838-504-11	CABLE, FLEXIBLE FLAT	
$\Delta$ 155	8-820-424-02	DEVICE, OPTICAL KEM-430AAA/C2RP	

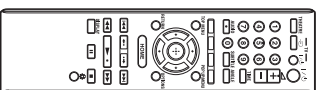
BDP-BX2/S357/S360/S363

10-1-5. ACCESSORIES

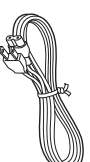
201 Remote Commander  
(RMT-B104A/B104C/B104P)  
(S357/S360)



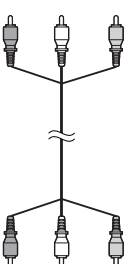
202 Remote Commander  
(RMT-B105A/B105P)  
(BX2/S363)



203 AC Power Cord



204 Audio/Video Cable (Phono Plug x3)  
(EXCEPT EC1, EC2, CEK, E, BR)



205 HDMI Cable  
(BX2/S360; E, BR)



206 Conversion Adaptor (E, EA, PX)



The components identified by mark  
△ or dotted line with mark △ are  
critical for safety.  
Replace only with part number  
specified.

Les composants identifiés par une  
marque △ sont critiques pour la  
sécurité.  
Ne les remplacer que par une pièce  
portant le numéro spécifié.

Ref. No.	Part No.	Description	Remark
201	1-487-218-11	REMOTE COMMANDER (RMT-B104A) (S360; US; CND; E; BR; PX)	*
201	1-487-219-11	REMOTE COMMANDER (RMT-B104P) (S357/S360; EC1; EC2; CEK; HK; KR; AUS; EA; RU; TH; TW)	*
201	1-487-358-11	REMOTE COMMANDER (RMT-B104C) (S360; CH)	*
202	1-487-286-11	REMOTE COMMANDER (RMT-B105A) (BX2)	*
△ 203	1-555-074-62	CORD, POWER (AUS)	*
△ 203	1-782-476-13	CORD, POWER (CH)	*
△ 203	1-575-131-82	CORD, POWER (EC1, EC2, E, EA, RU, PX)	*
△ 203	1-823-701-11	CORD, POWER (US; CND)	*
△ 203	1-830-337-11	POWER-SUPPLY CORD (TW)	*
△ 203	1-831-905-21	POWER-SUPPLY CORD (CEK, HK)	*
△ 203	1-833-892-31	CORD SET, POWER SUPPLY (KR)	*
△ 203	1-835-214-12	CORD, POWER (TH)	*
204	1-751-271-71	CORD, CONNECTION (AV) (EXCEPT EC1, EC2, CEK, E, BR)	*
205	1-834-169-21	CORD, CONNECTION (HDMI CABLE) (BX2/S360; E, BR)	*
△ 206	1-569-008-22	ADAPTOR, CONVERSION 2P (E, EA, PX)	*
*	4-135-579-11	MANUAL, INSTRUCTION (ENGLISH) (S360; US; CND; PX)	*
*	4-135-579-21	MANUAL, INSTRUCTION (FRENCH) (S360; CND)	*
*	4-135-580-11	MANUAL, INSTRUCTION (ENGLISH) (S360; AUS)	*
*	4-135-580-21	MANUAL, INSTRUCTION (RUSSIAN) (S360; RU)	*
*	4-135-580-31	MANUAL, INSTRUCTION (SPANISH) (S360; E, BR)	*
*	4-135-580-41	MANUAL, INSTRUCTION (KOREAN) (S360; KR)	*
*	4-135-580-51	MANUAL, INSTRUCTION (TRADITIONAL CHINESE) (S360; TW)	*
*	4-135-580-61	MANUAL, INSTRUCTION (URKRAINIAN) (S360; RU)	*
*	4-135-581-11	MANUAL, INSTRUCTION (ENGLISH) (S360; HK, TH)	*

Ref. No.	Part No.	Description	Remark
*	4-135-581-21	MANUAL, INSTRUCTION (TRADITIONAL CHINESE) (S360; HK)	*
*	4-135-581-31	MANUAL, INSTRUCTION (SIMPLIFIED CHINESE) (S360; CH)	*
*	4-135-581-41	MANUAL, INSTRUCTION (ENGLISH) (S360; EA)	*
*	4-135-581-51	MANUAL, INSTRUCTION (ARABIC) (S360; EA)	*
*	4-135-582-11	MANUAL, INSTRUCTION (ENGLISH) (S360; CEK)	*
*	4-135-582-21	MANUAL, INSTRUCTION (FRENCH) (S360; EC1/S363; EC1)	*
*	4-135-582-31	MANUAL, INSTRUCTION (GERMAN) (S360; EC1/S363; EC1)	*
*	4-135-582-41	MANUAL, INSTRUCTION (ITALIAN) (S360; EC1/S363; EC1)	*
*	4-135-582-51	MANUAL, INSTRUCTION (DUTCH) (S360; EC1/S363; EC1)	*
*	4-135-583-11	MANUAL, INSTRUCTION (SPANISH) (S360; EC2)	*
*	4-135-583-21	MANUAL, INSTRUCTION (PORTUGUESE) (S360; EC2)	*
*	4-135-583-31	MANUAL, INSTRUCTION (SWEDISH) (S360; EC2)	*
*	4-135-583-41	MANUAL, INSTRUCTION (DANISH) (S360; EC2)	*
*	4-135-583-51	MANUAL, INSTRUCTION (FINNISH) (S360; EC2)	*
*	4-135-686-11	MANUAL, INSTRUCTION (ENGLISH) (BX2)	*
*	4-135-686-21	MANUAL, INSTRUCTION (FRENCH) (BX2; CND)	*
*	4-141-878-21	MANUAL, INSTRUCTION (FRENCH) (S357)	*
*	4-141-878-31	MANUAL, INSTRUCTION (GERMAN) (S357)	*
*	4-141-878-41	MANUAL, INSTRUCTION (ITALIAN) (S357)	*
*	4-141-878-51	MANUAL, INSTRUCTION (SPANISH) (S357)	*
*	4-141-878-61	MANUAL, INSTRUCTION (DUTCH) (S357)	*

## 10-2. ELECTRICAL PARTS LIST

## NOTE:

- Due to standardization, replacements in the parts list may be different from the parts specified in the diagrams or the components used on the set.
- -XX and -X mean standardized parts, so they may have some difference from the original one.
- RESISTORS
  - All resistors are in ohms.
  - METAL: Metal-film resistor.
  - METAL OXIDE: Metal oxide-film resistor.
  - F: nonflammable
  - Items marked "e" are not stocked since they are seldom required for routine service.
  - Some delay should be anticipated when ordering these items.
- SEMICONDUCTORS
  - In each case, ur, jr, for example:
    - uA. : JAA. : uPA. : JPA.
    - uB. : JPB. : uPC. : JPC.
    - uPD. : JPD.
- CAPACITORS
  - uf:  $\mu$ F
  - uOH:  $\mu$ H
  - uH:  $\mu$ H
- Abbreviation
  - AUS : Australian model
  - BR : Brazilian model
  - CH : Chinese model
  - CND : Canadian model
  - EA : Saudi Arabia model
  - HK : Hong Kong model
  - KR : Korea model
  - RU : Russian model
  - TH : Thai model
  - TW : Taiwan model

Ref. No.	Part No.	Description	Remark	Ref. No.	Part No.	Description	Remark
	A-1703-864-A	FL-193 BOARD, COMPLETE (EXCEPT EC1, EC2, CEK)		D707	6-501-726-01	DIODE MA28047GML50	
	A-1703-672-A	FL-193 BOARD, COMPLETE (EC1, EC2, CEK) ***** (Ref. No. 20,000 Series)		IC701	6-600-665-01	IC GP1UE27XK0VF	
		<CONNECTOR >		IC702	6-701-729-01	IC PT6315	
CN331	1-770-160-21	PIN, CONNECTOR (PC BOARD) 2P				<COIL >	
		<SWITCH >		L701	1-411-919-11	INDUCTOR 100uH	
S331	1-771-410-21	SWITCH TACTILE (I/C)				<FLUORESCENT INDICATOR TUBE >	
				ND701	1-483-022-11	INDICATOR TUBE, FLUORESCENT	
	A-1703-862-A	FR-301 BOARD, COMPLETE (EXCEPT EC1, EC2, CEK)				<IC LINK >	
	A-1703-870-A	FR-301 BOARD, COMPLETE (EC1, EC2, CEK) ***** (Ref. No. 20,000 Series)		Δ PS701	1-576-122-21	IC LINK 0.4A 72V	
		<CAPACITOR >				<TRANSISTOR >	
C701	1-115-339-11	CERAMIC CHIP 0.1uF	10%	Q703	8-729-421-19	TRANSISTOR UNZ213	
C703	1-125-972-91	ELECT 100uF	20%	Q704	8-729-904-87	TRANSISTOR 2SB1197K-R	
C704	1-124-889-11	ELECT 47uF	20%	Q706	8-729-901-88	TRANSISTOR 2SC241K-CR	
C707	1-107-726-91	CERAMIC CHIP 0.07uF	10%	Q707	8-729-901-88	TRANSISTOR 2SC241K-CR	
C711	1-115-339-11	CERAMIC CHIP 0.1uF	10%	Q708	8-729-421-19	TRANSISTOR UNZ213	
C712	1-128-131-11	ELECT 22uF	20%	Q709	8-729-904-87	TRANSISTOR 2SB1197K-R	
C713	1-115-339-11	CERAMIC CHIP 0.1uF	10%	Q710	8-729-421-19	TRANSISTOR UNZ213	
C714	1-107-726-91	CERAMIC CHIP 0.07uF	10%	Q711	8-729-421-19	TRANSISTOR UNZ213	
C715	1-107-726-91	CERAMIC CHIP 0.07uF	10%			<RESISTOR >	
C716	1-115-339-11	CERAMIC CHIP 0.1uF	10%	R701	1-216-833-11	METAL CHIP 10K	5%
C717	1-164-217-11	CERAMIC CHIP 150PF	5%	R702	1-216-033-00	METAL CHIP 220	5%
C718	1-164-217-11	CERAMIC CHIP 150PF	5%	R705	1-216-821-11	METAL CHIP 3.9K	5%
		<CONNECTOR >		R707	1-216-828-11	METAL CHIP 220	5%
CN701	1-793-806-61	CONNECTOR, FCC/PC 17P		R712	1-216-825-11	METAL CHIP 2.2K	5%
		<DIODE >		R713	1-216-825-11	METAL CHIP 2.2K	5%
D703	8-719-988-61	DIODE 1SS355TE-17		R714	1-216-838-11	METAL CHIP 27K	5%
D704	8-719-988-61	DIODE 1SS355TE-17		R715	1-216-845-11	METAL CHIP 100K	5%
D705	8-719-988-61	DIODE 1SS355TE-17		R717	1-216-033-00	METAL CHIP 220	5%
D706	8-719-988-61	DIODE 1SS355TE-17		R718	1-216-829-11	METAL CHIP 47K	5%
				R719	1-216-825-11	METAL CHIP 2.2K	5%
				R720	1-216-805-11	METAL CHIP 47	5%
				R721	1-216-833-11	METAL CHIP 10K	5%

The components identified by mark Δ or dotted line with mark Δ are critical for safety. Replace only with part number specified.

Les composants identifiés par une marque Δ sont critiques pour la sécurité.

Ne les remplacer que par une pièce portant le numéro spécifié.

When indicating parts by reference number, please include the board.

The components identified by mark ⊕ contain confidential information. Strictly follow the instructions whenever the components are repaired and/or replaced.

Les composants identifiés par la marque ⊕ contiennent des informations confidentielles. Suivre scrupuleusement les instructions chaque fois qu'un composant est remplacé et / ou réparé.

Ref. No.	Part No.	Description	Remark	Ref. No.	Part No.	Description	Remark
		< SWITCH >		C146	1-100-905-11	CERAMIC CHIP 0.001uF	10% 50V
S701	1-771-410-21	SWITCH, TACTILE (▲)		C147	1-100-905-11	CERAMIC CHIP 0.001uF	10% 50V
S702	1-771-410-21	SWITCH, TACTILE (■)		C148	1-100-905-11	CERAMIC CHIP 0.001uF	10% 50V
S703	1-771-410-21	SWITCH, TACTILE (▶)		C152	1-100-905-11	CERAMIC CHIP 0.001uF	10% 50V
		< TRANSFORMER >		C153	1-100-909-11	CERAMIC CHIP 10uF	10% 6.3V
* T701	1-445-547-11	TRANSFORMER, DC-DC CONVERTER		C154	1-100-916-11	CERAMIC CHIP 0.1uF	10% 16V
		A-1704-509-A	MB-127 BOARD, COMPLETE (S360: US, OND)	C155	1-100-567-81	CERAMIC CHIP 0.01uF	10% 25V
		A-1704-510-A	MB-127 BOARD, COMPLETE (BX2)	C157	1-100-567-81	CERAMIC CHIP 0.01uF	10% 25V
		A-1704-511-A	MB-127 BOARD, COMPLETE (S360: E, BR)	C158	1-100-567-81	CERAMIC CHIP 0.01uF	10% 25V
		A-1704-512-A	MB-127 BOARD, COMPLETE (S360: EA)	C159	1-100-567-81	CERAMIC CHIP 0.01uF	10% 25V
		A-1704-513-A	MB-127 BOARD, COMPLETE (S357/S360: EC1, EC2, CEK/S363) (S357/S360: EC1, EC2, CEK/S363)	C161	1-100-567-81	CERAMIC CHIP 0.01uF	10% 25V
		A-1704-514-A	MB-127 BOARD, COMPLETE (S360: TW, KR)	C163	1-112-717-91	CERAMIC CHIP 1uF	10% 6.3V
		A-1704-515-A	MB-127 BOARD, COMPLETE (S360: AUS)	C165	1-112-717-91	CERAMIC CHIP 1uF	10% 6.3V
		A-1704-516-A	MB-127 BOARD, COMPLETE (S360: HK, TH)	C168	1-112-717-91	CERAMIC CHIP 1uF	10% 6.3V
		A-1704-517-A	MB-127 BOARD, COMPLETE (S360: CH)	C170	1-100-567-81	CERAMIC CHIP 0.01uF	10% 25V
		A-1704-519-A	MB-127 BOARD, COMPLETE (S360: RU)				
		A-1733-662-A	MB-127 BOARD, COMPLETE (S360: PX)				
		< CAPACITOR >		C206	1-100-916-11	CERAMIC CHIP 0.1uF	10% 16V
C102	1-100-916-11	CERAMIC CHIP 0.1uF	10% 16V	C207	1-100-905-11	CERAMIC CHIP 0.001uF	10% 50V
C103	1-100-905-11	CERAMIC CHIP 0.001uF	10% 50V	C208	1-100-905-11	CERAMIC CHIP 0.001uF	10% 50V
C105	1-100-905-11	CERAMIC CHIP 0.001uF	10% 50V	C211	1-100-905-11	CERAMIC CHIP 0.001uF	10% 50V
C106	1-100-905-11	CERAMIC CHIP 0.001uF	10% 50V	C212	1-100-905-11	CERAMIC CHIP 0.001uF	10% 50V
C107	1-100-905-11	CERAMIC CHIP 0.001uF	10% 50V	C213	1-100-905-11	CERAMIC CHIP 0.001uF	10% 50V
C108	1-100-905-11	CERAMIC CHIP 0.001uF	10% 50V	C214	1-100-905-11	CERAMIC CHIP 0.001uF	10% 50V
C110	1-100-905-11	CERAMIC CHIP 0.001uF	10% 50V	C215	1-100-905-11	CERAMIC CHIP 0.001uF	10% 50V
C112	1-100-905-11	CERAMIC CHIP 0.001uF	10% 50V	C216	1-100-905-11	CERAMIC CHIP 0.001uF	10% 50V
C113	1-100-905-11	CERAMIC CHIP 0.001uF	10% 50V	C222	1-112-717-91	CERAMIC CHIP 1uF	10% 6.3V
C115	1-100-916-11	CERAMIC CHIP 0.1uF	10% 16V				
C116	1-100-916-11	CERAMIC CHIP 0.1uF	10% 16V	C223	1-100-905-11	CERAMIC CHIP 0.001uF	10% 50V
C117	1-100-916-11	CERAMIC CHIP 0.1uF	10% 16V	C225	1-100-905-11	CERAMIC CHIP 0.001uF	10% 50V
C118	1-100-916-11	CERAMIC CHIP 0.1uF	10% 16V	C227	1-100-905-11	CERAMIC CHIP 0.001uF	10% 50V
C119	1-112-717-91	CERAMIC CHIP 1uF	10% 6.3V	C231	1-100-905-11	CERAMIC CHIP 0.001uF	10% 50V
C120	1-100-905-11	CERAMIC CHIP 0.001uF	10% 50V	C232	1-100-905-11	CERAMIC CHIP 0.001uF	10% 50V
C122	1-100-905-11	CERAMIC CHIP 0.001uF	10% 50V				
C125	1-100-905-11	CERAMIC CHIP 0.001uF	10% 50V	C240	1-112-717-91	CERAMIC CHIP 1uF	10% 6.3V
C128	1-100-905-11	CERAMIC CHIP 0.001uF	10% 50V	C241	1-100-905-11	CERAMIC CHIP 0.001uF	10% 50V
C130	1-100-905-11	CERAMIC CHIP 0.001uF	10% 50V	C245	1-100-905-11	CERAMIC CHIP 0.001uF	10% 50V
C132	1-100-905-11	CERAMIC CHIP 0.001uF	10% 50V	C246	1-100-905-11	CERAMIC CHIP 0.001uF	10% 50V
C133	1-100-905-11	CERAMIC CHIP 0.001uF	10% 50V	C247	1-100-905-11	CERAMIC CHIP 0.001uF	10% 50V
C134	1-100-905-11	CERAMIC CHIP 0.001uF	10% 50V				
C135	1-100-909-11	CERAMIC CHIP 10uF	10% 6.3V	C248	1-100-905-11	CERAMIC CHIP 0.001uF	10% 50V
C136	1-100-916-11	CERAMIC CHIP 0.1uF	10% 16V	C249	1-100-905-11	CERAMIC CHIP 0.001uF	10% 50V
C137	1-112-717-91	CERAMIC CHIP 1uF	10% 6.3V	C251	1-100-905-11	CERAMIC CHIP 0.001uF	10% 50V
C138	1-100-905-11	CERAMIC CHIP 0.001uF	10% 50V	C252	1-100-905-11	CERAMIC CHIP 0.001uF	10% 50V
C141	1-100-905-11	CERAMIC CHIP 0.001uF	10% 50V	C253	1-100-905-11	CERAMIC CHIP 0.001uF	10% 50V
C144	1-100-905-11	CERAMIC CHIP 0.001uF	10% 50V	C256	1-100-567-81	CERAMIC CHIP 0.01uF	10% 25V
C145	1-100-905-11	CERAMIC CHIP 0.001uF	10% 50V	C262	1-100-567-81	CERAMIC CHIP 0.01uF	10% 25V
		The components identified by mark		C263	1-100-567-81	CERAMIC CHIP 0.01uF	10% 25V
		do not contain confidential information.		C265	1-112-717-91	CERAMIC CHIP 1uF	10% 6.3V
		Strictly follow the instructions		C267	1-112-717-91	CERAMIC CHIP 1uF	10% 6.3V
		whenever the components are		C268	1-112-717-91	CERAMIC CHIP 1uF	10% 6.3V
		repaired and/or replaced.		C270	1-112-717-91	CERAMIC CHIP 1uF	10% 6.3V

Ref. No.	Part No.	Description	Remark	Ref. No.	Part No.	Description	Remark				
C276	1-100-567-81	CERAMIC CHIP	0.01uF	10%	25V						
C277	1-100-567-81	CERAMIC CHIP	0.01uF	10%	25V						
C278	1-100-916-11	CERAMIC CHIP	0.1uF	10%	16V	C422	1-100-916-11	CERAMIC CHIP	0.1uF	10%	16V
C301	1-100-909-11	CERAMIC CHIP	10uF	10%	6.3V	C423	1-100-916-11	CERAMIC CHIP	0.1uF	10%	16V
C302	1-100-909-11	CERAMIC CHIP	10uF	10%	6.3V	C425	1-100-916-11	CERAMIC CHIP	0.1uF	10%	16V
C303	1-100-916-11	CERAMIC CHIP	0.1uF	10%	16V	C427	1-100-916-11	CERAMIC CHIP	0.1uF	10%	16V
C306	1-100-909-11	CERAMIC CHIP	10uF	10%	6.3V	C428	1-100-916-11	CERAMIC CHIP	0.1uF	10%	16V
C308	1-100-909-11	CERAMIC CHIP	10uF	10%	6.3V	C429	1-100-916-11	CERAMIC CHIP	0.1uF	10%	16V
C313	1-115-467-11	CERAMIC CHIP	0.22uF	10%	10V	C430	1-100-916-11	CERAMIC CHIP	0.1uF	10%	16V
C315	1-100-567-81	CERAMIC CHIP	0.01uF	10%	25V	C431	1-100-916-11	CERAMIC CHIP	0.1uF	10%	16V
C316	1-115-467-11	CERAMIC CHIP	0.22uF	10%	10V	C432	1-100-916-11	CERAMIC CHIP	0.1uF	10%	16V
C322	1-135-960-91	CERAMIC CHIP	10uF	10%	25V	C433	1-100-916-11	CERAMIC CHIP	0.1uF	10%	16V
C328	1-112-298-91	CERAMIC CHIP	1uF	10%	16V	C434	1-100-916-11	CERAMIC CHIP	0.1uF	10%	16V
C329	1-112-300-91	CERAMIC CHIP	4.7uF	10%	10V	C435	1-100-916-11	CERAMIC CHIP	0.1uF	10%	16V
C331	1-112-298-91	CERAMIC CHIP	1uF	10%	16V	C436	1-100-916-11	CERAMIC CHIP	0.1uF	10%	16V
C332	1-112-300-91	CERAMIC CHIP	4.7uF	10%	10V	C437	1-100-916-11	CERAMIC CHIP	0.1uF	10%	16V
C336	1-135-960-91	CERAMIC CHIP	10uF	10%	25V	C440	1-100-909-11	CERAMIC CHIP	10uF	10%	6.3V
C337	1-100-567-81	CERAMIC CHIP	0.01uF	10%	25V	C441	1-100-909-11	CERAMIC CHIP	10uF	10%	6.3V
C338	1-107-819-11	CERAMIC CHIP	0.023uF	10%	16V	C442	1-100-916-11	CERAMIC CHIP	0.1uF	10%	16V
C339	1-112-298-91	CERAMIC CHIP	1uF	10%	16V	C443	1-100-916-11	CERAMIC CHIP	0.1uF	10%	16V
C343	1-100-916-11	CERAMIC CHIP	0.1uF	10%	16V	C513	1-100-916-11	CERAMIC CHIP	0.1uF	10%	16V
C344	1-112-300-91	CERAMIC CHIP	4.7uF	10%	10V	C514	1-100-916-11	CERAMIC CHIP	0.1uF	10%	16V
C345	1-100-159-91	CERAMIC CHIP	22uF	10%	6.3V	C517	1-100-567-81	CERAMIC CHIP	0.01uF	10%	25V
C346	1-100-159-91	CERAMIC CHIP	22uF	10%	6.3V	C602	1-165-884-11	CERAMIC CHIP	2.2uF	10%	16V
C348	1-100-916-11	CERAMIC CHIP	0.1uF	10%	16V	C603	1-100-916-11	CERAMIC CHIP	2.2uF	10%	6.3V
C350	1-100-672-11	CERAMIC CHIP	10uF	20%	16V	C608	1-100-916-11	CERAMIC CHIP	0.1uF	10%	16V
C352	1-112-298-91	CERAMIC CHIP	1uF	10%	16V	C609	1-112-298-91	CERAMIC CHIP	0.001uF	10%	50V
C355	1-112-300-91	CERAMIC CHIP	4.7uF	10%	10V	C605	1-165-884-11	CERAMIC CHIP	2.2uF	10%	6.3V
C357	1-100-916-11	CERAMIC CHIP	0.1uF	10%	16V	C606	1-100-916-11	CERAMIC CHIP	0.1uF	10%	16V
C358	1-100-916-11	CERAMIC CHIP	0.1uF	10%	16V	C607	1-128-98-11	CERAMIC CHIP	8PF	0.5PF	50V
C361	1-114-532-21	CERAMIC CHIP	330uF	20%	4V	C608	1-164-88-11	CERAMIC CHIP	8PF	0.5PF	50V
C362	1-114-532-21	ELECT CHIP	330uF	20%	4V	C619	1-112-298-91	CERAMIC CHIP	1uF	10%	16V
C366	1-100-159-91	CERAMIC CHIP	22uF	10%	6.3V	C624	1-128-983-21	ELECT CHIP	22uF	20%	10V
C368	1-112-776-11	CERAMIC CHIP	0.0047uF	10%	50V	C613	1-112-298-91	CERAMIC CHIP	1uF	10%	16V
C376	1-100-159-91	CERAMIC CHIP	22uF	10%	6.3V	C617	1-128-984-11	ELECT CHIP	220uF	20%	10V
C379	1-112-298-91	CERAMIC CHIP	1uF	10%	16V	C619	1-100-966-11	CERAMIC CHIP	10uF	20%	10V
C382	1-100-916-11	CERAMIC CHIP	0.1uF	10%	16V	C624	1-100-567-81	CERAMIC CHIP	0.01uF	10%	25V
C385	1-100-916-11	CERAMIC CHIP	0.1uF	10%	16V	C704	1-100-567-81	CERAMIC CHIP	0.01uF	10%	25V
C388	1-164-936-11	CERAMIC CHIP	880PF	10%	50V	C706	1-115-467-11	CERAMIC CHIP	0.22uF	10%	10V
C397	1-112-2775-11	CERAMIC CHIP	0.0022uF	10%	50V	C707	1-100-916-11	CERAMIC CHIP	0.1uF	10%	16V
C398	1-164-936-11	CERAMIC CHIP	880PF	10%	50V	C708	1-165-887-11	CERAMIC CHIP	0.22uF	10%	6.3V
C399	1-112-775-11	CERAMIC CHIP	0.0022uF	10%	50V	C709	1-100-567-81	CERAMIC CHIP	0.01uF	10%	25V
C402	1-100-916-11	CERAMIC CHIP	0.1uF	10%	16V	C712	1-100-916-11	CERAMIC CHIP	0.1uF	10%	16V
C403	1-100-916-11	CERAMIC CHIP	0.1uF	10%	16V	C713	1-100-916-11	CERAMIC CHIP	0.1uF	10%	16V
C404	1-100-916-11	CERAMIC CHIP	0.1uF	10%	16V	C718	1-100-916-11	CERAMIC CHIP	0.1uF	10%	16V
C405	1-100-916-11	CERAMIC CHIP	0.1uF	10%	16V	C722	1-100-567-81	CERAMIC CHIP	0.01uF	10%	25V
C406	1-100-916-11	CERAMIC CHIP	0.1uF	10%	16V	C726	1-100-567-81	CERAMIC CHIP	0.01uF	10%	25V
C407	1-100-916-11	CERAMIC CHIP	0.1uF	10%	16V	C757	1-115-467-11	CERAMIC CHIP	0.22uF	10%	10V
C408	1-100-916-11	CERAMIC CHIP	0.1uF	10%	16V	C758	1-100-916-11	CERAMIC CHIP	0.1uF	10%	16V
C409	1-100-916-11	CERAMIC CHIP	0.1uF	10%	16V	C759	1-100-567-81	CERAMIC CHIP	0.01uF	10%	25V
C410	1-100-916-11	CERAMIC CHIP	0.1uF	10%	16V	C760	1-115-467-11	CERAMIC CHIP	0.22uF	10%	10V
C411	1-164-847-11	CERAMIC CHIP	7PF	0.5PF	50V	C762	1-100-567-81	CERAMIC CHIP	0.01uF	10%	25V
C413	1-164-847-11	CERAMIC CHIP	7PF	0.5PF	50V	C801	1-112-717-91	CERAMIC CHIP	1uF	10%	6.3V
C414	1-100-916-11	CERAMIC CHIP	0.1uF	10%	16V	C802	1-100-916-11	CERAMIC CHIP	0.1uF	10%	16V
C415	1-100-916-11	CERAMIC CHIP	0.1uF	10%	16V	C803	1-100-916-11	CERAMIC CHIP	0.1uF	10%	16V
C416	1-100-916-11	CERAMIC CHIP	0.1uF	10%	16V	C804	1-112-717-91	CERAMIC CHIP	1uF	10%	6.3V
C417	1-100-916-11	CERAMIC CHIP	0.1uF	10%	16V	C805	1-100-916-11	CERAMIC CHIP	0.1uF	10%	16V
C418	1-100-916-11	CERAMIC CHIP	0.1uF	10%	16V	C807	1-100-916-11	CERAMIC CHIP	0.1uF	10%	16V
C419	1-100-916-11	CERAMIC CHIP	0.1uF	10%	16V	C810	1-137-765-21	ELECT CHIP	47uF	20%	16V
C420	1-100-916-11	CERAMIC CHIP	0.1uF	10%	16V	C812	1-100-916-11	CERAMIC CHIP	0.1uF	10%	16V
					C813	1-100-672-11	CERAMIC CHIP	10uF	20%	16V	

BDP-BX2/S357/S360/S363







Ref. No.	Part No.	Description	Remark	Ref. No.	Part No.	Description	Remark
F307	1-234-986-11	FILTER, EMI REMOVAL (160SSMD)		Q702	6-551-714-01	TRANSISTOR	INK0001AC1-T112A-1
F308	1-234-986-11	FILTER, EMI REMOVAL (160SSMD)		Q801	8-729-620-07	TRANSISTOR	2SC3052EF-T1-LEF
		<IC>		Q805	8-729-028-73	TRANSISTOR	DTA114EUA-T106
IC301	6-711-237-01	IC NLM2879F-3-33 (TE2)		Q806	8-729-029-14	TRANSISTOR	DTC144EUA-T106
IC302	6-711-050-01	IC S-1170B50UC-OUI7FG		Q809	8-729-620-07	TRANSISTOR	2SC3052EF-T1-LEF
IC304	6-705-337-01	IC TK11150CSQL-G		Q812	6-551-696-01	TRANSISTOR	ISA1235AC1TP-4EF
IC302	6-710-963-01	IC K9F2908U0A-PC90T		Q813	8-729-028-83	TRANSISTOR	DTA124EUA-T106
IC601	6-712-613-01	IC SI-3010KM-TLS		Q1408	6-551-690-01	TRANSISTOR	RT3M11M-TP-1
IC703	6-706-487-01	IC TC7SH08FU (TFR50VJF)				< RESISTOR >	
IC704	6-702-302-01	IC TK11133CSQL-G		R103	1-208-683-11	METAL CHIP	
IC705	6-705-337-01	IC TK11150CSQL-G		R104	1-208-683-11	METAL CHIP	1K
IC802	6-711-237-01	IC NLM2879F-3-33 (TE2)		R108	1-218-943-11	METAL CHIP	150
IC804	6-702-630-01	IC AK4382AV1M-E2		R109	1-218-943-11	METAL CHIP	150
IC805	6-711-237-01	IC NLM2879F-3-33 (TE2)		R110	1-218-943-11	METAL CHIP	150
IC806	8-769-667-17	IC L79M05TLL-S0NV-TL-E		R111	1-218-943-11	METAL CHIP	150
IC807	8-759-100-96	IC UPC4558G2		R115	1-218-929-11	METAL CHIP	10
IC808	6-713-907-01	IC NLM2654BV (TE2)		R116	1-218-929-11	METAL CHIP	10
IC1101	6-712-663-11	IC LAN8700C-AEZG-CT1		R117	1-218-929-11	METAL CHIP	10
IC1351	6-713-929-01	IC BD36530HFV-TR		R118	1-218-929-11	METAL CHIP	10
IC1401	6-708-762-01	IC PC0200NNA1ZPH		R121	1-218-944-81	METAL CHIP	100
IC1403	6-808-722-01	IC RS5F12A7SMA18FP		R123	1-208-683-11	METAL CHIP	1K
		< COIL >		R124	1-208-683-11	METAL CHIP	1K
L302	1-481-246-11	INDUCTOR 2.2uH		R125	1-218-944-81	METAL CHIP	100
L304	1-400-789-21	INDUCTOR 2.2uH		R127	1-208-683-11	METAL CHIP	1K
L601	1-400-180-21	INDUCTOR EMI FERRITE (608)		R128	1-208-683-11	METAL CHIP	1K
L602	1-400-180-21	INDUCTOR EMI FERRITE (608)		R203	1-208-683-11	METAL CHIP	1K
L607	1-414-843-21	INDUCTOR 18uH		R204	1-208-683-11	METAL CHIP	150
L608	1-414-843-21	INDUCTOR 18uH		R208	1-208-683-11	METAL CHIP	150
L609	1-457-223-11	COMMON MODE CHOKE COIL		R210	1-218-943-11	METAL CHIP	150
L705	1-457-374-21	COMMON MODE CHOKE COIL		R211	1-218-943-11	METAL CHIP	150
L706	1-457-374-21	COMMON MODE CHOKE COIL		R212	1-218-943-11	METAL CHIP	150
L707	1-457-374-21	COMMON MODE CHOKE COIL		R213	1-218-943-11	METAL CHIP	150
L708	1-457-374-21	COMMON MODE CHOKE COIL		R217	1-218-929-11	METAL CHIP	10
L1287	1-400-789-21	INDUCTOR 2.2uH		R218	1-218-929-11	METAL CHIP	10
		< FUSE >		R219	1-218-929-11	METAL CHIP	10
ΔPS301	1-523-095-31	FUSE 3.15A 32V		R220	1-218-929-11	METAL CHIP	10
ΔPS303	1-523-095-31	FUSE 3.15A 32V		R223	1-218-944-81	METAL CHIP	100
ΔPS304	1-523-094-31	FUSE 2A 50V		R225	1-208-683-11	METAL CHIP	1K
ΔPS802	1-523-093-31	FUSE 0.3A 50V		R226	1-208-683-11	METAL CHIP	1K
ΔPS803	1-523-074-31	FUSE 32V 32V		R227	1-218-944-81	METAL CHIP	100
ΔPS804	1-523-074-31	FUSE 1A 32V		R229	1-208-683-11	METAL CHIP	1K
		< TERMINAL >		R230	1-208-683-11	METAL CHIP	1K
PT001	1-694-802-21	CONTACT TERMINAL		R301	1-218-953-11	METAL CHIP	1K
PT002	1-694-592-21	TERMINAL		R303	1-218-953-11	METAL CHIP	1K
* PT003	1-694-592-21	TERMINAL		R304	1-218-953-11	METAL CHIP	1K
		< TRANSISTOR >		R305	1-218-953-11	METAL CHIP	1K
Q301	6-552-024-01	TRANS STOR	RRH070ND31B1	R312	1-218-973-11	METAL CHIP	47K
Q302	6-550-663-01	TRANS STOR	RSS100ND3FD5B	R314	1-218-953-11	METAL CHIP	1K
Q303	6-552-024-01	TRANS STOR	RRH070ND31B1	R315	1-208-667-11	METAL CHIP	3.9K
Q304	6-550-663-01	TRANS STOR	RSS100ND3FD5B	R317	1-208-973-11	METAL CHIP	15K
Q305	8-729-028-96	TRANS STOR	DTC114EUA-T106	R318	1-208-909-11	METAL CHIP	8.2K
Q306	6-551-466-01	TRANS STOR	RTR020P02TL	R319	1-208-939-11	METAL CHIP	150K
Q307	6-551-690-01	TRANS STOR	RT3M11M-TP-1	R320	1-218-947-11	METAL CHIP	330
Q308	6-551-690-01	TRANS STOR	RT3M11M-TP-1	R321	1-218-973-11	METAL CHIP	47K
Q309	8-729-028-96	TRANS STOR	DTC114EUA-T106	R322	1-208-939-11	METAL CHIP	150K
				R323	1-208-703-11	METAL CHIP	6.8K



Ref. No.	Part No.	Description	Remark	Ref. No.	Part No.	Description	Remark
R878	1-218-965-11	METAL CHIP	1/16W	R1441	1-218-965-11	METAL CHIP	1/16W
R879	1-218-965-11	METAL CHIP	1/16W	R1442	1-218-965-11	METAL CHIP	1/16W
R881	1-216-830-11	METAL CHIP	5.6K	R1208	1-218-965-11	METAL CHIP	1.5K
R882	1-218-949-11	METAL CHIP	470	R1209	1-218-965-11	METAL CHIP	10K
R883	1-218-963-11	METAL CHIP	1K	R1210	1-218-957-11	METAL CHIP	2.2K
				R1211	1-218-965-11	METAL CHIP	2.2K
R884	1-216-830-11	METAL CHIP	5.6K	R1234	1-218-963-11	METAL CHIP	1K
R885	1-218-965-11	METAL CHIP	10K	R1212	1-218-965-11	METAL CHIP	10K
R888	1-218-973-11	METAL CHIP	47K	R1223	1-218-965-11	METAL CHIP	10K
R889	1-218-977-11	METAL CHIP	100K	R1231	1-218-965-11	METAL CHIP	10K
R893	1-218-965-11	METAL CHIP	10K	R1234	1-218-963-11	METAL CHIP	1K
R895	1-218-965-11	METAL CHIP	10K	R1235	1-218-963-11	METAL CHIP	1K
R896	1-208-700-11	METAL CHIP	5.1K	R1236	1-218-963-11	METAL CHIP	1K
R897	1-208-700-11	METAL CHIP	5.1K	R1237	1-218-963-11	METAL CHIP	1K
R898	1-208-700-11	METAL CHIP	5.1K	R1258	1-218-965-11	METAL CHIP	10
R899	1-208-700-11	METAL CHIP	5.1K	R1259	1-218-963-11	METAL CHIP	2.2
R919	1-218-960-81	SHORT CHIP	0	R1261	1-218-965-11	METAL CHIP	10K
R921	1-218-965-11	METAL CHIP	10K	R1283	1-218-965-11	METAL CHIP	10K
R922	1-218-965-11	METAL CHIP	10K	R1271	1-216-825-11	METAL CHIP	2.2K
R923	1-218-965-11	METAL CHIP	10K	R1272	1-216-825-11	METAL CHIP	2.2K
R926	1-218-933-11	METAL CHIP	22	R1284	1-218-963-11	METAL CHIP	1K
R927	1-218-933-11	METAL CHIP	22	R1287	1-208-944-11	METAL CHIP	180K
R928	1-218-933-11	METAL CHIP	22	R1289	1-218-978-11	METAL CHIP	120K
R930	1-218-965-11	METAL CHIP	10K	R1301	1-208-911-11	METAL CHIP	10K
R933	1-218-965-11	METAL CHIP	10K	R1302	1-218-965-11	METAL CHIP	15K
R934	1-218-933-11	METAL CHIP	22	R1303	1-218-961-11	METAL CHIP	4.7K
R935	1-218-933-11	METAL CHIP	22	R1305	1-218-929-11	METAL CHIP	10
R936	1-218-965-11	METAL CHIP	10K	R1308	1-208-911-11	METAL CHIP	10K
R937	1-218-933-11	METAL CHIP	22	R1309	1-218-990-81	SHORT CHIP	0
R938	1-218-965-11	METAL CHIP	10K	R1310	1-218-967-11	METAL CHIP	2.2K
R940	1-218-965-11	METAL CHIP	10K	R1311	1-218-961-11	METAL CHIP	4.7K
R941	1-218-965-11	METAL CHIP	10K	R1335	1-218-963-11	METAL CHIP	1K
R942	1-218-965-11	METAL CHIP	10K	R1334	1-208-963-11	METAL CHIP	220K
R948	1-218-965-11	METAL CHIP	10K	R1335	1-218-970-11	METAL CHIP	27K
R953	1-218-944-81	METAL CHIP	100	R1336	1-218-961-11	METAL CHIP	1K
R960	1-218-965-11	METAL CHIP	10K	R1338	1-208-993-11	METAL CHIP	68K
R962	1-218-933-11	METAL CHIP	22	R1339	1-208-963-11	METAL CHIP	680
R963	1-218-933-11	METAL CHIP	22	R1362	1-208-929-11	METAL CHIP	150K
R977	1-218-965-11	METAL CHIP	10K	R1402	1-208-702-11	METAL CHIP	6.2K
R978	1-218-965-11	METAL CHIP	10K	R1403	1-208-905-11	METAL CHIP	5.6K
R101	1-218-929-11	METAL CHIP	10	R1403	1-208-964-81	METAL CHIP	2K
R102	1-208-692-11	METAL CHIP	2.4K	R1404	1-208-863-81	METAL CHIP	680
R103	1-245-567-81	METAL CHIP	49.9	R1405	1-208-677-11	METAL CHIP	660
R104	1-208-911-11	METAL CHIP	10K	R1406	1-218-970-11	METAL CHIP	27K
R105	1-245-567-81	METAL CHIP	49.9	R1407	1-218-961-11	METAL CHIP	4.7K
R106	1-245-567-81	METAL CHIP	49.9	R1408	1-218-961-11	METAL CHIP	220K
R1107	1-245-567-81	METAL CHIP	49.9	R1409	1-218-969-11	METAL CHIP	22K
R1108	1-218-965-11	METAL CHIP	10K	R1410	1-218-963-11	METAL CHIP	1K
R1110	1-218-965-11	METAL CHIP	10K	R1412	1-218-944-81	METAL CHIP	100
R1113	1-218-965-11	METAL CHIP	10K	R1413	1-218-961-11	METAL CHIP	100
R1118	1-218-965-11	METAL CHIP	10K	R1414	1-218-944-81	METAL CHIP	100
R1119	1-218-944-81	METAL CHIP	100	R1417	1-218-944-81	METAL CHIP	100
R1123	1-218-965-11	METAL CHIP	10K	R1418	1-218-944-81	METAL CHIP	100
R1124	1-218-990-81	SHORT CHIP	0	R1419	1-218-969-11	METAL CHIP	3.3K
R1128	1-218-990-81	SHORT CHIP	0	R1420	1-218-977-11	METAL CHIP	100K
R1133	1-218-965-11	METAL CHIP	10K	R1421	1-218-944-81	METAL CHIP	100
R1134	1-218-965-11	METAL CHIP	10K	R1422	1-218-977-11	METAL CHIP	100K
R1135	1-218-965-11	METAL CHIP	10K	R1427	1-218-965-11	METAL CHIP	10K
R1137	1-218-937-11	METAL CHIP	47	R1430	1-218-965-11	METAL CHIP	10K
R1138	1-218-937-11	METAL CHIP	47	R1432	1-218-965-11	METAL CHIP	10K
R1139	1-218-937-11	METAL CHIP	47	R1438	1-218-965-11	METAL CHIP	10K
				R1439	1-218-965-11	METAL CHIP	10K

MB-127

BDP-BX2/S357/S360/S363



Ref. No.	Part No.	Description	Remark
	A-1703-866-A	USB-014 BOARD, COMPLETE (EXCEPT EC1, EC2, CER)	
	A-1703-874-A	USB-014 BOARD, COMPLETE (EC1, EC2, CER) ***** (Ref. No. 201000 Series)	
		< CONNECTOR >	
CN382	1-566-760-11	PIN, CONNECTOR (PC BOARD) 5P	
		< VARISTOR >	
VDR361	1-162-923-11	CERAMIC CHIP 47PF 5% 50V	
		MISCELLANEOUS PARTS *****	
53	1-836-486-11	CABLE FLEXIBLE FLAT (FWF-003)	
Δ 101	1-474-150-11	REGULATOR, SWITCHING (SRV2180UC) (BX2/S360; US, CMD)	
Δ 101	1-474-150-31	REGULATOR, SWITCHING (SRV2182EQ) (S357/ S360; EC1, EC2, CER, KR, AUS, CH, RU/S363)	
Δ 101	1-474-150-41	REGULATOR, SWITCHING (SRV2183WV) (S360; E, HK, EA, TH, TW, BR, PX)	
154	1-836-504-11	CABLE, FLEXIBLE FLAT	
Δ 155	8-820-424-02	DEVICE OPTICAL KEM-430AAAQ2RP	
M1401	1-787-760-21	FAN, D.C.	

The components identified by mark  
Δ or dotted line with mark Δ are  
critical for safety.  
Replace only with part number  
specified.

Les composants identifiés par une  
marque Δ, sont critiques pour la  
sécurité.  
Ne les remplacer que par une pièce  
portant le numéro spécifié.

