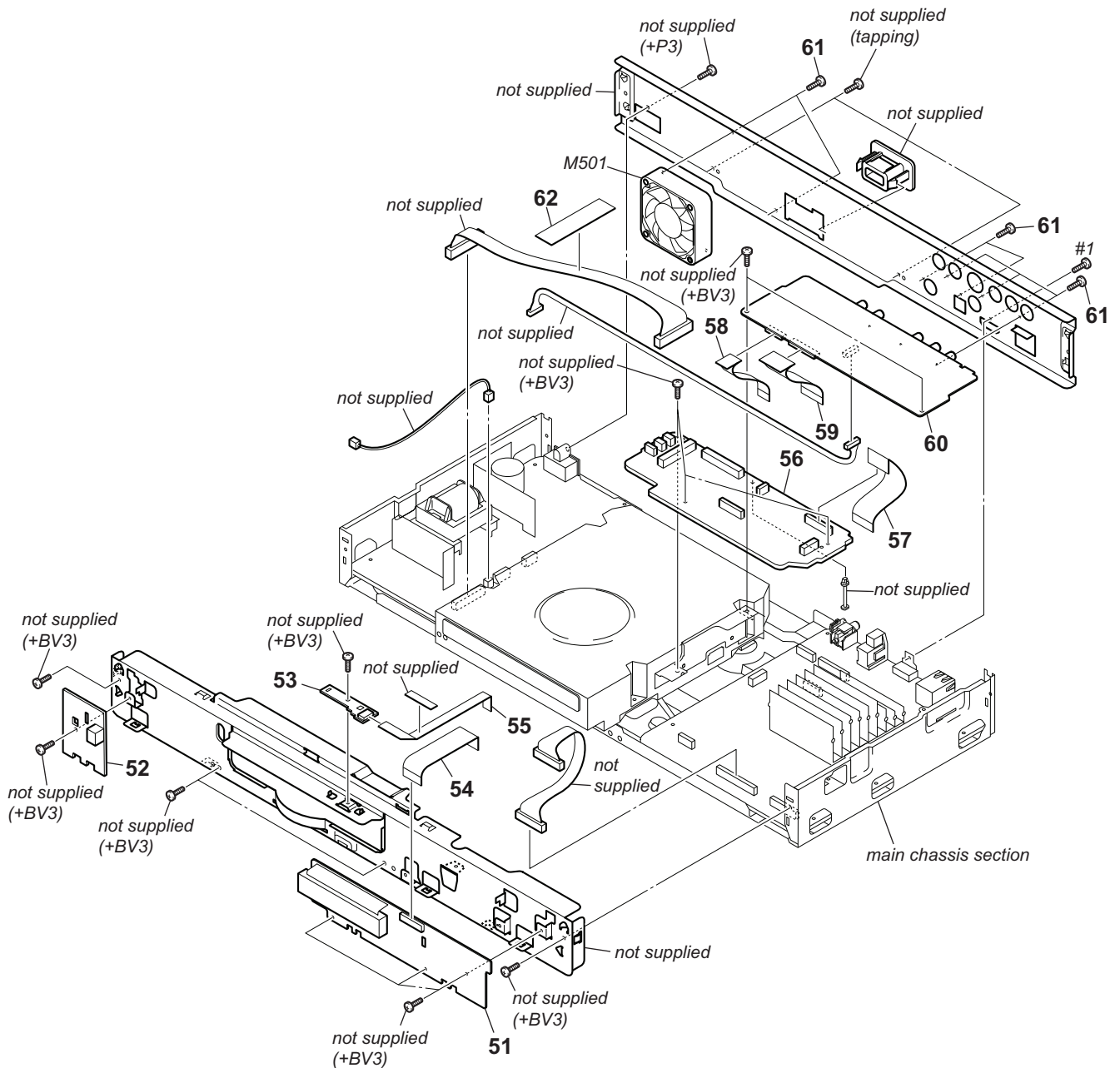
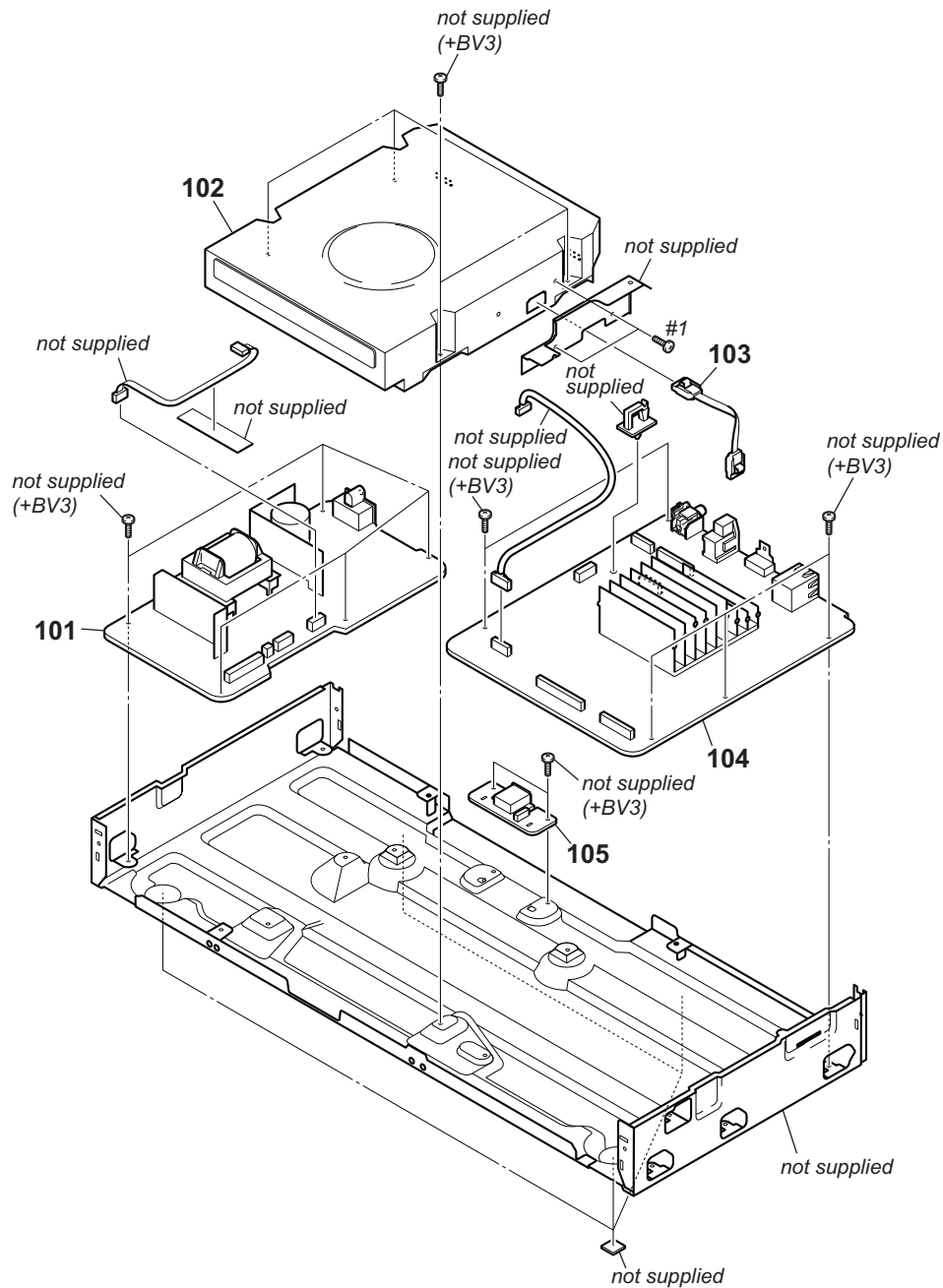


9-1-2. FRONT/REAR CHASSIS SECTION



Ref. No.	Part No.	Description	Remark	Ref. No.	Part No.	Description	Remark
51	A-1540-040-A	FR-294 BOARD, COMPLETE		58	1-835-292-11	CABLE, FLEXIBLE FLAT (FMA-021)	
52	A-1540-042-A	FL-187 BOARD, COMPLETE		59	1-835-296-11	CABLE, FLEXIBLE FLAT (FMA-022)	
53	A-1540-044-A	FC-096 BOARD, COMPLETE		60	A-1540-036-A	AV-123 BOARD, COMPLETE	
54	1-835-294-11	CABLE, FLEXIBLE FLAT (FFI-001)		61	3-077-331-31	+BV3 (3-CR)	
55	1-835-295-11	CABLE, FLEXIBLE FLAT (FFI-002)		62	3-087-220-01	TAPE, NON-HALOGENE	
56	A-1540-038-A	IFD-003 BOARD, COMPLETE		M501	1-787-760-11	FAN, D.C.	
57	1-835-293-11	CABLE, FLEXIBLE FLAT (FMI-005)		#1	7-682-544-09	+B 3X3	

9-1-3. MAIN CHASSIS SECTION



The components identified by mark \triangle or dotted line with mark \triangle are critical for safety. Replace only with part number specified.

Les composants identifiés par une marque \triangle sont critiques pour la sécurité. Ne les remplacer que par une pièce portant le numéro spécifié.

Ref. No.	Part No.	Description	Remark	Ref. No.	Part No.	Description	Remark
\triangle 101	1-474-088-11	REGULATOR, SWITCHING (ZSSR774MA)	(US, CND)	\triangle 104	A-1545-414-A	MB-124 BOARD, COMPLETE (AEP, UK)	
\triangle 101	1-474-088-31	REGULATOR, SWITCHING (ZSSR774HA)	(AEP, UK, AUS, RUS, KR)	\triangle 104	A-1545-415-A	MB-124 BOARD, COMPLETE (RUS)	
\triangle 101	1-474-088-41	REGULATOR, SWITCHING (ZSSR774IA)	(E, HK, TW, TH)	\triangle 104	A-1545-416-A	MB-124 BOARD, COMPLETE (AUS)	
\triangle 101	1-474-088-51	REGULATOR, SWITCHING (ZSSR774CA)	(CH)	\triangle 104	A-1545-417-A	MB-124 BOARD, COMPLETE (E)	
\triangle 102	A-1540-573-A	DRIVE (SERVICE USE), BD		\triangle 104	A-1545-418-A	MB-124 BOARD, COMPLETE (TW, KR)	
103	1-966-155-11	HARNESS (SAT-003)		\triangle 104	A-1545-419-A	MB-124 BOARD, COMPLETE (HK, TH)	
\triangle 104	A-1545-412-A	MB-124 BOARD, COMPLETE (US, CND)		\triangle 104	A-1545-420-A	MB-124 BOARD, COMPLETE (CH)	
				105	A-1540-046-A	USB-008 BOARD, COMPLETE	
				#1	7-682-544-09	+B 3X3	

9-1-4. ACCESSORIES

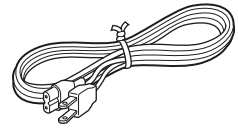
151
Remote Commander
(RMT-B102A/B102P)
(S350)



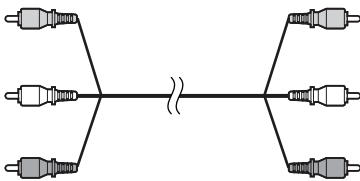
152
Remote Commander
(RMT-B103A)
(BX1)



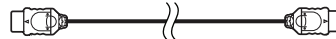
153
AC Power Cord



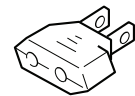
154
Audio/Video Cable (Phono Plug x3)



155
HDMI Cable
(S350: E/BX1)



156
Conversion Adaptor (E)



<p>The components identified by mark Δ or dotted line with mark Δ are critical for safety. Replace only with part number specified.</p>	<p>Les composants identifiés par une marque Δ sont critiques pour la sécurité. Ne les remplacer que par une pièce portant le numéro spécifié.</p>
---	---

Ref. No.	Part No.	Description	Remark	Ref. No.	Part No.	Description	Remark
151	1-480-649-11	REMOTE COMMANDER (RMT-B102A) (S350: US, CND, E)		*	3-287-660-51	MANUAL, INSTRUCTION (SPANISH) (S350: E)	
151	1-480-651-11	REMOTE COMMANDER (RMT-B102P) (S350: EXCEPT US, CND, E)		*	3-287-660-61	MANUAL, INSTRUCTION (ENGLISH) (S350: HK, TH)	
152	1-480-740-11	REMOTE COMMANDER (RMT-B103A) (BX1)		*	3-287-660-71	MANUAL, INSTRUCTION (TRADITIONAL CHINESE) (S350: HK)	
Δ 153	1-555-074-52	CORD, POWER (AUS)		*	3-287-660-81	MANUAL, INSTRUCTION (SIMPLIFIED CHINESE) (S350: CH)	
Δ 153	1-575-131-82	CORD, POWER (AEP, E, RUS)		*	3-452-775-11	MANUAL, INSTRUCTION (ENGLISH) (S350: UK)	
Δ 153	1-782-476-13	CORD, POWER (CH)		*	3-452-775-21	MANUAL, INSTRUCTION (FRENCH) (S350: AEP)	
Δ 153	1-823-701-11	CORD, POWER (US, CND)		*	3-452-775-31	MANUAL, INSTRUCTION (GERMAN) (S350: AEP)	
Δ 153	1-830-337-11	POWER-SUPPLY CORD (TW)		*	3-452-775-41	MANUAL, INSTRUCTION (ITALIAN) (S350: AEP)	
Δ 153	1-831-905-21	POWER-SUPPLY CORD (UK, HK)		*	3-452-775-51	MANUAL, INSTRUCTION (DUTCH) (S350: AEP)	
Δ 153	1-833-892-31	CORD SET, POWER SUPPLY (KR)		*	3-452-776-11	MANUAL, INSTRUCTION (SPANISH) (S350: AEP)	
Δ 153	1-835-214-11	CORD, POWER (TH)		*	3-452-776-21	MANUAL, INSTRUCTION (PORTUGUESE) (S350: AEP)	
154	1-828-145-11	CORD, CONNECTION (AV)					
155	1-834-169-21	CORD WITH CONNECTOR (HDMI CABLE) (S350: E/BX1)					
Δ 156	1-569-008-22	ADAPTOR, CONVERSION 2P (E)		*	3-452-776-31	MANUAL, INSTRUCTION (SWEDISH) (S350: AEP)	
*	3-287-660-11	MANUAL, INSTRUCTION (ENGLISH) (S350: US, CND)		*	3-452-776-41	MANUAL, INSTRUCTION (DANISH) (S350: AEP)	
*	3-287-660-21	MANUAL, INSTRUCTION (FRENCH) (S350: CND)		*	3-452-776-51	MANUAL, INSTRUCTION (FINNISH) (S350: AEP)	
*	3-287-660-31	MANUAL, INSTRUCTION (KOREAN) (S350: KR)		*	4-120-892-61	MANUAL, INSTRUCTION (RUSSIAN) (S350: RUS)	
*	3-287-660-41	MANUAL, INSTRUCTION (TRADITIONAL CHINESE) (S350: TW)		*	3-452-777-11	MANUAL, INSTRUCTION (ENGLISH) (BX1)	
				*	3-452-777-21	MANUAL, INSTRUCTION (FRENCH) (BX1: CND)	
				*	3-878-575-11	MANUAL, INSTRUCTION (ENGLISH) (S350: AUS)	

9-2. ELECTRICAL PARTS LIST

NOTE:

- Due to standardization, replacements in the parts list may be different from the parts specified in the diagrams or the components used on the set.
- -XX and -X mean standardized parts, so they may have some difference from the original one.
- RESISTORS
All resistors are in ohms.
METAL: Metal-film resistor.
METAL OXIDE: Metal oxide-film resistor.
F: nonflammable
- Items marked “*” are not stocked since they are seldom required for routine service.
Some delay should be anticipated when ordering these items.

- SEMICONDUCTORS
In each case, u: μ , for example:
uA. . : μ A. . uPA. . : μ PA. .
uPB. . : μ PB. . uPC. . : μ PC. .
uPD. . : μ PD. .
- CAPACITORS
uF: μ F
- COILS
uH: μ H
- Abbreviation
AUS : Australian model
CH : Chinese model
CND : Canadian model
HK : Hong Kong model
KR : Korea model
RUS : Russian model
TH : Thai model
TW : Taiwan model

The components identified by mark \triangle or dotted line with mark \triangle are critical for safety.
Replace only with part number specified.

Les composants identifiés par une marque \triangle sont critiques pour la sécurité.
Ne les remplacer que par une pièce portant le numéro spécifié.

When indicating parts by reference number, please include the board.

The components identified by mark \square contain confidential information.
Strictly follow the instructions whenever the components are repaired and/or replaced.

Les composants identifiés par la marque \square contiennent des informations confidentielles.
Suivre scrupuleusement les instructions chaque fois qu'un composant est remplacé et / ou réparé.

Ref. No.	Part No.	Description	Remark	Ref. No.	Part No.	Description	Remark
	A-1540-036-A	AV-123 BOARD, COMPLETE ***** (Ref. No. 20,000 Series)		C217	1-100-566-91	CERAMIC CHIP 0.1uF 10%	25V
		< CAPACITOR >		C218	1-100-566-91	CERAMIC CHIP 0.1uF 10%	25V
C002	1-127-715-11	CERAMIC CHIP 0.22uF 10%	16V	C219	1-100-566-91	CERAMIC CHIP 0.1uF 10%	25V
C003	1-127-715-11	CERAMIC CHIP 0.22uF 10%	16V	C220	1-126-947-11	ELECT 47uF 20%	35V
C004	1-126-947-11	ELECT 47uF 20%	35V	C221	1-100-566-91	CERAMIC CHIP 0.1uF 10%	25V
C005	1-126-947-11	ELECT 47uF 20%	35V	C222	1-100-566-91	CERAMIC CHIP 0.1uF 10%	25V
C006	1-162-964-11	CERAMIC CHIP 0.001uF 10%	50V	C223	1-100-566-91	CERAMIC CHIP 0.1uF 10%	25V
C011	1-127-715-11	CERAMIC CHIP 0.22uF 10%	16V	C224	1-100-566-91	CERAMIC CHIP 0.1uF 10%	25V
C012	1-126-964-11	ELECT 10uF 20%	50V	C225	1-100-566-91	CERAMIC CHIP 0.1uF 10%	25V
C016	1-165-908-11	CERAMIC CHIP 1uF 10%	10V	C226	1-126-947-11	ELECT 47uF 20%	35V
C030	1-164-173-11	CERAMIC CHIP 0.0039uF 10%	50V	C227	1-107-826-11	CERAMIC CHIP 0.1uF 10%	16V
C031	1-164-173-11	CERAMIC CHIP 0.0039uF 10%	50V			< CONNECTOR >	
C040	1-164-315-11	CERAMIC CHIP 470PF 5%	50V	CN203	1-821-773-51	CONNECTOR, FFC/FPC 21P	
C041	1-164-315-11	CERAMIC CHIP 470PF 5%	50V			< DIODE >	
C046	1-100-566-91	CERAMIC CHIP 0.1uF 10%	25V	D001	8-719-914-43	DIODE DAN202K	
C051	1-164-315-11	CERAMIC CHIP 470PF 5%	50V	D002	8-719-988-61	DIODE 1SS355TE-17	
C056	1-164-315-11	CERAMIC CHIP 470PF 5%	50V	D203	8-719-067-40	DIODE STZ6.8N-T146	
C061	1-126-947-11	ELECT 47uF 20%	35V	D205	8-719-067-40	DIODE STZ6.8N-T146	
C066	1-126-947-11	ELECT 47uF 20%	35V	D206	8-719-067-40	DIODE STZ6.8N-T146	
C071	1-100-566-91	CERAMIC CHIP 0.1uF 10%	25V	D208	8-719-067-40	DIODE STZ6.8N-T146	
C080	1-164-230-11	CERAMIC CHIP 220PF 5%	50V	D209	8-719-067-40	DIODE STZ6.8N-T146	
C081	1-164-230-11	CERAMIC CHIP 220PF 5%	50V	D211	8-719-067-40	DIODE STZ6.8N-T146	
C082	1-126-934-11	ELECT 220uF 20%	16V			< IC >	
C202	1-100-717-91	CERAMIC CHIP 1uF 16V		IC001	6-705-337-01	IC TK11150CSCL-G	
C203	1-107-726-91	CERAMIC CHIP 0.01uF 10%	16V	IC002	6-702-630-01	IC AK4382AVTN-E2	
C204	1-100-717-91	CERAMIC CHIP 1uF 16V		IC008	8-759-656-83	IC NJM4580MD-(TE2)	
C205	1-126-947-11	ELECT 47uF 20%	35V	IC202	6-702-302-01	IC TK11133CSCL-G	
C206	1-107-826-11	CERAMIC CHIP 0.1uF 10%	16V	IC205	8-759-667-17	IC L79M05TLL-SONY-TL-E	
C207	1-100-566-91	CERAMIC CHIP 0.1uF 10%	25V	IC206	6-712-336-01	IC NJM2564AV (TE2)	
C208	1-126-947-11	ELECT 47uF 20%	35V			< JACK >	
C209	1-126-964-11	ELECT 10uF 20%	50V	J001	1-815-894-11	JACK, PIN (2P) (LINE OUT (AUDIO L/R))	
C210	1-107-826-11	CERAMIC CHIP 0.1uF 10%	16V	J201	1-793-483-11	PHONO JACK 3P (COMPONENT VIDEO OUT (Pr/Pb/Y))	
C211	1-100-566-91	CERAMIC CHIP 0.1uF 10%	25V	J202	1-780-641-11	JACK BLOCK, PIN (LINE OUT (S VIDEO/VIDEO))	
C212	1-100-566-91	CERAMIC CHIP 0.1uF 10%	25V				
C213	1-126-947-11	ELECT 47uF 20%	35V				
C214	1-126-947-11	ELECT 47uF 20%	35V				
C215	1-100-566-91	CERAMIC CHIP 0.1uF 10%	25V				
C216	1-100-566-91	CERAMIC CHIP 0.1uF 10%	25V				

Ref. No.	Part No.	Description	Remark	Ref. No.	Part No.	Description	Remark
		< COIL >					
L201	1-469-967-21	INDUCTOR 10uH		R087	1-218-674-11	METAL CHIP 180 0.5% 1/10W	
L202	1-469-967-21	INDUCTOR 10uH		R096	1-218-674-11	METAL CHIP 180 0.5% 1/10W	
L203	1-469-967-21	INDUCTOR 10uH		R097	1-218-710-11	METAL CHIP 5.6K 0.5% 1/10W	
L204	1-469-967-21	INDUCTOR 10uH		R106	1-218-710-11	METAL CHIP 5.6K 0.5% 1/10W	
L205	1-469-967-21	INDUCTOR 10uH					
		< FUSE >					
△ PS101	1-576-596-21	FUSE 1A 32V		R107	1-218-674-11	METAL CHIP 180 0.5% 1/10W	
△ PS102	1-576-863-21	FUSE 0.5A 32V		R116	1-216-817-11	METAL CHIP 470 5% 1/10W	
△ PS201	1-576-596-21	FUSE 1A 32V		R117	1-216-817-11	METAL CHIP 470 5% 1/10W	
		< TRANSISTOR >		R126	1-216-841-11	METAL CHIP 47K 5% 1/10W	
Q001	8-729-901-88	TRANSISTOR 2SC2411K-T-146-CR		R127	1-216-841-11	METAL CHIP 47K 5% 1/10W	
Q002	8-729-045-17	TRANSISTOR 2SB1561T100Q					
Q003	8-729-120-28	TRANSISTOR 2SC1623-L5L6		R136	1-216-829-11	METAL CHIP 4.7K 5% 1/10W	
Q004	8-729-029-14	TRANSISTOR DTC144EUA-T106		R137	1-216-829-11	METAL CHIP 4.7K 5% 1/10W	
Q008	8-729-029-07	TRANSISTOR DTC124TUA-T106		R146	1-216-817-11	METAL CHIP 470 5% 1/10W	
Q012	8-729-010-05	TRANSISTOR MSB709-RT1		R147	1-216-817-11	METAL CHIP 470 5% 1/10W	
Q024	6-551-287-01	TRANSISTOR 2SD2704K-T146		R148	1-216-845-11	METAL CHIP 100K 5% 1/10W	
Q025	6-551-287-01	TRANSISTOR 2SD2704K-T146					
Q026	8-729-028-73	TRANSISTOR DTA114EUA-T106		R158	1-216-295-91	SHORT CHIP 0	
Q201	8-729-028-83	TRANSISTOR DTA124EUA-T106		R160	1-216-295-91	SHORT CHIP 0	
Q202	8-729-010-29	TRANSISTOR MSD601-RST1		R163	1-216-864-11	SHORT CHIP 0	
Q203	8-729-010-29	TRANSISTOR MSD601-RST1		R164	1-216-864-11	SHORT CHIP 0	
Q204	8-729-010-29	TRANSISTOR MSD601-RST1		R165	1-216-864-11	SHORT CHIP 0	
Q205	8-729-010-29	TRANSISTOR MSD601-RST1					
Q206	8-729-010-29	TRANSISTOR MSD601-RST1		R166	1-216-864-11	SHORT CHIP 0	
Q207	8-729-921-80	TRANSISTOR 2SD1781K-T146-QR		R167	1-216-864-11	SHORT CHIP 0	
Q212	8-729-028-83	TRANSISTOR DTA124EUA-T106		R168	1-216-864-11	SHORT CHIP 0	
Q213	8-729-921-80	TRANSISTOR 2SD1781K-T146-QR		R201	1-216-833-11	METAL CHIP 10K 5% 1/10W	
Q214	8-729-024-88	TRANSISTOR MUN2212T1		R202	1-216-821-11	METAL CHIP 1K 5% 1/10W	
		< RESISTOR >					
R001	1-216-833-11	METAL CHIP 10K 5% 1/10W		R208	1-216-827-11	METAL CHIP 3.3K 5% 1/10W	
R002	1-216-833-11	METAL CHIP 10K 5% 1/10W		R210	1-216-833-11	METAL CHIP 10K 5% 1/10W	
R003	1-216-830-11	METAL CHIP 5.6K 5% 1/10W		R211	1-216-801-11	METAL CHIP 22 5% 1/10W	
R004	1-216-809-11	METAL CHIP 100 5% 1/10W		R212	1-216-801-11	METAL CHIP 22 5% 1/10W	
R005	1-216-809-11	METAL CHIP 100 5% 1/10W		R213	1-216-801-11	METAL CHIP 22 5% 1/10W	
R006	1-216-809-11	METAL CHIP 100 5% 1/10W					
R007	1-216-809-11	METAL CHIP 100 5% 1/10W		R214	1-216-801-11	METAL CHIP 22 5% 1/10W	
R008	1-216-809-11	METAL CHIP 100 5% 1/10W		R215	1-216-801-11	METAL CHIP 22 5% 1/10W	
R009	1-216-830-11	METAL CHIP 5.6K 5% 1/10W		R219	1-216-819-11	METAL CHIP 680 5% 1/10W	
R010	1-216-833-11	METAL CHIP 10K 5% 1/10W		R220	1-216-819-11	METAL CHIP 680 5% 1/10W	
R012	1-216-829-11	METAL CHIP 4.7K 5% 1/10W		R221	1-216-819-11	METAL CHIP 680 5% 1/10W	
R013	1-216-841-11	METAL CHIP 47K 5% 1/10W					
R014	1-216-845-11	METAL CHIP 100K 5% 1/10W		R222	1-216-819-11	METAL CHIP 680 5% 1/10W	
R015	1-216-821-11	METAL CHIP 1K 5% 1/10W		R223	1-216-819-11	METAL CHIP 680 5% 1/10W	
R016	1-216-817-11	METAL CHIP 470 5% 1/10W		R232	1-216-864-11	SHORT CHIP 0	
R017	1-216-829-11	METAL CHIP 4.7K 5% 1/10W		R233	1-216-864-11	SHORT CHIP 0	
R030	1-216-833-11	METAL CHIP 10K 5% 1/10W		R234	1-216-825-11	METAL CHIP 2.2K 5% 1/10W	
R040	1-216-833-11	METAL CHIP 10K 5% 1/10W					
R044	1-216-833-11	METAL CHIP 10K 5% 1/10W		R235	1-216-809-11	METAL CHIP 100 5% 1/10W	
R062	1-218-709-11	METAL CHIP 5.1K 0.5% 1/10W		R237	1-218-285-11	METAL CHIP 75 5% 1/10W	
R063	1-218-709-11	METAL CHIP 5.1K 0.5% 1/10W		R239	1-218-285-11	METAL CHIP 75 5% 1/10W	
R064	1-218-709-11	METAL CHIP 5.1K 0.5% 1/10W		R241	1-218-285-11	METAL CHIP 75 5% 1/10W	
R065	1-218-709-11	METAL CHIP 5.1K 0.5% 1/10W		R242	1-218-285-11	METAL CHIP 75 5% 1/10W	
R076	1-218-710-11	METAL CHIP 5.6K 0.5% 1/10W					
R077	1-218-710-11	METAL CHIP 5.6K 0.5% 1/10W		R243	1-218-285-11	METAL CHIP 75 5% 1/10W	
R086	1-218-674-11	METAL CHIP 180 0.5% 1/10W		R244	1-218-285-11	METAL CHIP 75 5% 1/10W	
				R260	1-216-864-11	SHORT CHIP 0	
				R263	1-216-864-11	SHORT CHIP 0	
				R265	1-216-833-11	METAL CHIP 10K 5% 1/10W	
				R267	1-216-827-11	METAL CHIP 3.3K 5% 1/10W	
				R268	1-216-864-11	SHORT CHIP 0	
				R269	1-216-864-11	SHORT CHIP 0	

The components identified by mark △ or dotted line with mark △ are critical for safety.
Replace only with part number specified.

Les composants identifiés par une marque △ sont critiques pour la sécurité.
Ne les remplacer que par une pièce portant le numéro spécifié.

Ref. No.	Part No.	Description	Remark	Ref. No.	Part No.	Description	Remark
C503	1-100-591-91	CERAMIC CHIP 1uF 10%	25V	R408	1-216-849-11	METAL CHIP 220K 5%	1/10W
C505	1-162-927-11	CERAMIC CHIP 100PF 5%	50V	R409	1-216-829-11	METAL CHIP 4.7K 5%	1/10W
C507	1-162-970-11	CERAMIC CHIP 0.01uF 10%	25V	R410	1-216-837-11	METAL CHIP 22K 5%	1/10W
C601	1-135-960-91	CERAMIC CHIP 10uF 10%	25V	R411	1-216-809-11	METAL CHIP 100 5%	1/10W
C603	1-100-717-91	CERAMIC CHIP 1uF 10%	16V	R412	1-216-809-11	METAL CHIP 100 5%	1/10W
C604	1-135-960-91	CERAMIC CHIP 10uF 10%	25V	R414	1-216-809-11	METAL CHIP 100 5%	1/10W
C605	1-127-715-11	CERAMIC CHIP 0.22uF 10%	16V	R415	1-216-809-11	METAL CHIP 100 5%	1/10W
C607	1-107-726-91	CERAMIC CHIP 0.01uF 10%	16V	R417	1-216-809-11	METAL CHIP 100 5%	1/10W
C608	1-100-717-91	CERAMIC CHIP 1uF 10%	16V	R418	1-216-845-11	METAL CHIP 100K 5%	1/10W
C609	1-162-970-11	CERAMIC CHIP 0.01uF 10%	25V	R419	1-216-809-11	METAL CHIP 100 5%	1/10W
C610	1-164-227-11	CERAMIC CHIP 0.022uF 10%	25V	R420	1-216-864-11	SHORT CHIP 0	
C619	1-135-960-91	CERAMIC CHIP 10uF 10%	25V	R422	1-216-864-11	SHORT CHIP 0	
C621	1-135-960-91	CERAMIC CHIP 10uF 10%	25V	R423	1-216-809-11	METAL CHIP 100 5%	1/10W
C622	1-127-820-11	CERAMIC CHIP 4.7uF 10%	16V	R424	1-216-833-11	METAL CHIP 10K 5%	1/10W
C624	1-162-970-11	CERAMIC CHIP 0.01uF 10%	25V	R425	1-216-864-11	SHORT CHIP 0	
C626	1-162-970-11	CERAMIC CHIP 0.01uF 10%	25V	R426	1-216-809-11	METAL CHIP 100 5%	1/10W
C627	1-164-227-11	CERAMIC CHIP 0.022uF 10%	25V	R427	1-216-833-11	METAL CHIP 10K 5%	1/10W
C628	1-100-159-91	CERAMIC CHIP 22uF 10%	6.3V	R428	1-216-833-11	METAL CHIP 10K 5%	1/10W
C630	1-100-159-91	CERAMIC CHIP 22uF 10%	6.3V	R429	1-216-864-11	SHORT CHIP 0	
C631	1-100-159-91	CERAMIC CHIP 22uF 10%	6.3V	R430	1-216-809-11	METAL CHIP 100 5%	1/10W
C632	1-100-159-91	CERAMIC CHIP 22uF 10%	6.3V	R431	1-216-864-11	SHORT CHIP 0	
C633	1-127-820-11	CERAMIC CHIP 4.7uF 10%	16V	R432	1-216-809-11	METAL CHIP 100 5%	1/10W
< CONNECTOR >				R435	1-216-845-11	METAL CHIP 100K 5%	1/10W
CN101	1-815-954-21	PIN, CONNECTOR (PC BOARD) 13P		R439	1-216-833-11	METAL CHIP 10K 5%	1/10W
CN102	1-816-587-21	PIN, CONNECTOR (PC BOARD) 15P		R442	1-216-845-11	METAL CHIP 100K 5%	1/10W
CN402	1-764-177-11	PIN, CONNECTOR (SMD) (1.5MM) 7P		R443	1-216-833-11	METAL CHIP 10K 5%	1/10W
CN501	1-691-550-11	PIN, CONNECTOR (1.5MM) (SMD) 3P		R445	1-216-845-11	METAL CHIP 100K 5%	1/10W
CN503	1-820-117-51	CONNECTOR, FFC/FPC 19P		R448	1-216-809-11	METAL CHIP 100 5%	1/10W
CN504	1-820-116-51	CONNECTOR, FFC/FPC 17P		R449	1-216-809-11	METAL CHIP 100 5%	1/10W
< DIODE >				R450	1-218-857-11	METAL CHIP 2.7K 0.5%	1/10W
D606	8-719-083-60	DIODE UDZSNPTE-174.7B		R451	1-216-864-11	SHORT CHIP 0	
< IC >				R452	1-216-845-11	METAL CHIP 100K 5%	1/10W
IC402	6-808-473-01	IC R5F212A7SNA06FA		R453	1-216-845-11	METAL CHIP 100K 5%	1/10W
IC501	6-707-208-01	IC TK11100CSCB-G		R454	1-216-864-11	SHORT CHIP 0	
IC601	6-702-302-01	IC TK11133CSCL-G		R455	1-216-845-11	METAL CHIP 100K 5%	1/10W
IC602	6-711-586-01	IC MP2303DN-LF-Z		R457	1-216-809-11	METAL CHIP 100 5%	1/10W
IC603	6-711-586-01	IC MP2303DN-LF-Z		R458	1-216-864-11	SHORT CHIP 0	
IC604	6-711-050-01	IC S-1170B50UC-0UJTFG		R461	1-216-809-11	METAL CHIP 100 5%	1/10W
< FUSE >				R462	1-216-809-11	METAL CHIP 100 5%	1/10W
△ PS601	1-576-415-11	FUSE, MICRO (1608 TYPE)		R463	1-216-809-11	METAL CHIP 100 5%	1/10W
△ PS602	1-576-415-11	FUSE, MICRO (1608 TYPE)		R464	1-216-809-11	METAL CHIP 100 5%	1/10W
△ PS603	1-576-603-21	FUSE 3.15A 24V		R465	1-216-833-11	METAL CHIP 10K 5%	1/10W
< TRANSISTOR >				R466	1-216-833-11	METAL CHIP 10K 5%	1/10W
Q501	8-729-421-19	TRANSISTOR UN2213		R467	1-216-833-11	METAL CHIP 10K 5%	1/10W
Q503	8-729-421-19	TRANSISTOR UN2213		R468	1-216-833-11	METAL CHIP 10K 5%	1/10W
Q505	8-729-037-53	TRANSISTOR 2SB1462J-QR (TX).SO		R469	1-216-833-11	METAL CHIP 10K 5%	1/10W
Q507	8-729-907-00	TRANSISTOR DTC114EU		R470	1-216-845-11	METAL CHIP 100K 5%	1/10W
Q509	8-729-028-97	TRANSISTOR DTC114TUA-T106		R471	1-216-845-11	METAL CHIP 100K 5%	1/10W
Q510	8-729-028-97	TRANSISTOR DTC114TUA-T106		R472	1-216-849-11	METAL CHIP 220K 5%	1/10W
< RESISTOR >				R501	1-218-899-11	METAL CHIP 150K 0.5%	1/16W
R405	1-216-864-11	SHORT CHIP 0		R502	1-218-878-11	METAL CHIP 20K 0.5%	1/10W
R406	1-216-833-11	METAL CHIP 10K 5%	1/10W	R503	1-218-867-11	METAL CHIP 6.8K 0.5%	1/10W
R407	1-218-881-11	METAL CHIP 27K 0.5%	1/10W	R504	1-218-865-11	METAL CHIP 5.6K 0.5%	1/10W
				R509	1-216-864-11	SHORT CHIP 0	
				R511	1-216-829-11	METAL CHIP 4.7K 5%	1/10W

The components identified by mark △ or dotted line with mark △ are critical for safety. Replace only with part number specified.

Les composants identifiés par une marque △ sont critiques pour la sécurité. Ne les remplacer que par une pièce portant le numéro spécifié.

Ref. No.	Part No.	Description	Remark	Ref. No.	Part No.	Description	Remark
C209	1-164-937-11	CERAMIC CHIP	0.001uF 10% 50V	C276	1-164-937-11	CERAMIC CHIP	0.001uF 10% 50V
C210	1-164-937-11	CERAMIC CHIP	0.001uF 10% 50V	C277	1-164-937-11	CERAMIC CHIP	0.001uF 10% 50V
C211	1-164-937-11	CERAMIC CHIP	0.001uF 10% 50V	C301	1-165-989-11	CERAMIC CHIP	10uF 10% 6.3V
C212	1-164-937-11	CERAMIC CHIP	0.001uF 10% 50V	C302	1-165-989-11	CERAMIC CHIP	10uF 10% 6.3V
C213	1-164-937-11	CERAMIC CHIP	0.001uF 10% 50V	C303	1-164-943-81	CERAMIC CHIP	0.01uF 10% 16V
C214	1-164-937-11	CERAMIC CHIP	0.001uF 10% 50V	C304	1-164-943-81	CERAMIC CHIP	0.01uF 10% 16V
C215	1-164-937-11	CERAMIC CHIP	0.001uF 10% 50V	C305	1-165-989-11	CERAMIC CHIP	10uF 10% 6.3V
C216	1-112-717-91	CERAMIC CHIP	1uF 10% 6.3V	C306	1-165-989-11	CERAMIC CHIP	10uF 10% 6.3V
C217	1-125-777-11	CERAMIC CHIP	0.1uF 10% 10V	C313	1-115-467-11	CERAMIC CHIP	0.22uF 10% 10V
C218	1-125-777-11	CERAMIC CHIP	0.1uF 10% 10V	C314	1-165-908-11	CERAMIC CHIP	1uF 10% 10V
C219	1-125-777-11	CERAMIC CHIP	0.1uF 10% 10V	C315	1-100-567-81	CERAMIC CHIP	0.01uF 10% 25V
C220	1-125-777-11	CERAMIC CHIP	0.1uF 10% 10V	C316	1-115-467-11	CERAMIC CHIP	0.22uF 10% 10V
C221	1-107-826-11	CERAMIC CHIP	0.1uF 10% 16V	C317	1-165-908-11	CERAMIC CHIP	1uF 10% 10V
C222	1-100-909-11	CERAMIC CHIP	10uF 10% 6.3V	C340	1-119-923-11	CERAMIC CHIP	0.047uF 10% 10V
C223	1-100-506-91	CERAMIC CHIP	1uF 20% 6.3V	C344	1-164-870-11	CERAMIC CHIP	68PF 5% 50V
C224	1-164-937-11	CERAMIC CHIP	0.001uF 10% 50V	C345	1-127-772-81	CERAMIC CHIP	0.033uF 10% 10V
C225	1-164-937-11	CERAMIC CHIP	0.001uF 10% 50V	C346	1-107-819-11	CERAMIC CHIP	0.022uF 10% 16V
C226	1-164-937-11	CERAMIC CHIP	0.001uF 10% 50V	* C347	1-112-833-11	ELECT CHIP	68uF 20% 16V
C227	1-164-937-11	CERAMIC CHIP	0.001uF 10% 50V	C349	1-127-738-91	CERAMIC CHIP	4.7uF 10% 25V
C228	1-164-937-11	CERAMIC CHIP	0.001uF 10% 50V	C350	1-127-738-91	CERAMIC CHIP	4.7uF 10% 25V
C229	1-164-937-11	CERAMIC CHIP	0.001uF 10% 50V	C351	1-164-937-11	CERAMIC CHIP	0.001uF 10% 50V
C230	1-164-937-11	CERAMIC CHIP	0.001uF 10% 50V	C352	1-164-937-11	CERAMIC CHIP	0.001uF 10% 50V
C231	1-164-937-11	CERAMIC CHIP	0.001uF 10% 50V	C353	1-127-738-91	CERAMIC CHIP	4.7uF 10% 25V
C232	1-164-937-11	CERAMIC CHIP	0.001uF 10% 50V	C354	1-127-738-91	CERAMIC CHIP	4.7uF 10% 25V
C233	1-164-937-11	CERAMIC CHIP	0.001uF 10% 50V	C355	1-112-300-91	CERAMIC CHIP	4.7uF 10% 10V
C234	1-164-937-11	CERAMIC CHIP	0.001uF 10% 50V	C356	1-127-573-11	CERAMIC CHIP	1uF 10% 16V
C235	1-164-937-11	CERAMIC CHIP	0.001uF 10% 50V	C357	1-107-826-11	CERAMIC CHIP	0.1uF 10% 16V
C236	1-164-937-11	CERAMIC CHIP	0.001uF 10% 50V	C358	1-107-826-11	CERAMIC CHIP	0.1uF 10% 16V
C237	1-164-937-11	CERAMIC CHIP	0.001uF 10% 50V	C361	1-100-159-91	CERAMIC CHIP	22uF 10% 6.3V
C238	1-164-937-11	CERAMIC CHIP	0.001uF 10% 50V	C362	1-112-786-11	ELECT CHIP	330uF 20% 4V
C240	1-125-777-11	CERAMIC CHIP	0.1uF 10% 10V	C363	1-100-159-91	CERAMIC CHIP	22uF 10% 6.3V
C241	1-100-506-91	CERAMIC CHIP	1uF 20% 6.3V	C364	1-112-786-11	ELECT CHIP	330uF 20% 4V
C242	1-164-937-11	CERAMIC CHIP	0.001uF 10% 50V	C365	1-100-159-91	CERAMIC CHIP	22uF 10% 6.3V
C243	1-164-937-11	CERAMIC CHIP	0.001uF 10% 50V	C366	1-127-760-11	CERAMIC CHIP	4.7uF 10% 6.3V
C244	1-164-937-11	CERAMIC CHIP	0.001uF 10% 50V	C367	1-100-159-91	CERAMIC CHIP	22uF 10% 6.3V
C245	1-164-937-11	CERAMIC CHIP	0.001uF 10% 50V	C368	1-127-760-11	CERAMIC CHIP	4.7uF 10% 6.3V
C246	1-164-937-11	CERAMIC CHIP	0.001uF 10% 50V	C371	1-165-989-11	CERAMIC CHIP	10uF 10% 6.3V
C247	1-164-937-11	CERAMIC CHIP	0.001uF 10% 50V	C372	1-165-989-11	CERAMIC CHIP	10uF 10% 6.3V
C248	1-164-937-11	CERAMIC CHIP	0.001uF 10% 50V	C374	1-165-989-11	CERAMIC CHIP	10uF 10% 6.3V
C249	1-164-937-11	CERAMIC CHIP	0.001uF 10% 50V	C375	1-165-989-11	CERAMIC CHIP	10uF 10% 6.3V
C250	1-164-937-11	CERAMIC CHIP	0.001uF 10% 50V	C401	1-107-820-11	CERAMIC CHIP	0.1uF 16V
C251	1-164-937-11	CERAMIC CHIP	0.001uF 10% 50V	C402	1-107-820-11	CERAMIC CHIP	0.1uF 16V
C252	1-164-937-11	CERAMIC CHIP	0.001uF 10% 50V	C403	1-107-820-11	CERAMIC CHIP	0.1uF 16V
C253	1-164-937-11	CERAMIC CHIP	0.001uF 10% 50V	C404	1-107-820-11	CERAMIC CHIP	0.1uF 16V
C254	1-164-937-11	CERAMIC CHIP	0.001uF 10% 50V	C405	1-107-820-11	CERAMIC CHIP	0.1uF 16V
C255	1-164-937-11	CERAMIC CHIP	0.001uF 10% 50V	C406	1-107-820-11	CERAMIC CHIP	0.1uF 16V
C256	1-164-937-11	CERAMIC CHIP	0.001uF 10% 50V	C407	1-107-820-11	CERAMIC CHIP	0.1uF 16V
C258	1-125-777-11	CERAMIC CHIP	0.1uF 10% 10V	C408	1-164-846-11	CERAMIC CHIP	6PF 0.5PF 50V
C259	1-100-909-11	CERAMIC CHIP	10uF 10% 6.3V	C409	1-164-846-11	CERAMIC CHIP	6PF 0.5PF 50V
C261	1-100-909-11	CERAMIC CHIP	10uF 10% 6.3V	C410	1-100-909-11	CERAMIC CHIP	10uF 10% 6.3V
C262	1-112-717-91	CERAMIC CHIP	1uF 10% 6.3V	C411	1-107-820-11	CERAMIC CHIP	0.1uF 16V
C263	1-100-567-81	CERAMIC CHIP	0.01uF 10% 25V	C412	1-165-989-11	CERAMIC CHIP	10uF 10% 6.3V
C264	1-100-567-81	CERAMIC CHIP	0.01uF 10% 25V	C413	1-165-989-11	CERAMIC CHIP	10uF 10% 6.3V
C265	1-100-567-81	CERAMIC CHIP	0.01uF 10% 25V	C414	1-107-820-11	CERAMIC CHIP	0.1uF 16V
C266	1-100-567-81	CERAMIC CHIP	0.01uF 10% 25V	C415	1-107-820-11	CERAMIC CHIP	0.1uF 16V
C267	1-112-717-91	CERAMIC CHIP	1uF 10% 6.3V	C420	1-107-820-11	CERAMIC CHIP	0.1uF 16V
C269	1-112-717-91	CERAMIC CHIP	1uF 10% 6.3V	C421	1-107-820-11	CERAMIC CHIP	0.1uF 16V
C270	1-112-717-91	CERAMIC CHIP	1uF 10% 6.3V	C422	1-107-820-11	CERAMIC CHIP	0.1uF 16V
C272	1-112-717-91	CERAMIC CHIP	1uF 10% 6.3V	C423	1-107-820-11	CERAMIC CHIP	0.1uF 16V
C273	1-100-567-81	CERAMIC CHIP	0.01uF 10% 25V	C424	1-107-820-11	CERAMIC CHIP	0.1uF 16V

Ref. No.	Part No.	Description		Remark	Ref. No.	Part No.	Description		Remark
C425	1-107-820-11	CERAMIC CHIP	0.1uF	16V	C646	1-164-943-81	CERAMIC CHIP	0.01uF	10% 16V
C426	1-107-820-11	CERAMIC CHIP	0.1uF	16V	C700	1-164-943-81	CERAMIC CHIP	0.01uF	10% 16V
C427	1-107-820-11	CERAMIC CHIP	0.1uF	16V	C701	1-164-943-81	CERAMIC CHIP	0.01uF	10% 16V
C428	1-107-820-11	CERAMIC CHIP	0.1uF	16V	C703	1-164-943-81	CERAMIC CHIP	0.01uF	10% 16V
C429	1-107-820-11	CERAMIC CHIP	0.1uF	16V	C704	1-164-943-81	CERAMIC CHIP	0.01uF	10% 16V
C430	1-107-820-11	CERAMIC CHIP	0.1uF	16V	C705	1-164-943-81	CERAMIC CHIP	0.01uF	10% 16V
C431	1-107-820-11	CERAMIC CHIP	0.1uF	16V	C706	1-164-943-81	CERAMIC CHIP	0.01uF	10% 16V
C501	1-125-777-11	CERAMIC CHIP	0.1uF	10% 10V	C708	1-107-820-11	CERAMIC CHIP	0.1uF	16V
C502	1-125-777-11	CERAMIC CHIP	0.1uF	10% 10V	C711	1-164-943-81	CERAMIC CHIP	0.01uF	10% 16V
C503	1-125-777-11	CERAMIC CHIP	0.1uF	10% 10V	C712	1-107-820-11	CERAMIC CHIP	0.1uF	16V
C504	1-125-777-11	CERAMIC CHIP	0.1uF	10% 10V	C713	1-107-820-11	CERAMIC CHIP	0.1uF	16V
C505	1-125-777-11	CERAMIC CHIP	0.1uF	10% 10V	C714	1-164-943-81	CERAMIC CHIP	0.01uF	10% 16V
C506	1-125-777-11	CERAMIC CHIP	0.1uF	10% 10V	C715	1-107-820-11	CERAMIC CHIP	0.1uF	16V
C507	1-125-777-11	CERAMIC CHIP	0.1uF	10% 10V	C716	1-164-943-81	CERAMIC CHIP	0.01uF	10% 16V
C508	1-125-777-11	CERAMIC CHIP	0.1uF	10% 10V	C718	1-164-943-81	CERAMIC CHIP	0.01uF	10% 16V
C509	1-125-777-11	CERAMIC CHIP	0.1uF	10% 10V	C719	1-107-820-11	CERAMIC CHIP	0.1uF	16V
C510	1-125-777-11	CERAMIC CHIP	0.1uF	10% 10V	C720	1-164-943-81	CERAMIC CHIP	0.01uF	10% 16V
C511	1-125-777-11	CERAMIC CHIP	0.1uF	10% 10V	C721	1-125-838-11	CERAMIC CHIP	2.2uF	10% 6.3V
C513	1-125-777-11	CERAMIC CHIP	0.1uF	10% 10V	C722	1-107-820-11	CERAMIC CHIP	0.1uF	16V
C514	1-125-777-11	CERAMIC CHIP	0.1uF	10% 10V	C724	1-107-820-11	CERAMIC CHIP	0.1uF	16V
C517	1-164-943-81	CERAMIC CHIP	0.01uF	10% 16V	C725	1-164-943-81	CERAMIC CHIP	0.01uF	10% 16V
C600	1-125-777-11	CERAMIC CHIP	0.1uF	10% 10V	C726	1-164-943-81	CERAMIC CHIP	0.01uF	10% 16V
C601	1-125-777-11	CERAMIC CHIP	0.1uF	10% 10V	C728	1-107-820-11	CERAMIC CHIP	0.1uF	16V
C602	1-125-777-11	CERAMIC CHIP	0.1uF	10% 10V	C729	1-164-943-81	CERAMIC CHIP	0.01uF	10% 16V
C603	1-164-943-81	CERAMIC CHIP	0.01uF	10% 16V	C730	1-125-838-11	CERAMIC CHIP	2.2uF	10% 6.3V
C604	1-128-993-21	ELECT CHIP	22uF	20% 10V	C731	1-125-838-11	CERAMIC CHIP	2.2uF	10% 6.3V
C606	1-165-646-91	CERAMIC CHIP	3.3uF	10% 10V	C732	1-164-943-81	CERAMIC CHIP	0.01uF	10% 16V
C607	1-165-884-11	CERAMIC CHIP	2.2uF	10% 6.3V	C733	1-164-943-81	CERAMIC CHIP	0.01uF	10% 16V
C608	1-125-777-11	CERAMIC CHIP	0.1uF	10% 10V	C734	1-164-943-81	CERAMIC CHIP	0.01uF	10% 16V
C610	1-128-394-11	ELECT CHIP	220uF	20% 10V	C735	1-164-943-81	CERAMIC CHIP	0.01uF	10% 16V
C611	1-100-966-91	CERAMIC CHIP	10uF	20% 10V	C736	1-164-943-81	CERAMIC CHIP	0.01uF	10% 16V
C613	1-165-884-11	CERAMIC CHIP	2.2uF	10% 6.3V	C737	1-164-943-81	CERAMIC CHIP	0.01uF	10% 16V
C614	1-125-777-11	CERAMIC CHIP	0.1uF	10% 10V	C738	1-164-943-81	CERAMIC CHIP	0.01uF	10% 16V
C615	1-125-777-11	CERAMIC CHIP	0.1uF	10% 10V	C739	1-164-943-81	CERAMIC CHIP	0.01uF	10% 16V
C616	1-125-777-11	CERAMIC CHIP	0.1uF	10% 10V	C740	1-165-989-11	CERAMIC CHIP	10uF	10% 6.3V
C617	1-125-777-11	CERAMIC CHIP	0.1uF	10% 10V	C742	1-165-989-11	CERAMIC CHIP	10uF	10% 6.3V
C618	1-164-844-11	CERAMIC CHIP	4PF	0.25PF 50V	C743	1-115-467-11	CERAMIC CHIP	0.22uF	10% 10V
C619	1-164-844-11	CERAMIC CHIP	4PF	0.25PF 50V	C744	1-165-887-91	CERAMIC CHIP	0.22uF	10% 6.3V
C623	1-128-993-21	ELECT CHIP	22uF	20% 10V	C745	1-164-943-81	CERAMIC CHIP	0.01uF	10% 16V
C625	1-165-989-11	CERAMIC CHIP	10uF	10% 6.3V	C746	1-125-838-11	CERAMIC CHIP	2.2uF	10% 6.3V
C626	1-164-848-11	CERAMIC CHIP	8PF	0.5PF 50V	C748	1-115-467-11	CERAMIC CHIP	0.22uF	10% 10V
C627	1-164-848-11	CERAMIC CHIP	8PF	0.5PF 50V	C749	1-100-567-81	CERAMIC CHIP	0.01uF	10% 25V
C628	1-128-993-21	ELECT CHIP	22uF	20% 10V	C750	1-115-467-11	CERAMIC CHIP	0.22uF	10% 10V
C629	1-125-777-11	CERAMIC CHIP	0.1uF	10% 10V	C754	1-124-778-00	ELECT CHIP	22uF	20% 6.3V
C630	1-125-777-11	CERAMIC CHIP	0.1uF	10% 10V	C755	1-124-778-00	ELECT CHIP	22uF	20% 6.3V
C631	1-125-777-11	CERAMIC CHIP	0.1uF	10% 10V	C756	1-164-943-81	CERAMIC CHIP	0.01uF	10% 16V
C632	1-125-777-11	CERAMIC CHIP	0.1uF	10% 10V	C757	1-107-820-11	CERAMIC CHIP	0.1uF	16V
C633	1-125-777-11	CERAMIC CHIP	0.1uF	10% 10V	C758	1-107-820-11	CERAMIC CHIP	0.1uF	16V
C634	1-125-777-11	CERAMIC CHIP	0.1uF	10% 10V	C759	1-107-820-11	CERAMIC CHIP	0.1uF	16V
C635	1-125-777-11	CERAMIC CHIP	0.1uF	10% 10V	C760	1-107-820-11	CERAMIC CHIP	0.1uF	16V
C636	1-125-777-11	CERAMIC CHIP	0.1uF	10% 10V	C761	1-107-820-11	CERAMIC CHIP	0.1uF	16V
C637	1-125-777-11	CERAMIC CHIP	0.1uF	10% 10V	C762	1-125-777-11	CERAMIC CHIP	0.1uF	10% 10V
C638	1-125-777-11	CERAMIC CHIP	0.1uF	10% 10V	C763	1-125-777-11	CERAMIC CHIP	0.1uF	10% 10V
C639	1-125-777-11	CERAMIC CHIP	0.1uF	10% 10V	C801	1-125-777-11	CERAMIC CHIP	0.1uF	10% 10V
C640	1-125-777-11	CERAMIC CHIP	0.1uF	10% 10V	C802	1-125-777-11	CERAMIC CHIP	0.1uF	10% 10V
C641	1-125-777-11	CERAMIC CHIP	0.1uF	10% 10V	C803	1-125-777-11	CERAMIC CHIP	0.1uF	10% 10V
C642	1-125-777-11	CERAMIC CHIP	0.1uF	10% 10V	C805	1-125-777-11	CERAMIC CHIP	0.1uF	10% 10V
C643	1-125-777-11	CERAMIC CHIP	0.1uF	10% 10V	C806	1-125-777-11	CERAMIC CHIP	0.1uF	10% 10V
C644	1-165-908-11	CERAMIC CHIP	1uF	10% 10V	C807	1-125-777-11	CERAMIC CHIP	0.1uF	10% 10V
C645	1-165-908-11	CERAMIC CHIP	1uF	10% 10V	C808	1-126-206-11	ELECT CHIP	100uF	20% 6.3V

Ref. No.	Part No.	Description	Remark	Ref. No.	Part No.	Description	Remark
C810	1-125-777-11	CERAMIC CHIP 0.1uF 10%	10V			< FERRITE BEAD >	
C811	1-125-777-11	CERAMIC CHIP 0.1uF 10%	10V				
C812	1-125-777-11	CERAMIC CHIP 0.1uF 10%	10V	FB8001	1-469-324-21	FERRITE, EMI (SMD) (2012)	
C813	1-125-777-11	CERAMIC CHIP 0.1uF 10%	10V	FB8002	1-469-324-21	FERRITE, EMI (SMD) (2012)	
C815	1-165-908-11	CERAMIC CHIP 1uF 10%	10V			< FILTER >	
C816	1-165-908-11	CERAMIC CHIP 1uF 10%	10V				
C818	1-100-567-81	CERAMIC CHIP 0.01uF 10%	25V	FL101	1-234-177-21	FILTER, CHIP EMI	
C819	1-124-779-00	ELECT CHIP 10uF 20%	16V	FL201	1-234-177-21	FILTER, CHIP EMI	
C820	1-165-908-11	CERAMIC CHIP 1uF 10%	10V	FL303	1-234-986-11	FILTER, EMI REMOVAL (1608SMD)	
C821	1-125-777-11	CERAMIC CHIP 0.1uF 10%	10V	FL304	1-234-986-11	FILTER, EMI REMOVAL (1608SMD)	
C822	1-100-567-81	CERAMIC CHIP 0.01uF 10%	25V	FL305	1-234-986-11	FILTER, EMI REMOVAL (1608SMD)	
C823	1-126-206-11	ELECT CHIP 100uF 20%	6.3V	FL306	1-234-986-11	FILTER, EMI REMOVAL (1608SMD)	
C824	1-165-908-11	CERAMIC CHIP 1uF 10%	10V	FL307	1-234-986-11	FILTER, EMI REMOVAL (1608SMD)	
C901	1-137-710-91	CERAMIC CHIP 10uF 20%	6.3V	FL308	1-234-986-11	FILTER, EMI REMOVAL (1608SMD)	
C902	1-125-777-11	CERAMIC CHIP 0.1uF 10%	10V	FL309	1-234-986-11	FILTER, EMI REMOVAL (1608SMD)	
C903	1-125-777-11	CERAMIC CHIP 0.1uF 10%	10V	FL310	1-234-986-11	FILTER, EMI REMOVAL (1608SMD)	
C904	1-125-777-11	CERAMIC CHIP 0.1uF 10%	10V	FL400	1-234-177-21	FILTER, CHIP EMI	
C905	1-125-777-11	CERAMIC CHIP 0.1uF 10%	10V	FL600	1-234-867-11	FILTER, EMI REMOVAL (SMD)	
C906	1-125-777-11	CERAMIC CHIP 0.1uF 10%	10V	FL701	1-400-874-11	FILTER, EMI REMOVAL (SMD)	
C907	1-125-777-11	CERAMIC CHIP 0.1uF 10%	10V	FL702	1-400-874-11	FILTER, EMI REMOVAL (SMD)	
C908	1-125-777-11	CERAMIC CHIP 0.1uF 10%	10V			< IC >	
C909	1-125-777-11	CERAMIC CHIP 0.1uF 10%	10V	IC303	6-709-703-01	IC MM3141JNRE	
C910	1-125-777-11	CERAMIC CHIP 0.1uF 10%	10V	IC304	6-705-337-01	IC TK11150CSCL-G	
C915	1-164-943-81	CERAMIC CHIP 0.01uF 10%	16V	IC309	6-710-949-01	IC SN0608006PWPR	
C917	1-164-943-81	CERAMIC CHIP 0.01uF 10%	16V	IC310	6-710-949-01	IC SN0608006PWPR	
C8001	1-107-819-11	CERAMIC CHIP 0.022uF 10%	16V	IC702	6-706-487-01	IC TC7SH08FU (T5RSOYJF)	
C8006	1-164-943-81	CERAMIC CHIP 0.01uF 10%	16V	IC703	6-702-302-01	IC TK11133CSCL-G	
C8007	1-164-943-81	CERAMIC CHIP 0.01uF 10%	16V	IC704	6-705-337-01	IC TK11150CSCL-G	
C8008	1-164-943-81	CERAMIC CHIP 0.01uF 10%	16V	IC803	6-702-302-01	IC TK11133CSCL-G	
C8009	1-164-943-81	CERAMIC CHIP 0.01uF 10%	16V	IC901	8-759-598-44	IC TC7WH08FK (TE85R)	
C8010	1-127-760-11	CERAMIC CHIP 4.7uF 10%	6.3V			< COIL >	
C8011	1-164-943-81	CERAMIC CHIP 0.01uF 10%	16V	L600	1-400-180-21	INDUCTOR, EMI FERRITE (1608)	
C8012	1-164-943-81	CERAMIC CHIP 0.01uF 10%	16V	L601	1-400-180-21	INDUCTOR, EMI FERRITE (1608)	
C8013	1-127-760-11	CERAMIC CHIP 4.7uF 10%	6.3V	L602	1-400-180-21	INDUCTOR, EMI FERRITE (1608)	
C8014	1-125-777-11	CERAMIC CHIP 0.1uF 10%	10V	* L603	1-813-308-11	COMMON MODE CHOKE	
C8015	1-164-943-81	CERAMIC CHIP 0.01uF 10%	16V	L700	1-469-552-21	INDUCTOR 3.3uH	
C8016	1-164-943-81	CERAMIC CHIP 0.01uF 10%	16V	L701	1-469-555-21	INDUCTOR 10uH	
C8017	1-137-710-91	CERAMIC CHIP 10uF 20%	6.3V	L702	1-469-555-21	INDUCTOR 10uH	
C8018	1-125-777-11	CERAMIC CHIP 0.1uF 10%	10V	L703	1-457-374-21	COMMON MODE CHOKE COIL	
C8019	1-125-777-11	CERAMIC CHIP 0.1uF 10%	10V	L704	1-457-374-21	COMMON MODE CHOKE COIL	
C8020	1-164-943-81	CERAMIC CHIP 0.01uF 10%	16V	L705	1-457-374-21	COMMON MODE CHOKE COIL	
		< CONNECTOR >		L706	1-457-374-21	COMMON MODE CHOKE COIL	
CN301	1-816-587-21	PIN, CONNECTOR (PC BOARD) 15P		L707	1-469-555-21	INDUCTOR 10uH	
CN700	1-819-876-21	CONNECTOR, SATA SMT (7P)		L802	1-469-555-21	INDUCTOR 10uH	
CN702	1-821-450-12	CONNECTOR, HDMI (HDMI OUT)		L803	1-469-555-21	INDUCTOR 10uH	
CN901	1-573-806-21	PIN, CONNECTOR (1.5MM) (SMD) 6P		L901	1-469-555-21	INDUCTOR 10uH	
CN904	1-820-117-51	CONNECTOR, FFC/FPC 19P				< FUSE >	
CN8001	1-819-875-21	ETHERNET CONNECTOR (8P) (LAN (100))		△ PS302	1-576-603-21	FUSE 3.15A 24V	
		< DIODE >		△ PS701	1-576-596-21	FUSE 1A 32V	
D301	8-719-081-67	DIODE M1FM3				< CONTACT TERMINAL >	
D303	6-500-294-01	DIODE PTZ-TE25-3.9B		PT002	1-694-802-21	CONTACT TERMINAL	
D304	6-500-294-01	DIODE PTZ-TE25-3.9B					
D600	8-719-988-61	DIODE 1SS355TE-17					
D601	6-500-701-01	DIODE PGB1010603NR					
D602	6-500-701-01	DIODE PGB1010603NR					

The components identified by mark \triangle or dotted line with mark \triangle are critical for safety.
Replace only with part number specified.

Les composants identifiés par une marque \triangle sont critiques pour la sécurité.
Ne les remplacer que par une pièce portant le numéro spécifié.

Ref. No.	Part No.	Description	Remark	Ref. No.	Part No.	Description	Remark
		< TRANSISTOR >		R230	1-218-935-11	RES-CHIP	33 5% 1/16W
Q300	6-550-663-01	TRANSISTOR	RSS100N03FD5TB	R231	1-218-935-11	RES-CHIP	33 5% 1/16W
Q301	6-550-663-01	TRANSISTOR	RSS100N03FD5TB	R232	1-218-935-11	RES-CHIP	33 5% 1/16W
Q302	6-550-663-01	TRANSISTOR	RSS100N03FD5TB	R233	1-218-937-11	RES-CHIP	47 5% 1/16W
Q303	6-550-663-01	TRANSISTOR	RSS100N03FD5TB	R234	1-218-937-11	RES-CHIP	47 5% 1/16W
Q304	6-550-663-01	TRANSISTOR	RSS100N03FD5TB	R235	1-218-947-11	RES-CHIP	330 5% 1/16W
Q701	6-550-008-01	TRANSISTOR	UM6K1N-TN	R237	1-208-683-11	METAL CHIP	1K 0.5% 1/16W
Q801	8-729-010-05	TRANSISTOR	MSB709-RT1	R238	1-208-683-11	METAL CHIP	1K 0.5% 1/16W
Q802	8-729-120-28	TRANSISTOR	2SC1623-L5L6	R240	1-218-939-11	RES-CHIP	68 5% 1/16W
Q803	8-729-010-05	TRANSISTOR	MSB709-RT1	R241	1-218-939-11	RES-CHIP	68 5% 1/16W
Q804	8-729-010-05	TRANSISTOR	MSB709-RT1	R243	1-218-933-11	RES-CHIP	22 5% 1/16W
Q805	8-729-010-05	TRANSISTOR	MSB709-RT1	R244	1-218-933-11	RES-CHIP	22 5% 1/16W
Q806	8-729-010-05	TRANSISTOR	MSB709-RT1	R245	1-218-933-11	RES-CHIP	22 5% 1/16W
Q901	8-729-025-28	TRANSISTOR	2SK1828	R246	1-218-933-11	RES-CHIP	22 5% 1/16W
		< RESISTOR >		R250	1-216-864-11	SHORT CHIP	0
R102	1-208-683-11	METAL CHIP	1K 0.5% 1/16W	R256	1-218-947-11	RES-CHIP	330 5% 1/16W
R103	1-208-683-11	METAL CHIP	1K 0.5% 1/16W	R258	1-208-683-11	METAL CHIP	1K 0.5% 1/16W
R123	1-218-939-11	RES-CHIP	68 5% 1/16W	R259	1-208-683-11	METAL CHIP	1K 0.5% 1/16W
R124	1-218-939-11	RES-CHIP	68 5% 1/16W	R277	1-218-943-11	RES-CHIP	150 5% 1/16W
R126	1-218-937-11	RES-CHIP	47 5% 1/16W	R278	1-218-943-11	RES-CHIP	150 5% 1/16W
R127	1-218-937-11	RES-CHIP	47 5% 1/16W	R279	1-218-943-11	RES-CHIP	150 5% 1/16W
R128	1-218-937-11	RES-CHIP	47 5% 1/16W	R280	1-218-943-11	RES-CHIP	150 5% 1/16W
R129	1-218-935-11	RES-CHIP	33 5% 1/16W	R281	1-220-169-11	RES-CHIP	75 5% 1/16W
R130	1-218-935-11	RES-CHIP	33 5% 1/16W	R301	1-218-953-11	RES-CHIP	1K 5% 1/16W
R131	1-218-935-11	RES-CHIP	33 5% 1/16W	R302	1-216-864-11	SHORT CHIP	0
R132	1-218-935-11	RES-CHIP	33 5% 1/16W	R303	1-218-953-11	RES-CHIP	1K 5% 1/16W
R133	1-218-937-11	RES-CHIP	47 5% 1/16W	R309	1-218-953-11	RES-CHIP	1K 5% 1/16W
R134	1-218-937-11	RES-CHIP	47 5% 1/16W	R314	1-208-935-11	METAL CHIP	100K 0.5% 1/16W
R135	1-218-947-11	RES-CHIP	330 5% 1/16W	R315	1-208-935-11	METAL CHIP	100K 0.5% 1/16W
R137	1-208-683-11	METAL CHIP	1K 0.5% 1/16W	R316	1-208-939-11	METAL CHIP	150K 0.5% 1/16W
R138	1-208-683-11	METAL CHIP	1K 0.5% 1/16W	R317	1-208-709-11	METAL CHIP	12K 0.5% 1/16W
R140	1-218-939-11	RES-CHIP	68 5% 1/16W	R318	1-208-941-11	METAL CHIP	180K 0.5% 1/16W
R142	1-218-939-11	RES-CHIP	68 5% 1/16W	R319	1-208-939-11	METAL CHIP	150K 0.5% 1/16W
R143	1-218-933-11	RES-CHIP	22 5% 1/16W	R320	1-208-683-11	METAL CHIP	1K 0.5% 1/16W
R144	1-218-933-11	RES-CHIP	22 5% 1/16W	R321	1-208-711-11	METAL CHIP	15K 0.5% 1/16W
R145	1-218-933-11	RES-CHIP	22 5% 1/16W	R322	1-216-821-11	METAL CHIP	1K 5% 1/10W
R146	1-218-933-11	RES-CHIP	22 5% 1/16W	R333	1-216-864-11	SHORT CHIP	0
R156	1-218-947-11	RES-CHIP	330 5% 1/16W	R335	1-216-864-11	SHORT CHIP	0
R158	1-208-683-11	METAL CHIP	1K 0.5% 1/16W	R344	1-218-879-11	METAL CHIP	22K 0.5% 1/10W
R159	1-208-683-11	METAL CHIP	1K 0.5% 1/16W	R345	1-218-873-11	METAL CHIP	12K 0.5% 1/10W
R177	1-218-943-11	RES-CHIP	150 5% 1/16W	R352	1-218-953-11	RES-CHIP	1K 5% 1/16W
R178	1-218-943-11	RES-CHIP	150 5% 1/16W	R357	1-218-953-11	RES-CHIP	1K 5% 1/16W
R179	1-218-943-11	RES-CHIP	150 5% 1/16W	R361	1-208-703-11	METAL CHIP	6.8K 0.5% 1/16W
R180	1-218-943-11	RES-CHIP	150 5% 1/16W	R362	1-208-715-11	METAL CHIP	22K 0.5% 1/16W
R181	1-220-169-11	RES-CHIP	75 5% 1/16W	R367	1-218-953-11	RES-CHIP	1K 5% 1/16W
R188	1-216-864-11	SHORT CHIP	0	R402	1-218-990-81	SHORT CHIP	0
R190	1-216-864-11	SHORT CHIP	0	R404	1-218-990-81	SHORT CHIP	0
R191	1-216-864-11	SHORT CHIP	0	R405	1-218-951-11	RES-CHIP	680 5% 1/16W
R192	1-216-864-11	SHORT CHIP	0	R501	1-218-965-11	RES-CHIP	10K 5% 1/16W
R202	1-208-683-11	METAL CHIP	1K 0.5% 1/16W	R502	1-218-965-11	RES-CHIP	10K 5% 1/16W
R203	1-208-683-11	METAL CHIP	1K 0.5% 1/16W	R503	1-218-933-11	RES-CHIP	22 5% 1/16W
R208	1-208-663-11	METAL CHIP	150 0.5% 1/16W	R504	1-218-933-11	RES-CHIP	22 5% 1/16W
R209	1-208-663-11	METAL CHIP	150 0.5% 1/16W	R506	1-218-965-11	RES-CHIP	10K 5% 1/16W
R223	1-218-939-11	RES-CHIP	68 5% 1/16W	R507	1-218-965-11	RES-CHIP	10K 5% 1/16W
R224	1-218-939-11	RES-CHIP	68 5% 1/16W	R508	1-218-965-11	RES-CHIP	10K 5% 1/16W
R226	1-218-937-11	RES-CHIP	47 5% 1/16W	R510	1-218-965-11	RES-CHIP	10K 5% 1/16W
R227	1-218-937-11	RES-CHIP	47 5% 1/16W	R512	1-218-965-11	RES-CHIP	10K 5% 1/16W
R228	1-218-937-11	RES-CHIP	47 5% 1/16W	R514	1-218-965-11	RES-CHIP	10K 5% 1/16W
R229	1-218-935-11	RES-CHIP	33 5% 1/16W	R515	1-218-965-11	RES-CHIP	10K 5% 1/16W
				R517	1-218-935-11	RES-CHIP	33 5% 1/16W

Ref. No.	Part No.	Description			Remark	Ref. No.	Part No.	Description			Remark
R518	1-218-965-11	RES-CHIP	10K	5%	1/16W	R637	1-218-965-11	RES-CHIP	10K	5%	1/16W
R519	1-218-959-11	RES-CHIP	3.3K	5%	1/16W	R639	1-218-965-11	RES-CHIP	10K	5%	1/16W
R520	1-218-990-81	SHORT CHIP	0			R641	1-218-965-11	RES-CHIP	10K	5%	1/16W
R522	1-218-965-11	RES-CHIP	10K	5%	1/16W	R642	1-218-945-11	RES-CHIP	220	5%	1/16W
R523	1-218-941-81	RES-CHIP	100	5%	1/16W	R644	1-218-935-11	RES-CHIP	33	5%	1/16W
R527	1-218-965-11	RES-CHIP	10K	5%	1/16W	R645	1-218-935-11	RES-CHIP	33	5%	1/16W
R528	1-218-933-11	RES-CHIP	22	5%	1/16W	R646	1-218-935-11	RES-CHIP	33	5%	1/16W
R529	1-218-933-11	RES-CHIP	22	5%	1/16W	R647	1-218-961-11	RES-CHIP	4.7K	5%	1/16W
R530	1-218-990-81	SHORT CHIP	0			R648	1-218-961-11	RES-CHIP	4.7K	5%	1/16W
R531	1-218-933-11	RES-CHIP	22	5%	1/16W	R650	1-218-965-11	RES-CHIP	10K	5%	1/16W
R532	1-218-933-11	RES-CHIP	22	5%	1/16W	R651	1-218-941-81	RES-CHIP	100	5%	1/16W
R533	1-218-933-11	RES-CHIP	22	5%	1/16W	R652	1-216-073-91	RES-CHIP	10K	5%	1/10W
R534	1-218-933-11	RES-CHIP	22	5%	1/16W	R654	1-218-990-81	SHORT CHIP	0		
R535	1-218-933-11	RES-CHIP	22	5%	1/16W	R655	1-218-990-81	SHORT CHIP	0		
R536	1-218-933-11	RES-CHIP	22	5%	1/16W	R656	1-218-990-81	SHORT CHIP	0		
R537	1-218-933-11	RES-CHIP	22	5%	1/16W	R657	1-218-990-81	SHORT CHIP	0		
R538	1-218-933-11	RES-CHIP	22	5%	1/16W	R658	1-218-990-81	SHORT CHIP	0		
R539	1-218-990-81	SHORT CHIP	0			R659	1-218-961-11	RES-CHIP	4.7K	5%	1/16W
R540	1-218-933-11	RES-CHIP	22	5%	1/16W	R660	1-218-961-11	RES-CHIP	4.7K	5%	1/16W
R541	1-218-933-11	RES-CHIP	22	5%	1/16W	R661	1-218-990-81	SHORT CHIP	0		
R542	1-218-965-11	RES-CHIP	10K	5%	1/16W	R663	1-216-295-91	SHORT CHIP	0		
R543	1-218-965-11	RES-CHIP	10K	5%	1/16W	R700	1-218-953-11	RES-CHIP	1K	5%	1/16W
R544	1-218-965-11	RES-CHIP	10K	5%	1/16W	R702	1-218-953-11	RES-CHIP	1K	5%	1/16W
R545	1-218-965-11	RES-CHIP	10K	5%	1/16W	R703	1-218-941-81	RES-CHIP	100	5%	1/16W
R546	1-218-965-11	RES-CHIP	10K	5%	1/16W	R704	1-218-941-81	RES-CHIP	100	5%	1/16W
R547	1-218-965-11	RES-CHIP	10K	5%	1/16W	R705	1-208-690-11	METAL CHIP	2K	0.5%	1/16W
R548	1-218-965-11	RES-CHIP	10K	5%	1/16W	R706	1-218-941-81	RES-CHIP	100	5%	1/16W
R549	1-218-965-11	RES-CHIP	10K	5%	1/16W	R707	1-208-690-11	METAL CHIP	2K	0.5%	1/16W
R550	1-218-965-11	RES-CHIP	10K	5%	1/16W	R708	1-211-986-11	METAL CHIP	51	0.5%	1/10W
R551	1-218-965-11	RES-CHIP	10K	5%	1/16W	R709	1-218-990-81	SHORT CHIP	0		
R552	1-218-965-11	RES-CHIP	10K	5%	1/16W	R710	1-218-990-81	SHORT CHIP	0		
R553	1-218-965-11	RES-CHIP	10K	5%	1/16W	R712	1-218-847-11	METAL CHIP	1K	0.5%	1/10W
R554	1-218-965-11	RES-CHIP	10K	5%	1/16W	R714	1-218-959-11	RES-CHIP	3.3K	5%	1/16W
R555	1-218-965-11	RES-CHIP	10K	5%	1/16W	R715	1-218-959-11	RES-CHIP	3.3K	5%	1/16W
R601	1-218-990-81	SHORT CHIP	0			R719	1-218-967-11	RES-CHIP	15K	5%	1/16W
R605	1-218-935-11	RES-CHIP	33	5%	1/16W	R721	1-218-973-11	RES-CHIP	47K	5%	1/16W
R606	1-218-935-11	RES-CHIP	33	5%	1/16W	R722	1-218-961-11	RES-CHIP	4.7K	5%	1/16W
R607	1-218-935-11	RES-CHIP	33	5%	1/16W	R723	1-218-959-11	RES-CHIP	3.3K	5%	1/16W
R608	1-218-935-11	RES-CHIP	33	5%	1/16W	R724	1-218-956-11	RES-CHIP	1.8K	5%	1/16W
R609	1-218-935-11	RES-CHIP	33	5%	1/16W	R725	1-218-956-11	RES-CHIP	1.8K	5%	1/16W
R610	1-218-935-11	RES-CHIP	33	5%	1/16W	R726	1-216-864-11	SHORT CHIP	0		
R611	1-218-935-11	RES-CHIP	33	5%	1/16W	R727	1-216-864-11	SHORT CHIP	0		
R612	1-218-935-11	RES-CHIP	33	5%	1/16W	R728	1-216-864-11	SHORT CHIP	0		
R613	1-218-935-11	RES-CHIP	33	5%	1/16W	R729	1-216-864-11	SHORT CHIP	0		
R614	1-218-935-11	RES-CHIP	33	5%	1/16W	R730	1-216-864-11	SHORT CHIP	0		
R615	1-218-935-11	RES-CHIP	33	5%	1/16W	R731	1-218-967-11	RES-CHIP	15K	5%	1/16W
R616	1-218-935-11	RES-CHIP	33	5%	1/16W	R735	1-218-990-81	SHORT CHIP	0		
R617	1-218-990-81	SHORT CHIP	0			R737	1-218-841-11	METAL CHIP	560	0.5%	1/10W
R620	1-218-990-81	SHORT CHIP	0			R738	1-218-841-11	METAL CHIP	560	0.5%	1/10W
R622	1-218-990-81	SHORT CHIP	0			R739	1-218-841-11	METAL CHIP	560	0.5%	1/10W
R624	1-218-941-81	RES-CHIP	100	5%	1/16W	R740	1-218-841-11	METAL CHIP	560	0.5%	1/10W
R625	1-218-933-11	RES-CHIP	22	5%	1/16W	R741	1-218-953-11	RES-CHIP	1K	5%	1/16W
R627	1-218-965-11	RES-CHIP	10K	5%	1/16W	R743	1-218-990-81	SHORT CHIP	0		
R628	1-218-965-11	RES-CHIP	10K	5%	1/16W	R745	1-218-990-81	SHORT CHIP	0		
R629	1-218-965-11	RES-CHIP	10K	5%	1/16W	R746	1-218-990-81	SHORT CHIP	0		
R632	1-208-884-81	METAL CHIP	750	0.5%	1/16W	R808	1-218-937-11	RES-CHIP	47	5%	1/16W
R633	1-218-965-11	RES-CHIP	10K	5%	1/16W	R809	1-218-937-11	RES-CHIP	47	5%	1/16W
R634	1-414-843-21	INDUCTOR	18nH			R810	1-218-937-11	RES-CHIP	47	5%	1/16W
R635	1-414-843-21	INDUCTOR	18nH			R811	1-218-937-11	RES-CHIP	47	5%	1/16W
R636	1-208-888-11	METAL CHIP	1.6K	0.5%	1/16W	R812	1-218-935-11	RES-CHIP	33	5%	1/16W

Ref. No.	Part No.	Description			Remark	Ref. No.	Part No.	Description			Remark
R813	1-208-663-11	METAL CHIP	150	0.5%	1/16W	R902	1-218-965-11	RES-CHIP	10K	5%	1/16W
R814	1-208-663-11	METAL CHIP	150	0.5%	1/16W	R903	1-218-990-81	SHORT CHIP	0		
R815	1-208-883-81	METAL CHIP	680	0.5%	1/16W	R904	1-218-965-11	RES-CHIP	10K	5%	1/16W
R816	1-208-663-11	METAL CHIP	150	0.5%	1/16W	R905	1-218-990-81	SHORT CHIP	0		
R817	1-208-663-11	METAL CHIP	150	0.5%	1/16W	R906	1-218-965-11	RES-CHIP	10K	5%	1/16W
R818	1-208-663-11	METAL CHIP	150	0.5%	1/16W	R907	1-218-990-81	SHORT CHIP	0		
R819	1-208-675-11	METAL CHIP	470	0.5%	1/16W	R908	1-218-990-81	SHORT CHIP	0		
R820	1-218-965-11	RES-CHIP	10K	5%	1/16W	R909	1-218-990-81	SHORT CHIP	0		
R821	1-218-953-11	RES-CHIP	1K	5%	1/16W	R913	1-218-965-11	RES-CHIP	10K	5%	1/16W
R823	1-218-990-81	SHORT CHIP	0			R914	1-218-965-11	RES-CHIP	10K	5%	1/16W
R824	1-218-953-11	RES-CHIP	1K	5%	1/16W	R915	1-218-965-11	RES-CHIP	10K	5%	1/16W
R825	1-218-953-11	RES-CHIP	1K	5%	1/16W	R916	1-218-965-11	RES-CHIP	10K	5%	1/16W
R826	1-218-947-11	RES-CHIP	330	5%	1/16W	R917	1-218-935-11	RES-CHIP	33	5%	1/16W
R827	1-218-945-11	RES-CHIP	220	5%	1/16W	R918	1-218-965-11	RES-CHIP	10K	5%	1/16W
R829	1-218-990-81	SHORT CHIP	0			R919	1-218-965-11	RES-CHIP	10K	5%	1/16W
R830	1-218-939-11	RES-CHIP	68	5%	1/16W	R920	1-218-929-11	RES-CHIP	10	5%	1/16W
R831	1-218-947-11	RES-CHIP	330	5%	1/16W	R921	1-218-929-11	RES-CHIP	10	5%	1/16W
R833	1-218-990-81	SHORT CHIP	0			R922	1-218-929-11	RES-CHIP	10	5%	1/16W
R834	1-218-965-11	RES-CHIP	10K	5%	1/16W	R923	1-218-929-11	RES-CHIP	10	5%	1/16W
R835	1-208-691-11	METAL CHIP	2.2K	0.5%	1/16W	R924	1-218-990-81	SHORT CHIP	0		
R836	1-208-691-11	METAL CHIP	2.2K	0.5%	1/16W	R925	1-218-990-81	SHORT CHIP	0		
R837	1-208-695-11	METAL CHIP	3.3K	0.5%	1/16W	R926	1-218-990-81	SHORT CHIP	0		
R838	1-208-695-11	METAL CHIP	3.3K	0.5%	1/16W	R927	1-218-990-81	SHORT CHIP	0		
R839	1-218-947-11	RES-CHIP	330	5%	1/16W	R928	1-218-990-81	SHORT CHIP	0		
R841	1-218-990-81	SHORT CHIP	0			R929	1-218-990-81	SHORT CHIP	0		
R842	1-218-990-81	SHORT CHIP	0			R930	1-218-990-81	SHORT CHIP	0		
R843	1-218-947-11	RES-CHIP	330	5%	1/16W	R931	1-218-990-81	SHORT CHIP	0		
R845	1-218-990-81	SHORT CHIP	0			R932	1-218-990-81	SHORT CHIP	0		
R847	1-218-947-11	RES-CHIP	330	5%	1/16W	R933	1-218-965-11	RES-CHIP	10K	5%	1/16W
R848	1-218-990-81	SHORT CHIP	0			R934	1-218-965-11	RES-CHIP	10K	5%	1/16W
R849	1-218-933-11	RES-CHIP	22	5%	1/16W	R935	1-218-935-11	RES-CHIP	33	5%	1/16W
R850	1-218-933-11	RES-CHIP	22	5%	1/16W	R936	1-218-965-11	RES-CHIP	10K	5%	1/16W
R851	1-218-933-11	RES-CHIP	22	5%	1/16W	R938	1-218-965-11	RES-CHIP	10K	5%	1/16W
R852	1-218-933-11	RES-CHIP	22	5%	1/16W	R939	1-218-965-11	RES-CHIP	10K	5%	1/16W
R853	1-218-933-11	RES-CHIP	22	5%	1/16W	R940	1-218-965-11	RES-CHIP	10K	5%	1/16W
R858	1-218-965-11	RES-CHIP	10K	5%	1/16W	R941	1-218-965-11	RES-CHIP	10K	5%	1/16W
R859	1-218-965-11	RES-CHIP	10K	5%	1/16W	R942	1-218-965-11	RES-CHIP	10K	5%	1/16W
R860	1-218-965-11	RES-CHIP	10K	5%	1/16W	R943	1-218-959-11	RES-CHIP	3.3K	5%	1/16W
R861	1-218-965-11	RES-CHIP	10K	5%	1/16W	R944	1-218-953-11	RES-CHIP	1K	5%	1/16W
R862	1-218-965-11	RES-CHIP	10K	5%	1/16W	R945	1-218-953-11	RES-CHIP	1K	5%	1/16W
R863	1-218-965-11	RES-CHIP	10K	5%	1/16W	R946	1-218-965-11	RES-CHIP	10K	5%	1/16W
R864	1-218-965-11	RES-CHIP	10K	5%	1/16W	R947	1-218-953-11	RES-CHIP	1K	5%	1/16W
R865	1-216-295-91	SHORT CHIP	0			R948	1-218-990-81	SHORT CHIP	0		
R873	1-218-990-81	SHORT CHIP	0			R949	1-218-933-11	RES-CHIP	22	5%	1/16W
R874	1-218-990-81	SHORT CHIP	0			R950	1-218-933-11	RES-CHIP	22	5%	1/16W
R875	1-218-990-81	SHORT CHIP	0			R951	1-218-990-81	SHORT CHIP	0		
R876	1-218-990-81	SHORT CHIP	0			R952	1-218-990-81	SHORT CHIP	0		
R877	1-218-990-81	SHORT CHIP	0			R953	1-218-990-81	SHORT CHIP	0		
R878	1-218-990-81	SHORT CHIP	0			R954	1-218-990-81	SHORT CHIP	0		
R879	1-218-990-81	SHORT CHIP	0			R955	1-218-990-81	SHORT CHIP	0		
R889	1-218-990-81	SHORT CHIP	0			R956	1-218-990-81	SHORT CHIP	0		
R890	1-218-990-81	SHORT CHIP	0			R957	1-218-990-81	SHORT CHIP	0		
R891	1-218-990-81	SHORT CHIP	0			R958	1-218-990-81	SHORT CHIP	0		
R892	1-218-990-81	SHORT CHIP	0			R959	1-218-990-81	SHORT CHIP	0		
R893	1-218-990-81	SHORT CHIP	0			R960	1-218-990-81	SHORT CHIP	0		
R894	1-218-990-81	SHORT CHIP	0			R961	1-218-990-81	SHORT CHIP	0		
R895	1-218-990-81	SHORT CHIP	0			R962	1-218-965-11	RES-CHIP	10K	5%	1/16W
R896	1-218-990-81	SHORT CHIP	0			R963	1-218-965-11	RES-CHIP	10K	5%	1/16W
R899	1-218-990-81	SHORT CHIP	0			R964	1-218-941-81	RES-CHIP	100	5%	1/16W
R901	1-218-965-11	RES-CHIP	10K	5%	1/16W	R965	1-218-990-81	SHORT CHIP	0		

Ref. No.	Part No.	Description	Remark	Ref. No.	Part No.	Description	Remark
RB520	1-234-400-21	CONDUCTOR, NETWORK (1005X4)		59	1-835-296-11	CABLE, FLEXIBLE FLAT (FMA-022)	
RB600	1-242-963-21	RES, NETWORK 33 (1005X4)		△ 101	1-474-088-11	REGULATOR, SWITCHING (ZSSR774MA)	(US, CND)
RB601	1-242-963-21	RES, NETWORK 33 (1005X4)		△ 101	1-474-088-31	REGULATOR, SWITCHING (ZSSR774HA)	(AEP, UK, AUS, RUS, KR)
RB602	1-242-963-21	RES, NETWORK 33 (1005X4)		△ 101	1-474-088-41	REGULATOR, SWITCHING (ZSSR774IA)	(E, HK, TW, TH)
RB603	1-242-963-21	RES, NETWORK 33 (1005X4)		△ 101	1-474-088-51	REGULATOR, SWITCHING (ZSSR774CA) (CH)	
RB604	1-242-963-21	RES, NETWORK 33 (1005X4)		△ 102	A-1540-573-A	DRIVE (SERVICE USE), BD	
RB605	1-242-963-21	RES, NETWORK 33 (1005X4)		103	1-966-155-11	HARNESS (SAT-003)	
RB606	1-242-963-21	RES, NETWORK 33 (1005X4)		M501	1-787-760-11	FAN, D.C.	
RB607	1-242-963-21	RES, NETWORK 33 (1005X4)					
RB608	1-242-963-21	RES, NETWORK 33 (1005X4)					
RB609	1-242-963-21	RES, NETWORK 33 (1005X4)					
RB610	1-242-963-21	RES, NETWORK 33 (1005X4)					
RB611	1-242-963-21	RES, NETWORK 33 (1005X4)					
RB612	1-242-963-21	RES, NETWORK 33 (1005X4)					
RB613	1-242-963-21	RES, NETWORK 33 (1005X4)					
RB614	1-242-963-21	RES, NETWORK 33 (1005X4)					
RB615	1-242-963-21	RES, NETWORK 33 (1005X4)					
RB616	1-242-963-21	RES, NETWORK 33 (1005X4)					
RB617	1-242-963-21	RES, NETWORK 33 (1005X4)					
RB618	1-242-963-21	RES, NETWORK 33 (1005X4)					
RB619	1-242-963-21	RES, NETWORK 33 (1005X4)					
RB621	1-234-377-21	RES, NETWORK 4.7K (1005X4)					
RB622	1-234-377-21	RES, NETWORK 4.7K (1005X4)					
RB900	1-234-378-21	RES, NETWORK 10K (1005X4)					
RB901	1-234-378-21	RES, NETWORK 10K (1005X4)					
RB902	1-234-378-21	RES, NETWORK 10K (1005X4)					
RB903	1-234-378-21	RES, NETWORK 10K (1005X4)					
RB7000	1-234-378-21	RES, NETWORK 10K (1005X4)					
RB7001	1-234-378-21	RES, NETWORK 10K (1005X4)					
RB7004	1-234-378-21	RES, NETWORK 10K (1005X4)					
RB7005	1-234-378-21	RES, NETWORK 10K (1005X4)					
RB7010	1-234-378-21	RES, NETWORK 10K (1005X4)					
RB7011	1-234-378-21	RES, NETWORK 10K (1005X4)					
RB7012	1-234-378-21	RES, NETWORK 10K (1005X4)					
RB7013	1-234-378-21	RES, NETWORK 10K (1005X4)					
		< THERMISTOR >					
TH901	1-804-045-11	THERMISTOR					
		< VIBRATOR >					
X600	1-813-263-11	OSCILLATOR, CRYSTAL (33MHz)					
X601	1-813-208-11	VIBRATOR, CRYSTAL (30MHz)					
X701	1-813-052-21	VIBRATOR, CRYSTAL (25MHz)					
X8001	1-813-821-11	OSCILLATOR, CRYSTAL (50MHz)					
	A-1540-046-A	USB-008 BOARD, COMPLETE ***** (Ref. No. 20, 000 Series)					
		< CONNECTOR >					
CN361	1-817-109-11	CONNECTOR, USB (A) (EXT)					
CN362	1-566-760-11	PIN, CONNECTOR (PC BOARD) 5P					
		MISCELLANEOUS PARTS *****					
54	1-835-294-11	CABLE, FLEXIBLE FLAT (FFI-001)					
55	1-835-295-11	CABLE, FLEXIBLE FLAT (FFI-002)					
57	1-835-293-11	CABLE, FLEXIBLE FLAT (FMI-005)					
58	1-835-292-11	CABLE, FLEXIBLE FLAT (FMA-021)					

The components identified by mark △ or dotted line with mark △ are critical for safety.
Replace only with part number specified.

Les composants identifiés par une marque △ sont critiques pour la sécurité.
Ne les remplacer que par une pièce portant le numéro spécifié.

