
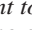
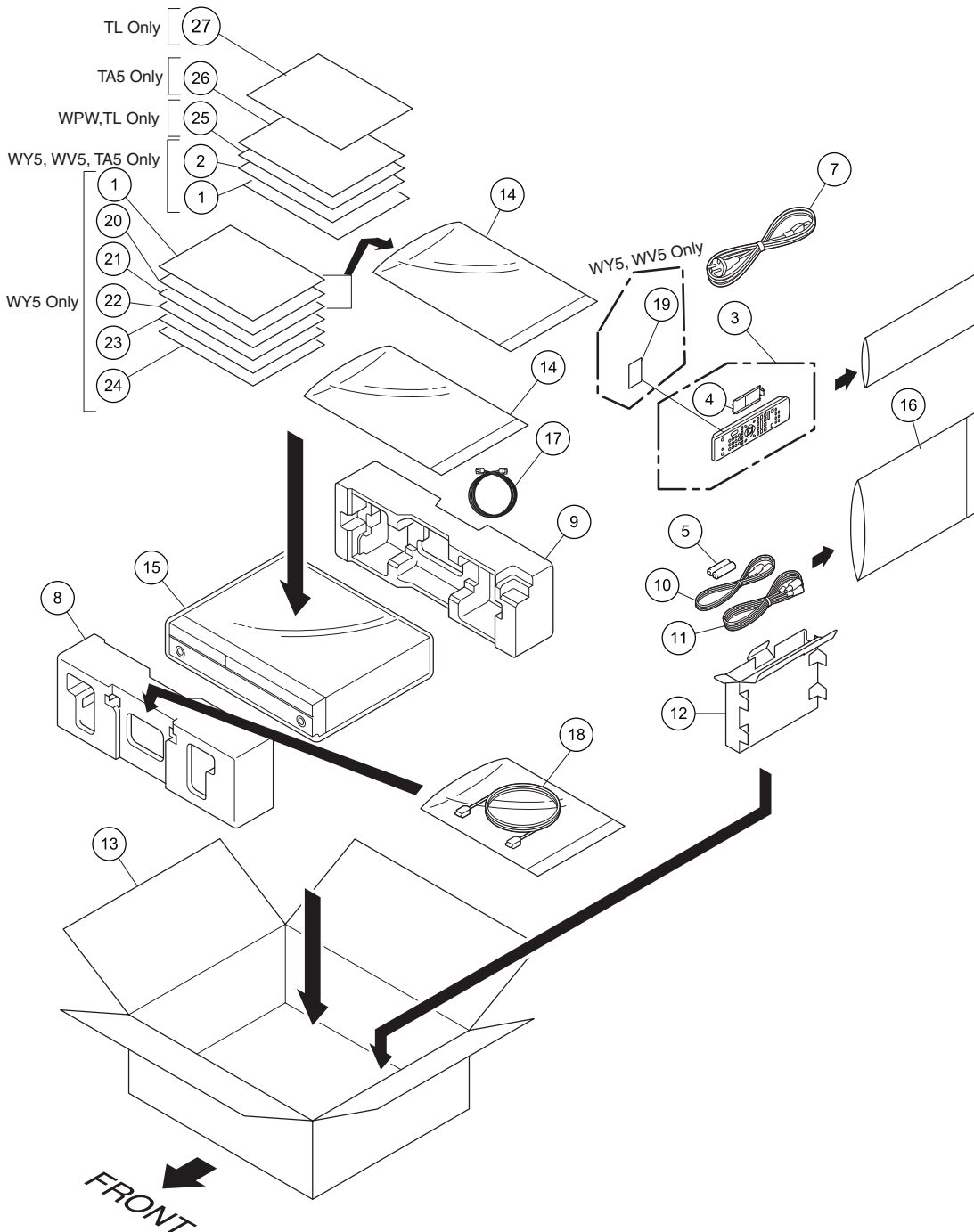


# 9. EXPLODED VIEWS AND PARTS LIST

- NOTES:**
- Parts marked by "NSP" are generally unavailable because they are not in our Master Spare Parts List.
  - The  mark found on some component parts indicates the importance of the safety factor of the part. Therefore, when replacing, be sure to use parts of identical designation.
  - Screws adjacent to  mark on product are used for disassembly.
  - For the applying amount of lubricants or glue, follow the instructions in this manual. (In the case of no amount instructions, apply as you think it appropriate.)

## 9.1 PACKING



## PACKING parts List

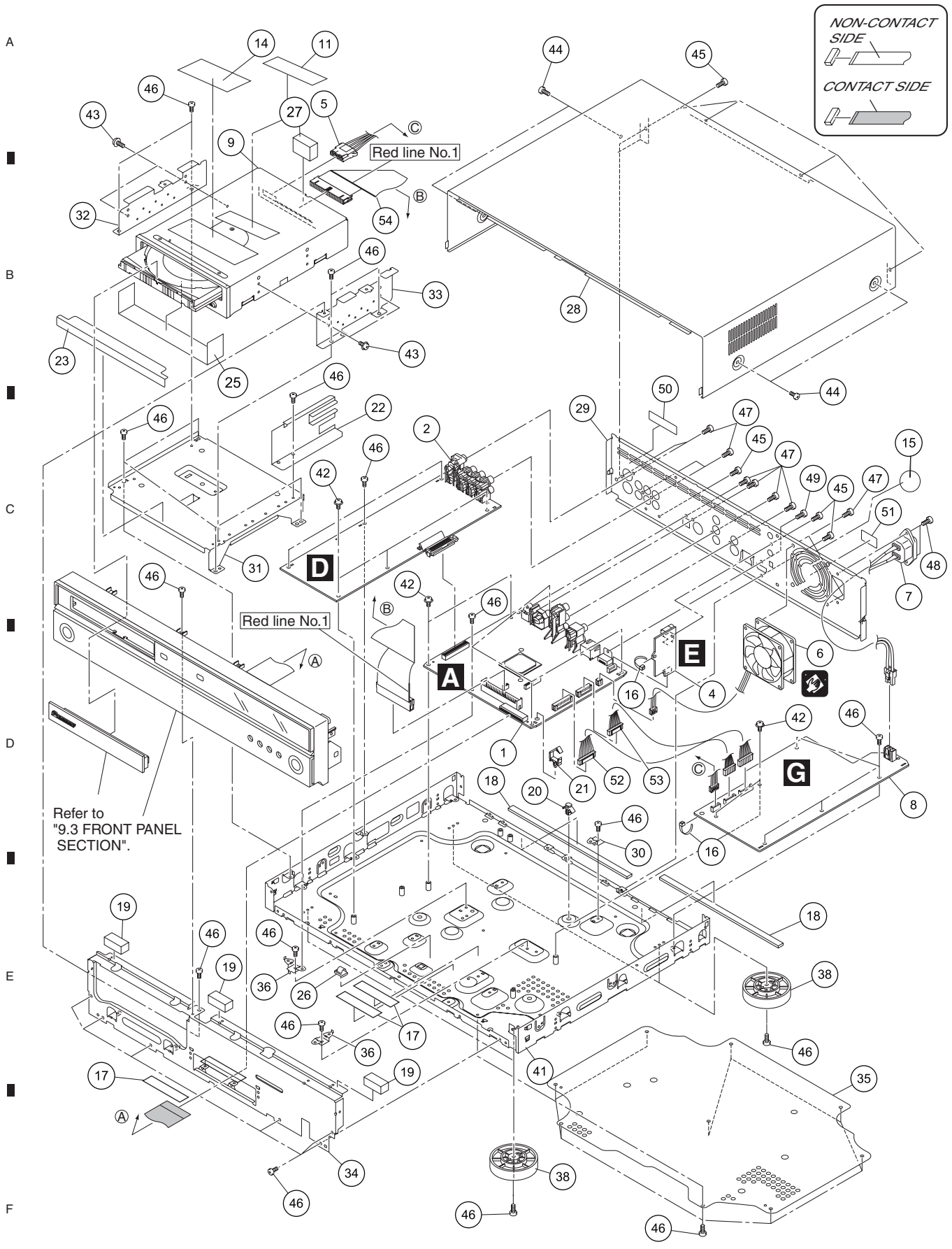
<u>Mark No.</u>	<u>Description</u>	<u>Part No.</u>	<u>Mark No.</u>	<u>Description</u>	<u>Part No.</u>
1	Operating Instructions (English)	See Contrast table (2)	19	WEEE Label	See Contrast table (2)
NSP 2	Warranty Card	See Contrast table (2)	20	Operating Instructions Manual (French)	See Contrast table (2)
3	Remote Control Unit	VXX3208			
4	Battery Cover	AZN7424			
NSP 5	Battery (AA/R6P)	AEX1025	21	Operating Instructions Manual (German)	See Contrast table (2)
6	. . . .		22	Operating Instructions Manual (Italian)	See Contrast table (2)
⚠ 7	AC Power Cord	See Contrast table (2)	23	Operating Instructions Manual (Russian)	See Contrast table (2)
8	Front Pad (PS)	VHA1420	24	Operating Instructions Manual (Spanish)	See Contrast table (2)
9	Rear Pad (PS)	VHA1421			
10	Video Cable	VDE1065	25	Operating Instructions Manual (English / Trad-Chinese)	See Contrast table (2)
11	Stereo Audio Cable	VDE1064	26	Operating Instructions Manual (Simp-Chinese)	See Contrast table (2)
12	Accessory Box	VHC1171	27	Operating Instructions Manual (Simp-Chinese)	See Contrast table (2)
13	Packing Case	See Contrast table (2)			
NSP 14	Polyethylene Bag(230x340)	Z21-038			
15	Mirror Sheet	VHL1006			
16	Polyethylene Bag	VHL1051			
17	LAN Cable (2.0 m)	VDE1098			
18	HDMI Cable (1.5 m)	VDE1094			

## (2) CONTRAST TABLE

BDP-LX70/WY5, BDP-LX70/WV5, BDP-LX70/TL, BDP-LX70/WPW and BDP-LX70/TA5 are constructed the same except for the following :

Mark	No.	Symbol and Description	BDP-LX70/WY5	BDP-LX70/WV5	BDP-LX70/TL	BDP-LX70/WPW	BDP-LX70/TA5
NSP ⚠	1	Operating Instructions (English)	VRB1465	VRB1465	Not used	Not used	Not used
	2	Warranty Card	ARY7022	ARY7022	Not used	Not used	ARY7046
	7	AC Power Cord	ADG7062	ADG7104	ADG7104	ADG7100	ADG7105
	13	Packing Case	VHG2787	VHG2791	VHG2801	VHG2800	VHG2803
	19	WEEE Label	VRW2231	VRW2231	Not used	Not used	Not used
	20	Operating Instructions (French)	VRC1405	Not used	Not used	Not used	Not used
	21	Operating Instructions (German)	VRC1406	Not used	Not used	Not used	Not used
	22	Operating Instructions (Italian)	VRC1407	Not used	Not used	Not used	Not used
	23	Operating Instructions (Russian)	VRC1408	Not used	Not used	Not used	Not used
	24	Operating Instructions (Spanish)	VRC1409	Not used	Not used	Not used	Not used
25	Operating Instructions (English / Trad-Chinese)	Not used	Not used	VRB1467	VRB1467	Not used	
26	Operating Instructions (Simp-Chinese)	Not used	Not used	Not used	Not used	VRC1425	
27	Operating Instructions (Simp-Chinese)	Not used	Not used	VRC1410	Not used	Not used	

# 9.2 EXTERIOR SECTION



EXTERIOR SECTION parts List					
Mark No.	Description	Part No.	Mark No.	Description	Part No.
1	SERVICE MAIN ASSY	VXX3254	29	Rear Panel	See Contrast table (2)
2	AUJB ASSY	VWG2606	NSP 30	PCB Base	VNE2378
3	. . . .				
4	SRJB ASSY	VWG2607	NSP 31	Sub Chassis	VNE2389
5	Housing ASSY (4P)	VKP2398	NSP 32	Writer Stay L	VNE2454
			NSP 33	Writer Stay R	VNE2455
6	DC fan Motor	VXM1122	NSP 34	Front Stay	VNE2393
⚠ 7	AC Inlet ASSY	ADX7523	NSP 35	Layer Plate	VNE2463
⚠ 8	SYPS ASSY	VWR1409			
9	Drive ASSY (BDV-102)	VXX3253	NSP 36	PCB Stay	VNE2399
10	. . . .		37	. . . .	
			38	Insulator Assy	DXA1904
11	Laser Caution	See Contrast table (2)	39	. . . .	
12	. . . .		40	. . . .	
13	. . . .				
NSP 14	Laser Caution	DRW2282	NSP 41	Base Chassis ASSY	VXA2841
NSP 15	CCC S&E Label	See Contrast table (2)	42	Screw	AMZ30P060FTC
			43	Screw	AMZ30P060FTC
NSP 16	Binder	ZCA-BK1	44	Screw	VBA1111
NSP 17	Tape	ZTA-156A-19	45	Screw	BBZ30P060FCC
18	Spacer R	VEB1393			
19	Cushion (20x10)	VEB1395	46	Screw	BBZ30P060FTC
20	Card Spacer	VEC1708	47	Screw	BPZ30P080FCC
			48	Screw	CBZ30P080FCC
NSP 21	Clamp	VEC2418	49	Screw	PCZ30P060FCC
22	Styling Sheet	VEC2560	NSP 50	Serial Label S	VRW2017
23	Barrier A	VEC2570			
24	. . . .		NSP 51	ID Label ASSY	VXW1013
25	Barrier C	VEC2573	52	Connector ASSY	PF11PP6D12
			53	Connector ASSY	PF08PP-D17
26	Small Clamp	VEC2541	54	Housing ASSY (ATA)	VKP2384
27	Gasket (10x15T)	VEC2552			
28	Bonnet Case S	VXX3252			

**(2) CONTRAST TABLE**

BDP-LX70/WY5, BDP-LX70/WV5, BDP-LX70/TL, BDP-LX70/WPW and BDP-LX70/TA5 are constructed the same except for the following :

Mark	No.	Symbol and Description	BDP-LX70/WY5	BDP-LX70/WV5	BDP-LX70/TL	BDP-LX70/WPW	BDP-LX70/TA5
NSP	11	Laser Caution	Not used	Not used	VRW2019	Not used	VRW2130
	15	CCC S&E Label	Not used	Not used	Not used	Not used	DRW2310
	29	Rear Panel	VNA2975	VNA2975	VNA2990	VNA2989	VNA2992

1 2 3 4

# 9.3 FRONT PANEL SECTION

A

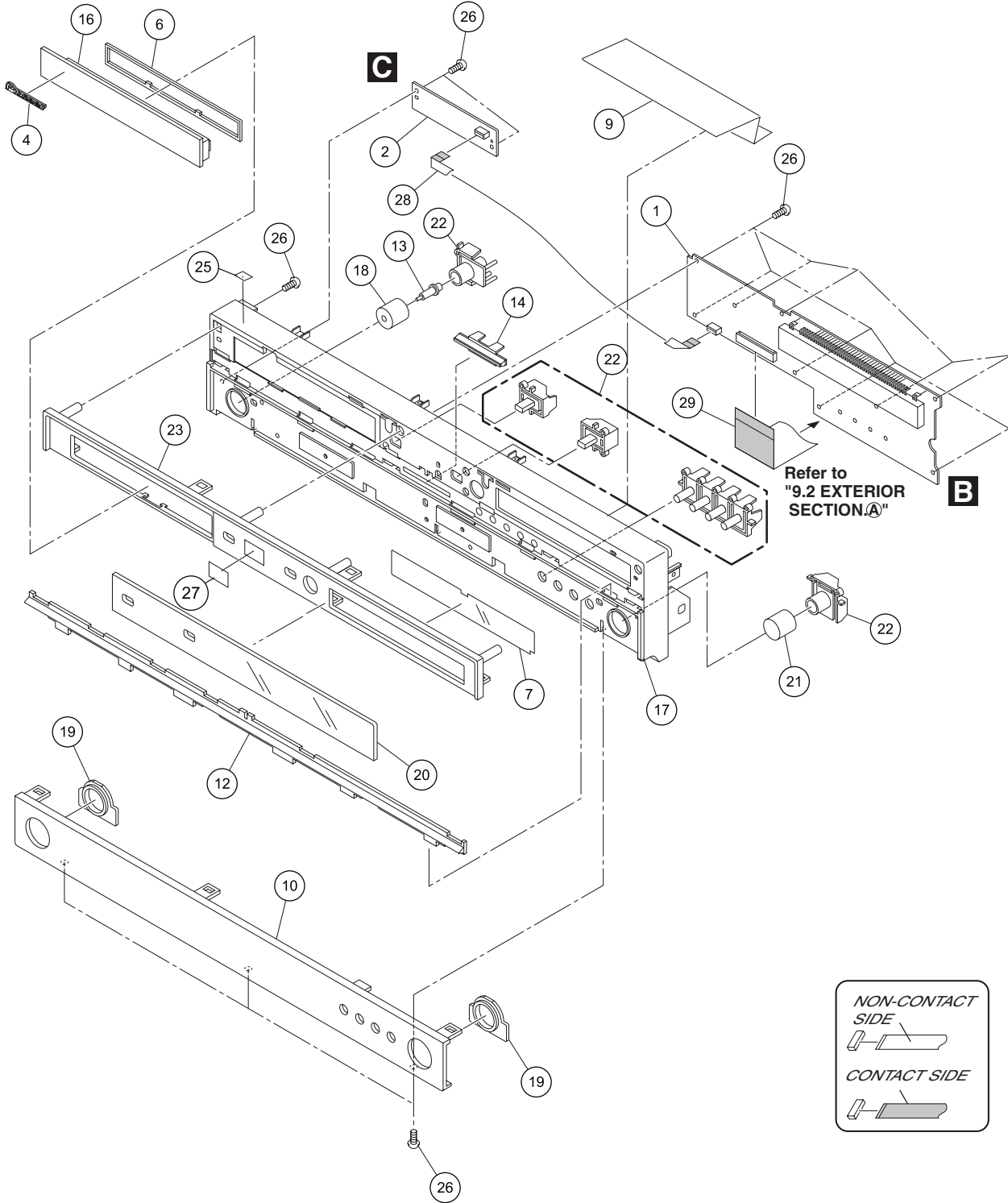
B

C

D

E

F



**FRONT PANEL SECTION parts List**

<u>Mark No.</u>	<u>Description</u>	<u>Part No.</u>	<u>Mark No.</u>	<u>Description</u>	<u>Part No.</u>
1	FLKY ASSY	VWG2603	16	Tray Panel	VNK6195
2	PSWB ASSY	VWG2604	17	Front Panel	See Contrast table (2)
3	. . . . .		18	Key Top PW	VNK6312
4	PIONEER Badge	VAM1158	19	Ring	VNK6200
5	. . . . .		20	FL Lens	See Contrast table (2)
6	Tray Sheet	VEC2467	21	Key Top PL	VNK6213
7	FL Filter	VEC2549	22	Main Key	VNK6197
8	. . . . .		23	Sub Panel	VNK6193
9	Barrier (B)	VEC2571	24	. . . . .	
10	Front Alumi (AL)	See Contrast table (2)	NSP 25	Energy Star Label	See Contrast table (2)
11	. . . . .		26	Screw	BPZ30P080FBN
12	Center Lens	VNK6196	27	Holo Sheet	VRW2331
13	Key Lens	VNK6198	28	Flexible Cable (5P)	VDA2166
14	LED Lens	VNK6199	29	Flexible Cable (30P)	VDA2167
15	. . . . .				

**(2) CONTRAST TABLE**

BDP-LX70/WY5, BDP-LX70/WV5, BDP-LX70/TL, BDP-LX70/WPW and BDP-LX70/TA5 are constructed the same except for the following :

Mark	No.	Symbol and Description	BDP-LX70/WY5	BDP-LX70/WV5	BDP-LX70/TL	BDP-LX70/WPW	BDP-LX70/TA5
	10	Front Alumi (AL)	VAH1439	VAH1439	VAH1449	VAH1449	VAH1449
	17	Front Panel	VNK6192	VNK6192	VNK6263	VNK6263	VNK6263
	20	FL Lens	VNK6194	VNK6194	VNK6265	VNK6265	VNK6265
NSP	25	Energy Star Label	Not used	Not used	Not used	AAX8022	Not used