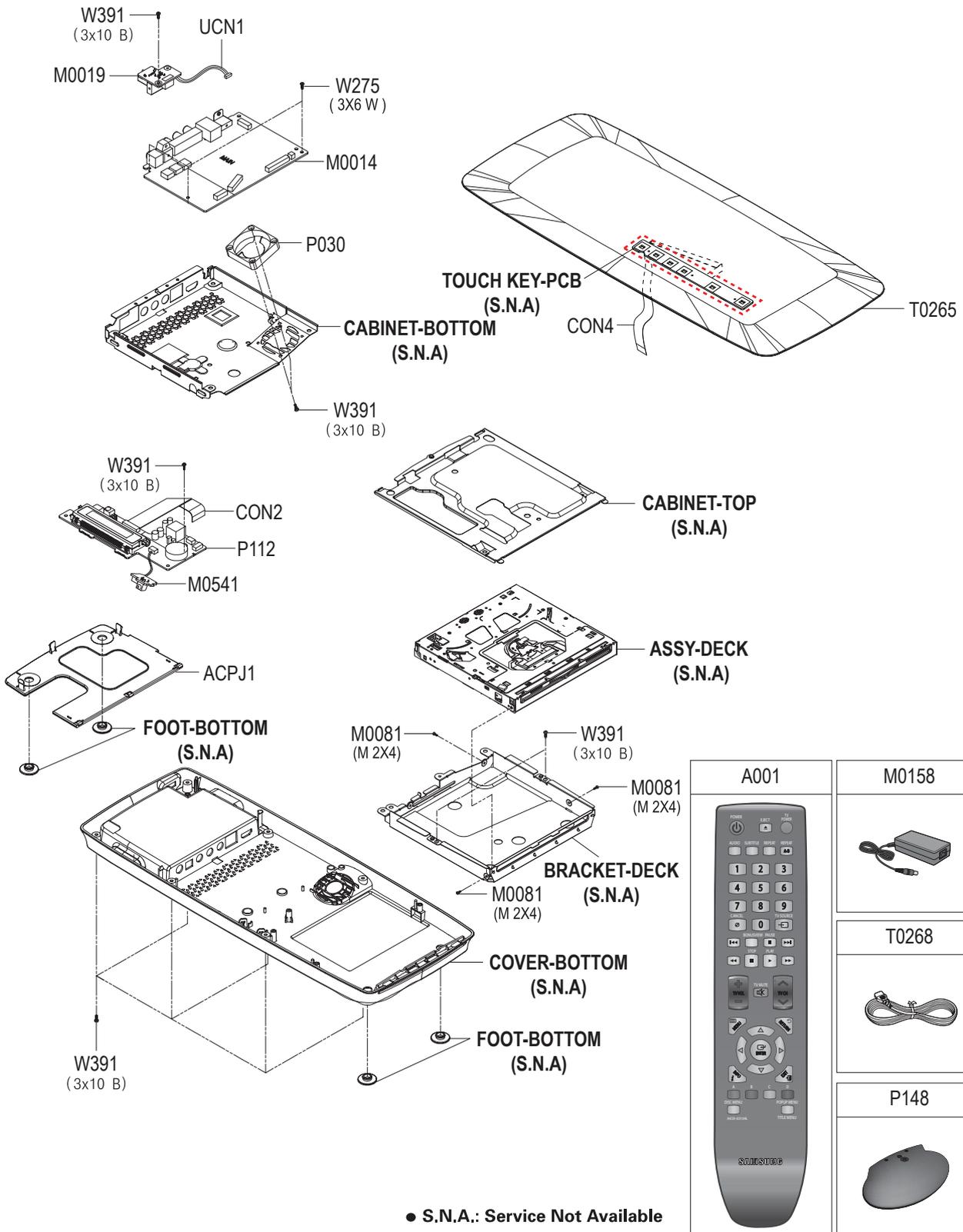

5. Exploded View and Parts List

5-1 Cabinet Assembly----- 5-2

5-2 Deck Parts----- 5-4

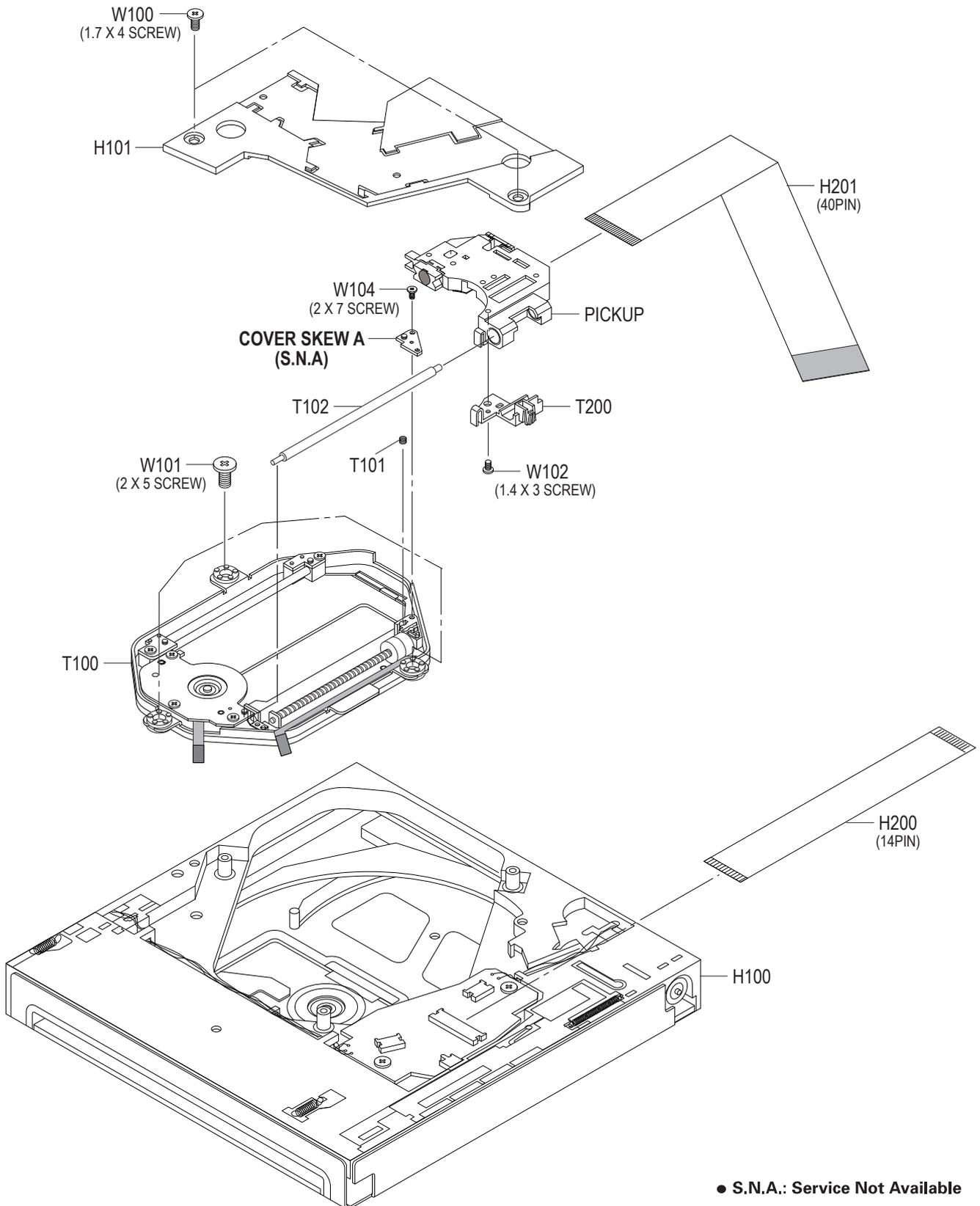
5-3 Electrical Parts List----- 5-6

5-1 Cabinet Assembly



Loc. No	Parts No.	Description ; Specification	Q ty	SNA	Remark
A001	AK59-00104L	REMOCON-ASSY;BD-P4600/XAA,SAMSUNG,4	1	SA	
ACPJ1	AK96-01144A	ASSY COVER P-JACK;BD-P4600,XAA,ABS+	1	SA	
CON2	3708-001388	CONNECTOR-FPC/FFC/PIC;16P,1mm,ANGLE	1	SA	
CON4	3708-001741	CONNECTOR-FPC/FFC/PIC;6P,1mm,STRAIG	1	SA	
M0014	AK92-01807H	ASSY PCB MAIN;BD PLAYER,BD-P4600/XE	1	SA	
M0019	AK92-01809A	ASSY PCB-USB;- ,BD-P4600/XAA,ASSY PC	1	SA	
M0081	6003-001070	SCREW-TAPTYPE;BH,+ ,B,M2,L4,ZPC(BLK)	4	SA	
M0158	BN44-00139A	ADAPTOR;SAD03612A-UV,ADAPTOR,90 ~ 2	1	SA	
M0541	AK92-01879A	ASSY PCB-RMC;- ,BD-P4600/XAA,ASSY PC	1	SA	
P030	3103-001207	FAN-DC;12VDC,40mA,3000rpm,0.065m^3/	1	SA	
P112	AK92-01808A	ASSY PCB-VFD;- ,BD-P4600/XAA,ASSY PC	1	SA	
P148	AK97-02476A	ASSY-STAND;BD-PLAYER,BD-P4600,XAA,-	1	SA	
T0265	AK97-02477B	ASSY-COVER TOP;BD-PLAYER,BD-P4600,X	1	SA	
T0268	3903-000042	CBF-POWER CORD;DT,EU,FP3/YES,IEC320 C	1	SA	
UCN1	3711-002410	HEADER-BOARD TO CABLE;BOX,10P,2R,2m	1	SA	
W391	6003-000275	SCREW-TAPTYPE;BH,+ ,B,M3,L10,ZPC(BLK)	12	SA	
W275	6003-001561	SCREW-TAPTYPE;BH,+ ,-,B,M3,L6,ZPC(WH)	3	SA	

5-2 Deck Parts



Loc. No	Parts No.	Description ; Specification	Q ty	SNA	Remark
H100	AK96-01032A	ASSY HOUSING;BD-S4,-,-,-	1	SA	
H101	AK61-00943A	BRACKET-FPC;BD-S4,POM,NTR	1	SA	
H200	AK41-00875A	FFC-DECK;BD-S4,PET,15,T0.12,L250	1	SA	
H201	AK41-00874A	FFC-PICK UP;BD-S4,PET,40P,T0.08,L25	1	SA	
PICKUP	AK96-01017A	ASSY PICK UP;SOH-SBP1,BD SLIM PICKU	1	SA	
T100	AK96-01011A	ASSY TRAVERSE-DECK;BD-S4,-,-,-	1	SA	
T101	AK61-00919A	SPRING ETC-SKEW;BD-S4,SWPB,PI0.23,O	4	SA	
T102	AK66-00153A	SHAFT-MAIN;BD-S4,SUS303N,OD3.0,NTR,	1	SA	
T200	AK96-01033A	ASSY-HINGE PU;BD-S4,POM+SUS304,-,-	1	SA	
W100	6003-001527	SCREW-TAPTYPE;BH,+,B,M1.7,L4,ZPC(BL	2	SA	
W101	6003-001742	SCREW-TAPTYPE;CH,+,B,M2,L5,ZPC(WHT)	3	SA	
W102	6001-001531	SCREW-MACHINE;CH(0.5),+,M1.4,L3.0,Z	3	SA	
W104	6006-001155	SCREW-MACHINE,;BH,+,M2,L7,ZPC(BLK)	6	SA	

5-3 Electrical Parts List

Loc.No	Parts No.	Description : Specification	Q'ty	S.N.A	Remark	Loc.No	Parts No.	Description : Specification	Q'ty	S.N.A	Remark
M0014	AK92-01807H	ASSY PCB MAIN;BD PLAYER,BD-P4600/XE	1	SA		C129	2203-006048	C-CER,CHIP;100nF,10%,10V,X7R,1005	1	SA	
01-Feb	3301-001655	BEAD-SMD;33ohm,3216,3000mA,TP,16ohm	1	SA		C131	2203-006048	C-CER,CHIP;100nF,10%,10V,X7R,1005	1	SA	
AC1	2203-006048	C-CER,CHIP;100nF,10%,10V,X7R,1005	1	SA		C132	2203-000812	C-CER,CHIP;033nF,5%,50V,C0G-,1005	1	SNA	
AC10	2203-006048	C-CER,CHIP;100nF,10%,10V,X7R,1005	1	SA		C133	2203-000812	C-CER,CHIP;033nF,5%,50V,C0G-,1005	1	SNA	
AC11	2203-006324	C-CER,CHIP;2200nF,10%,10V,X5R,1608	1	SNA		C134	2203-006048	C-CER,CHIP;100nF,10%,10V,X7R,1005	1	SA	
AC12	2203-006324	C-CER,CHIP;2200nF,10%,10V,X5R,1608	1	SNA		C136	2203-000254	C-CER,CHIP;10nF,10%,16V,X7R,1005	1	SA	
AC13	2203-006324	C-CER,CHIP;2200nF,10%,10V,X5R,1608	1	SNA		C137	2203-006048	C-CER,CHIP;100nF,10%,10V,X7R,1005	1	SA	
AC14	2203-006324	C-CER,CHIP;2200nF,10%,10V,X5R,1608	1	SNA		C138	2203-000254	C-CER,CHIP;10nF,10%,16V,X7R,1005	1	SA	
AC15	2203-005834	C-CER,CHIP;2200nF,+80-20%,10V,Y5V,	1	SA		C139	2203-006048	C-CER,CHIP;100nF,10%,10V,X7R,1005	1	SA	
AC2	2203-006048	C-CER,CHIP;100nF,10%,10V,X7R,1005	1	SA		C14	2203-006048	C-CER,CHIP;100nF,10%,10V,X7R,1005	1	SA	
AC3	2203-006048	C-CER,CHIP;100nF,10%,10V,X7R,1005	1	SA		C141	2203-000254	C-CER,CHIP;10nF,10%,16V,X7R,1005	1	SA	
AC4	2203-006048	C-CER,CHIP;100nF,10%,10V,X7R,1005	1	SA		C142	2203-006474	C-CER,CHIP;22000nF,20%,6.3V,X5R,201	1	SA	
AC5	2203-006048	C-CER,CHIP;100nF,10%,10V,X7R,1005	1	SA		C143	2203-000254	C-CER,CHIP;10nF,10%,16V,X7R,1005	1	SA	
AC6	2203-006324	C-CER,CHIP;2200nF,10%,10V,X5R,1608	1	SNA		C145	2203-006361	C-CER,CHIP;10000nF,10%,10V,X5R,TP,2	1	SC	
AC7	2203-001397	C-CER,CHIP;2.2nF,5%,50V,NP0,1608	1	SA		C151	2203-006048	C-CER,CHIP;100nF,10%,10V,X7R,1005	1	SA	
AC8	2203-001397	C-CER,CHIP;2.2nF,5%,50V,NP0,1608	1	SA		C152	2203-006048	C-CER,CHIP;100nF,10%,10V,X7R,1005	1	SA	
AC9	2203-006562	C-CER,CHIP;1000nF,10%,10V,X5R,TP,10	1	SNA		C153	2203-006048	C-CER,CHIP;100nF,10%,10V,X7R,1005	1	SA	
AIC1	1002-001581	IC-D/A CONVERTER;CS4353-CNZR,24,QFN	1	SNA		C154	2203-006048	C-CER,CHIP;100nF,10%,10V,X7R,1005	1	SA	
AL1	2703-000166	INDUCTOR-SMD;2.7uH,5%,3225	1	SA		C155	2203-006048	C-CER,CHIP;100nF,10%,10V,X7R,1005	1	SA	
AR10	2007-007441	R-CHIP;562ohm,1%,1/10W,TP,1608	1	SNA		C156	2203-006048	C-CER,CHIP;100nF,10%,10V,X7R,1005	1	SA	
AR2	2007-001292	R-CHIP;33ohm,5%,1/16W,TP,1005	1	SNA		C157	2203-006048	C-CER,CHIP;100nF,10%,10V,X7R,1005	1	SA	
AR22	2007-000148	R-CHIP;10Kohm,5%,1/16W,TP,1005	1	SA		C158	2203-006048	C-CER,CHIP;100nF,10%,10V,X7R,1005	1	SA	
AR23	2007-000148	R-CHIP;10Kohm,5%,1/16W,TP,1005	1	SA		C159	2203-006048	C-CER,CHIP;100nF,10%,10V,X7R,1005	1	SA	
AR3	2007-000143	R-CHIP;4.7Kohm,5%,1/16W,TP,1005	1	SNA		C160	2203-006048	C-CER,CHIP;100nF,10%,10V,X7R,1005	1	SA	
AR4	2007-001292	R-CHIP;33ohm,5%,1/16W,TP,1005	1	SNA		C161	2203-006048	C-CER,CHIP;100nF,10%,10V,X7R,1005	1	SA	
AR5	2007-001292	R-CHIP;33ohm,5%,1/16W,TP,1005	1	SNA		C17	2203-000254	C-CER,CHIP;10nF,10%,16V,X7R,1005	1	SA	
AR6	2007-001292	R-CHIP;33ohm,5%,1/16W,TP,1005	1	SNA		C18	2203-000254	C-CER,CHIP;10nF,10%,16V,X7R,1005	1	SA	
AR7	2007-000143	R-CHIP;4.7Kohm,5%,1/16W,TP,1005	1	SNA		C19	2203-006361	C-CER,CHIP;10000nF,10%,10V,X5R,TP,2	1	SC	
AR8	2007-000143	R-CHIP;4.7Kohm,5%,1/16W,TP,1005	1	SNA		C2	2203-006048	C-CER,CHIP;100nF,10%,10V,X7R,1005	1	SA	
AR9	2007-007441	R-CHIP;562ohm,1%,1/10W,TP,1608	1	SNA		C20	2203-006048	C-CER,CHIP;100nF,10%,10V,X7R,1005	1	SA	
C10	2203-006048	C-CER,CHIP;100nF,10%,10V,X7R,1005	1	SA		C21	2203-006048	C-CER,CHIP;100nF,10%,10V,X7R,1005	1	SA	
C100	2203-006048	C-CER,CHIP;100nF,10%,10V,X7R,1005	1	SA		C22	2203-006048	C-CER,CHIP;100nF,10%,10V,X7R,1005	1	SA	
C101	2203-006048	C-CER,CHIP;100nF,10%,10V,X7R,1005	1	SA		C23	2203-006048	C-CER,CHIP;100nF,10%,10V,X7R,1005	1	SA	
C102	2203-006048	C-CER,CHIP;100nF,10%,10V,X7R,1005	1	SA		C24	2203-006048	C-CER,CHIP;100nF,10%,10V,X7R,1005	1	SA	
C103	2203-006048	C-CER,CHIP;100nF,10%,10V,X7R,1005	1	SA		C25	2203-006048	C-CER,CHIP;100nF,10%,10V,X7R,1005	1	SA	
C104	2203-006048	C-CER,CHIP;100nF,10%,10V,X7R,1005	1	SA		C26	2203-006048	C-CER,CHIP;100nF,10%,10V,X7R,1005	1	SA	
C105	2203-006048	C-CER,CHIP;100nF,10%,10V,X7R,1005	1	SA		C27	2203-006048	C-CER,CHIP;100nF,10%,10V,X7R,1005	1	SA	
C106	2203-006048	C-CER,CHIP;100nF,10%,10V,X7R,1005	1	SA		C28	2203-006048	C-CER,CHIP;100nF,10%,10V,X7R,1005	1	SA	
C107	2203-006048	C-CER,CHIP;100nF,10%,10V,X7R,1005	1	SA		C29	2203-006048	C-CER,CHIP;100nF,10%,10V,X7R,1005	1	SA	
C108	2203-006048	C-CER,CHIP;100nF,10%,10V,X7R,1005	1	SA		C30	2203-006048	C-CER,CHIP;100nF,10%,10V,X7R,1005	1	SA	
C109	2203-006048	C-CER,CHIP;100nF,10%,10V,X7R,1005	1	SA		C301	2203-006361	C-CER,CHIP;10000nF,10%,10V,X5R,TP,2	1	SC	
C110	2203-006361	C-CER,CHIP;10000nF,10%,10V,X5R,TP,2	1	SC		C302	2203-006048	C-CER,CHIP;100nF,10%,10V,X7R,1005	1	SA	
C111	2203-006048	C-CER,CHIP;100nF,10%,10V,X7R,1005	1	SA		C303	2203-006048	C-CER,CHIP;100nF,10%,10V,X7R,1005	1	SA	
C112	2203-006048	C-CER,CHIP;100nF,10%,10V,X7R,1005	1	SA		C31	2203-006048	C-CER,CHIP;100nF,10%,10V,X7R,1005	1	SA	
C113	2203-006048	C-CER,CHIP;100nF,10%,10V,X7R,1005	1	SA		C310	2203-006562	C-CER,CHIP;1000nF,10%,10V,X5R,TP,10	1	SNA	
C114	2203-006048	C-CER,CHIP;100nF,10%,10V,X7R,1005	1	SA		C311	2203-006048	C-CER,CHIP;100nF,10%,10V,X7R,1005	1	SA	
C115	2203-006048	C-CER,CHIP;100nF,10%,10V,X7R,1005	1	SA		C312	2203-006048	C-CER,CHIP;100nF,10%,10V,X7R,1005	1	SA	
C116	2203-006048	C-CER,CHIP;100nF,10%,10V,X7R,1005	1	SA		C314	2203-006048	C-CER,CHIP;100nF,10%,10V,X7R,1005	1	SA	
C117	2203-006048	C-CER,CHIP;100nF,10%,10V,X7R,1005	1	SA		C315	2203-006048	C-CER,CHIP;100nF,10%,10V,X7R,1005	1	SA	
C118	2203-006048	C-CER,CHIP;100nF,10%,10V,X7R,1005	1	SA		C316	2203-006048	C-CER,CHIP;100nF,10%,10V,X7R,1005	1	SA	
C119	2203-006048	C-CER,CHIP;100nF,10%,10V,X7R,1005	1	SA		C36	2203-006474	C-CER,CHIP;22000nF,20%,6.3V,X5R,201	1	SA	
C120	2203-006048	C-CER,CHIP;100nF,10%,10V,X7R,1005	1	SA		C42	2203-006361	C-CER,CHIP;10000nF,10%,10V,X5R,TP,2	1	SC	
C121	2203-006048	C-CER,CHIP;100nF,10%,10V,X7R,1005	1	SA		C43	2203-006361	C-CER,CHIP;10000nF,10%,10V,X5R,TP,2	1	SC	
C122	2203-006048	C-CER,CHIP;100nF,10%,10V,X7R,1005	1	SA		C44	2203-006361	C-CER,CHIP;10000nF,10%,10V,X5R,TP,2	1	SC	
C123	2203-006048	C-CER,CHIP;100nF,10%,10V,X7R,1005	1	SA		C46	2203-006048	C-CER,CHIP;100nF,10%,10V,X7R,1005	1	SA	
C124	2203-006048	C-CER,CHIP;100nF,10%,10V,X7R,1005	1	SA		C47	2203-006048	C-CER,CHIP;100nF,10%,10V,X7R,1005	1	SA	
C125	2203-006048	C-CER,CHIP;100nF,10%,10V,X7R,1005	1	SA		C48	2203-006048	C-CER,CHIP;100nF,10%,10V,X7R,1005	1	SA	
C126	2203-006048	C-CER,CHIP;100nF,10%,10V,X7R,1005	1	SA		C49	2203-006048	C-CER,CHIP;100nF,10%,10V,X7R,1005	1	SA	
C127	2203-006048	C-CER,CHIP;100nF,10%,10V,X7R,1005	1	SA		C5	2203-006361	C-CER,CHIP;10000nF,10%,10V,X5R,TP,2	1	SC	
C128	2203-006048	C-CER,CHIP;100nF,10%,10V,X7R,1005	1	SA		C50	2203-006048	C-CER,CHIP;100nF,10%,10V,X7R,1005	1	SA	

Loc.No	Parts No.	Description : Specification	Q'ty	S.N.A	Remark	Loc.No	Parts No.	Description : Specification	Q'ty	S.N.A	Remark
C51	2203-006048	C-CER,CHIP;100nF,10%,10V,X7R,1005	1	SA		FEC102	2203-006698	C-CER,CHIP;1000nF,10%,25V,X7R,1608	1	SNA	
C52	2203-006048	C-CER,CHIP;100nF,10%,10V,X7R,1005	1	SA		FEC103	2203-006048	C-CER,CHIP;100nF,10%,10V,X7R,1005	1	SA	
C53	2203-006361	C-CER,CHIP;1000nF,10%,10V,X5R,TP,2	1	SC		FEC104	2203-006048	C-CER,CHIP;100nF,10%,10V,X7R,1005	1	SA	
C54	2203-006361	C-CER,CHIP;1000nF,10%,10V,X5R,TP,2	1	SC		FEC105	2203-006048	C-CER,CHIP;100nF,10%,10V,X7R,1005	1	SA	
C55	2203-006361	C-CER,CHIP;1000nF,10%,10V,X5R,TP,2	1	SC		FEC106	2203-006048	C-CER,CHIP;100nF,10%,10V,X7R,1005	1	SA	
C56	2203-006048	C-CER,CHIP;100nF,10%,10V,X7R,1005	1	SA		FEC107	2203-006048	C-CER,CHIP;100nF,10%,10V,X7R,1005	1	SA	
C57	2203-006048	C-CER,CHIP;100nF,10%,10V,X7R,1005	1	SA		FEC108	2203-006361	C-CER,CHIP;10000nF,10%,10V,X5R,TP,2	1	SC	
C58	2203-006048	C-CER,CHIP;100nF,10%,10V,X7R,1005	1	SA		FEC109	2203-006361	C-CER,CHIP;10000nF,10%,10V,X5R,TP,2	1	SC	
C59	2203-006048	C-CER,CHIP;100nF,10%,10V,X7R,1005	1	SA		FEC110	2203-006361	C-CER,CHIP;10000nF,10%,10V,X5R,TP,2	1	SC	
C6	2203-006048	C-CER,CHIP;100nF,10%,10V,X7R,1005	1	SA		FEC111	2203-006048	C-CER,CHIP;100nF,10%,10V,X7R,1005	1	SA	
C60	2203-006048	C-CER,CHIP;100nF,10%,10V,X7R,1005	1	SA		FEC112	2203-006048	C-CER,CHIP;100nF,10%,10V,X7R,1005	1	SA	
C61	2203-006048	C-CER,CHIP;100nF,10%,10V,X7R,1005	1	SA		FEC113	2203-006361	C-CER,CHIP;10000nF,10%,10V,X5R,TP,2	1	SC	
C62	2203-006048	C-CER,CHIP;100nF,10%,10V,X7R,1005	1	SA		FEC114	2203-006361	C-CER,CHIP;10000nF,10%,10V,X5R,TP,2	1	SC	
C63	2203-006048	C-CER,CHIP;100nF,10%,10V,X7R,1005	1	SA		FEC115	2203-006048	C-CER,CHIP;100nF,10%,10V,X7R,1005	1	SA	
C69	2203-006048	C-CER,CHIP;100nF,10%,10V,X7R,1005	1	SA		FEC116	2203-006048	C-CER,CHIP;100nF,10%,10V,X7R,1005	1	SA	
C70	2203-006048	C-CER,CHIP;100nF,10%,10V,X7R,1005	1	SA		FEC117	2203-006361	C-CER,CHIP;10000nF,10%,10V,X5R,TP,2	1	SC	
C71	2203-006048	C-CER,CHIP;100nF,10%,10V,X7R,1005	1	SA		FEC118	2203-006361	C-CER,CHIP;10000nF,10%,10V,X5R,TP,2	1	SC	
C72	2203-006048	C-CER,CHIP;100nF,10%,10V,X7R,1005	1	SA		FEC119	2203-006048	C-CER,CHIP;100nF,10%,10V,X7R,1005	1	SA	
C73	2203-006048	C-CER,CHIP;100nF,10%,10V,X7R,1005	1	SA		FEC12	2203-007133	C-CER,CHIP;10000nF,10%,16V,X5R,TP,2	1	SNA	
C74	2203-006048	C-CER,CHIP;100nF,10%,10V,X7R,1005	1	SA		FEC120	2203-006048	C-CER,CHIP;100nF,10%,10V,X7R,1005	1	SA	
C79	2203-006048	C-CER,CHIP;100nF,10%,10V,X7R,1005	1	SA		FEC121	2203-006048	C-CER,CHIP;100nF,10%,10V,X7R,1005	1	SA	
C8	2203-006048	C-CER,CHIP;100nF,10%,10V,X7R,1005	1	SA		FEC122	2203-006048	C-CER,CHIP;100nF,10%,10V,X7R,1005	1	SA	
C81	2203-006048	C-CER,CHIP;100nF,10%,10V,X7R,1005	1	SA		FEC123	2203-006048	C-CER,CHIP;100nF,10%,10V,X7R,1005	1	SA	
C82	2203-006361	C-CER,CHIP;10000nF,10%,10V,X5R,TP,2	1	SC		FEC124	2203-006827	C-CER,CHIP;0.022nF,5%,50V,COG,1005	1	SNA	
C84	2203-006361	C-CER,CHIP;10000nF,10%,10V,X5R,TP,2	1	SC		FEC125	2203-006048	C-CER,CHIP;100nF,10%,10V,X7R,1005	1	SA	
C85	2203-006048	C-CER,CHIP;100nF,10%,10V,X7R,1005	1	SA		FEC126	2203-006048	C-CER,CHIP;100nF,10%,10V,X7R,1005	1	SA	
C86	2203-006048	C-CER,CHIP;100nF,10%,10V,X7R,1005	1	SA		FEC127	2203-006827	C-CER,CHIP;0.022nF,5%,50V,COG,1005	1	SNA	
C87	2203-006361	C-CER,CHIP;10000nF,10%,10V,X5R,TP,2	1	SC		FEC128	2203-006048	C-CER,CHIP;100nF,10%,10V,X7R,1005	1	SA	
C88	2203-006048	C-CER,CHIP;100nF,10%,10V,X7R,1005	1	SA		FEC129	2203-000254	C-CER,CHIP;10nF,10%,16V,X7R,1005	1	SA	
C89	2203-006048	C-CER,CHIP;100nF,10%,10V,X7R,1005	1	SA		FEC130	2203-000254	C-CER,CHIP;10nF,10%,16V,X7R,1005	1	SA	
C9	2203-000233	C-CER,CHIP;0.1nF,5%,50V,COG,1005	1	SA		FEC131	2203-000254	C-CER,CHIP;10nF,10%,16V,X7R,1005	1	SA	
C90	2203-006048	C-CER,CHIP;100nF,10%,10V,X7R,1005	1	SA		FEC132	2203-000254	C-CER,CHIP;10nF,10%,16V,X7R,1005	1	SA	
C91	2203-006048	C-CER,CHIP;100nF,10%,10V,X7R,1005	1	SA		FEC133	2203-006048	C-CER,CHIP;100nF,10%,10V,X7R,1005	1	SA	
C92	2203-006048	C-CER,CHIP;100nF,10%,10V,X7R,1005	1	SA		FEC134	2203-006361	C-CER,CHIP;10000nF,10%,10V,X5R,TP,2	1	SC	
C93	2203-006048	C-CER,CHIP;100nF,10%,10V,X7R,1005	1	SA		FEC136	2203-006361	C-CER,CHIP;10000nF,10%,10V,X5R,TP,2	1	SC	
C94	2203-006048	C-CER,CHIP;100nF,10%,10V,X7R,1005	1	SA		FEC137	2203-006048	C-CER,CHIP;100nF,10%,10V,X7R,1005	1	SA	
C95	2203-006048	C-CER,CHIP;100nF,10%,10V,X7R,1005	1	SA		FEC138	2203-006361	C-CER,CHIP;10000nF,10%,10V,X5R,TP,2	1	SC	
C99	2203-006048	C-CER,CHIP;100nF,10%,10V,X7R,1005	1	SA		FEC139	2203-005692	C-CER,CHIP;4700nF,+80-20%,16V,Y5V,T	1	SC	
CON17	3708-002163	CONNECTOR-FPC/FPC/PIC;14P,1mm,SMD-A	1	SNA		FEC14	2203-006048	C-CER,CHIP;100nF,10%,10V,X7R,1005	1	SA	
CON5	3708-002203	CONNECTOR-FPC/FPC/PIC;40P,0.5mm,SMD	1	SA		FEC140	2203-006361	C-CER,CHIP;10000nF,10%,10V,X5R,TP,2	1	SC	
ECON1	3722-002549	JACK-MODULAR;12P/8C,N,ANGLE,N,AU,1P	1	SA		FEC141	2203-006048	C-CER,CHIP;100nF,10%,10V,X7R,1005	1	SA	
EL1	3301-000317	BEAD-SMD;120ohm,2012,TP,-,-	1	SA		FEC2	2203-006048	C-CER,CHIP;100nF,10%,10V,X7R,1005	1	SA	
FANCN	3711-000820	HEADER-BOARD TO CABLE;BOX,2P,1R,2,5	1	SNA		FEC20	2203-000812	C-CER,CHIP;0.033nF,5%,50V,COG,-,1005	1	SNA	
FANL1	3301-000314	BEAD-SMD;120ohm,1.6x0.8x0.8mm,-,-,-	1	SNA		FEC21	2203-006361	C-CER,CHIP;10000nF,10%,10V,X5R,TP,2	1	SC	
FC1	2203-006361	C-CER,CHIP;10000nF,10%,10V,X5R,TP,2	1	SC		FEC22	2203-006361	C-CER,CHIP;10000nF,10%,10V,X5R,TP,2	1	SC	
FC10	2203-006048	C-CER,CHIP;100nF,10%,10V,X7R,1005	1	SA		FEC28	2203-006361	C-CER,CHIP;10000nF,10%,10V,X5R,TP,2	1	SC	
FC11	2203-006048	C-CER,CHIP;100nF,10%,10V,X7R,1005	1	SA		FEC3	2203-006048	C-CER,CHIP;100nF,10%,10V,X7R,1005	1	SA	
FC13	2203-006048	C-CER,CHIP;100nF,10%,10V,X7R,1005	1	SA		FEC30	2203-006048	C-CER,CHIP;100nF,10%,10V,X7R,1005	1	SA	
FC2	2203-000254	C-CER,CHIP;10nF,10%,16V,X7R,1005	1	SA		FEC308	2203-006827	C-CER,CHIP;0.022nF,5%,50V,COG,1005	1	SNA	
FC21	2203-005148	C-CER,CHIP;100nF,10%,16V,X7R,TP,160	1	SNA		FEC309	2203-006048	C-CER,CHIP;100nF,10%,10V,X7R,1005	1	SA	
FC22	2203-005148	C-CER,CHIP;100nF,10%,16V,X7R,TP,160	1	SNA		FEC31	2203-005148	C-CER,CHIP;100nF,10%,16V,X7R,TP,160	1	SNA	
FC23	2203-006048	C-CER,CHIP;100nF,10%,10V,X7R,1005	1	SA		FEC310	2203-000438	C-CER,CHIP;1nF,10%,50V,X7R,1005	1	SA	
FC24	2203-006048	C-CER,CHIP;100nF,10%,10V,X7R,1005	1	SA		FEC314	2203-000438	C-CER,CHIP;1nF,10%,50V,X7R,1005	1	SA	
FC5	2203-006048	C-CER,CHIP;100nF,10%,10V,X7R,1005	1	SA		FEC315	2203-000438	C-CER,CHIP;1nF,10%,50V,X7R,1005	1	SA	
FC6	2203-006048	C-CER,CHIP;100nF,10%,10V,X7R,1005	1	SA		FEC317	2203-006361	C-CER,CHIP;10000nF,10%,10V,X5R,TP,2	1	SC	
FC7	2203-006361	C-CER,CHIP;10000nF,10%,10V,X5R,TP,2	1	SC		FEC318	2203-006048	C-CER,CHIP;100nF,10%,10V,X7R,1005	1	SA	
FC8	2203-006048	C-CER,CHIP;100nF,10%,10V,X7R,1005	1	SA		FEC319	2203-006048	C-CER,CHIP;100nF,10%,10V,X7R,1005	1	SA	
FC9	2203-006048	C-CER,CHIP;100nF,10%,10V,X7R,1005	1	SA		FEC32	2203-006048	C-CER,CHIP;100nF,10%,10V,X7R,1005	1	SA	
FCON1	3708-001252	CONNECTOR-FPC/FPC/PIC;16P,1mm,STRAI	1	SA		FEC320	2203-000726	C-CER,CHIP;3.9nF,10%,50V,X7R,1608	1	SA	
FD1	0401-001049	DIODE-SWITCHING;LS4148,75V,150mA,SO	1	SA		FEC321	2203-000726	C-CER,CHIP;3.9nF,10%,50V,X7R,1608	1	SA	
FEC1	2203-006048	C-CER,CHIP;100nF,10%,10V,X7R,1005	1	SA		FEC327	2203-006361	C-CER,CHIP;10000nF,10%,10V,X5R,TP,2	1	SC	
FEC10	2203-006361	C-CER,CHIP;10000nF,10%,10V,X5R,TP,2	1	SC		FEC328	2203-006048	C-CER,CHIP;100nF,10%,10V,X7R,1005	1	SA	
FEC100	2203-006048	C-CER,CHIP;100nF,10%,10V,X7R,1005	1	SA		FEC329	2203-000726	C-CER,CHIP;3.9nF,10%,50V,X7R,1608	1	SA	
FEC101	2203-006048	C-CER,CHIP;100nF,10%,10V,X7R,1005	1	SA							

Exploded Views and Parts List

Loc.No	Parts No.	Description : Specification	Q'ty	S.N.A	Remark	Loc.No	Parts No.	Description : Specification	Q'ty	S.N.A	Remark
FEC33	2203-006048	C-CER,CHIP;100nF,10%,10V,X7R,1005	1	SA		FER132	2007-000155	R-CHIP;27Kohm,5%,1/16W,TP,1005	1	SNA	
FEC330	2203-000726	C-CER,CHIP;3.9nF,10%,50V,X7R,1608	1	SA		FER133	2007-000155	R-CHIP;27Kohm,5%,1/16W,TP,1005	1	SNA	
FEC331	2203-006158	C-CER,CHIP;100nF,10%,16V,X7R,1005	1	SA		FER139	2007-000341	R-CHIP;120Kohm,5%,1/4W,TP,3216	1	SNA	
FEC332	2203-001124	C-CER,CHIP;0.68nF,10%,50V,X7R,TP,10	1	SA		FER140	2007-000341	R-CHIP;120Kohm,5%,1/4W,TP,3216	1	SNA	
FEC333	2404-000284	C-TA,CHIP;10uF,20%,16V,-,TP,3528	1	SA		FER141	2007-000159	R-CHIP;56Kohm,5%,1/16W,TP,1005	1	SA	
FEC34	2203-006048	C-CER,CHIP;100nF,10%,10V,X7R,1005	1	SA		FER142	2007-007316	R-CHIP;3.3Kohm,1%,1/16W,TP,1005	1	SNA	
FEC5	2203-006036	C-CER,CHIP;680nF,+80-20%,16V,Y5V,TP	1	SNA		FER143	2007-000341	R-CHIP;120Kohm,5%,1/4W,TP,3216	1	SNA	
FEC51	2203-006361	C-CER,CHIP;10000nF,10%,10V,X5R,TP,2	1	SC		FER144	2007-000341	R-CHIP;120Kohm,5%,1/4W,TP,3216	1	SNA	
FEC57	2203-006048	C-CER,CHIP;100nF,10%,10V,X7R,1005	1	SA		FER150	2007-000140	R-CHIP;1Kohm,5%,1/16W,TP,1005	1	SNA	
FEC6	2203-006048	C-CER,CHIP;100nF,10%,10V,X7R,1005	1	SA		FER152	2007-000171	R-CHIP;0ohm,5%,1/16W,TP,1005	1	SNA	
FEC60	2203-006048	C-CER,CHIP;100nF,10%,10V,X7R,1005	1	SA		FER18	2007-000157	R-CHIP;47Kohm,5%,1/16W,TP,1005	1	SNA	
FEC61	2203-006048	C-CER,CHIP;100nF,10%,10V,X7R,1005	1	SA		FER19	2007-000157	R-CHIP;47Kohm,5%,1/16W,TP,1005	1	SNA	
FEC62	2203-006048	C-CER,CHIP;100nF,10%,10V,X7R,1005	1	SA		FER2	2007-000141	R-CHIP;2.2Kohm,5%,1/16W,TP,1005	1	SA	
FEC63	2203-006048	C-CER,CHIP;100nF,10%,10V,X7R,1005	1	SA		FER20	2007-000143	R-CHIP;4.7Kohm,5%,1/16W,TP,1005	1	SNA	
FEC64	2203-006048	C-CER,CHIP;100nF,10%,10V,X7R,1005	1	SA		FER200	3301-001689	BEAD-SMD;220ohm,2012,TP,80ohm/100MH	1	SA	
FEC65	2203-006048	C-CER,CHIP;100nF,10%,10V,X7R,1005	1	SA		FER21	2007-007316	R-CHIP;3.3Kohm,1%,1/16W,TP,1005	1	SNA	
FEC66	2203-006048	C-CER,CHIP;100nF,10%,10V,X7R,1005	1	SA		FER22	2007-007316	R-CHIP;3.3Kohm,1%,1/16W,TP,1005	1	SNA	
FEC67	2203-006048	C-CER,CHIP;100nF,10%,10V,X7R,1005	1	SA		FER29	2007-000143	R-CHIP;4.7Kohm,5%,1/16W,TP,1005	1	SNA	
FEC7	2203-006048	C-CER,CHIP;100nF,10%,10V,X7R,1005	1	SA		FER3	2007-000242	R-CHIP;1.5Kohm,5%,1/16W,TP,1005	1	SNA	
FEC77	2203-006361	C-CER,CHIP;10000nF,10%,10V,X5R,TP,2	1	SC		FER31	2007-000171	R-CHIP;0ohm,5%,1/16W,TP,1005	1	SNA	
FEC79	2203-006361	C-CER,CHIP;10000nF,10%,10V,X5R,TP,2	1	SC		FER32	2007-000171	R-CHIP;0ohm,5%,1/16W,TP,1005	1	SNA	
FEC82	2203-006048	C-CER,CHIP;100nF,10%,10V,X7R,1005	1	SA		FER44	2007-000171	R-CHIP;0ohm,5%,1/16W,TP,1005	1	SNA	
FEC83	2203-006048	C-CER,CHIP;100nF,10%,10V,X7R,1005	1	SA		FER45	2007-000148	R-CHIP;10Kohm,5%,1/16W,TP,1005	1	SA	
FEC84	2203-006048	C-CER,CHIP;100nF,10%,10V,X7R,1005	1	SA		FER57	2007-008275	R-CHIP;30Kohm,1%,1/16W,TP,1005	1	SNA	
FEC85	2203-006048	C-CER,CHIP;100nF,10%,10V,X7R,1005	1	SA		FER67	2007-000162	R-CHIP;100Kohm,5%,1/16W,TP,1005	1	SA	
FEC86	2203-006048	C-CER,CHIP;100nF,10%,10V,X7R,1005	1	SA		FER68	2007-000148	R-CHIP;10Kohm,5%,1/16W,TP,1005	1	SA	
FEC87	2203-006361	C-CER,CHIP;10000nF,10%,10V,X5R,TP,2	1	SC		FER69	2007-007135	R-CHIP;18Kohm,1%,1/16W,TP,1005	1	SNA	
FEC88	2203-006361	C-CER,CHIP;10000nF,10%,10V,X5R,TP,2	1	SC		FER70	2007-007135	R-CHIP;18Kohm,1%,1/16W,TP,1005	1	SNA	
FEC89	2203-006048	C-CER,CHIP;100nF,10%,10V,X7R,1005	1	SA		FER73	2007-008275	R-CHIP;30Kohm,1%,1/16W,TP,1005	1	SNA	
FEC9	2203-006333	C-CER,CHIP;10000nF,20%,16V,X5R,TP,3	1	SNA		FER74	2007-007135	R-CHIP;18Kohm,1%,1/16W,TP,1005	1	SNA	
FEC90	2203-001405	C-CER,CHIP;22nF,+80-20%,25V,Y5V,100	1	SA		FER75	2007-007135	R-CHIP;18Kohm,1%,1/16W,TP,1005	1	SNA	
FEC91	2203-001405	C-CER,CHIP;22nF,+80-20%,25V,Y5V,100	1	SA		FER85	2007-002425	R-CHIP;1ohm,5%,1/10W,TP,1608	1	SNA	
FEC92	2203-000491	C-CER,CHIP;2.2nF,10%,50V,X7R,1608	1	SA		FER87	2007-007313	R-CHIP;6.8Kohm,1%,1/16W,TP,1005	1	SA	
FEC93	2203-006361	C-CER,CHIP;10000nF,10%,10V,X5R,TP,2	1	SC		FER81	2007-000148	R-CHIP;10Kohm,5%,1/16W,TP,1005	1	SA	
FEC94	2203-006048	C-CER,CHIP;100nF,10%,10V,X7R,1005	1	SA		FER92	2007-000148	R-CHIP;10Kohm,5%,1/16W,TP,1005	1	SA	
FEC95	2203-006048	C-CER,CHIP;100nF,10%,10V,X7R,1005	1	SA		FER93	2007-008297	R-CHIP;33.2Kohm,1%,1/16W,TP,1005	1	SNA	
FEC96	2203-006048	C-CER,CHIP;100nF,10%,10V,X7R,1005	1	SA		FER94	2007-000140	R-CHIP;1Kohm,5%,1/16W,TP,1005	1	SNA	
FEC97	2203-006048	C-CER,CHIP;100nF,10%,10V,X7R,1005	1	SA		FER949	2007-000072	R-CHIP;47ohm,5%,1/10W,TP,1608	1	SNA	
FEC98	2203-006048	C-CER,CHIP;100nF,10%,10V,X7R,1005	1	SA		FER95	2007-000140	R-CHIP;1Kohm,5%,1/16W,TP,1005	1	SNA	
FEC99	2203-006048	C-CER,CHIP;100nF,10%,10V,X7R,1005	1	SA		FER955	2007-000171	R-CHIP;0ohm,5%,1/16W,TP,1005	1	SNA	
FEIC13	1105-001397	IC-DRAM;K4S641632.SDR,64Mbit,4Mx16,	1	SA		FER961	2007-001305	R-CHIP;120ohm,5%,1/16W,TP,1005	1	SNA	
FEQ1	0504-000126	TR-DIGITAL;KSR1101,NPN,200mW,4.7K/4	1	SA		FER963	2007-000029	R-CHIP;0ohm,5%,1/8W,TP,2012	1	SC	
FEQ2	0501-000546	TR-SMALL SIGNAL;KSA1298,PNP,200mW,S	1	SNA		FER98	2007-000148	R-CHIP;10Kohm,5%,1/16W,TP,1005	1	SA	
FER1	2007-0001325	R-CHIP;3.3Kohm,5%,1/16W,TP,1005	1	SA		FER99	2007-001014	R-CHIP;51ohm,5%,1/10W,TP,1608	1	SA	
FER100	2007-000143	R-CHIP;4.7Kohm,5%,1/16W,TP,1005	1	SNA		FEU1	0903-001580	IC-MICROCONTROLLER;BCM7620,LQFP,216	1	SNA	
FER101	2007-000074	R-CHIP;100ohm,5%,1/10W,TP,1608	1	SA		FEU2	1003-002202	IC-MOTOR DRIVER;R2A30213SP,SOP,44P,	1	SNA	
FER102	2007-007142	R-CHIP;10Kohm,1%,1/16W,TP,1005	1	SNA		FEU3	1003-002203	IC-MOTOR DRIVER;AM2158AT,SOP,14P,8,	1	SNA	
FER106	2007-000148	R-CHIP;10Kohm,5%,1/16W,TP,1005	1	SA		FEU4	1203-001816	IC-POS.FIXED REG.;78M08,TO-252,3P,	1	SNA	
FER107	2007-000140	R-CHIP;1Kohm,5%,1/16W,TP,1005	1	SNA		FEU5	AK94-00109A	ASSY-MICOM-F/E;BD-P4600,F/END,FLASH	1	SNA	
FER108	2007-000173	R-CHIP;22ohm,5%,1/16W,TP,1005	1	SA		FEU5	1107-001763	IC-NOR FLASH;AT26DF081A-SU,8Mbit,1M	1	SNA	
FER109	2007-000148	R-CHIP;10Kohm,5%,1/16W,TP,1005	1	SA		FEU6	1203-002842	IC-POS.FIXED REG.;AP1117D-33A,TO-2	1	SA	
FER111	2007-000148	R-CHIP;10Kohm,5%,1/16W,TP,1005	1	SA		FEY1	2801-004655	CRYSTAL-SMD;25MHz,50ppm,5X-3,18pF,2	1	SA	
FER112	2007-000148	R-CHIP;10Kohm,5%,1/16W,TP,1005	1	SA		FMIC1	AK09-00204A	IC MICOM;MC80F0448,MC80F0448,64,8MH	1	SNA	
FER116	2007-000174	R-CHIP;47ohm,5%,1/16W,TP,1005	1	SNA		FMIC4	1203-002755	IC-VOL. DETECTOR;KIA7031AF,-(0.3-15	1	SA	
FER121	2007-000170	R-CHIP;1Mohm,5%,1/16W,TP,1005	1	SNA		FR1	2007-000171	R-CHIP;0ohm,5%,1/16W,TP,1005	1	SNA	
FER122	2007-001335	R-CHIP;36Kohm,5%,1/16W,TP,1005	1	SA		FR10	2007-000171	R-CHIP;0ohm,5%,1/16W,TP,1005	1	SNA	
FER124	2007-000155	R-CHIP;27Kohm,5%,1/16W,TP,1005	1	SNA		FR11	2007-000070	R-CHIP;0ohm,5%,1/10W,TP,1608	1	SNA	
FER125	2007-000155	R-CHIP;27Kohm,5%,1/16W,TP,1005	1	SNA		FR12	2007-000171	R-CHIP;0ohm,5%,1/16W,TP,1005	1	SNA	
FER126	2007-000157	R-CHIP;47Kohm,5%,1/16W,TP,1005	1	SNA		FR13	2007-000140	R-CHIP;1Kohm,5%,1/16W,TP,1005	1	SNA	
FER127	2007-000148	R-CHIP;10Kohm,5%,1/16W,TP,1005	1	SA		FR14	2007-000137	R-CHIP;2Kohm,5%,1/16W,TP,1005	1	SA	
FER129	2007-000157	R-CHIP;47Kohm,5%,1/16W,TP,1005	1	SNA		FR15	2007-000137	R-CHIP;2Kohm,5%,1/16W,TP,1005	1	SA	
FER130	2007-000152	R-CHIP;20Kohm,5%,1/16W,TP,1005	1	SNA		FR16	2007-000171	R-CHIP;0ohm,5%,1/16W,TP,1005	1	SNA	
FER131	2007-000148	R-CHIP;10Kohm,5%,1/16W,TP,1005	1	SA		FR17	2007-000171	R-CHIP;0ohm,5%,1/16W,TP,1005	1	SNA	
						FR18	2007-000148	R-CHIP;10Kohm,5%,1/16W,TP,1005	1	SA	

Loc.No	Parts No.	Description : Specification	Q'ty	S.N.A	Remark	Loc.No	Parts No.	Description : Specification	Q'ty	S.N.A	Remark
FR19	2007-000148	R-CHIP;10Kohm,5%,1/16W,TP,1005	1	SA		HUC1	2203-006158	C-CER,CHIP;100nF,10%,16V,X7R,1005	1	SA	
FR21	2007-000159	R-CHIP;56Kohm,5%,1/16W,TP,1005	1	SA		HUC10	2203-000552	C-CER,CHIP;0.02nF,5%,50V,COG,1608	1	SNA	
FR22	2007-000138	R-CHIP;100ohm,5%,1/16W,TP,1005	1	SNA		HUC11	2203-005065	C-CER,CHIP;1000nF,+80-20%,10V,Y5V,1	1	SNA	
FR24	2007-000100	R-CHIP;68Kohm,5%,1/10W,TP,1608	1	SNA		HUC12	2203-006158	C-CER,CHIP;100nF,10%,16V,X7R,1005	1	SA	
FR28	2007-000171	R-CHIP;0ohm,5%,1/16W,TP,1005	1	SNA		HUC13	2203-006158	C-CER,CHIP;100nF,10%,16V,X7R,1005	1	SA	
FR29	2007-000140	R-CHIP;1Kohm,5%,1/16W,TP,1005	1	SNA		HUC14	2203-005065	C-CER,CHIP;1000nF,+80-20%,10V,Y5V,1	1	SNA	
FR3	2007-000148	R-CHIP;10Kohm,5%,1/16W,TP,1005	1	SA		HUC15	2703-000402	INDUCTOR-SMD;1uH,20%,3225	1	SNA	
FR32	2007-000140	R-CHIP;1Kohm,5%,1/16W,TP,1005	1	SNA		HUC16	2203-006048	C-CER,CHIP;100nF,10%,10V,X7R,1005	1	SA	
FR34	2007-000140	R-CHIP;1Kohm,5%,1/16W,TP,1005	1	SNA		HUC2	2203-006158	C-CER,CHIP;100nF,10%,16V,X7R,1005	1	SA	
FR35	2007-000143	R-CHIP;4.7Kohm,5%,1/16W,TP,1005	1	SNA		HUC21	2203-006048	C-CER,CHIP;100nF,10%,10V,X7R,1005	1	SA	
FR4	2007-000148	R-CHIP;10Kohm,5%,1/16W,TP,1005	1	SA		HUC3	2203-006158	C-CER,CHIP;100nF,10%,16V,X7R,1005	1	SA	
FR42	2007-000171	R-CHIP;0ohm,5%,1/16W,TP,1005	1	SNA		HUC4	2203-006158	C-CER,CHIP;100nF,10%,16V,X7R,1005	1	SA	
FR43	2007-000171	R-CHIP;0ohm,5%,1/16W,TP,1005	1	SNA		HUC5	2203-006158	C-CER,CHIP;100nF,10%,16V,X7R,1005	1	SA	
FR44	2007-000171	R-CHIP;0ohm,5%,1/16W,TP,1005	1	SNA		HUC6	2203-006158	C-CER,CHIP;100nF,10%,16V,X7R,1005	1	SA	
FR45	2007-000148	R-CHIP;10Kohm,5%,1/16W,TP,1005	1	SA		HUC7	2203-000552	C-CER,CHIP;0.02nF,5%,50V,COG,1608	1	SNA	
FR46	2007-000148	R-CHIP;10Kohm,5%,1/16W,TP,1005	1	SA		HUC8	2203-006158	C-CER,CHIP;100nF,10%,16V,X7R,1005	1	SA	
FR47	2007-000148	R-CHIP;10Kohm,5%,1/16W,TP,1005	1	SA		HUC9	2203-006158	C-CER,CHIP;100nF,10%,16V,X7R,1005	1	SA	
FR48	2007-000070	R-CHIP;0ohm,5%,1/10W,TP,1608	1	SNA		HUR1	2007-000111	R-CHIP;6.8ohm,5%,1/10W,TP,1608	1	SNA	
FR9	2007-000137	R-CHIP;2Kohm,5%,1/16W,TP,1005	1	SA		HUR10	2007-007309	R-CHIP;12Kohm,1%,1/16W,TP,1005	1	SA	
FU1	1103-001398	IC-EEPROM;24C02,2Kbit,256Kx8,SOIC,8	1	SA		HUR11	2007-001284	R-CHIP;4.7ohm,5%,1/16W,TP,1005	1	SNA	
FU2	0801-002701	IC-CMOS LOGIC;74VHCT125A,BUFFER,TSS	1	SA		HUR12	2007-001284	R-CHIP;4.7ohm,5%,1/16W,TP,1005	1	SNA	
FU3	0801-002487	IC-CMOS LOGIC;7SZ126,BUFFER,SOT-353	1	SA		HUR13	2007-001284	R-CHIP;4.7ohm,5%,1/16W,TP,1005	1	SNA	
FU4	0801-002097	IC-CMOS LOGIC;7ST08,AND GATE,SOP,5P	1	SNA		HUR14	2007-001284	R-CHIP;4.7ohm,5%,1/16W,TP,1005	1	SNA	
FX1	2802-001164	RESONATOR-CERAMIC;8.000MHZ,±0.5%,T	1	SNA		HUR15	2007-000092	R-CHIP;15Kohm,5%,1/10W,TP,1608	1	SA	
HC1	2203-006361	C-CER,CHIP;1000nF,10%,10V,X5R,TP,2	1	SC		HUR16	2007-000092	R-CHIP;15Kohm,5%,1/10W,TP,1608	1	SA	
HC2	2203-006048	C-CER,CHIP;100nF,10%,10V,X7R,1005	1	SA		HUR17	2007-000092	R-CHIP;15Kohm,5%,1/10W,TP,1608	1	SA	
HCN1	3701-001313	CONNECTOR-HDMI;19P,2R,PLUG,ANGLE,AU	1	SA		HUR18	2007-000092	R-CHIP;15Kohm,5%,1/10W,TP,1608	1	SA	
HD1	1405-001192	VARIATOR;12Vdc,30A,1.6x0.8x0.55mm,T	1	SA		HUR2	2007-000111	R-CHIP;6.8ohm,5%,1/10W,TP,1608	1	SNA	
HD10	1405-001192	VARIATOR;12Vdc,30A,1.6x0.8x0.55mm,T	1	SA		HUR20	2007-000033	R-CHIP;0ohm,5%,1/4W,TP,3216	1	SNA	
HD11	1405-001192	VARIATOR;12Vdc,30A,1.6x0.8x0.55mm,T	1	SA		HUR21	2007-000033	R-CHIP;0ohm,5%,1/4W,TP,3216	1	SNA	
HD2	1405-001192	VARIATOR;12Vdc,30A,1.6x0.8x0.55mm,T	1	SA		HUR3	2007-000171	R-CHIP;0ohm,5%,1/16W,TP,1005	1	SNA	
HD3	1405-001192	VARIATOR;12Vdc,30A,1.6x0.8x0.55mm,T	1	SA		HUR4	2007-000162	R-CHIP;100Kohm,5%,1/16W,TP,1005	1	SA	
HD4	1405-001192	VARIATOR;12Vdc,30A,1.6x0.8x0.55mm,T	1	SA		HUR5	2007-000162	R-CHIP;100Kohm,5%,1/16W,TP,1005	1	SA	
HD5	1405-001192	VARIATOR;12Vdc,30A,1.6x0.8x0.55mm,T	1	SA		HUR6	2007-000162	R-CHIP;100Kohm,5%,1/16W,TP,1005	1	SA	
HD6	1405-001192	VARIATOR;12Vdc,30A,1.6x0.8x0.55mm,T	1	SA		HUR7	2007-000162	R-CHIP;100Kohm,5%,1/16W,TP,1005	1	SA	
HD7	1405-001192	VARIATOR;12Vdc,30A,1.6x0.8x0.55mm,T	1	SA		HUR8	2007-000162	R-CHIP;100Kohm,5%,1/16W,TP,1005	1	SA	
HD8	1405-001192	VARIATOR;12Vdc,30A,1.6x0.8x0.55mm,T	1	SA		HUR9	2007-000170	R-CHIP;1Mohm,5%,1/16W,TP,1005	1	SNA	
HD9	1405-001192	VARIATOR;12Vdc,30A,1.6x0.8x0.55mm,T	1	SA		IC2	1203-005469	IC-POWER SUPERVISOR;MIC2009YM6,SOT-	1	SNA	
HL1	2703-000402	INDUCTOR-SMD;1uH,20%,3225	1	SNA		JACK1	3722-002910	JACK-PIN;3P(SHIELD),SN/NI,YEL/WHT/R	1	SNA	
HQ1	0501-000341	TR-SMALL SIGNAL;KSC1623-L,NPN,200mW	1	SNA		L1	3301-000317	BEAD-SMD;120ohm,2012,TP,-,-	1	SA	
HQ2	0505-000110	FET-SILICON;2N7002,N,60V,115mA,7.5o	1	SA		L2	3301-000314	BEAD-SMD;120ohm,1.6x0.8x0.8mm,-,-,-	1	SNA	
HQ3	0504-000126	TR-DIGITAL;KSR1101,NPN,200mW,4.7K/4	1	SA		L2827	3301-001202	BEAD-SMD;120ohm,4532,TP,167ohm/260M	1	SNA	
HR1	2007-000171	R-CHIP;0ohm,5%,1/16W,TP,1005	1	SNA		L2828	3301-001202	BEAD-SMD;120ohm,4532,TP,167ohm/260M	1	SNA	
HR10	2007-000171	R-CHIP;0ohm,5%,1/16W,TP,1005	1	SNA		L3	3301-000314	BEAD-SMD;120ohm,1.6x0.8x0.8mm,-,-,-	1	SNA	
HR11	2007-000171	R-CHIP;0ohm,5%,1/16W,TP,1005	1	SNA		MEM1	1105-002015	IC-DDR2 SDRAM;NT5TU32M16CG-25C,DDR2	1	SNA	
HR12	2007-000140	R-CHIP;1Kohm,5%,1/16W,TP,1005	1	SNA		MEM2	1105-002015	IC-DDR2 SDRAM;NT5TU32M16CG-25C,DDR2	1	SNA	
HR13	2007-000093	R-CHIP;20Kohm,5%,1/10W,TP,1608	1	SNA		MEM3	1105-002012	IC-DDR2 SDRAM;NT5TU64M16DG-AC,DDR2	1	SNA	
HR14	2007-007697	R-CHIP;2.4Kohm,1%,1/16W,TP,1005	1	SNA		MEM4	1105-002012	IC-DDR2 SDRAM;NT5TU64M16DG-AC,DDR2	1	SNA	
HR17	2007-000143	R-CHIP;4.7Kohm,5%,1/16W,TP,1005	1	SNA		NAC1	2203-006361	C-CER,CHIP;1000nF,10%,10V,X5R,TP,2	1	SC	
HR19	2007-000143	R-CHIP;4.7Kohm,5%,1/16W,TP,1005	1	SNA		NAC10	2203-000254	C-CER,CHIP;10nF,10%,16V,X7R,1005	1	SA	
HR2	2007-000171	R-CHIP;0ohm,5%,1/16W,TP,1005	1	SNA		NAC11	2203-005692	C-CER,CHIP;4700nF,+80-20%,16V,Y5V,T	1	SC	
HR27	2007-007467	R-CHIP;12.1Kohm,1%,1/16W,TP,1005	1	SA		NAC12	2203-006324	C-CER,CHIP;2200nF,10%,10V,X5R,1608	1	SNA	
HR28	2007-000171	R-CHIP;0ohm,5%,1/16W,TP,1005	1	SNA		NAC2	2203-006361	C-CER,CHIP;10000nF,10%,10V,X5R,TP,2	1	SC	
HR29	2007-000171	R-CHIP;0ohm,5%,1/16W,TP,1005	1	SNA		NAC3	2203-005065	C-CER,CHIP;1000nF,+80-20%,10V,Y5V,1	1	SNA	
HR3	2007-000171	R-CHIP;0ohm,5%,1/16W,TP,1005	1	SNA		NAC4	2203-000254	C-CER,CHIP;10nF,10%,16V,X7R,1005	1	SA	
HR31	2007-000052	R-CHIP;10Kohm,1%,1/10W,TP,1608	1	SNA		NAC5	2203-005065	C-CER,CHIP;1000nF,+80-20%,10V,Y5V,1	1	SNA	
HR32	2007-000052	R-CHIP;10Kohm,1%,1/10W,TP,1608	1	SNA		NAC6	2203-005065	C-CER,CHIP;1000nF,+80-20%,10V,Y5V,1	1	SNA	
HR4	2007-000171	R-CHIP;0ohm,5%,1/16W,TP,1005	1	SNA		NAC7	2203-000278	C-CER,CHIP;0.01nF,0.5pF,50V,COG,100	1	SA	
HR5	2007-000171	R-CHIP;0ohm,5%,1/16W,TP,1005	1	SNA		NAC8	2203-000278	C-CER,CHIP;0.01nF,0.5pF,50V,COG,100	1	SA	
HR6	2007-000171	R-CHIP;0ohm,5%,1/16W,TP,1005	1	SNA		NAC9	2203-006361	C-CER,CHIP;10000nF,10%,10V,X5R,TP,2	1	SC	
HR7	2007-000171	R-CHIP;0ohm,5%,1/16W,TP,1005	1	SNA		NAIC1	0904-002442	IC-USC;SK6211BAPC-A,LQFP,48P,9x9mm,	1	SNA	
HR8	2007-000171	R-CHIP;0ohm,5%,1/16W,TP,1005	1	SNA		NAND1	AK94-00105A	ASSY-MICOM-B/E;BD-P4600,FLASH,Europ	1	SNA	
HR9	2007-000171	R-CHIP;0ohm,5%,1/16W,TP,1005	1	SNA		NAND1	1107-001805	IC-NAND FLASH;NAND512W3A-2CN6,512Mb	1	SNA	

Exploded Views and Parts List

Loc.No	Parts No.	Description : Specification	Q'ty	S.N.A	Remark	Loc.No	Parts No.	Description : Specification	Q'ty	S.N.A	Remark
NAND2	1107-001774	IC-NAND FLASH;K9G8G08U0A-PCB0,1GByt	1	SNA		PWC5	2203-006361	C-CER,CHIP;10000nF,10%,10V,X5R,TP,2	1	SC	
NAR1	2007-000157	R-CHIP;47Kohm,5%,1/16W,TP,1005	1	SNA		PWC51	2203-006158	C-CER,CHIP;100nF,10%,16V,X7R,1005	1	SA	
NAR2	2007-001313	R-CHIP;330ohm,5%,1/16W,TP,1005	1	SA		PWC6	2203-006361	C-CER,CHIP;10000nF,10%,10V,X5R,TP,2	1	SC	
NAR3	2007-001313	R-CHIP;330ohm,5%,1/16W,TP,1005	1	SA		PWC60	2203-006333	C-CER,CHIP;10000nF,20%,16V,X5R,TP,3	1	SNA	
NAR4	2007-000111	R-CHIP;6.8ohm,5%,1/10W,TP,1608	1	SNA		PWC61	2203-005148	C-CER,CHIP;100nF,10%,16V,X7R,TP,160	1	SNA	
NAR5	2007-000111	R-CHIP;6.8ohm,5%,1/10W,TP,1608	1	SNA		PWC62	2203-006333	C-CER,CHIP;10000nF,20%,16V,X5R,TP,3	1	SNA	
NATAL1	2801-004164	CRYSTAL-SMD;12MHZ,50PPM,28-ACI,7PF,	1	SA		PWC63	2203-005148	C-CER,CHIP;100nF,10%,16V,X7R,TP,160	1	SNA	
NDL1	3301-000317	BEAD-SMD;120ohm,2012,TP,-,-	1	SA		PWC64	2203-005148	C-CER,CHIP;100nF,10%,16V,X7R,TP,160	1	SNA	
NFC1	2203-006048	C-CER,CHIP;100nF,10%,10V,X7R,1005	1	SA		PWC65	2203-005148	C-CER,CHIP;100nF,10%,16V,X7R,TP,160	1	SNA	
NFC2	2203-006048	C-CER,CHIP;100nF,10%,10V,X7R,1005	1	SA		PWC7	2203-006361	C-CER,CHIP;10000nF,10%,10V,X5R,TP,2	1	SC	
NFR1	2007-001292	R-CHIP;33ohm,5%,1/16W,TP,1005	1	SNA		PWC72	2203-004476	C-CER,CHIP;1000nF,+80-20%,16V,Y5V,2	1	SA	
NFR2	2007-001292	R-CHIP;33ohm,5%,1/16W,TP,1005	1	SNA		PWC77	2203-006333	C-CER,CHIP;10000nF,20%,16V,X5R,TP,3	1	SNA	
NFR3	2007-001292	R-CHIP;33ohm,5%,1/16W,TP,1005	1	SNA		PWC8	2203-006361	C-CER,CHIP;10000nF,10%,10V,X5R,TP,2	1	SC	
NFR4	2007-001292	R-CHIP;33ohm,5%,1/16W,TP,1005	1	SNA		PWC9	2203-000476	C-CER,CHIP;1000nF,+80-20%,16V,Y5V,2	1	SA	
NFR5	2007-001292	R-CHIP;33ohm,5%,1/16W,TP,1005	1	SNA		PWD17	1405-001233	VARIATOR;30Vdc,5A,1.6x0.8x0.8mm,TP	1	SA	
NFR6	2007-001292	R-CHIP;33ohm,5%,1/16W,TP,1005	1	SNA		PWF1	3601-001376	FUSE-SURFACE MOUNT,32V,3A,FAST-ACTI	1	SA	
NFR7	2007-001292	R-CHIP;33ohm,5%,1/16W,TP,1005	1	SNA		PWQ10	0501-000457	TR-SMALL SIGNAL;MMBT2222A/KST2222A,	1	SA	
NFR8	2007-000242	R-CHIP;1.5Kohm,5%,1/16W,TP,1005	1	SNA		PWQ11	0501-000457	TR-SMALL SIGNAL;MMBT2222A/KST2222A,	1	SA	
OPR1	2007-000171	R-CHIP;0ohm,5%,1/16W,TP,1005	1	SNA		PWR1	2007-000078	R-CHIP;1Kohm,5%,1/10W,TP,1608	1	SA	
OPR2	2007-000171	R-CHIP;0ohm,5%,1/16W,TP,1005	1	SNA		PWR10	2007-001131	R-CHIP;68ohm,1%,1/10W,TP,1608	1	SA	
OPR3	2007-000171	R-CHIP;0ohm,5%,1/16W,TP,1005	1	SNA		PWR11	2007-001139	R-CHIP;7.5Kohm,1%,1/10W,TP,1608	1	SA	
OPR4	2007-000171	R-CHIP;0ohm,5%,1/16W,TP,1005	1	SNA		PWR13	2007-001131	R-CHIP;68ohm,1%,1/10W,TP,1608	1	SA	
OPTICAL	3707-001083	CONNECTOR-OPTICAL;PLUG,SPDIF,-17dB,	1	SA		PWR3	2007-000929	R-CHIP;470ohm,1%,1/10W,TP,1608	1	SNA	
PFET1	0505-001957	FET-SILICON;NTR2101P,P,-8V,-3.7A,0.	1	SA		PWR33	2007-000090	R-CHIP;10Kohm,5%,1/10W,TP,1608	1	SA	
PFET2	0505-001344	FET-SILICON;FND360P,P,-30V,-2A,0.08	1	SNA		PWR34	2007-000078	R-CHIP;1Kohm,5%,1/10W,TP,1608	1	SA	
PIC1	1203-004879	IC-DC/DC CONVERTER;MP8668DL,QFN,14P	1	SA		PWR35	2007-000090	R-CHIP;10Kohm,5%,1/10W,TP,1608	1	SA	
PIC2	1203-005188	IC-DC/DC CONVERTER;AOZ1021AIL,SOP,8	1	SA		PWR36	2007-000078	R-CHIP;1Kohm,5%,1/10W,TP,1608	1	SA	
PIC3	1203-004879	IC-DC/DC CONVERTER;MP8668DL,QFN,14P	1	SA		PWR37	2007-000078	R-CHIP;1Kohm,5%,1/10W,TP,1608	1	SA	
PIC4	0505-002491	FET-SILICON;AO4404BL,N,30V,8.5A,0.0	1	SNA		PWR38	2007-000060	R-CHIP;100Kohm,1%,1/10W,TP,1608	1	SA	
PIC5	1203-002842	IC-POSI.FIXED REG.;AP1117D-33A,TO-2	1	SA		PWR39	2007-000669	R-CHIP;2Kohm,1%,1/10W,TP,1608	1	SNA	
PIC6	0505-002491	FET-SILICON;AO4404BL,N,30V,8.5A,0.0	1	SNA		PWR4	2007-008426	R-CHIP;12.4Kohm,1%,1/10W,TP,1608	1	SA	
PJACK2	3722-000117	JACK-DC POWER;3P,1.45PI,AG,BLK	1	SA		PWR40	2007-001131	R-CHIP;68ohm,1%,1/10W,TP,1608	1	SA	
PL2	2703-003247	INDUCTOR-SMD;4.7uH,20%,9998	1	SA		PWR41	2007-000708	R-CHIP;3.9Kohm,1%,1/10W,TP,1608	1	SA	
PL4	3301-001202	BEAD-SMD;120ohm,4532,TP,167ohm/260M	1	SNA		PWR42	2007-000070	R-CHIP;0ohm,5%,1/10W,TP,1608	1	SNA	
PL5	2703-003248	INDUCTOR-SMD;8.2uH,20%,7272	1	SA		PWR5	2007-000052	R-CHIP;10Kohm,1%,1/10W,TP,1608	1	SNA	
PL8	2703-003247	INDUCTOR-SMD;4.7uH,20%,9998	1	SA		PWR53	2007-000043	R-CHIP;1Kohm,1%,1/10W,TP,1608	1	SA	
PWC10	2203-006333	C-CER,CHIP;10000nF,20%,16V,X5R,TP,3	1	SNA		PWR54	2007-000343	R-CHIP;120ohm,1%,1/10W,TP,1608	1	SA	
PWC11	2203-006333	C-CER,CHIP;10000nF,20%,16V,X5R,TP,3	1	SNA		PWR57	2007-000090	R-CHIP;10Kohm,5%,1/10W,TP,1608	1	SA	
PWC12	2203-006333	C-CER,CHIP;10000nF,20%,16V,X5R,TP,3	1	SNA		PWR6	2007-000090	R-CHIP;10Kohm,5%,1/10W,TP,1608	1	SA	
PWC14	2203-006560	C-CER,CHIP;22000nF,10%,10V,X5R,3225	1	SA		PWR7	2007-000033	R-CHIP;0ohm,5%,1/4W,TP,3216	1	SNA	
PWC15	2203-006333	C-CER,CHIP;10000nF,20%,16V,X5R,TP,3	1	SNA		PWR94	2007-002425	R-CHIP;1ohm,5%,1/10W,TP,1608	1	SNA	
PWC16	2203-006560	C-CER,CHIP;22000nF,10%,10V,X5R,3225	1	SA		R1	2007-000148	R-CHIP;10Kohm,5%,1/16W,TP,1005	1	SA	
PWC17	2203-006333	C-CER,CHIP;10000nF,20%,16V,X5R,TP,3	1	SNA		R10	2007-002915	R-CHIP;4.02Kohm,1%,1/10W,TP,1608	1	SA	
PWC18	2203-006333	C-CER,CHIP;10000nF,20%,16V,X5R,TP,3	1	SNA		R101	2007-000033	R-CHIP;0ohm,5%,1/4W,TP,3216	1	SNA	
PWC19	2203-006560	C-CER,CHIP;22000nF,10%,10V,X5R,3225	1	SA		R102	2007-007613	R-CHIP;121ohm,1%,1/10W,TP,1608	1	SA	
PWC2	2203-000491	C-CER,CHIP;2.2nF,10%,50V,X7R,1608	1	SA		R11	2007-000148	R-CHIP;10Kohm,5%,1/16W,TP,1005	1	SA	
PWC20	2203-005148	C-CER,CHIP;100nF,10%,16V,X7R,TP,160	1	SNA		R118	2007-000148	R-CHIP;10Kohm,5%,1/16W,TP,1005	1	SA	
PWC21	2203-005148	C-CER,CHIP;100nF,10%,16V,X7R,TP,160	1	SNA		R119	2007-000148	R-CHIP;10Kohm,5%,1/16W,TP,1005	1	SA	
PWC22	2203-005148	C-CER,CHIP;100nF,10%,16V,X7R,TP,160	1	SNA		R12	2007-000148	R-CHIP;10Kohm,5%,1/16W,TP,1005	1	SA	
PWC23	2203-005148	C-CER,CHIP;100nF,10%,16V,X7R,TP,160	1	SNA		R120	2007-000148	R-CHIP;10Kohm,5%,1/16W,TP,1005	1	SA	
PWC25	2203-006333	C-CER,CHIP;10000nF,20%,16V,X5R,TP,3	1	SNA		R121	2007-000148	R-CHIP;10Kohm,5%,1/16W,TP,1005	1	SA	
PWC27	2203-006361	C-CER,CHIP;10000nF,10%,10V,X5R,TP,2	1	SC		R122	2007-000140	R-CHIP;1Kohm,5%,1/16W,TP,1005	1	SNA	
PWC30	2203-006361	C-CER,CHIP;10000nF,10%,10V,X5R,TP,2	1	SC		R123	2007-000148	R-CHIP;10Kohm,5%,1/16W,TP,1005	1	SA	
PWC32	2203-005692	C-CER,CHIP;4700nF,+80-20%,16V,Y5V,T	1	SC		R124	2007-000171	R-CHIP;0ohm,5%,1/16W,TP,1005	1	SNA	
PWC34	2203-000476	C-CER,CHIP;1000nF,+80-20%,16V,Y5V,2	1	SA		R125	2007-000138	R-CHIP;100ohm,5%,1/16W,TP,1005	1	SNA	
PWC35	2203-005148	C-CER,CHIP;100nF,10%,16V,X7R,TP,160	1	SNA		R126	2007-000070	R-CHIP;0ohm,5%,1/10W,TP,1608	1	SNA	
PWC36	2203-005148	C-CER,CHIP;100nF,10%,16V,X7R,TP,160	1	SNA		R13	2007-000148	R-CHIP;10Kohm,5%,1/16W,TP,1005	1	SA	
PWC37	2203-005148	C-CER,CHIP;100nF,10%,16V,X7R,TP,160	1	SNA		R132	2007-000148	R-CHIP;10Kohm,5%,1/16W,TP,1005	1	SA	
PWC38	2203-005148	C-CER,CHIP;100nF,10%,16V,X7R,TP,160	1	SNA		R14	2007-000148	R-CHIP;10Kohm,5%,1/16W,TP,1005	1	SA	
PWC39	2203-005148	C-CER,CHIP;100nF,10%,16V,X7R,TP,160	1	SNA		R15	2007-000148	R-CHIP;10Kohm,5%,1/16W,TP,1005	1	SA	
PWC4	2203-000476	C-CER,CHIP;1000nF,+80-20%,16V,Y5V,2	1	SA		R16	2007-007141	R-CHIP;240ohm,5%,1/16W,TP,1005	1	SA	
PWC41	2203-006474	C-CER,CHIP;22000nF,20%,6.3V,X5R,201	1	SA		R17	2007-000148	R-CHIP;10Kohm,5%,1/16W,TP,1005	1	SA	
PWC43	2203-006474	C-CER,CHIP;22000nF,20%,6.3V,X5R,201	1	SA		R2	2007-008453	R-CHIP;1.24Kohm,1%,1/16W,TP,1005	1	SNA	
PWC44	2203-006474	C-CER,CHIP;22000nF,20%,6.3V,X5R,201	1	SA							

Exploded Views and Parts List

Loc.No	Parts No.	Description : Specification	Q'ty	S.N.A	Remark	Loc.No	Parts No.	Description : Specification	Q'ty	S.N.A	Remark
J119	3811-001868	WIRE-NO SHEATH CU;SnCuFe,52mm,GRY	1	SNA		TKR17	2007-001311	R-CHIP;270ohm,5%,1/16W,TP,1005	1	SA	
J120	3811-001868	WIRE-NO SHEATH CU;SnCuFe,52mm,GRY	1	SNA		TKR2	2007-001311	R-CHIP;270ohm,5%,1/16W,TP,1005	1	SA	
J121	3811-001868	WIRE-NO SHEATH CU;SnCuFe,52mm,GRY	1	SNA		TKR3	2007-001311	R-CHIP;270ohm,5%,1/16W,TP,1005	1	SA	
J122	3811-001868	WIRE-NO SHEATH CU;SnCuFe,52mm,GRY	1	SNA		TKR4	2007-001311	R-CHIP;270ohm,5%,1/16W,TP,1005	1	SA	
J124	3811-001868	WIRE-NO SHEATH CU;SnCuFe,52mm,GRY	1	SNA		TKR5	2007-001311	R-CHIP;270ohm,5%,1/16W,TP,1005	1	SA	
J125	3811-001868	WIRE-NO SHEATH CU;SnCuFe,52mm,GRY	1	SNA		TKR6	2007-001311	R-CHIP;270ohm,5%,1/16W,TP,1005	1	SA	
J126	3811-001868	WIRE-NO SHEATH CU;SnCuFe,52mm,GRY	1	SNA		TKR7	2007-000139	R-CHIP;220ohm,5%,1/16W,TP,1005	1	SNA	
PT1	AK26-00041A	TRANS;EE1312,BD-P4600,10PIN,1.2mH M	1	SNA		TKR8	2007-000139	R-CHIP;220ohm,5%,1/16W,TP,1005	1	SNA	
PWC101	2203-000440	C-CER,CHIP;1nF,10%,50V,X7R,1608	1	SA		TKR9	2007-000139	R-CHIP;220ohm,5%,1/16W,TP,1005	1	SNA	
PWC102	2203-000440	C-CER,CHIP;1nF,10%,50V,X7R,1608	1	SA		TKZ10	2007-000027	R-CHIP;300Kohm,5%,1/8W,TP,2012	1	SA	
PWC104	2401-002095	C-AL;47uF,20%,25V,GP,TP,6.3x5.5	1	SA		TKZ5	2007-000027	R-CHIP;300Kohm,5%,1/8W,TP,2012	1	SA	
PWC105	2401-002095	C-AL;47uF,20%,25V,GP,TP,6.3x5.5	1	SA		TKZ6	2007-000027	R-CHIP;300Kohm,5%,1/8W,TP,2012	1	SA	
PWC3	2203-000189	C-CER,CHIP;100nF,+80-20%,25V,Y5V,16	1	SNA		TKZ7	2007-000027	R-CHIP;300Kohm,5%,1/8W,TP,2012	1	SA	
PWC6	2401-000970	C-AL;22uF,20%,50V,WT,5x11,5	1	SA		TKZ8	2007-000027	R-CHIP;300Kohm,5%,1/8W,TP,2012	1	SA	
PWC7	2401-003221	C-AL;100uF,20%,16V,GP,TP,8X5,2.5	1	SA		TKZ9	2007-000027	R-CHIP;300Kohm,5%,1/8W,TP,2012	1	SA	
PWD101	0401-001099	DIODE-SWITCHING;1N4148WS,75V,150mA,	1	SA		AK97-02959A		ASSY SMD;Europe,AK94-00179A	1	SNA	
PWD102	0401-001099	DIODE-SWITCHING;1N4148WS,75V,150mA,	1	SA		0202-001477		SOLDER-CREAM;LST309-M,D20-45um,96.5	0.084	SNA	
PWD103	0401-001099	DIODE-SWITCHING;1N4148WS,75V,150mA,	1	SA		AK41-00904A		PCB-TOUCHKEY;BD-P4600,Phenol,2.00,T	0.125	SNA	
PWD104	0401-001099	DIODE-SWITCHING;1N4148WS,75V,150mA,	1	SA		AK97-02960A		ASSY MANUAL INSERT;BD-P4600,AK94-00	1	SNA	
PWD105	0402-000511	DIODE-SCHOTTKY;SS14,40V,1000MA,DO-2	1	SNA		0202-001492		SOLDER-WIRE FLUX;HSE-02 LFM48 SR-34	0.095	SNA	
PWD106	0402-000511	DIODE-SCHOTTKY;SS14,40V,1000MA,DO-2	1	SNA							
PWDZ1010403-000344		DIODE-ZENER;UZ3.9B,3.7-4.1V,500MW,D	1	SA							
PWQ101	0501-000010	TR-SMALL SIGNAL;2SC1008,NPN,800mW,T	1	SA							
PWQ102	0501-000010	TR-SMALL SIGNAL;2SC1008,NPN,800mW,T	1	SA							
PWR101	2007-000090	R-CHIP;10Kohm,5%,1/10W,TP,1608	1	SA							
PWR103	2007-000134	R-CHIP;33Kohm,5%,1/10W,TP,1608	1	SNA							
R1	2007-000101	R-CHIP;82Kohm,5%,1/10W,TP,1608	1	SA							
R2	2007-000102	R-CHIP;100Kohm,5%,1/10W,TP,1608	1	SA							
R3	2007-000072	R-CHIP;47ohm,5%,1/10W,TP,1608	1	SNA							
R4	2007-000077	R-CHIP;470ohm,5%,1/10W,TP,1608	1	SA							
VFD1	AK07-00071A	VF DISPLAY;HNV-07SS79,BD-P4600,W85.	1	SA							
VFD1A	AK61-00925A	HOLDER-FLT;BD-P4600,ABS 94HB,T1.0,8	1	SNA							
VFD2	1003-002176	IC-VFD;MC3401,LQFP,44P,10x10mm,-40m	1	SA							
AK99-01173A		ASSY MANUAL INSERT-VFD;-BD-P4600/X	1	SNA							
0201-001791		ADHESIVE-TS;EH-260D,RED,400±30PS,2	0.014	SA							
0202-001463		SOLDER-WIRE;LFC2-W3.0,-D3,99.79Sn/	2.689	SNA							
0202-001492		SOLDER-WIRE FLUX;HSE-02 LFM48 SR-34	0.095	SNA							
0204-002420		SOLVENT;1M-1000,C3H7OH,96	0.0046	SNA							
0204-002607		FLUX;DF-234U,13%,14KG,Gravity 0.82	4.342	SNA							
AK99-01174A		ASSY SMD INSERT-VFD;-BD-P4600/XAA,	1	SNA							
0202-001477		SOLDER-CREAM;LST309-M,D20-45um,96.5	0.1	SNA							
AK41-00905A		PCB SUB;BD-P4600,Phenol,1.00,T1.6,1	0.5	SNA							
AK99-01175A		ASSY AUTO INSERT-VFD;-BD-P4600/XAA	1	SNA							
P007	AK94-00179A	ASSY PCB KEY-BD-P4600,Europe,TouchK	1	SA							
LEDF	0601-002705	LED;SMD(SIDE VIEW),WHT,3.8x1.2x0.6m	1	SNA							
LEDO	0601-002705	LED;SMD(SIDE VIEW),WHT,3.8x1.2x0.6m	1	SNA							
LEDP	0601-002705	LED;SMD(SIDE VIEW),WHT,3.8x1.2x0.6m	1	SNA							
LEDPWRR0601-002706		LED;SMD(SIDE VIEW),RED,3.8x1.2x0.6m	1	SNA							
LEDPWRW0601-002705		LED;SMD(SIDE VIEW),WHT,3.8x1.2x0.6m	1	SNA							
LEDR	0601-002705	LED;SMD(SIDE VIEW),WHT,3.8x1.2x0.6m	1	SNA							
LEDS	0601-002705	LED;SMD(SIDE VIEW),WHT,3.8x1.2x0.6m	1	SNA							
TKC1	2203-005148	C-CER,CHIP;100nF,10%,16V,X7R,TP,160	1	SNA							
TKCON1	3708-002342	CONNECTOR-FPC/FPC;PIC;6P,1mm,SMD-A,	1	SNA							
TKCON1A3809-002303		FFC CABLE-FLAT;30V,80C,200mm,6P,1.0	1	SA							
TKIC1	AK11-00007A	IC MASK ROM;TouchCore1.0-QF20IP,BD-	1	SNA							
TKR1	2007-001311	R-CHIP;270ohm,5%,1/16W,TP,1005	1	SA							
TKR10	2007-000139	R-CHIP;220ohm,5%,1/16W,TP,1005	1	SNA							
TKR11	2007-000139	R-CHIP;220ohm,5%,1/16W,TP,1005	1	SNA							
TKR12	2007-000139	R-CHIP;220ohm,5%,1/16W,TP,1005	1	SNA							
TKR13	2007-000139	R-CHIP;220ohm,5%,1/16W,TP,1005	1	SNA							
TKR14	2007-000138	R-CHIP;100ohm,5%,1/16W,TP,1005	1	SNA							
TKR15	2007-000070	R-CHIP;0ohm,5%,1/10W,TP,1608	1	SNA							
TKR17	2007-001311	R-CHIP;270ohm,5%,1/16W,TP,1005	1	SA							
TKR2	2007-001311	R-CHIP;270ohm,5%,1/16W,TP,1005	1	SA							
TKR3	2007-001311	R-CHIP;270ohm,5%,1/16W,TP,1005	1	SA							
TKR4	2007-001311	R-CHIP;270ohm,5%,1/16W,TP,1005	1	SA							
TKR5	2007-001311	R-CHIP;270ohm,5%,1/16W,TP,1005	1	SA							
TKR6	2007-001311	R-CHIP;270ohm,5%,1/16W,TP,1005	1	SA							
TKR7	2007-000139	R-CHIP;220ohm,5%,1/16W,TP,1005	1	SNA							
TKR8	2007-000139	R-CHIP;220ohm,5%,1/16W,TP,1005	1	SNA							
TKR9	2007-000139	R-CHIP;220ohm,5%,1/16W,TP,1005	1	SNA							
TKZ10	2007-000027	R-CHIP;300Kohm,5%,1/8W,TP,2012	1	SA							
TKZ5	2007-000027	R-CHIP;300Kohm,5%,1/8W,TP,2012	1	SA							
TKZ6	2007-000027	R-CHIP;300Kohm,5%,1/8W,TP,2012	1	SA							
TKZ7	2007-000027	R-CHIP;300Kohm,5%,1/8W,TP,2012	1	SA							
TKZ8	2007-000027	R-CHIP;300Kohm,5%,1/8W,TP,2012	1	SA							
TKZ9	2007-000027	R-CHIP;300Kohm,5%,1/8W,TP,2012	1	SA							
AK97-02959A		ASSY SMD;Europe,AK94-00179A	1	SNA							
0202-001477		SOLDER-CREAM;LST309-M,D20-45um,96.5	0.084	SNA							
AK41-00904A		PCB-TOUCHKEY;BD-P4600,Phenol,2.00,T	0.125	SNA							
AK97-02960A		ASSY MANUAL INSERT;BD-P4600,AK94-00	1	SNA							
0202-001492		SOLDER-WIRE FLUX;HSE-02 LFM48 SR-34	0.095	SNA							
H006	AK96-01009A	ASSY DECK,BD-S4,SLOT IN,-	1	SNA							
H100	AK96-01032A	ASSY HOUSING;BD-S4,-,-,-	1	SA							
H101	AK61-00943A	BRACKET-FPC;BD-S4,POM,NTR	1	SA							
H200	AK41-00875A	FFC-DECK;BD-S4,PET,15,T0,12,L250	1	SA							
H201	AK41-00874A	FFC-PICK UP;BD-S4,PET,40P,T0,08,L25	1	SA							
PICKUP	AK96-01017A	ASSY PICK UP;SOH-SBP1,BD SLIM PICKU	1	SA							
S.N.A	6001-001678	SCREW-MACHINE;PH,+M1.7,L4.5,ZPC(BL	1	SNA							
S.N.A	6009-001553	SCREW-SET;SOCKET,M2,L2.6,NI,PLT,SWC	4	SNA							
S.N.A	AK31-00038A	MOTOR SPINDLE;BD-S4	1	SA							
S.N.A	AK61-00890A	PLATE-SPRING SKEW;BD-S4,SUS304-CSP,	1	SNA							
S.N.A	AK61-00891A	HOLDER-SHAFT MAIN;BD-S4,ABS,NTR,GF3	1	SNA							
S.N.A	AK61-00893A	BRACKET-SPINDLE;BD-S4,ABS,NTR,GF30%	1	SNA							
S.N.A	AK61-00896A	HOLDER-SHAFT SUB;BD-S4,POM,NTR	1	SNA							
S.N.A	AK63-00541A	COVER-CHASSIS;BD-S4,SUS,T0.3,NTR,1/	1	SNA							
S.N.A	AK63-00542A	COVER-SKEW A;BD-S4,SECC,T0.8,NTR,PF	1	SNA							
S.N.A	AK63-00543A	COVER-SKEW B;BD-S4,SECC,T0.8,NTR,PF	1	SNA							
S.N.A	AK63-00544A	COVER-SKEW C;BD-S4,SECC,T0.8,NTR,PF	1	SNA							
S.N.A	AK64-02326A	CHASSIS-TRAVERS;BD-S4,SECC,T1.2,NTR	1	SNA							
S.N.A	AK66-00154A	SHAFT-SUB;BD-S4,SUS303N,L58,OD3.0,N	1	SNA							
S.N.A	AK73-00069A	RUBBER-INSULATOR;BD-S4,C1001,NTR	3	SNA							
S.N.A	AK97-02449A	ASSY MOTOR-FEEDING;BD,BD-S4,-,-	1	SNA							
S.N.A	AK31-00039A	MOTOR DC-FEED;BD-S4	1	SNA							
S.N.A	AK41-00877A	FPC-FEED									

Exploded Views and Parts List

Loc.No	Parts No.	Description : Specification	Q'ty	S.N.A	Remark	Loc.No	Parts No.	Description : Specification	Q'ty	S.N.A	Remark
S.N.A	AK66-00144A	GEAR-ROLLER B;BD-S4,POM,NTR	1	SNA		0202-001499	SOLDER-WIRE FLUX;SR34 SUPER LFM-48,	0.05	SNA		
S.N.A	AK66-00147A	LEVER-PUSH;BD-S4,POM M90-44,NTR	1	SNA		0602-001158	DIODE-LASER;6mW,2.655nm,CAN	1	SNA		
S.N.A	AK66-00148A	LEVER-DISC;BD-S4,ABS SR-0320,NTR	1	SNA		AK41-00897A	FPC-DVDCD LD;SOH-SBP1,1.0,IFPCB,	1	SNA		
S.N.A	AK66-00162A	SHAFT-GEAR PULLEY;BD-S4,SUS303,OD2.	1	SNA		AK61-00900A	HOLDER-LD DVDCD;SOH-SBP1,Zn,3,8,5,5	1	SNA		
S.N.A	AK97-02441A	ASSY-MOTOR LOADING;BD,BD-S4,-,-	1	SNA		AK67-00093A	LENS-OL DVD;SOH-SBP1,PLASTIC,NTR,PI	1	SNA		
S.N.A	AK97-02442A	ASSY-SHAFT WORM;BD,BD-S4,-,-	1	SNA		AK96-01015A	ASSY ACT;SOH-SBP1,BD SLIM PICKUP,-,-	1	SNA		
S.N.A	AK66-00137A	GEAR-WORM;BD-S4,PBT,0.4,NTR	1	SNA		0201-001230	ADHESIVE-CYA;LOCTITE 480,BLK,300,-	0.008	SNA		
S.N.A	AK66-00138A	GEAR-WHEEL;BD-S4,POM,0.4,NTR	1	SNA		0201-001525	ADHESIVE-UV;8840L,YEL,TRANS,23000,D	0.00003	SNA		
S.N.A	AK66-00156A	SHAFT-WORM;BD-S4,SUS420-J2,L58,OD3.	1	SNA		0201-001537	ADHESIVE-UV;SDM-378,WHT,11000mPas,-	0.05	SNA		
S.N.A	AK97-02443A	ASSY-TOP COVER;BD,BD-S4,-,-	1	SNA		0201-001709	ADHESIVE-UV;8839L,YEL,24500mPa,s,-	0.00001	SNA		
S.N.A	AK61-00879A	GUIDE-DISC-TOP;BD-S4,POM,NTR	1	SNA		0202-001499	SOLDER-WIRE FLUX;SR34 SUPER LFM-48,	0.03	SNA		
S.N.A	AK61-00880A	SLIDER-ARM;BD-S4,POM,NTR	1	SNA		3302-001754	MAGNET-RARE EARTH;14400Gauss,50MGOe	2	SNA		
S.N.A	AK61-00910A	SPRING ETC-SLIDE ARM;BD-S4,SUS304-W	1	SNA		3812-001462	WIRE-NO SHEATH CU;SCM,11.5,SILVER	5	SNA		
S.N.A	AK61-00911A	SPRING ETC-ARM;BD-S4,SUS304-WPB,PI0	1	SNA		3812-001463	WIRE-NO SHEATH CU;SCM,11.5,YELLOW	1	SNA		
S.N.A	AK63-00540A	COVER-TOP;BD-S4,SECC,T0.5	1	SNA		AK41-00896A	FPC-ACT;SOH-SBP1,1.2,IFPCB,6,T0.	1	SNA		
S.N.A	AK66-00130A	ARM-L UPPER;BD-S4,POM,NTR	1	SNA		AK41-00916A	FPC-HOLDER PCB;SOH-SBP1,3.0,PCB,6,T	1	SNA		
S.N.A	AK66-00131A	ARM-L LOWER;BD-S4,POM,NTR	1	SNA		AK61-00934A	HOLDER-WIRE;SOH-SBP1,PPS,W12.4,L4.0	1	SNA		
S.N.A	AK66-00132A	ARM-R UPPER;BD-S4,POM,NTR	1	SNA		AK62-00023A	YOKE-ACT;SOH-SBP1,SPCC,T0.5,W14.5,L	1	SNA		
S.N.A	AK66-00133A	ARM-R LOWER;BD-S4,POM,NTR	1	SNA		AK67-00099A	LENS-BD OL;VS3504,Plastic,NTR,PI 3.	1	SNA		
S.N.A	AK66-00134A	SLIDER-PUSH ARM;BD-S4,ABS,GF2%	1	SNA		AK96-01012A	ASSY BLADE;SOH-SBP1,-,-,-	1	SNA		
S.N.A	AK68-00433B	LABEL-WARNING DRIVE;BD-P,ART PAPER,	1	SNA		AK96-01016A	ASSY-OPT;SOH-SBP1,BD SLIM PICKUP,-,-	1	SNA		
S.N.A	AK97-02444A	ASSY-CHUCK;BD,BD-S4,-,-	1	SNA		0201-001525	ADHESIVE-UV;8840L,YEL,TRANS,23000,D	0.00002	SNA		
S.N.A	AK61-00881A	PLATE-CHUCK;BD-S4,SECC,T0.6,NTR	1	SNA		0201-001709	ADHESIVE-UV;8839L,YEL,24500mPa,s,-	0.00001	SNA		
S.N.A	AK61-00882A	GUIDE-DISC FRONT;BD-S4,POM,NTR	1	SNA		0201-001819	ADHESIVE-UV;8833M,YELLOW,21000mPas,	0.04	SNA		
S.N.A	AK61-00883A	PLATE-SPRING CHUCK;BD-S4,SUS304-WPB	1	SNA		0201-002106	ADHESIVE-UV;8240ST,WHITE,27000PAS,U	0.03	SNA		
S.N.A	AK61-00884A	HOLDER-CHUCK;BD-S4,POM,NTR	1	SNA		0202-001499	SOLDER-WIRE FLUX;SR34 SUPER LFM-48,	0.05	SNA		
S.N.A	AK61-00885A	HOLDER-YOKE;BD-S4,SECC,T0.35,NTR	1	SNA		0205-001226	GREASE;FLOIL KG-513,WHT,1KG	0.00002	SNA		
S.N.A	AK97-02445A	ASSY-GUIDE DISC LOWER;BD,BD-S4,-,-	1	SNA		0602-001166	DIODE-LASER;55mW,2V,405nm	1	SNA		
S.N.A	6001-001925	SCREW-MACHINE;CH,+,M2,L2,BS PLT,SWR	3	SNA		6001-001452	SCREW-MACHINE;BH,+,M1.4,L2.5,ZPC(2	SNA		
S.N.A	AK61-00894A	GUIDE-DISC LOWER;BD-S4,POM NW-02,NT	1	SNA		AD61-02822A	HOLDER-GT;SOH-BDCAM,Zn,T2.0,GRY,φ4	1	SNA		
S.N.A	AK61-00913A	SPRING ETC-DISC PROTECT;BD-S4,SWPB,	2	SNA		AD61-02828A	SPRING ETC-GT;SOH-BDCAM,Phosphor br	1	SA		
S.N.A	AK61-00945A	BRACKET-GUIDE LOWER;BD-S4,SPCC,NTR	1	SNA		AK31-00042A	MOTOR STEP-CLD;SOH-SBP1,100MA,2.5-5	1	SNA		
S.N.A	AK97-02446A	ASSY-LEVER-DISC STOPPER;BD,BD-S4,-,-	1	SNA		AK41-00898A	FPC-CLD;SOH-SBP1,1.0,IFPCB,4,T0.	1	SNA		
S.N.A	AK61-00962A	SPRING ETC-DISC STOPPER;BD-S4,SWPB,	1	SNA		AK61-00897A	HOLDER-GT(BD);SOH-SBP1,Zn,2,D3.6,GR	1	SNA		
S.N.A	AK66-00145A	LEVER-DISC STOPPER;BD-S4,POM M90-44	1	SNA		AK61-00898A	SPRING ETC-GT(BD);SOH-SBP1,PBS,2.2,	1	SNA		
S.N.A	AK97-02447A	ASSY-SHAFT ROLLER;BD,BD-S4,-,-	1	SNA		AK61-00899A	BASE-PICK UP;SOH-SBP1,Mg,6.1,35.51.	1	SNA		
S.N.A	6031-001199	WASHER-SPECIAL;LUMIRROR,-,ID1.2,D3,	1	SNA		AK61-00901A	HOLDER-CL;SOH-SBP1,PPS,2.5,5,1.20.6	1	SNA		
S.N.A	AK61-00887A	ROLLER-DISC;BD-S4,SILICON,BLK,HS57	1	SNA		AK61-00935A	SPRING ETC-CLD;SOH-SBP1,SUS304-WPB,	1	SNA		
S.N.A	AK66-00146A	GEAR-SHAFT;BD-S4,POM M90-44,NTR	1	SNA		AK66-00150A	SHAFT-MAIN CLD;SOH-SBP1,SUS,14,1,SI	1	SA		
S.N.A	AK66-00155A	SHAFT-ROLLER;BD-S4,SUS303,L138.8,OD	1	SNA		AK66-00151A	SHAFT-SUB CLD;SOH-SBP1,SUS,10.0,8.S	1	SNA		
S.N.A	AK97-02448A	ASSY-PCB DECK;BD,BD-S4,-,-	1	SNA		AK67-00097A	LENS-BD QWP;BD QWP,GLS,WHT,4.0*4.5,	1	SNA		
S.N.A	3708-002018	CONNECTOR-FPC/FFC/PIC;4P,1MM,SMD-A,	2	SA		AK67-00101A	LENS-PRISM;SOH-SBP1,BK7,NTR,3.0*4.2	1	SNA		
S.N.A	3708-002163	CONNECTOR-FPC/FFC/PIC;14P,1mm,SMD-A	1	SNA		AK67-00102A	LENS-MIRROR;SOH-SBP1,BK7,NTR,8.0*4.	1	SNA		
S.N.A	AK41-00876A	PCB-DECK;BD-S4,PENOL,T0.6	1	SNA		AK67-00103A	LENS-CUBIC;SOH-SBP1,BK7,NTR,7.9*4.0	1	SNA		
S.N.A	AK66-00152A	WIRE-PCB;BD-S4,WIRE,PI0.8	4	SNA		AK67-00104A	LENS-DVD QWP;SOH-SBP1,GLS,NTR,3.85*	1	SNA		
S.N.A	AK61-00892A	HINGE-PICK UP;BD-S4,POM F20-03,NTR	1	SNA		AK67-00105A	LENS-BD CL;SOH-SBP1,Plastic,NTR,4.	1	SNA		
S.N.A	AK61-00918A	SPRING ETC-HINGE P/U;BD-S4,SUS304,P	1	SNA		AK67-00106A	LENS-DVD CL;SOH-SBP1,Plastic,NTR,4.	1	SNA		
T100	AK96-01011A	ASSY TRAVERSE-DECK;BD-S4,-,-,-	1	SA		AK67-00107A	LENS-ASL;SOH-SBP1,Plastic,NTR,3.0*	1	SNA		
T101	AK61-00919A	SPRING ETC-SKEW;BD-S4,SWPB,PI0.23,O	4	SA		AK67-00108A	LENS-BD GT;SOH-SBP1,B270,NTR,2.2*2.	1	SNA		
T102	AK66-00153A	SHAFT-MAIN;BD-S4,SUS303N,OD3.0,NTR,	1	SA		AK67-00109A	LENS-CD GT;SOH-SBP1,B270,NTR,2.5*2.	1	SNA		
T200	AK96-01033A	ASSY-HINGE PU;BD-S4,POM+SUS304,-,-	1	SA		AK96-01018A	ASSY FPC;SOH-SBP1,BD SLIM PICKUP,-,-	1	SNA		
W100	6003-001527	SCREW-TAPTYP;BH,+,B,M1.7,L4,ZPC(BL	2	SA		0202-001499	SOLDER-WIRE FLUX;SR34 SUPER LFM-48,	0.05	SNA		
W101	6003-001742	SCREW-TAPTYP;CH,+,B,M2,L5,ZPC(WHT)	3	SA		0603-001232	PHOTO-RECEIVER;5.7V,25mA,405nm	1	SNA		
W102	6001-001531	SCREW-MACHINE;CH(0.5),+,M1.4,L3.0,Z	3	SA		1003-002193	IC-DIODE DRIVER;TC93A16FTG,QFN,24P,	1	SNA		
W103	6001-001531	SCREW-MACHINE;CH(0.5),+,M1.4,L3.0,Z	2	SNA		1404-001328	THERMISTOR-NTC;10Kohm,0A,3370K,0mW	1	SNA		
W104	6006-001155	SCREW-MACHINE;BH,+,M2,L7,ZPC(BLK)	6	SA		2007-000144	R-CHIP;5.1Kohm,5%,1/16W,TP,1005	2	SA		
W105	6001-001925	SCREW-MACHINE;CH,+,B,M2,L2,BS PLT,SWR	2	SNA		2007-000171	R-CHIP;0ohm,5%,1/16W,TP,1005	4	SA		
	0201-001081	ADHESIVE-AA;1401C,RED,-,BOND-LOCK S	0.005	SNA		2007-001119	R-CHIP;680ohm,5%,1/16W,TP,1005	1	SNA		
	0201-001819	ADHESIVE-UV;8833M,YELLOW,21000mPas,	0.05	SNA		2007-002768	R-CHIP;6.2Kohm,1%,1/10W,TP,1608	1	SA		
	AK68-01760A	LABEL-STICKER;SOH-BP5,0.1,10,15,WHI	1	SNA		2007-007013	R-CHIP;9.1Kohm,5%,1/16W,TP,1005	1	SA		
	AK96-01019A	ASSY-SUB PICK UP;SOH-SBP1,BD SLIM P	1	SNA		2007-007315	R-CHIP;3.9Kohm,1%,1/16W,TP,1005	2	SNA		
	0201-001525	ADHESIVE-UV;8840L,YEL,TRANS,23000,D	0.00004	SNA		2104-001087	VR-SMD;2.2Kohm,25%,0.15W,TOP	3	SA		
	0201-001709	ADHESIVE-UV;8839L,YEL,24500mPa,s,-	0.00001	SNA		2203-005900	C-CER,CHIP;1000NF,+80-20%,10V,Y5V,1	2	SA		
	0201-001819	ADHESIVE-UV;8833M,YELLOW,21000mPas,	0.02	SNA							

Exploded Views and Parts List

Loc.No	Parts No.	Description : Specification	Q'ty	S.N.A	Remark
	2203-006048	C-CER,CHIP;100nF,10%,10V,X7R,1005	5	SNA	
	3301-001808	BEAD-SMD;120ohm,1005,TP,530ohm/390M	5	SA	
	3708-002456	CONNECTOR-FPC/FFC/PIC;40P,0.5mm,SMD	1	SNA	
	AK41-00895A	FPC-MAIN;SOH-SBP1,1.4,PCB,40,T0.3	1	SNA	
	AK31-00040A	MOTOR DC-LOADING;BD-S4	1	SNA	
	AK66-00135A	PULLEY-MOTOR;BD-S4,POM,NTR	1	SNA	
	3409-001194	SWITCH-DETECTOR;5V,0.1mA - 100mA,28	3	SNA	
C- AV	AC39-42001R	CABLE-A/V;PVC	1	SA	
M0081	6003-001070	SCREW-TAPTYPE;BH,+B,M2,L4,ZPC(BLK)	3	SA	
T0153	AK69-00702C	PACKING CASE;BD-P4600,CB,SW2,A-1 TY	1	SA	
T0511	AK68-01809B	MANUAL USERS;BD-P4600/XEF,XEF,FRA,I	1	SA	
W001	6003-000275	SCREW-TAPTYPE;BH,+B,M3,L10,ZPC(BLK)	10	SA	
W275	6003-001561	SCREW-TAPTYPE;BH,+B,M3,L6,ZPC(WH)	3	SA	

M E M O