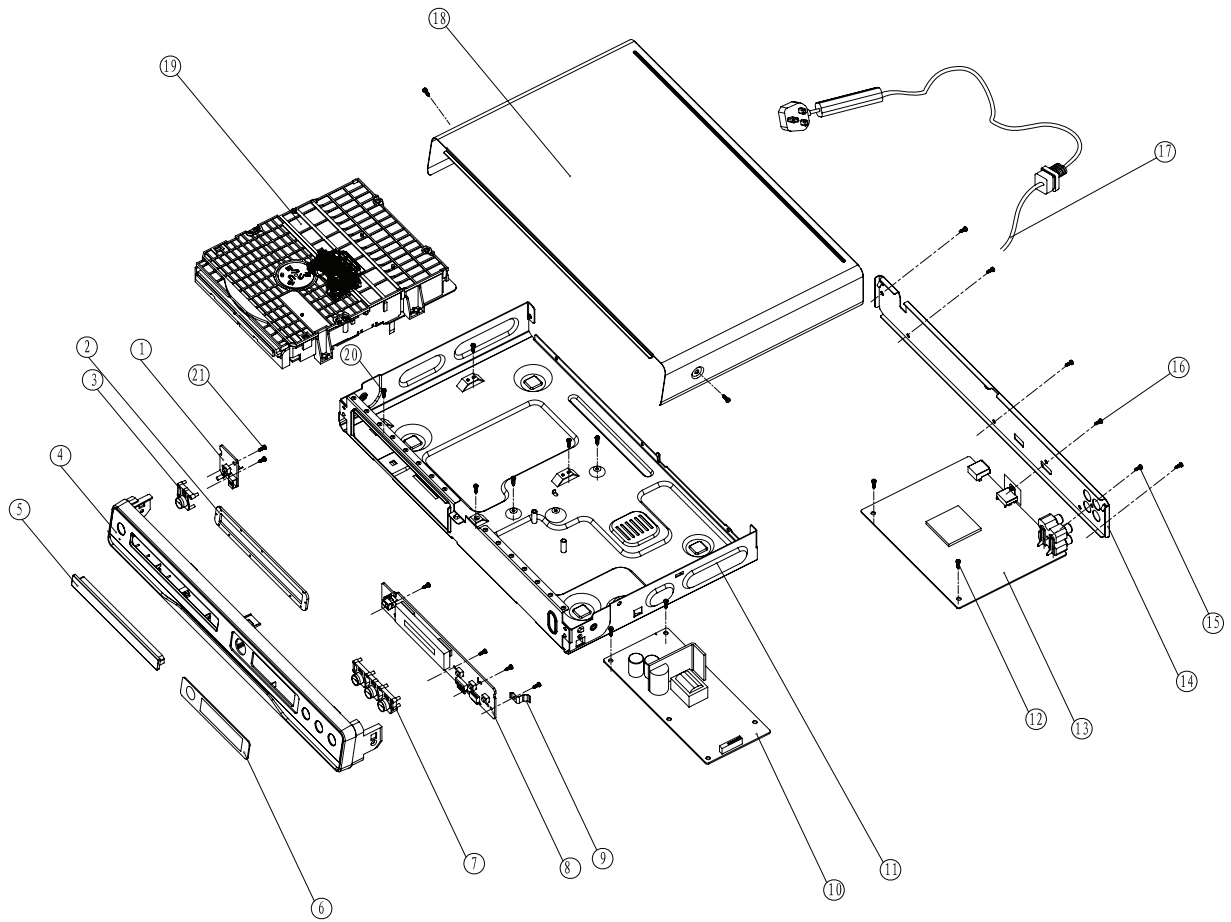
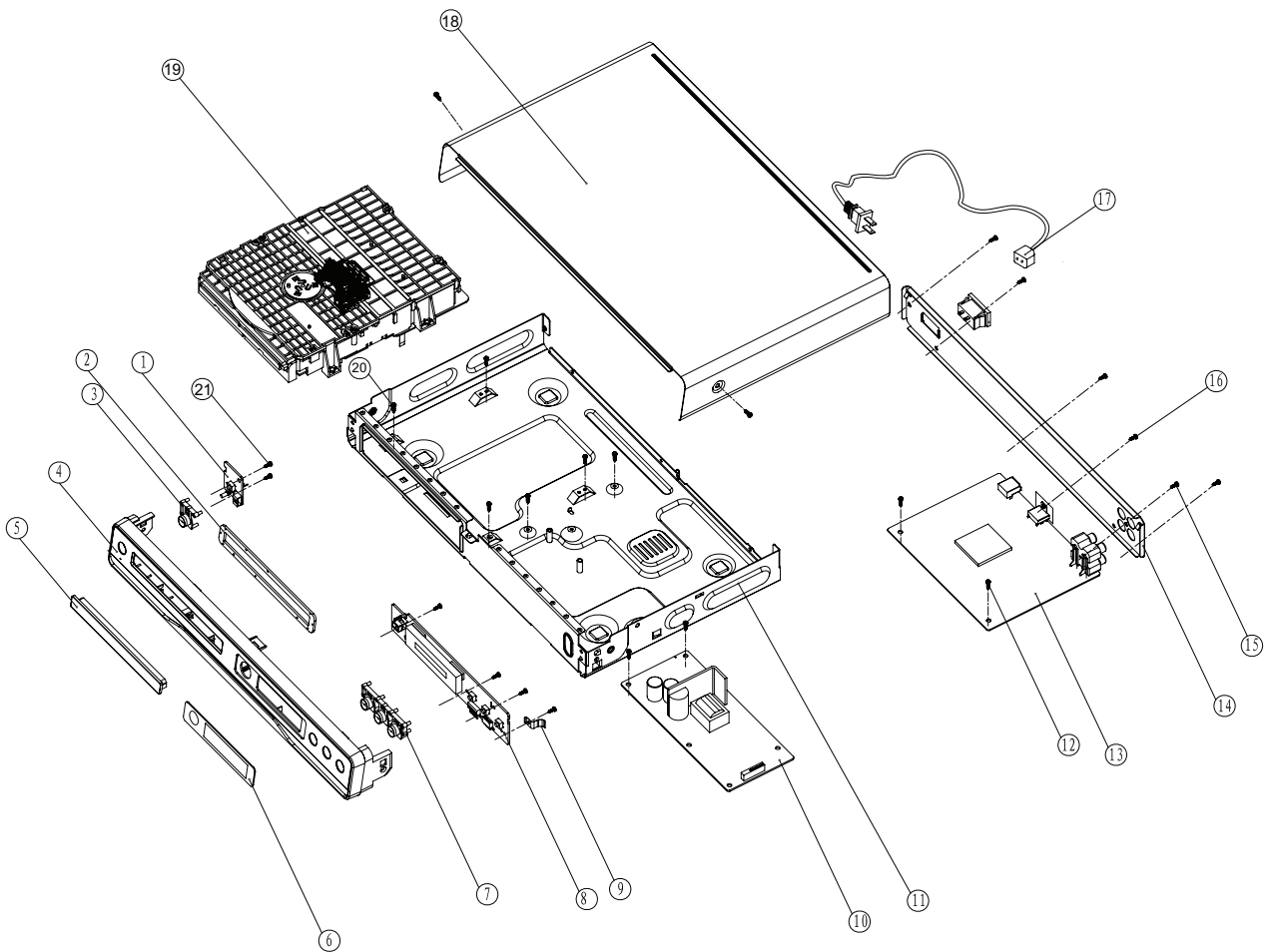


Exploded view for BDP2500/05:







It's a general mechanical exploded view for BDP2500/05, and pls refer to the model set for detailed information.
Assy1 includes components: 2.3.4.6.7

Exploded view for BDP2500/98:



It's a general mechanical exploded view for BDP2500/98, pls refer to the model set for detailed information.
Assy1 includes components:2.3.4.6.7

BDP2500/12/05/51 SERVICE PARTS

No.	12NC No.	Description	Q'ty
1	996510029506	ASSY-SW BD	1
 10	996510029504	ASSY-PW BD	1
 11	996510029508	BOTTOM CABINET	1
13	996510029502	ASSY-MAIN BD	1
14	996510029515	BACK PANEL	1
 17	996510029501	POWER CORD (For /12/51)	1
 17	996510029559	POWER CORD (For /05)	1
18	996510029503	TOP COVER	1
19	996510025832	ASA BOARD P021-C	1
5	996510029507	FRONT DOOR	1
8	996510029505	ASSY-FE BD	1
AVCABLE	996500020384	AUDIO/VIDEO CABLE 1	1
Assy1	996510029514	FRONT PANEL ASSY	1
CN504	996510025841	8P CABLE SAN-8P P2.0 L130	1
J303	996510025836	HD TRANSMISSION LINE	1
J320	996510025852	4PIN CABLE TJC3-4Y*2	1
JP1	996510025834	CABLE 5P 130MM FH-JC20	1
JP3	996510027138	4P cbl	1
JP2	996510030213	6PIN 2.0MM 280MM PH-JC20	1
RC	996510025848	REMOTE CONTROL	1
SATALINE	996510029499	SATA CABLE	1

Screws List

No	12NC No.	Description	Q'ty
12	—	ST SCREW B 3.0 X 6 BLACK	11
15	—	S/T SCREW B 3 X 8 BF	1
16	—	M/C SCREW 3 X 6 B	1
20	—	ST SCREW B 3.0 X 7 SILVER	4
21	—	S/T SCREW B 2.6 X 6 BF	6

SAFETY PRECAUTION

The parts identified by  mark are critical for safety. Replace only with part number specified.

The mounting position of replacement is to be identical with originals. The substitute replacement parts which do not have the same safety characteristics as specified in the parts list may create shock, fire or other hazards.

BDP2500/98 SERVICE PARTLIST

ELECTRICAL PARTLIST

No	12NC No.	Description	Q'ty
13	996510029502	ASSY-MAIN BD	1
1	996510029506	ASSY-SW BD	1
△ 10	996510029504	ASSY-PW BD	1
8	996510029505	ASSY-FE BD	1
19	996510025832	BLU-RAY DISC MODULE	1

ASSY-MAIN BD COMPONENT PARTLIST

NO	12NC NO.	Description	Q'ty
D201	996510026638	4-CHANNEL ESD SOLUTION	1
D206	996510026638	4-CHANNEL ESD SOLUTION	1
D208	996510014439	SMD. SWITCHING DIODE LL4148	1
D512	996510026617	IC PGB1010603	1
D513	996510026617	IC PGB1010603	1
D514	319801010620	DIO SIG SM BAV99 (COL) R	1
D515	319801010850	DIO REC SS34 COL R	1
D519	319801010850	DIO REC SS34 COL R	1
D523	996510014439	SMD. SWITCHING DIODE LL4148	1
D524	996510014439	SMD. SWITCHING DIODE LL4148	1
Q200	996510026641	N-channel MOSFET AO3414	1
Q206	996510009669	SMD.TRANSISTOR MMBT3904LT1 NPN	1
Q207	996510026641	N-channel MOSFET AO3414	1
Q208	996510026631	MOSFET AO3401	1
Q209	996510009769	N Channel MOSFET 2SK3108	1
Q210	996510009769	N Channel MOSFET 2SK3108	1
Q211	996510010949	MOSFET AO3402	1
Q212	996510009669	SMD.TRANSISTOR MMBT3904LT1 NPN	1
Q213	996510009670	TRANSISTOR SMT 3CG9012M	1
Q214	996510009670	TRANSISTOR SMT 3CG9012M	1
Q215	996510009669	SMD.TRANSISTOR MMBT3904LT1 NPN	1
Q216	996510009669	SMD.TRANSISTOR MMBT3904LT1 NPN	1
Q217	996510009669	SMD.TRANSISTOR MMBT3904LT1 NPN	1
Q218	996510009670	TRANSISTOR SMT 3CG9012M	1
Q219	996510009670	TRANSISTOR SMT 3CG9012M	1
Q220	996510009669	SMD.TRANSISTOR MMBT3904LT1 NPN	1
Q221	996510009669	SMD.TRANSISTOR MMBT3904LT1 NPN	1
U1	996510026642	IC G691L2	1
U101	996510026646	1Gb DDR2 SDRAM	1
U102	996510026646	1Gb DDR2 SDRAM	1
U103	996510026623	512Mb DDR2 SDRAM	1
U104	996510026623	512Mb DDR2 SDRAM	1
U106	996510026643	IC G2996	1
U107	996510030212	BD MAIN IC MT8520FXG	1
U3	996510026622	5A REGULATOR	1
U301	996510026615	1Gbit NAND FLASH	1
U4	996510026645	1A POSITIVE REGULATOR	1
U907	996510026619	IC EN25F8-01B FALSH	1
U908	996510026616	DC-DC 3A TPS54331	1
U909	996510026616	DC-DC 3A TPS54331	1
U914	996510026625	IC 78L050	1
U915	996510026652	IC 4385DA DAC	1
U916	996510010924	Dual operational amplifier	1
Y200	996510026628	CRYSTAL 27MHZ	1
Y300	996510026621	CRYSTAL 25MHZ	1

ASSY-FE BD COMPONENT PARTLIST

NO	12NC NO.	Description	Q'ty
IR1	996510026624	IR RECEIVER MODULE2.7-5.5V12mm	1
U2	996510026644	HT48R06A-1 OPT MCU	1
U4	996500026619	VFD DRIVER IC CS16312EN	1
VFD1	996510009816	VFD VFD20-0707FN	1

ASSY-PW BD COMPONENT PARTLIST

NO	12NC NO.	Description	Q'ty
D501	996510013568	DIODE FR107	1
D502	996510013568	DIODE FR107	1
D503	996500025702	DIODE SR3100	1
D504	996510013568	DIODE FR107	1
D505	996510009725	DIODE 2A1000V	1
D506	996510009725	DIODE 2A1000V	1
D507	996510009725	DIODE 2A1000V	1
D508	996510009725	DIODE 2A1000V	1
D509	996500027866	DIODE SR360 3A/60V	1
D510	996500027866	DIODE SR360 3A/60V	1
L3	996500032509	COIL SL0811-6R8K2R4	1
L6	996500032509	COIL SL0811-6R8K2R4	1
LF501	996510026639	COMMON INDUCTANCE	1
△ T501	996510030215	TRANSFORMER (BCK-03EF25)	1
U501	996510030211	PWM IC NCP1271B	1
U502	996500024838	PC123X9YFZ	1
U503	996500014609	IC AM431LP	1
U504	996500032514	IC KA278R12	1
U505	996510026629	IC L79L12ACZ	1
ZD501	996510007898	DIODE ZENER 24V 1/2W 5%	1
ZD502	996500015716	DIODE ZENER 33V 1/2W 5%	1
ZD503	996510007898	DIODE ZENER 24V 1/2W 5%	1
ZD506	996510006106	DIODE ZENER 5V6 1/2W 5%	1

MECHANICAL PARTLIST

No	12NC No.	Description	Q'ty
△ 11	996510029508	BOTTOM CABINET	1
14	996510030372	BACK PANEL	1
18	996510029503	TOP COVER	1
AVCABL	996500020384	AUDIO/VIDEO CABLE 1	1
Assy1	996510029514	FRONT PANEL ASSY	1
CN504	996510025841	8P CABLE SAN-8P P2.0 L130	1
DBOX	996510030214	DISPLAY BOX	1
J320	996510025852	4PIN CABLE TJC3-4Y*2	1
JP1	996510025834	CABLE 5P 130MM FH-JC20	1
JP2	996510030213	6PIN 2.0MM 280MM PH-JC20	1
JP3	996510027138	4P cbl	1
PAD	996510025837	SPONGE PAD	4
△ PCORD	996510001537	POWER CORD	1
RC	996510025848	REMOTE CONTROL	1
SATALIN	996510029499	SATA CABLE	1

Screws List

No	12NC No.	Description	Q'ty
12	—	ST SCREW B 3.0 X 6 BLACK	11
15	—	S/T SCREW B 3 X 8 BF	1
16	—	M/C SCREW 3 X 6 B	1
20	—	ST SCREW B 3.0 X 7 SILVER	4
21	—	S/T SCREW B 2.6 X 6 BF	6

REVISION LIST

Version 1.0

* Initial release for BDP2500/12/05

Version 1.1

* Correction:

19 996510025832 BLU-RAY DISC MODULE (was ASA BOARD P021-C)

Version 1.2

* Adding BDP2500/98

Version 1.3

* Adding BDP2500/51