

---

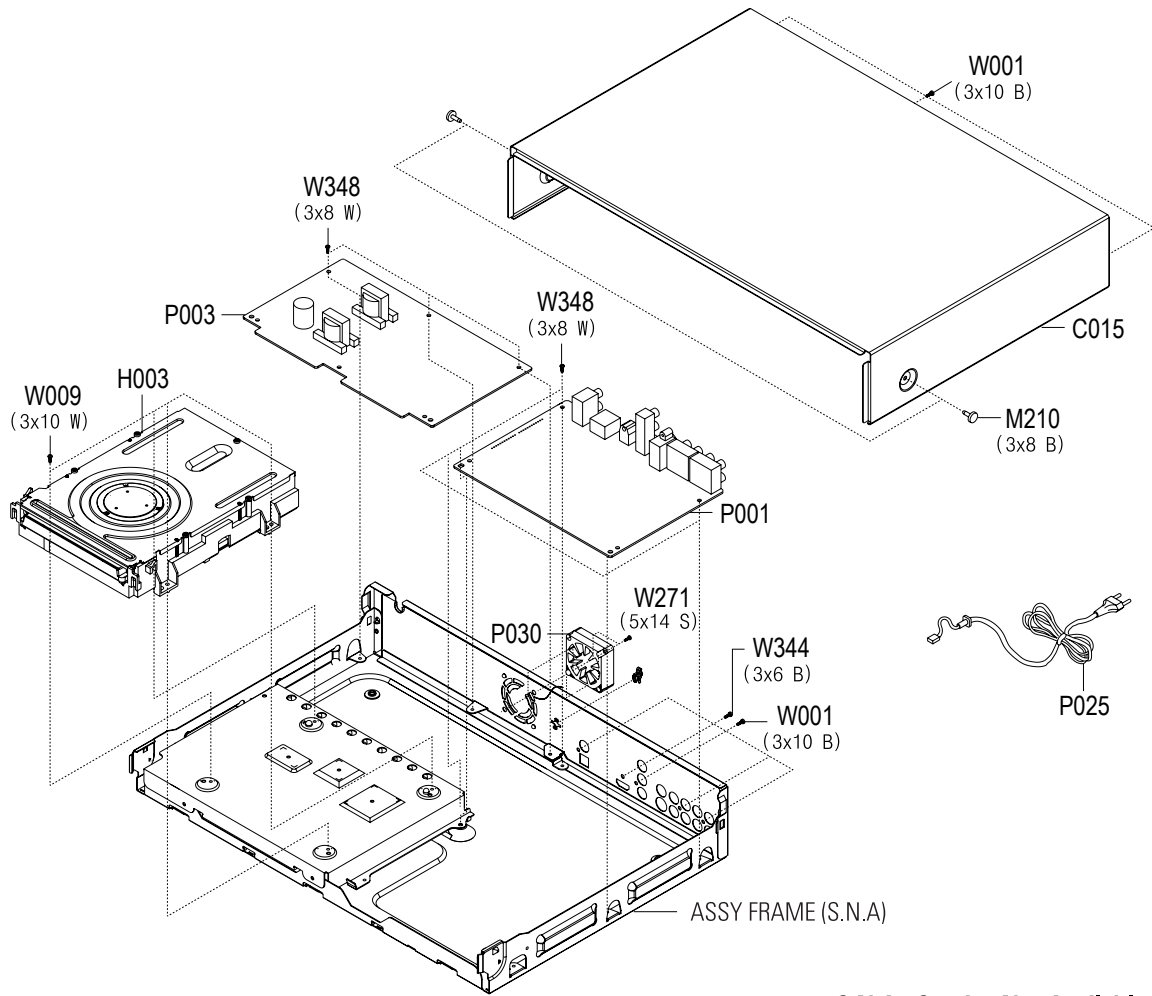
## **5. Exploded View and Parts List**

---

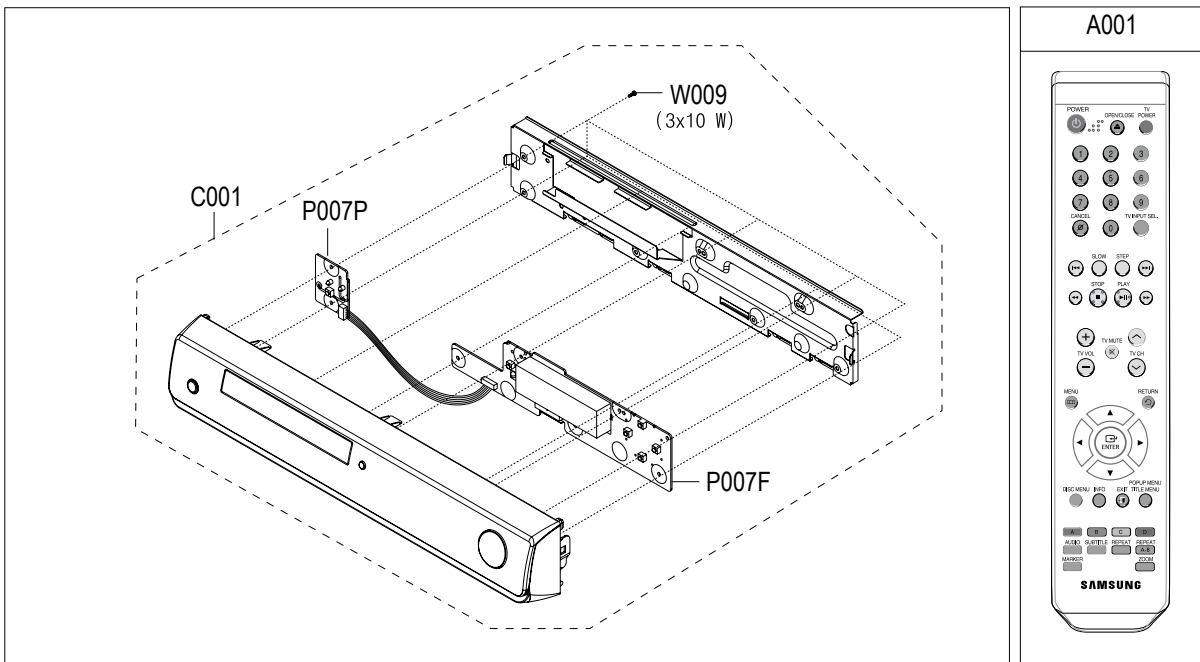
**5-1 Cabinet Assembly----- 5-2**

**5-2 Electrical Parts List----- 5-4**

### 5-1 Cabinet Assembly



● S.N.A.: Service Not Available



Loc. No	Parts No.	Description ; Specification	Q ty	SNA	Remark
A001	AK59-00070B	REMOCON-ASSY;BD-P1400/XER,SEC,240	1	SA	
C001	AK97-02081D	ASSY-PANEL FRONT;ABS HB,BD-P1400/	1	SA	
C015	AK63-00313C	COVER-TOP;BD-P1200,PCM,T0.7,W430,	1	SA	
H003	AK97-02140A	ASSY-BDP LOADER N;-;BD-P1400-SEC4	1	SA	
M210	AK81-00006B	WASHER-HEX;SWCH18A,7,12,2.5,BLK,-	2	SA	
P001	AK92-01515A	ASSY PCB-MAIN;BD-P1400/XEU,ASSY M	1	SA	
P003	AK92-01516A	ASSY PCB-SMPS;BD-P1400/XEU,ASSY S	1	SA	
P007F	AK92-01498B	ASSY PCB-FRONT KEY;BD-P1400/XEL,A	1	SA	
P007P	AK92-01507A	ASSY PCB-POWER KEY;BD-P1400,ASSY	1	SA	
P025	AC39-10019A	CBF-POWER CORD;KKP-419C,H03VVH2-F	1	SA	
P030	3103-001158	FAN-DC;12V,20mA,2000rpm,0.125m^3/	1	SA	
W001	6003-000275	SCREW-TAPTITE;BH,+,-,B,M3,L10,ZPC	8	SA	
W009	6003-000276	SCREW-TAPTITE;BH,+,-,B,M3,L10,ZPC	13	SA	
W271	6009-001411	SCREW-SPECIAL;TH,+,-,M5,L14,NI PL	2	SA	
W344	6003-001076	SCREW-TAPTITE;BH,+,-,S,M3,L6,ZPC{	1	SA	
W348	6003-000255	SCREW-TAPTITE;BWH,+,-,B,M3,L8,ZPC	8	SA	

## 5-2 Electrical Parts List

Loc.No	Loc.No	Description : Specification	Q'ty	S.N.A	Remark	Loc.No	Loc.No	Description : Specification	Q'ty	S.N.A	Remark
<b>P001</b>	<b>AK92-01515A</b>	<b>ASSY PCB-MAIN;BD-P1400/XEU,ASSY M</b>	<b>1</b>	<b>SA</b>		AE15	2402-001269	C-AL,SMD;10uF,20%,10V,WT(BP),REEL	1	SA	
AC108	2203-005148	C-CER,CHIP;100nF,10%,16V,X7R,TP,1	1	SA		AE16	2402-001269	C-AL,SMD;10uF,20%,10V,WT(BP),REEL	1	SA	
AC111	2203-005148	C-CER,CHIP;100nF,10%,16V,X7R,TP,1	1	SA		AE17	2402-001269	C-AL,SMD;10uF,20%,10V,WT(BP),REEL	1	SA	
AC135	2203-005148	C-CER,CHIP;100nF,10%,16V,X7R,TP,1	1	SA		AE18	2402-001269	C-AL,SMD;10uF,20%,10V,WT(BP),REEL	1	SA	
AC136	2203-005148	C-CER,CHIP;100nF,10%,16V,X7R,TP,1	1	SA		AE19	2402-001269	C-AL,SMD;10uF,20%,10V,WT(BP),REEL	1	SA	
AC137	2203-005148	C-CER,CHIP;100nF,10%,16V,X7R,TP,1	1	SA		AE20	2402-000170	C-AL,SMD;1uF,20%,50V,GP,TP,4.3x4	1	SA	
AC138	2203-005148	C-CER,CHIP;100nF,10%,16V,X7R,TP,1	1	SA		AE4	2402-001042	C-AL,SMD;100uF,20%,16V,GP,TP,6.6x	1	SA	
AC139	3301-001419	BEAD-SMD;220ohm,1608,TP,133ohm/70	1	SA		AE5	2402-001096	C-AL,SMD;220UF,20%,16V,GP,TP,6.6X	1	SA	
AC2	2203-005148	C-CER,CHIP;100nF,10%,16V,X7R,TP,1	1	SA		AE6	2402-001042	C-AL,SMD;100uF,20%,16V,GP,TP,6.6x	1	SA	
AC22	2203-000726	C-CER,CHIP;3.9nF,10%,50V,X7R,1608	1	SA		AIC1	AH14-10004R	IC-CMOS LOGIC;74HCU04,-,SOP,14P,-	1	SA	
AC23	2203-000726	C-CER,CHIP;3.9nF,10%,50V,X7R,1608	1	SA		AIC2	1002-001456	IC-D/A CONVERTER;AK4358,24Bits,LQ	1	SA	
AC24	2203-000726	C-CER,CHIP;3.9nF,10%,50V,X7R,1608	1	SA		AIC4	1201-000163	IC-OP AMP;4560,SOP,8P,173MIL,DUAL	1	SA	
AC25	2203-000726	C-CER,CHIP;3.9nF,10%,50V,X7R,1608	1	SA		AIC5	1201-000163	IC-OP AMP;4560,SOP,8P,173MIL,DUAL	1	SA	
AC26	2203-000726	C-CER,CHIP;3.9nF,10%,50V,X7R,1608	1	SA		AIC6	1201-000163	IC-OP AMP;4560,SOP,8P,173MIL,DUAL	1	SA	
AC27	2203-000726	C-CER,CHIP;3.9nF,10%,50V,X7R,1608	1	SA		AIC7	1201-000163	IC-OP AMP;4560,SOP,8P,173MIL,DUAL	1	SA	
AC28	2203-000726	C-CER,CHIP;3.9nF,10%,50V,X7R,1608	1	SA		AJ1	3722-002272	JACK-PIN;2P,AU,BLK,ANGLE	1	SA	
AC29	2203-000726	C-CER,CHIP;3.9nF,10%,50V,X7R,1608	1	SA		AJACK2	3722-002466	JACK-PIN;4P,Au,WHx2/RDx2,ANGLE	1	SA	
AC32	2203-001656	C-CER,CHIP;0.47nF,5%,50V,NP0,1608	1	SA		AJACK3	3722-002466	JACK-PIN;4P,Au,WHx2/RDx2,ANGLE	1	SA	
AC33	2203-001656	C-CER,CHIP;0.47nF,5%,50V,NP0,1608	1	SA		AL1	2901-001273	FILTER-EMI SMD;50V,2A,-,220pF,3.2	1	SA	
AC34	2203-001656	C-CER,CHIP;0.47nF,5%,50V,NP0,1608	1	SA		ANR123	2011-000660	R-NETWORK;1Kohm,5%,1/16W,L,CHIP,8	1	SA	
AC35	2203-001656	C-CER,CHIP;0.47nF,5%,50V,NP0,1608	1	SA		ANR127	2011-000660	R-NETWORK;1Kohm,5%,1/16W,L,CHIP,8	1	SA	
AC36	2203-001656	C-CER,CHIP;0.47nF,5%,50V,NP0,1608	1	SA		AQ1	0504-000156	TR-DIGITAL;KSR2103,PNP,200MW,22K/	1	SA	
AC37	2203-001656	C-CER,CHIP;0.47nF,5%,50V,NP0,1608	1	SA		AQ12	0501-000341	TR-SMALL SIGNAL;KSC1623-L,NPN,200	1	SA	
AC38	2203-001656	C-CER,CHIP;0.47nF,5%,50V,NP0,1608	1	SA		AQ13	0501-000341	TR-SMALL SIGNAL;KSC1623-L,NPN,200	1	SA	
AC39	2203-001656	C-CER,CHIP;0.47nF,5%,50V,NP0,1608	1	SA		AQ14	0501-000341	TR-SMALL SIGNAL;KSC1623-L,NPN,200	1	SA	
AC42	2203-001656	C-CER,CHIP;0.47nF,5%,50V,NP0,1608	1	SA		AQ15	0501-000341	TR-SMALL SIGNAL;KSC1623-L,NPN,200	1	SA	
AC43	2203-001656	C-CER,CHIP;0.47nF,5%,50V,NP0,1608	1	SA		AQ16	0501-000341	TR-SMALL SIGNAL;KSC1623-L,NPN,200	1	SA	
AC44	2203-001656	C-CER,CHIP;0.47nF,5%,50V,NP0,1608	1	SA		AQ17	0501-000341	TR-SMALL SIGNAL;KSC1623-L,NPN,200	1	SA	
AC45	2203-001656	C-CER,CHIP;0.47nF,5%,50V,NP0,1608	1	SA		AQ18	0501-000341	TR-SMALL SIGNAL;KSC1623-L,NPN,200	1	SA	
AC46	2203-001656	C-CER,CHIP;0.47nF,5%,50V,NP0,1608	1	SA		AQ19	0501-000341	TR-SMALL SIGNAL;KSC1623-L,NPN,200	1	SA	
AC47	2203-001656	C-CER,CHIP;0.47nF,5%,50V,NP0,1608	1	SA		AQ2	0504-000128	TR-DIGITAL;-NPN,200MW,22K/22K,SO	1	SA	
AC48	2203-001656	C-CER,CHIP;0.47nF,5%,50V,NP0,1608	1	SA		AQ3	0501-000002	TR-SMALL SIGNAL;KSA812,PNP,150MW,	1	SA	
AC49	2203-001656	C-CER,CHIP;0.47nF,5%,50V,NP0,1608	1	SA		AQ4	0504-000128	TR-DIGITAL;-NPN,200MW,22K/22K,SO	1	SA	
AC62	2203-005194	C-CER,CHIP;0.22nF,10%,50V,X7R,160	1	SA		AQ5	0504-000156	TR-DIGITAL;KSR2103,PNP,200MW,22K/	1	SA	
AC63	2203-005194	C-CER,CHIP;0.22nF,10%,50V,X7R,160	1	SA		AQ6	0504-000156	TR-DIGITAL;KSR2103,PNP,200MW,22K/	1	SA	
AC64	2203-005194	C-CER,CHIP;0.22nF,10%,50V,X7R,160	1	SA		AQ7	0504-000128	TR-DIGITAL;-NPN,200MW,22K/22K,SO	1	SA	
AC65	2203-005194	C-CER,CHIP;0.22nF,10%,50V,X7R,160	1	SA		AQ8	0504-000156	TR-DIGITAL;KSR2103,PNP,200MW,22K/	1	SA	
AC66	2203-005194	C-CER,CHIP;0.22nF,10%,50V,X7R,160	1	SA		AQ9	0504-000128	TR-DIGITAL;-NPN,200MW,22K/22K,SO	1	SA	
AC67	2203-005194	C-CER,CHIP;0.22nF,10%,50V,X7R,160	1	SA		AR01	2007-000070	R-CHIP;0ohm,5%,1/10W,TP,1608	1	SA	
AC68	2203-005194	C-CER,CHIP;0.22nF,10%,50V,X7R,160	1	SA		AR02	2007-000125	R-CHIP;3.9Kohm,5%,1/10W,TP,1608	1	SA	
AC69	2203-005194	C-CER,CHIP;0.22nF,10%,50V,X7R,160	1	SA		AR03	2007-000125	R-CHIP;3.9Kohm,5%,1/10W,TP,1608	1	SA	
AD12	0407-000123	DIODE-ARRAY;DAN202K,80V,100mA,CA2	1	SA		AR04	2007-000125	R-CHIP;3.9Kohm,5%,1/10W,TP,1608	1	SA	
AD13	0407-000123	DIODE-ARRAY;DAN202K,80V,100mA,CA2	1	SA		AR05	2007-000125	R-CHIP;3.9Kohm,5%,1/10W,TP,1608	1	SA	
AD14	0407-000123	DIODE-ARRAY;DAN202K,80V,100mA,CA2	1	SA		AR06	2007-000125	R-CHIP;3.9Kohm,5%,1/10W,TP,1608	1	SA	
AD15	0407-000123	DIODE-ARRAY;DAN202K,80V,100mA,CA2	1	SA		AR07	2007-000125	R-CHIP;3.9Kohm,5%,1/10W,TP,1608	1	SA	
AD16	0407-000123	DIODE-ARRAY;DAN202K,80V,100mA,CA2	1	SA		AR08	2007-000125	R-CHIP;3.9Kohm,5%,1/10W,TP,1608	1	SA	
AD17	0407-000123	DIODE-ARRAY;DAN202K,80V,100mA,CA2	1	SA		AR09	2007-000125	R-CHIP;3.9Kohm,5%,1/10W,TP,1608	1	SA	
AD18	0407-000123	DIODE-ARRAY;DAN202K,80V,100mA,CA2	1	SA		AR10	2007-000070	R-CHIP;0ohm,5%,1/10W,TP,1608	1	SA	
AD19	0407-000123	DIODE-ARRAY;DAN202K,80V,100mA,CA2	1	SA		AR102	2007-000084	R-CHIP;4.7Kohm,5%,1/10W,TP,1608	1	SA	
AD4	0401-000008	DIODE-SWITCHING;DAN217,80V,100MA,	1	SA		AR103	2007-000084	R-CHIP;4.7Kohm,5%,1/10W,TP,1608	1	SA	
AD6	0407-000123	DIODE-ARRAY;DAN202K,80V,100mA,CA2	1	SA		AR104	2007-000084	R-CHIP;4.7Kohm,5%,1/10W,TP,1608	1	SA	
AD8	0407-000123	DIODE-ARRAY;DAN202K,80V,100mA,CA2	1	SA		AR105	2007-000084	R-CHIP;4.7Kohm,5%,1/10W,TP,1608	1	SA	
AE1	2402-000176	C-AL,SMD;10uF,20%,16V,GP,TP,4.3x4	1	SA		AR106	2007-000070	R-CHIP;0ohm,5%,1/10W,TP,1608	1	SA	
AE12	2402-001269	C-AL,SMD;10uF,20%,10V,WT(BP),REEL	1	SA		AR107	2007-000070	R-CHIP;0ohm,5%,1/10W,TP,1608	1	SA	
AE13	2402-001269	C-AL,SMD;10uF,20%,10V,WT(BP),REEL	1	SA		AR108	2007-000074	R-CHIP;100ohm,5%,1/10W,TP,1608	1	SA	
AE14	2402-001269	C-AL,SMD;10uF,20%,10V,WT(BP),REEL	1	SA		AR109	2007-000084	R-CHIP;4.7Kohm,5%,1/10W,TP,1608	1	SA	

Loc.No	Loc.No	Description : Specification	Q'ty	S.N.A	Remark	Loc.No	Loc.No	Description : Specification	Q'ty	S.N.A	Remark
AR110	2007-000084	R-CHIP;4.7Kohm,5%,1/10W,TP,1608	1	SA		AR65	2007-000090	R-CHIP;10Kohm,5%,1/10W,TP,1608	1	SA	
AR111	2007-000029	R-CHIP;0ohm,5%,1/8W,TP,2012	1	SA		AR66	2007-000090	R-CHIP;10Kohm,5%,1/10W,TP,1608	1	SA	
AR112	2007-000084	R-CHIP;4.7Kohm,5%,1/10W,TP,1608	1	SA		AR67	2007-000090	R-CHIP;10Kohm,5%,1/10W,TP,1608	1	SA	
AR113	2007-000084	R-CHIP;4.7Kohm,5%,1/10W,TP,1608	1	SA		AR68	2007-000090	R-CHIP;10Kohm,5%,1/10W,TP,1608	1	SA	
AR12	2007-000125	R-CHIP;3.9Kohm,5%,1/10W,TP,1608	1	SA		AR69	2007-000090	R-CHIP;10Kohm,5%,1/10W,TP,1608	1	SA	
AR122	2007-000029	R-CHIP;0ohm,5%,1/8W,TP,2012	1	SA		AR72	2007-000075	R-CHIP;220ohm,5%,1/10W,TP,1608	1	SA	
AR13	2007-000125	R-CHIP;3.9Kohm,5%,1/10W,TP,1608	1	SA		AR73	2007-000075	R-CHIP;220ohm,5%,1/10W,TP,1608	1	SA	
AR131	2007-000070	R-CHIP;0ohm,5%,1/10W,TP,1608	1	SA		AR74	2007-000075	R-CHIP;220ohm,5%,1/10W,TP,1608	1	SA	
AR135	2007-000078	R-CHIP;1Kohm,5%,1/10W,TP,1608	1	SA		AR75	2007-000075	R-CHIP;220ohm,5%,1/10W,TP,1608	1	SA	
AR14	2007-000125	R-CHIP;3.9Kohm,5%,1/10W,TP,1608	1	SA		AR76	2007-000075	R-CHIP;220ohm,5%,1/10W,TP,1608	1	SA	
AR15	2007-000125	R-CHIP;3.9Kohm,5%,1/10W,TP,1608	1	SA		AR77	2007-000075	R-CHIP;220ohm,5%,1/10W,TP,1608	1	SA	
AR150	2007-000078	R-CHIP;1Kohm,5%,1/10W,TP,1608	1	SA		AR78	2007-000075	R-CHIP;220ohm,5%,1/10W,TP,1608	1	SA	
AR152	2007-000078	R-CHIP;1Kohm,5%,1/10W,TP,1608	1	SA		AR79	2007-000075	R-CHIP;220ohm,5%,1/10W,TP,1608	1	SA	
AR153	2007-000078	R-CHIP;1Kohm,5%,1/10W,TP,1608	1	SA		AR82	2007-000078	R-CHIP;1Kohm,5%,1/10W,TP,1608	1	SA	
AR158	2007-000077	R-CHIP;470ohm,5%,1/10W,TP,1608	1	SA		AR83	2007-000078	R-CHIP;1Kohm,5%,1/10W,TP,1608	1	SA	
AR16	2007-000125	R-CHIP;3.9Kohm,5%,1/10W,TP,1608	1	SA		AR84	2007-000078	R-CHIP;1Kohm,5%,1/10W,TP,1608	1	SA	
AR160	2007-000075	R-CHIP;220ohm,5%,1/10W,TP,1608	1	SA		AR85	2007-000078	R-CHIP;1Kohm,5%,1/10W,TP,1608	1	SA	
AR161	2007-001167	R-CHIP;75ohm,5%,1/10W,TP,1608	1	SA		AR86	2007-000078	R-CHIP;1Kohm,5%,1/10W,TP,1608	1	SA	
AR162	2007-000070	R-CHIP;0ohm,5%,1/10W,TP,1608	1	SA		AR87	2007-000078	R-CHIP;1Kohm,5%,1/10W,TP,1608	1	SA	
AR163	2007-000070	R-CHIP;0ohm,5%,1/10W,TP,1608	1	SA		AR88	2007-000078	R-CHIP;1Kohm,5%,1/10W,TP,1608	1	SA	
AR164	2007-000076	R-CHIP;330ohm,5%,1/10W,TP,1608	1	SA		AR89	2007-000078	R-CHIP;1Kohm,5%,1/10W,TP,1608	1	SA	
AR17	2007-000125	R-CHIP;3.9Kohm,5%,1/10W,TP,1608	1	SA		AR92	2007-000643	R-CHIP;270ohm,5%,1/10W,TP,1608	1	SA	
AR18	2007-000125	R-CHIP;3.9Kohm,5%,1/10W,TP,1608	1	SA		AR93	2007-000643	R-CHIP;270ohm,5%,1/10W,TP,1608	1	SA	
AR19	2007-000125	R-CHIP;3.9Kohm,5%,1/10W,TP,1608	1	SA		AR94	2007-000643	R-CHIP;270ohm,5%,1/10W,TP,1608	1	SA	
AR22	2007-000450	R-CHIP;180ohm,5%,1/10W,TP,1608	1	SA		AR95	2007-000643	R-CHIP;270ohm,5%,1/10W,TP,1608	1	SA	
AR23	2007-000450	R-CHIP;180ohm,5%,1/10W,TP,1608	1	SA		AR96	2007-000643	R-CHIP;270ohm,5%,1/10W,TP,1608	1	SA	
AR24	2007-000450	R-CHIP;180ohm,5%,1/10W,TP,1608	1	SA		AR97	2007-000643	R-CHIP;270ohm,5%,1/10W,TP,1608	1	SA	
AR25	2007-000450	R-CHIP;180ohm,5%,1/10W,TP,1608	1	SA		AR98	2007-000643	R-CHIP;270ohm,5%,1/10W,TP,1608	1	SA	
AR26	2007-000450	R-CHIP;180ohm,5%,1/10W,TP,1608	1	SA		AR99	2007-000643	R-CHIP;270ohm,5%,1/10W,TP,1608	1	SA	
AR27	2007-000450	R-CHIP;180ohm,5%,1/10W,TP,1608	1	SA		C100	2203-005065	C-CER,CHIP;1000nF,+80-20%,10V,Y5V	1	SA	
AR28	2007-000450	R-CHIP;180ohm,5%,1/10W,TP,1608	1	SA		C101	2203-001656	C-CER,CHIP;0.47nF,5%,50V,NP0,1608	1	SA	
AR29	2007-000450	R-CHIP;180ohm,5%,1/10W,TP,1608	1	SA		C102	2203-005148	C-CER,CHIP;100nF,10%,16V,X7R,TP,1	1	SA	
AR32	2007-000450	R-CHIP;180ohm,5%,1/10W,TP,1608	1	SA		C103	2203-005148	C-CER,CHIP;100nF,10%,16V,X7R,TP,1	1	SA	
AR33	2007-000450	R-CHIP;180ohm,5%,1/10W,TP,1608	1	SA		C104	2203-005148	C-CER,CHIP;100nF,10%,16V,X7R,TP,1	1	SA	
AR34	2007-000450	R-CHIP;180ohm,5%,1/10W,TP,1608	1	SA		C105	2203-005148	C-CER,CHIP;100nF,10%,16V,X7R,TP,1	1	SA	
AR35	2007-000450	R-CHIP;180ohm,5%,1/10W,TP,1608	1	SA		C106	2203-005148	C-CER,CHIP;100nF,10%,16V,X7R,TP,1	1	SA	
AR36	2007-000450	R-CHIP;180ohm,5%,1/10W,TP,1608	1	SA		C107	2203-005148	C-CER,CHIP;100nF,10%,16V,X7R,TP,1	1	SA	
AR37	2007-000450	R-CHIP;180ohm,5%,1/10W,TP,1608	1	SA		C108	2203-005148	C-CER,CHIP;100nF,10%,16V,X7R,TP,1	1	SA	
AR38	2007-000450	R-CHIP;180ohm,5%,1/10W,TP,1608	1	SA		C109	2203-005148	C-CER,CHIP;100nF,10%,16V,X7R,TP,1	1	SA	
AR39	2007-000450	R-CHIP;180ohm,5%,1/10W,TP,1608	1	SA		C110	2203-005148	C-CER,CHIP;100nF,10%,16V,X7R,TP,1	1	SA	
AR42	2007-000084	R-CHIP;4.7Kohm,5%,1/10W,TP,1608	1	SA		C111	2203-005148	C-CER,CHIP;100nF,10%,16V,X7R,TP,1	1	SA	
AR43	2007-000084	R-CHIP;4.7Kohm,5%,1/10W,TP,1608	1	SA		C112	2203-005148	C-CER,CHIP;100nF,10%,16V,X7R,TP,1	1	SA	
AR44	2007-000084	R-CHIP;4.7Kohm,5%,1/10W,TP,1608	1	SA		C113	2203-005148	C-CER,CHIP;100nF,10%,16V,X7R,TP,1	1	SA	
AR45	2007-000084	R-CHIP;4.7Kohm,5%,1/10W,TP,1608	1	SA		C114	2203-005148	C-CER,CHIP;100nF,10%,16V,X7R,TP,1	1	SA	
AR46	2007-000084	R-CHIP;4.7Kohm,5%,1/10W,TP,1608	1	SA		C115	2203-005148	C-CER,CHIP;100nF,10%,16V,X7R,TP,1	1	SA	
AR47	2007-000084	R-CHIP;4.7Kohm,5%,1/10W,TP,1608	1	SA		C116	2203-005148	C-CER,CHIP;100nF,10%,16V,X7R,TP,1	1	SA	
AR48	2007-000084	R-CHIP;4.7Kohm,5%,1/10W,TP,1608	1	SA		C117	2203-005148	C-CER,CHIP;100nF,10%,16V,X7R,TP,1	1	SA	
AR49	2007-000084	R-CHIP;4.7Kohm,5%,1/10W,TP,1608	1	SA		C118	2203-005148	C-CER,CHIP;100nF,10%,16V,X7R,TP,1	1	SA	
AR52	2007-000070	R-CHIP;0ohm,5%,1/10W,TP,1608	1	SA		C119	2203-005148	C-CER,CHIP;100nF,10%,16V,X7R,TP,1	1	SA	
AR53	2007-000070	R-CHIP;0ohm,5%,1/10W,TP,1608	1	SA		C120	2203-005148	C-CER,CHIP;100nF,10%,16V,X7R,TP,1	1	SA	
AR54	2007-000070	R-CHIP;0ohm,5%,1/10W,TP,1608	1	SA		C121	2203-005148	C-CER,CHIP;100nF,10%,16V,X7R,TP,1	1	SA	
AR55	2007-000070	R-CHIP;0ohm,5%,1/10W,TP,1608	1	SA		C122	2203-005148	C-CER,CHIP;100nF,10%,16V,X7R,TP,1	1	SA	
AR56	2007-000070	R-CHIP;0ohm,5%,1/10W,TP,1608	1	SA		C123	2203-005148	C-CER,CHIP;100nF,10%,16V,X7R,TP,1	1	SA	
AR57	2007-000070	R-CHIP;0ohm,5%,1/10W,TP,1608	1	SA		C124	2203-005148	C-CER,CHIP;100nF,10%,16V,X7R,TP,1	1	SA	
AR58	2007-000070	R-CHIP;0ohm,5%,1/10W,TP,1608	1	SA		C125	2203-006361	C-CER,CHIP;10000nF,10%,10V,X5R,20	1	SA	
AR59	2007-000070	R-CHIP;0ohm,5%,1/10W,TP,1608	1	SA		C126	2203-006361	C-CER,CHIP;10000nF,10%,10V,X5R,20	1	SA	
AR62	2007-000090	R-CHIP;10Kohm,5%,1/10W,TP,1608	1	SA		C127	2203-006361	C-CER,CHIP;10000nF,10%,10V,X5R,20	1	SA	
AR63	2007-000090	R-CHIP;10Kohm,5%,1/10W,TP,1608	1	SA		C128	2203-006361	C-CER,CHIP;10000nF,10%,10V,X5R,20	1	SA	
AR64	2007-000090	R-CHIP;10Kohm,5%,1/10W,TP,1608	1	SA		C175	2203-000189	C-CER,CHIP;100nF,+80-20%,25V,Y5V,	1	SA	

Exploded Views and Parts List

Loc.No	Loc.No	Description : Specification	Q'ty	S.N.A	Remark	Loc.No	Loc.No	Description : Specification	Q'ty	S.N.A	Remark
C176	2203-00189	C-CER,CHIP;100nF,+80-20%,25V,Y5V,	1	SA		DC17	2203-005148	C-CER,CHIP;100nF,10%,16V,X7R,TP,1	1	SA	
C183	2203-005148	C-CER,CHIP;100nF,10%,16V,X7R,TP,1	1	SA		DC18	2203-005148	C-CER,CHIP;100nF,10%,16V,X7R,TP,1	1	SA	
C184	2203-005148	C-CER,CHIP;100nF,10%,16V,X7R,TP,1	1	SA		DC19	2203-005148	C-CER,CHIP;100nF,10%,16V,X7R,TP,1	1	SA	
C185	2203-005148	C-CER,CHIP;100nF,10%,16V,X7R,TP,1	1	SA		DC20	2203-005148	C-CER,CHIP;100nF,10%,16V,X7R,TP,1	1	SA	
C186	2203-005148	C-CER,CHIP;100nF,10%,16V,X7R,TP,1	1	SA		DC202	2203-005148	C-CER,CHIP;100nF,10%,16V,X7R,TP,1	1	SA	
C187	2203-005148	C-CER,CHIP;100nF,10%,16V,X7R,TP,1	1	SA		DC204	2203-005148	C-CER,CHIP;100nF,10%,16V,X7R,TP,1	1	SA	
C188	2203-005148	C-CER,CHIP;100nF,10%,16V,X7R,TP,1	1	SA		DC21	2203-005148	C-CER,CHIP;100nF,10%,16V,X7R,TP,1	1	SA	
C189	2402-001042	C-AL,SMD;100uF,20%,16V,GP,TP,6.6x	1	SA		DC22	2203-005148	C-CER,CHIP;100nF,10%,16V,X7R,TP,1	1	SA	
C195	2203-006361	C-CER,CHIP;10000nF,10%,10V,X5R,20	1	SA		DC23	2203-005148	C-CER,CHIP;100nF,10%,16V,X7R,TP,1	1	SA	
C263	2203-000972	C-CER,CHIP;47nF,10%,16V,X7R,1608	1	SA		DC24	2203-005148	C-CER,CHIP;100nF,10%,16V,X7R,TP,1	1	SA	
CEC01	2203-005148	C-CER,CHIP;100nF,10%,16V,X7R,TP,1	1	SA		DC25	2203-005148	C-CER,CHIP;100nF,10%,16V,X7R,TP,1	1	SA	
CEC02	2402-000176	C-AL,SMD;10uF,20%,16V,GP,TP,4.3x4	1	SA		DC26	2203-005148	C-CER,CHIP;100nF,10%,16V,X7R,TP,1	1	SA	
CEC03	2203-005148	C-CER,CHIP;100nF,10%,16V,X7R,TP,1	1	SA		DC27	2203-005148	C-CER,CHIP;100nF,10%,16V,X7R,TP,1	1	SA	
CEC04	2203-005148	C-CER,CHIP;100nF,10%,16V,X7R,TP,1	1	SA		DC28	2203-005148	C-CER,CHIP;100nF,10%,16V,X7R,TP,1	1	SA	
CEHC22	2203-005148	C-CER,CHIP;100nF,10%,16V,X7R,TP,1	1	SA		DC29	2203-005148	C-CER,CHIP;100nF,10%,16V,X7R,TP,1	1	SA	
CEHC24	2203-005148	C-CER,CHIP;100nF,10%,16V,X7R,TP,1	1	SA		DC3	2203-005148	C-CER,CHIP;100nF,10%,16V,X7R,TP,1	1	SA	
CEHC26	2203-005148	C-CER,CHIP;100nF,10%,16V,X7R,TP,1	1	SA		DC30	2203-005148	C-CER,CHIP;100nF,10%,16V,X7R,TP,1	1	SA	
CEHE6	2402-000179	C-AL,SMD;47uF,20%,16V,GP,TP,6.6x6	1	SA		DC31	2203-005148	C-CER,CHIP;100nF,10%,16V,X7R,TP,1	1	SA	
CEHE8	2402-000179	C-AL,SMD;47uF,20%,16V,GP,TP,6.6x6	1	SA		DC32	2203-005148	C-CER,CHIP;100nF,10%,16V,X7R,TP,1	1	SA	
CEIC1	AK09-00159A	IC MICOM;-,MC80C316-MC015 D32,44	1	SNA		DC33	2203-005148	C-CER,CHIP;100nF,10%,16V,X7R,TP,1	1	SA	
CEIC2	1103-001398	IC-EEPROM;24C02,2Kbit,256Kx8,SOIC	1	SA		DC34	2203-005148	C-CER,CHIP;100nF,10%,16V,X7R,TP,1	1	SA	
CEOR01	2007-000070	R-CHIP;0ohm,5%,1/10W,TP,1608	1	SA		DC35	2203-005148	C-CER,CHIP;100nF,10%,16V,X7R,TP,1	1	SA	
CEOR02	2007-000033	R-CHIP;0ohm,5%,1/4W,TP,3216	1	SA		DC36	2203-005148	C-CER,CHIP;100nF,10%,16V,X7R,TP,1	1	SA	
CEOR03	2007-000070	R-CHIP;0ohm,5%,1/10W,TP,1608	1	SA		DC37	2203-005148	C-CER,CHIP;100nF,10%,16V,X7R,TP,1	1	SA	
CEOR04	2007-000070	R-CHIP;0ohm,5%,1/10W,TP,1608	1	SA		DC38	2203-005148	C-CER,CHIP;100nF,10%,16V,X7R,TP,1	1	SA	
CEOR05	2007-000070	R-CHIP;0ohm,5%,1/10W,TP,1608	1	SA		DC39	2203-005148	C-CER,CHIP;100nF,10%,16V,X7R,TP,1	1	SA	
CEOR06	2007-000070	R-CHIP;0ohm,5%,1/10W,TP,1608	1	SA		DC4	2203-005148	C-CER,CHIP;100nF,10%,16V,X7R,TP,1	1	SA	
CER01	2007-000070	R-CHIP;0ohm,5%,1/10W,TP,1608	1	SA		DC40	2203-005148	C-CER,CHIP;100nF,10%,16V,X7R,TP,1	1	SA	
CER02	2007-000071	R-CHIP;22ohm,5%,1/10W,TP,1608	1	SA		DC41	2203-005148	C-CER,CHIP;100nF,10%,16V,X7R,TP,1	1	SA	
CER03	2007-000071	R-CHIP;22ohm,5%,1/10W,TP,1608	1	SA		DC42	2203-005148	C-CER,CHIP;100nF,10%,16V,X7R,TP,1	1	SA	
CER04	2007-000084	R-CHIP;4.7Kohm,5%,1/10W,TP,1608	1	SA		DC43	2203-005148	C-CER,CHIP;100nF,10%,16V,X7R,TP,1	1	SA	
CER05	2007-000084	R-CHIP;4.7Kohm,5%,1/10W,TP,1608	1	SA		DC44	2203-005148	C-CER,CHIP;100nF,10%,16V,X7R,TP,1	1	SA	
CER06	2007-000084	R-CHIP;4.7Kohm,5%,1/10W,TP,1608	1	SA		DC45	2203-005148	C-CER,CHIP;100nF,10%,16V,X7R,TP,1	1	SA	
CER07	2007-000074	R-CHIP;100ohm,5%,1/10W,TP,1608	1	SA		DC46	2203-005148	C-CER,CHIP;100nF,10%,16V,X7R,TP,1	1	SA	
CER09	2007-000070	R-CHIP;0ohm,5%,1/10W,TP,1608	1	SA		DC47	2203-005148	C-CER,CHIP;100nF,10%,16V,X7R,TP,1	1	SA	
CER10	2007-000071	R-CHIP;22ohm,5%,1/10W,TP,1608	1	SA		DC48	2203-005148	C-CER,CHIP;100nF,10%,16V,X7R,TP,1	1	SA	
CER11	2007-000071	R-CHIP;22ohm,5%,1/10W,TP,1608	1	SA		DC49	2203-005148	C-CER,CHIP;100nF,10%,16V,X7R,TP,1	1	SA	
CER12	2007-000084	R-CHIP;4.7Kohm,5%,1/10W,TP,1608	1	SA		DC50	2203-005148	C-CER,CHIP;100nF,10%,16V,X7R,TP,1	1	SA	
CER14	2007-000084	R-CHIP;4.7Kohm,5%,1/10W,TP,1608	1	SA		DC51	2203-005148	C-CER,CHIP;100nF,10%,16V,X7R,TP,1	1	SA	
CER17	2007-000084	R-CHIP;4.7Kohm,5%,1/10W,TP,1608	1	SA		DC6	2203-005148	C-CER,CHIP;100nF,10%,16V,X7R,TP,1	1	SA	
CER18	2007-000070	R-CHIP;0ohm,5%,1/10W,TP,1608	1	SA		DC8	2203-005148	C-CER,CHIP;100nF,10%,16V,X7R,TP,1	1	SA	
CER20	2007-000084	R-CHIP;4.7Kohm,5%,1/10W,TP,1608	1	SA		DC9	2203-005148	C-CER,CHIP;100nF,10%,16V,X7R,TP,1	1	SA	
CER21	2007-000084	R-CHIP;4.7Kohm,5%,1/10W,TP,1608	1	SA		DR1	2007-000043	R-CHIP;1Kohm,1%,1/10W,TP,1608	1	SA	
CER22	2007-000071	R-CHIP;22ohm,5%,1/10W,TP,1608	1	SA		DR10	2007-000113	R-CHIP;33ohm,5%,1/10W,TP,1608	1	SA	
CER23	2007-000071	R-CHIP;22ohm,5%,1/10W,TP,1608	1	SA		DR11	2007-000075	R-CHIP;220ohm,5%,1/10W,TP,1608	1	SA	
CER24	2007-000071	R-CHIP;22ohm,5%,1/10W,TP,1608	1	SA		DR12	2007-000075	R-CHIP;220ohm,5%,1/10W,TP,1608	1	SA	
CER36	2007-000071	R-CHIP;22ohm,5%,1/10W,TP,1608	1	SA		DR13	2007-000043	R-CHIP;1Kohm,1%,1/10W,TP,1608	1	SA	
CER38	2007-000071	R-CHIP;22ohm,5%,1/10W,TP,1608	1	SA		DR14	2007-000043	R-CHIP;1Kohm,1%,1/10W,TP,1608	1	SA	
CEVP3	1203-002178	IC-POSIFIXED REG.;1563,SOP,7P,17	1	SA		DR2	2007-000043	R-CHIP;1Kohm,1%,1/10W,TP,1608	1	SA	
CEXT1	2802-001094	RESONATOR-CERAMIC,4.0MHz,0.5%,TP,	1	SA		DR3	2007-000043	R-CHIP;1Kohm,1%,1/10W,TP,1608	1	SA	
D2504	0401-001099	DIODE-SWITCHING;1N4148WS,75V,150m	1	SA		DR4	2007-000043	R-CHIP;1Kohm,1%,1/10W,TP,1608	1	SA	
D2505	0404-001036	DIODE-SCHOTTKY;SDB30A40,40V,3000M	1	SA		DR5	2007-000113	R-CHIP;33ohm,5%,1/10W,TP,1608	1	SA	
D2506	0404-001036	DIODE-SCHOTTKY;SDB30A40,40V,3000M	1	SA		DR6	2007-000113	R-CHIP;33ohm,5%,1/10W,TP,1608	1	SA	
DC10	2203-005148	C-CER,CHIP;100nF,10%,16V,X7R,TP,1	1	SA		DR7	2007-000113	R-CHIP;33ohm,5%,1/10W,TP,1608	1	SA	
DC11	2203-005148	C-CER,CHIP;100nF,10%,16V,X7R,TP,1	1	SA		DR8	2007-000113	R-CHIP;33ohm,5%,1/10W,TP,1608	1	SA	
DC12	2203-005148	C-CER,CHIP;100nF,10%,16V,X7R,TP,1	1	SA		DR9	2007-000113	R-CHIP;33ohm,5%,1/10W,TP,1608	1	SA	
DC13	2203-005148	C-CER,CHIP;100nF,10%,16V,X7R,TP,1	1	SA		E100	2402-001042	C-AL,SMD;100uF,20%,16V,GP,TP,6.6x	1	SA	
DC14	2203-005148	C-CER,CHIP;100nF,10%,16V,X7R,TP,1	1	SA		E101	2402-001096	C-AL,SMD;220UF,20%,16V,GP,TP,6.6X	1	SA	
DC15	2203-005148	C-CER,CHIP;100nF,10%,16V,X7R,TP,1	1	SA		E2801	2402-001221	C-AL,SMD;470UF,20%,16V,-,TP,A8,3X	1	SA	
DC16	2203-005148	C-CER,CHIP;100nF,10%,16V,X7R,TP,1	1	SA							



Loc.No	Loc.No	Description : Specification	Q'ty	S.N.A	Remark	Loc.No	Loc.No	Description : Specification	Q'ty	S.N.A	Remark
E2803	2402-001221	C-AL,SMD;470UF,20%,16V,-,TP,A8.3X	1	SA		HC15	2203-005148	C-CER,CHIP;100nF,10%,16V,X7R,TP,1	1	SA	
EC1	2203-000681	C-CER,CHIP;0.027nF,5%,50V,C0G,160	1	SA		HC16	2203-005148	C-CER,CHIP;100nF,10%,16V,X7R,TP,1	1	SA	
EC10	2203-005148	C-CER,CHIP;100nF,10%,16V,X7R,TP,1	1	SA		HC17	2203-005148	C-CER,CHIP;100nF,10%,16V,X7R,TP,1	1	SA	
EC11	2203-000440	C-CER,CHIP;1nF,10%,50V,X7R,1608	1	SA		HC18	2402-000179	C-AL,SMD;47uF,20%,16V,GP,TP,6.6x6	1	SA	
EC12	2203-000440	C-CER,CHIP;1nF,10%,50V,X7R,1608	1	SA		HC19	2203-005148	C-CER,CHIP;100nF,10%,16V,X7R,TP,1	1	SA	
EC2	2203-000681	C-CER,CHIP;0.027nF,5%,50V,C0G,160	1	SA		HC20	2203-005148	C-CER,CHIP;100nF,10%,16V,X7R,TP,1	1	SA	
EC3	2203-005148	C-CER,CHIP;100nF,10%,16V,X7R,TP,1	1	SA		HC21	2203-005148	C-CER,CHIP;100nF,10%,16V,X7R,TP,1	1	SA	
EC4	2203-005148	C-CER,CHIP;100nF,10%,16V,X7R,TP,1	1	SA		HC22	2203-005065	C-CER,CHIP;1000nF,+80-20%,10V,Y5V	1	SA	
EC5	2203-005148	C-CER,CHIP;100nF,10%,16V,X7R,TP,1	1	SA		HC23	2203-005065	C-CER,CHIP;1000nF,+80-20%,10V,Y5V	1	SA	
EC6	2402-001011	C-AL,SMD;22uF,20%,16V,GP,TP,5.3x5	1	SA		HC24	2402-001042	C-AL,SMD;100uF,20%,16V,GP,TP,6.6x	1	SA	
EC7	2203-005148	C-CER,CHIP;100nF,10%,16V,X7R,TP,1	1	SA		HC25	2203-005148	C-CER,CHIP;100nF,10%,16V,X7R,TP,1	1	SA	
EC8	2203-005148	C-CER,CHIP;100nF,10%,16V,X7R,TP,1	1	SA		HC26	2203-005148	C-CER,CHIP;100nF,10%,16V,X7R,TP,1	1	SA	
EC9	2203-005148	C-CER,CHIP;100nF,10%,16V,X7R,TP,1	1	SA		HC27	2203-005148	C-CER,CHIP;100nF,10%,16V,X7R,TP,1	1	SA	
E-CON1	3722-002549	JACK-MODULAR;12P/8C,-,N,ANGLE,N,A	1	SA		HC28	2203-005065	C-CER,CHIP;1000nF,+80-20%,10V,Y5V	1	SA	
EL1	3301-000353	BEAD-SMD;120ohm,2x1.25x0.9mm,-,TP	1	SA		HC29	2203-005065	C-CER,CHIP;1000nF,+80-20%,10V,Y5V	1	SA	
EL2	3301-000353	BEAD-SMD;120ohm,2x1.25x0.9mm,-,TP	1	SA		HC30	2203-005148	C-CER,CHIP;100nF,10%,16V,X7R,TP,1	1	SA	
EQ1	0505-000110	FET-SILICON;2N7002,N,60V,115mA,7.	1	SA		HC31	2203-005148	C-CER,CHIP;100nF,10%,16V,X7R,TP,1	1	SA	
ER1	2007-000071	R-CHIP;22ohm,5%,1/10W,TP,1608	1	SA		HC32	2203-005148	C-CER,CHIP;100nF,10%,16V,X7R,TP,1	1	SA	
ER10	2007-000539	R-CHIP;200ohm,5%,1/10W,TP,1608	1	SA		HC33	2203-005148	C-CER,CHIP;100nF,10%,16V,X7R,TP,1	1	SA	
ER13	2007-000669	R-CHIP;2Kohm,1%,1/10W,TP,1608	1	SA		HC34	2203-005148	C-CER,CHIP;100nF,10%,16V,X7R,TP,1	1	SA	
ER14	2007-007226	R-CHIP;49.9ohm,1%,1/10W,TP,1608	1	SA		HC35	2203-005148	C-CER,CHIP;100nF,10%,16V,X7R,TP,1	1	SA	
ER15	2007-007226	R-CHIP;49.9ohm,1%,1/10W,TP,1608	1	SA		HC36	2402-001042	C-AL,SMD;100uF,20%,16V,GP,TP,6.6x	1	SA	
ER16	2007-007226	R-CHIP;49.9ohm,1%,1/10W,TP,1608	1	SA		HC37	2203-005148	C-CER,CHIP;100nF,10%,16V,X7R,TP,1	1	SA	
ER17	2007-007226	R-CHIP;49.9ohm,1%,1/10W,TP,1608	1	SA		HC38	2203-005148	C-CER,CHIP;100nF,10%,16V,X7R,TP,1	1	SA	
ER18	2007-000090	R-CHIP;10Kohm,5%,1/10W,TP,1608	1	SA		HC39	2203-005148	C-CER,CHIP;100nF,10%,16V,X7R,TP,1	1	SA	
ER19	2007-002899	R-CHIP;10ohm,1%,1/10W,TP,1608	1	SA		HC40	2203-005148	C-CER,CHIP;100nF,10%,16V,X7R,TP,1	1	SA	
ER2	2007-000071	R-CHIP;22ohm,5%,1/10W,TP,1608	1	SA		HC41	2203-005148	C-CER,CHIP;100nF,10%,16V,X7R,TP,1	1	SA	
ER20	2007-000070	R-CHIP;0ohm,5%,1/10W,TP,1608	1	SA		HC42	2402-001042	C-AL,SMD;100uF,20%,16V,GP,TP,6.6x	1	SA	
ER21	2007-000070	R-CHIP;0ohm,5%,1/10W,TP,1608	1	SA		HC43	2203-005148	C-CER,CHIP;100nF,10%,16V,X7R,TP,1	1	SA	
ER22	2007-000070	R-CHIP;0ohm,5%,1/10W,TP,1608	1	SA		HC45	2402-001042	C-AL,SMD;100uF,20%,16V,GP,TP,6.6x	1	SA	
ER23	2007-000070	R-CHIP;0ohm,5%,1/10W,TP,1608	1	SA		HCN1	3701-001313	CONNECTOR-HDMI;19P,2R,PLUG,ANGLE,	1	SA	
ER24	2007-000070	R-CHIP;0ohm,5%,1/10W,TP,1608	1	SA		HD1	0401-000008	DIODE-SWITCHING;DAN217,80V,100MA,	1	SA	
ER25	2007-000075	R-CHIP;220ohm,5%,1/10W,TP,1608	1	SA		HD10	0501-000341	TR-SMALL SIGNAL;KSC1623-L,NPN,200	1	SA	
ER26	2007-000075	R-CHIP;220ohm,5%,1/10W,TP,1608	1	SA		HD2	0401-000008	DIODE-SWITCHING;DAN217,80V,100MA,	1	SA	
ER3	2007-000071	R-CHIP;22ohm,5%,1/10W,TP,1608	1	SA		HIC10	1203-002577	IC-POSI.FIXED REG.;MM1561J,SOP,7P	1	SA	
ER4	2007-000071	R-CHIP;22ohm,5%,1/10W,TP,1608	1	SA		HIC2	0505-001679	FET-SILICON;FDC6301N,N,25V,0.22A,	1	SA	
ER5	2007-000122	R-CHIP;1.2Kohm,5%,1/10W,TP,1608	1	SA		HIC6	1205-003113	IC-TRANSMITTER;SIU9134CTU,TQFP,10	1	SA	
ER50	2007-000122	R-CHIP;1.2Kohm,5%,1/10W,TP,1608	1	SA		HIC7	1203-002178	IC-POSI.FIXED REG.;1563,SOP,7P,17	1	SA	
ER51	2007-000078	R-CHIP;1Kohm,5%,1/10W,TP,1608	1	SA		HQ1	0504-000129	TR-DIGITAL;KSR1104,NPN,200mA,47K/	1	SA	
ER7	2007-000078	R-CHIP;1Kohm,5%,1/10W,TP,1608	1	SA		HR1	2007-000071	R-CHIP;22ohm,5%,1/10W,TP,1608	1	SA	
ER8	2007-000070	R-CHIP;0ohm,5%,1/10W,TP,1608	1	SA		HR10	2007-002899	R-CHIP;10ohm,1%,1/10W,TP,1608	1	SA	
ER80	2007-000070	R-CHIP;0ohm,5%,1/10W,TP,1608	1	SA		HR100	2007-000070	R-CHIP;0ohm,5%,1/10W,TP,1608	1	SA	
ER9	2007-000090	R-CHIP;10Kohm,5%,1/10W,TP,1608	1	SA		HR101	2007-000070	R-CHIP;0ohm,5%,1/10W,TP,1608	1	SA	
ERN1	2011-001011	R-NET;10Kohm,5%,1/16W,L,CHIP,8P,T	1	SA		HR102	2007-000093	R-CHIP;20Kohm,5%,1/10W,TP,1608	1	SA	
ERN2	2011-001011	R-NET;10Kohm,5%,1/16W,L,CHIP,8P,T	1	SA		HR103	2007-000070	R-CHIP;0ohm,5%,1/10W,TP,1608	1	SA	
FCON1	3708-001935	CONNECTOR-FPC/FFC/PIC;40P,0.5mm,S	1	SA		HR104	2007-000070	R-CHIP;0ohm,5%,1/10W,TP,1608	1	SA	
FFR10	2007-000029	R-CHIP;0ohm,5%,1/8W,TP,2012	1	SA		HR105	2007-000070	R-CHIP;0ohm,5%,1/10W,TP,1608	1	SA	
FPCON1	3708-001845	CONNECTOR-FPC/FFC/PIC;23P,1.25mm,	1	SA		HR106	2007-000070	R-CHIP;0ohm,5%,1/10W,TP,1608	1	SA	
GR2	2007-000070	R-CHIP;0ohm,5%,1/10W,TP,1608	1	SA		HR107	2007-000070	R-CHIP;0ohm,5%,1/10W,TP,1608	1	SA	
HC10	2203-005148	C-CER,CHIP;100nF,10%,16V,X7R,TP,1	1	SA		HR108	2007-000070	R-CHIP;0ohm,5%,1/10W,TP,1608	1	SA	
HC11	2203-005148	C-CER,CHIP;100nF,10%,16V,X7R,TP,1	1	SA		HR11	2007-007852	R-CHIP;140ohm,1%,1/10W,TP,1608	1	SA	
HC111	2203-005148	C-CER,CHIP;100nF,10%,16V,X7R,TP,1	1	SA		HR12	2007-000591	R-CHIP;22ohm,1%,1/10W,TP,1608	1	SA	
HC112	2402-000179	C-AL,SMD;47uF,20%,16V,GP,TP,6.6x6	1	SA		HR18	2007-000084	R-CHIP;4.7Kohm,5%,1/10W,TP,1608	1	SA	
HC113	2203-005148	C-CER,CHIP;100nF,10%,16V,X7R,TP,1	1	SA		HR19	2007-000084	R-CHIP;4.7Kohm,5%,1/10W,TP,1608	1	SA	
HC114	2203-005148	C-CER,CHIP;100nF,10%,16V,X7R,TP,1	1	SA		HR2	2007-000071	R-CHIP;22ohm,5%,1/10W,TP,1608	1	SA	
HC117	2203-005148	C-CER,CHIP;100nF,10%,16V,X7R,TP,1	1	SA		HR21	2007-000074	R-CHIP;100ohm,5%,1/10W,TP,1608	1	SA	
HC12	2203-005148	C-CER,CHIP;100nF,10%,16V,X7R,TP,1	1	SA		HR22	2007-000033	R-CHIP;0ohm,5%,1/4W,TP,3216	1	SA	
HC13	2203-005148	C-CER,CHIP;100nF,10%,16V,X7R,TP,1	1	SA		HR23	2007-000070	R-CHIP;0ohm,5%,1/10W,TP,1608	1	SA	
HC14	2402-000179	C-AL,SMD;47uF,20%,16V,GP,TP,6.6x6	1	SA		HR24	2007-000070	R-CHIP;0ohm,5%,1/10W,TP,1608	1	SA	

Exploded Views and Parts List

Loc.No	Loc.No	Description : Specification	Q'ty	S.N.A	Remark	Loc.No	Loc.No	Description : Specification	Q'ty	S.N.A	Remark
HR25	2007-000070	R-CHIP;0ohm,5%,1/10W,TP,1608	1	SA		L2804	3301-001202	BEAD-SMD;120ohm,4532,TP,167ohm/26	1	SA	
HR26	2007-000070	R-CHIP;0ohm,5%,1/10W,TP,1608	1	SA		L2809	3301-001202	BEAD-SMD;120ohm,4532,TP,167ohm/26	1	SA	
HR3	2007-000640	R-CHIP;270ohm,1%,1/10W,TP,1608	1	SA		L2810	3301-001202	BEAD-SMD;120ohm,4532,TP,167ohm/26	1	SA	
HR30	2007-000084	R-CHIP;4.7Kohm,5%,1/10W,TP,1608	1	SA		MC1	2203-005148	C-CER,CHIP;100nF,10%,16V,X7R,TP,1	1	SA	
HR301	2007-000070	R-CHIP;0ohm,5%,1/10W,TP,1608	1	SA		MC10	2203-005148	C-CER,CHIP;100nF,10%,16V,X7R,TP,1	1	SA	
HR302	2007-000084	R-CHIP;4.7Kohm,5%,1/10W,TP,1608	1	SA		MC11	2203-005148	C-CER,CHIP;100nF,10%,16V,X7R,TP,1	1	SA	
HR31	2007-000084	R-CHIP;4.7Kohm,5%,1/10W,TP,1608	1	SA		MC12	2203-005148	C-CER,CHIP;100nF,10%,16V,X7R,TP,1	1	SA	
HR37	2007-008107	R-CHIP;698ohm,1%,1/10W,TP,1608	1	SA		MC13	2203-005148	C-CER,CHIP;100nF,10%,16V,X7R,TP,1	1	SA	
HR38	2007-000033	R-CHIP;0ohm,5%,1/4W,TP,3216	1	SA		MC14	2203-005148	C-CER,CHIP;100nF,10%,16V,X7R,TP,1	1	SA	
HR39	2007-000070	R-CHIP;0ohm,5%,1/10W,TP,1608	1	SA		MC15	2203-005148	C-CER,CHIP;100nF,10%,16V,X7R,TP,1	1	SA	
HR4	2007-007852	R-CHIP;140ohm,1%,1/10W,TP,1608	1	SA		MC16	2203-005148	C-CER,CHIP;100nF,10%,16V,X7R,TP,1	1	SA	
HR40	2007-000070	R-CHIP;0ohm,5%,1/10W,TP,1608	1	SA		MC17	2203-005148	C-CER,CHIP;100nF,10%,16V,X7R,TP,1	1	SA	
HR41	2007-000033	R-CHIP;0ohm,5%,1/4W,TP,3216	1	SA		MC18	2203-005148	C-CER,CHIP;100nF,10%,16V,X7R,TP,1	1	SA	
HR42	2007-000070	R-CHIP;0ohm,5%,1/10W,TP,1608	1	SA		MC19	2203-005148	C-CER,CHIP;100nF,10%,16V,X7R,TP,1	1	SA	
HR43	2007-000033	R-CHIP;0ohm,5%,1/4W,TP,3216	1	SA		MC2	2203-005148	C-CER,CHIP;100nF,10%,16V,X7R,TP,1	1	SA	
HR45	2007-000078	R-CHIP;1Kohm,5%,1/10W,TP,1608	1	SA		MC20	2203-005148	C-CER,CHIP;100nF,10%,16V,X7R,TP,1	1	SA	
HR46	2007-000081	R-CHIP;2.7Kohm,5%,1/10W,TP,1608	1	SA		MC21	2203-005148	C-CER,CHIP;100nF,10%,16V,X7R,TP,1	1	SA	
HR5	2007-002899	R-CHIP;10ohm,1%,1/10W,TP,1608	1	SA		MC22	2203-005148	C-CER,CHIP;100nF,10%,16V,X7R,TP,1	1	SA	
HR6	2007-000591	R-CHIP;22ohm,1%,1/10W,TP,1608	1	SA		MC23	2203-005148	C-CER,CHIP;100nF,10%,16V,X7R,TP,1	1	SA	
HR7	2007-000071	R-CHIP;22ohm,5%,1/10W,TP,1608	1	SA		MC24	2203-005148	C-CER,CHIP;100nF,10%,16V,X7R,TP,1	1	SA	
HR8	2703-000166	INDUCTOR-SMD;2.7uH,5%,3225	1	SA		MC25	2203-005148	C-CER,CHIP;100nF,10%,16V,X7R,TP,1	1	SA	
HR9	2007-000640	R-CHIP;270ohm,1%,1/10W,TP,1608	1	SA		MC26	2203-005148	C-CER,CHIP;100nF,10%,16V,X7R,TP,1	1	SA	
HRN1	2011-001261	R-NETWORK;33ohm,5%,1/16W,L,CHIP,8	1	SA		MC27	2203-005148	C-CER,CHIP;100nF,10%,16V,X7R,TP,1	1	SA	
HRN11	2011-001261	R-NETWORK;33ohm,5%,1/16W,L,CHIP,8	1	SA		MC28	2203-005148	C-CER,CHIP;100nF,10%,16V,X7R,TP,1	1	SA	
HRN12	2011-001261	R-NETWORK;33ohm,5%,1/16W,L,CHIP,8	1	SA		MC29	2203-005148	C-CER,CHIP;100nF,10%,16V,X7R,TP,1	1	SA	
HRN2	2011-001261	R-NETWORK;33ohm,5%,1/16W,L,CHIP,8	1	SA		MC3	2203-005148	C-CER,CHIP;100nF,10%,16V,X7R,TP,1	1	SA	
HRN3	2011-001261	R-NETWORK;33ohm,5%,1/16W,L,CHIP,8	1	SA		MC30	2203-005148	C-CER,CHIP;100nF,10%,16V,X7R,TP,1	1	SA	
HRN4	2011-001261	R-NETWORK;33ohm,5%,1/16W,L,CHIP,8	1	SA		MC31	2203-005148	C-CER,CHIP;100nF,10%,16V,X7R,TP,1	1	SA	
HRN5	2011-001261	R-NETWORK;33ohm,5%,1/16W,L,CHIP,8	1	SA		MC32	2203-005148	C-CER,CHIP;100nF,10%,16V,X7R,TP,1	1	SA	
HRN6	2011-001261	R-NETWORK;33ohm,5%,1/16W,L,CHIP,8	1	SA		MC33	2203-005148	C-CER,CHIP;100nF,10%,16V,X7R,TP,1	1	SA	
HZD1	1405-001192	VARIATOR;12Vdc,30A,1.6x0.8x0.55mm	1	SA		MC34	2203-005148	C-CER,CHIP;100nF,10%,16V,X7R,TP,1	1	SA	
HZD2	1405-001192	VARIATOR;12Vdc,30A,1.6x0.8x0.55mm	1	SA		MC35	2203-005148	C-CER,CHIP;100nF,10%,16V,X7R,TP,1	1	SA	
HZD3	1405-001192	VARIATOR;12Vdc,30A,1.6x0.8x0.55mm	1	SA		MC36	2203-005148	C-CER,CHIP;100nF,10%,16V,X7R,TP,1	1	SA	
HZD4	1405-001192	VARIATOR;12Vdc,30A,1.6x0.8x0.55mm	1	SA		MC37	2203-005148	C-CER,CHIP;100nF,10%,16V,X7R,TP,1	1	SA	
HZD5	1405-001192	VARIATOR;12Vdc,30A,1.6x0.8x0.55mm	1	SA		MC38	2203-005148	C-CER,CHIP;100nF,10%,16V,X7R,TP,1	1	SA	
HZD6	1405-001192	VARIATOR;12Vdc,30A,1.6x0.8x0.55mm	1	SA		MC39	2203-005148	C-CER,CHIP;100nF,10%,16V,X7R,TP,1	1	SA	
HZD7	1405-001192	VARIATOR;12Vdc,30A,1.6x0.8x0.55mm	1	SA		MC4	2203-005148	C-CER,CHIP;100nF,10%,16V,X7R,TP,1	1	SA	
HZD8	1405-001192	VARIATOR;12Vdc,30A,1.6x0.8x0.55mm	1	SA		MC40	2203-005148	C-CER,CHIP;100nF,10%,16V,X7R,TP,1	1	SA	
IC1	0801-002611	IC-CMOS LOGIC;7SZ157,2-INPUT MULT	1	SA		MC41	2203-000189	C-CER,CHIP;100nF,+80-20%,25V,Y5V,	1	SA	
IDR23	2007-000116	R-CHIP;120ohm,5%,1/10W,TP,1608	1	SA		MC42	2203-000189	C-CER,CHIP;100nF,+80-20%,25V,Y5V,	1	SA	
IDR310	2007-000090	R-CHIP;10Kohm,5%,1/10W,TP,1608	1	SA		MC44	2203-005148	C-CER,CHIP;100nF,10%,16V,X7R,TP,1	1	SA	
IDR41	2007-000113	R-CHIP;33ohm,5%,1/10W,TP,1608	1	SA		MC45	2203-000257	C-CER,CHIP;10nF,10%,50V,X7R,1608	1	SA	
IDR43	2007-000070	R-CHIP;0ohm,5%,1/10W,TP,1608	1	SA		MC46	2203-000257	C-CER,CHIP;10nF,10%,50V,X7R,1608	1	SA	
IDR55	2007-000113	R-CHIP;33ohm,5%,1/10W,TP,1608	1	SA		MC47	2203-000257	C-CER,CHIP;10nF,10%,50V,X7R,1608	1	SA	
IDR56	2007-000070	R-CHIP;0ohm,5%,1/10W,TP,1608	1	SA		MC48	2203-000257	C-CER,CHIP;10nF,10%,50V,X7R,1608	1	SA	
IDRN24	2011-001261	R-NETWORK;33ohm,5%,1/16W,L,CHIP,8	1	SA		MC5	2203-005148	C-CER,CHIP;100nF,10%,16V,X7R,TP,1	1	SA	
IDRN25	2011-001261	R-NETWORK;33ohm,5%,1/16W,L,CHIP,8	1	SA		MC50	2203-000257	C-CER,CHIP;10nF,10%,50V,X7R,1608	1	SA	
IDRN26	2011-001261	R-NETWORK;33ohm,5%,1/16W,L,CHIP,8	1	SA		MC53	2203-005148	C-CER,CHIP;100nF,10%,16V,X7R,TP,1	1	SA	
IDRN27	2011-001261	R-NETWORK;33ohm,5%,1/16W,L,CHIP,8	1	SA		MC6	2203-005148	C-CER,CHIP;100nF,10%,16V,X7R,TP,1	1	SA	
IDRN28	2011-001261	R-NETWORK;33ohm,5%,1/16W,L,CHIP,8	1	SA		MC7	2203-005148	C-CER,CHIP;100nF,10%,16V,X7R,TP,1	1	SA	
IDRN29	2011-001261	R-NETWORK;33ohm,5%,1/16W,L,CHIP,8	1	SA		MC8	2203-005148	C-CER,CHIP;100nF,10%,16V,X7R,TP,1	1	SA	
IDRN30	2011-001261	R-NETWORK;33ohm,5%,1/16W,L,CHIP,8	1	SA		MC9	2203-005148	C-CER,CHIP;100nF,10%,16V,X7R,TP,1	1	SA	
J1601	3722-002467	JACK-PIN;3P,Au,GNV/BU/RD,ANGLE	1	SA		MER1	2007-000070	R-CHIP;0ohm,5%,1/10W,TP,1608	1	SA	
J1602	3722-002468	JACK-PIN;1P+VHS,Au,YEL,ANGLE	1	SA		MER2	2007-000033	R-CHIP;0ohm,5%,1/4W,TP,3216	1	SA	
J2801	3711-003240	HEADER-BOARD TO CABLE;BOX,15P,1R,	1	SA		MIC1	0903-001506	IC-MICROCONTROLLER;SMP8634C-LF,BG	1	SA	
JRN1	2011-000660	R-NETWORK;1Kohm,5%,1/16W,L,CHIP,8	1	SA		MIC2	1105-001803	IC-DRAM;K4H510838,DDR,512Mbit,64M	1	SA	
JRN2	2011-001011	R-NET;10Kohm,5%,1/16W,L,CHIP,8P,T	1	SA		MIC3	1105-001803	IC-DRAM;K4H510838,DDR,512Mbit,64M	1	SA	
JRN3	2011-001011	R-NET;10Kohm,5%,1/16W,L,CHIP,8P,T	1	SA		MIC4	1105-001803	IC-DRAM;K4H510838,DDR,512Mbit,64M	1	SA	
L2801	3301-001202	BEAD-SMD;120ohm,4532,TP,167ohm/26	1	SA		MIC5	1105-001803	IC-DRAM;K4H510838,DDR,512Mbit,64M	1	SA	



Loc.No	Loc.No	Description : Specification	Q'ty	S.N.A	Remark	Loc.No	Loc.No	Description : Specification	Q'ty	S.N.A	Remark
MIC6	1105-001823	IC-DRAM;HYB25DC512160,DDR,512Mbit	1	SA							
MIC9	1105-001823	IC-DRAM;HYB25DC512160,DDR,512Mbit	1	SA		NR14	2007-000090	R-CHIP;10Kohm,5%,1/10W,TP,1608	1	SA	
ML1	3301-000353	BEAD-SMD;120ohm,2x1.25x0.9mm,-,TP	1	SA		NR15	2007-000090	R-CHIP;10Kohm,5%,1/10W,TP,1608	1	SA	
ML2	3301-000353	BEAD-SMD;120ohm,2x1.25x0.9mm,-,TP	1	SA		NR16	2007-000090	R-CHIP;10Kohm,5%,1/10W,TP,1608	1	SA	
MR1	2007-000029	R-CHIP;0ohm,5%,1/8W,TP,2012	1	SA		NR17	2007-000090	R-CHIP;10Kohm,5%,1/10W,TP,1608	1	SA	
						NR18	2007-000090	R-CHIP;10Kohm,5%,1/10W,TP,1608	1	SA	
MRN1	2011-001261	R-NETWORK;33ohm,5%,1/16W,L,CHIP,8	1	SA							
MRN10	2011-001261	R-NETWORK;33ohm,5%,1/16W,L,CHIP,8	1	SA		NR19	2007-000090	R-CHIP;10Kohm,5%,1/10W,TP,1608	1	SA	
MRN11	2011-001261	R-NETWORK;33ohm,5%,1/16W,L,CHIP,8	1	SA		NR2	2007-000090	R-CHIP;10Kohm,5%,1/10W,TP,1608	1	SA	
MRN12	2011-001261	R-NETWORK;33ohm,5%,1/16W,L,CHIP,8	1	SA		NR20	2007-000090	R-CHIP;10Kohm,5%,1/10W,TP,1608	1	SA	
MRN13	2011-001261	R-NETWORK;33ohm,5%,1/16W,L,CHIP,8	1	SA		NR21	2007-000090	R-CHIP;10Kohm,5%,1/10W,TP,1608	1	SA	
						NR22	2007-000090	R-CHIP;10Kohm,5%,1/10W,TP,1608	1	SA	
MRN14	2011-001261	R-NETWORK;33ohm,5%,1/16W,L,CHIP,8	1	SA							
MRN15	2011-001261	R-NETWORK;33ohm,5%,1/16W,L,CHIP,8	1	SA		NR23	2007-000090	R-CHIP;10Kohm,5%,1/10W,TP,1608	1	SA	
MRN16	2011-001261	R-NETWORK;33ohm,5%,1/16W,L,CHIP,8	1	SA		NR24	2007-000090	R-CHIP;10Kohm,5%,1/10W,TP,1608	1	SA	
MRN17	2011-001261	R-NETWORK;33ohm,5%,1/16W,L,CHIP,8	1	SA		NR25	2007-000090	R-CHIP;10Kohm,5%,1/10W,TP,1608	1	SA	
MRN18	2011-001261	R-NETWORK;33ohm,5%,1/16W,L,CHIP,8	1	SA		NR26	2007-000090	R-CHIP;10Kohm,5%,1/10W,TP,1608	1	SA	
						NR27	2007-000090	R-CHIP;10Kohm,5%,1/10W,TP,1608	1	SA	
MRN19	2011-001261	R-NETWORK;33ohm,5%,1/16W,L,CHIP,8	1	SA							
MRN2	2011-001261	R-NETWORK;33ohm,5%,1/16W,L,CHIP,8	1	SA		NR3	2007-000090	R-CHIP;10Kohm,5%,1/10W,TP,1608	1	SA	
MRN20	2011-001261	R-NETWORK;33ohm,5%,1/16W,L,CHIP,8	1	SA		NR4	2007-000090	R-CHIP;10Kohm,5%,1/10W,TP,1608	1	SA	
MRN21	2011-001261	R-NETWORK;33ohm,5%,1/16W,L,CHIP,8	1	SA		NR5	2007-000090	R-CHIP;10Kohm,5%,1/10W,TP,1608	1	SA	
MRN22	2011-001261	R-NETWORK;33ohm,5%,1/16W,L,CHIP,8	1	SA		NR6	2007-000090	R-CHIP;10Kohm,5%,1/10W,TP,1608	1	SA	
						NR7	2007-000090	R-CHIP;10Kohm,5%,1/10W,TP,1608	1	SA	
MRN23	2011-001261	R-NETWORK;33ohm,5%,1/16W,L,CHIP,8	1	SA							
MRN24	2011-001261	R-NETWORK;33ohm,5%,1/16W,L,CHIP,8	1	SA		NR77	2007-000090	R-CHIP;10Kohm,5%,1/10W,TP,1608	1	SA	
MRN25	2011-001261	R-NETWORK;33ohm,5%,1/16W,L,CHIP,8	1	SA		NR8	2007-000090	R-CHIP;10Kohm,5%,1/10W,TP,1608	1	SA	
MRN26	2011-001261	R-NETWORK;33ohm,5%,1/16W,L,CHIP,8	1	SA		NR9	2007-000090	R-CHIP;10Kohm,5%,1/10W,TP,1608	1	SA	
MRN27	2011-001261	R-NETWORK;33ohm,5%,1/16W,L,CHIP,8	1	SA		PC10	2203-005148	C-CER,CHIP;100nF,10%,16V,X7R,TP,1	1	SA	
						PC11	2203-000257	C-CER,CHIP;10nF,10%,50V,X7R,1608	1	SA	
MRN28	2011-001261	R-NETWORK;33ohm,5%,1/16W,L,CHIP,8	1	SA							
MRN29	2011-001261	R-NETWORK;33ohm,5%,1/16W,L,CHIP,8	1	SA		PC12	2203-000257	C-CER,CHIP;10nF,10%,50V,X7R,1608	1	SA	
MRN3	2011-001261	R-NETWORK;33ohm,5%,1/16W,L,CHIP,8	1	SA		PC13	2203-000257	C-CER,CHIP;10nF,10%,50V,X7R,1608	1	SA	
MRN30	2011-001261	R-NETWORK;33ohm,5%,1/16W,L,CHIP,8	1	SA		PC14	2203-001587	C-CER,CHIP;18nF,10%,50V,X7R,1608	1	SA	
MRN31	2011-001346	R-NET;68ohm,5%,1/16W,L,CHIP,8P,TP	1	SA		PC141	2203-001587	C-CER,CHIP;18nF,10%,50V,X7R,1608	1	SA	
						PC15	2203-000189	C-CER,CHIP;100nF,+80-20%,25V,Y5V,	1	SA	
MRN32	2011-001346	R-NET;68ohm,5%,1/16W,L,CHIP,8P,TP	1	SA							
MRN33	2011-001346	R-NET;68ohm,5%,1/16W,L,CHIP,8P,TP	1	SA		PC17	2203-006361	C-CER,CHIP;10000nF,10%,10V,X5R,20	1	SA	
MRN34	2011-001346	R-NET;68ohm,5%,1/16W,L,CHIP,8P,TP	1	SA		PC171	2203-006361	C-CER,CHIP;10000nF,10%,10V,X5R,20	1	SA	
MRN35	2011-001346	R-NET;68ohm,5%,1/16W,L,CHIP,8P,TP	1	SA		PC18	2203-001724	C-CER,CHIP;4700nF,+80-20%,16V,Y5V	1	SA	
MRN36	2011-001346	R-NET;68ohm,5%,1/16W,L,CHIP,8P,TP	1	SA		PC19	2203-001724	C-CER,CHIP;4700nF,+80-20%,16V,Y5V	1	SA	
						PC20	2203-001724	C-CER,CHIP;4700nF,+80-20%,16V,Y5V	1	SA	
MRN37	2011-001346	R-NET;68ohm,5%,1/16W,L,CHIP,8P,TP	1	SA							
MRN38	2011-001346	R-NET;68ohm,5%,1/16W,L,CHIP,8P,TP	1	SA		PC21	2203-001724	C-CER,CHIP;4700nF,+80-20%,16V,Y5V	1	SA	
MRN39	2011-001346	R-NET;68ohm,5%,1/16W,L,CHIP,8P,TP	1	SA		PC30	2203-000189	C-CER,CHIP;100nF,+80-20%,25V,Y5V,	1	SA	
MRN4	2011-001261	R-NETWORK;33ohm,5%,1/16W,L,CHIP,8	1	SA		PC4	2203-006361	C-CER,CHIP;10000nF,10%,10V,X5R,20	1	SA	
MRN40	2011-001346	R-NET;68ohm,5%,1/16W,L,CHIP,8P,TP	1	SA		PC41	2203-006361	C-CER,CHIP;10000nF,10%,10V,X5R,20	1	SA	
						PC6	2203-000560	C-CER,CHIP;220nF,+80-20%,25V,Y5V,	1	SA	
MRN41	2011-001346	R-NET;68ohm,5%,1/16W,L,CHIP,8P,TP	1	SA							
MRN42	2011-001346	R-NET;68ohm,5%,1/16W,L,CHIP,8P,TP	1	SA		PC61	2203-000560	C-CER,CHIP;220nF,+80-20%,25V,Y5V,	1	SA	
MRN43	2011-001346	R-NET;68ohm,5%,1/16W,L,CHIP,8P,TP	1	SA		PC7	2203-002398	C-CER,CHIP;22nF,10%,50V,X7R,1608	1	SA	
MRN44	2011-001346	R-NET;68ohm,5%,1/16W,L,CHIP,8P,TP	1	SA		PC71	2203-002398	C-CER,CHIP;22nF,10%,50V,X7R,1608	1	SA	
MRN45	2011-001346	R-NET;68ohm,5%,1/16W,L,CHIP,8P,TP	1	SA		PC8	2203-001052	C-CER,CHIP;0.56nF,10%,50V,X7R,TP,	1	SA	
						PC81	2203-001052	C-CER,CHIP;0.56nF,10%,50V,X7R,TP,	1	SA	
MRN46	2011-001346	R-NET;68ohm,5%,1/16W,L,CHIP,8P,TP	1	SA							
MRN47	2011-001346	R-NET;68ohm,5%,1/16W,L,CHIP,8P,TP	1	SA		PC9	2203-005148	C-CER,CHIP;100nF,10%,16V,X7R,TP,1	1	SA	
MRN48	2011-001346	R-NET;68ohm,5%,1/16W,L,CHIP,8P,TP	1	SA		PC11	1205-002824	IC-TRANSCEIVER,RTL8201CP-VD,LQFP,	1	SA	
MRN49	2011-001346	R-NET;68ohm,5%,1/16W,L,CHIP,8P,TP	1	SA		PC111	1203-004268	IC-DC/DC CONVERTER,SC4521SETRT,SO	1	SA	
MRN5	2011-001261	R-NETWORK;33ohm,5%,1/16W,L,CHIP,8	1	SA		PD504	0401-001099	DIODE-SWITCHING;1N4148WS,75V,150m	1	SA	
						PD505	0404-001036	DIODE-SCHOTTKY;SDB30A40,40V,3000M	1	SA	
MRN50	2011-001346	R-NET;68ohm,5%,1/16W,L,CHIP,8P,TP	1	SA							
MRN6	2011-001261	R-NETWORK;33ohm,5%,1/16W,L,CHIP,8	1	SA		PE1	2402-000179	C-AL,SMD;47uF,20%,16V,GP,TP,6.6x6	1	SA	
MRN7	2011-001261	R-NETWORK;33ohm,5%,1/16W,L,CHIP,8	1	SA		PE10	2402-001042	C-AL,SMD;100uF,20%,16V,GP,TP,6.6x	1	SA	
MRN8	2011-001261	R-NETWORK;33ohm,5%,1/16W,L,CHIP,8	1	SA		PE2	2402-001087	C-AL,SMD;47uF,20%,25V,GP,TP,6.6x6	1	SA	
MRN9	2011-001261	R-NETWORK;33ohm,5%,1/16W,L,CHIP,8	1	SA		PE3	2402-001096	C-AL,SMD;220UF,20%,16V,GP,TP,6.6X	1	SA	
						PE4	2402-001096	C-AL,SMD;220UF,20%,16V,GP,TP,6.6X	1	SA	
NR1	2007-000090	R-CHIP;10Kohm,5%,1/10W,TP,1608	1	SA							
NR10	2007-000090	R-CHIP;10Kohm,5%,1/10W,TP,1608	1	SA		PE6	2402-001042	C-AL,SMD;100uF,20%,16V,GP,TP,6.6x	1	SA	
NR11	2007-000090	R-CHIP;10Kohm,5%,1/10W,TP,1608	1	SA		PE81	2402-001221	C-AL,SMD;470UF,20%,16V,-,TP,A8.3X	1	SA	
NR12	2007-000090	R-CHIP;10Kohm,5%,1/10W,TP,1608	1	SA		PE82	2402-001221	C-AL,SMD;470UF,20%,16V,-,TP,A8.3X	1	SA	
NR13	2007-000090	R-CHIP;10Kohm,5%,1/10W,TP,1608	1	SA		PIC1	1107-001595	IC-FLASH MEMORY;S29GL512N,512Mbit	1	SA	

Exploded Views and Parts List

Loc.No	Loc.No	Description : Specification	Q'ty	S.N.A	Remark	Loc.No	Loc.No	Description : Specification	Q'ty	S.N.A	Remark
PIC3	1203-001697	IC-POSI.FIXED REG.;78R08,TO-220,4	1	SA		R937	2007-000070	R-CHIP;0ohm,5%,1/10W,TP,1608	1	SA	
PIC4	1203-000122	IC-NEGA.FIXED REG.;7908,TO-220,3P	1	SA		R938	2007-000084	R-CHIP;4.7Kohm,5%,1/10W,TP,1608	1	SA	
PIC5	1203-003180	IC-POSI.FIXED REG.;MM1565,SOP,7P,	1	SA		R939	2007-000070	R-CHIP;0ohm,5%,1/10W,TP,1608	1	SA	
PIC77	1203-004268	IC-DC/DC CONVERTER;SC4521SETRT,SO	1	SA		R940	2007-000070	R-CHIP;0ohm,5%,1/10W,TP,1608	1	SA	
PL2	2703-003248	INDUCTOR-SMD;8.2uH,20%,7272	1	SA		R941	2007-000070	R-CHIP;0ohm,5%,1/10W,TP,1608	1	SA	
PL21	2703-003248	INDUCTOR-SMD;8.2uH,20%,7272	1	SA		R947	2007-000070	R-CHIP;0ohm,5%,1/10W,TP,1608	1	SA	
PL2826	3301-001202	BEAD-SMD;120ohm,4532,TP,167ohm/26	1	SA		R948	2007-000033	R-CHIP;0ohm,5%,1/4W,TP,3216	1	SA	
PL834	3301-001202	BEAD-SMD;120ohm,4532,TP,167ohm/26	1	SA		RRN1	2011-001011	R-NET;10Kohm,5%,1/16W,L,CHIP,8P,T	1	SA	
PR1	2007-000070	R-CHIP;0ohm,5%,1/10W,TP,1608	1	SA		SC175	2203-000189	C-CER,CHIP;100nF,+80-20%,25V,Y5V,	1	SA	
PR12	2007-000070	R-CHIP;0ohm,5%,1/10W,TP,1608	1	SA		TR60	2007-000070	R-CHIP;0ohm,5%,1/10W,TP,1608	1	SA	
PR19	2007-000070	R-CHIP;0ohm,5%,1/10W,TP,1608	1	SA		TR61	2007-000070	R-CHIP;0ohm,5%,1/10W,TP,1608	1	SA	
PR191	2007-000070	R-CHIP;0ohm,5%,1/10W,TP,1608	1	SA		U2504	0801-002522	IC-CMOS LOGIC;74VHC541,BUFFER/LIN	1	SA	
PR2	2007-000070	R-CHIP;0ohm,5%,1/10W,TP,1608	1	SA		U2505	0801-002522	IC-CMOS LOGIC;74VHC541,BUFFER/LIN	1	SA	
PR3	2007-000070	R-CHIP;0ohm,5%,1/10W,TP,1608	1	SA		U7	1203-003806	IC-POSI.ADJUST REG.;KIA78R000,DPA	1	SA	
PR31	2007-000208	R-CHIP;1.1Kohm,1%,1/10W,TP,1608	1	SA		UC1	2203-000332	C-CER,CHIP;0.012nF,5%,50V,COG,160	1	SA	
PR4	2007-000265	R-CHIP;1.8Kohm,1%,1/10W,TP,1608	1	SA		UC2	2203-000332	C-CER,CHIP;0.012nF,5%,50V,COG,160	1	SA	
PR5	2007-002987	R-CHIP;4.75Kohm,1%,1/10W,TP,1608	1	SA		UIC7	1103-001398	IC-EEPROM;24C02,2Kbit,256Kx8,SOIC	1	SA	
PR51	2007-002987	R-CHIP;4.75Kohm,1%,1/10W,TP,1608	1	SA		UR1	2007-000475	R-CHIP;1Mohm,1%,1/10W,TP,1608	1	SA	
PR6	2007-000583	R-CHIP;22Kohm,1%,1/10W,TP,1608	1	SA		UR10	2007-000090	R-CHIP;10Kohm,5%,1/10W,TP,1608	1	SA	
PR61	2007-000962	R-CHIP;5.1Kohm,1%,1/10W,TP,1608	1	SA		UR101	2007-000074	R-CHIP;100ohm,5%,1/10W,TP,1608	1	SA	
PR7	2007-000052	R-CHIP;10Kohm,1%,1/10W,TP,1608	1	SA		UR102	2007-000090	R-CHIP;10Kohm,5%,1/10W,TP,1608	1	SA	
PR71	2007-000052	R-CHIP;10Kohm,1%,1/10W,TP,1608	1	SA		UR11	2007-000090	R-CHIP;10Kohm,5%,1/10W,TP,1608	1	SA	
PR9	2007-000084	R-CHIP;4.7Kohm,5%,1/10W,TP,1608	1	SA		UR12	2007-000090	R-CHIP;10Kohm,5%,1/10W,TP,1608	1	SA	
PRN7	2011-001011	R-NET;10Kohm,5%,1/16W,L,CHIP,8P,T	1	SA		UR13	2007-000090	R-CHIP;10Kohm,5%,1/10W,TP,1608	1	SA	
PU2805	1203-003038	IC-POSI.ADJUST REG.;LP2995,SO,8P,	1	SA		UR14	2007-000070	R-CHIP;0ohm,5%,1/10W,TP,1608	1	SA	
R10	2007-001134	R-CHIP;68ohm,5%,1/10W,TP,1608	1	SA		UR15	2007-000070	R-CHIP;0ohm,5%,1/10W,TP,1608	1	SA	
R11	2007-001134	R-CHIP;68ohm,5%,1/10W,TP,1608	1	SA		UR16	2007-000070	R-CHIP;0ohm,5%,1/10W,TP,1608	1	SA	
R12	2007-001134	R-CHIP;68ohm,5%,1/10W,TP,1608	1	SA		UR17	2007-000070	R-CHIP;0ohm,5%,1/10W,TP,1608	1	SA	
R13	2007-001134	R-CHIP;68ohm,5%,1/10W,TP,1608	1	SA		UR18	2007-000070	R-CHIP;0ohm,5%,1/10W,TP,1608	1	SA	
R16	2007-001134	R-CHIP;68ohm,5%,1/10W,TP,1608	1	SA		UR19	2007-000070	R-CHIP;0ohm,5%,1/10W,TP,1608	1	SA	
R17	2007-001134	R-CHIP;68ohm,5%,1/10W,TP,1608	1	SA		UR20	2007-000070	R-CHIP;0ohm,5%,1/10W,TP,1608	1	SA	
R21	2007-000074	R-CHIP;100ohm,5%,1/10W,TP,1608	1	SA		UR21	2007-000070	R-CHIP;0ohm,5%,1/10W,TP,1608	1	SA	
R30	2007-000070	R-CHIP;0ohm,5%,1/10W,TP,1608	1	SA		UR222	2007-000071	R-CHIP;22ohm,5%,1/10W,TP,1608	1	SA	
R31	2007-000070	R-CHIP;0ohm,5%,1/10W,TP,1608	1	SA		UR3	2007-000090	R-CHIP;10Kohm,5%,1/10W,TP,1608	1	SA	
R32	2007-000070	R-CHIP;0ohm,5%,1/10W,TP,1608	1	SA		UR5	2007-000090	R-CHIP;10Kohm,5%,1/10W,TP,1608	1	SA	
R351	2007-000070	R-CHIP;0ohm,5%,1/10W,TP,1608	1	SA		UR6	2007-000090	R-CHIP;10Kohm,5%,1/10W,TP,1608	1	SA	
R478	2007-000084	R-CHIP;4.7Kohm,5%,1/10W,TP,1608	1	SA		UR62	2007-000070	R-CHIP;0ohm,5%,1/10W,TP,1608	1	SA	
R498	2007-000070	R-CHIP;0ohm,5%,1/10W,TP,1608	1	SA		UR63	2007-000070	R-CHIP;0ohm,5%,1/10W,TP,1608	1	SA	
R499	2007-000070	R-CHIP;0ohm,5%,1/10W,TP,1608	1	SA		UR7	2007-000090	R-CHIP;10Kohm,5%,1/10W,TP,1608	1	SA	
R500	2007-000070	R-CHIP;0ohm,5%,1/10W,TP,1608	1	SA		UR70	2007-000070	R-CHIP;0ohm,5%,1/10W,TP,1608	1	SA	
R503	2007-000070	R-CHIP;0ohm,5%,1/10W,TP,1608	1	SA		UR71	2007-000070	R-CHIP;0ohm,5%,1/10W,TP,1608	1	SA	
R526	2007-000090	R-CHIP;10Kohm,5%,1/10W,TP,1608	1	SA		UR8	2007-000090	R-CHIP;10Kohm,5%,1/10W,TP,1608	1	SA	
R527	2007-000090	R-CHIP;10Kohm,5%,1/10W,TP,1608	1	SA		UR9	2007-000090	R-CHIP;10Kohm,5%,1/10W,TP,1608	1	SA	
R528	2007-000090	R-CHIP;10Kohm,5%,1/10W,TP,1608	1	SA		UX7	2801-004095	CRYSTAL-SMD;27MHz,20ppm,28-ABY,14	1	SA	
R529	2007-000090	R-CHIP;10Kohm,5%,1/10W,TP,1608	1	SA		VC1	2203-005148	C-CER,CHIP;100nF,10%,16V,X7R,TP,1	1	SA	
R530	2007-000090	R-CHIP;10Kohm,5%,1/10W,TP,1608	1	SA		VC10	2203-005148	C-CER,CHIP;100nF,10%,16V,X7R,TP,1	1	SA	
R531	2007-000090	R-CHIP;10Kohm,5%,1/10W,TP,1608	1	SA		VC11	2203-005148	C-CER,CHIP;100nF,10%,16V,X7R,TP,1	1	SA	
R532	2007-000090	R-CHIP;10Kohm,5%,1/10W,TP,1608	1	SA		VC12	2203-005148	C-CER,CHIP;100nF,10%,16V,X7R,TP,1	1	SA	
R533	2007-000090	R-CHIP;10Kohm,5%,1/10W,TP,1608	1	SA		VC2	2203-000206	C-CER,CHIP;100nF,10%,50V,X7R,2012	1	SA	
R534	2007-000090	R-CHIP;10Kohm,5%,1/10W,TP,1608	1	SA		VC3	2203-000206	C-CER,CHIP;100nF,10%,50V,X7R,2012	1	SA	
R535	2007-000090	R-CHIP;10Kohm,5%,1/10W,TP,1608	1	SA		VC4	2203-000206	C-CER,CHIP;100nF,10%,50V,X7R,2012	1	SA	
R536	2007-000113	R-CHIP;33ohm,5%,1/10W,TP,1608	1	SA		VC5	2203-005148	C-CER,CHIP;100nF,10%,16V,X7R,TP,1	1	SA	
R537	2007-000113	R-CHIP;33ohm,5%,1/10W,TP,1608	1	SA		VC8	2203-005148	C-CER,CHIP;100nF,10%,16V,X7R,TP,1	1	SA	
R538	2007-000113	R-CHIP;33ohm,5%,1/10W,TP,1608	1	SA		VCO1	2203-005148	C-CER,CHIP;100nF,10%,16V,X7R,TP,1	1	SA	
R539	2007-000113	R-CHIP;33ohm,5%,1/10W,TP,1608	1	SA		VCO2	2203-005065	C-CER,CHIP;1000nF,+80-20%,10V,Y5V	1	SA	
R540	2007-000113	R-CHIP;33ohm,5%,1/10W,TP,1608	1	SA		VCO3	2203-005148	C-CER,CHIP;100nF,10%,16V,X7R,TP,1	1	SA	
R541	2007-000113	R-CHIP;33ohm,5%,1/10W,TP,1608	1	SA		VCO4	2203-005065	C-CER,CHIP;1000nF,+80-20%,10V,Y5V	1	SA	
R935	2011-001261	R-NETWORK;33ohm,5%,1/16W,L,CHIP,8	1	SA		VD2	0403-001412	DIODE-ZENER;-5.93-6.47V,200MW,SO	1	SA	
R936	2007-000070	R-CHIP;0ohm,5%,1/10W,TP,1608	1	SA		VD3	0403-001412	DIODE-ZENER;-5.93-6.47V,200MW,SO	1	SA	

Loc.No	Loc.No	Description : Specification	Q'ty	S.N.A	Remark	Loc.No	Loc.No	Description : Specification	Q'ty	S.N.A	Remark
VD4	0403-001412	DIODE-ZENER,-5.93-6.47V,200MW,SO	1	SA		C1S14	2201-000863	C-CERAMIC,DISC;0.68NF,10%,50V,Y5P	1	SA	
VD6	0403-001412	DIODE-ZENER,-5.93-6.47V,200MW,SO	1	SA		C1S15	2301-000224	C-FILM,LEAD-PEF;22nF,5%,50V,TP,7.	1	SA	
VD7	0403-001412	DIODE-ZENER,-5.93-6.47V,200MW,SO	1	SA		C1S16	2301-001679	C-FILM,PEF;2.2nF,5%,50V,TP,5.8x3x	1	SA	
VD8	0403-001412	DIODE-ZENER,-5.93-6.47V,200MW,SO	1	SA		C1S17	2201-000987	C-CERAMIC,DISC;2.2NF,20%,400V,Y5U	1	SA	
VE12	2402-001042	C-AL,SMD;100uF,20%,16V,GP,TP,6.6x	1	SA		C2S31	2301-000383	C-FILM,LEAD-PEF;10nF,5%,50V,TP,6x	1	SA	
VE13	2402-001011	C-AL,SMD;22uF,20%,16V,GP,TP,5.3x5	1	SA		C2S82	2301-000129	C-FILM,LEAD-PEF;100nF,5%,50V,TP,1	1	SA	
VE14	2402-001042	C-AL,SMD;100uF,20%,16V,GP,TP,6.6x	1	SA		C2S83	2301-000129	C-FILM,LEAD-PEF;100nF,5%,50V,TP,1	1	SA	
VE20	2203-006361	C-CER,CHIP;10000nF,10%,10V,X5R,20	1	SA		C2S851	2301-000129	C-FILM,LEAD-PEF;100nF,5%,50V,TP,1	1	SA	
VE21	2203-006361	C-CER,CHIP;10000nF,10%,10V,X5R,20	1	SA		CN1S01	3711-000203	HEADER-BOARD TO CABLE;1WALL,2P/3P	1	SA	
VE22	2203-006361	C-CER,CHIP;10000nF,10%,10V,X5R,20	1	SA		CN2	3711-004484	HEADER-BOARD TO CABLE;BOX,5P,1R,2	1	SA	
VE23	2402-001011	C-AL,SMD;22uF,20%,16V,GP,TP,5.3x5	1	SA		CN3	3711-003942	HEADER-BOARD TO CABLE;BOX,2P,1R,2	1	SA	
VE24	2402-001042	C-AL,SMD;100uF,20%,16V,GP,TP,6.6x	1	SA		D1S11	0402-000012	DIODE-RECTIFIER;UF4007,1KV,1A,DO-	1	SA	
VE25	2402-001011	C-AL,SMD;22uF,20%,16V,GP,TP,5.3x5	1	SA		D1S12	0401-000005	DIODE-SWITCHING;1N4148,75V,150mA,	1	SA	
VE26	2203-005692	C-CER,CHIP;4700nF,+80-20%,16V,Y5V	1	SA		D1S13	0402-001195	DIODE-RECTIFIER;F1T4,400V,1A,DO-2	1	SA	
VE27	2203-005692	C-CER,CHIP;4700nF,+80-20%,16V,Y5V	1	SA		D1S14	0402-001195	DIODE-RECTIFIER;F1T4,400V,1A,DO-2	1	SA	
VE28	2203-005692	C-CER,CHIP;4700nF,+80-20%,16V,Y5V	1	SA		D2S31	0402-001195	DIODE-RECTIFIER;F1T4,400V,1A,DO-2	1	SA	
VE3	2402-001042	C-AL,SMD;100uF,20%,16V,GP,TP,6.6x	1	SA		D2S32	0402-001195	DIODE-RECTIFIER;F1T4,400V,1A,DO-2	1	SA	
VE4	2402-001011	C-AL,SMD;22uF,20%,16V,GP,TP,5.3x5	1	SA		D2S33	0402-001624	DIODE-RECTIFIER;SF26,400V,2A,DO-1	1	SA	
VE6	2402-000179	C-AL,SMD;47uF,20%,16V,GP,TP,6.6x6	1	SA		D2S34	0402-001600	DIODE-RECTIFIER;MBRF20100CT,100V,	1	SA	
VE7	2402-001042	C-AL,SMD;100uF,20%,16V,GP,TP,6.6x	1	SA		D2S35	0402-001600	DIODE-RECTIFIER;MBRF20100CT,100V,	1	SA	
VE8	2402-001011	C-AL,SMD;22uF,20%,16V,GP,TP,5.3x5	1	SA		D2S36	0402-001600	DIODE-RECTIFIER;MBRF20100CT,100V,	1	SA	
VIC1	1201-002008	IC-VIDEO AMP;MM1566AFBE,SOP,16P,9	1	SA		D2S37	0402-001195	DIODE-RECTIFIER;F1T4,400V,1A,DO-2	1	SA	
VIC3	1201-002406	IC-VIDEO AMP;SM5302AS,HSOP,28P,18	1	SA		D2S38	0402-001195	DIODE-RECTIFIER;F1T4,400V,1A,DO-2	1	SA	
VL2	2703-000166	INDUCTOR-SMD;2.7uH,5%,3225	1	SA		D2S51	0401-000005	DIODE-SWITCHING;1N4148,75V,150mA,	1	SA	
VL3	2703-000166	INDUCTOR-SMD;2.7uH,5%,3225	1	SA		D2S60	0401-000005	DIODE-SWITCHING;1N4148,75V,150mA,	1	SA	
VR15	2007-000591	R-CHIP;22ohm,1%,1/10W,TP,1608	1	SA		E1S11	2401-002608	C-AL;33uF,20%,35V,GP,TP,5x11.5	1	SA	
VR16	2007-000591	R-CHIP;22ohm,1%,1/10W,TP,1608	1	SA		E2S31	2401-001126	C-AL;330uF,20%,25V,WT,TP,10x12.5,	1	SA	
VR17	2007-000591	R-CHIP;22ohm,1%,1/10W,TP,1608	1	SA		E2S32	2401-001126	C-AL;330uF,20%,25V,WT,TP,10x12.5,	1	SA	
VR18	2007-001164	R-CHIP;75ohm,1%,1/10W,TP,1608	1	SA		E2S33	2401-003549	C-AL;470uF,20%,25V,LZ,TP,10x16.5	1	SA	
VR19	2007-001164	R-CHIP;75ohm,1%,1/10W,TP,1608	1	SA		E2S34	2401-003390	C-AL;2200uF,20%,16V,LZ,TP,13x31.5	1	SA	
VR20	2007-001164	R-CHIP;75ohm,1%,1/10W,TP,1608	1	SA		E2S35	2401-003390	C-AL;2200uF,20%,16V,LZ,TP,13x31.5	1	SA	
VR21	2007-001164	R-CHIP;75ohm,1%,1/10W,TP,1608	1	SA		E2S36	2401-001370	C-AL;470uF,20%,16V,GP,TP,8x11.5,5	1	SA	
VR22	2007-001164	R-CHIP;75ohm,1%,1/10W,TP,1608	1	SA		E2S37	2401-001370	C-AL;470uF,20%,16V,GP,TP,8x11.5,5	1	SA	
VR24	2007-000070	R-CHIP;0ohm,5%,1/10W,TP,1608	1	SA		E2S38	2401-003059	C-AL;1000UF,20%,16V,WT,TP,10X16,5	1	SA	
VR25	2007-000070	R-CHIP;0ohm,5%,1/10W,TP,1608	1	SA		E2S39	2401-001479	C-AL;470uF,20%,10V,GP,TP,6.3*11mm	1	SA	
VR37	2007-001164	R-CHIP;75ohm,1%,1/10W,TP,1608	1	SA		E2S40	2401-003621	C-AL;47uF,20%,63V,GP,TP,6.3x11mm,	1	SA	
VR4	2007-001164	R-CHIP;75ohm,1%,1/10W,TP,1608	1	SA		E2S41	2401-001370	C-AL;470uF,20%,16V,GP,TP,8x11.5,5	1	SA	
VR43	2007-000079	R-CHIP;1.8Kohm,5%,1/10W,TP,1608	1	SA		E2S53	2401-002300	C-AL;47##F,20%,50V,GP,TP,6.3x11.5	1	SA	
VR44	2007-001164	R-CHIP;75ohm,1%,1/10W,TP,1608	1	SA		E2S54	2401-000302	C-AL;100uF,20%,25V,GP,TP,6.3x11.5	1	SA	
VR46	2007-001164	R-CHIP;75ohm,1%,1/10W,TP,1608	1	SA		E2S55	2401-003480	C-AL;1000UF,20%,10V,LZ,TP,10X16MM	1	SA	
VR49	2007-000070	R-CHIP;0ohm,5%,1/10W,TP,1608	1	SA		E2S56	2401-002300	C-AL;47##F,20%,50V,GP,TP,6.3x11.5	1	SA	
VR5	2007-001164	R-CHIP;75ohm,1%,1/10W,TP,1608	1	SA		E2S57	2401-002300	C-AL;47##F,20%,50V,GP,TP,6.3x11.5	1	SA	
VR6	2007-001164	R-CHIP;75ohm,1%,1/10W,TP,1608	1	SA		E2S58	2401-003480	C-AL;1000UF,20%,10V,LZ,TP,10X16MM	1	SA	
VR7	2007-001164	R-CHIP;75ohm,1%,1/10W,TP,1608	1	SA		F1S01	3601-000237	FUSE-CARTRIDGE;250V,2A,SLOW-BLOW,	1	SA	
VR8	2007-000082	R-CHIP;3.3Kohm,5%,1/10W,TP,1608	1	SA		IC1S11	1203-004788	IC-PWM CONTROLLER;ICE2QS01,DIP,8P	1	SA	
X5	2801-004655	CRYSTAL-SMD;25MHz,50ppm,SX-3,18pF	1	SA		IC1S12	0604-001028	PHOTO-COUPLER;TR,50-600%250mW,DI	1	SC	
<b>P003</b>	<b>AK92-01516A</b>	<b>ASSY PCB-SMPS;BD-P1400/XEU,ASSY S</b>	<b>1</b>	<b>SA</b>		IC1S81	AC14-12006D	IC;KA431Z,TO-92,TAPING	1	SA	
BD1	0402-001608	DIODE-BRIDGE;GBJ2J,600V,2A,SIP-4,	1	SA		IC2S51	AC14-12006N	IC-VOLT REGU;KA78R12,SIP,STICK	1	SA	
C1S01	2401-003243	C-AL;150uF,20%,400V,WT,BK,25x30,1	1	SA		L11	AC27-92001M	COIL-INDUCTOR;RH3.5X6.5RS,BEAD/RA	1	SC	
C1S02	2201-002044	C-CERAMIC,DISC;0.1NF,10%,400V,Y5P	1	SA		L1S01	AK29-00002A	FILTER EMI;RECORDER,SQ2222.0.420h	1	SA	
C1S03	2201-002044	C-CERAMIC,DISC;0.1NF,10%,400V,Y5P	1	SA		L1S02	AK29-00002A	FILTER EMI;RECORDER,SQ2222.0.420h	1	SA	
C1S04	2301-001792	C-FILM,LEAD;150nF,20%,275V,BK,17.	1	SA		L2S31	AH27-00039A	COIL CHOKE;DR CHOKE(8*6),DVD-R200	1	SA	
C1S05	2301-001792	C-FILM,LEAD;150nF,20%,275V,BK,17.	1	SA		L2S32	AH27-00039A	COIL CHOKE;DR CHOKE(8*6),DVD-R200	1	SA	
C1S11	2305-001029	C-FILM,LEAD-PEF;10nF,10%,630V,TP,	1	SA		L2S33	AH27-00039A	COIL CHOKE;DR CHOKE(8*6),DVD-R200	1	SA	
C1S12	2201-000129	C-CERAMIC,DISC;0.1NF,10%,1000V,Y5	1	SA		PT01	AK26-00029A	TRANS SWITCHING;-;BD-P1400,-,110-	1	SA	
C1S13	2201-000576	C-CERAMIC,DISC;0.047nF,5%,50V,SL,	1	SA		Q1S11	0505-001729	FET-SILICON;SPA04N60C3,N,600V,4.5	1	SA	
						Q2P51	0501-000362	TR-SMALL SIGNAL;KSC2328A-Y,NPN,10	1	SA	
						Q2P52	0504-000142	TR-DIGITAL;FJN4301R,NP,300MW,4.7	1	SA	
						Q2P53	0505-001522	FET-SILICON;FQP33N10,N,100V,33A,5	1	SA	
						Q2P54	0505-001522	FET-SILICON;FQP33N10,N,100V,33A,5	1	SA	

Exploded Views and Parts List

Loc.No	Loc.No	Description : Specification	Q'ty	S.N.A	Remark	Loc.No	Loc.No	Description : Specification	Q'ty	S.N.A	Remark
Q2P55	0501-000362	TR-SMALL SIGNAL;KSC2328A-Y,NPN,10	1	SA		FR11	2001-000281	R-CARBON;100OHM,5%,1/8W,AA,TP,1.8	1	SA	
Q2P56	0504-000142	TR-DIGITAL;FJN4301R,PNP,300MW,4.7	1	SA		FR12	2001-000281	R-CARBON;100OHM,5%,1/8W,AA,TP,1.8	1	SA	
Q2P57	0504-000116	TR-DIGITAL;KSR1001,NPN,300MW,4.7K	1	SA		FR41	2001-000734	R-CARBON;4.7KOHM,5%,1/8W,AA,TP,1.	1	SA	
R1S01	2002-000121	R-COMPOSITION;1Mohm,10%,1/2W,AA,T	1	SA		FR42	2001-000780	R-CARBON;470OHM,5%,1/8W,AA,TP,1.8	1	SA	
R1S04	1404-001361	THERMISTOR-NTC;3ohm,4A,-,35mW/C,0	1	SA		FR43	2001-000793	R-CARBON;470OHM,5%,1/8W,AA,TP,1.8X	1	SA	
R1S11	2006-000273	R-CEMENT;27KOHM,5%,2W,CA,BK,6.4X6	1	SA		FR51	2001-000027	R-CARBON;100OHM,5%,1/4W,AA,TP,2.4	1	SA	
R1S12	2006-000273	R-CEMENT;27KOHM,5%,2W,CA,BK,6.4X6	1	SA		FR53	2001-000429	R-CARBON;1KOHM,5%,1/8W,AA,TP,1.8X	1	SA	
R1S13	2001-000281	R-CARBON;100OHM,5%,1/8W,AA,TP,1.8	1	SA		FR54	2001-000429	R-CARBON;1KOHM,5%,1/8W,AA,TP,1.8X	1	SA	
R1S14	2001-000440	R-CARBON;1OHM,5%,1/8W,AA,TP,1.8X3	1	SA		FR58	2001-000429	R-CARBON;1KOHM,5%,1/8W,AA,TP,1.8X	1	SA	
R1S15	2001-000527	R-CARBON;22OHM,5%,1/8W,AA,TP,1.8X	1	SA		FR60	2001-000429	R-CARBON;1KOHM,5%,1/8W,AA,TP,1.8X	1	SA	
R1S16	2001-000786	R-CARBON;47KOHM,5%,1/8W,AA,TP,1.8	1	SA		FR64	2001-000429	R-CARBON;1KOHM,5%,1/8W,AA,TP,1.8X	1	SA	
R1S17	2001-000591	R-CARBON;3.3KOHM,5%,1/8W,AA,TP,1.	1	SA		FR67	2001-000734	R-CARBON;4.7KOHM,5%,1/8W,AA,TP,1.	1	SA	
R1S18	2001-000793	R-CARBON;47OHM,5%,1/8W,AA,TP,1.8X	1	SA		FR68	2001-000734	R-CARBON;4.7KOHM,5%,1/8W,AA,TP,1.	1	SA	
R1S19	2001-000449	R-CARBON;2.2KOHM,5%,1/8W,AA,TP,1.	1	SA		FS2	3404-000165	SWITCH-TACT;12V,50mA,160gf,6x6mm,	1	SA	
R1S20	2003-000105	R-METAL OXIDE;0.33ohm,5%,2W,AD,TP	1	SA		FS3	3404-000165	SWITCH-TACT;12V,50mA,160gf,6x6mm,	1	SA	
R1S21	2001-000527	R-CARBON;22OHM,5%,1/8W,AA,TP,1.8X	1	SA		FS5	3404-000165	SWITCH-TACT;12V,50mA,160gf,6x6mm,	1	SA	
R2P51	2001-000429	R-CARBON;1KOHM,5%,1/8W,AA,TP,1.8X	1	SA		FS6	3404-000165	SWITCH-TACT;12V,50mA,160gf,6x6mm,	1	SA	
R2P52	2001-000429	R-CARBON;1KOHM,5%,1/8W,AA,TP,1.8X	1	SA		FS7	3404-000165	SWITCH-TACT;12V,50mA,160gf,6x6mm,	1	SA	
R2P53	2001-000290	R-CARBON;10KOHM,5%,1/8W,AA,TP,1.8	1	SA		FTR1	0504-000119	TR-DIGITAL;KSR1004,NPN,300MW,47K/	1	SA	
R2P54	2001-000449	R-CARBON;2.2KOHM,5%,1/8W,AA,TP,1.	1	SA		FTR2	0504-000119	TR-DIGITAL;KSR1004,NPN,300MW,47K/	1	SA	
R2P55	2001-000290	R-CARBON;10KOHM,5%,1/8W,AA,TP,1.8	1	SA		FU3	0609-001189	MODULE REMOCOM;HORIZONTAL,16.4MM,	1	SC	
R2P56	2001-000449	R-CARBON;2.2KOHM,5%,1/8W,AA,TP,1.	1	SA		FX1	2802-001094	RESONATOR-CERAMIC;4.0MHz,0.5%,TP,	1	SA	
R2P57	2001-000429	R-CARBON;1KOHM,5%,1/8W,AA,TP,1.8X	1	SA		IC1	3708-002387	CONNECTOR-FPC/FFC/PIC;23P,1.25mm,	1	SA	
R2S31	2001-000440	R-CARBON;1OHM,5%,1/8W,AA,TP,1.8X3	1	SA		KFC1	2202-000806	C-CERAMIC,MLC-AXIAL;220pF,10%,50V	1	SA	
R2S51	2001-000019	R-CARBON(S);10OHM,5%,1/2W,AA,TP,2	1	SA		KFC2	2202-000806	C-CERAMIC,MLC-AXIAL;220pF,10%,50V	1	SA	
R2S60	2001-000038	R-CARBON;390OHM,5%,1/4W,AA,TP,2.4	1	SA		KFR1	2001-000429	R-CARBON;1KOHM,5%,1/8W,AA,TP,1.8X	1	SA	
R2S74	2003-000502	R-METAL OXIDE(S);150ohm,5%,2W,AA,	1	SA		KFR2	2001-000577	R-CARBON;2KOHM,5%,1/8W,AA,TP,1.8X	1	SA	
R2S82	2001-000924	R-CARBON;680OHM,5%,1/8W,AA,TP,1.8	1	SA		KFR4	2001-000429	R-CARBON;1KOHM,5%,1/8W,AA,TP,1.8X	1	SA	
R2S83	2001-000924	R-CARBON;680OHM,5%,1/8W,AA,TP,1.8	1	SA		KFR5	2001-000577	R-CARBON;2KOHM,5%,1/8W,AA,TP,1.8X	1	SA	
R2S84	2001-000429	R-CARBON;1KOHM,5%,1/8W,AA,TP,1.8X	1	SA		KFR6	2001-000007	R-CARBON;3KOHM,5%,1/8W,AA,TP,1.8X	1	SA	
R2S86	2001-000832	R-CARBON;510OHM,5%,1/8W,AA,TP,1.8	1	SA		KFR7	2001-000007	R-CARBON;3KOHM,5%,1/8W,AA,TP,1.8X	1	SA	
R2S87	2004-000869	R-METAL;3Kohm,1%,1/8W,AA,TP,1.8x3	1	SA		VFD1	AK07-00053A	VFD DISPLAY;BD-P1000,NHR-11SS63T,	1	SA	
R2S88	2004-000869	R-METAL;3Kohm,1%,1/8W,AA,TP,1.8x3	1	SA		VFD1A	AK61-00541A	HOLDER-FLT;BD-P1000,ABS,-,-,BLK	1	SA	
R2S901	2001-000429	R-CARBON;1KOHM,5%,1/8W,AA,TP,1.8X	1	SA		VS106	AK39-00094A	LEAD CONNECTOR;BD-P1000,UL 1007#2	1	SA	
VA1S01	1405-001026	VARIATOR;470V,600A,9x7mm,TP	1	SA		<b>P007P AK92-01507A</b>	<b>ASSY PCB-POWER KEY;BD-P1400,ASSY</b>	<b>1</b>	<b>SA</b>		
VA1S03	1405-000186	VARIATOR;470V,2500A,17.5x7.5mm,TP	1	SA		SCON1	3711-000988	HEADER-BOARD TO CABLE;BOX,5P,1R,2	1	SA	
VS221	AK39-00116A	LEAD CONNECTOR;BD-P1400,UL1007#24	1	SA		SKEY1	3404-000165	SWITCH-TACT;12V,50mA,160gf,6x6mm,	1	SA	
ZD1S11	0403-001167	DIODE-ZENER;MTZJ30D,29.02-30.51V,	1	SA		SLED1	0601-001928	LED;ROUND,BLUE,3mm,465nm,3.6x3.8m	1	SA	
ZD1S14	0403-001158	DIODE-ZENER;MTZJ18C,17.42-18.33V,	1	SA		SLED2	0601-001874	LED;ROUND,RED,3.626mm,-	1	SA	
ZD2S51	0403-000753	DIODE-ZENER;MTZJ27D,26.2-27.6V,50	1	SA		<b>H003 AK97-02140A</b>	<b>ASSY-BDP LOADER N;-BD-P1400-SEC4</b>	<b>1</b>	<b>SA</b>		
<b>P007F AK92-01498B</b>	<b>ASSY PCB-FRONT KEY;BD-P1400/XELA</b>	<b>1</b>	<b>SA</b>		C1	2203-000440	C-CER,CHIP;1nF,10%,50V,X7R,1608	1	SA		
FC20	2202-000173	C-CERAMIC,MLC-AXIAL;1nF,10%,50V,Y	1	SA		C10	2203-005249	C-CER,CHIP;100nF,10%,50V,X7R,1608	1	SA	
FC21	2202-000797	C-CERAMIC,MLC-AXIAL;10NF,30%,16V,	1	SA		C101	2203-005249	C-CER,CHIP;100nF,10%,50V,X7R,1608	1	SA	
FC22	2202-000109	C-CERAMIC,MLC-AXIAL;100NF,+80-20%	1	SA		C102	2203-005249	C-CER,CHIP;100nF,10%,50V,X7R,1608	1	SA	
FCN2	3711-000988	HEADER-BOARD TO CABLE;BOX,5P,1R,2	1	SA		C103	2404-000284	C-TA,CHIP;10uF,20%,16V,-,TP,3528	1	SA	
FD1	0403-000718	DIODE-ZENER;MTZJ6.8B,6.52-6.79V,5	1	SA		C104	2203-005249	C-CER,CHIP;100nF,10%,50V,X7R,1608	1	SA	
FD10	0401-000101	DIODE-SWITCHING;1N4148,75V,150mA,	1	SA		C105	2203-005249	C-CER,CHIP;100nF,10%,50V,X7R,1608	1	SA	
FE10	2401-001502	C-AL;47uF,20%,16V,GP,TP,6.3x5.2.5	1	SA		C108	2203-005249	C-CER,CHIP;100nF,10%,50V,X7R,1608	1	SA	
FE6	2401-001502	C-AL;47uF,20%,16V,GP,TP,6.3x5.2.5	1	SA		C109	2203-005249	C-CER,CHIP;100nF,10%,50V,X7R,1608	1	SA	
FE8	2401-001502	C-AL;47uF,20%,16V,GP,TP,6.3x5.2.5	1	SA		C11	2203-005249	C-CER,CHIP;100nF,10%,50V,X7R,1608	1	SA	
FE9	2401-000249	C-AL;100uF,20%,10V,GP,TP,6.3x5.5	1	SA		C110	2203-005249	C-CER,CHIP;100nF,10%,50V,X7R,1608	1	SA	
FL1	2701-000114	INDUCTOR-AXIAL;10UH,10%,2534	1	SA		C111	2203-005249	C-CER,CHIP;100nF,10%,50V,X7R,1608	1	SA	
FL2	2701-000114	INDUCTOR-AXIAL;10UH,10%,2534	1	SA		C112	2203-005249	C-CER,CHIP;100nF,10%,50V,X7R,1608	1	SA	
FL685	3809-001992	FFC CABLE-FLAT;30V,80C,210mm,23P,	1	SA		C113	2203-005249	C-CER,CHIP;100nF,10%,50V,X7R,1608	1	SA	
FMIC1	AK09-00177B	IC MICOM;GMS81C2020,BD-P1400,64PI	1	SNA		C115	2203-005249	C-CER,CHIP;100nF,10%,50V,X7R,1608	1	SA	
FMIC2	1203-001252	IC-VOL. DETECTOR;7545,TO-92,3P,-,	1	SA							





Exploded Views and Parts List

Loc.No	Loc.No	Description : Specification	Q'ty	S.N.A	Remark	Loc.No	Loc.No	Description : Specification	Q'ty	S.N.A	Remark
C247	2203-000783	C-CER,CHIP;0.33nF,5%,50V,C0G,1608	1	SA		C63	2203-005249	C-CER,CHIP;100nF,10%,50V,X7R,1608	1	SA	
C248	2203-005249	C-CER,CHIP;100nF,10%,50V,X7R,1608	1	SA		C64	2203-005249	C-CER,CHIP;100nF,10%,50V,X7R,1608	1	SA	
C249	2203-005249	C-CER,CHIP;100nF,10%,50V,X7R,1608	1	SA		C65	2203-000257	C-CER,CHIP;10nF,10%,50V,X7R,1608	1	SA	
C25	2203-000843	C-CER,CHIP;39nF,10%,25V,X7R,1608	1	SA		C66	2203-005249	C-CER,CHIP;100nF,10%,50V,X7R,1608	1	SA	
C250	2203-005249	C-CER,CHIP;100nF,10%,50V,X7R,1608	1	SA		C68	2203-000257	C-CER,CHIP;10nF,10%,50V,X7R,1608	1	SA	
C251	2203-005249	C-CER,CHIP;100nF,10%,50V,X7R,1608	1	SA		C69	2404-000284	C-TA,CHIP;10uF,20%,16V,-,TP,3528	1	SA	
C252	2203-000440	C-CER,CHIP;1nF,10%,50V,X7R,1608	1	SA		C7	2203-006170	C-CER,CHIP;220nF,10%,16V,X7R,1608	1	SA	
C255	2203-000440	C-CER,CHIP;1nF,10%,50V,X7R,1608	1	SA		C70	2203-000257	C-CER,CHIP;10nF,10%,50V,X7R,1608	1	SA	
C258	2203-000236	C-CER,CHIP;0.1nF,5%,50V,C0G,1608	1	SA		C71	2203-000626	C-CER,CHIP;0.022nF,5%,50V,C0G,160	1	SA	
C26	2404-000284	C-TA,CHIP;10uF,20%,16V,-,TP,3528	1	SA		C73	2203-000257	C-CER,CHIP;10nF,10%,50V,X7R,1608	1	SA	
C261	2203-005249	C-CER,CHIP;100nF,10%,50V,X7R,1608	1	SA		C74	2203-000140	C-CER,CHIP;1.5nF,10%,50V,X7R,1608	1	SA	
C262	2404-000284	C-TA,CHIP;10uF,20%,16V,-,TP,3528	1	SA		C75	2203-000140	C-CER,CHIP;1.5nF,10%,50V,X7R,1608	1	SA	
C263	2203-005249	C-CER,CHIP;100nF,10%,50V,X7R,1608	1	SA		C76	2203-000257	C-CER,CHIP;10nF,10%,50V,X7R,1608	1	SA	
C264	2203-005249	C-CER,CHIP;100nF,10%,50V,X7R,1608	1	SA		C77	2203-000257	C-CER,CHIP;10nF,10%,50V,X7R,1608	1	SA	
C265	2404-000284	C-TA,CHIP;10uF,20%,16V,-,TP,3528	1	SA		C771	AK61-00514A	HOLDER-WIRE;SOH-BP1,PPS,T6.6,W13.	1	SNA	
C266	2203-005249	C-CER,CHIP;100nF,10%,50V,X7R,1608	1	SA		C78	2203-000257	C-CER,CHIP;10nF,10%,50V,X7R,1608	1	SA	
C267	2203-005249	C-CER,CHIP;100nF,10%,50V,X7R,1608	1	SA		C79	2203-000257	C-CER,CHIP;10nF,10%,50V,X7R,1608	1	SA	
C268	2203-005249	C-CER,CHIP;100nF,10%,50V,X7R,1608	1	SA		C8	2203-006170	C-CER,CHIP;220nF,10%,16V,X7R,1608	1	SA	
C269	2404-000284	C-TA,CHIP;10uF,20%,16V,-,TP,3528	1	SA		C81	2203-002398	C-CER,CHIP;22nF,10%,50V,X7R,1608	1	SA	
C27	2203-005249	C-CER,CHIP;100nF,10%,50V,X7R,1608	1	SA		C82	2203-002398	C-CER,CHIP;22nF,10%,50V,X7R,1608	1	SA	
C270	2203-005249	C-CER,CHIP;100nF,10%,50V,X7R,1608	1	SA		C83	2203-002398	C-CER,CHIP;22nF,10%,50V,X7R,1608	1	SA	
C272	2203-005249	C-CER,CHIP;100nF,10%,50V,X7R,1608	1	SA		C84	2203-000236	C-CER,CHIP;0.1nF,5%,50V,C0G,1608	1	SA	
C273	2203-000440	C-CER,CHIP;1nF,10%,50V,X7R,1608	1	SA		C85	2203-000236	C-CER,CHIP;0.1nF,5%,50V,C0G,1608	1	SA	
C28	2404-000284	C-TA,CHIP;10uF,20%,16V,-,TP,3528	1	SA		C86	2203-000236	C-CER,CHIP;0.1nF,5%,50V,C0G,1608	1	SA	
C29	2203-000843	C-CER,CHIP;39nF,10%,25V,X7R,1608	1	SA		C87	2404-001150	C-TA,CHIP;22uF,20%,35V,LZ,TP,7343	1	SA	
C3	2203-000888	C-CER,CHIP;4.7nF,10%,50V,X7R,1608	1	SA		C9	2203-005249	C-CER,CHIP;100nF,10%,50V,X7R,1608	1	SA	
C30	2203-000843	C-CER,CHIP;39nF,10%,25V,X7R,1608	1	SA		C90	2404-001150	C-TA,CHIP;22uF,20%,35V,LZ,TP,7343	1	SA	
C31	2203-005249	C-CER,CHIP;100nF,10%,50V,X7R,1608	1	SA		C92	2203-005249	C-CER,CHIP;100nF,10%,50V,X7R,1608	1	SA	
C32	2203-000843	C-CER,CHIP;39nF,10%,25V,X7R,1608	1	SA		C93	2203-005249	C-CER,CHIP;100nF,10%,50V,X7R,1608	1	SA	
C33	2203-000491	C-CER,CHIP;2.2nF,10%,50V,X7R,1608	1	SA		C94	2203-005249	C-CER,CHIP;100nF,10%,50V,X7R,1608	1	SA	
C35	2203-000491	C-CER,CHIP;2.2nF,10%,50V,X7R,1608	1	SA		C95	2203-005249	C-CER,CHIP;100nF,10%,50V,X7R,1608	1	SA	
C36	2203-000257	C-CER,CHIP;10nF,10%,50V,X7R,1608	1	SA		C96	2203-005249	C-CER,CHIP;100nF,10%,50V,X7R,1608	1	SA	
C37	2203-000491	C-CER,CHIP;2.2nF,10%,50V,X7R,1608	1	SA		C97	2203-005249	C-CER,CHIP;100nF,10%,50V,X7R,1608	1	SA	
C38	2203-005249	C-CER,CHIP;100nF,10%,50V,X7R,1608	1	SA		C98	2203-000257	C-CER,CHIP;10nF,10%,50V,X7R,1608	1	SA	
C39	2203-005249	C-CER,CHIP;100nF,10%,50V,X7R,1608	1	SA		C99	2203-005249	C-CER,CHIP;100nF,10%,50V,X7R,1608	1	SA	
C4	2404-001150	C-TA,CHIP;22uF,20%,35V,LZ,TP,7343	1	SA		CON1	3708-002092	CONNECTOR-FPC/FFC/PIC;54P,0.5mm,S	1	SA	
C40	2203-005249	C-CER,CHIP;100nF,10%,50V,X7R,1608	1	SA		CON2	3708-002018	CONNECTOR-FPC/FFC/PIC;4P,1MM,SMD-	1	SA	
C41	2203-005249	C-CER,CHIP;100nF,10%,50V,X7R,1608	1	SA		CON3	3708-001878	CONNECTOR-FPC/FFC/PIC;6P,1MM,SMD-	1	SA	
C42	2404-000284	C-TA,CHIP;10uF,20%,16V,-,TP,3528	1	SA		CON4	3708-002067	CONNECTOR-FPC/FFC/PIC;12P,1mm,SMD	1	SA	
C43	2203-005249	C-CER,CHIP;100nF,10%,50V,X7R,1608	1	SA		CON5	3711-005872	HEADER-BOARD TO CABLE;BOX,5P,1R,2	1	SA	
C44	2203-000257	C-CER,CHIP;10nF,10%,50V,X7R,1608	1	SA		CON6	3708-002052	CONNECTOR-FPC/FFC/PIC;40P,0.5MM,S	1	SA	
C45	2203-000257	C-CER,CHIP;10nF,10%,50V,X7R,1608	1	SA		D1	0401-001099	DIODE-SWITCHING;1N4148WS,75V,150m	1	SA	
C46	2203-000257	C-CER,CHIP;10nF,10%,50V,X7R,1608	1	SA		D2	0401-001099	DIODE-SWITCHING;1N4148WS,75V,150m	1	SA	
C47	2203-000236	C-CER,CHIP;0.1nF,5%,50V,C0G,1608	1	SA		D3	0401-001099	DIODE-SWITCHING;1N4148WS,75V,150m	1	SA	
C49	2404-000284	C-TA,CHIP;10uF,20%,16V,-,TP,3528	1	SA		H102	AK61-00521A	BODY CLAMPER-DISC;BD-P1,POM,T1,-,	1	SNA	
C5	2402-001042	C-AL,SMD;100uF,20%,16V,GP,TP,6.6x	1	SA		H103	AK66-00061A	GEAR-PULLEY;DP-RW,POM,-,-,-,-,B	1	SNA	
C50	2203-005249	C-CER,CHIP;100nF,10%,50V,X7R,1608	1	SA		H105	6602-001076	BELT-RECTANGULAR;CR,T1,2.4,3%,1.2	1	SA	
C52	2404-000284	C-TA,CHIP;10uF,20%,16V,-,TP,3528	1	SA		H106	AK66-00062A	GEAR-TRAY;DP-RW,POM,-,-,-,WHT,-,	1	SNA	
C53	2203-005249	C-CER,CHIP;100nF,10%,50V,X7R,1608	1	SA		H203	AK66-00050A	SHAFT-PU;BD-R1,SUS420J2L97,3,-,H	2	SNA	
C54	2404-000284	C-TA,CHIP;10uF,20%,16V,-,TP,3528	1	SA		H207	AK31-00036A	MOTOR SPINDLE;BD-P2,8500,9.8mNm,	1	SNA	
C55	2203-005249	C-CER,CHIP;100nF,10%,50V,X7R,1608	1	SA		H209	AK64-01010A	CHASSIS-SUB;DP-RW,ABS,-,-,-,BLK,-	1	SNA	
C56	2203-005249	C-CER,CHIP;100nF,10%,50V,X7R,1608	1	SA		H211	AK97-02049A	ASSY-PICK UP,-,SOH-BP3,-	1	SNA	
C57	2203-000257	C-CER,CHIP;10nF,10%,50V,X7R,1608	1	SA		H265	AK61-00402A	BRACKET-SHAFT PU;DP-RW,SUS,T1,0,-	3	SNA	
C58	2203-001408	C-CER,CHIP;0.22nF,5%,50V,NP0,1608	1	SA		H268	AK61-00452A	SPRING ETC-HINGE PU;DP-R2,SUS304W	1	SNA	
C59	2203-005249	C-CER,CHIP;100nF,10%,50V,X7R,1608	1	SA		H271	AK61-00520A	HINGE-PU;BD-P1,POM KEPITAL,T10,7,	1	SNA	
C6	2402-001042	C-AL,SMD;100uF,20%,16V,GP,TP,6.6x	1	SA		H401	AK61-00400A	FRAME-MAIN;DP-RW,ABS,-,-,BLK,-,-,	1	SNA	
C60	2203-000440	C-CER,CHIP;1nF,10%,50V,X7R,1608	1	SA		IC1	1203-002454	IC-POSI.FIXED REG.;FAN1117A,TO-25	1	SA	
C61	2203-005249	C-CER,CHIP;100nF,10%,50V,X7R,1608	1	SA		IC11	1001-001305	IC-ANALOG SWITCH;74HC4066PW,-,TSS	1	SA	
C62	2203-000440	C-CER,CHIP;1nF,10%,50V,X7R,1608	1	SA		IC12	1001-001305	IC-ANALOG SWITCH;74HC4066PW,-,TSS	1	SA	



Loc.No	Loc.No	Description : Specification	Q'ty	S.N.A	Remark	Loc.No	Loc.No	Description : Specification	Q'ty	S.N.A	Remark
IC13	AK13-00022A	IC ASIC;S5L1900X,BD-PLAYER,256,3	1	SA		R172	2007-000071	R-CHIP;22ohm,5%,1/10W,TP,1608	1	SA	
IC14	AK13-00021A	IC ASIC;S5L1800A,BD-PLAYER,256,3	1	SA		R173	2007-000115	R-CHIP;82ohm,5%,1/10W,TP,1608	1	SA	
IC15	1105-001397	IC-DRAM;K4S641632-,64Mbit,1Mx16x	1	SA		R174	2011-001085	R-NET;82ohm,5%,1/16W,L,CHIP,8P,TP	1	SA	
IC17	1103-000170	IC-EEPROM;24C64A,64Kbit,8Kx8Bit,S	1	SA		R178	2007-000070	R-CHIP;0ohm,5%,1/10W,TP,1608	1	SA	
IC2	1203-003176	IC-MULTI REG.;BA33C18HFP,HRP,5P,9	1	SA		R179	2007-000109	R-CHIP;1Mohm,5%,1/10W,TP,1608	1	SA	
IC20	1105-001397	IC-DRAM;K4S641632-,64Mbit,1Mx16x	1	SA		R18	2007-000040	R-CHIP;150ohm,1%,1/10W,TP,1608	1	SA	
IC22	AK09-00051A	IC MICOM;---,0.3~+3.8V,30Mhz	1	SNA		R180	2007-000078	R-CHIP;1Kohm,5%,1/10W,TP,1608	1	SA	
IC24	0801-002097	IC-CMOS LOGIC;7ST08,AND GATE,SOP,	1	SA		R181	2007-000084	R-CHIP;4.7Kohm,5%,1/10W,TP,1608	1	SA	
IC25	0801-002542	IC-CMOS LOGIC;7AACT08,AND GATE,TS	1	SA		R182	3301-001233	BEAD-SMD;300ohm,1608,---	1	SA	
IC27	1003-001515	IC-MOTOR DRIVER;BA6846FV,SSOP,14P	1	SA		R183	2007-000122	R-CHIP;1.2Kohm,5%,1/10W,TP,1608	1	SA	
IC29	1203-003177	IC-VOL. DETECTOR;BD5326G,SSOP,5P,	1	SA		R184	2007-000122	R-CHIP;1.2Kohm,5%,1/10W,TP,1608	1	SA	
IC3	1201-000163	IC-OP AMP;4560,SOP,8P,173MIL,DUAL	1	SA		R185	2007-000122	R-CHIP;1.2Kohm,5%,1/10W,TP,1608	1	SA	
IC5	1003-001780	IC-MOTOR DRIVER;BD7954FS,SSOP,54P	1	SA		R186	2007-000122	R-CHIP;1.2Kohm,5%,1/10W,TP,1608	1	SA	
IC6	AK13-00023A	IC ASIC;S1L1300X,BD-PLAYER,144,5	1	SNA		R187	2007-000122	R-CHIP;1.2Kohm,5%,1/10W,TP,1608	1	SA	
IC7	1203-001816	IC-POSIFIXED REG.;78M08,TO-252,3	1	SA		R188	2007-000094	R-CHIP;22Kohm,5%,1/10W,TP,1608	1	SA	
L11	2703-000125	INDUCTOR-SMD;10uH,10%,2012	1	SA		R189	2007-000122	R-CHIP;1.2Kohm,5%,1/10W,TP,1608	1	SA	
L4	2901-001281	FILTER-EMI SMD;16V,2A,-,220000pF,	1	SA		R19	2007-000090	R-CHIP;10Kohm,5%,1/10W,TP,1608	1	SA	
L5	2901-001281	FILTER-EMI SMD;16V,2A,-,220000pF,	1	SA		R190	2007-000083	R-CHIP;3Kohm,5%,1/10W,TP,1608	1	SA	
L6	2901-001281	FILTER-EMI SMD;16V,2A,-,220000pF,	1	SA		R191	2007-000116	R-CHIP;120ohm,5%,1/10W,TP,1608	1	SA	
L7	2901-001281	FILTER-EMI SMD;16V,2A,-,220000pF,	1	SA		R192	2007-000076	R-CHIP;330ohm,5%,1/10W,TP,1608	1	SA	
P001	AK92-01533A	ASSY PCB;BD-P1400-SEC4,FRONT-END	1	SNA		R193	2007-000076	R-CHIP;330ohm,5%,1/10W,TP,1608	1	SA	
P198	AK97-01204A	ASSY-PCB MOTOR;ASSY,DP-R2,DP-R2	1	SNA		R194	2007-000084	R-CHIP;4.7Kohm,5%,1/10W,TP,1608	1	SA	
P274	AK97-01370A	ASSY-COVER;SECC,BD-P1,T.0.8	1	SNA		R195	2007-000084	R-CHIP;4.7Kohm,5%,1/10W,TP,1608	1	SA	
Q4	0501-000465	TR-SMALL SIGNAL;MMBT3904,NPN,350m	1	SA		R196	2007-000084	R-CHIP;4.7Kohm,5%,1/10W,TP,1608	1	SA	
Q5	0501-000465	TR-SMALL SIGNAL;MMBT3904,NPN,350m	1	SA		R197	2007-000084	R-CHIP;4.7Kohm,5%,1/10W,TP,1608	1	SA	
Q6	0501-000465	TR-SMALL SIGNAL;MMBT3904,NPN,350m	1	SA		R198	2007-000084	R-CHIP;4.7Kohm,5%,1/10W,TP,1608	1	SA	
Q8	0501-000465	TR-SMALL SIGNAL;MMBT3904,NPN,350m	1	SA		R199	2007-000084	R-CHIP;4.7Kohm,5%,1/10W,TP,1608	1	SA	
R1	2007-000090	R-CHIP;10Kohm,5%,1/10W,TP,1608	1	SA		R2	2007-000090	R-CHIP;10Kohm,5%,1/10W,TP,1608	1	SA	
R10	2007-000098	R-CHIP;56Kohm,5%,1/10W,TP,1608	1	SA		R200	2007-000084	R-CHIP;4.7Kohm,5%,1/10W,TP,1608	1	SA	
R106	2007-000090	R-CHIP;10Kohm,5%,1/10W,TP,1608	1	SA		R201	2007-000084	R-CHIP;4.7Kohm,5%,1/10W,TP,1608	1	SA	
R108	2007-000078	R-CHIP;1Kohm,5%,1/10W,TP,1608	1	SA		R202	2007-000084	R-CHIP;4.7Kohm,5%,1/10W,TP,1608	1	SA	
R11	2007-000029	R-CHIP;0ohm,5%,1/8W,TP,2012	1	SA		R203	2007-000082	R-CHIP;3.3Kohm,5%,1/10W,TP,1608	1	SA	
R113	2007-000102	R-CHIP;10Kohm,5%,1/10W,TP,1608	1	SA		R204	2007-000134	R-CHIP;33Kohm,5%,1/10W,TP,1608	1	SA	
R114	2007-000070	R-CHIP;0ohm,5%,1/10W,TP,1608	1	SA		R206	2007-000084	R-CHIP;4.7Kohm,5%,1/10W,TP,1608	1	SA	
R115	2007-000070	R-CHIP;0ohm,5%,1/10W,TP,1608	1	SA		R207	2007-000084	R-CHIP;4.7Kohm,5%,1/10W,TP,1608	1	SA	
R118	2007-000070	R-CHIP;0ohm,5%,1/10W,TP,1608	1	SA		R208	2007-000070	R-CHIP;0ohm,5%,1/10W,TP,1608	1	SA	
R119	2007-000109	R-CHIP;1Mohm,5%,1/10W,TP,1608	1	SA		R209	2007-000087	R-CHIP;6.8Kohm,5%,1/10W,TP,1608	1	SA	
R12	2007-000029	R-CHIP;0ohm,5%,1/8W,TP,2012	1	SA		R210	2007-000070	R-CHIP;0ohm,5%,1/10W,TP,1608	1	SA	
R120	3301-001233	BEAD-SMD;300ohm,1608,---	1	SA		R211	2007-000070	R-CHIP;0ohm,5%,1/10W,TP,1608	1	SA	
R13	2007-000029	R-CHIP;0ohm,5%,1/8W,TP,2012	1	SA		R212	2007-000070	R-CHIP;0ohm,5%,1/10W,TP,1608	1	SA	
R135	2007-000084	R-CHIP;4.7Kohm,5%,1/10W,TP,1608	1	SA		R213	2007-000070	R-CHIP;0ohm,5%,1/10W,TP,1608	1	SA	
R138	2007-000090	R-CHIP;10Kohm,5%,1/10W,TP,1608	1	SA		R214	2007-000070	R-CHIP;0ohm,5%,1/10W,TP,1608	1	SA	
R141	2007-000090	R-CHIP;10Kohm,5%,1/10W,TP,1608	1	SA		R215	2007-000070	R-CHIP;0ohm,5%,1/10W,TP,1608	1	SA	
R142	2007-000084	R-CHIP;4.7Kohm,5%,1/10W,TP,1608	1	SA		R216	2007-000070	R-CHIP;0ohm,5%,1/10W,TP,1608	1	SA	
R143	2007-000084	R-CHIP;4.7Kohm,5%,1/10W,TP,1608	1	SA		R219	2007-000070	R-CHIP;0ohm,5%,1/10W,TP,1608	1	SA	
R145	2007-000084	R-CHIP;4.7Kohm,5%,1/10W,TP,1608	1	SA		R22	2007-000070	R-CHIP;0ohm,5%,1/10W,TP,1608	1	SA	
R148	2007-000070	R-CHIP;0ohm,5%,1/10W,TP,1608	1	SA		R222	2007-000113	R-CHIP;33ohm,5%,1/10W,TP,1608	1	SA	
R150	2011-000881	R-NET;33ohm,5%,1/16W,L,CHIP,8P,TP	1	SA		R223	2007-000113	R-CHIP;33ohm,5%,1/10W,TP,1608	1	SA	
R154	2011-000881	R-NET;33ohm,5%,1/16W,L,CHIP,8P,TP	1	SA		R224	2007-000122	R-CHIP;1.2Kohm,5%,1/10W,TP,1608	1	SA	
R158	2011-000881	R-NET;33ohm,5%,1/16W,L,CHIP,8P,TP	1	SA		R225	2007-000094	R-CHIP;22Kohm,5%,1/10W,TP,1608	1	SA	
R16	2007-000040	R-CHIP;150ohm,1%,1/10W,TP,1608	1	SA		R226	2007-000070	R-CHIP;0ohm,5%,1/10W,TP,1608	1	SA	
R162	2011-000881	R-NET;33ohm,5%,1/16W,L,CHIP,8P,TP	1	SA		R229	2007-000090	R-CHIP;10Kohm,5%,1/10W,TP,1608	1	SA	
R166	2007-000071	R-CHIP;22ohm,5%,1/10W,TP,1608	1	SA		R233	2007-000070	R-CHIP;0ohm,5%,1/10W,TP,1608	1	SA	
R167	2007-000115	R-CHIP;82ohm,5%,1/10W,TP,1608	1	SA		R237	2007-000082	R-CHIP;3.3Kohm,5%,1/10W,TP,1608	1	SA	
R168	2007-000115	R-CHIP;82ohm,5%,1/10W,TP,1608	1	SA		R238	2007-000134	R-CHIP;33Kohm,5%,1/10W,TP,1608	1	SA	
R169	2007-000071	R-CHIP;22ohm,5%,1/10W,TP,1608	1	SA		R239	2007-000074	R-CHIP;100ohm,5%,1/10W,TP,1608	1	SA	
R17	2007-000090	R-CHIP;10Kohm,5%,1/10W,TP,1608	1	SA		R244	2007-000084	R-CHIP;4.7Kohm,5%,1/10W,TP,1608	1	SA	
R170	2007-000115	R-CHIP;82ohm,5%,1/10W,TP,1608	1	SA		R245	2007-000084	R-CHIP;4.7Kohm,5%,1/10W,TP,1608	1	SA	
R171	2007-000071	R-CHIP;22ohm,5%,1/10W,TP,1608	1	SA		R246	2007-000083	R-CHIP;3Kohm,5%,1/10W,TP,1608	1	SA	

Exploded Views and Parts List

Loc.No	Loc.No	Description : Specification	Q'ty	S.N.A	Remark	Loc.No	Loc.No	Description : Specification	Q'ty	S.N.A	Remark
R247	2007-000116	R-CHIP;120ohm,5%,1/10W,TP,1608	1	SA		R4	2007-000090	R-CHIP;10Kohm,5%,1/10W,TP,1608	1	SA	
R248	2007-000076	R-CHIP;330ohm,5%,1/10W,TP,1608	1	SA		R40	2007-001044	R-CHIP;56ohm,5%,1/10W,TP,1608	1	SA	
R249	2007-000076	R-CHIP;330ohm,5%,1/10W,TP,1608	1	SA		R41	2007-000034	R-CHIP;10HM,5%,1/4W,TP,3216	1	SA	
R25	2007-000070	R-CHIP;0ohm,5%,1/10W,TP,1608	1	SA		R42	2007-000034	R-CHIP;10HM,5%,1/4W,TP,3216	1	SA	
						R43	2007-000034	R-CHIP;10HM,5%,1/4W,TP,3216	1	SA	
R254	2007-000122	R-CHIP;1.2Kohm,5%,1/10W,TP,1608	1	SA		R44	2007-000070	R-CHIP;0ohm,5%,1/10W,TP,1608	1	SA	
R257	2007-000122	R-CHIP;1.2Kohm,5%,1/10W,TP,1608	1	SA		R45	2007-000070	R-CHIP;0ohm,5%,1/10W,TP,1608	1	SA	
R258	2007-000090	R-CHIP;10Kohm,5%,1/10W,TP,1608	1	SA		R5	2007-000074	R-CHIP;100ohm,5%,1/10W,TP,1608	1	SA	
R259	2007-000090	R-CHIP;10Kohm,5%,1/10W,TP,1608	1	SA		R51	2007-000078	R-CHIP;1Kohm,5%,1/10W,TP,1608	1	SA	
R26	2007-000078	R-CHIP;1Kohm,5%,1/10W,TP,1608	1	SA		R54	2007-001044	R-CHIP;56ohm,5%,1/10W,TP,1608	1	SA	
R260	2007-000090	R-CHIP;10Kohm,5%,1/10W,TP,1608	1	SA		R55	2007-001044	R-CHIP;56ohm,5%,1/10W,TP,1608	1	SA	
R261	2007-000090	R-CHIP;10Kohm,5%,1/10W,TP,1608	1	SA		R57	2007-000102	R-CHIP;100Kohm,5%,1/10W,TP,1608	1	SA	
R27	2007-000074	R-CHIP;100ohm,5%,1/10W,TP,1608	1	SA		R58	2007-000502	R-CHIP;2.2ohm,5%,1/8W,TP,2012	1	SA	
R28	2007-000070	R-CHIP;0ohm,5%,1/10W,TP,1608	1	SA		R59	2007-000502	R-CHIP;2.2ohm,5%,1/8W,TP,2012	1	SA	
R281	2007-000070	R-CHIP;0ohm,5%,1/10W,TP,1608	1	SA		R6	2007-000084	R-CHIP;4.7Kohm,5%,1/10W,TP,1608	1	SA	
R283	2007-000078	R-CHIP;1Kohm,5%,1/10W,TP,1608	1	SA		R60	2007-000078	R-CHIP;1Kohm,5%,1/10W,TP,1608	1	SA	
R284	2007-000078	R-CHIP;1Kohm,5%,1/10W,TP,1608	1	SA		R61	2007-000502	R-CHIP;2.2ohm,5%,1/8W,TP,2012	1	SA	
R286	2007-000084	R-CHIP;4.7Kohm,5%,1/10W,TP,1608	1	SA		R62	2007-000502	R-CHIP;2.2ohm,5%,1/8W,TP,2012	1	SA	
R288	2007-000113	R-CHIP;33ohm,5%,1/10W,TP,1608	1	SA		R63	2007-000109	R-CHIP;1Mohm,5%,1/10W,TP,1608	1	SA	
R289	2007-000113	R-CHIP;33ohm,5%,1/10W,TP,1608	1	SA		R65	2007-000070	R-CHIP;0ohm,5%,1/10W,TP,1608	1	SA	
R29	2007-000090	R-CHIP;10Kohm,5%,1/10W,TP,1608	1	SA		R66	2007-000070	R-CHIP;0ohm,5%,1/10W,TP,1608	1	SA	
R291	2007-000070	R-CHIP;0ohm,5%,1/10W,TP,1608	1	SA		R67	2007-000130	R-CHIP;39Kohm,5%,1/10W,TP,1608	1	SA	
R293	2007-000070	R-CHIP;0ohm,5%,1/10W,TP,1608	1	SA		R68	2007-000097	R-CHIP;47Kohm,5%,1/10W,TP,1608	1	SA	
R294	2007-000040	R-CHIP;150ohm,1%,1/10W,TP,1608	1	SA		R69	2007-000079	R-CHIP;1.8Kohm,5%,1/10W,TP,1608	1	SA	
R297	2007-000078	R-CHIP;1Kohm,5%,1/10W,TP,1608	1	SA		R7	2007-000070	R-CHIP;0ohm,5%,1/10W,TP,1608	1	SA	
R299	2011-000660	R-NETWORK;1Kohm,5%,1/16W,L,CHIP,8	1	SA		R70	2007-000102	R-CHIP;100Kohm,5%,1/10W,TP,1608	1	SA	
R3	2007-000090	R-CHIP;10Kohm,5%,1/10W,TP,1608	1	SA		R71	2007-000090	R-CHIP;10Kohm,5%,1/10W,TP,1608	1	SA	
R30	2007-000097	R-CHIP;47Kohm,5%,1/10W,TP,1608	1	SA		R72	2007-001010	R-CHIP;51Kohm,5%,1/10W,TP,1608	1	SA	
R300	2007-000084	R-CHIP;4.7Kohm,5%,1/10W,TP,1608	1	SA		R75	2007-000090	R-CHIP;10Kohm,5%,1/10W,TP,1608	1	SA	
R301	2007-000084	R-CHIP;4.7Kohm,5%,1/10W,TP,1608	1	SA		R76	2007-000104	R-CHIP;150Kohm,5%,1/10W,TP,1608	1	SA	
R302	2007-000084	R-CHIP;4.7Kohm,5%,1/10W,TP,1608	1	SA		R78	2007-000098	R-CHIP;56Kohm,5%,1/10W,TP,1608	1	SA	
R31	2007-000102	R-CHIP;100Kohm,5%,1/10W,TP,1608	1	SA		R79	2007-000104	R-CHIP;150Kohm,5%,1/10W,TP,1608	1	SA	
R32	2007-000093	R-CHIP;20Kohm,5%,1/10W,TP,1608	1	SA		R80	2007-000070	R-CHIP;0ohm,5%,1/10W,TP,1608	1	SA	
R320	2007-000084	R-CHIP;4.7Kohm,5%,1/10W,TP,1608	1	SA		R82	2007-000097	R-CHIP;47Kohm,5%,1/10W,TP,1608	1	SA	
R321	2007-000084	R-CHIP;4.7Kohm,5%,1/10W,TP,1608	1	SA		R83	2007-000070	R-CHIP;0ohm,5%,1/10W,TP,1608	1	SA	
R322	2011-000660	R-NETWORK;1Kohm,5%,1/16W,L,CHIP,8	1	SA		R84	2007-000091	R-CHIP;12Kohm,5%,1/10W,TP,1608	1	SA	
R323	2007-000090	R-CHIP;10Kohm,5%,1/10W,TP,1608	1	SA		R90	2007-000072	R-CHIP;47ohm,5%,1/10W,TP,1608	1	SA	
R324	2007-000090	R-CHIP;10Kohm,5%,1/10W,TP,1608	1	SA		R91	2007-000072	R-CHIP;47ohm,5%,1/10W,TP,1608	1	SA	
R325	2007-000070	R-CHIP;0ohm,5%,1/10W,TP,1608	1	SA		R94	2007-000090	R-CHIP;10Kohm,5%,1/10W,TP,1608	1	SA	
R326	2007-000070	R-CHIP;0ohm,5%,1/10W,TP,1608	1	SA		R95	3301-001419	BEAD-SMD;220ohm,1608,TP,133ohm/70	1	SA	
R327	2007-000084	R-CHIP;4.7Kohm,5%,1/10W,TP,1608	1	SA		R97	2007-000124	R-CHIP;2.2Kohm,5%,1/10W,TP,1608	1	SA	
R328	2007-000084	R-CHIP;4.7Kohm,5%,1/10W,TP,1608	1	SA		R98	2007-000124	R-CHIP;2.2Kohm,5%,1/10W,TP,1608	1	SA	
R329	2007-000084	R-CHIP;4.7Kohm,5%,1/10W,TP,1608	1	SA		S.N.A	AK63-00262A	GROUND-TERMINAL L,DP-R2,SECC,0.6T	1	SNA	
R33	2007-000093	R-CHIP;20Kohm,5%,1/10W,TP,1608	1	SA		S.N.A	AK63-00263A	GROUND-TERMINAL L,DP-R2,SECC,0.6T	1	SNA	
R330	2007-000084	R-CHIP;4.7Kohm,5%,1/10W,TP,1608	1	SA		S.N.A	AK97-01203A	ASSY-FRAME MAIN;ASSY,BD-P1,BD-P1	1	SNA	
R331	2007-000078	R-CHIP;1Kohm,5%,1/10W,TP,1608	1	SA		S.N.A	AK63-00213A	COVER-CLAMPER DISC PU;DP-RW,SECC,	1	SNA	
R332	2007-000512	R-CHIP;2.4Kohm,5%,1/10W,TP,1608	1	SA		S.N.A	AK68-00433A	LABEL WARNING-DRIVE;DP-R1,-,ART P	1	SNA	
R333	2007-000512	R-CHIP;2.4Kohm,5%,1/10W,TP,1608	1	SA		S.N.A	AK97-01371A	ASSY-CLAMPER;POM,SECC,BD-P1,T.0.6	1	SNA	
R334	2007-001010	R-CHIP;51Kohm,5%,1/10W,TP,1608	1	SA		S.N.A	AK61-00524A	BRACKET-MAGNET;BD-P1,SECC,T0.6,W1	1	SNA	
R337	2007-000084	R-CHIP;4.7Kohm,5%,1/10W,TP,1608	1	SA		S.N.A	AK97-02114A	ASSY-TRAVERSE;ASSY,BD-P1,#####	1	SNA	
R340	2007-000070	R-CHIP;0ohm,5%,1/10W,TP,1608	1	SA		S.N.A	AK31-00024A	MOTOR STEP-FEED;-DP-RW,727 mA,20	1	SNA	
R345	2007-000029	R-CHIP;0ohm,5%,1/8W,TP,2012	1	SA		S.N.A	AK41-00436A	FFC-PU CABLE;BD-P1,B TYPE,FLAT,54	1	SNA	
R346	2007-000798	R-CHIP;360ohm,5%,1/8W,TP,2012	1	SA		S.N.A	AK61-00522A	BRACKET-DECK;BD-P1,SECC 1/8H,T2,W	1	SNA	
R347	2007-000798	R-CHIP;360ohm,5%,1/8W,TP,2012	1	SA		S.N.A	AK61-00523A	BRACKET-SHAFT FIX;BD-P1,SUS 301-C	1	SNA	
R349	2007-000078	R-CHIP;1Kohm,5%,1/10W,TP,1608	1	SA		S.N.A	3409-001138	SWITCH-DETECTOR;SV DC,1A,DPST,30G	1	SA	
R350	2007-000084	R-CHIP;4.7Kohm,5%,1/10W,TP,1608	1	SA		S.N.A	AK41-00319A	PCB-MOTOR;DP-R2,PHENOL,1.00,T1.6,	1	SNA	
R36	2007-000431	R-CHIP;16Kohm,5%,1/10W,TP,1608	1	SA		S.N.A	AK41-00320A	FFC-HOUSING;DP-R2,PITCH1.0,PET,6P	1	SNA	
R37	2007-000093	R-CHIP;20Kohm,5%,1/10W,TP,1608	1	SA		S.N.A	AK31-00001A	MOTOR-LOADING;RF-300EH-1D390,DP-9	1	SA	
R38	2007-000034	R-CHIP;10HM,5%,1/4W,TP,3216	1	SA		S.N.A	AK66-00038A	PULLEY MOTOR;DP-R1,POM,-,BLK,1.95	1	SNA	
R39	2007-001044	R-CHIP;56ohm,5%,1/10W,TP,1608	1	SA		S.N.A	AK63-00215A	COVER-UPPER;DP-RW,SECC,T0.6,-,-	1	SNA	

Loc.No	Loc.No	Description : Specification	Q'ty	S.N.A	Remark	Loc.No	Loc.No	Description : Specification	Q'ty	S.N.A	Remark
						AK67-00051A		LENS-QWP;SOH-BP1,B270,NTR,5*5,1.0	1	SNA	
T037	AK66-00060A	SLIDER-CAM;DP-RW,POM,-,-,WHT,-	1	SNA		AK97-02056A		ASSY-BLU LD;SOH-BP3,BD-PLAYER	1	SNA	
VS149	AK97-01205A	ASSY-MOTOR;ASSY,DP,R2,DP,R2	1	SNA		0201-001819		ADHESIVE-UV;8833M,YELLOW,21000mPa	0.003	SNA	
W018	6003-001450	SCREW-TAPTITE;PH,+,-,S,M2.6,L5,ZP	3	SA		0602-001153		DIODE-LASER;20mW,2.405nm,-	1	SNA	
W212	6003-001251	SCREW-TAPTITE;CH,+,-,B,M1.7,L3,ZP	7	SA		AK61-00506A		HOLDER-BD LD;SOH-BP1,ZnDC,T5.9,W6	1	SNA	
W352	6001-000883	SCREW-MACHINE;PH,+,-,M1.4,L5,ZPC(BL	1	SNA		AK97-02058A		ASSY-FPCB,-;SOH-BP3,BD-PLAYER	1	SNA	
W353	6003-001199	SCREW-TAPTITE;PWH,+,-,B,M2,L7,ZPC	4	SA		0202-001561		SOLDER-CREAM;PF141-LF10,41SN/58B	0.05	SNA	
W376	6001-000805	SCREW-MACHINE;CH,+,-,M1.7,L3,NI P	3	SA		0602-001154		LASER-HOLOGRAM;6mW,1.5V,6V	1	SNA	
W377	6001-001291	SCREW-MACHINE;CH(0.5),+,-,M1.7,L4	3	SA		0603-001212		PHOTO-RECEIVER;5.7V,15mA,405nm,-	1	SNA	
W378	6001-001452	SCREW-MACHINE;BH,+,-,M1.4,L2.5,ZP	2	SA		0603-001213		PHOTO-RECEIVER;5.7V,23mA,405nm,-	1	SNA	
W378	6001-001452	SCREW-MACHINE;BH,+,-,M1.4,L2.5,ZP	1	SA		1209-001426		IC-OSCILLATOR;EL6203,SOT-23,5P,63	3	SNA	
W379	6003-001442	SCREW-TAPTITE;BH,+,-,B,M1.7,L6,ZPC(	1	SA		2007-000052		R-CHIP;10Kohm,1%,1/10W,TP,1608	1	SA	
W380	6001-001608	SCREW-MACHINE;PH,+,-,M1.7,L7.5,ZPC(	1	SNA		2007-000138		R-CHIP;100ohm,5%,1/16W,TP,1005	1	SA	
W381	6003-001449	SCREW-TAPTITE;BH,+,-,B,M2.6,L6,NI P	5	SNA		2007-000140		R-CHIP;1Kohm,5%,1/16W,TP,1005	3	SA	
W381	6003-001449	SCREW-TAPTITE;BH,+,-,B,M2.6,L6,NI P	2	SNA		2007-000156		R-CHIP;30Kohm,5%,1/16W,TP,1005	1	SA	
W382	6003-001478	SCREW-TAPTITE;PH,+,-,B,M2.6,L8,ZPC(	2	SA		2007-000171		R-CHIP;0ohm,5%,1/16W,TP,1005	4	SA	
W383	6009-001472	SCREW-SPECIAL;CH,HEX,-,M2.6,L6,SK	4	SNA		2007-000962		R-CHIP;5.1Kohm,1%,1/10W,TP,1608	1	SA	
X1	2801-004180	CRYSTAL-SMD;33.8688MHZ,50PPM,28-A	1	SA		2007-001175		R-CHIP;8.2Kohm,1%,1/10W,TP,1608	2	SA	
X2	2801-004180	CRYSTAL-SMD;33.8688MHZ,50PPM,28-A	1	SA		2007-001433		R-CHIP;12Kohm,1%,1/10W,TP,1608	2	SA	
X3	2801-004074	CRYSTAL-SMD;40MHz,50ppm,28-AAN,18	1	SA		2007-002796		R-CHIP;510OHM,5%,1/16W,TP,1005	1	SA	
	AK61-00518A	HOLDER-FFC PU;BD-P1,POM,2,10,30,W	1	SNA		2104-001087		VR-SMD;2.2Kohm,25%,0.15W,TOP	2	SA	
	0202-001492	SOLDER-WIRE FLUX;HSE-02 LFM48 SR-	0.167	SNA		2104-001125		VR-SMD;1KOHM,25%,1/10W,TOP	1	SA	
	AC99-40108S	ASSY PCB-VCR MAIN,c;RDR-VX410B,DV	1	SNA		2203-000233		C-CER,CHIP;0.1nF,5%,50V,C0G,1005	1	SA	
	AC99-90105K	ASSY SORT-LED,m;DVD-VR300/XAA,DVD	1	SNA		2203-006048		C-CER,CHIP;100nF,10%,10V,X7R,1005	13	SA	
	0202-001477	SOLDER-CREAM;LST309-M,-,D20-45##,	2.06	SNA		3301-001808		BEAD-SMD;120ohm,1005,TP,530ohm/39	12	SA	
	AK41-00530A	PCB-FRONT END;BD-P1000,-,4L,-,T1.	0.5	SNA		3708-001175		CONNECTOR-FPC/FFC/PIC;8P,0.5MM,SM	1	SA	
	AK97-02116A	ASSY-BD PLAYER DECK;ASSY,BD-P1400	1	SNA		3708-001915		CONNECTOR-FPC/FFC/PIC;54P,0.5MM,S	1	SA	
	AK97-02055A	ASSY-SUB PICK UP,-;SOH-BP3,BD-PLA	1	SNA		AK41-00734A		FPC-BDP;SOH-BDP,3.3,RIGID FPCB,54	1	SNA	
	0201-000169	ADHESIVE-CYA;ARCN-A501F,NTR	0.01	SNA		0202-001477		SOLDER-CREAM;LST309-M,-,D20-45##,	0.05	SNA	
	0201-001081	ADHESIVE-AA;1401C,RED,-,BOND-LOCK	0.01	SNA		AK97-02060A		ASSY-CLD,-;SOH-BP3,BD-PLAYER	1	SNA	
	0201-001525	ADHESIVE-UV;8840L,YEL,TRANS,23000	0.02	SNA		0201-001388		ADHESIVE-CYA;LOCTITE 460,WHT,45 M	0.005	SNA	
	0201-001553	ADHESIVE-TP;G-800-A,GRY,220##40Pa	0.06	SNA		0201-001525		ADHESIVE-UV;8840L,YEL,TRANS,23000	0.02	SNA	
	0201-001819	ADHESIVE-UV;8833M,YELLOW,21000mPa	0.09	SNA		0201-001709		ADHESIVE-UV;8839L,YEL,24500mPa,s,	0.01	SNA	
	0202-001499	SOLDER-WIRE FLUX;SR34 SUPER LFM-4	1	SNA		0202-001499		SOLDER-WIRE FLUX;SR34 SUPER LFM-4	0.05	SNA	
	AK61-00667A	SPRING ETC-DVD HOE;SOH-BP1,Pbr,-,	1	SNA		0205-001226		GREASE;FLOIL KG-513,WHT,1KG	0.01	SNA	
	AK63-00281A	COVER-ACT;SOH-BP1,SUS-301,T0.3,W1	1	SNA		0604-001302		PHOTO-INTERRUPTER;TR,-,100mW,-,-	1	SA	
	AK63-00382A	PROTECTOR-FILM OL;SOH-DR3,PVC,0.0	1	SNA		AK31-00030A		MOTOR STEP-CLD,-;SOH-BP1,-,-,2.	1	SNA	
	AK67-00050A	LENS-OL DVD CD;SOH-BP1,PLASTIC,NT	1	SNA		AK41-00737A		FPC-CLD;SOH-BDP3,-,POLYIMIDE,8.0,1	1	SNA	
	AK69-00488A	PAD-THERMAL HOE;BD-P1000,-,T1,W2.	0.003	SNA		AK61-00534A		BASE-CLD;SOH-BP3,ZN,T4.6,W14,1.L2	1	SNA	
	AK97-02054A	ASSY-OPT,-;SOH-BP3,BD-PLAYER	1	SNA		AK61-00545A		SPRING ETC-CLD;SOH-BP1,STS304-WBP	1	SNA	
	0201-001081	ADHESIVE-AA;1401C,RED,-,BOND-LOCK	0.01	SNA		AK61-00811A		HOLDER-CL;SOH-BP3,PPS,T1,W17.7,L2	1	SNA	
	0201-001411	ADHESIVE-UV;8833,YEL,50000,250G/1	0.02	SNA		AK66-00076A		SHAFT-MAIN CLD;SOH-BP1,SUS303C,25	1	SNA	
	0201-001525	ADHESIVE-UV;8840L,YEL,TRANS,23000	0.02	SNA		AK66-00077A		SHAFT-SUB CLD;SOH-BP1,SUS303C,12.	1	SNA	
	0201-001819	ADHESIVE-UV;8833M,YELLOW,21000mPa	0.04	SNA		AK67-00079A		LENS-CL BD;SOH-BP3,GLASS,NTR,PI 5	1	SNA	
	0201-001988	ADHESIVE-AA;EX-0136,WHT,20000-400	0.05	SNA		AK97-02059A		ASSY-ACT,-;SOH-BP3,BD-PLAYER	1	SNA	
	0202-001499	SOLDER-WIRE FLUX;SR34 SUPER LFM-4	0.05	SNA		0201-001081		ADHESIVE-AA;1401C,RED,-,BOND-LOCK	0.005	SNA	
	AK61-00505A	BASE-PU;SOH-BP3,ZnDC,T8.0,W34.7,L	1	SNA		0201-001230		ADHESIVE-CYA;LOCTITE 480,BLK,300,	0.005	SNA	
	AK61-00508A	HOLDER-DVD CD;SOH-BP1,ZnDC,T1.6,W	1	SNA		0201-001371		ADHESIVE-SIL;KE3494,GRAY,50 PA,OL	0.005	SNA	
	AK61-00510A	HOLDER-GT;SOH-BP1,ZnDC,T5.3,W5.4,	1	SNA		0201-001525		ADHESIVE-UV;8840L,YEL,TRANS,23000	0.05	SNA	
	AK61-00511A	HOLDER-ASL;SOH-BP1,ZnDC,T5.0,W10,	1	SNA		0201-001537		ADHESIVE-UV;SDM-378,WHT,11000mPas	0.05	SNA	
	AK61-00812A	PLATE-PD;SOH-BP3,Zn,T2.35,W12.0,L	1	SNA		0201-001709		ADHESIVE-UV;8839L,YEL,24500mPa,s,	1	SNA	
	AK63-00291A	COVER-BASE;SOH-BP1,Pbr,T0.2,W31.5	1	SNA		0202-001499		SOLDER-WIRE FLUX;SR34 SUPER LFM-4	0.05	SNA	
	AK63-00292A	COVER-GT;SOH-BP1,Pbr,T0.3,W4.9,L9	1	SNA		3302-001643		MAGNET-RARE EARTH;AF,-,14000Gauss	2	SNA	
	AK67-00021B	LENS-ASTIGMATIC BD;SOH-BP1,ZEONEX	1	SNA		3812-001436		WIRE-NO SHEATH CU;SCM,-,15.5,-,-,	4	SNA	
	AK67-00026B	LENS-CONDENSING BD;SOH-BP1,ZEONEX	1	SNA		3812-001437		WIRE-NO SHEATH CU;SCM,-,15.5,-,-,	2	SNA	
	AK67-00042A	LENS-MR BD;SOH-BP1,B270,NTR,8.0*5	1	SNA		AK41-00413A		PCB-HOLDER-WIRE;SOH-BP1,EPOXY,1,0	1	SNA	
	AK67-00043A	LENS-MR DVD;SOH-BP1,B270,NTR,8.0*	1	SNA		AK61-00513A		BASE-YOKE;SOH-BP1,SPCC,T1.2,W18.5	1	SNA	
	AK67-00044A	LENS-CL DVD;SOH-BP1,PLASTIC,NTR,P	1	SNA		AK67-00046A		LENS-PHOE;SOH-BP1,B270,NTR,3.5*3.	1	SNA	
	AK67-00045A	LENS-GRATING;SOH-BP1,B270,NTR,3.0	1	SNA		AK67-00064A		LENS-OL BD;SOH-BP1,GLASS,NTR,PI4.	1	SNA	
	AK67-00049A	LENS-CBS;SOH-BP1,BK7,NTR,5*5,-,-,	1	SNA							

## Exploded Views and Parts List

Loc.No	Loc.No	Description ; Specification	Q'ty	S.N.A	Remark
	AK97-01425A	ASSY-BLADE,-,SOH-BP1,BD Player	1	SNA	
	AK61-00512A	BLADE,SOH-BP1,VECTRA A130,GRAY,9.	1	SNA	
C002	AK64-02105A	DOOR-TRAY;BD-P1400,ABS 94HB,T2,H2	1	SA	
C011	AK61-00519A	SPRING ETC-DOOR;DVD-SR420,STS304W	1	SA	
C928	AK63-00197A	GASKET-EMI;DP-R1,EMI sheet,T0.1,W	1	SA	
FL623	3809-001833	CABLE-FLAT;30V,80C,200mm,40P,0.5m	1	SA	
IB	AK68-01457B	MANUAL USERS;BD-P1400/XEC,XEC,ES,	1	SA	
P-CASE	AK69-00574F	PACKING CASE;BD-P1400/XEU,PAPER,S	1	SA	
RCA/C	MF39-00274A	CABLE RCA;SIR-S4120R,-,3P,1830,	1	SA	
VS227	AK39-00096A	LEAD CONNECTOR;BD-P1000,UL 1007#2	1	SA	
W001	6003-000275	SCREW-TAPTITE;BH,+,-,B,M3,L10,ZPC	8	SA	
W009	6003-000276	SCREW-TAPTITE;BH,+,-,B,M3,L10,ZPC	13	SA	
W271	6009-001411	SCREW-SPECIAL;TH,+,-,M5,L14,NI PL	2	SA	
W275	6003-001561	SCREW-TAPTITE;BH,+,-,B,M3,L6,ZPC(	3	SA	
W344	6003-001076	SCREW-TAPTITE;BH,+,-,S,M3,L6,ZPC(	1	SA	
W348	6003-000255	SCREW-TAPTITE;BWH,+,-,B,M3,L8,ZPC	8	SA	