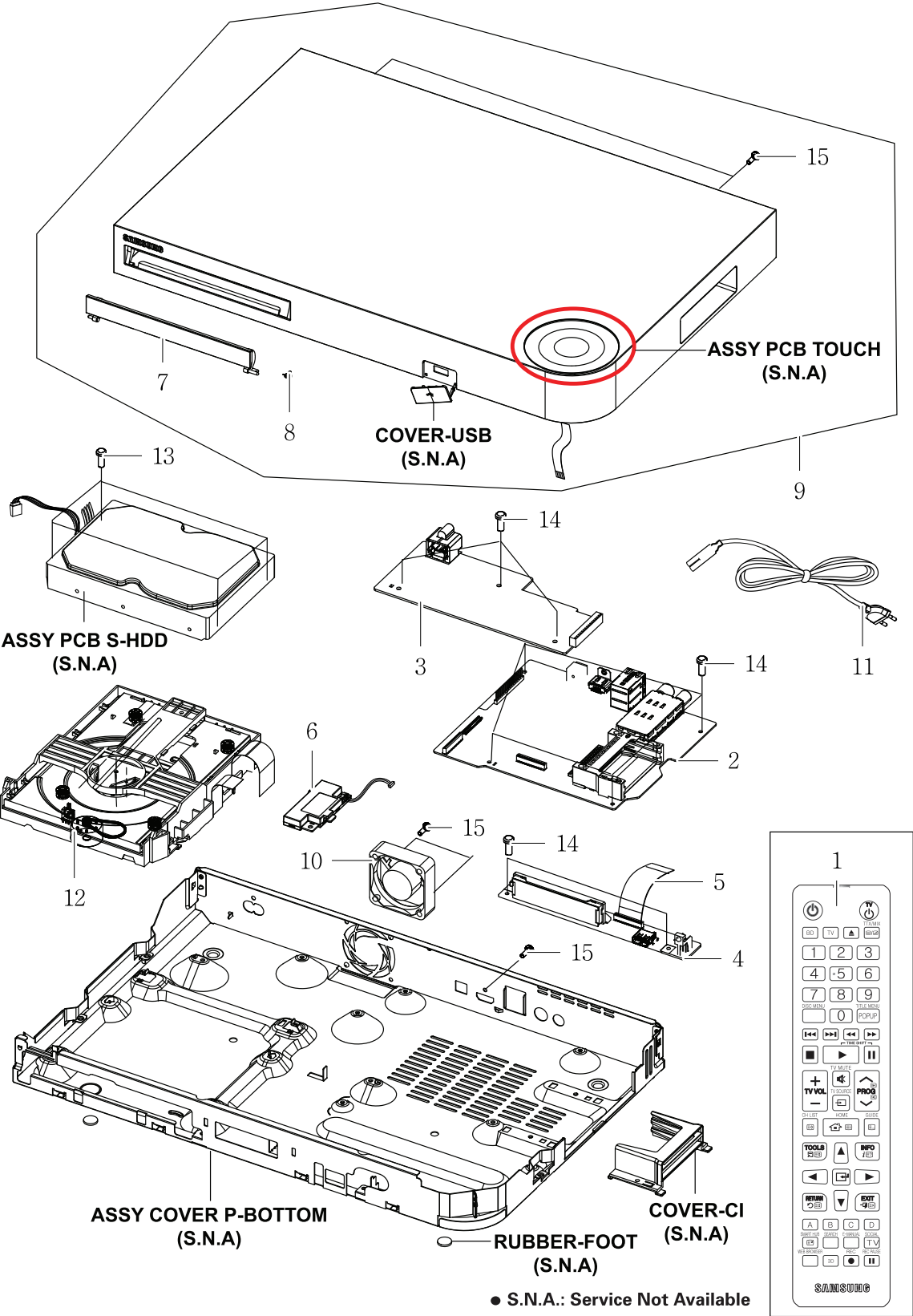


1. Cabinet Assembly

Exploded View



Parts List

No.	Lvl.	Loc.	Material Code	Description & Specification	SNA	Qty.
1	2	REMO2	AK59-00164A	REMOCON; TM1251,55,3.0V,BD-F9500, BD-F850	SA	1
2	2	M0014	AK94-00656A	ASSY PCB MAIN; BD-F8500,MAIN PCB ASSY	SA	1
3	2	P001A	AK44-00017A	DC VSS-AV BDP SMPS; V50S_DPN,V50S_DPN,AC/	SA	1
4	2	MF01A	AK94-00657A	ASSY PCB FRONT; BD-F8500	SA	1
5	3	FL06	AK96-02080B	ASSY CABLE P-FFC; BD-F8500,FFC,HS12-P1018	SA	1
6	3	NW01	BN59-01161A	NETWORK; WIDT-30Q,Internal WiFi,USB,IEEE8	SA	1
7	3	AC227	AH63-03064A	COVER-DOOR; HT-F5500/6500,ABS+PC,V0,BLACK	SA	1
8	3	C011	AK61-00137A	SPRING ETC-DOOR; DVD-R4000,COIL,PI0.45,DV	SA	1
9	2	T001A	AK96-02085A	ASSY COVER P-TOP; BD-F8500,ABS+PMMA,HB,BL	SA	1
10	3	EF01	3103-001323	FAN-DC; 12V,80mA,2000RPM,0.11m ³ /mi,0.62m	SA	1
11	2	T0268	3903-000525	CBF-POWER CORD; DT,CEE,LP-21L,250V,2.5A,B	SA	1
12	2	DECK	AK96-01822U	ASSY DECK P-BD PLAYER; BD-P8S,SEC Pickup,	SA	1
13	2		6001-000742	SCREW-INCH MACH; PH,+ ,UNC6-32,L4.2,ZPC(WH	SA	4
14	2	SCREW	6003-001561	SCREW-TAPTYPE; BH,+,-,B,M3,L6,ZPC(WHT),SW	SA	11
15	2	SCREW	6003-000275	SCREW-TAPTYPE; BH,+ ,B,M3,L10,ZPC(BLK),SWR	SA	5

2. Electrical Parts List

Level	Loc.	Part Code	Description & Specification	Qty.	SA/SNA
			BD-F8500/ZF (JJ02)		
1		AK90-00202Q	ASSY DECK-DUMMY;BD-P8S,Insourcing	1	SNA
..2	DECK	AK96-01822U	ASSY DECK P-BD PLAYER;BD-P8S,SEC Pickup,	1	SA
..3		6002-001086	SCREW-TAPPING;PH,+,B,M1.7,L5,ZPC(WHT),SW	1	SA
..3	SCREW	6003-001795	SCREW-TAPTYPE;PWH,B,M2,L6,ZPC(WHT),SWCH1	4	SNA
..3		AK96-01944A	ASSY DECK P-HINGE PU;BD-P8	1	SNA
..4	ES09	AK61-01148A	SPRING ETC-HINGE PU;BD-P7,STAINLESS-ST53	1	SNA
..4	DH03	AK61-01244A	HINGE-PU;POM	1	SNA
..3		AK96-01945F	ASSY DECK P-HOUSING;BD-P8S,F8900	1	SNA
..4		6001-001370	SCREW-MACHINE;CH,+,M1.7,L3,ZPC(WHT),SWRC	1	SA
..4	DB02	6602-001076	BELT-RECTANGULAR;CR,T1.2,4.3%,1.2X25.1,B	1	SNA
..4	SNA	AK31-00043B	MOTOR DC-LOADING;JQ24-35H440,5000,0.392,	1	SNA
..4	CF02	AK61-01246B	FRAME-MAIN;BD-P8S,ABS,Black	1	SNA
..4	DS02	AK61-01247A	SLIDER-CAM;BD-P8,POM	1	SNA
..4	FT01	AK63-00873A	TRAY-DISC;BD-P8,ABS	1	SNA
..4	SNA	AK63-00963A	COVER-UPPER;BD-P8S,ABS	1	SNA
..4	CC03	AK64-02550A	CHASSIS-SUB;BD-P8,ABS	1	SNA
..4	SNA	AK66-00167A	PULLEY-MOTOR;BD-P6,POM K700,BLK	1	SNA
..4	DG06	AK66-00254A	GEAR-PULLEY;BD-P8,POM,NTR	1	SNA
..4	DG08	AK66-00255A	GEAR-TRAY;BD-P8,POM,NTR	1	SNA
..4		AK68-02240A	LABEL CAUTION-WARNING;BD-P8,ART PAPER,0.	1	SNA
..4		AK90-00205A	ASSY MISC-CLAMPER;BD-P8,DYCPN	1	SNA
....5		AK61-01245A	MAGNET-CLAMPER;BD-P8,SPCC	1	SNA
....5		AK62-00049A	YOKE-CLAMPER;BD-P8,SPCC	1	SNA
....5		AK65-00003A	CLAMPER HOSE;BD-P8,ABS,WHITE	1	SNA
..4		AK96-01821A	ASSY PCB P-DECK;BD-P8	1	SNA
....5		3409-001723	SWITCH-LEVER;30,200,5,36deg	1	SNA
....5		3708-001878	CONNECTOR-FPC/FFC/PIC;6P,1mm,SMD-A,SnPb,	1	SA
....5		AK41-01103A	PCB-MOTOR;BD-P8,PHENOL,1mm,1	1	SNA
..4		AK96-02044D	ASSY CABLE P-DECK;BD-P8S,A,Lb00177,275,1	1	SNA
..3		AK96-01946F	ASSY DECK P-TRAVERSE;BD-P8S,F8900	1	SNA
..4		6001-001291	SCREW-MACHINE;CH,+,M1.7,L4,ZPC(BLK),SWRC	2	SA
..4	SCREW	6003-000109	SCREW-TAPTYPE;BH,+,B,M2.6,L8,ZPC(BLK),SW	1	SA
..4	SCREW	6003-001444	SCREW-TAPTYPE;BH,+,B,M2,L4,ZPC(BLK)	3	SNA
..4	SNA	AK31-00058A	MOTOR STEP-FEED;BD-P8	1	SNA
..4		AK31-00059A	MOTOR BLDC-SPINDLE;6000,BD-P8,6000	1	SNA
..4	SNA	AK61-01253A	BRACKET-DECK;BD-P8,ABS	1	SNA
..4	S.N.A	AK66-00050A	SHAFT-PU L98;BD-P,SUS420J2,L98,OD3,NTR,M	1	SNA

Exploded Views and Parts List

Level	Loc.	Part Code	Description & Specification	Qty.	SA/SNA
...4		AK73-00092A	RUBBER-DAMPER;BD-P7,BUTYL	4	SNA
...4		AK96-02044F	ASSY CABLE P-PICKUP;BD-P8S,A,KA00204,245	1	SNA
...3		AK96-02051A	ASSY PICK UP P;SOH-BP9	1	SNA
...4		0201-000169	ADHESIVE-CYA;ARCN-A501F,NTR	0	SNA
...4		0201-001081	ADHESIVE-AA;1401C,RED,-,BOND-LOCK SCREW	0	SNA
...4		0201-001525	ADHESIVE-UV;8840L,YEL,TRANS,23000,DISCMA	0	SNA
...4		0201-001819	ADHESIVE-UV;8833M,YELLOW,21000mPas,89%(H	0	SNA
...4		0201-002088	ADHESIVE-UV;IM127S,YEL,13000mPa.s,1mmt,	0	SNA
...4		AK63-00874A	COVER-ACT;SOH-BP8,STAINLESS-ST304,0.2T,	1	SNA
...4		AK67-00050A	LENS-OL DVD CD;SOH-BP1,PLASTIC,NTR,PI3.8	1	SNA
...4		AK67-00099A	LENS-BD OL;VS3504/VDP10V4,PLASTIC,NTR,Pi	1	SNA
...4		AK68-01760A	LABEL-STICKER;SOH-BP5,0.1,10,15,WHITE	1	SNA
...4		AK96-02036A	ASSY PICK UP P-ACT;SOH-BP8VE	1	SNA
....5		0201-001081	ADHESIVE-AA;1401C,RED,-,BOND-LOCK SCREW	0	SNA
....5		0201-001230	ADHESIVE-CYA;LOCTITE 480,BLK,300,-	0	SNA
....5		0201-001537	ADHESIVE-UV;SDM-378,WHT,11000mPas,-	0	SNA
....5		0201-001793	ADHESIVE-UV;8791L3,WHITE,20000mPa.s	0	SNA
....5		3302-001884	MAGNET-RARE EARTH;48MGOe,9x6.1x1.4mm	2	SNA
....5		3812-001419	WIRE-NO SHEATH CU;SCW,0V,18mm,1/0.11mm,S	4	SNA
....5		3812-001456	WIRE-NO SHEATH CU;SCM,18mm,YELLOW	2	SNA
....5		6001-001291	SCREW-MACHINE;CH,+,M1.7,L4,ZPC(BLK),SWRC	2	SA
....5	M0114	AK61-00969A	HOLDER-WIRE;SOH-BP6,PPS,13.8,8.65,BLACK	1	SNA
....5	SNA	AK62-00050A	YOKE-ACT;SOH-BP8,SPCC,1.2t,16.8,29.0,whi	1	SNA
....5		AK96-01184A	ASSY PICK UP P-BLADE;SOH-BP6	1	SNA
....6	SNA	AK66-00163A	BLADE-ACT;SOH-BP6,E5006L,BEIGE	1	SNA
...4		AK96-02052A	ASSY PICK UP P-OPT;SOH-BP9	1	SNA
....5		0201-001525	ADHESIVE-UV;8840L,YEL,TRANS,23000,DISCMA	0	SNA
....5		0201-001819	ADHESIVE-UV;8833M,YELLOW,21000mPas,89%(H	0	SNA
....5		0201-002088	ADHESIVE-UV;IM127S,YEL,13000mPa.s,1mmt,	0	SNA
....5		0205-001226	GREASE;FLOIL KG-513,WHT,1KG	0	SNA
....5		0602-001182	DIODE-LASER;6mW,2V,655nm,TP	1	SNA
....5		0602-001208	DIODE-LASER;25mW,2V,405nm,TR	1	SNA
....5		6001-000805	SCREW-MACHINE;CH,+,-,M1.7,L3,NI PLT,SWRC	3	SNA
....5		AK31-00048A	MOTOR STEP-CLD;SOH-BP7,3V,25~35,3V,-10 ~	1	SNA
....5		AK61-00742A	SPRING ETC-DVD GT;SOH-DR4,Cu,2.8,5.6,5.6	1	SNA
....5		AK61-00830A	HOLDER-GT BD;SOH-BP4,Zn,T1.85,D5.6,GRY	1	SNA
....5		AK61-00874A	SPRING ETC-PBS BD;SOH-BP5,SUS,0.15,SILBE	1	SNA
....5	ES02	AK61-00974A	SPRING ETC-DVD LD;SOH-SBP2,SUS301,3.7,0.	1	SA
....5		AK61-01061A	HOLDER-CL;SOH-BP7,PPS(FZ-3805 S2),27.0,1	1	SNA
....5		AK61-01073A	SPRING ETC-PBS DVD;SOH-BP7,SUS 304 0.15t	1	SNA

Level	Loc.	Part Code	Description & Specification	Qty.	SA/SNA
....5		AK61-01075A	SPRING ETC-DVD HOLDER;SOH-BP7,SUS 304,11	1	SNA
....5		AK61-01217A	SPRING ETC-CLD;BP7,sus304,0.10,1.5,1.7,1	1	SNA
....5		AK61-01271A	BASE-PICK UP;SOH-BP8VE,PPS(FZ-3805 S2),B	1	SNA
....5		AK61-01272A	HOLDER-LD/GT;SOH-BP8VE,Zn,6,8,6,GRAY	1	SNA
....5		AK61-01273A	HOLDER-LD BD;SOH-BP8VE,Zn,4.1,14.7,GRAY	1	SNA
....5	SNA	AK63-00717A	COVER-BASE;SOH-BP7,STAINLESS-ST304,0.2t	1	SNA
....5		AK66-00202A	SHAFT-MAIN CLD;SOH-BP7,SUS304,25,1.2,SIL	1	SNA
....5		AK67-00044A	LENS-CL DVD;SOH-BP1,PLASTIC,NTR,PI5.2,1.	1	SNA
....5		AK67-00094A	LENS-BD GT;Grating,LENS,B270,None,3.0*2.	1	SNA
....5		AK67-00095A	LENS-PBS BD;SOH-BP5,GLASS,WHITE,6.2*5.0	1	SNA
....5		AK67-00110A	LENS-BD QWP;BD QWP,PLASTIC,WHITE,4.0*4.0	1	SNA
....5		AK67-00132A	LENS-DVD MR;BDP7 DVD MR,LENS,B270,WHITE,	1	SNA
....5		AK67-00134A	LENS-BD CL;BDP7 BD CL,Z340R,WHITE,4.4*5.	1	SNA
....5		AK67-00135A	LENS-BD ASL;BDP7 BD ASL,Z340R,WHITE,Pi 2	1	SNA
....5		AK67-00159A	LENS-BD MRR;BDP7 BD MRR,LENS,B270,WHITE,	1	SNA
....5		AK67-00165A	LENS-DVD PBS;BDP8VE DVD PBS,GLASS B270,C	1	SNA
....5		AK67-00166A	LENS-DVD PLATE;BDP8VE DVD PLATE,GLASS B2	1	SNA
....5		AK96-02026A	ASSY PICK UP P-PCB;SOH-BP8 3.0	1	SNA
....6		0202-001899	SOLDER-CREAM;M705-GRN360-K2-VT,25-36um,S	0	SNA
....6		0603-001257	PHOTO-RECEIVER;6V,650nm	1	SNA
....6		0603-001259	PHOTO-RECEIVER;5.7V,405nm	1	SNA
....6		1404-001328	THERMISTOR-NTC;10Kohm,0A,3370K,0mW/C,0uF	1	SNA
....6		2007-000138	R-CHIP;100ohm,5%,1/16W,TP,1005	1	SA
....6		2007-001313	R-CHIP;330ohm,5%,1/16W,TP,1005	1	SA
....6		2007-003013	R-CHIP;2.4Kohm,5%,1/16W,TP,1005	1	SNA
....6		2104-001087	VR-SMD;2.2Kohm,25%,0.15W,TOP	2	SNA
....6		2104-001125	VR-SMD;1KOHM,25%,1/10W,TOP	1	SNA
....6	AD480	2203-006048	C-CER,CHIP;100nF,10%,10V,X7R,TP,1005	3	SA
....6	AD480	2203-006399	C-CER,CHIP;1000nF,10%,6.3V,X5R,TP,1005	4	SA
....6		3301-001808	BEAD-SMD;120ohm,1005,TP,530ohm/390MHz,12	4	SA
....6		3708-002203	CONNECTOR-FPC/FFC/PIC;40P,0.5mm,SMD-A,AU	1	SA
....6		AK41-01107A	FPC-BD;BDP8-BD,1.0,POLYIMDE,20,0.075	1	SNA
....6		AK41-01108A	FPC-DVD;BDP8-DVD,1.0,POLYIMDE,20,0.075	1	SNA
....6		AK41-01109A	FPC-ACT;BDP8-ACT,1.0,POLYIMDE,6,0.075	1	SNA
....6		AK41-01150A	PCB MAIN;BDP8-Main 3.0,FR-4,2,3,0,0.75T,	1	SNA
....6		AK61-01248A	PLATE-PD BD;SOH-BP8,SPCC,2.15t,13,7.0,SI	1	SNA
....6		AK61-01249A	PLATE-PD DVD;SOH-BP8,SPCC,1.65t,11.8,6.5	1	SNA
1		AK90-00283A	ASSY COVER FRONT-TOP;BD-F8500	1	SNA
.2	T001A	AK96-02085A	ASSY COVER P-TOP;BD-F8500,ABS+PMMA,HB,BL	1	SA
..3		AH63-02605J	SHEET-INSULATOR;BD-F8500,PP,0.43,88.0,17	1	SNA

Exploded Views and Parts List

Level	Loc.	Part Code	Description & Specification	Qty.	SA/SNA
...3	AC227	AH63-03064A	COVER-DOOR;HT-F5500/6500,ABS+PC,V0,BLACK	1	SA
...4		0103-005041	RESIN-PC;FR3200TV,901408,BK0008,1.2mm V-	16	SNA
...3	EC13	AK39-00173A	LEAD CONNECTOR;BD-F8500,Falt Connector,U	1	SA
...3	C011	AK61-00137A	SPRING ETC-DOOR;DVD-R4000,COIL,PI0.45,DV	1	SA
...3	AH240	AK61-01295A	HOLDER-FUNCTION;BD-F6500,ABS,WHT,HB,HF-0	1	SNA
...4		0103-004618	RESIN-ABS;HF-0680U,W91902,WT0034,1.5mm H	7	SNA
...3		AK63-00838J	SHEET-PROTECTION DOOR;BD-E6500,PET,0.048	150	SNA
...3	FD12	AK63-00958A	COVER-USB;BD-F5500,ABS+TPU,HB,BLACK,(HF-	1	SNA
...3	T001	AK63-00961A	COVER-TOP;BD-F8900,ABS+PMMA,HB,BLACK,SF-	1	SNA
...4		0103-007790	RESIN-ABS PMMA;SF-0505EH,G01153,BK0041,1	480	SNA
...3		AK63-00983A	SHEET-TAPE-TOUCH;BD-F5500,TAPE,0.15,CLEA	1	SNA
...3	AS078	AK63-00984A	SHEET-FUNCTION;BD-F8500,PC,1,BLACK,UV mo	1	SNA
...3		AK63-00985A	SHEET-PROTECTION.TOP;BD-F8900,PET,0.048,	431	SNA
...3		AK63-01001A	SHEET-PROTECTION-SIDE;BD-F8900,PET,0.048	1	SNA
...3		AK64-02554A	BADGE-BRAND;HT-E8200,ABS+PMMA,0.05,35	1	SNA
...3	MF06A	AK94-00662A	ASSY PCB FUNCTION;BD-F8500,BD-F6900,TOUC	1	SNA
...4		0202-001608	SOLDER-WIRE FLUX;LFC7-107,D0.8,99.3Sn/0.	0	SNA
...4		AK97-05761A	ASSY SMD;AK94-00662A	1	SNA
....5		0202-001899	SOLDER-CREAM;M705-GRN360-K2-VT,25-36um,S	0	SNA
....5		0406-001239	DIODE-TVS;RClamp0502B,6/-/V,125W,SOT-52	1	SA
....5		0406-001253	DIODE-TVS;VESD05A1-02V,6.0/6.8/7.5V,SOD-	1	SNA
....5		2007-000090	R-CHIP;10Kohm,5%,1/10W,TP,1608	1	SA
....5		2007-000119	R-CHIP;560ohm,5%,1/10W,TP,1608	4	SA
....5		2007-000124	R-CHIP;2.2Kohm,5%,1/10W,TP,1608	2	SNA
....5	AD480	2203-005005	C-CER,CHIP;100nF,10%,16V,X7R,TP,1608	1	SC
....5	AD480	2203-006391	C-CER,CHIP;1000nF,10%,10V,X7R,TP,1608	3	SNA
....5		3301-001364	BEAD-SMD;1000ohm,1608,150mA,TP,1085ohm/1	2	SNA
....5		3301-002039	BEAD-SMD;26ohm,1608,TP	1	SA
....5		3601-001376	FUSE-SURFACE MOUNT;32V,3A,FAST-ACTING,Hi	1	SNA
....5	EH01	3711-007814	HEADER-BOARD TO CABLE;BOX,4P,1R,1.25mm,S	1	SA
....5		AK11-00026A	IC MASK ROM-TOUCH SENSOR;TOUCHCORE351-ML	1	SA
....5		AK41-01166A	PCB-TOUCH;BD-F8500/F6900,CEM-3,2,00,1.6T	1	SNA
1		AK90-00285A	ASSY COVER BOTTOM;BD-F8500	1	SNA
.2	B001A	AK96-02084A	ASSY COVER P-BOTTOM;BD-F8500,SECC,0.6T	1	SNA
...3	EF01	3103-001323	FAN-DC;12V,80mA,2000RPM,0.11m^3/mi,0.62m	1	SA
...3	SCREW	6003-000275	SCREW-TAPTYPE;BH,+,B,M3,L10,ZPC(BLK),SWR	2	SA
...3	SCREW	6003-001561	SCREW-TAPTYPE;BH,+,-,B,M3,L6,ZPC(WHT),SW	1	SA
...3	RB01	AK63-00962A	COVER-BOTTOM;BD-F8900,EGI-SECC,0.6T,ROLL	1	SNA
...3		AK63-00973A	COVER-CI;BD-F8500,ABS,HB,BLACK,(HF-0680U	1	SNA
...3		AK67-00175A	RUBBER-FOOT;BD-E5400,Silicon,11pi,T2.8,R	2	SNA

Level	Loc.	Part Code	Description & Specification	Qty.	SA/SNA
1		AK91-01193A	ASSY SHIELD;BD-F8500	1	SNA
.2		6001-000742	SCREW-INCH MACH;PH,+,UNC6-32,L4.2,ZPC(WH	4	SA
.2	SCREW	6003-000275	SCREW-TAPTYPE;BH,+,B,M3,L10,ZPC(BLK),SWR	5	SA
.2	SCREW	6003-001561	SCREW-TAPTYPE;BH,+,-,B,M3,L6,ZPC(WHT),SW	11	SA
.2	WIFI	AH96-02629A	ASSY PCB P-NETWORK;BN59-01161A,WiFi NETW	1	SNA
..3	NW01	BN59-01161A	NETWORK;WIDT-30Q,Internal WiFi,USB,IEEE8	1	SA
.2	STCAB	AK39-00172A	LEAD CONNECTOR-SATA CABLE;BD-F8500,S-ATA	1	SA
.2	EC13	AK39-00174A	LEAD CONNECTOR;BD-F8500,Falt Connector,U	1	SA
.2	P001A	AK44-00017A	DC VSS-AV BDP SMPS;V50S_DPN,V50S_DPN,AC/	1	SA
.2	CB04	AK61-01303A	BRACKET-GUIDE;BD-F8500,SECC,3,4,6,WHT	4	SNA
.2	H0014	AK94-00671A	ASSY PCB S-HDD;BD-F8500,SEAGATE 500GB	1	SNA
..3	EH01	AK59-00108A	HDD;500G,ST3500312CS,63/track,16,16,383,	1	SA
.2		AK96-02161A	ASSY BRACKET P-HDD;BD-F8500,XEF,ASSY	1	SNA
..3	CB05	AK61-01301A	BRACKET-HDD;BD-F8500,SECC,T0.8,183.5,105	1	SNA
..3	C701	AK73-00028A	RUBBER-HDD;DVD-HR800/XAA,SILICON,BUTHYL	4	SNA
1	M0017	AK91-01200A	ASSY CHASSIS;BD-F8500	1	SNA
.2	M0014	AK94-00656A	ASSY PCB MAIN;BD-F8500,MAIN PCB ASSY	1	SA
..3		AK97-05737A	ASSY SMD;BD-F8500,MAIN PCB ASSY,AK94-006	1	SNA
...4	DS01A	0401-000008	DIODE-SWITCHING;DAN217,80V,100MA,SOT-23,	1	SA
...4		0404-001084	DIODE-SCHOTTKY;BAT54A,30V,200mA,SOT-23,T	1	SA
...4		0406-001203	DIODE-TVS;uClamp3301H,3.5/3.9/4.6V,40W,S	1	SA
...4		0406-001239	DIODE-TVS;RClamp0502B,6/-V,125W,SOT-52	2	SA
...4		0406-001271	DIODE-TVS;RCLAMP0524P,6/-V,150W,SLP251	2	SNA
...4		0406-001395	DIODE-TVS;AOZ8802ADI,6/-V,DFN-6	1	SA
...4		0504-000126	TR-DIGITAL;KSR1101,NPN,200mW,4.7K/4.7Koh	2	SA
...4		0504-000129	TR-DIGITAL;KSR1104,NPN,200mW,47K/47Kohm,	1	SA
...4		0504-000156	TR-DIGITAL;KSR2103,PNP,200MW,22K/22K,SOT	1	SA
...4		0505-000110	FET-SILICON;2N7002,N,60V,115mA,7.5ohm,0.	2	SA
...4		0505-001089	FET-SILICON;AO3409L,P,-30V,-2.6A,0.097/0	1	SA
...4		0505-001377	FET-SILICON;BSN20,N,50V,100mA,15ohm,0.83	1	SA
...4		0505-002598	FET-SILICON;AP2317GN,P,-20V,-4.2A,0.052o	2	SA
...4		0801-002095	IC-CMOS LOGIC;74LCX245,TRANSCEIVER,TSSOP	1	SA
...4		0801-002630	IC-CMOS LOGIC;74AHCT1G08,2-INPUT AND GAT	1	SA
...4		0801-003330	IC-CMOS LOGIC;Octal buffer,DQFN,20P,4.5x	2	SA
...4		0904-002714	IC-USC;QFN,28P,5.0mm X 5.0mm,12MHz,TP,PL	1	SA
...4		1003-002494	IC-MOTOR DRIVER;TPIC2050,SOP,56Z30,14x6.	1	SA
...4		1103-001564	IC-EEPROM;S-24C512CI-J800,512Kbit,64Kx8,	1	SA
...4		1105-002252	IC-DDR3 SDRAM;K4B2G0846C-HCK0,DDR3 SDRAM	2	SA
...4		1105-002442	IC-DDR3 SDRAM;K4B2G1646E-BCK0,DDR3 1600,	1	SNA
...4		1203-004363	IC-VOL. DETECTOR;SOT-23,3Z30,2.9x1.6mm,P	1	SA

Exploded Views and Parts List

Level	Loc.	Part Code	Description & Specification	Qty.	SA/SNA
...4		1203-006067	IC-POWER SUPERVISOR;TPS2553DBVR,SOT-23,6	1	SNA
...4		1203-006133	IC-POS.LADJUST REG.;AP1117D-25-GZ-13-89,	1	SA
...4		1203-006167	IC-POS.LFIXED REG.;S-1172B12-U5T1G,SOT-8	1	SA
...4		1203-006455	IC-DC/DC CONVERTER;TPS65251RHAR,QFN,40P,	1	SA
...4		1203-006606	IC-DC/DC CONVERTER;AOZ1036PI,SO-8,8P,4.8	1	SNA
...4		1203-007242	IC-POS.LADJUST REG.;G2992BP11U,SOP-8,8P,	1	SA
...4		1204-003415	IC-VIDEO PROCESS;SDP1207,PBGA,522Z30,23x	1	SNA
...4		1205-003834	IC-ETHERNET CONTROLLER;RTL8201E-VC-GRT,Q	1	SA
...4		1205-004447	IC-SWITCH;TPS2051CDBVR,SOT23-5,5P,3x1.65	2	SA
...4		1205-004692	IC-SWITCH;TPS2069CDBVR,SOT-23,8Z30,5.0x3	1	SNA
...4		1205-004699	IC-CLOCK GENERATOR;IDT5V41129PGG8,TSSOP,	1	SA
...4		2007-000070	R-CHIP;0ohm,5%,1/10W,TP,1608	5	SA
...4		2007-000074	R-CHIP;100ohm,5%,1/10W,TP,1608	4	SA
...4		2007-000078	R-CHIP;1Kohm,5%,1/10W,TP,1608	3	SA
...4		2007-000082	R-CHIP;3.3Kohm,5%,1/10W,TP,1608	1	SNA
...4		2007-000090	R-CHIP;10Kohm,5%,1/10W,TP,1608	1	SA
...4		2007-000101	R-CHIP;82Kohm,5%,1/10W,TP,1608	1	SA
...4		2007-000103	R-CHIP;120Kohm,5%,1/10W,TP,1608	2	SA
...4		2007-000108	R-CHIP;510Kohm,5%,1/10W,TP,1608	1	SA
...4		2007-000113	R-CHIP;33ohm,5%,1/10W,TP,1608	2	SA
...4		2007-000123	R-CHIP;1.5Kohm,5%,1/10W,TP,1608	1	SA
...4		2007-000124	R-CHIP;2.2Kohm,5%,1/10W,TP,1608	2	SNA
...4		2007-000137	R-CHIP;2Kohm,5%,1/16W,TP,1005	11	SA
...4		2007-000143	R-CHIP;4.7Kohm,5%,1/16W,TP,1005	40	SA
...4		2007-000146	R-CHIP;6.8Kohm,5%,1/16W,TP,1005	2	SA
...4		2007-000148	R-CHIP;10Kohm,5%,1/16W,TP,1005	43	SA
...4		2007-000155	R-CHIP;27Kohm,5%,1/16W,TP,1005	1	SNA
...4		2007-000168	R-CHIP;470Kohm,5%,1/16W,TP,1005	2	SNA
...4		2007-000170	R-CHIP;1Mohm,5%,1/16W,TP,1005	1	SA
...4		2007-000171	R-CHIP;0ohm,5%,1/16W,TP,1005	9	SNA
...4		2007-000219	R-CHIP;1.2Kohm,1%,1/10W,TP,1608	1	SA
...4		2007-000463	R-CHIP;18ohm,5%,1/10W,TP,1608	1	SA
...4		2007-000929	R-CHIP;470ohm,1%,1/10W,TP,1608	1	SNA
...4		2007-001116	R-CHIP;680ohm,1%,1/10W,TP,1608	1	SA
...4		2007-001292	R-CHIP;33ohm,5%,1/16W,TP,1005	137	SA
...4		2007-001325	R-CHIP;3.3Kohm,5%,1/16W,TP,1005	1	SA
...4		2007-001342	R-CHIP;2Mohm,5%,1/10W,TP,1608	1	SA
...4		2007-002425	R-CHIP;1ohm,5%,1/10W,TP,1608	9	SNA
...4		2007-002437	R-CHIP;2ohm,5%,1/10W,TP,1608	2	SNA
...4		2007-007107	R-CHIP;100Kohm,1%,1/16W,TP,1005	4	SNA

Level	Loc.	Part Code	Description & Specification	Qty.	SA/SNA
...4		2007-007133	R-CHIP;300ohm,1%,1/16W,TP,1005	1	SA
...4		2007-007134	R-CHIP;39Kohm,1%,1/16W,TP,1005	1	SA
...4		2007-007139	R-CHIP;47Kohm,1%,1/16W,TP,1005	10	SA
...4		2007-007142	R-CHIP;10Kohm,1%,1/16W,TP,1005	12	SA
...4		2007-007306	R-CHIP;100ohm,1%,1/16W,TP,1005	13	SNA
...4		2007-007309	R-CHIP;12Kohm,1%,1/16W,TP,1005,0.35	1	SA
...4		2007-007310	R-CHIP;8.2Kohm,1%,1/16W,TP,1005	1	SA
...4		2007-007312	R-CHIP;20Kohm,1%,1/16W,TP,1005	2	SA
...4		2007-007318	R-CHIP;1Kohm,1%,1/16W,TP,1005	9	SNA
...4		2007-007334	R-CHIP;200Kohm,1%,1/16W,TP,1005	1	SA
...4		2007-007470	R-CHIP;7.5Kohm,1%,1/16W,TP,1005	2	SNA
...4		2007-007491	R-CHIP;11.3Kohm,1%,1/16W,TP,1005	2	SA
...4		2007-007517	R-CHIP;240ohm,1%,1/16W,TP,1005	4	SNA
...4		2007-007538	R-CHIP;56Kohm,1%,1/16W,TP,1005	2	SA
...4		2007-007587	R-CHIP;3.6Kohm,1%,1/16W,TP,1005	2	SNA
...4		2007-007617	R-CHIP;2.49Kohm,1%,1/10W,TP,1608	1	SA
...4		2007-007767	R-CHIP;200ohm,1%,1/16W,TP,1005	1	SA
...4		2007-007868	R-CHIP;90.9ohm,1%,1/10W,TP,1608	2	SA
...4		2007-007981	R-CHIP;180Kohm,1%,1/16W,TP,1005	1	SNA
...4		2007-008263	R-CHIP;3Kohm,1%,1/16W,TP,1005	1	SA
...4		2007-008293	R-CHIP;475ohm,1%,1/16W,TP,1005	1	SA
...4		2007-008298	R-CHIP;49.9ohm,1%,1/16W,TP,1005	4	SA
...4		2007-008300	R-CHIP;5.11Kohm,1%,1/16W,TP,1005	1	SA
...4		2007-008593	R-CHIP;750ohm,1%,1/16W,TP,1005	1	SA
...4		2007-009120	R-CHIP;24.9Kohm,1%,1/16W,TP,1005	1	SA
...4		2007-010849	R-CHIP;60.4ohm,1%,1/16W,TP,1005	28	SNA
...4	AD480	2203-000138	C-CER,CHIP;1.5nF,10%,50V,X7R,TP,1005	1	SA
...4	AD480	2203-000278	C-CER,CHIP;0.01nF,0.5pF,50V,C0G,TP,1005	3	SA
...4	AD480	2203-000330	C-CER,CHIP;0.012nF,5%,50V,C0G,TP,1005	2	SA
...4	AD480	2203-000386	C-CER,CHIP;0.015nF,5%,50V,C0G,TP,1005	6	SA
...4	AD480	2203-000425	C-CER,CHIP;0.018nF,5%,50V,C0G,TP,1005	2	SA
...4	AD480	2203-000550	C-CER,CHIP;0.02nF,5%,50V,C0G,TP,1005	2	SNA
...4	AD480	2203-000975	C-CER,CHIP;47nF,10%,25V,X7R,TP,1608	3	SNA
...4	AD480	2203-002711	C-CER,CHIP;100nF,10%,25V,X7R,TP,1608	7	SA
...4	AD480	2203-005968	C-CER,CHIP;4.7nF,10%,50V,X7R,TP,1005,0.5	9	SNA
...4	AD480	2203-006048	C-CER,CHIP;100nF,10%,10V,X7R,TP,1005	216	SA
...4	AD480	2203-006361	C-CER,CHIP;1000nF,10%,10V,X5R,TP,2012	18	SC
...4	AD480	2203-006399	C-CER,CHIP;1000nF,10%,6.3V,X5R,TP,1005	7	SA
...4	AD480	2203-006474	C-CER,CHIP;2200nF,20%,6.3V,X5R,TP,2012	20	SA
...4	AD480	2203-006562	C-CER,CHIP;1000nF,10%,10V,X5R,TP,1005	7	SA

Exploded Views and Parts List

Level	Loc.	Part Code	Description & Specification	Qty.	SA/SNA
...4	AD480	2203-006698	C-CER,CHIP;1000nF,10%,25V,X7R,TP,1608,0.	3	SNA
...4	AD480	2203-006890	C-CER,CHIP;10000nF,20%,6.3V,X5R,TP,1608	36	SA
...4	AD480	2203-007306	C-CER,CHIP;10000nF,10%,25V,X5R,TP,2012,1	12	SNA
...4		2703-003713	INDUCTOR-SMD;1.5uH,20%,7366,0.015ohm,700	1	SA
...4		2703-003790	INDUCTOR-SMD;4.7uH,20%,8080,0.025ohm,450	1	SA
...4		2703-003930	INDUCTOR-SMD;4.7uH,20%,5050,0.072Ohm,245	2	SA
...4		2801-003948	CRYSTAL-SMD;12MHz,30ppm,28-AAN,12pF,60oh	2	SA
...4		2801-004655	CRYSTAL-SMD;25MHz,50ppm,SX-3,18pF,25ohm,	1	SA
...4		2801-004913	CRYSTAL-SMD;24MHz,10ppm,SX-1,12pF,30ohm,	1	SNA
...4		2801-004932	CRYSTAL-SMD;25MHz,30ppm,SMD,12pF,40ohm,T	2	SA
...4		2901-001506	FILTER-EMI SMD;5V,0.13A,0pF,2x1x0.5mm,TP	2	SA
...4		3301-002039	BEAD-SMD;26ohm,1608,TP	16	SA
...4		3601-001374	FUSE-SURFACE MOUNT;32V,5A,FAST-ACTING,PL	1	SA
...4		3701-001792	CONNECTOR-HDMI;19P,2ROW,FEMALE,ANGLE,AU	1	SA
...4		3707-001103	CONNECTOR-OPTICAL;ANGLE-TX	1	SA
...4		3708-001837	CONNECTOR-FPC/FFC/PIC;15P,1mm,SMD-S,SN,N	1	SA
...4		3708-002908	CONNECTOR-FPC/FFC/PIC;40P,0.5mm,SMD-S,0.	1	SA
...4		3709-001640	CONNECTOR-CARD SLOT;68P(U/S) W/L,1.27mm,	1	SC
...4	EH01	3711-006043	HEADER-BOARD TO CABLE;BOX,4P,1R,2mm,SMD-	1	SA
...4		3711-006947	CONNECTOR-HEADER;1WALL,7P,1R,1.27mm,STRA	1	SNA
...4	EH01	3711-007840	HEADER-BOARD TO CABLE;BOX,5P,1R,1.25mm,S	1	SA
...4		3711-008135	HEADER-BOARD TO BOARD;NOWALL,16P,1R,2.5m	1	SA
...4		3722-003397	JACK-MODULAR;8P/8C,Yes,ANGLE-DIP,W/O,AU,	1	SA
...4		AK11-00027B	IC MASK ROM-FRONT MICOM;M058LBN-1,BD-F85	1	SA
...4	ET01	AK40-00058A	TUNER;GTCQ-11X2S/C3-D5S,GTCQ-11X2S/C3-D5	1	SA
...4		AK41-01167A	PCB MAIN;BD-F8900,FR-4,4,00,1.2,168 X 14	1	SNA
...4		AK97-05747A	ASSY MICOM-FLASH;BD-F8500	1	SNA
...5		1107-002204	IC-FLASH MEMORY;MTFC2GMVEA-0M WT,2GByte,	1	SNA
...4		AK97-05803A	ASSY MICOM-LOADER;BD-F8500	1	SNA
...5		0903-001813	IC-MICROCONTROLLER;SC7501,LQFP(NON-EPAD)	1	SNA
...3		AK97-05776A	ASSY DRM-KEY,BD-F8500;BD-F8500,FOX-B,ASS	1	SNA
...4		AK46-00186A	KEY CODE;BD-F8500,FOX-B,PACK,AV	1	SNA
...4		AK46-00187A	KEY CODE-CERTIFI;CI+,AV,FOX-B,BD-F8500/F	1	SNA
...4		BN46-00109H	KEY CODE-CERTIFI;MAC,TV/AV,General	1	SNA
...3		BN62-00103A	HEAT SINK-ES;LH46LBTLC/ZA,A6063,40*40*1	1	SNA
...2	MF01A	AK94-00657A	ASSY PCB FRONT;BD-F8500	1	SA
...3		0202-001463	SOLDER-WIRE;LFC2-W3.0,-,D3,99.79Sn/0.2Cu	0	SNA
...3		0202-001608	SOLDER-WIRE FLUX;LFC7-107,D0.8,99.3Sn/0.	0	SNA
...3		0204-002420	SOLVENT;1M-1000,C3H7OH,96	0	SNA
...3		0204-002607	FLUX;DF-234U,13%,14KG,Gravity 0.82	1	SNA

Level	Loc.	Part Code	Description & Specification	Qty.	SA/SNA
..3		0609-001203	MODULE REMOCON;VERTICAL,15mm,TR,0.89g	1	SA
..3	AF020	AH63-02257C	FILTER-VFD;HT-F5500/6500,PC,T0,5,VIOLET,	1	SNA
..3	EV01	AK07-00085A	VF DISPLAY;007BT319IN,BD-F8500,78.4X16.2	1	SA
..3	AH410	AK61-01297A	HOLDER-VFD;BD-F8500,ABS,BLACK,HB,HF-0680	1	SNA
..4		0103-004609	RESIN-ABS;HF-0680U,K21294,BK0007,1.5mm H	10	SNA
..3	FL06	AK96-02080B	ASSY CABLE P-FFC;BD-F8500,FFC,HS12-P1018	1	SA
..3		AK97-05748A	ASSY SMD;AK94-00657A	1	SNA
..4		0202-001899	SOLDER-CREAM;M705-GRN360-K2-VT,25-36um,S	0	SNA
..4		0403-001779	DIODE-ZENER;MMSZ5234BT1G,5.89/6.51V,500m	1	SA
..4		0406-001253	DIODE-TVS;VESD05A1-02V,6.0/6.8/7.5V,SOD-	1	SNA
..4		2007-000071	R-CHIP;22ohm,5%,1/10W,TP,1608	1	SA
..4		2007-000072	R-CHIP;47ohm,5%,1/10W,TP,1608	1	SNA
..4		2007-000102	R-CHIP;100Kohm,5%,1/10W,TP,1608	1	SA
..4		2007-000309	R-CHIP;10ohm,5%,1/10W,TP,1608	2	SA
..4		2007-000775	R-CHIP;33Kohm,5%,1/16W,TP,1005	1	SNA
..4	AD480	2203-000438	C-CER,CHIP;1nF,10%,50V,X7R,TP,1005	1	SA
..4	AD480	2203-002285	C-CER,CHIP;10nF,10%,50V,X7R,TP,1005	1	SNA
..4	AD480	2203-005083	C-CER,CHIP;220nF,10%,50V,X7R,TP,1608,0.8	2	SA
..4	AD480	2203-006158	C-CER,CHIP;100nF,10%,16V,X7R,TP,1005,0.5	1	SA
..4	AD480	2203-007269	C-CER,CHIP;22000nF,20%,10V,X5R,TP,2012,0	4	SNA
..4	AD480	2203-007513	C-CER,CHIP;10000nF,10%,10V,X5R,TP,1608,0	2	SA
..4		3601-001376	FUSE-SURFACE MOUNT;32V,3A,FAST-ACTING,Hi	1	SNA
..4		3708-002603	CONNECTOR-FPC/FFC/PIC;22P,1mm,SMD-S,SN,N	1	SNA
..4	EH01	3711-008101	HEADER-BOARD TO CABLE;BOX,4P,1R,1.25mm,S	1	SA
..4		3722-003012	JACK-USB;4P,AU+NI,BLK,SMD-A,USB A	1	SA
..4		AK41-01165A	PCB-VFD;BD-F8500,CEM-3,2,00,1.6T,192X235	1	SNA
1	ACCE1	AK92-02330B	ASSY ACCESSORY;BD-F8500	1	SNA
.2	T0268	3903-000525	CBF-POWER CORD;DT,CEE,LP-21L,250V,2.5A,B	1	SA
.2	REMO2	AK59-00164A	REMOCON;TM1251,55,3.0V,BD-F9500, BD-F850	1	SA
.2		AK96-02078B	ASSY ACCESSORY MANUAL;BD-F8500,IB,CARD,Z	1	SNA
..3		4301-000121	BATTERY-MN;1.5V,R03,10.5x44.5m,HOLDER,7.	2	SNA
..3		6902-000286	BAG PE;LDPE,T0.03,W200,L300,TRP,28,2	1	SNA
..3	ACCE	AC39-00017A	CABLE-ETC-RF(PAL);SV-623X	1	SC
..3		AK68-02350A	MANUAL USERS;BD-F8900,4Langs,ZF,W/P 70,W	1	SNA
1		AK92-02337A	ASSY LABEL;BD-F8500	1	SNA
.2		AK68-02233C	LABEL RATING;BD-E,XS,KR,RU,ZW,ART PAPER,	1	SNA
.2		AK68-02361G	LABEL-POP STICKER;BD-F8500/ZF,ART PAPER*	1	SNA
1		AK92-02344A	ASSY BOX;BD-F8500	1	SNA
.2	L-BARC	AH68-00371A	LABEL-BAR CODE;ALL,ALL,ART PAPER,0.1,80,	1	SNA
.2		AH68-02519A	LABEL-BD PRODUCT;HT-E5500/ZA,SEA,PAPER,W	1	SNA

Exploded Views and Parts List

Level	Loc.	Part Code	Description & Specification	Qty.	SA/SNA
.2		AK69-01244F	BOX-01,SET;BD-F8500/ZF,CB,A1,SW2,B-Flute	1	SNA
1		AK92-02351A	ASSY P/MATERIAL;BD-F8500	1	SNA
.2		AK63-00435N	SHEET-NITRON;HDPE/NITRON,0.3,W450,L630,W	1	SNA
.2		AK69-01239A	CUSHION EPS;BD-F8900,EPS,16.7g/l	1	SNA
.2	T0527	BH68-40364A	LABEL-SUMMARY;G52,G72,ART,100G,WHT,BLK,W	1	SNA
.2		BN63-08890S	COVER-SHEET NITRON;LE37D550,PE,T2.0,1190	1	SNA
.2		BN63-09096A	COVER-PALLET FOIL;32D550,PE,T0.03,2000,2	1	SNA
.2	T0527	BN68-00129A	LABEL SHIPPING-00;LABEL SHIPPING,ART-PAP	1	SNA
.2		BN69-00257B	PACKING-PAD;PAPER,CB-SW4,1130,820,300g,Y	1	SNA
.2		BN69-04045A	PAD PACKING-EDGE;CB,B800,W50x50,L2400,YE	1	SNA
.2		BN69-05929A	WRAP STRETCH FILM;All,LDPE,0.0066,440,40	1	SNA
.2		BN69-07254B	PALLET-WOODEN;WOOD,980,1140,130,18%	1	SNA
.2		BN74-00008E	TAPE-OPP MASKING;OPP,T0.05,W75,L400M,CLR	1	SNA
.2		BN81-02321A	BAG-AIR;LIGHT FLEX PLASTIK,PE WHITE,L120	1	SNA