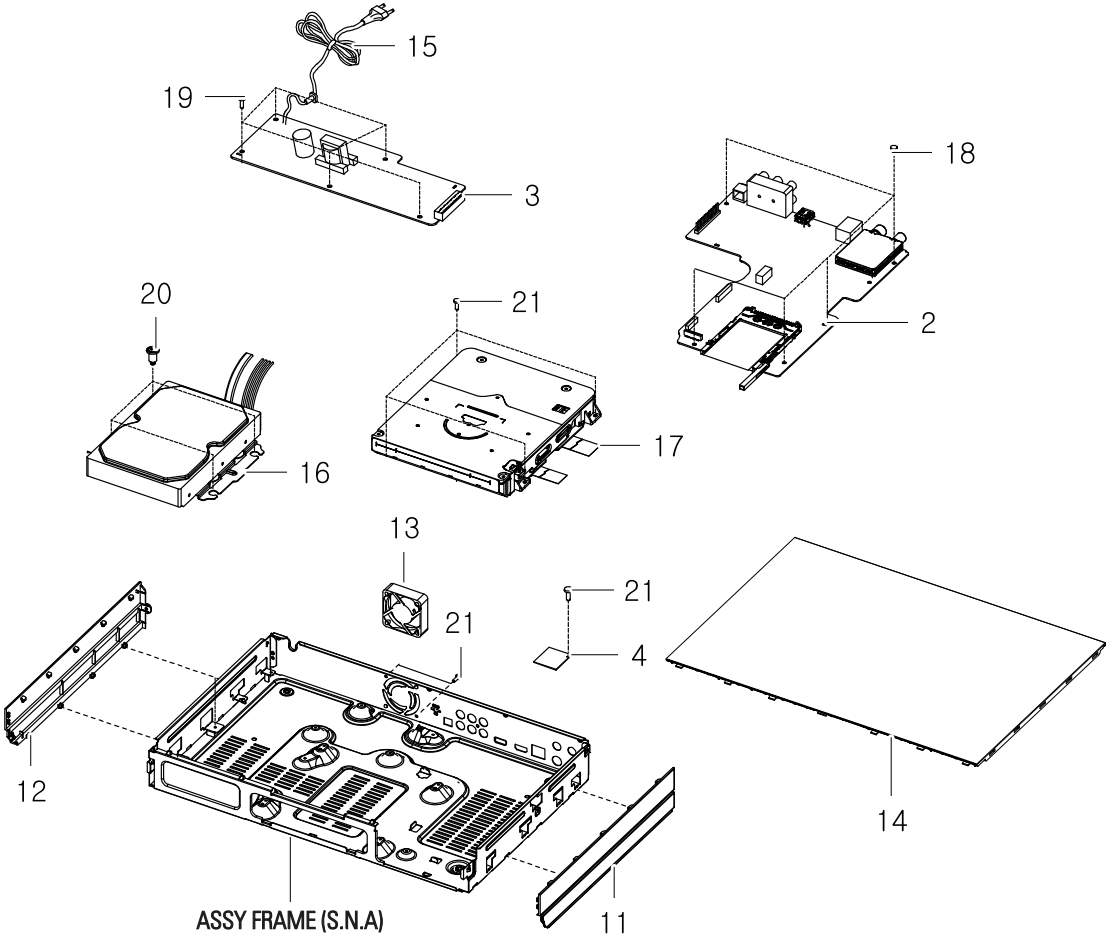
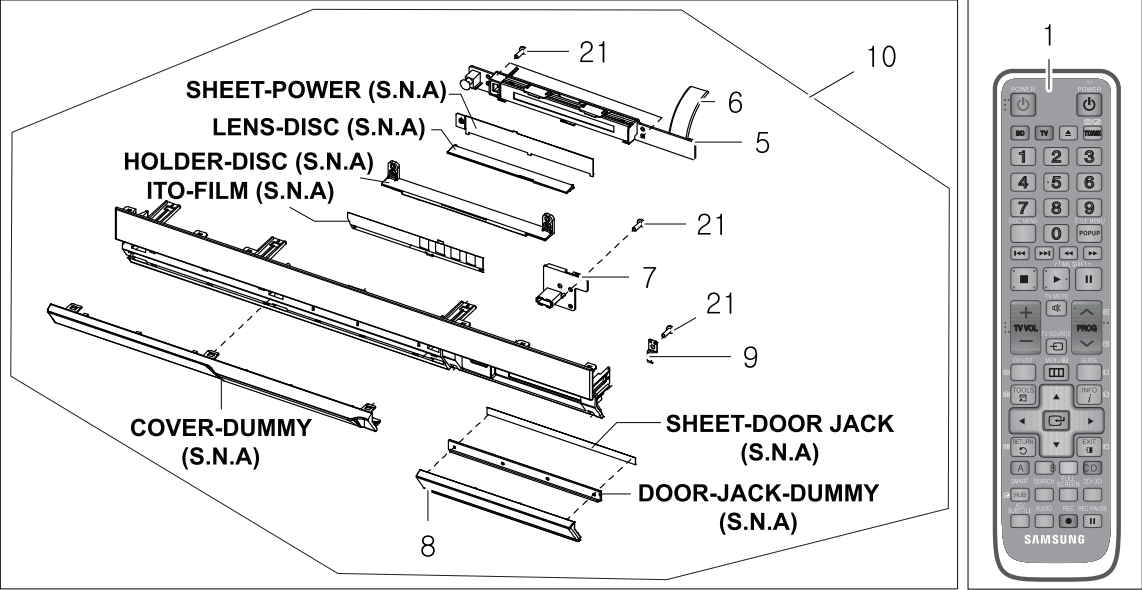


1. Cabinet Assembly

Exploded View



● S.N.A.: Service Not Available



Parts List

No.	Parent	Lvl	Loc.	Material Code	Description & Specification	SNA
1	AK92-02094J	2	REMO2	AK59-00119A	REMOCON; TM1151,MULTI,55,3V,BD-D6800,D820	SA
10	AK90-00172A	2	F001A	AK96-01538H	ASSY COVER P-FRONT; BD-D8200_BD-D8500,ZG,	SA
11	AK91-01100A	2		AK96-01691A	ASSY COVER P-SIDE R; BD-D8900_8500_8200,Z	SA
12	AK91-01100A	2	FC04A	AK96-01690A	ASSY COVER P-SIDE L; BD-D8900_8500_8200,Z	SA
13	AK96-01541B	3	T0286	3103-001212	FAN-DC; 12,80mA,2000rpm,0.11m^3/mi,0.62mm	SA
14	AK90-00172A	2	T001A	AK96-01540A	ASSY COVER P-TOP; BD-D8500,XEF,ASSY,BLK,H	SA
15	AK91-01100A	2	T0268	AC39-10019A	CBF-POWER CORD; AT,CP2,HOUING(2P),250V,2.	SA
16	AK94-00397A	3	EH01	AK59-00106A	HDD; 250G,ST3250312CS,63/track,16,16,383,	SA
17	AK90-00152A	2	D001A	AK96-01579A	ASSY DECK P; BD-D6500,D6700,D6900,MOLD,H/	SA
18	AK91-01100A	2	M0081	6003-001023	SCREW-TAPTYPE; PWH,+,-,B,M3,L10,ZPC(WHT),	SA
19	AK91-01100A	2	W275	6003-001561	SCREW-TAPTYPE; BH,+,-,B,M3,L6,ZPC(WHT),SW	SA
2	AK91-01096A	2	M0014	AK94-00456A	ASSY PCB MAIN; BD-D8500/ZF,MAIN PCB ASSY	SA
20	AK91-01100A	2	W336	6001-000742	SCREW-INCH MACH; PH,+,UNC6-32,L4.2,ZPC(WH	SA
21	AK91-01100A	2	W391	6003-000275	SCREW-TAPTYPE; BH,+,B,M3,L10,ZPC(BLK),SWR	SA
3	AK91-01096A	2	P001A	AK94-00461A	ASSY PCB SMPS; BD-D8700,XF,SMPS ASSY	SA
4	AK91-01096A	2	NW01	BN59-01130B	NETWORK; WiDT-10A,BCM43236,Internal WiFi,	SA
5	AK96-01538H	3		AK94-00463A	ASSY PCB FRONT-VFD; BD-D8700,XF,VFD	SA
6	AK96-01538H	3	FL06	3809-002717	FFC CABLE-FLAT; 60V,105,90mm,15P,1mm,AWM	SA
7	AK96-01538H	3		AK94-00462B	ASSY PCB S-USB; BD-D8500,ZF,USB ASSY	SA
8	AK96-01721A	4	FD19	AK64-02536A	DOOR-JACK; BD-D8500,ABS+PMMA,Black,Hot st	SA
9	AK96-01721A	4	FD10	AK64-02538A	DOOR-LOCK; BD-D8500,SUS416,T0.2	SA

2. Electrical Parts List

Level	Location	Part Code	Description & Specification	Qty.	SA/SNA
			BD-D8200/XN (JE02)		
1	D001A	AK90-00152A	ASSY DECK;BD-D6500, D6700,MOLD BASE,25mm	1	SNA
2	D001A	AK96-01579A	ASSY DECK P;BD-D6500,D6700,D6900,MOLD,H/	1	SA
..3	W012	6002-001086	SCREW-TAPPING;PH,+,B,M1.7,L5.0,ZPC(WHT),	1	SA
..3	SCW25	6003-001742	SCREW-TAPTYPE;CH,+,B,M2,L5,ZPC(WHT),SWRC	4	SA
..3		AK96-01475A	ASSY PICK UP P;SOH-BP7	1	SNA
...4	S.N.A	0201-000169	ADHESIVE-CYA;ARCN-A501F,NTR	0	SNA
...4	S.N.A	0201-001081	ADHESIVE-AA;1401C,RED,-,BOND-LOCK SCREW	0	SNA
...4	S.N.A	0201-001525	ADHESIVE-UV;8840L,YEL,TRANS,23000,DISCMA	0	SNA
...4	S.N.A	0201-001709	ADHESIVE-UV;8839L,YEL,24500mPa.s,-	0	SNA
...4	S.N.A	0201-001819	ADHESIVE-UV;8833M,YELLOW,21000mPas,89%(H	0	SNA
...4		0201-002088	ADHESIVE-UV;IM127S,YEL,13000mPa.s,1mmt,	0	SNA
...4		0202-001618	SOLDER-WIRE FLUX;LFA3-107,D0.5,96.5Sn/3.	0	SNA
...4		AK63-00718A	COVER-ACT;SOH-BP7,STAINLESS-ST304,0.2T,	1	SNA
...4		AK67-00050A	LENS-OL DVD CD;SOH-BP1,PLASTIC,NTR,PI3.8	1	SNA
...4		AK67-00099A	LENS-BD OL;VS3504/VDP10V4,Plastic,NTR,Pi	1	SNA
...4		AK68-01760A	LABEL-STICKER;SOH-BP5,0.1,10,15,WHITE	1	SNA
...4		AK96-01477A	ASSY PICK UP P-OPT;SOH-BP7	1	SNA
....5	S.N.A	0201-001525	ADHESIVE-UV;8840L,YEL,TRANS,23000,DISCMA	0	SNA
....5	S.N.A	0201-001709	ADHESIVE-UV;8839L,YEL,24500mPa.s,-	0	SNA
....5	S.N.A	0201-001819	ADHESIVE-UV;8833M,YELLOW,21000mPas,89%(H	0	SNA
....5		0205-001226	GREASE;FLOIL KG-513,WHT,1KG	0	SNA
....5		0602-001172	DIODE-LASER;25mW,2V,405nm,TR	1	SNA
....5		0602-001182	DIODE-LASER;6mW,2V,655nm,TP	1	SNA
....5	W376	6001-000805	SCREW-MACHINE;CH,+,-,M1.7,L3,NI PLT,SWRC	5	SNA
....5	W291	6001-001155	SCREW-MACHINE;PH(PI2.5),+,M1.4,L3.5,ZPC(1	SNA
....5		AK31-00048A	MOTOR STEP-CLD;SOH-BP7,3V,25~35,3V,-10 ~	1	SNA
....5		AK61-00742A	SPRING ETC-DVD GT;SOH-DR4,Cu,2.8,5.6,5.6	1	SNA
....5		AK61-00830A	HOLDER-GT BD;SOH-BP4,Zn,T1.85,D5.6,GRY	1	SNA
....5		AK61-00874A	SPRING ETC-PBS BD;SOH-BP5,SUS,0.15,SILBE	1	SNA
....5	ES02	AK61-00974A	SPRING ETC-DVD LD;SOH-SBP2,SUS301,3.7,0.	1	SA
....5		AK61-00997A	SPRING ETC-CLD;SOH-BP6,SUS304,0.11,1.6,1	1	SNA
....5		AK61-01059A	BASE-PICK UP;SOH-BP7,PPS(FZ-3805 S2),BLA	1	SNA
....5		AK61-01060A	HOLDER-LD BD;SOH-BP7,Zn,15.2,7.3,GRAY	1	SNA
....5		AK61-01061A	HOLDER-CL;SOH-BP7,PPS(FZ-3805 S2),27.0,1	1	SNA
....5		AK61-01072A	HOLDER-LD/GT;SOH-BP7,Zn,6,8.6,GRAY	1	SNA
....5		AK61-01073A	SPRING ETC-PBS DVD;SOH-BP7,SUS 304 0.15t	1	SNA
....5		AK61-01075A	SPRING ETC-DVD HOLDER;SOH-BP7,SUS 304,11	1	SNA

Exploded Views and Parts List

Level	Location	Part Code	Description & Specification	Qty.	SA/SNA
....5		AK63-00518A	COVER-FPCB;SOH-BP4,SUS304,T0.15,W3.2,L13	1	SNA
....5	SNA	AK63-00717A	COVER-BASE;SOH-BP7,STAINLESS-ST304,0.2t	1	SNA
....5		AK66-00077A	SHAFT-SUB CLD;SOH-BP1,SUS304,12.5,PI1.2,	1	SNA
....5		AK66-00202A	SHAFT-MAIN CLD;SOH-BP7,SUS304,25,1.2,SIL	1	SNA
....5		AK67-00044A	LENS-CL DVD;SOH-BP1,PLASTIC,NTR,PI5.2,1.	1	SNA
....5		AK67-00094A	LENS-BD GT;Grating,B270,None,3.0*2.5,1.0	1	SNA
....5		AK67-00095A	LENS-PBS BD;SOH-BP5,GLS,WHT,6.2*5.0,1.5	1	SNA
....5		AK67-00110A	LENS-BD QWP;BD QWP,Plastic,WHT,4.0*4.0,0	1	SNA
....5		AK67-00129A	LENS-BD MR;BDP7 BD MR,B270,WHT,6.0*5.8,1	1	SNA
....5	SNA	AK67-00130A	LENS-CD GT;BDP7 CD GT,B270,WHT,3.0*3.3,1	1	SNA
....5		AK67-00131A	LENS-DVD PBS;BDP7 DVD PBS,B270,WHT,9.0*5	1	SNA
....5		AK67-00132A	LENS-DVD MR;BDP7 DVD MR,B270,WHT,4.7*5.5	1	SNA
....5		AK67-00133A	LENS-DVD PLATE;BDP7 DVD PLATE,B270,WHT,3	1	SNA
....5		AK67-00134A	LENS-BD CL;BDP7 BD CL,Z340R,WHT,4.4*5.3,	1	SNA
....5		AK67-00135A	LENS-BD ASL;BDP7 BD ASL,Z340R,WHT,Pi 2.4	1	SNA
....5		AK96-01498A	ASSY PICK UP P-PCB;SOH-BP7	1	SNA
....6		0201-001988	ADHESIVE-AA;EX-0136,WHT,20000-40000mPa.s	0	SNA
....6		0202-001477	SOLDER-CREAM;LST309-M,D20~45um,96.5Sn/3A	0	SNA
....6		0603-001257	PHOTO-RECEIVER;6V,650nm	1	SNA
....6		0603-001259	PHOTO-RECEIVER;5.7V,405nm	1	SNA
....6	KAR21	2007-000070	R-CHIP;0ohm,5%,1/10W,TP,1608	1	SA
....6	CER04	2007-000084	R-CHIP;4.7Kohm,5%,1/10W,TP,1608	1	SA
....6	R105	2007-000138	R-CHIP;100ohm,5%,1/16W,TP,1005	1	SA
....6	AHR38	2007-000381	R-CHIP;13Kohm,5%,1/10W,TP,1608	1	SA
....6	R16	2007-001313	R-CHIP;330ohm,5%,1/16W,TP,1005	1	SA
....6	HR10	2007-001320	R-CHIP;1.8Kohm,5%,1/16W,TP,1005	1	SA
....6		2007-007830	R-CHIP;14Kohm,1%,1/10W,TP,1608	1	SA
....6	ND51C2	2104-001087	VR-SMD;2.2Kohm,25%,0.15W,TP	2	SNA
....6	S.N.A	2104-001125	VR-SMD;1KOHM,25%,1/10W,TP	1	SNA
....6	VC37	2203-006048	C-CER,CHIP;100nF,10%,10V,X7R,TP,1005	3	SA
....6	AD480	2203-006399	C-CER,CHIP;1000nF,10%,6.3V,X5R,1005	4	SA
....6	S.N.A	3301-001808	BEAD-SMD;120ohm,1005,TP,530ohm/390MHz,12	6	SA
....6	J1	3708-002203	CONNECTOR-FPC/FFC/PIC;40P,0.5mm,SMD-A,AU	1	SA
....6		AK41-00941A	FPC-ACT;BDP6-ACT,POLYIMDE,1,0.3T,22 x 17	1	SNA
....6		AK41-01007A	PCB MAIN;BDP7-Main,FR-4,2.2,1.0,6T,34.8	1	SNA
....6		AK41-01008A	FPC-BD;BDP7-BD,2.1,POLYIMDE,20,0.075T	1	SNA
....6		AK41-01009A	FPC-DVD;BDP7-DVD,2.1,POLYIMDE,18,T0.3	1	SNA
....6		AK61-01068A	HOLDER-PD BD;SOH-BP7,Zn,t1.5,13.0,7.0,s	1	SNA
....6		AK61-01071A	HOLDER-PD DVD;SOH-BP7,Zn,1.65t,11.8,6.5	1	SNA
....4		AK96-01479A	ASSY PICK UP P-ACT;SOH-BP7	1	SNA

Level	Location	Part Code	Description & Specification	Qty.	SA/SNA
....5	S.N.A	0201-001081	ADHESIVE-AA;1401C,RED,-,BOND-LOCK SCREW	0	SNA
....5	S.N.A	0201-001230	ADHESIVE-CYA;LOCTITE 480,BLK,300,-	0	SNA
....5	S.N.A	0201-001537	ADHESIVE-UV;SDM-378,WHT,11000mPa.s	0	SNA
....5	S.N.A	0201-001793	ADHESIVE-UV;8791L3,WHITE,20000mPa.s	0	SNA
....5		0202-001618	SOLDER-WIRE FLUX;LFA3-107,D0.5,96.5Sn/3.	0	SNA
....5		3302-001806	MAGNET-RARE EARTH;14400Gauss,50MGOe,9x6.	2	SNA
....5	S.N.A	3812-001419	WIRE-NO SHEATH CU;SCW,0V,18.5mm,1/0.11mm	4	SNA
....5	WA001	3812-001456	WIRE-NO SHEATH CU;SCM,18.5,YELLOW	2	SNA
....5	W377	6001-001291	SCREW-MACHINE;CH(0.5),*,-,M1.7,L4,ZPC(BL	2	SA
....5	M0114	AK61-00969A	HOLDER-WIRE;SOH-BP6,PPS,13.8,8.65,BLACK	1	SNA
....5	SNA	AK62-00039A	YOKE-ACT;SOH-BP7,SPCC,1.2t,16.8,29.0,whi	1	SNA
....5		AK96-01184A	ASSY PICK UP P-BLADE;SOH-BP6	1	SNA
....6	SNA	AK66-00163A	BLADE-ACT;SOH-BP6,E5006L,BEIGE	1	SNA
..3		AK96-01552A	ASSY MISC P-HINGE-PU;BD-P7,BUCH	1	SNA
..4	DH03	AK61-01097A	HINGE-PU;BD-P7,POM	1	SNA
..4	ES09	AK61-01148A	SPRING ETC-HINGE PU;BD-P7,STAINLESS-STS3	1	SNA
..3		AK96-01581A	ASSY DECK P-EMPTY;BD-D6500,D6700,D6900,M	1	SNA
..4	S.N.A	0205-001033	GREASE;PL-30G,W050030019	0	SNA
..4	FL07	AK41-01014A	FFC-DECK;BD-D6500,D6700,D6900,15,0.3,10	1	SNA
..4	FL08	AK41-01015A	FFC-PU;BD-D6500,D6700,D6900,40,0.3,215X2	1	SNA
..4	RB01	AK63-00729A	COVER-BOTTOM;BD-D6500,D6700,D6900,Others	1	SNA
..4		AK63-00747A	SHEET-FELT DISC;BD-D6500,D6700,D6900,Oth	1	SNA
..4		AK96-01507A	ASSY FRAME P-MAIN;BD-D6500/D6700/D6900	1	SNA
....5	W274	6001-001730	SCREW-MACHINE;BH,+ ,M1.7,L2.5,ZPC(WHT),SW	2	SA
....5	W396	6003-001620	SCREW-TAPTYPE;CH,+ ,B,M1.4,L5,NI PLT,SWRC	1	SNA
....5		AK31-00054A	MOTOR DC-LOAD;JQ24-35H440L,2670,3.9V,160	1	SNA
....5		AK61-01085A	BODY-LIFT-CHUCK;BD-D6500,D6700,D6900,POM	2	SNA
....5	SNA	AK61-01086A	BASE-MAIN;BD-D6500,D6700,D6900,ABS+GF,1.	1	SNA
....5		AK61-01165A	SPRING ETC-TOGGLE;BD-D6500,D6700,D6900,S	1	SNA
....5		AK61-01166A	SPRING ETC-PLATE-CHUCK;BD-D6500,D6700,D6	1	SNA
....5	DS02	AK66-00194A	SLIDER-CAM;BD-D6500,D6700,D6900,ABS+GF20	1	SNA
....5		AK66-00195A	LINK-LIFT-CHUCK;BD-D6500,D6700,D6900,ABS	2	SNA
....5		AK66-00196A	GEAR-RELAY2;BD-D6500,D6700,D6900,POM,0.4	3	SNA
....5		AK66-00197A	GEAR-SLIDER;BD-D6500,D6700,D6900,POM,0.4	1	SNA
....5		AK66-00198A	GEAR-RELAY1;BD-D6500,D6700,D6900,TPE,0.4	1	SNA
....5	DG06	AK66-00199A	GEAR-PULLEY;BD-D6500,D6700,D6900,POM,0.4	1	SNA
....5	SNA	AK66-00200A	PULLEY-MOTOR;BD-D6500,D6700,D6900,POM,WH	1	SNA
....5	AP090	AK66-00227A	PULLEY-BELT;BD-D6500/D6700/D6900,EPDM,BL	1	SNA
....5		AK96-01508A	ASSY HOLDER P-ROLLER;BD-D6500/D6700/D690	1	SNA
....6		AK61-01084A	HOLDER-ROLLER;BD-D6500,D6700,6900,ABS+GF	1	SNA

Exploded Views and Parts List

Level	Location	Part Code	Description & Specification	Qty.	SA/SNA
....6		AK61-01163A	SPRING ETC-ROLLER;BD-D6500,D6700,D6900,S	2	SNA
....6		AK61-01196A	ROLLER-WASHER;BD-D6500,D6700,D6900,POLYS	2	SNA
....6		AK66-00193A	GEAR-ROLLER;BD-D6500,D6700,D6900,POM,0.4	1	SNA
....6		AK66-00225A	SHAFT-ROLLER;BD-D6500,D6700,D6900,STAINL	1	SNA
....6		AK66-00226A	ROLLER-LOAD;BD-D6500,D6700,D6900,SILICON	2	SNA
....5		AK96-01510A	ASSY MISC P-PLATE CHUCK;BD-D6500/D6700/D	1	SNA
....6		AK61-01083A	BODY-CLAMPER-DISC;BD-D6500,D6700,6900,PO	1	SNA
....6	AP060	AK61-01087A	PLATE-CHUCK;BD-D6500,D6700,D6900,SUS304-	1	SNA
....6		AK61-01088A	HOLDER-CLAMP;BD-D6500,D6700,D6900,SUS301	1	SNA
....6		AK62-00040A	YOKE-CLAMP;BD-D6500,D6700,D6900,Others,0	1	SNA
...4	T001A	AK96-01509A	ASSY COVER P-TOP;BD-D6500/D6700/D6900	1	SNA
....5	SCREW	6003-001647	SCREW-TAPTYPE;FH,M1.7,+L4,B,ZPC(BLK),P0	5	SNA
....5	SCW25	6003-001742	SCREW-TAPTYPE;CH,+B,M2,L5,ZPC(WHT),SWRC	4	SA
....5		AK61-01080A	GUIDE-DISC-L;BD-D6500,D6700,6900,POM,55.	1	SNA
....5		AK61-01081A	GUIDE-DISC-R;BD-D6500,D6700,6900,POM,55.	1	SNA
....5		AK61-01082A	BASE-COVER;BD-D6500,D6700,6900,ABS+GF,1.	1	SNA
....5		AK61-01164A	SPRING ETC-GUIDE;BD-D6500,D6700,D6900,ST	2	SNA
....5	T001	AK63-00728A	COVER-TOP;BD-D6500,D6700,D6900,Others,0.	1	SNA
....5		AK63-00746A	SHEET-COVER;BD-D6500,D6700,D6900,Others,	1	SNA
....5		AK66-00185A	ARM-GUIDE-FL;BD-D6500,D6700,6900,POM,1mm	1	SNA
....5		AK66-00186A	ARM-GUIDE-FR;BD-D6500,D6700,6900,POM,1mm	1	SNA
....5		AK66-00187A	LINK-GUIDE-FRONT;BD-D6500,D6700,6900,ABS	1	SNA
....5		AK66-00188A	ARM-GUIDE-RL;BD-D6500,D6700,6900,POM,1mm	1	SNA
....5		AK66-00189A	ARM-GUIDE-RR;BD-D6500,D6700,6900,POM,1mm	1	SNA
....5		AK66-00190A	LINK-GUIDE-REAR;BD-D6500,D6700,D6900,ABS	1	SNA
....5		AK66-00191A	LINK-SELECT;BD-D6500,D6700,D6900,POM,1.1	1	SNA
....5		AK66-00192A	LEVER-SLIDER;BD-D6500,D6700,D6900,ABS+GF	1	SNA
....5	AL006	AK68-00433D	LABEL-CAUTION;BD-D6500,D6700,D6900,PAPER	1	SNA
....5		AK96-01506A	ASSY PCB P-DECK;BD-D6500/D6700/D6900	1	SNA
....6	CD520	3409-001194	SWITCH-DETECTOR;5V,0.1mA - 100mA,28gf,PU	3	SNA
....6	CN3	3708-001878	CONNECTOR-FPC/FFC/PIC;6P,1mm,SMD-A,SnPb,	1	SNA
....6		AK41-01016A	PCB-DECK;BD-D4500/D4700/D4900,PHENOL,1,0	1	SNA
...4		AK96-01545A	ASSY MISC P-TRAVERS;BD-P7	1	SNA
....5	W011	6001-001370	SCREW-MACHINE;CH,+M1.7,L3.0,ZPC(YEL),SW	3	SA
....5		6001-002658	SCREW-MACHINE;PH,M2.6,L5,ZPC(BLK),SWRCH1	4	SNA
....5	M0081	6003-001070	SCREW-TAPTYPE;BH,+B,M2,L4,ZPC(BLK),SWRC	3	SNA
....5	H203	AH61-50327A	SHAFT-PU L84.7;BD-P,SUS420J2,L84.7,OD3,W	1	SNA
....5	SNA	AK31-00053A	MOTOR STEP-FEED;BD-P7	1	SNA
....5		AK31-00055A	MOTOR BLDC-SPINDLE;3600,12,250,BD-P7,130	1	SNA
....5	DB04	AK61-01093A	BRACKET-SHAFT PU;BD-P7,STAINLESS-ST304,	3	SNA

Level	Location	Part Code	Description & Specification	Qty.	SA/SNA
....5	SNA	AK61-01094A	BRACKET-SHAFT FIX;BD-P7,STAINLESS-ST304	1	SNA
....5	SNA	AK61-01095A	BRACKET-DECK;BD-P7,EGI-SECC,T1.6,W120,L1	1	SNA
....5	S.N.A	AK66-00050A	SHAFT-PU L98;BD-P,SUS420J2,L98,OD3,NTR,M	1	SNA
....5		AK73-00092A	RUBBER-DAMPER;BD-P7,BUTYL	4	SNA
1		AK90-00171B	ASSY COVER BOTTOM;BD-D8200,BD-D8500	1	SNA
.2	B001A	AK96-01541B	ASSY COVER P-BOTTOM;BD-D8200_D8500,ASSY	1	SNA
..3	T0286	3103-001212	FAN-DC;12,80mA,2000rpm,0.11m^3/mi,0.62mm	1	SA
..3	C1023	AK61-00608A	LEG;DVD-VR330,RUBBER,BLK,12	4	SNA
..3	RB01	AK63-00793B	COVER-BOTTOM;BD-D8500/ZF,EGI-SECC,T0.8	1	SNA
..3		AK63-00858A	GASKET-CONDUCTIVE TAPE;BD-D8900,0.13,22,	1	SNA
..3	CLAMP	AK65-00001A	CLAMPER CORE-CORD POWER;EXINO,ABS 94HB	1	SNA
1		AK90-00172A	ASSY COVER TOP;BD-D8200,BD-D8500	1	SNA
.2	F001A	AK96-01538H	ASSY COVER P-FRONT;BD-D8200_BD-D8500,ZG,	1	SA
..3	FL06	3809-002717	FFC CABLE-FLAT;60V,105,90mm,15P,1mm,AWM	1	SA
..3	W391	6003-000275	SCREW-TAPTYPE;BH,+,B,M3,L10,ZPC(BLK),SWR	4	SA
..3	EC13	AK39-00160A	LEAD CONNECTOR;BD-D8700,Lead Connector A	1	SNA
..3		AK94-00462B	ASSY PCB S-USB;BD-D8500,ZF,USB ASSY	1	SA
...4	CN906	3711-005847	CONNECTOR-HEADER;BOX,9P,1R,2MM,ANGLE,SN,	1	SNA
...4	CN2	3722-002313	JACK-USB;4P/1C,AU30U,BLK,STRAIGHT,A TYPE	1	SA
...4		AK41-01058A	PCB SUB-USB;BD-D8700,FR-1,1,00,1.6T,240*	1	SNA
..3		AK94-00463A	ASSY PCB FRONT-VFD;BD-D8700,XF,VFD	1	SA
...4		0202-001463	SOLDER-WIRE;LFC2-W3.0,-,D3,99.79Sn/0.2Cu	1	SNA
...4		0202-001477	SOLDER-CREAM;LST309-M,D20~45um,96.5Sn/3A	0	SNA
...4	CIS2	0202-001522	SOLDER-WIRE FLUX;LFA3-107,D1.2,96.5Sn/3A	0	SNA
...4		0204-002420	SOLVENT;1M-1000,C3H70H,96	1	SNA
...4		0204-002607	FLUX;DF-234U,13%,14KG,Gravity 0.82	0	SNA
...4	RM701	0609-001202	MODULE REMOCON;HORIZONTAL,12.4mm,TR	1	SA
...4	EV01	AK07-00079A	VF DISPLAY;006BT356NK,BD-D8500(LEAD:9mm)	1	SNA
...4	AH410	AK61-01186A	HOLDER-VFD;BD-D8500,ABS,Black,HB	1	SNA
...4		AK63-00797A	SHEET-VFD-FILTER;BD-D8500,PC,T0.5,115,17	1	SNA
...4	AS102	AK63-00799A	SHEET-POWER;BD-D8500,PC,T0.2,8,12.4,Blac	1	SNA
...4		AK97-04655A	ASSY SMD-VFD;XF,AK94-00463A	1	SNA
....5		0403-000489	DIODE-ZENER;MMSZ5228B,5%,500MW,SOD-123,T	1	SA
....5		0403-001779	DIODE-ZENER;MMSZ5234BT1G,5.89/6.51V,500m	1	SA
....5	D1103	0406-001239	DIODE-TVS;RClamp0502B,6/-V,125W,SOT-52	1	SA
....5		0406-001253	DIODE-TVS;VESD05A1-02V,6.0/6.8/7.5V,SOD-	2	SNA
....5	Q613	0501-000465	TR-SMALL SIGNAL;MMBT3904,NPN,350mW,SOT-2	3	SA
....5	CEQ2	0505-000110	FET-SILICON;2N7002,N,60V,115mA,7.5ohm,0.	2	SA
....5	L0405	0601-002094	LED;SMD(TOP VIEW),WHT,1.6x0.8x0.4mm,1.6x	5	SA
....5	EL02	0601-002733	LED;SMD(TOP VIEW),WHT,3.5x2.8x1.8mm,3.5x	1	SA

Exploded Views and Parts List

Level	Location	Part Code	Description & Specification	Qty.	SA/SNA
....5		1003-002394	IC-VFD;MC3411U,QFN,48P,6x6mm,-40/-15mA,T	1	SNA
....5	T0087	1203-006109	IC-POSIFIXED REG.;S-1206B33-M3T1G,SOT-2	1	SA
....5	CER02	2007-000071	R-CHIP;22ohm,5%,1/10W,TP,1608	1	SA
....5	PR6	2007-000072	R-CHIP;47ohm,5%,1/10W,TP,1608	1	SNA
....5	AR30	2007-000074	R-CHIP;100ohm,5%,1/10W,TP,1608	2	SA
....5	R830	2007-000101	R-CHIP;82Kohm,5%,1/10W,TP,1608	1	SA
....5	ARR2	2007-000102	R-CHIP;100Kohm,5%,1/10W,TP,1608	1	SA
....5	R319	2007-000143	R-CHIP;4.7Kohm,5%,1/16W,TP,1005	7	SA
....5	R104	2007-000148	R-CHIP;10Kohm,5%,1/16W,TP,1005	1	SA
....5	R338	2007-000173	R-CHIP;22ohm,5%,1/16W,TP,1005	10	SNA
....5	R346	2007-000729	R-CHIP;300ohm,5%,1/10W,TP,1608	1	SNA
....5		2007-001319	R-CHIP;1.2Kohm,5%,1/16W,TP,1005	8	SA
....5		2007-007156	R-CHIP;1ohm,5%,1/16W,TP,1005	1	SA
....5		2007-007319	R-CHIP;390ohm,1%,1/16W,TP,1005	1	SNA
....5		2007-008593	R-CHIP;750ohm,1%,1/16W,TP,1005	1	SA
....5	C134	2203-000257	C-CER,CHIP;10nF,10%,50V,X7R,TP,1608	2	SA
....5	C212	2203-000440	C-CER,CHIP;1nF,10%,50V,X7R,TP,1608	1	SA
....5	AD480	2203-006336	C-CER,CHIP;10000nF,10%,25V,X5R,TP,3216	1	SA
....5	AD480	2203-006824	C-CER,CHIP;4700nF,10%,10V,X5R,1608	1	SNA
....5	AD480	2203-007513	C-CER,CHIP;10000nF,10%,10V,X5R,TP,1608	6	SA
....5	HR8	2703-000166	INDUCTOR-SMD;2.7uH,5%,3225	1	SA
....5		3601-001376	FUSE-SURFACE MOUNT;32V,3A,FAST-ACTING,Hi	1	SNA
....5	CN353	3708-001994	CONNECTOR-FPC/FFC/PIC;15P,1mm,SMD-A,SN,N	1	SA
....5	AC510	3708-002624	CONNECTOR-FPC/FFC/PIC;8P,0.5mm,SMD-A,AU,	1	SA
....5		AK11-00012A	IC MASK ROM;BD-D8700/D6800,256MB,MLF,2.7	1	SNA
....5		AK41-01057B	PCB-VFD;BD-D8900,EPOXY,2,00,1.6T,224.7 *	1	SNA
...3	F001A	AK96-01721A	ASSY COVER P-FRONT;BD-D8900,SEH kitting	1	SNA
...4		AK01-00005A	FILM-ITO;NTP05TK-20,BD-D8700/BD-D6800,IT	1	SNA
...4	AH156	AK61-01185A	HOLDER-DISC;BD-D8500,ABS,BLK,HB	1	SNA
....5		0103-004609	RESIN-ABS;BK0007,HB,ABS,High Flow ABS	4	SNA
...4	F001	AK63-00788A	COVER-FRONT;BD-D8500,ABS+PMMA,Black,High	1	SNA
....5		0103-007304	RESIN-PMMA;SF-0505EA,BK0041,UL-94 HB,PMM	110	SNA
...4		AK63-00789A	COVER-DUMMY;BD-D8500,ABS+PMMA,Black,Hot	1	SNA
...4		AK63-00798A	SHEET-DOOR-JACK;BD-D8500,PC,T0.25,134.1,	1	SNA
...4		AK63-00815A	SHEET-PROTECTION FRONT;BD-D8700,PE,T0.05	1	SNA
...4	FD19	AK64-02536A	DOOR-JACK;BD-D8500,ABS+PMMA,Black,Hot st	1	SA
...4		AK64-02537A	DOOR-JACK-DUMMY;BD-D8500,ABS+PMMA,Black,	1	SNA
....5		0103-005096	RESIN-ABS;HB,ABS+PMMA	2	SNA
...4	FD10	AK64-02538A	DOOR-LOCK;BD-D8500,SUS416,T0.2	1	SA
...4	AL045	AK67-00151A	LENS-DISC;BD-D8500,PC,Milky	1	SNA

Level	Location	Part Code	Description & Specification	Qty.	SA/SNA
...5		0103-007463	RESIN-PC;SC-1220R,TP0023,1.6V2,NH PC,V-2	3	SNA
..3		BN63-07188A	GASKET-EMI;PDP 850,Conductive Fabric,15m	1	SNA
.2	T001A	AK96-01540A	ASSY COVER P-TOP;BD-D8500,XEF,ASSY,BLK,H	1	SA
..3	T001	AK63-00787A	COVER-TOP;BD-D8200,ABS+PC,Black,Hair lin	1	SNA
..3		AK63-00839A	SHEET-PROTECTION TOP;BD-D8500,PET,T0.05,	1	SNA
1	M0017	AK91-01096A	ASSY CHASSIS;BD-D8200/ZF	1	SNA
.2	EH01A	AK94-00397A	ASSY PCB S-HDD;BD-C8200,EURO,250GB	1	SA
..3	EH01	AK59-00106A	HDD;250G,ST3250312CS,63/track,16,16,383,	1	SA
.2	M0014	AK94-00456A	ASSY PCB MAIN;BD-D8500/ZF,MAIN PCB ASSY	1	SA
..3		0202-001477	SOLDER-CREAM;LST309-M,D20~45um,96.5Sn/3A	2	SNA
..3	CIS2	0202-001522	SOLDER-WIRE FLUX;LFA3-107,D1.2,96.5Sn/3A	0	SNA
..3		3707-001103	CONNECTOR-OPTICAL;ANGLE-TX	1	SNA
..3		3709-001667	CONNECTOR-CARD SLOT;68P W/L,1.27mm,ANGLE	1	SNA
..3	EH01	3711-007822	HEADER-BOARD TO CABLE;NOWALL,16P,1R,2.5m	1	SNA
..3		3722-003183	JACK-PIN;6P,NI+SN,RED/BLU/GRN/YEL/WHT,AN	1	SNA
..3		3722-003266	JACK-MODULAR;8P/8C, Yes,ANGLE-DIP,W/O,AU,	1	SA
..3	ET01	AK40-00046A	TUNER;DTCX-11X2S/C3-D5,DTCX-11X2S/C3-D5,	1	SA
..3		AK97-04563A	ASSY SMD;BD-D8500/ZF,MAIN PCB ASSY,AK94-	1	SNA
...4	HD7	0401-000008	DIODE-SWITCHING;DAN217,80V,100mA,SOT-23,	1	SA
...4	D1	0401-001099	DIODE-SWITCHING;1N4148WS,75V,150mA,SOD-3	2	SA
...4	D1103	0406-001239	DIODE-TVS;RClamp0502B,6/-V,125W,SOT-52	1	SA
...4		0406-001395	DIODE-TVS;AOZ8802ADI,6/-V,DFN-6	1	SA
...4	KQ6	0501-000341	TR-SMALL SIGNAL;KSC1623-L,NPN,200mW,SOT-	1	SA
...4	Q1040	0501-000457	TR-SMALL SIGNAL;MMBT2222A/KST2222A,NPN,3	4	SA
...4	Q613	0501-000465	TR-SMALL SIGNAL;MMBT3904,NPN,350mW,SOT-2	3	SA
...4	Q375	0504-000126	TR-DIGITAL;KSR1101,NPN,200mW,4.7K/4.7Koh	1	SA
...4	Q601	0504-000129	TR-DIGITAL;KSR1104,NPN,200mW,47K/47Kohm,	2	SA
...4	Q806	0504-000152	TR-DIGITAL;KSR2101,PNP,200mW,4.7K/4.7Koh	2	SA
...4	AQ8	0504-000156	TR-DIGITAL;KSR2103,PNP,200MW,22K/22K,SOT	2	SA
...4	CEQ2	0505-000110	FET-SILICON;2N7002,N,60V,115mA,7.5ohm,0.	1	SA
...4	Q409	0505-002386	FET-SILICON;AO3415AL,P,-20V,-4A,0.045ohm	1	SA
...4	IC104	0801-002095	IC-CMOS LOGIC;74LCX245,TRANSCEIVER,TSSOP	1	SA
...4	IC104	0801-002172	IC-CMOS LOGIC;74LCX16244,BUFFER/LINE DRI	3	SA
...4	IC104	0801-002345	IC-CMOS LOGIC;7S04,INVERTER,SOT-353,5P,2	1	SA
...4	IC104	0801-002487	IC-CMOS LOGIC;7SZ126,BUFFER,SC-70,5P,2x1	2	SA
...4	IC104	0801-002630	IC-CMOS LOGIC;74AHCT1G08,2-INPUT AND GAT	2	SA
...4	DIC7	0801-002701	IC-CMOS LOGIC;74VHCT125A,BUFFER,TSSOP,14	1	SA
...4	ND51C2	0801-002780	IC-CMOS LOGIC;74LVC1G17,SCHMITT-TRIGGER	1	SNA
...4		0903-001744	IC-MICROCONTROLLER;S5L7970,ETQFP,128P,16	1	SA
...4	IC11	1001-001305	IC-ANALOG SWITCH;74HC4066PW,TSSOP,14P,5.	1	SA

Exploded Views and Parts List

Level	Location	Part Code	Description & Specification	Qty.	SA/SNA
...4	IC107	1002-001581	IC-D/A CONVERTER;CS4353-CNZR,24,QFN,24P,	1	SNA
...4		1003-002383	IC-MOTOR DRIVER;TPIC1391DBTRG4,TSSOP,30P	1	SNA
...4		1003-002384	IC-MOTOR DRIVER;TPIC1407,DFD,56P,14.10x6	1	SNA
...4	IC112	1103-001310	IC-EEPROM;24LC02B,256X8BIT,SOIC,8P,3.91X	1	SNA
...4		1103-001506	IC-EEPROM;M24512-RMN6TP,512Kbit,64Kx8,SO	1	SA
...4		1105-002161	IC-DDR3 SDRAM;K4B2G1646C-HCH9,DDR3 SDRAM	3	SNA
...4		1107-002003	IC-NAND FLASH;MT29F2G08ABAEAH4IT:E,2Gbit	1	SA
...4	U309	1201-000166	IC-OP AMP;LM358,SOP,ST,8P,150MIL,DUAL,10	1	SA
...4	T0074	1201-003013	IC-VIDEO AMP;MM1797EVBE,TSOP-16B,16P,5x4	1	SNA
...4	IC44	1203-003571	IC-POSIFIXED REG.;MM1701CHBE,HSOP,8P,5x	1	SA
...4		1203-004364	IC-VOL. DETECTOR;RT9818C-42PV,SOT-23,3P,	1	SA
...4		1203-006067	IC-POWER SUPERVISOR;TPS2553DBVR,SOT-23,6	2	SNA
...4		1203-006133	IC-POSIAJUST REG.;AP1117D-25-GZ-13-89,	1	SA
...4	T0087	1203-006136	IC-POSIFIXED REG.;AP1117D-18-GZ-13-89,T	1	SA
...4	IC012	1203-006138	IC-POSIAJUST REG.;AP1117DGZ-13-89,TO-2	1	SA
...4	IC012	1203-006239	IC-POSIAJUST REG.;AP1117EGZ-13-89,SOT-	1	SA
...4		1203-006619	IC-DC/DC CONVERTER;AOZ1033AI,SO-8,8P,4.9	2	SA
...4		1203-006693	IC-DC/DC CONVERTER;AOZ1034PI,SO-8,8P,4.9	1	SA
...4		1204-003233	IC-VIDEO DECODER;SDP1004,880P,27x27x3.1m	1	SNA
...4		1205-003479	IC-SWITCH;TPS2051BDBVR,SOT-23,5P,2.9x1.6	1	SA
...4		1205-003834	IC-ETHERNET CONTROLLER;RTL8201E-VC-GRT,Q	1	SA
...4	R700	1404-001328	THERMISTOR-NTC;10Kohm,0A,3370K,0mW/C,0uF	1	SNA
...4	HD9	1405-001192	VARISTOR;12Vdc,30A,1.6x0.8x0.55mm,TP	12	SA
...4	J914	2007-000029	R-CHIP;0ohm,5%,1/8W,TP,2012	1	SC
...4	PR4	2007-000052	R-CHIP;10Kohm,1%,1/10W,TP,1608	5	SA
...4	PR6	2007-000072	R-CHIP;47ohm,5%,1/10W,TP,1608	4	SNA
...4	AR30	2007-000074	R-CHIP;100ohm,5%,1/10W,TP,1608	2	SA
...4	AR150	2007-000078	R-CHIP;1Kohm,5%,1/10W,TP,1608	4	SA
...4	CER04	2007-000084	R-CHIP;4.7Kohm,5%,1/10W,TP,1608	3	SA
...4	MR19	2007-000087	R-CHIP;6.8Kohm,5%,1/10W,TP,1608	1	SA
...4	MROP1	2007-000090	R-CHIP;10Kohm,5%,1/10W,TP,1608	1	SA
...4	R3A08	2007-000091	R-CHIP;12Kohm,5%,1/10W,TP,1608	1	SNA
...4	MR13	2007-000092	R-CHIP;15Kohm,5%,1/10W,TP,1608	1	SA
...4	R637	2007-000096	R-CHIP;30Kohm,5%,1/10W,TP,1608	1	SA
...4	AR108	2007-000097	R-CHIP;47Kohm,5%,1/10W,TP,1608	2	SA
...4	ARR2	2007-000102	R-CHIP;100Kohm,5%,1/10W,TP,1608	2	SA
...4	R309	2007-000105	R-CHIP;200Kohm,5%,1/10W,TP,1608	1	SNA
...4	R510	2007-000108	R-CHIP;510Kohm,5%,1/10W,TP,1608	1	SA
...4	VR3	2007-000115	R-CHIP;82ohm,5%,1/10W,TP,1608	2	SA
...4	R893B	2007-000122	R-CHIP;1.2Kohm,5%,1/10W,TP,1608	2	SA

Level	Location	Part Code	Description & Specification	Qty.	SA/SNA
...4	R15	2007-000134	R-CHIP;33Kohm,5%,1/10W,TP,1608	5	SNA
...4	MR604	2007-000137	R-CHIP;2Kohm,5%,1/16W,TP,1005	5	SA
...4	R105	2007-000138	R-CHIP;100ohm,5%,1/16W,TP,1005	20	SA
...4	AR49	2007-000140	R-CHIP;1Kohm,5%,1/16W,TP,1005	16	SA
...4	MR306	2007-000141	R-CHIP;2.2Kohm,5%,1/16W,TP,1005	6	SA
...4	AVR73	2007-000142	R-CHIP;2.7Kohm,5%,1/16W,TP,1005	1	SNA
...4	R319	2007-000143	R-CHIP;4.7Kohm,5%,1/16W,TP,1005	1	SA
...4	R104	2007-000148	R-CHIP;10Kohm,5%,1/16W,TP,1005	1	SA
...4	HDR2	2007-000151	R-CHIP;15Kohm,5%,1/16W,TP,1005	1	SA
...4	AR43	2007-000155	R-CHIP;27Kohm,5%,1/16W,TP,1005	1	SNA
...4	MR13	2007-000157	R-CHIP;47Kohm,5%,1/16W,TP,1005	1	SA
...4	R123	2007-000159	R-CHIP;56Kohm,5%,1/16W,TP,1005	1	SA
...4	DR39	2007-000162	R-CHIP;100Kohm,5%,1/16W,TP,1005	1	SA
...4	R111	2007-000171	R-CHIP;0ohm,5%,1/16W,TP,1005	10	SNA
...4	R2136	2007-000239	R-CHIP;1.5Kohm,1%,1/10W,TP,1608	1	SA
...4	MR39	2007-000242	R-CHIP;1.5Kohm,5%,1/16W,TP,1005	1	SA
...4	AR48	2007-000431	R-CHIP;16Kohm,5%,1/10W,TP,1608	1	SA
...4	R1S36	2007-000491	R-CHIP;2.2Kohm,1%,1/10W,TP,1608	2	SA
...4		2007-000606	R-CHIP;240ohm,1%,1/10W,TP,1608	1	SA
...4	JR11	2007-000614	R-CHIP;24Kohm,1%,1/10W,TP,1608	1	SNA
...4	RF03	2007-000828	R-CHIP;39Kohm,1%,1/10W,TP,1608	1	SA
...4	DR6	2007-000831	R-CHIP;39Kohm,5%,1/16W,TP,1005	1	SA
...4	V8932	2007-000857	R-CHIP;4.3Kohm,1%,1/10W,TP,1608	1	SNA
...4	AAR99	2007-000910	R-CHIP;43Kohm,1%,1/10W,TP,1608	1	SA
...4	FR18	2007-000982	R-CHIP;5.6Kohm,5%,1/16W,TP,1005	2	SA
...4	AR132	2007-001010	R-CHIP;51Kohm,5%,1/10W,TP,1608	3	SA
...4	AR2	2007-001068	R-CHIP;6.8Kohm,1%,1/10W,TP,1608	1	SA
...4	AHR41	2007-001175	R-CHIP;8.2Kohm,1%,1/10W,TP,1608	3	SA
...4	R740	2007-001217	R-CHIP;82ohm,5%,1/16W,TP,1005	10	SNA
...4	OTR1	2007-001292	R-CHIP;33ohm,5%,1/16W,TP,1005	109	SA
...4	R16	2007-001313	R-CHIP;330ohm,5%,1/16W,TP,1005	2	SA
...4		2007-001316	R-CHIP;820ohm,5%,1/16W,TP,1005	2	SA
...4		2007-001329	R-CHIP;7.5Kohm,5%,1/16W,TP,1005	2	SA
...4		2007-001342	R-CHIP;2Mohm,5%,1/10W,TP,1608	1	SA
...4	R1	2007-002425	R-CHIP;1ohm,5%,1/10W,TP,1608	13	SNA
...4		2007-002437	R-CHIP;2ohm,5%,1/10W,TP,1608	3	SNA
...4	DR4	2007-007142	R-CHIP;10Kohm,1%,1/16W,TP,1005	7	SA
...4		2007-007306	R-CHIP;100ohm,1%,1/16W,TP,1005	3	SNA
...4		2007-007317	R-CHIP;2.2Kohm,1%,1/16W,TP,1005	2	SA
...4		2007-007318	R-CHIP;1Kohm,1%,1/16W,TP,1005	10	SNA

Level	Location	Part Code	Description & Specification	Qty.	SA/SNA
...4		2007-007319	R-CHIP;390ohm,1%,1/16W,TP,1005	10	SNA
...4	R309	2007-007441	R-CHIP;562ohm,1%,1/10W,TP,1608	2	SA
...4	HDR44	2007-007470	R-CHIP;7.5Kohm,1%,1/16W,TP,1005	1	SNA
...4		2007-007517	R-CHIP;240ohm,1%,1/16W,TP,1005	6	SNA
...4		2007-007538	R-CHIP;56Kohm,1%,1/16W,TP,1005	1	SA
...4		2007-007617	R-CHIP;2.49Kohm,1%,1/10W,TP,1608	1	SA
...4		2007-007766	R-CHIP;2Kohm,1%,1/16W,TP,1005	2	SA
...4		2007-007797	R-CHIP;44.2ohm,1%,1/10W,TP,1608	2	SA
...4		2007-007834	R-CHIP;16.5Kohm,1%,1/10W,TP,1608	1	SA
...4	MR11	2007-008015	R-CHIP;75ohm,1%,1/16W,TP,1005	8	SA
...4		2007-008175	R-CHIP;330ohm,1%,1/16W,TP,1005	1	SNA
...4		2007-008213	R-CHIP;4.3Kohm,1%,1/16W,TP,1005	1	SNA
...4		2007-008263	R-CHIP;3Kohm,1%,1/16W,TP,1005	2	SA
...4		2007-008275	R-CHIP;30Kohm,1%,1/16W,TP,1005	1	SNA
...4		2007-008593	R-CHIP;750ohm,1%,1/16W,TP,1005	5	SA
...4	PC43	2203-000233	C-CER,CHIP;0.1nF,5%,50V,C0G,TP,1005	2	SA
...4	MC2	2203-000254	C-CER,CHIP;10nF,10%,16V,X7R,TP,1005	6	SA
...4	DC93	2203-000311	C-CER,CHIP;0.12nF,5%,50V,C0G,1005	6	SA
...4	ZC4	2203-000332	C-CER,CHIP;0.012nF,5%,50V,C0G,TP,1608	2	SA
...4	C254	2203-000438	C-CER,CHIP;1nF,10%,50V,X7R,TP,1005	2	SA
...4	C212	2203-000440	C-CER,CHIP;1nF,10%,50V,X7R,TP,1608	2	SA
...4	C507	2203-000489	C-CER,CHIP;2.2nF,10%,50V,X7R,TP,1005	2	SA
...4	AC139	2203-000491	C-CER,CHIP;2.2nF,10%,50V,X7R,1608	1	SA
...4	AD480	2203-000550	C-CER,CHIP;0.02nF,5%,50V,C0G,1005	2	SNA
...4	MC111	2203-000646	C-CER,CHIP;0.024nF,5%,50V,C0G,TP,1608	2	SNA
...4	AD480	2203-000679	C-CER,CHIP;0.027nF,5%,50V,C0G,1005	2	SA
...4	AD480	2203-000714	C-CER,CHIP;3.3nF,10%,50V,X7R,TP,1005,-	4	SA
...4	DC25	2203-000812	C-CER,CHIP;0.033nF,5%,50V,C0G,TP,1005	4	SA
...4	C3A09	2203-001103	C-CER,CHIP;6.8nF,10%,50V,X7R,TP,1608	2	SA
...4	AD480	2203-002285	C-CER,CHIP;10nF,10%,50V,X7R,TP,1005	12	SNA
...4	AC2	2203-002711	C-CER,CHIP;100nF,10%,25V,X7R,TP,1608	6	SA
...4	AD480	2203-002720	C-CER,CHIP;10nF,10%,25V,X7R,TP,1005,0.5T	2	SNA
...4	DC18	2203-005138	C-CER,CHIP;1.8nF,10%,50V,X7R,1005	4	SA
...4	AAC1	2203-005249	C-CER,CHIP;100nF,10%,50V,X7R,TP,1608	7	SA
...4	DC9	2203-005481	C-CER,CHIP;47nF,10%,10V,X7R,TP,1005	1	SA
...4	PC8	2203-005642	C-CER,CHIP;0.22nF,5%,50V,NP0,1005	4	SNA
...4	VC37	2203-006048	C-CER,CHIP;100nF,10%,10V,X7R,TP,1005	266	SA
...4	C102	2203-006158	C-CER,CHIP;100nF,10%,16V,X7R,TP,1005,0.5	33	SA
...4	C510	2203-006170	C-CER,CHIP;220nF,10%,16V,X7R,1608	2	SA
...4	JC10	2203-006324	C-CER,CHIP;2200nF,10%,10V,X5R,1608	6	SA

Level	Location	Part Code	Description & Specification	Qty.	SA/SNA
...4	C802	2203-006348	C-CER,CHIP;1000nF,10%,25V,X5R,TP,1608	1	SA
...4	C125	2203-006361	C-CER,CHIP;10000nF,10%,10V,X5R,TP,2012	49	SC
...4	HE4	2203-006474	C-CER,CHIP;22000nF,20%,6.3V,X5R,2012	6	SA
...4	HDC11	2203-006562	C-CER,CHIP;1000nF,10%,10V,X5R,TP,1005	10	SA
...4	AD480	2203-007306	C-CER,CHIP;10000nF,10%,25V,X5R,TP,2012,1	5	SNA
...4	AD480	2203-007513	C-CER,CHIP;10000nF,10%,10V,X5R,TP,1608	24	SA
...4	HR8	2703-000166	INDUCTOR-SMD;2.7uH,5%,3225	3	SA
...4	T0052	2703-003790	INDUCTOR-SMD;4.7uH,20%,8080	1	SA
...4		2703-003898	INDUCTOR-SMD;4.7uH,20%,6363	1	SNA
...4		2703-003978	INDUCTOR-SMD;1uH,20%,7777	1	SNA
...4	X202	2801-004146	CRYSTAL-SMD;20MHz,30ppm,SX-3,18pF,30ohm,	1	SA
...4	CF2	2801-004655	CRYSTAL-SMD;25MHz,50ppm,SX-3,18pF,25ohm,	2	SA
...4		2801-004913	CRYSTAL-SMD;24MHz,10ppm,SX-1,12pF,30ohm,	1	SNA
...4	L2011	3301-001145	BEAD-SMD;60ohm,4516,TP,70ohm/45MHz,82ohm	1	SNA
...4	T0568	3301-001364	BEAD-SMD;1000ohm,1608,150mA,TP,1085ohm/1	2	SNA
...4	T0568	3301-001404	BEAD-SMD;30ohm,2012,TP,15.9OHM/30MHz,-	25	SA
...4	T0568	3301-002039	BEAD-SMD;26ohm,1608,TP	4	SA
...4		3701-001293	CONNECTOR-HDMI;19P,2R,FEMALE,SMD-A,AU	1	SA
...4	AC510	3708-001837	CONNECTOR-FPC/FFC/PIC;15P,1mm,SMD-S,Sn-P	2	SA
...4		3708-002908	CONNECTOR-FPC/FFC/PIC;40P,0.5mm,SMD-S,0.	1	SA
...4	CN906	3711-006947	CONNECTOR-HEADER;1WALL,7P,1R,1.27mm,STRA	1	SNA
...4	EH01	3711-007137	HEADER-BOARD TO CABLE;BOX,4P,1R,1.25mm,S	1	SA
...4	EH01	3711-007404	HEADER-BOARD TO CABLE;BOX,9P,1R,1.25mm,S	1	SA
...4		AK41-01047A	PCB MAIN;BD-D8700,FR-4,4,00,1.2T,192*238	1	SNA
...4		AK97-04564A	ASSY MICOM;BD-D8500/ZF,MAIN PCB ASSY,AK9	1	SNA
...5	6MIC01	AK09-00184A	IC MICOM;uPD78F0526,ALVIS,52,5V,32.768KH	1	SNA
...4		AK97-04706A	ASSY MICOM-FLASH;BD-D8500,ZF,AH41-01440A	1	SNA
..3	T0066	BN62-00043A	HEAT SINK-ES;40*40*5,Ceramic,T1.5,TAPE	1	SNA
.2	P001A	AK94-00461A	ASSY PCB SMPS;BD-D8700,XF,SMPS ASSY	1	SA
..3		0202-001463	SOLDER-WIRE;LFC2-W3.0,-,D3,99.79Sn/0.2Cu	3	SNA
..3		0202-001608	SOLDER-WIRE FLUX;LFC7-107,D0.8,99.3Sn/0.	0	SNA
..3		0204-002420	SOLVENT;1M-1000,C3H70H,96	3	SNA
..3		0204-002607	FLUX;DF-234U,13%,14KG,Gravity 0.82	2	SNA
..3	D1S34	0402-001600	DIODE-RECTIFIER;MBRF20100CT,100V,20A,ITO	1	SA
..3	BD01	0402-001608	DIODE-BRIDGE;GBJ2J,600V,2A,SIP-4,BK	1	SA
..3		0404-001489	DIODE-SCHOTTKY;SBR20A200CTFP,200V,20000m	1	SA
..3		0505-002716	FET-SILICON;AOT416L,N,100V,42A,0.037ohm,	1	SNA
..3	PICS1	0604-001028	PHOTO-COUPLER;TR,50-600%,250mW,DIP-4,ST	1	SC
..3	IC1P02	1203-002183	IC-SWITCH VOL. REG.;278R12,TO-220F-4L,4P	1	SA
..3		1203-006227	IC-PWM CONTROLLER;ICE3BR1065JF,TO-220F(6	1	SNA

Exploded Views and Parts List

Level	Location	Part Code	Description & Specification	Qty.	SA/SNA
...3	PRF10	1404-001361	THERMISTOR-NTC;3ohm,4A,-,35mW/C,0uF,9,TP	1	SA
...3		1405-000152	VARISTOR;560V,2500A,14x8.5mm,TP	1	SA
...3	VA1SS2	1405-001026	VARISTOR;470V,600A,9x7mm,TP	1	SNA
...3		2003-000011	R-METAL OXIDE(S);68Kohm,5%,3W,AA,TP,6x16	1	SA
...3	PCD02	2201-000963	C-CERAMIC,DISC;1nF,20%,400V,Y5U,9.5x6mm,	2	SA
...3	C01	2201-002044	C-CERAMIC,DISC;0.1nF,10%,400V,Y5P,8.5x6m	1	SA
...3	C1S05	2301-001792	C-FILM,LEAD;150nF,20%,275V,BK,17.5x7.0x1	2	SA
...3	C1S31	2401-000717	C-AL;2200uF,20%,25V,WT,TP,12.5x25,5	1	SNA
...3	C1S01A	2401-003842	C-AL;100uF,20%,450V,WT,BK,25.4X25,10	1	SA
...3	C	2401-004052	C-AL;2200UF,20%,16V,-,TP,12.5X25,5	2	SA
...3	H008	3710-001919	SOCKET-BOARD TO CABLE;16P,1R,2.5mm,ANGLE	1	SA
...3	PCNS2	3711-000203	HEADER-BOARD TO CABLE;1WALL,2P/3P,1R,7.9	1	SA
...3	HB01A	3711-004270	HEADER-BOARD TO CABLE;BOX,2P,1R,2mm,ANGL	1	SA
...3	DRVCN	3711-004379	HEADER-BOARD TO CABLE;BOX,4P,1R,2mm,STRA	1	SA
...3	W004	6003-000283	SCREW-TAPTYPE;BH,+,-,B,M3,L8,ZPC(WHT),SW	1	SNA
...3		AK26-00044B	TRANS SWITCHING;ER2828,BD-D8500,FREE,ER2	1	SNA
...3	T0010	AK27-00008A	COIL CHOKE;BAR5*20,BD-P1600,5.5uH,25%,0.	1	SA
...3		AK29-00004A	FILTER LINE NOISE;BD-P1600,SQ2116,2.0 ma	2	SA
...3	IC1P02	AK62-00009A	HEAT SINK-MAIN;DVD-CM350,AL1050R,T10.5,W	1	SNA
...3		AK97-04654A	ASSY AUTO;XF,AK94-00461A	1	SNA
...4	PDS11	0402-000012	DIODE-RECTIFIER;UF4007,1000V,1A,DO-41,TP	1	SA
...4	D1S40	0402-000351	DIODE-RECTIFIER;1N4937,600V,1A,DO-41,TP	3	SA
...4	PZD22	0403-000720	DIODE-ZENER;MTZJ9.1B,8.57/9.01V,500mW,DO	1	SA
...4	PZD21	0403-000752	DIODE-ZENER;MTZJ22C,21.08-22.17V,500MW,D	1	SA
...4		0403-000754	DIODE-ZENER;MTZJ30C,28.2-29.6V,500mW,DO-	1	SA
...4	KR5	2001-000007	R-CARBON;3Kohm,5%,1/8W,AA,TP,1.8x3.2mm	1	SA
...4	KR1	2001-000036	R-CARBON;330ohm,5%,1/4W,AA,TP,2.4x6.4mm	1	SC
...4	R4N03	2001-000281	R-CARBON;100ohm,5%,1/8W,AA,TP,1.8x3.2mm	1	SA
...4	R1P10B	2001-000290	R-CARBON;10Kohm,5%,1/8W,AA,TP,1.8x3.2mm	2	SA
...4	SCR3	2001-000429	R-CARBON;1Kohm,5%,1/8W,AA,TP,1.8x3.2mm	2	SA
...4	PRS31	2001-000440	R-CARBON;1ohm,5%,1/8W,AA,TP,1.8x3.2mm	1	SA
...4	R1SF14	2001-000527	R-CARBON;22ohm,5%,1/8W,AA,TP,1.8x3.2mm	2	SA
...4	R1S34	2001-001138	R-CARBON(S);390ohm,5%,1/2W,AA,TP,2.4x6.4	1	SA
...4	PRF01	2002-000121	R-COMPOSITION;1Mohm,10%,1/2W,AA,TP,3.5x9	1	SA
...4	1SR13	2003-002197	R-METAL OXIDE;0.47ohm,5%,2W,AF,TP,3.9x10	1	SA
...4		2004-000699	R-METAL;3.3Kohm,1%,1/8W,AA,TP,1.8x3.2mm	1	SA
...4	R1SS34	2004-000869	R-METAL;3Kohm,1%,1/8W,AA,TP,1.8x3.2mm	1	SA
...4	PCD12	2201-002076	C-CERAMIC,DISC;0.068nF,10%,1000V,SL,-,8x	1	SA
...4	PCS32	2301-000129	C-FILM,LEAD-PEF;100nF,5%,50V,TP,10x9x4.3	2	SA
...4	C1S17	2301-000383	C-FILM,LEAD-PEF;10nF,5%,50V,TP,6x7x3.2mm	1	SA

Level	Location	Part Code	Description & Specification	Qty.	SA/SNA
..4	C1S11	2301-000402	C-FILM,LEAD-PEF;1nF,5%,50V,TP,6x9.5x3.5m	2	SNA
..4	PCD11	2305-001029	C-FILM,LEAD-PEF;10nF,10%,630V,TP,12x9x12	1	SA
..4	C	2401-000038	C-AL;470uF,20%,25V,GP,TP,10x12.5mm,	1	SNA
..4	C	2401-000832	C-AL;220uF,20%,25V,GP,TP,8x11.5,5	1	SA
..4	C	2401-001340	C-AL;0.47UF,20%,50V,WT,TP,5X11,5	1	SA
..4	C1P102	2401-001583	C-AL;47uF,20%,50V,WT,TP,6.3x11,5	4	SC
..4	PES34	2401-003480	C-AL;1000UF,20%,10V,LZ,TP,10X16MM,5	2	SA
..4	BD707	3301-000297	BEAD-AXIAL;25ohm,3.6x1.2x5.7mm,-,TP,-,-,	1	SNA
..4	F1P01	3601-001127	FUSE-RADIAL LEAD;250V,3.15A,TIME-LAG,PVC	1	SA
..4	JP21	3811-001868	WIRE-NO SHEATH CU;SnCuFe,52mm,GRY	20	SNA
..4	PICS2	AC14-12006D	IC;KA431Z,TO-92,TAPING	1	SA
..4		AK41-01076B	PCB-SMPS;BD-D8500,FR-1,1,00,1.6,220*80,1	1	SNA
.2	NW01	BN59-01130B	NETWORK;WiDT-10A,BCM43236,Internal WiFi,	1	SA
1		AK91-01100A	ASSY SHIELD;BD-D8200,BD-D8500,BD-D8900	1	SNA
.2	W336	6001-000742	SCREW-INCH MACH;PH,+,UNC6-32,L4.2,ZPC(WH	4	SA
.2	W391	6003-000275	SCREW-TAPTYPE;BH,+,B,M3,L10,ZPC(BLK),SWR	11	SA
.2	M0081	6003-001023	SCREW-TAPTYPE;PWH,+,-,B,M3,L10,ZPC(WHT),	5	SA
.2	W275	6003-001561	SCREW-TAPTYPE;BH,+,-,B,M3,L6,ZPC(WHT),SW	6	SA
.2	T0268	AC39-10019A	CBF-POWER CORD;AT,CP2,HOUIING(2P),250V,2.	1	SA
.2	EC13	AK39-00157A	LEAD CONNECTOR;BD-D6800,Flat Connector A	1	SA
.2	EC13	AK39-00158A	LEAD CONNECTOR;BD-D8500,S-ATA 22PIN Sign	1	SA
.2		AK61-00916A	GUIDE-SPECIAL;DVD-SH895,M3 TAPTITE,3,8,1	4	SNA
.2	FC04A	AK96-01690A	ASSY COVER P-SIDE L;BD-D8900_8500_8200,Z	1	SA
..3	AC502	AK63-00791A	COVER-SIDE-L;BD-D8500,ABS+PMMA,Black,Hig	1	SNA
..3		AK63-00816A	SHEET-PROTECTION SIDE-L;BD-D8700,PE,T0.0	1	SNA
.2		AK96-01691A	ASSY COVER P-SIDE R;BD-D8900_8500_8200,Z	1	SA
..3	AC503	AK63-00792A	COVER-SIDE-R;BD-D8500,ABS+PMMA,Black,Hig	1	SNA
..4		0103-005041	RESIN-PC;V0,PC+ABS	48	SNA
..3		AK63-00817A	SHEET-PROTECTION SIDE-R;BD-D8700,PE,T0.0	1	SNA
.2	P295	AK97-02472A	ASSY BRACKET-HDD;HDD,DVD-SH895/XEF,09-HD	1	SNA
..3	VS074	AK61-00914A	BRACKET-HDD;DVD-SH895,SECC,T0.8,130,104.	1	SNA
..3	C701	AK73-00028A	RUBBER-HDD;DVD-HR800/XAA,BUTHYL 40Hs,10*	4	SNA
1	ACCE1	AK92-02094J	ASSY ACCESSORY;BD-D8200/XN	1	SNA
.2	REMO2	AK59-00119A	REMOCON;TM1151,MULTI,55,3V,BD-D6800,D820	1	SA
.2		AK96-01663K	ASSY MANUAL P;BD-D8500,I/B,CARD,XN	1	SNA
..3		6801-001763	CARD-REGISTRATION;Europe Registration,XE	1	SNA
..3	T0524	6902-000286	BAG PE;LDPE,T0.03,W200,L300,TRP,28,2	1	SNA
..3		AK68-02063N	MANUAL USERS;BD-D8500,XN,ENG,FRA,GER,NL,	1	SNA
.2	ACCE	AK97-01076A	ASSY ACCESSORY;DVD-R100E,-,SORT ACCESSOR	1	SNA
..3	S.N.A	4301-001035	BATTERY-ALKALINE;1.5V,0mAH,LR03,10.5x44.	2	SNA

Exploded Views and Parts List

Level	Location	Part Code	Description & Specification	Qty.	SA/SNA
..3	BAG	6902-000031	BAG ZIPPER;LDPE,T0.05,W80,L160,TRP,0,0,4	1	SNA
..3	ACCE	AC39-00017A	CABLE-ETC-RF(PAL);SV-623X	1	SC
..3	C-A/V	AC39-42001R	CABLE-A/V;PVC	1	SC
1		AK92-02096F	ASSY LABEL;BD-D8200/ZF	1	SNA
.2	CCM1	AK68-01466Y	LABEL RATING;BD-P1600A/XER,SER,PET,T1,W4	1	SNA
.2		AK68-02019L	LABEL-STAND POP;BD-D8200/ZF,SEF,ART PAPE	1	SNA
1		AK92-02104A	ASSY P/MATERIAL;BD-D8200,BD-D8500,BD-D89	1	SNA
.2		AK63-00435B	SHEET-NITRON;BD-C5300/XAA,NITRON,0.5,630	1	SNA
.2		AK69-00977A	CUSHION-SET;BD-D8500,EPS,16.7g/l	1	SNA
.2		AK69-00977B	CUSHION-MIDDLE;BD-D8500,EPS,16.7g/l	1	SNA
.2		BN63-07496A	COVER-PALLET FOIL;LB530,PE,T0.05,2000,20	1	SNA
.2		BN63-07522A	COVER-SHEET NITRON;32C550,PE,T3.0,1190,1	1	SNA
.2		BN69-00257B	PACKING-PAD;PAPER,CB-SW4,1130,820,YEL,28	1	SNA
.2		BN69-03934A	WRAP STRETCH FILM;All,HDPE,0.012,500,300	1	SNA
.2		BN69-04029A	PAD EPS-EDGE;CB,B800,W50x50,L2200,YEL,66	1	SNA
.2		BN69-05519A	PALLET-WOODEN;BN69-01058X,WOOD-OTH,1180,	1	SNA
.2		BN81-02321A	BAG-AIR;LIGHT FLEX PLASTIK,PE WHITE,L120	1	SNA
.2		HA83-00057B	LP-TAPE-CELLULOSE;,HA02-030010,T0,046,W7	1	SNA
1		AK92-02105F	ASSY BOX;BD-D8200,ZF	1	SNA
.2		AH68-01981M	LABEL-BOX;ALL MODEL,ALL BUYER,heat sensi	1	SNA
.2		AK69-00988F	BOX-SET;BD-D8200/ZF,CB,A-01,SW-40,YEL,H1	1	SNA