
5. Exploded View and Parts List

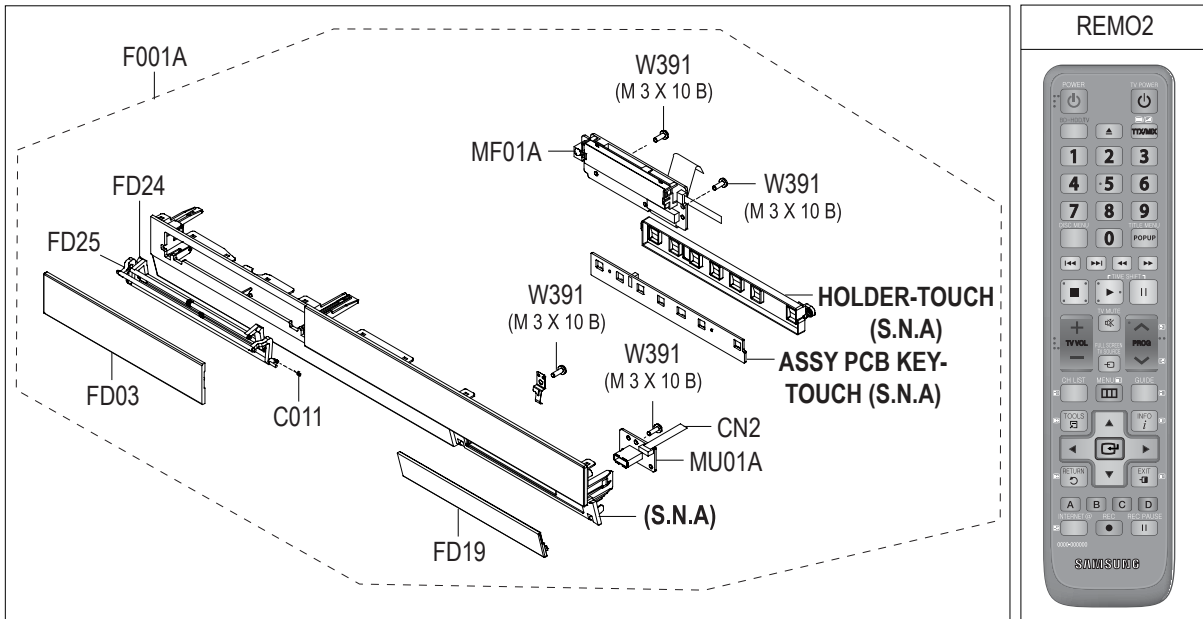
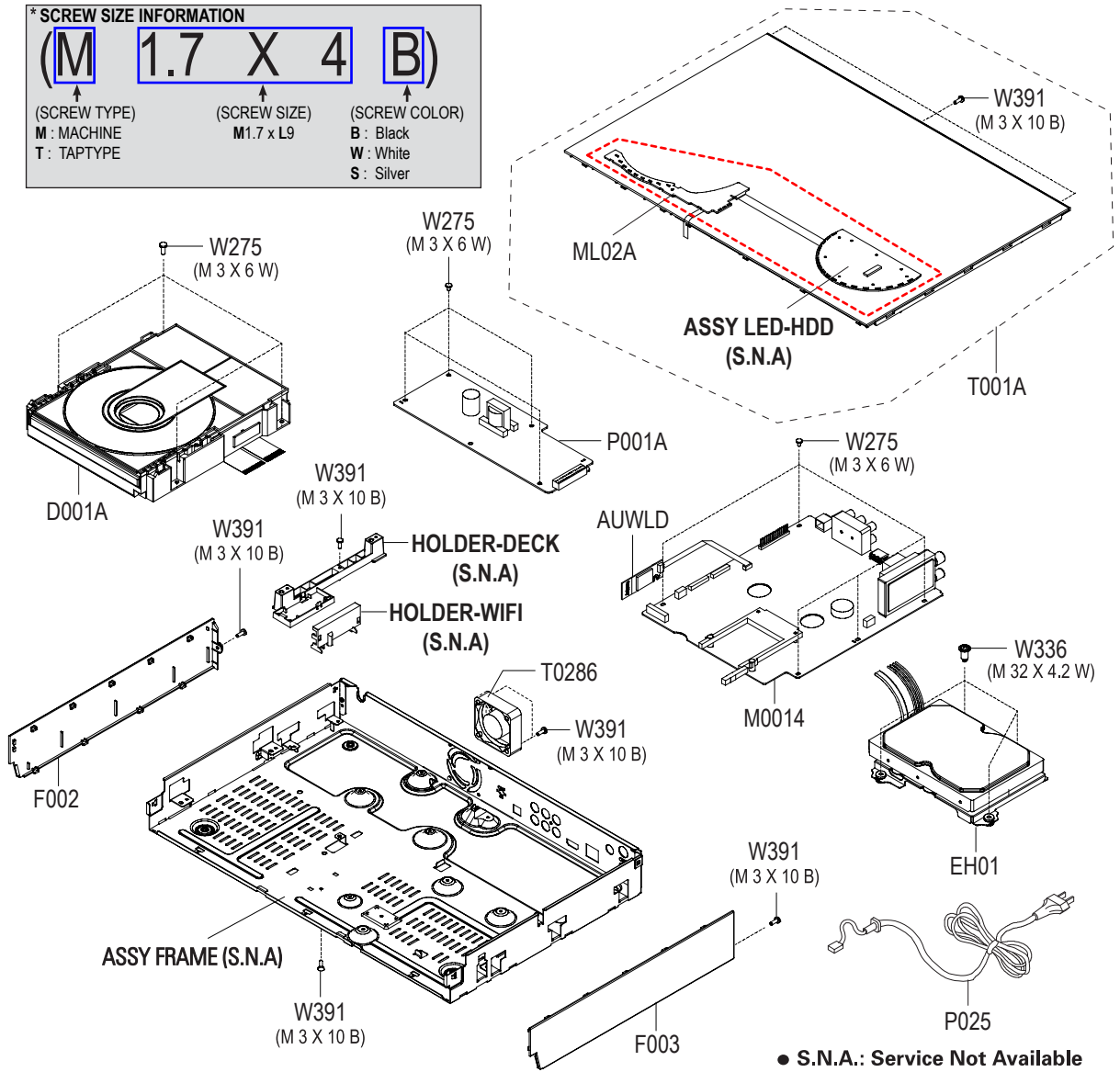
5-1 Cabinet Assembly----- 5-2

5-2 Electrical Parts List----- 5-4

5-1 Cabinet Assembly

***SCREW SIZE INFORMATION**

(M)	1.7 X 4	(B)
(SCREW TYPE)	(SCREW SIZE)	(SCREW COLOR)
M : MACHINE	M1.7 x L9	B : Black
T : TAPE TYPE		W : White
		S : Silver



Loc. No	Parts No.	Description / Specification	Qty	SNA	Remark
AUWLD	AK96-01284A	ASSY USB P-WIRELESS LAN MODULE;DNUB	1	SA	
C011	AK61-00137A	SPRING ETC-DOOR;DVD-R4000,COIL,PI0.	1	SA	
CN2	3722-002313	JACK-USB;4P/1C,AU30U,BLK,STRAIGHT,A	1	SA	
D001A	AK90-00080B	ASSY DECK-SKD;BD-C8500,SEIN,BD-P6B,	1	SA	
EH01	AK59-00108A	HDD;500G,ST3500312CS,63/track,16,16	1	SA	
F001A	AK96-01338D	ASSY COVER P-PANEL;BD-C8500S,XEG,AS	1	SA	
F002	AK64-02469A	PANEL-SIDE_L;BD-C8500,ABS,BLK,Hi-Gr	1	SA	
F003	AK64-02470A	PANEL-SIDE_R;BD-C8500,ABS,BLK,Hi-Gr	1	SA	
FD03	AK64-02464A	DOOR-TRAY;BD-C8500,ABS,Hi-grossy	1	SA	
FD19	AK64-02467A	DOOR-JACK;BD-C8500,ABS,Hi-Glossy, B	1	SA	
FD24	AK64-02465A	DOOR-HINGE_A;BD-C8500,ABS,Black	1	SA	
FD25	AK64-02466A	DOOR-HINGE_B;BD-C8500,ABS,Black	1	SA	
M0014	AK94-00292C	ASSY PCB MAIN;BD-C8500S,XEG,MAIN AS	1	SA	
MF01A	AK94-00298B	ASSY PCB FRONT-VFD;BD-C8500M,XEU,FR	1	SA	
ML02A	AK94-00296B	ASSY PCB LED-DECK;BD-C8500M,XEU,DEC	1	SA	
MU01A	AK94-00294A	ASSY PCB S-USB;BD-C8500,XEF,USB ASS	1	SA	
P001A	AK94-00293A	ASSY PCB SMPS;BD-C8500,XEF,SMPS ASS	1	SA	
P025	3903-000176	CBF-POWER CORD;AT,EU,CP2,HOUSING(2P	1	SA	
REMO2	AK59-00104S	REMOCON;TM1051,MULTI 24P,49,3V,PAL	1	SA	
T001A	AK96-01339B	ASSY COVER P-TOP;BD-C8500M,S,BD-C82	1	SA	
T0286	3103-001212	FAN-DC;12,80mA,2000rpm,0.11m^3/mi,0	1	SA	
W275	6003-001561	SCREW-TAPTYPE;BH,+,-,B,M3,L6,ZPC(WH	13	SA	
W336	6001-000742	SCREW-INCH MACH;PH,+,-,UNC6-32,L4.2,Z	4	SA	
W391	6003-000275	SCREW-TAPTYPE;BH,+,-,B,M3,L10,ZPC(BLK	12	SA	

Loc.No	Parts No	Description / Specification	Qty	S.N.A	Remark	Loc.No	Parts No	Description / Specification	Qty	S.N.A	Remark
C1176	2203-006158	C-CER,CHIP;100nF,10%,16V,X7R,1005	1	SNA		C1262	2203-006562	C-CER,CHIP;1000nF,10%,10V,X5R,TP,1	1	SNA	
C1177	2203-006158	C-CER,CHIP;100nF,10%,16V,X7R,1005	1	SNA		C1263	2203-002285	C-CER,CHIP;10nF,10%,50V,X7R,1005	1	SNA	
C1178	2203-006158	C-CER,CHIP;100nF,10%,16V,X7R,1005	1	SNA		C1264	2203-006336	C-CER,CHIP;10000nF,10%,25V,X5R,321	1	SA	
C1179	2203-006158	C-CER,CHIP;100nF,10%,16V,X7R,1005	1	SNA		C1265	2203-006361	C-CER,CHIP;10000nF,10%,10V,X5R,TP,1	1	SC	
C1180	2203-006158	C-CER,CHIP;100nF,10%,16V,X7R,1005	1	SNA		C13	2203-005249	C-CER,CHIP;100nF,10%,50V,X7R,TP,16	1	SNA	
C1181	2203-006158	C-CER,CHIP;100nF,10%,16V,X7R,1005	1	SNA		C1301	2203-006158	C-CER,CHIP;100nF,10%,16V,X7R,1005	1	SNA	
C1182	2203-006158	C-CER,CHIP;100nF,10%,16V,X7R,1005	1	SNA		C1302	2203-006158	C-CER,CHIP;100nF,10%,16V,X7R,1005	1	SNA	
C1183	2203-006158	C-CER,CHIP;100nF,10%,16V,X7R,1005	1	SNA		C1303	2203-006158	C-CER,CHIP;100nF,10%,16V,X7R,1005	1	SNA	
C1184	2203-006158	C-CER,CHIP;100nF,10%,16V,X7R,1005	1	SNA		C1304	2203-006158	C-CER,CHIP;100nF,10%,16V,X7R,1005	1	SNA	
C1185	2203-006158	C-CER,CHIP;100nF,10%,16V,X7R,1005	1	SNA		C1305	2203-006158	C-CER,CHIP;100nF,10%,16V,X7R,1005	1	SNA	
C1186	2203-006361	C-CER,CHIP;10000nF,10%,10V,X5R,TP,1	1	SC		C1306	2203-006158	C-CER,CHIP;100nF,10%,16V,X7R,1005	1	SNA	
C1187	2203-006158	C-CER,CHIP;100nF,10%,16V,X7R,1005	1	SNA		C1307	2203-005138	C-CER,CHIP;1.8nF,10%,50V,X7R,1005	1	SA	
C1188	2203-006361	C-CER,CHIP;10000nF,10%,10V,X5R,TP,1	1	SC		C1308	2203-005138	C-CER,CHIP;1.8nF,10%,50V,X7R,1005	1	SA	
C1189	2203-006158	C-CER,CHIP;100nF,10%,16V,X7R,1005	1	SNA		C1309	2203-005138	C-CER,CHIP;1.8nF,10%,50V,X7R,1005	1	SA	
C1190	2203-006158	C-CER,CHIP;100nF,10%,16V,X7R,1005	1	SNA		C1310	2203-006361	C-CER,CHIP;10000nF,10%,10V,X5R,TP,1	1	SC	
C1191	2203-006158	C-CER,CHIP;100nF,10%,16V,X7R,1005	1	SNA		C1311	2203-006361	C-CER,CHIP;10000nF,10%,10V,X5R,TP,1	1	SC	
C1192	2203-006158	C-CER,CHIP;100nF,10%,16V,X7R,1005	1	SNA		C133	2203-006361	C-CER,CHIP;10000nF,10%,10V,X5R,TP,1	1	SC	
C1193	2203-006158	C-CER,CHIP;100nF,10%,16V,X7R,1005	1	SNA		C134	2203-006158	C-CER,CHIP;100nF,10%,16V,X7R,1005	1	SNA	
C1194	2203-006158	C-CER,CHIP;100nF,10%,16V,X7R,1005	1	SNA		C135	2203-006158	C-CER,CHIP;100nF,10%,16V,X7R,1005	1	SNA	
C1195	2203-006158	C-CER,CHIP;100nF,10%,16V,X7R,1005	1	SNA		C136	2203-006361	C-CER,CHIP;10000nF,10%,10V,X5R,TP,1	1	SC	
C1196	2203-006158	C-CER,CHIP;100nF,10%,16V,X7R,1005	1	SNA		C137	2203-006158	C-CER,CHIP;100nF,10%,16V,X7R,1005	1	SNA	
C1197	2203-006158	C-CER,CHIP;100nF,10%,16V,X7R,1005	1	SNA		C138	2203-006158	C-CER,CHIP;100nF,10%,16V,X7R,1005	1	SNA	
C1198	2203-006158	C-CER,CHIP;100nF,10%,16V,X7R,1005	1	SNA		C139	2203-006158	C-CER,CHIP;100nF,10%,16V,X7R,1005	1	SNA	
C1199	2203-006361	C-CER,CHIP;10000nF,10%,10V,X5R,TP,1	1	SC		C14	2203-005249	C-CER,CHIP;100nF,10%,50V,X7R,TP,16	1	SNA	
C1201	2203-007270	C-CER,CHIP;10000nF,10%,10V,X5R,TP,1	1	SNA		C140	2203-006048	C-CER,CHIP;100nF,10%,10V,X7R,TP,10	1	SA	
C1203	2203-007270	C-CER,CHIP;10000nF,10%,10V,X5R,TP,1	1	SNA		C141	2203-006048	C-CER,CHIP;100nF,10%,10V,X7R,TP,10	1	SA	
C1204	2203-002285	C-CER,CHIP;10nF,10%,50V,X7R,1005	1	SNA		C142	2203-006048	C-CER,CHIP;100nF,10%,10V,X7R,TP,10	1	SA	
C1205	2203-002285	C-CER,CHIP;10nF,10%,50V,X7R,1005	1	SNA		C143	2203-006048	C-CER,CHIP;100nF,10%,10V,X7R,TP,10	1	SA	
C1207	2203-000888	C-CER,CHIP;4.7nF,10%,50V,X7R,TP,16	1	SA		C144	2203-006324	C-CER,CHIP;2200nF,10%,10V,X5R,1608	1	SA	
C1208	2203-002285	C-CER,CHIP;10nF,10%,50V,X7R,1005	1	SNA		C145	2203-006048	C-CER,CHIP;100nF,10%,10V,X7R,TP,10	1	SA	
C1210	2203-006560	C-CER,CHIP;22000nF,10%,10V,X5R,322	1	SA		C146	2203-006048	C-CER,CHIP;100nF,10%,10V,X7R,TP,10	1	SA	
C1212	2203-006048	C-CER,CHIP;100nF,10%,10V,X7R,TP,10	1	SA		C147	2203-006324	C-CER,CHIP;2200nF,10%,10V,X5R,1608	1	SA	
C1213	2203-006361	C-CER,CHIP;10000nF,10%,10V,X5R,TP,1	1	SC		C148	2203-006324	C-CER,CHIP;2200nF,10%,10V,X5R,1608	1	SA	
C1214	2203-006361	C-CER,CHIP;10000nF,10%,10V,X5R,TP,1	1	SC		C149	2203-006048	C-CER,CHIP;100nF,10%,10V,X7R,TP,10	1	SA	
C1215	2203-002285	C-CER,CHIP;10nF,10%,50V,X7R,1005	1	SNA		C15	2203-005659	C-CER,CHIP;0.18nF,5%,50V,NPO,1005	1	SNA	
C1216	2203-002285	C-CER,CHIP;10nF,10%,50V,X7R,1005	1	SNA		C150	2203-006361	C-CER,CHIP;10000nF,10%,10V,X5R,TP,1	1	SC	
C1217	2203-002285	C-CER,CHIP;10nF,10%,50V,X7R,1005	1	SNA		C151	2203-006158	C-CER,CHIP;100nF,10%,16V,X7R,1005	1	SNA	
C1218	2203-002285	C-CER,CHIP;10nF,10%,50V,X7R,1005	1	SNA		C152	2203-006562	C-CER,CHIP;1000nF,10%,10V,X5R,TP,1	1	SNA	
C1219	2203-007270	C-CER,CHIP;10000nF,10%,10V,X5R,TP,1	1	SNA		C153	2203-006562	C-CER,CHIP;1000nF,10%,10V,X5R,TP,1	1	SNA	
C1220	2203-007270	C-CER,CHIP;10000nF,10%,10V,X5R,TP,1	1	SNA		C154	2203-006562	C-CER,CHIP;1000nF,10%,10V,X5R,TP,1	1	SNA	
C1221	2203-000489	C-CER,CHIP;2.2nF,10%,50V,X7R,TP,10	1	SA		C155	2203-006562	C-CER,CHIP;1000nF,10%,10V,X5R,TP,1	1	SNA	
C1222	2203-007270	C-CER,CHIP;10000nF,10%,10V,X5R,TP,1	1	SNA		C156	2203-006158	C-CER,CHIP;100nF,10%,16V,X7R,1005	1	SNA	
C1223	2203-007270	C-CER,CHIP;10000nF,10%,10V,X5R,TP,1	1	SNA		C157	2203-006324	C-CER,CHIP;2200nF,10%,10V,X5R,1608	1	SA	
C1224	2203-000489	C-CER,CHIP;2.2nF,10%,50V,X7R,TP,10	1	SA		C158	2203-006562	C-CER,CHIP;1000nF,10%,10V,X5R,TP,1	1	SNA	
C1225	2203-006361	C-CER,CHIP;10000nF,10%,10V,X5R,TP,1	1	SC		C159	2203-006158	C-CER,CHIP;100nF,10%,16V,X7R,1005	1	SNA	
C1226	2203-006560	C-CER,CHIP;22000nF,10%,10V,X5R,322	1	SA		C16	2203-006158	C-CER,CHIP;100nF,10%,16V,X7R,1005	1	SNA	
C1227	2203-006560	C-CER,CHIP;22000nF,10%,10V,X5R,322	1	SA		C160	2203-006048	C-CER,CHIP;100nF,10%,10V,X7R,TP,10	1	SA	
C1228	2203-006048	C-CER,CHIP;100nF,10%,10V,X7R,TP,10	1	SA		C161	2203-006324	C-CER,CHIP;2200nF,10%,10V,X5R,1608	1	SA	
C1229	2203-006048	C-CER,CHIP;100nF,10%,10V,X7R,TP,10	1	SA		C162	2203-006474	C-CER,CHIP;22000nF,20%,6.3V,X5R,20	1	SA	
C1231	2203-006361	C-CER,CHIP;10000nF,10%,10V,X5R,TP,1	1	SC		C163	2203-006324	C-CER,CHIP;2200nF,10%,10V,X5R,1608	1	SA	
C1233	2203-006361	C-CER,CHIP;10000nF,10%,10V,X5R,TP,1	1	SC		C165	2203-000489	C-CER,CHIP;2.2nF,10%,50V,X7R,TP,10	1	SA	
C1239	2203-007270	C-CER,CHIP;10000nF,10%,10V,X5R,TP,1	1	SNA		C166	2203-000489	C-CER,CHIP;2.2nF,10%,50V,X7R,TP,10	1	SA	
C1241	2203-007270	C-CER,CHIP;10000nF,10%,10V,X5R,TP,1	1	SNA		C167	2203-006048	C-CER,CHIP;100nF,10%,10V,X7R,TP,10	1	SA	
C1245	2203-006336	C-CER,CHIP;10000nF,10%,25V,X5R,321	1	SA		C168	2203-006567	C-CER,CHIP;0.33nF,5%,50V,COG,1005	1	SNA	
C1247	2203-006560	C-CER,CHIP;22000nF,10%,10V,X5R,322	1	SA		C169	2203-006567	C-CER,CHIP;0.33nF,5%,50V,COG,1005	1	SNA	
C1250	2203-002285	C-CER,CHIP;10nF,10%,50V,X7R,1005	1	SNA		C17	2203-002285	C-CER,CHIP;10nF,10%,50V,X7R,1005	1	SNA	
C1251	2203-007270	C-CER,CHIP;10000nF,10%,10V,X5R,TP,1	1	SNA		C170	2203-006567	C-CER,CHIP;0.33nF,5%,50V,COG,1005	1	SNA	
C1252	2203-007270	C-CER,CHIP;10000nF,10%,10V,X5R,TP,1	1	SNA		C171	2203-006567	C-CER,CHIP;0.33nF,5%,50V,COG,1005	1	SNA	
C1253	2203-007270	C-CER,CHIP;10000nF,10%,10V,X5R,TP,1	1	SNA		C172	2203-006562	C-CER,CHIP;1000nF,10%,10V,X5R,TP,1	1	SNA	
C1255	2203-007270	C-CER,CHIP;10000nF,10%,10V,X5R,TP,1	1	SNA		C18	2203-001153	C-CER,CHIP;0.68nF,5%,50V,NPO,1005	1	SA	
C1256	2203-007270	C-CER,CHIP;10000nF,10%,10V,X5R,TP,1	1	SNA		C19	2203-006047	C-CER,CHIP;33nF,10%,16V,X7R,1005	1	SA	
C1259	2203-006336	C-CER,CHIP;10000nF,10%,25V,X5R,321	1	SA		C2	2203-006048	C-CER,CHIP;100nF,10%,10V,X7R,TP,10	1	SA	
C1260	2203-007270	C-CER,CHIP;10000nF,10%,10V,X5R,TP,1	1	SNA		C20	2203-006047	C-CER,CHIP;33nF,10%,16V,X7R,1005	1	SA	
C1261	2203-007270	C-CER,CHIP;10000nF,10%,10V,X5R,TP,1	1	SNA							

Exploded Views and Parts List

Loc.No	Parts No	Description / Specification	Qty	S.N.A	Remark	Loc.No	Parts No	Description / Specification	Qty	S.N.A	Remark
C200	2203-000714	C-CER,CHIP;3.3nF,10%,50V,X7R,TP,10	1	SA		C39	2203-006158	C-CER,CHIP;100nF,10%,16V,X7R,1005	1	SNA	
C201	2203-000714	C-CER,CHIP;3.3nF,10%,50V,X7R,TP,10	1	SA		C4	2203-006048	C-CER,CHIP;100nF,10%,10V,X7R,TP,10	1	SA	
C208	2203-006361	C-CER,CHIP;1000nF,10%,10V,X5R,TP,	1	SC		C40	2203-006158	C-CER,CHIP;100nF,10%,16V,X7R,1005	1	SNA	
C209	2203-006048	C-CER,CHIP;100nF,10%,10V,X7R,TP,10	1	SA		C405	2203-006048	C-CER,CHIP;100nF,10%,10V,X7R,TP,10	1	SA	
C21	2203-006158	C-CER,CHIP;100nF,10%,16V,X7R,1005	1	SNA		C406	2203-006048	C-CER,CHIP;100nF,10%,10V,X7R,TP,10	1	SA	
C210	2203-006048	C-CER,CHIP;100nF,10%,10V,X7R,TP,10	1	SA		C408	2203-006048	C-CER,CHIP;100nF,10%,10V,X7R,TP,10	1	SA	
C211	2203-007270	C-CER,CHIP;1000nF,10%,10V,X5R,TP,	1	SNA		C409	2203-006048	C-CER,CHIP;100nF,10%,10V,X7R,TP,10	1	SA	
C212	2203-007270	C-CER,CHIP;1000nF,10%,10V,X5R,TP,	1	SNA		C41	2203-001103	C-CER,CHIP;6.8nF,10%,50V,X7R,TP,16	1	SA	
C213	2203-006361	C-CER,CHIP;1000nF,10%,10V,X5R,TP,	1	SC		C4101	2203-006158	C-CER,CHIP;100nF,10%,16V,X7R,1005	1	SNA	
C214	2203-006048	C-CER,CHIP;100nF,10%,10V,X7R,TP,10	1	SA		C4102	2203-006158	C-CER,CHIP;100nF,10%,16V,X7R,1005	1	SNA	
C215	2203-006361	C-CER,CHIP;1000nF,10%,10V,X5R,TP,	1	SC		C4103	2203-006158	C-CER,CHIP;100nF,10%,16V,X7R,1005	1	SNA	
C216	2203-006048	C-CER,CHIP;100nF,10%,10V,X7R,TP,10	1	SA		C4104	2203-006048	C-CER,CHIP;100nF,10%,10V,X7R,TP,10	1	SA	
C219	2203-006048	C-CER,CHIP;100nF,10%,10V,X7R,TP,10	1	SA		C4105	2203-006158	C-CER,CHIP;100nF,10%,16V,X7R,1005	1	SNA	
C22	2203-005249	C-CER,CHIP;100nF,10%,50V,X7R,TP,16	1	SNA		C4106	2203-006048	C-CER,CHIP;100nF,10%,10V,X7R,TP,10	1	SA	
C220	2203-006048	C-CER,CHIP;100nF,10%,10V,X7R,TP,10	1	SA		C4107	2203-006158	C-CER,CHIP;100nF,10%,16V,X7R,1005	1	SNA	
C221	2203-006361	C-CER,CHIP;1000nF,10%,10V,X5R,TP,	1	SC		C4108	2203-006158	C-CER,CHIP;100nF,10%,16V,X7R,1005	1	SNA	
C222	2203-006048	C-CER,CHIP;100nF,10%,10V,X7R,TP,10	1	SA		C4109	2203-006158	C-CER,CHIP;100nF,10%,16V,X7R,1005	1	SNA	
C228	2203-002285	C-CER,CHIP;10nF,10%,50V,X7R,1005	1	SNA		C4110	2203-006158	C-CER,CHIP;100nF,10%,16V,X7R,1005	1	SNA	
C229	2203-002285	C-CER,CHIP;10nF,10%,50V,X7R,1005	1	SNA		C4111	2203-006158	C-CER,CHIP;100nF,10%,16V,X7R,1005	1	SNA	
C23	2203-005249	C-CER,CHIP;100nF,10%,50V,X7R,TP,16	1	SNA		C4112	2203-006158	C-CER,CHIP;100nF,10%,16V,X7R,1005	1	SNA	
C230	2203-000679	C-CER,CHIP;0.027nF,5%,50V,C0G,1005	1	SA		C4113	2203-006158	C-CER,CHIP;100nF,10%,16V,X7R,1005	1	SNA	
C231	2203-000679	C-CER,CHIP;0.027nF,5%,50V,C0G,1005	1	SA		C4114	2203-006048	C-CER,CHIP;100nF,10%,10V,X7R,TP,10	1	SA	
C24	2203-006047	C-CER,CHIP;33nF,10%,16V,X7R,1005	1	SA		C4115	2203-006158	C-CER,CHIP;100nF,10%,16V,X7R,1005	1	SNA	
C241	2203-006361	C-CER,CHIP;1000nF,10%,10V,X5R,TP,	1	SC		C4116	2203-006048	C-CER,CHIP;100nF,10%,10V,X7R,TP,10	1	SA	
C242	2203-006048	C-CER,CHIP;100nF,10%,10V,X7R,TP,10	1	SA		C4117	2203-006158	C-CER,CHIP;100nF,10%,16V,X7R,1005	1	SNA	
C243	2203-006048	C-CER,CHIP;100nF,10%,10V,X7R,TP,10	1	SA		C4118	2203-006158	C-CER,CHIP;100nF,10%,16V,X7R,1005	1	SNA	
C244	2203-006048	C-CER,CHIP;100nF,10%,10V,X7R,TP,10	1	SA		C4119	2203-006158	C-CER,CHIP;100nF,10%,16V,X7R,1005	1	SNA	
C245	2203-006048	C-CER,CHIP;100nF,10%,10V,X7R,TP,10	1	SA		C4120	2203-006158	C-CER,CHIP;100nF,10%,16V,X7R,1005	1	SNA	
C246	2203-006048	C-CER,CHIP;100nF,10%,10V,X7R,TP,10	1	SA		C4121	2203-006158	C-CER,CHIP;100nF,10%,16V,X7R,1005	1	SNA	
C247	2203-006048	C-CER,CHIP;100nF,10%,10V,X7R,TP,10	1	SA		C4122	2203-006158	C-CER,CHIP;100nF,10%,16V,X7R,1005	1	SNA	
C25	2203-006047	C-CER,CHIP;33nF,10%,16V,X7R,1005	1	SA		C4123	2203-006158	C-CER,CHIP;100nF,10%,16V,X7R,1005	1	SNA	
C250	2203-007270	C-CER,CHIP;1000nF,10%,10V,X5R,TP,	1	SNA		C4124	2203-006158	C-CER,CHIP;100nF,10%,16V,X7R,1005	1	SNA	
C251	2203-007270	C-CER,CHIP;1000nF,10%,10V,X5R,TP,	1	SNA		C4125	2203-006158	C-CER,CHIP;100nF,10%,16V,X7R,1005	1	SNA	
C252	2203-007270	C-CER,CHIP;1000nF,10%,10V,X5R,TP,	1	SNA		C4126	2203-006158	C-CER,CHIP;100nF,10%,16V,X7R,1005	1	SNA	
C253	2203-006048	C-CER,CHIP;100nF,10%,10V,X7R,TP,10	1	SA		C4127	2203-006158	C-CER,CHIP;100nF,10%,16V,X7R,1005	1	SNA	
C254	2203-000714	C-CER,CHIP;3.3nF,10%,50V,X7R,TP,10	1	SA		C4128	2203-006158	C-CER,CHIP;100nF,10%,16V,X7R,1005	1	SNA	
C255	2203-000714	C-CER,CHIP;3.3nF,10%,50V,X7R,TP,10	1	SA		C4129	2203-006158	C-CER,CHIP;100nF,10%,16V,X7R,1005	1	SNA	
C26	2203-005249	C-CER,CHIP;100nF,10%,50V,X7R,TP,16	1	SNA		C4130	2203-006158	C-CER,CHIP;100nF,10%,16V,X7R,1005	1	SNA	
C27	2203-005249	C-CER,CHIP;100nF,10%,50V,X7R,TP,16	1	SNA		C4131	2203-006158	C-CER,CHIP;100nF,10%,16V,X7R,1005	1	SNA	
C28	2203-006047	C-CER,CHIP;33nF,10%,16V,X7R,1005	1	SA		C4132	2203-006158	C-CER,CHIP;100nF,10%,16V,X7R,1005	1	SNA	
C29	2203-005249	C-CER,CHIP;100nF,10%,50V,X7R,TP,16	1	SNA		C4133	2203-006158	C-CER,CHIP;100nF,10%,16V,X7R,1005	1	SNA	
C3	2203-006048	C-CER,CHIP;100nF,10%,10V,X7R,TP,10	1	SA		C4134	2203-006158	C-CER,CHIP;100nF,10%,16V,X7R,1005	1	SNA	
C30	2203-006336	C-CER,CHIP;1000nF,10%,25V,X5R,321	1	SA		C4135	2203-006158	C-CER,CHIP;100nF,10%,16V,X7R,1005	1	SNA	
C301	2203-006048	C-CER,CHIP;100nF,10%,10V,X7R,TP,10	1	SA		C4136	2203-006158	C-CER,CHIP;100nF,10%,16V,X7R,1005	1	SNA	
C302	2203-006048	C-CER,CHIP;100nF,10%,10V,X7R,TP,10	1	SA		C4137	2203-006158	C-CER,CHIP;100nF,10%,16V,X7R,1005	1	SNA	
C303	2203-006048	C-CER,CHIP;100nF,10%,10V,X7R,TP,10	1	SA		C4138	2203-006158	C-CER,CHIP;100nF,10%,16V,X7R,1005	1	SNA	
C304	2203-006048	C-CER,CHIP;100nF,10%,10V,X7R,TP,10	1	SA		C4139	2203-006158	C-CER,CHIP;100nF,10%,16V,X7R,1005	1	SNA	
C305	2203-006361	C-CER,CHIP;1000nF,10%,10V,X5R,TP,	1	SC		C4140	2203-006158	C-CER,CHIP;100nF,10%,16V,X7R,1005	1	SNA	
C306	2203-006562	C-CER,CHIP;100nF,10%,10V,X5R,TP,1	1	SNA		C4141	2203-006158	C-CER,CHIP;100nF,10%,16V,X7R,1005	1	SNA	
C307	2203-000384	C-CER,CHIP;0.015nF,5%,50V,C0G,1608	1	SNA		C4142	2203-006158	C-CER,CHIP;100nF,10%,16V,X7R,1005	1	SNA	
C308	2203-000041	C-CER,CHIP;0.01nF,0.25pF,50V,C0G,1	1	SA		C4143	2203-006158	C-CER,CHIP;100nF,10%,16V,X7R,1005	1	SNA	
C309	2203-005249	C-CER,CHIP;100nF,10%,50V,X7R,TP,16	1	SNA		C42	2203-005249	C-CER,CHIP;100nF,10%,50V,X7R,TP,16	1	SNA	
C31	2203-006047	C-CER,CHIP;33nF,10%,16V,X7R,1005	1	SA		C424	2203-006048	C-CER,CHIP;100nF,10%,10V,X7R,TP,10	1	SA	
C312	2203-006158	C-CER,CHIP;100nF,10%,16V,X7R,1005	1	SNA		C425	2203-005138	C-CER,CHIP;1.8nF,10%,50V,X7R,1005	1	SA	
C313	2203-006158	C-CER,CHIP;100nF,10%,16V,X7R,1005	1	SNA		C43	2203-001103	C-CER,CHIP;6.8nF,10%,50V,X7R,TP,16	1	SA	
C314	2203-006170	C-CER,CHIP;220nF,10%,16V,X7R,1608	1	SNA		C438	2203-006048	C-CER,CHIP;100nF,10%,10V,X7R,TP,10	1	SA	
C315	2203-007233	C-CER,CHIP;2200nF,10%,16V,X5R,TP,	1	SA		C439	2203-006048	C-CER,CHIP;100nF,10%,10V,X7R,TP,10	1	SA	
C33	2203-005249	C-CER,CHIP;100nF,10%,50V,X7R,TP,16	1	SNA		C44	2203-005249	C-CER,CHIP;100nF,10%,50V,X7R,TP,16	1	SNA	
C34	2203-006336	C-CER,CHIP;1000nF,10%,25V,X5R,321	1	SA		C440	2203-006048	C-CER,CHIP;100nF,10%,10V,X7R,TP,10	1	SA	
C35	2203-006158	C-CER,CHIP;100nF,10%,16V,X7R,1005	1	SNA		C441	2203-006048	C-CER,CHIP;100nF,10%,10V,X7R,TP,10	1	SA	
C36	2203-007270	C-CER,CHIP;1000nF,10%,10V,X5R,TP,	1	SNA		C444	2203-006361	C-CER,CHIP;1000nF,10%,10V,X5R,TP,	1	SC	
C37	2203-006158	C-CER,CHIP;100nF,10%,16V,X7R,1005	1	SNA		C445	2203-006361	C-CER,CHIP;1000nF,10%,10V,X5R,TP,	1	SC	
C38	2203-006158	C-CER,CHIP;100nF,10%,16V,X7R,1005	1	SNA		C446	2203-006361	C-CER,CHIP;1000nF,10%,10V,X5R,TP,	1	SC	
						C447	2203-006361	C-CER,CHIP;1000nF,10%,10V,X5R,TP,	1	SC	

Loc.No	Parts No	Description / Specification	Qty	S.N.A	Remark	Loc.No	Parts No	Description / Specification	Qty	S.N.A	Remark
C448	2203-006158	C-CER,CHIP;100nF,10%,16V,X7R,1005	1	SNA		C60	2203-006158	C-CER,CHIP;100nF,10%,16V,X7R,1005	1	SNA	
C449	2203-006158	C-CER,CHIP;100nF,10%,16V,X7R,1005	1	SNA		C601	2203-006048	C-CER,CHIP;100nF,10%,10V,X7R,TP,10	1	SA	
C45	2203-005249	C-CER,CHIP;100nF,10%,50V,X7R,TP,16	1	SNA		C602	2203-006048	C-CER,CHIP;100nF,10%,10V,X7R,TP,10	1	SA	
C450	2203-006158	C-CER,CHIP;100nF,10%,16V,X7R,1005	1	SNA		C603	2203-006048	C-CER,CHIP;100nF,10%,10V,X7R,TP,10	1	SA	
C451	2203-006158	C-CER,CHIP;100nF,10%,16V,X7R,1005	1	SNA		C604	2203-006048	C-CER,CHIP;100nF,10%,10V,X7R,TP,10	1	SA	
C454	2203-006158	C-CER,CHIP;100nF,10%,16V,X7R,1005	1	SNA		C605	2203-006048	C-CER,CHIP;100nF,10%,10V,X7R,TP,10	1	SA	
C455	2203-006158	C-CER,CHIP;100nF,10%,16V,X7R,1005	1	SNA		C606	2203-006048	C-CER,CHIP;100nF,10%,10V,X7R,TP,10	1	SA	
C456	2203-006158	C-CER,CHIP;100nF,10%,16V,X7R,1005	1	SNA		C607	2203-006048	C-CER,CHIP;100nF,10%,10V,X7R,TP,10	1	SA	
C457	2203-006158	C-CER,CHIP;100nF,10%,16V,X7R,1005	1	SNA		C608	2203-006048	C-CER,CHIP;100nF,10%,10V,X7R,TP,10	1	SA	
C458	2203-006048	C-CER,CHIP;100nF,10%,10V,X7R,TP,10	1	SA		C609	2203-002285	C-CER,CHIP;10nF,10%,50V,X7R,1005	1	SNA	
C459	2203-006158	C-CER,CHIP;100nF,10%,16V,X7R,1005	1	SNA		C61	2203-006158	C-CER,CHIP;100nF,10%,16V,X7R,1005	1	SNA	
C46	2203-006158	C-CER,CHIP;100nF,10%,16V,X7R,1005	1	SNA		C610	2203-002285	C-CER,CHIP;10nF,10%,50V,X7R,1005	1	SNA	
C462	2203-006158	C-CER,CHIP;100nF,10%,16V,X7R,1005	1	SNA		C611	2203-002285	C-CER,CHIP;10nF,10%,50V,X7R,1005	1	SNA	
C463	2203-006158	C-CER,CHIP;100nF,10%,16V,X7R,1005	1	SNA		C612	2203-002285	C-CER,CHIP;10nF,10%,50V,X7R,1005	1	SNA	
C464	2203-006158	C-CER,CHIP;100nF,10%,16V,X7R,1005	1	SNA		C62	2203-006158	C-CER,CHIP;100nF,10%,16V,X7R,1005	1	SNA	
C465	2203-006158	C-CER,CHIP;100nF,10%,16V,X7R,1005	1	SNA		C621	2203-002285	C-CER,CHIP;10nF,10%,50V,X7R,1005	1	SNA	
C466	2203-006158	C-CER,CHIP;100nF,10%,16V,X7R,1005	1	SNA		C622	2203-002285	C-CER,CHIP;10nF,10%,50V,X7R,1005	1	SNA	
C467	2203-006048	C-CER,CHIP;100nF,10%,10V,X7R,TP,10	1	SA		C623	2203-002285	C-CER,CHIP;10nF,10%,50V,X7R,1005	1	SNA	
C468	2203-006048	C-CER,CHIP;100nF,10%,10V,X7R,TP,10	1	SA		C624	2203-002285	C-CER,CHIP;10nF,10%,50V,X7R,1005	1	SNA	
C469	2203-006158	C-CER,CHIP;100nF,10%,16V,X7R,1005	1	SNA		C63	2203-006158	C-CER,CHIP;100nF,10%,16V,X7R,1005	1	SNA	
C47	2203-005642	C-CER,CHIP;0.22nF,5%,50V,NP0,1005	1	SNA		C64	2203-006158	C-CER,CHIP;100nF,10%,16V,X7R,1005	1	SNA	
C470	2203-006158	C-CER,CHIP;100nF,10%,16V,X7R,1005	1	SNA		C67	2203-006158	C-CER,CHIP;100nF,10%,16V,X7R,1005	1	SNA	
C471	2203-006048	C-CER,CHIP;100nF,10%,10V,X7R,TP,10	1	SA		C68	2203-000679	C-CER,CHIP;0.027nF,5%,50V,C0G,1005	1	SA	
C472	2203-006158	C-CER,CHIP;100nF,10%,16V,X7R,1005	1	SNA		C69	2203-000679	C-CER,CHIP;0.027nF,5%,50V,C0G,1005	1	SA	
C473	2203-006158	C-CER,CHIP;100nF,10%,16V,X7R,1005	1	SNA		C7	2203-006048	C-CER,CHIP;100nF,10%,10V,X7R,TP,10	1	SA	
C474	2203-006158	C-CER,CHIP;100nF,10%,16V,X7R,1005	1	SNA		C70	2203-006158	C-CER,CHIP;100nF,10%,16V,X7R,1005	1	SNA	
C475	2203-006158	C-CER,CHIP;100nF,10%,16V,X7R,1005	1	SNA		C701	2203-006361	C-CER,CHIP;10000nF,10%,10V,X5R,TP,10	1	SC	
C476	2203-006158	C-CER,CHIP;100nF,10%,16V,X7R,1005	1	SNA		C702	2203-006048	C-CER,CHIP;100nF,10%,10V,X7R,TP,10	1	SA	
C477	2203-006158	C-CER,CHIP;100nF,10%,16V,X7R,1005	1	SNA		C703	2203-006048	C-CER,CHIP;100nF,10%,10V,X7R,TP,10	1	SA	
C478	2203-006158	C-CER,CHIP;100nF,10%,16V,X7R,1005	1	SNA		C71	2203-006158	C-CER,CHIP;100nF,10%,16V,X7R,1005	1	SNA	
C479	2203-006158	C-CER,CHIP;100nF,10%,16V,X7R,1005	1	SNA		C72	2203-006158	C-CER,CHIP;100nF,10%,16V,X7R,1005	1	SNA	
C48	2203-005642	C-CER,CHIP;0.22nF,5%,50V,NP0,1005	1	SNA		C73	2203-006158	C-CER,CHIP;100nF,10%,16V,X7R,1005	1	SNA	
C480	2203-006158	C-CER,CHIP;100nF,10%,16V,X7R,1005	1	SNA		C75	2203-006158	C-CER,CHIP;100nF,10%,16V,X7R,1005	1	SNA	
C481	2203-006158	C-CER,CHIP;100nF,10%,16V,X7R,1005	1	SNA		C76	2203-006158	C-CER,CHIP;100nF,10%,16V,X7R,1005	1	SNA	
C482	2203-006158	C-CER,CHIP;100nF,10%,16V,X7R,1005	1	SNA		C77	2203-006158	C-CER,CHIP;100nF,10%,16V,X7R,1005	1	SNA	
C483	2203-006158	C-CER,CHIP;100nF,10%,16V,X7R,1005	1	SNA		C78	2203-006158	C-CER,CHIP;100nF,10%,16V,X7R,1005	1	SNA	
C484	2203-006158	C-CER,CHIP;100nF,10%,16V,X7R,1005	1	SNA		C79	2203-006158	C-CER,CHIP;100nF,10%,16V,X7R,1005	1	SNA	
C485	2203-006158	C-CER,CHIP;100nF,10%,16V,X7R,1005	1	SNA		C8	2203-006048	C-CER,CHIP;100nF,10%,10V,X7R,TP,10	1	SA	
C486	2203-006158	C-CER,CHIP;100nF,10%,16V,X7R,1005	1	SNA		C80	2203-006158	C-CER,CHIP;100nF,10%,16V,X7R,1005	1	SNA	
C487	2203-006158	C-CER,CHIP;100nF,10%,16V,X7R,1005	1	SNA		C801	2203-006361	C-CER,CHIP;10000nF,10%,10V,X5R,TP,10	1	SC	
C488	2203-006158	C-CER,CHIP;100nF,10%,16V,X7R,1005	1	SNA		C802	2203-006158	C-CER,CHIP;100nF,10%,16V,X7R,1005	1	SNA	
C489	2203-006158	C-CER,CHIP;100nF,10%,16V,X7R,1005	1	SNA		C803	2203-006361	C-CER,CHIP;10000nF,10%,10V,X5R,TP,10	1	SC	
C49	2203-005642	C-CER,CHIP;0.22nF,5%,50V,NP0,1005	1	SNA		C804	2203-006158	C-CER,CHIP;100nF,10%,16V,X7R,1005	1	SNA	
C490	2203-006158	C-CER,CHIP;100nF,10%,16V,X7R,1005	1	SNA		C805	2203-006361	C-CER,CHIP;10000nF,10%,10V,X5R,TP,10	1	SC	
C491	2203-006158	C-CER,CHIP;100nF,10%,16V,X7R,1005	1	SNA		C806	2203-006158	C-CER,CHIP;100nF,10%,16V,X7R,1005	1	SNA	
C492	2203-006361	C-CER,CHIP;10000nF,10%,10V,X5R,TP,10	1	SC		C807	2203-006361	C-CER,CHIP;10000nF,10%,10V,X5R,TP,10	1	SC	
C493	2203-006361	C-CER,CHIP;10000nF,10%,10V,X5R,TP,10	1	SC		C81	2203-006158	C-CER,CHIP;100nF,10%,16V,X7R,1005	1	SNA	
C494	2203-006361	C-CER,CHIP;10000nF,10%,10V,X5R,TP,10	1	SC		C812	2203-006336	C-CER,CHIP;10000nF,10%,25V,X5R,321	1	SA	
C495	2203-006361	C-CER,CHIP;10000nF,10%,10V,X5R,TP,10	1	SC		C813	2203-006336	C-CER,CHIP;10000nF,10%,25V,X5R,321	1	SA	
C498	2203-006158	C-CER,CHIP;100nF,10%,16V,X7R,1005	1	SNA		C815	2203-006560	C-CER,CHIP;22000nF,10%,10V,X5R,322	1	SA	
C5	2203-006048	C-CER,CHIP;100nF,10%,10V,X7R,TP,10	1	SA		C816	2203-006048	C-CER,CHIP;100nF,10%,10V,X7R,TP,10	1	SA	
C50	2203-005642	C-CER,CHIP;0.22nF,5%,50V,NP0,1005	1	SNA		C818	2203-007270	C-CER,CHIP;10000nF,10%,10V,X5R,TP,10	1	SNA	
C505	2203-006048	C-CER,CHIP;100nF,10%,10V,X7R,TP,10	1	SA		C82	2203-006158	C-CER,CHIP;100nF,10%,16V,X7R,1005	1	SNA	
C507	2203-006048	C-CER,CHIP;100nF,10%,10V,X7R,TP,10	1	SA		C821	2203-006361	C-CER,CHIP;10000nF,10%,10V,X5R,TP,10	1	SC	
C51	2203-006158	C-CER,CHIP;100nF,10%,16V,X7R,1005	1	SNA		C822	2203-006361	C-CER,CHIP;10000nF,10%,10V,X5R,TP,10	1	SC	
C52	2203-006158	C-CER,CHIP;100nF,10%,16V,X7R,1005	1	SNA		C823	2203-001052	C-CER,CHIP;0.56nF,10%,50V,X7R,TP,10	1	SNA	
C53	2203-000438	C-CER,CHIP;1nF,10%,50V,X7R,TP,1005	1	SA		C824	2203-006361	C-CER,CHIP;10000nF,10%,10V,X5R,TP,10	1	SC	
C54	2203-000438	C-CER,CHIP;1nF,10%,50V,X7R,TP,1005	1	SA		C83	2203-006158	C-CER,CHIP;100nF,10%,16V,X7R,1005	1	SNA	
C55	2203-000233	C-CER,CHIP;0.1nF,5%,50V,C0G,TP,100	1	SA		C831	2402-001268	C-AL,SMD;100uF,20%,25V,WT,TP,8x6.3	1	SA	
C56	2203-000233	C-CER,CHIP;0.1nF,5%,50V,C0G,TP,100	1	SA		C832	2203-001428	C-CER,CHIP;470nF,10%,50V,X7R,TP,20	1	SNA	
C57	2203-006361	C-CER,CHIP;10000nF,10%,10V,X5R,TP,10	1	SC		C833	2203-005249	C-CER,CHIP;100nF,10%,50V,X7R,TP,16	1	SNA	
C58	2203-006361	C-CER,CHIP;10000nF,10%,10V,X5R,TP,10	1	SC		C834	2402-001268	C-AL,SMD;100uF,20%,25V,WT,TP,8x6.3	1	SA	
C59	2203-006158	C-CER,CHIP;100nF,10%,16V,X7R,1005	1	SNA		C835	2203-001428	C-CER,CHIP;470nF,10%,50V,X7R,TP,20	1	SNA	

Exploded Views and Parts List

Loc.No	Parts No	Description / Specification	Qty	S.N.A	Remark	Loc.No	Parts No	Description / Specification	Qty	S.N.A	Remark
C836	2402-001254	C-AL,SMD;10uF,20%,50V,WT,TP,6.3x5.	1	SA		IC1004	0801-002097	IC-CMOS LOGIC;7ST08,AND GATE,SOP,5	1	SNA	
C837	2203-000257	C-CER,CHIP;10nF,10%,50V,X7R,TP,160	1	SA		IC1005	0801-002487	IC-CMOS LOGIC;7SZ126,BUFFER,SC-70,	1	SA	
C838	2203-000575	C-CER,CHIP;220nF,10%,25V,X7R,TP,20	1	SNA		IC1006	1203-004364	IC-VOL. DETECTOR;RT9818C-42PV,SOT-	1	SA	
C839	2203-000575	C-CER,CHIP;220nF,10%,25V,X7R,TP,20	1	SNA		IC102	1002-001581	IC-D/A CONVERTER;CS4353-CNZR,24,QF	1	SNA	
C84	2203-006158	C-CER,CHIP;100nF,10%,16V,X7R,1005	1	SNA		IC103	1201-003013	IC-VIDEO AMP;MM1797EVEB,TSOP-16B,1	1	SNA	
C840	2203-005249	C-CER,CHIP;100nF,10%,50V,X7R,TP,16	1	SNA		IC1201	1203-006135	IC-POSI.FIXED REG.;AP1117D-33-GZ-1	1	SA	
C841	2402-001268	C-AL,SMD;100uF,20%,25V,WT,TP,8x6.3	1	SA		IC1205	1203-005538	IC-DC/DC CONVERTER;AOZ1021HAIL,SOP	1	SA	
C842	2203-005249	C-CER,CHIP;100nF,10%,50V,X7R,TP,16	1	SNA		IC1206	1203-005538	IC-DC/DC CONVERTER;AOZ1021HAIL,SOP	1	SA	
C843	2203-001428	C-CER,CHIP;470nF,10%,50V,X7R,TP,20	1	SNA		IC1207	1203-005603	IC-DC/DC CONVERTER;AOZ1024DI,DFN,8	1	SA	
C85	2203-005249	C-CER,CHIP;100nF,10%,50V,X7R,TP,16	1	SNA		IC1208	1203-006133	IC-POSI.ADJUST REG.;AP1117D-25-GZ-	1	SA	
C850	2203-007270	C-CER,CHIP;1000nF,10%,10V,X5R,TP,	1	SNA		IC1209	1203-002835	IC-POSI.FIXED REG.;KIA7805AF,DPAK,	1	SA	
C851	2203-002285	C-CER,CHIP;10nF,10%,50V,X7R,1005	1	SNA		IC1501	1203-006135	IC-POSI.FIXED REG.;AP1117D-33-GZ-1	1	SA	
C852	2203-002285	C-CER,CHIP;10nF,10%,50V,X7R,1005	1	SNA		IC1502	1203-001815	IC-POSI.FIXED REG.;78M09,TO-252,3P	1	SA	
C86	2203-005249	C-CER,CHIP;100nF,10%,50V,X7R,TP,16	1	SNA		IC1503	1203-003571	IC-POSI.FIXED REG.;MM1701CHBE,HSOP	1	SA	
C87	2203-006333	C-CER,CHIP;1000nF,20%,16V,X5R,TP,	1	SNA		IC1504	1001-001305	IC-ANALOG SWITCH;74HC4066PW,TSOP,	1	SA	
C88	2203-006333	C-CER,CHIP;1000nF,20%,16V,X5R,TP,	1	SNA		IC1506	1201-000166	IC-OP AMP;LM358,SOP,ST,8P,150MIL,D	1	SA	
C89	2203-006336	C-CER,CHIP;1000nF,10%,25V,X5R,321	1	SA		IC1508	1003-002187	IC-MOTOR DRIVER;AM9268,SOP,42P,18x	1	SA	
C90	2203-006336	C-CER,CHIP;1000nF,10%,25V,X5R,321	1	SA		IC1509	1003-002188	IC-MOTOR DRIVER;AM9858,SOP,28P,18x	1	SNA	
C901	2203-006158	C-CER,CHIP;100nF,10%,16V,X7R,1005	1	SNA		IC1510	AK97-04133A	ASSY MICOM-RAPTOR,BD-C8500/XEF,RAP	1	SNA	
C902	2203-006158	C-CER,CHIP;100nF,10%,16V,X7R,1005	1	SNA		IC201	1203-005671	IC-POWER SUPERVISOR;AP2191WG-7,SOT	1	SNA	
C903	2203-006158	C-CER,CHIP;100nF,10%,16V,X7R,1005	1	SNA		IC202	1203-005671	IC-POWER SUPERVISOR;AP2191WG-7,SOT	1	SNA	
C904	2203-006158	C-CER,CHIP;100nF,10%,16V,X7R,1005	1	SNA		IC203	1205-003834	IC-ETHERNET CONTROLLER;RTL8201E-VC	1	SA	
C905	2203-006158	C-CER,CHIP;100nF,10%,16V,X7R,1005	1	SNA		IC204	1203-004364	IC-VOL. DETECTOR;RT9818C-42PV,SOT-	1	SA	
C906	2203-006048	C-CER,CHIP;100nF,10%,10V,X7R,TP,10	1	SA		IC29	1204-003140	IC-ENCODER/DECODER;SDP93,FCPBGAH,7	1	SA	
C907	2203-006158	C-CER,CHIP;100nF,10%,16V,X7R,1005	1	SNA		IC29H	BN62-00043A	HEAT SINK;ES;40*40*5,Ceramic,T1.5,	1	SNA	
C908	2203-006048	C-CER,CHIP;100nF,10%,10V,X7R,TP,10	1	SA		IC301	1203-006067	IC-POWER SUPERVISOR;TPS2553DBVR,SO	1	SNA	
C909	2203-006158	C-CER,CHIP;100nF,10%,16V,X7R,1005	1	SNA		IC4	1105-002066	IC-DRAM;K4B1G1646E-HCH9,DDR3 SDRAM	1	SNA	
C91	2203-006361	C-CER,CHIP;1000nF,10%,10V,X5R,TP,	1	SC		IC5	1105-002066	IC-DRAM;K4B1G1646E-HCH9,DDR3 SDRAM	1	SNA	
C910	2203-006361	C-CER,CHIP;1000nF,10%,10V,X5R,TP,	1	SC		IC502	1103-001406	IC-EEPROM;AT24C512BN-SH25-T,512Kbi	1	SNA	
C911	2203-006158	C-CER,CHIP;100nF,10%,16V,X7R,1005	1	SNA		IC6	1105-002066	IC-DRAM;K4B1G1646E-HCH9,DDR3 SDRAM	1	SNA	
C912	2203-006158	C-CER,CHIP;100nF,10%,16V,X7R,1005	1	SNA		IC7	1105-002066	IC-DRAM;K4B1G1646E-HCH9,DDR3 SDRAM	1	SNA	
C913	2203-006048	C-CER,CHIP;100nF,10%,10V,X7R,TP,10	1	SA		IC701	AK97-04196A	ASSY MICOM-FLASH;BD-C8500M/XEU,MAI	1	SNA	
C914	2203-006158	C-CER,CHIP;100nF,10%,16V,X7R,1005	1	SNA		IC701	1107-001818	IC-NAND FLASH;KFG1G16J2C-D1B6,1024	1	SNA	
C92	2203-006361	C-CER,CHIP;1000nF,10%,10V,X5R,TP,	1	SC		IC803	1203-002835	IC-POSI.FIXED REG.;KIA7805AF,DPAK,	1	SA	
C93	2203-002285	C-CER,CHIP;10nF,10%,50V,X7R,1005	1	SNA		IC804	1203-005663	IC-DC/DC CONVERTER;LNBH23QTR,QFN,3	1	SA	
C94	2203-006562	C-CER,CHIP;1000nF,10%,10V,X5R,TP,1	1	SNA		IC805	1203-005756	IC-POSI.ADJUST REG.;AP7173-SP,SOP-	1	SA	
C95	2203-002285	C-CER,CHIP;10nF,10%,50V,X7R,1005	1	SNA		IC806	1203-006135	IC-POSI.FIXED REG.;AP1117D-33-GZ-1	1	SA	
C96	2203-002285	C-CER,CHIP;10nF,10%,50V,X7R,1005	1	SNA		IC901	1205-003922	IC-INTERFACE;CXD2099AR-T6,LQFP,100	1	SNA	
C97	2203-002285	C-CER,CHIP;10nF,10%,50V,X7R,1005	1	SNA		IC902	0801-002345	IC-CMOS LOGIC;7S04,INVERTER,SOT-35	1	SA	
C98	2203-002285	C-CER,CHIP;10nF,10%,50V,X7R,1005	1	SNA		IC903	0801-002345	IC-CMOS LOGIC;7S04,INVERTER,SOT-35	1	SA	
CN1	3708-002603	CONNECTOR-FPC/FFC/PIC;22P,1mm,SMD-	1	SNA		IC904	0801-002327	IC-CMOS LOGIC;74LX74,D FLIP-FLOP,	1	SA	
CN1001	3708-001692	CONNECTOR-FPC/FFC/PIC;18P,1.25mm,S	1	SA		IC905	1205-003479	IC-SWITCH;TPS2051BDBVR,SOT-23,5P,2	1	SA	
CN101	3722-003021	JACK-PIN;6P (W/L),NI+S,RED/BLU/GR	1	SA		IC906	0801-002701	IC-CMOS LOGIC;74VHCT125A,BUFFER,TS	1	SA	
CN1202	3711-005314	HEADER-BOARD TO BOARD;NOWALL,16P,1	1	SA		L101	2703-000166	INDUCTOR-SMD;2.7uH,5%,3225	1	SA	
CN2	3708-001935	CONNECTOR-FPC/FFC/PIC;40P,0.5mm,SM	1	SNA		L1202	2703-003559	INDUCTOR-SMD;4.7uH,20%,8080	1	SNA	
CN202	3722-002549	JACK-MODULAR;12P/8C,N,ANGLE,N,AU,1	1	SA		L1203	2703-003559	INDUCTOR-SMD;4.7uH,20%,8080	1	SNA	
CN203	3708-002140	CONNECTOR-FPC/FFC/PIC;5P,1mm,SMD-S	1	SNA		L1204	2703-003559	INDUCTOR-SMD;4.7uH,20%,8080	1	SNA	
CN206	3708-002140	CONNECTOR-FPC/FFC/PIC;5P,1mm,SMD-S	1	SNA		L201	2704-000011	INDUCTOR-SMD-ARRAY;90ohm,50V,330mA	1	SA	
CN206A	3809-002603	CABLE-FLAT;60V,105C,110mm,5P,1mm,U	1	SNA		L801	2703-003637	INDUCTOR-SMD;22uH,20%,7070	1	SA	
CN301	3701-001293	CONNECTOR-HDMI;19P,2R,FEMALE,SMD-A	1	SA		L802	2703-003636	INDUCTOR-SMD;270uH,20%,10x10mm	1	SA	
CN602	3711-006947	CONNECTOR-HEADER;1WALL,7P,1R,1.27m	1	SNA		OP101	3707-001094	CONNECTOR-OPTICAL;ANGLE-TX	1	SA	
CN604	3711-004379	HEADER-BOARD TO CABLE;BOX,4P,1R,2m	1	SA		P1	1404-001328	THERMISTOR-NTC;10Kohm,0A,3370K,0mW	1	SNA	
CN901	3709-001602	CONNECTOR-CARD SLOT;88P,W/L,1.27mm	1	SNA		PCB	AK41-00991A	PCB MAIN;BD-C8500S,FR-4,4,00,1,2T,	1	SNA	
D1202	0401-001099	DIODE-SWITCHING;1N4148WS,75V,150mA	1	SA		Q1	0501-000546	TR-SMALL SIGNAL;KSA1298,PNP,200mW,	1	SNA	
D1203	0401-001099	DIODE-SWITCHING;1N4148WS,75V,150mA	1	SA		Q101	0501-000457	TR-SMALL SIGNAL;MMBT2222A/KST2222A	1	SA	
D801	0404-001271	DIODE-SCHOTTKY;SSA34,40V,3000mA,SM	1	SA		Q102	0505-002386	FET-SILICON;AO3415AL,-P,-20V,-4A,0.	1	SA	
D802	0404-001271	DIODE-SCHOTTKY;SSA34,40V,3000mA,SM	1	SA		Q1201	0504-000126	TR-DIGITAL;KSR1101,NPN,200mW,4.7K/	1	SA	
D803	0404-001271	DIODE-SCHOTTKY;SSA34,40V,3000mA,SM	1	SA		Q1202	0504-000156	TR-DIGITAL;KSR2103,PNP,200mW,22K/2	1	SA	
D804	0404-001271	DIODE-SCHOTTKY;SSA34,40V,3000mA,SM	1	SA		Q1203	0501-000457	TR-SMALL SIGNAL;MMBT2222A/KST2222A	1	SA	
D805	0406-001290	DIODE-TVS;3.0SMCJ20A,22.2/-24.5V,	1	SNA		Q1204	0504-000156	TR-DIGITAL;KSR2103,PNP,200mW,22K/2	1	SA	
FRONT_	AK97-04195A	ASSY MICOM;BD-C8500M/XEU,MAIN ASSY	1	SNA		Q1205	0501-000457	TR-SMALL SIGNAL;MMBT2222A/KST2222A	1	SA	
IC1001	AK09-00184A	IC MICOM;uPD78F0526,ALVIS,52,5V,32	1	SNA		Q2	0501-000465	TR-SMALL SIGNAL;MMBT3904,NPN,350mW	1	SA	
IC1002	0801-002701	IC-CMOS LOGIC;74VHCT125A,BUFFER,TS	1	SA		Q3	0501-000465	TR-SMALL SIGNAL;MMBT3904,NPN,350mW	1	SA	
IC1003	1103-001398	IC-EEPROM;24C02,2Kbit,256Kx8,SOIC,	1	SA							

Loc.No	Parts No	Description / Specification	Qty	S.N.A	Remark	Loc.No	Parts No	Description / Specification	Qty	S.N.A	Remark
Q301	0501-000341	TR-SMALL SIGNAL;KSC1623-L,NPN,200m	1	SA		R111	2007-001175	R-CHIP;8.2Kohm,1%,1/10W,TP,1608	1	SA	
Q302	0505-000110	FET-SILICON;2N7002,N.60V,115mA,7.5	1	SA		R112	2007-001175	R-CHIP;8.2Kohm,1%,1/10W,TP,1608	1	SA	
Q303	0504-000129	TR-DIGITAL;KSR1104,NPN,200mW,47K/4	1	SA		R115	2007-001068	R-CHIP;6.8Kohm,1%,1/10W,TP,1608	1	SA	
Q304	0504-000152	TR-DIGITAL;KSR2101,PNP,200mW,4.7K/	1	SA		R1203	2007-000143	R-CHIP;4.7Kohm,5%,1/16W,TP,1005	1	SNA	
Q4	0501-000465	TR-SMALL SIGNAL;MMBT3904,NPN,350mW	1	SA		R1204	2007-008011	R-CHIP;11.5Kohm,1%,1/10W,TP,1608	1	SA	
Q5	0504-000126	TR-DIGITAL;KSR1101,NPN,200mW,4.7K/	1	SA		R1206	2007-008175	R-CHIP;330ohm,1%,1/16W,TP,1005	1	SNA	
R1	2007-000087	R-CHIP;6.8Kohm,5%,1/10W,TP,1608	1	SA		R1208	2007-007142	R-CHIP;10Kohm,1%,1/16W,TP,1005	1	SNA	
R100	2007-000159	R-CHIP;56Kohm,5%,1/16W,TP,1005	1	SNA		R1210	2007-001433	R-CHIP;12Kohm,1%,1/10W,TP,1608	1	SA	
R101	2007-000157	R-CHIP;47Kohm,5%,1/16W,TP,1005	1	SNA		R1212	2007-000148	R-CHIP;10Kohm,5%,1/16W,TP,1005	1	SA	
R1010	2007-000140	R-CHIP;1Kohm,5%,1/16W,TP,1005	1	SNA		R1213	2007-000143	R-CHIP;4.7Kohm,5%,1/16W,TP,1005	1	SNA	
R1011	2007-000138	R-CHIP;100ohm,5%,1/16W,TP,1005	1	SA		R1214	2007-000143	R-CHIP;4.7Kohm,5%,1/16W,TP,1005	1	SNA	
R1013	2007-000137	R-CHIP;2Kohm,5%,1/16W,TP,1005	1	SNA		R1215	2007-007142	R-CHIP;10Kohm,1%,1/16W,TP,1005	1	SNA	
R1014	2007-000137	R-CHIP;2Kohm,5%,1/16W,TP,1005	1	SNA		R1216	2007-007142	R-CHIP;10Kohm,1%,1/16W,TP,1005	1	SNA	
R1017	2007-000138	R-CHIP;100ohm,5%,1/16W,TP,1005	1	SA		R1217	2007-007721	R-CHIP;560ohm,1%,1/10W,TP,1608	1	SA	
R1018	2007-000138	R-CHIP;100ohm,5%,1/16W,TP,1005	1	SA		R1218	2007-008275	R-CHIP;30Kohm,1%,1/16W,TP,1005	1	SNA	
R1019	2007-000138	R-CHIP;100ohm,5%,1/16W,TP,1005	1	SA		R1219	2007-007315	R-CHIP;3.9Kohm,1%,1/16W,TP,1005	1	SNA	
R1020	2007-000138	R-CHIP;100ohm,5%,1/16W,TP,1005	1	SA		R1220	2007-007528	R-CHIP;1.5Kohm,1%,1/16W,TP,1005	1	SA	
R1021	2007-000138	R-CHIP;100ohm,5%,1/16W,TP,1005	1	SA		R1221	2007-007142	R-CHIP;10Kohm,1%,1/16W,TP,1005	1	SNA	
R1022	2007-000140	R-CHIP;1Kohm,5%,1/16W,TP,1005	1	SNA		R1222	2007-000614	R-CHIP;24Kohm,1%,1/10W,TP,1608	1	SNA	
R1023	2007-000140	R-CHIP;1Kohm,5%,1/16W,TP,1005	1	SNA		R1242	2007-002425	R-CHIP;1ohm,5%,1/10W,TP,1608	1	SNA	
R1024	2007-000140	R-CHIP;1Kohm,5%,1/16W,TP,1005	1	SNA		R1243	2007-002425	R-CHIP;1ohm,5%,1/10W,TP,1608	1	SNA	
R1025	2007-000140	R-CHIP;1Kohm,5%,1/16W,TP,1005	1	SNA		R1245	2007-000141	R-CHIP;2.2Kohm,5%,1/16W,TP,1005	1	SNA	
R1027	2007-001292	R-CHIP;33ohm,5%,1/16W,TP,1005	1	SNA		R1246	2007-000092	R-CHIP;15Kohm,5%,1/10W,TP,1608	1	SA	
R1028	2007-001292	R-CHIP;33ohm,5%,1/16W,TP,1005	1	SNA		R1247	2007-000141	R-CHIP;2.2Kohm,5%,1/16W,TP,1005	1	SNA	
R1030	2007-000138	R-CHIP;100ohm,5%,1/16W,TP,1005	1	SA		R1248	2007-000096	R-CHIP;30Kohm,5%,1/10W,TP,1608	1	SA	
R1031	2007-000138	R-CHIP;100ohm,5%,1/16W,TP,1005	1	SA		R1249	2007-000140	R-CHIP;1Kohm,5%,1/16W,TP,1005	1	SNA	
R1035	2007-000138	R-CHIP;100ohm,5%,1/16W,TP,1005	1	SA		R1250	2007-000078	R-CHIP;1Kohm,5%,1/10W,TP,1608	1	SA	
R1036	2007-000138	R-CHIP;100ohm,5%,1/16W,TP,1005	1	SA		R1302	2007-000138	R-CHIP;100ohm,5%,1/16W,TP,1005	1	SA	
R1038	2007-000148	R-CHIP;10Kohm,5%,1/16W,TP,1005	1	SA		R1303	2007-001292	R-CHIP;33ohm,5%,1/16W,TP,1005	1	SNA	
R1041	2007-007319	R-CHIP;390ohm,1%,1/16W,TP,1005	1	SNA		R131	2007-001292	R-CHIP;33ohm,5%,1/16W,TP,1005	1	SNA	
R1042	2007-007319	R-CHIP;390ohm,1%,1/16W,TP,1005	1	SNA		R1319	2007-000148	R-CHIP;10Kohm,5%,1/16W,TP,1005	1	SA	
R1043	2007-007319	R-CHIP;390ohm,1%,1/16W,TP,1005	1	SNA		R132	2007-001292	R-CHIP;33ohm,5%,1/16W,TP,1005	1	SNA	
R1044	2007-008593	R-CHIP;750ohm,1%,1/16W,TP,1005	1	SA		R1320	2007-000148	R-CHIP;10Kohm,5%,1/16W,TP,1005	1	SA	
R1045	2007-008593	R-CHIP;750ohm,1%,1/16W,TP,1005	1	SA		R1321	2007-000148	R-CHIP;10Kohm,5%,1/16W,TP,1005	1	SA	
R1046	2007-008593	R-CHIP;750ohm,1%,1/16W,TP,1005	1	SA		R1322	2007-000148	R-CHIP;10Kohm,5%,1/16W,TP,1005	1	SA	
R1048	2007-000148	R-CHIP;10Kohm,5%,1/16W,TP,1005	1	SA		R133	2007-001292	R-CHIP;33ohm,5%,1/16W,TP,1005	1	SNA	
R1049	2007-000143	R-CHIP;4.7Kohm,5%,1/16W,TP,1005	1	SNA		R1330	2007-000148	R-CHIP;10Kohm,5%,1/16W,TP,1005	1	SA	
R1050	2007-000143	R-CHIP;4.7Kohm,5%,1/16W,TP,1005	1	SNA		R1331	2007-000148	R-CHIP;10Kohm,5%,1/16W,TP,1005	1	SA	
R1051	2007-000143	R-CHIP;4.7Kohm,5%,1/16W,TP,1005	1	SNA		R1332	2007-000148	R-CHIP;10Kohm,5%,1/16W,TP,1005	1	SA	
R1052	2007-000148	R-CHIP;10Kohm,5%,1/16W,TP,1005	1	SA		R1333	2007-000148	R-CHIP;10Kohm,5%,1/16W,TP,1005	1	SA	
R1053	2007-000143	R-CHIP;4.7Kohm,5%,1/16W,TP,1005	1	SNA		R1338	2007-002437	R-CHIP;2ohm,5%,1/10W,TP,1608	1	SNA	
R1054	2007-000137	R-CHIP;2Kohm,5%,1/16W,TP,1005	1	SNA		R134	2007-001292	R-CHIP;33ohm,5%,1/16W,TP,1005	1	SNA	
R1055	2007-000137	R-CHIP;2Kohm,5%,1/16W,TP,1005	1	SNA		R135	2007-000138	R-CHIP;100ohm,5%,1/16W,TP,1005	1	SA	
R1056	2007-000143	R-CHIP;4.7Kohm,5%,1/16W,TP,1005	1	SNA		R136	2007-007307	R-CHIP;150ohm,1%,1/16W,TP,1005	1	SNA	
R1057	2007-007319	R-CHIP;390ohm,1%,1/16W,TP,1005	1	SNA		R137	2007-007306	R-CHIP;100ohm,1%,1/16W,TP,1005	1	SNA	
R1058	2007-008593	R-CHIP;750ohm,1%,1/16W,TP,1005	1	SA		R138	2007-008015	R-CHIP;75ohm,1%,1/16W,TP,1005	1	SNA	
R1059	2007-000143	R-CHIP;4.7Kohm,5%,1/16W,TP,1005	1	SNA		R140	2007-008015	R-CHIP;75ohm,1%,1/16W,TP,1005	1	SNA	
R1060	2007-000140	R-CHIP;1Kohm,5%,1/16W,TP,1005	1	SNA		R142	2007-008015	R-CHIP;75ohm,1%,1/16W,TP,1005	1	SNA	
R1061	2007-007319	R-CHIP;390ohm,1%,1/16W,TP,1005	1	SNA		R144	2007-008015	R-CHIP;75ohm,1%,1/16W,TP,1005	1	SNA	
R1062	2007-000140	R-CHIP;1Kohm,5%,1/16W,TP,1005	1	SNA		R146	2007-000143	R-CHIP;4.7Kohm,5%,1/16W,TP,1005	1	SNA	
R1063	2007-000148	R-CHIP;10Kohm,5%,1/16W,TP,1005	1	SA		R147	2007-000143	R-CHIP;4.7Kohm,5%,1/16W,TP,1005	1	SNA	
R107	2007-000140	R-CHIP;1Kohm,5%,1/16W,TP,1005	1	SNA		R148	2007-000148	R-CHIP;10Kohm,5%,1/16W,TP,1005	1	SA	
R1071	2007-001292	R-CHIP;33ohm,5%,1/16W,TP,1005	1	SNA		R149	2007-007441	R-CHIP;562ohm,1%,1/10W,TP,1608	1	SNA	
R1073	2007-007319	R-CHIP;390ohm,1%,1/16W,TP,1005	1	SNA		R150	2007-007441	R-CHIP;562ohm,1%,1/10W,TP,1608	1	SNA	
R1074	2007-001316	R-CHIP;820ohm,5%,1/16W,TP,1005	1	SA		R151	2007-008015	R-CHIP;75ohm,1%,1/16W,TP,1005	1	SNA	
R1075	2007-000143	R-CHIP;4.7Kohm,5%,1/16W,TP,1005	1	SNA		R152	2007-008015	R-CHIP;75ohm,1%,1/16W,TP,1005	1	SNA	
R1076	2007-007319	R-CHIP;390ohm,1%,1/16W,TP,1005	1	SNA		R153	2007-008015	R-CHIP;75ohm,1%,1/16W,TP,1005	1	SNA	
R1077	2007-008593	R-CHIP;750ohm,1%,1/16W,TP,1005	1	SA		R154	2007-008015	R-CHIP;75ohm,1%,1/16W,TP,1005	1	SNA	
R108	2007-000140	R-CHIP;1Kohm,5%,1/16W,TP,1005	1	SNA		R155	2007-007142	R-CHIP;10Kohm,1%,1/16W,TP,1005	1	SNA	
R109	2007-000052	R-CHIP;10Kohm,1%,1/10W,TP,1608	1	SA		R156	2007-007142	R-CHIP;10Kohm,1%,1/16W,TP,1005	1	SNA	
R11	2007-000162	R-CHIP;100Kohm,5%,1/16W,TP,1005	1	SNA		R16	2007-000141	R-CHIP;2.2Kohm,5%,1/16W,TP,1005	1	SNA	
R110	2007-000052	R-CHIP;10Kohm,1%,1/10W,TP,1608	1	SA		R161	2007-000491	R-CHIP;2.2Kohm,1%,1/10W,TP,1608	1	SA	
R1101	2007-002437	R-CHIP;2ohm,5%,1/10W,TP,1608	1	SNA		R162	2007-007617	R-CHIP;2.49Kohm,1%,1/10W,TP,1608	1	SA	
						R163	2007-000162	R-CHIP;100Kohm,5%,1/16W,TP,1005	1	SNA	

Exploded Views and Parts List

Loc.No	Parts No	Description / Specification	Qty	S.N.A	Remark	Loc.No	Parts No	Description / Specification	Qty	S.N.A	Remark
R164	2007-000157	R-CHIP:47Kohm,5%,1/16W,TP,1005	1	SNA		R37	2007-000091	R-CHIP:12Kohm,5%,1/10W,TP,1608	1	SNA	
R165	2007-000140	R-CHIP:1Kohm,5%,1/16W,TP,1005	1	SNA		R38	2007-000091	R-CHIP:12Kohm,5%,1/10W,TP,1608	1	SNA	
R17	2007-001325	R-CHIP:3.3Kohm,5%,1/16W,TP,1005	1	SNA		R39	2007-000091	R-CHIP:12Kohm,5%,1/10W,TP,1608	1	SNA	
R201	2007-000143	R-CHIP:4.7Kohm,5%,1/16W,TP,1005	1	SNA		R4	2007-000138	R-CHIP:100ohm,5%,1/16W,TP,1005	1	SA	
R202	2007-000143	R-CHIP:4.7Kohm,5%,1/16W,TP,1005	1	SNA		R40	2007-000052	R-CHIP:10Kohm,1%,1/10W,TP,1608	1	SA	
R203	2007-000143	R-CHIP:4.7Kohm,5%,1/16W,TP,1005	1	SNA		R407	2007-000148	R-CHIP:10Kohm,5%,1/16W,TP,1005	1	SA	
R226	2007-007797	R-CHIP:44.2ohm,1%,1/10W,TP,1608	1	SA		R410	2007-000148	R-CHIP:10Kohm,5%,1/16W,TP,1005	1	SA	
R227	2007-000946	R-CHIP:47ohm,1%,1/10W,TP,1608	1	SA		R4100	2007-007318	R-CHIP:1Kohm,1%,1/16W,TP,1005	1	SNA	
R231	2007-000143	R-CHIP:4.7Kohm,5%,1/16W,TP,1005	1	SNA		R411	2007-000148	R-CHIP:10Kohm,5%,1/16W,TP,1005	1	SA	
R232	2007-000143	R-CHIP:4.7Kohm,5%,1/16W,TP,1005	1	SNA		R412	2007-007318	R-CHIP:1Kohm,1%,1/16W,TP,1005	1	SNA	
R233	2007-000143	R-CHIP:4.7Kohm,5%,1/16W,TP,1005	1	SNA		R413	2007-007318	R-CHIP:1Kohm,1%,1/16W,TP,1005	1	SNA	
R24	2007-007334	R-CHIP:200Kohm,1%,1/16W,TP,1005	1	SNA		R414	2007-000148	R-CHIP:10Kohm,5%,1/16W,TP,1005	1	SA	
R247	2007-000148	R-CHIP:10Kohm,5%,1/16W,TP,1005	1	SA		R415	2007-000148	R-CHIP:10Kohm,5%,1/16W,TP,1005	1	SA	
R249	2007-001292	R-CHIP:33ohm,5%,1/16W,TP,1005	1	SNA		R416	2007-000148	R-CHIP:10Kohm,5%,1/16W,TP,1005	1	SA	
R250	2007-001292	R-CHIP:33ohm,5%,1/16W,TP,1005	1	SNA		R417	2007-000148	R-CHIP:10Kohm,5%,1/16W,TP,1005	1	SA	
R251	2007-001292	R-CHIP:33ohm,5%,1/16W,TP,1005	1	SNA		R419	2007-000148	R-CHIP:10Kohm,5%,1/16W,TP,1005	1	SA	
R252	2007-001292	R-CHIP:33ohm,5%,1/16W,TP,1005	1	SNA		R42	2007-000695	R-CHIP:3.3ohm,5%,1/10W,TP,1608	1	SNA	
R254	2007-001292	R-CHIP:33ohm,5%,1/16W,TP,1005	1	SNA		R428	2007-000148	R-CHIP:10Kohm,5%,1/16W,TP,1005	1	SA	
R255	2007-001292	R-CHIP:33ohm,5%,1/16W,TP,1005	1	SNA		R429	2007-000148	R-CHIP:10Kohm,5%,1/16W,TP,1005	1	SA	
R257	2007-000138	R-CHIP:100ohm,5%,1/16W,TP,1005	1	SA		R43	2007-000695	R-CHIP:3.3ohm,5%,1/10W,TP,1608	1	SNA	
R259	2007-001292	R-CHIP:33ohm,5%,1/16W,TP,1005	1	SNA		R430	2007-000148	R-CHIP:10Kohm,5%,1/16W,TP,1005	1	SA	
R260	2007-001292	R-CHIP:33ohm,5%,1/16W,TP,1005	1	SNA		R431	2007-000148	R-CHIP:10Kohm,5%,1/16W,TP,1005	1	SA	
R261	2007-001292	R-CHIP:33ohm,5%,1/16W,TP,1005	1	SNA		R432	2007-000148	R-CHIP:10Kohm,5%,1/16W,TP,1005	1	SA	
R262	2007-001292	R-CHIP:33ohm,5%,1/16W,TP,1005	1	SNA		R433	2007-000148	R-CHIP:10Kohm,5%,1/16W,TP,1005	1	SA	
R263	2007-001292	R-CHIP:33ohm,5%,1/16W,TP,1005	1	SNA		R434	2007-000148	R-CHIP:10Kohm,5%,1/16W,TP,1005	1	SA	
R265	2007-001292	R-CHIP:33ohm,5%,1/16W,TP,1005	1	SNA		R435	2007-007318	R-CHIP:1Kohm,1%,1/16W,TP,1005	1	SNA	
R266	2007-001292	R-CHIP:33ohm,5%,1/16W,TP,1005	1	SNA		R436	2007-007318	R-CHIP:1Kohm,1%,1/16W,TP,1005	1	SNA	
R267	2007-000242	R-CHIP:1.5Kohm,5%,1/16W,TP,1005	1	SNA		R437	2007-000148	R-CHIP:10Kohm,5%,1/16W,TP,1005	1	SA	
R268	2007-000140	R-CHIP:1Kohm,5%,1/16W,TP,1005	1	SNA		R442	2007-007306	R-CHIP:100ohm,1%,1/16W,TP,1005	1	SNA	
R270	2007-007617	R-CHIP:2.49Kohm,1%,1/10W,TP,1608	1	SA		R443	2007-007306	R-CHIP:100ohm,1%,1/16W,TP,1005	1	SNA	
R271	2007-001292	R-CHIP:33ohm,5%,1/16W,TP,1005	1	SNA		R452	2007-007318	R-CHIP:1Kohm,1%,1/16W,TP,1005	1	SNA	
R272	2007-001292	R-CHIP:33ohm,5%,1/16W,TP,1005	1	SNA		R453	2007-007318	R-CHIP:1Kohm,1%,1/16W,TP,1005	1	SNA	
R273	2007-001292	R-CHIP:33ohm,5%,1/16W,TP,1005	1	SNA		R460	2007-007318	R-CHIP:1Kohm,1%,1/16W,TP,1005	1	SNA	
R274	2007-000143	R-CHIP:4.7Kohm,5%,1/16W,TP,1005	1	SNA		R461	2007-007318	R-CHIP:1Kohm,1%,1/16W,TP,1005	1	SNA	
R28	2007-000138	R-CHIP:100ohm,5%,1/16W,TP,1005	1	SA		R462	2007-007517	R-CHIP:240ohm,1%,1/16W,TP,1005	1	SNA	
R281	2007-001292	R-CHIP:33ohm,5%,1/16W,TP,1005	1	SNA		R463	2007-007517	R-CHIP:240ohm,1%,1/16W,TP,1005	1	SNA	
R283	2007-000140	R-CHIP:1Kohm,5%,1/16W,TP,1005	1	SNA		R464	2007-007141	R-CHIP:240ohm,5%,1/16W,TP,1005	1	SNA	
R285	2007-001292	R-CHIP:33ohm,5%,1/16W,TP,1005	1	SNA		R465	2007-007141	R-CHIP:240ohm,5%,1/16W,TP,1005	1	SNA	
R287	2007-001292	R-CHIP:33ohm,5%,1/16W,TP,1005	1	SNA		R466	2007-007141	R-CHIP:240ohm,5%,1/16W,TP,1005	1	SNA	
R288	2007-000148	R-CHIP:10Kohm,5%,1/16W,TP,1005	1	SA		R467	2007-007141	R-CHIP:240ohm,5%,1/16W,TP,1005	1	SNA	
R29	2007-000695	R-CHIP:3.3ohm,5%,1/10W,TP,1608	1	SNA		R47	2007-000695	R-CHIP:3.3ohm,5%,1/10W,TP,1608	1	SNA	
R30	2007-000695	R-CHIP:3.3ohm,5%,1/10W,TP,1608	1	SNA		R48	2007-000695	R-CHIP:3.3ohm,5%,1/10W,TP,1608	1	SNA	
R302	2007-000857	R-CHIP:4.3Kohm,1%,1/10W,TP,1608	1	SNA		R496	2007-007318	R-CHIP:1Kohm,1%,1/16W,TP,1005	1	SNA	
R303	2007-000151	R-CHIP:15Kohm,5%,1/16W,TP,1005	1	SNA		R497	2007-007318	R-CHIP:1Kohm,1%,1/16W,TP,1005	1	SNA	
R304	2007-001329	R-CHIP:7.5Kohm,5%,1/16W,TP,1005	1	SA		R499	2007-007318	R-CHIP:1Kohm,1%,1/16W,TP,1005	1	SNA	
R305	2007-000137	R-CHIP:2Kohm,5%,1/16W,TP,1005	1	SNA		R5	2007-000157	R-CHIP:47Kohm,5%,1/16W,TP,1005	1	SNA	
R306	2007-000137	R-CHIP:2Kohm,5%,1/16W,TP,1005	1	SNA		R503	2007-001292	R-CHIP:33ohm,5%,1/16W,TP,1005	1	SNA	
R31	2007-000695	R-CHIP:3.3ohm,5%,1/10W,TP,1608	1	SNA		R504	2007-001292	R-CHIP:33ohm,5%,1/16W,TP,1005	1	SNA	
R316	2007-008275	R-CHIP:30Kohm,1%,1/16W,TP,1005	1	SNA		R506	2007-001292	R-CHIP:33ohm,5%,1/16W,TP,1005	1	SNA	
R317	2007-000140	R-CHIP:1Kohm,5%,1/16W,TP,1005	1	SNA		R507	2007-001292	R-CHIP:33ohm,5%,1/16W,TP,1005	1	SNA	
R318	2007-000140	R-CHIP:1Kohm,5%,1/16W,TP,1005	1	SNA		R508	2007-001292	R-CHIP:33ohm,5%,1/16W,TP,1005	1	SNA	
R320	2007-000726	R-CHIP:300ohm,1%,1/10W,TP,1608	1	SA		R509	2007-001292	R-CHIP:33ohm,5%,1/16W,TP,1005	1	SNA	
R323	2007-000109	R-CHIP:1Mohm,5%,1/10W,TP,1608	1	SA		R51	2007-000695	R-CHIP:3.3ohm,5%,1/10W,TP,1608	1	SNA	
R324	2007-000108	R-CHIP:510Kohm,5%,1/10W,TP,1608	1	SA		R512	2007-001292	R-CHIP:33ohm,5%,1/16W,TP,1005	1	SNA	
R325	2007-007538	R-CHIP:56Kohm,1%,1/16W,TP,1005	1	SA		R513	2007-001292	R-CHIP:33ohm,5%,1/16W,TP,1005	1	SNA	
R326	2007-000503	R-CHIP:2.2ohm,5%,1/10W,TP,1608	1	SA		R518	2007-001292	R-CHIP:33ohm,5%,1/16W,TP,1005	1	SNA	
R328	2007-001329	R-CHIP:7.5Kohm,5%,1/16W,TP,1005	1	SA		R519	2007-001292	R-CHIP:33ohm,5%,1/16W,TP,1005	1	SNA	
R329	2007-000091	R-CHIP:12Kohm,5%,1/10W,TP,1608	1	SNA		R52	2007-000695	R-CHIP:3.3ohm,5%,1/10W,TP,1608	1	SNA	
R33	2007-000982	R-CHIP:5.6Kohm,5%,1/16W,TP,1005	1	SA		R520	2007-001292	R-CHIP:33ohm,5%,1/16W,TP,1005	1	SNA	
R330	2007-001292	R-CHIP:33ohm,5%,1/16W,TP,1005	1	SNA		R521	2007-001292	R-CHIP:33ohm,5%,1/16W,TP,1005	1	SNA	
R34	2007-000982	R-CHIP:5.6Kohm,5%,1/16W,TP,1005	1	SA		R532	2007-001292	R-CHIP:33ohm,5%,1/16W,TP,1005	1	SNA	
R35	2007-000084	R-CHIP:4.7Kohm,5%,1/10W,TP,1608	1	SA		R533	2007-001292	R-CHIP:33ohm,5%,1/16W,TP,1005	1	SNA	
R36	2007-000134	R-CHIP:33Kohm,5%,1/10W,TP,1608	1	SNA		R534	2007-001292	R-CHIP:33ohm,5%,1/16W,TP,1005	1	SNA	

Loc.No	Parts No	Description / Specification	Qty	S.N.A	Remark	Loc.No	Parts No	Description / Specification	Qty	S.N.A	Remark
R535	2007-001292	R-CHIP;33ohm,5%,1/16W,TP,1005	1	SNA		R726	2007-001292	R-CHIP;33ohm,5%,1/16W,TP,1005	1	SNA	
R536	2007-001292	R-CHIP;33ohm,5%,1/16W,TP,1005	1	SNA		R727	2007-001292	R-CHIP;33ohm,5%,1/16W,TP,1005	1	SNA	
R538	2007-001292	R-CHIP;33ohm,5%,1/16W,TP,1005	1	SNA		R728	2007-001292	R-CHIP;33ohm,5%,1/16W,TP,1005	1	SNA	
R539	2007-001292	R-CHIP;33ohm,5%,1/16W,TP,1005	1	SNA		R729	2007-001292	R-CHIP;33ohm,5%,1/16W,TP,1005	1	SNA	
R54	2007-000695	R-CHIP;3.3ohm,5%,1/10W,TP,1608	1	SNA		R73	2007-000052	R-CHIP;10Kohm,1%,1/10W,TP,1608	1	SA	
R540	2007-000143	R-CHIP;4.7Kohm,5%,1/16W,TP,1005	1	SNA		R730	2007-001292	R-CHIP;33ohm,5%,1/16W,TP,1005	1	SNA	
R542	2007-000143	R-CHIP;4.7Kohm,5%,1/16W,TP,1005	1	SNA		R731	2007-001292	R-CHIP;33ohm,5%,1/16W,TP,1005	1	SNA	
R556	2007-000140	R-CHIP;1Kohm,5%,1/16W,TP,1005	1	SNA		R732	2007-001292	R-CHIP;33ohm,5%,1/16W,TP,1005	1	SNA	
R557	2007-001292	R-CHIP;33ohm,5%,1/16W,TP,1005	1	SNA		R733	2007-001292	R-CHIP;33ohm,5%,1/16W,TP,1005	1	SNA	
R558	2007-001292	R-CHIP;33ohm,5%,1/16W,TP,1005	1	SNA		R734	2007-001292	R-CHIP;33ohm,5%,1/16W,TP,1005	1	SNA	
R56	2007-000695	R-CHIP;3.3ohm,5%,1/10W,TP,1608	1	SNA		R735	2007-001292	R-CHIP;33ohm,5%,1/16W,TP,1005	1	SNA	
R560	2007-000141	R-CHIP;2.2Kohm,5%,1/16W,TP,1005	1	SNA		R736	2007-001292	R-CHIP;33ohm,5%,1/16W,TP,1005	1	SNA	
R561	2007-000141	R-CHIP;2.2Kohm,5%,1/16W,TP,1005	1	SNA		R737	2007-001292	R-CHIP;33ohm,5%,1/16W,TP,1005	1	SNA	
R563	2007-001292	R-CHIP;33ohm,5%,1/16W,TP,1005	1	SNA		R739	2007-000148	R-CHIP;10Kohm,5%,1/16W,TP,1005	1	SA	
R566	2007-001292	R-CHIP;33ohm,5%,1/16W,TP,1005	1	SNA		R74	2007-000122	R-CHIP;1.2Kohm,5%,1/10W,TP,1608	1	SA	
R567	2007-000143	R-CHIP;4.7Kohm,5%,1/16W,TP,1005	1	SNA		R741	2007-000148	R-CHIP;10Kohm,5%,1/16W,TP,1005	1	SA	
R568	2007-000143	R-CHIP;4.7Kohm,5%,1/16W,TP,1005	1	SNA		R743	2007-000148	R-CHIP;10Kohm,5%,1/16W,TP,1005	1	SA	
R569	2007-001292	R-CHIP;33ohm,5%,1/16W,TP,1005	1	SNA		R745	2007-000148	R-CHIP;10Kohm,5%,1/16W,TP,1005	1	SA	
R570	2007-000143	R-CHIP;4.7Kohm,5%,1/16W,TP,1005	1	SNA		R747	2007-001292	R-CHIP;33ohm,5%,1/16W,TP,1005	1	SNA	
R571	2007-001292	R-CHIP;33ohm,5%,1/16W,TP,1005	1	SNA		R748	2007-001292	R-CHIP;33ohm,5%,1/16W,TP,1005	1	SNA	
R58	2007-000695	R-CHIP;3.3ohm,5%,1/10W,TP,1608	1	SNA		R749	2007-001292	R-CHIP;33ohm,5%,1/16W,TP,1005	1	SNA	
R6	2007-000157	R-CHIP;47Kohm,5%,1/16W,TP,1005	1	SNA		R75	2007-000614	R-CHIP;24Kohm,1%,1/10W,TP,1608	1	SNA	
R601	2007-008263	R-CHIP;3Kohm,1%,1/16W,TP,1005	1	SA		R750	2007-001292	R-CHIP;33ohm,5%,1/16W,TP,1005	1	SNA	
R602	2007-008263	R-CHIP;3Kohm,1%,1/16W,TP,1005	1	SA		R751	2007-001292	R-CHIP;33ohm,5%,1/16W,TP,1005	1	SNA	
R607	2007-000171	R-CHIP;0ohm,5%,1/16W,TP,1005	1	SNA		R752	2007-001292	R-CHIP;33ohm,5%,1/16W,TP,1005	1	SNA	
R608	2007-000171	R-CHIP;0ohm,5%,1/16W,TP,1005	1	SNA		R753	2007-001292	R-CHIP;33ohm,5%,1/16W,TP,1005	1	SNA	
R609	2007-000171	R-CHIP;0ohm,5%,1/16W,TP,1005	1	SNA		R754	2007-001292	R-CHIP;33ohm,5%,1/16W,TP,1005	1	SNA	
R610	2007-000171	R-CHIP;0ohm,5%,1/16W,TP,1005	1	SNA		R755	2007-001292	R-CHIP;33ohm,5%,1/16W,TP,1005	1	SNA	
R63	2007-000115	R-CHIP;82ohm,5%,1/10W,TP,1608	1	SA		R756	2007-001292	R-CHIP;33ohm,5%,1/16W,TP,1005	1	SNA	
R64	2007-000115	R-CHIP;82ohm,5%,1/10W,TP,1608	1	SA		R757	2007-001292	R-CHIP;33ohm,5%,1/16W,TP,1005	1	SNA	
R65	2007-008175	R-CHIP;330ohm,1%,1/16W,TP,1005	1	SNA		R758	2007-000148	R-CHIP;10Kohm,5%,1/16W,TP,1005	1	SA	
R66	2007-000072	R-CHIP;47ohm,5%,1/10W,TP,1608	1	SNA		R76	2007-000052	R-CHIP;10Kohm,1%,1/10W,TP,1608	1	SA	
R67	2007-000072	R-CHIP;47ohm,5%,1/10W,TP,1608	1	SNA		R760	2007-000138	R-CHIP;100ohm,5%,1/16W,TP,1005	1	SA	
R68	2007-000726	R-CHIP;300ohm,1%,1/10W,TP,1608	1	SA		R762	2007-001292	R-CHIP;33ohm,5%,1/16W,TP,1005	1	SNA	
R69	2007-000072	R-CHIP;47ohm,5%,1/10W,TP,1608	1	SNA		R763	2007-001292	R-CHIP;33ohm,5%,1/16W,TP,1005	1	SNA	
R7	2007-000157	R-CHIP;47Kohm,5%,1/16W,TP,1005	1	SNA		R764	2007-001292	R-CHIP;33ohm,5%,1/16W,TP,1005	1	SNA	
R70	2007-000072	R-CHIP;47ohm,5%,1/10W,TP,1608	1	SNA		R77	2007-000122	R-CHIP;1.2Kohm,5%,1/10W,TP,1608	1	SA	
R701	2007-001292	R-CHIP;33ohm,5%,1/16W,TP,1005	1	SNA		R79	2007-000831	R-CHIP;39Kohm,5%,1/16W,TP,1005	1	SA	
R702	2007-001292	R-CHIP;33ohm,5%,1/16W,TP,1005	1	SNA		R801	2007-000141	R-CHIP;2.2Kohm,5%,1/16W,TP,1005	1	SNA	
R703	2007-001292	R-CHIP;33ohm,5%,1/16W,TP,1005	1	SNA		R802	2007-000141	R-CHIP;2.2Kohm,5%,1/16W,TP,1005	1	SNA	
R704	2007-001292	R-CHIP;33ohm,5%,1/16W,TP,1005	1	SNA		R803	2007-001292	R-CHIP;33ohm,5%,1/16W,TP,1005	1	SNA	
R705	2007-001292	R-CHIP;33ohm,5%,1/16W,TP,1005	1	SNA		R804	2007-001292	R-CHIP;33ohm,5%,1/16W,TP,1005	1	SNA	
R706	2007-001292	R-CHIP;33ohm,5%,1/16W,TP,1005	1	SNA		R805	2007-001292	R-CHIP;33ohm,5%,1/16W,TP,1005	1	SNA	
R707	2007-001292	R-CHIP;33ohm,5%,1/16W,TP,1005	1	SNA		R806	2007-001292	R-CHIP;33ohm,5%,1/16W,TP,1005	1	SNA	
R708	2007-001292	R-CHIP;33ohm,5%,1/16W,TP,1005	1	SNA		R807	2007-001292	R-CHIP;33ohm,5%,1/16W,TP,1005	1	SNA	
R709	2007-001292	R-CHIP;33ohm,5%,1/16W,TP,1005	1	SNA		R808	2007-001292	R-CHIP;33ohm,5%,1/16W,TP,1005	1	SNA	
R71	2007-000726	R-CHIP;300ohm,1%,1/10W,TP,1608	1	SA		R809	2007-001292	R-CHIP;33ohm,5%,1/16W,TP,1005	1	SNA	
R710	2007-001292	R-CHIP;33ohm,5%,1/16W,TP,1005	1	SNA		R810	2007-001292	R-CHIP;33ohm,5%,1/16W,TP,1005	1	SNA	
R711	2007-001292	R-CHIP;33ohm,5%,1/16W,TP,1005	1	SNA		R811	2007-001292	R-CHIP;33ohm,5%,1/16W,TP,1005	1	SNA	
R712	2007-001292	R-CHIP;33ohm,5%,1/16W,TP,1005	1	SNA		R813	2007-001292	R-CHIP;33ohm,5%,1/16W,TP,1005	1	SNA	
R713	2007-001292	R-CHIP;33ohm,5%,1/16W,TP,1005	1	SNA		R814	2007-000138	R-CHIP;100ohm,5%,1/16W,TP,1005	1	SA	
R714	2007-001292	R-CHIP;33ohm,5%,1/16W,TP,1005	1	SNA		R815	2007-000138	R-CHIP;100ohm,5%,1/16W,TP,1005	1	SA	
R715	2007-001292	R-CHIP;33ohm,5%,1/16W,TP,1005	1	SNA		R821	2007-007697	R-CHIP;2.4Kohm,1%,1/16W,TP,1005	1	SNA	
R716	2007-001292	R-CHIP;33ohm,5%,1/16W,TP,1005	1	SNA		R822	2007-007136	R-CHIP;4.7Kohm,1%,1/16W,TP,1005	1	SNA	
R717	2007-001292	R-CHIP;33ohm,5%,1/16W,TP,1005	1	SNA		R823	2007-007156	R-CHIP;1ohm,5%,1/16W,TP,1005	1	SNA	
R718	2007-001292	R-CHIP;33ohm,5%,1/16W,TP,1005	1	SNA		R849	2007-002425	R-CHIP;1ohm,5%,1/10W,TP,1608	1	SNA	
R719	2007-001292	R-CHIP;33ohm,5%,1/16W,TP,1005	1	SNA		R85	2007-000084	R-CHIP;4.7Kohm,5%,1/10W,TP,1608	1	SA	
R72	2007-000431	R-CHIP;16Kohm,5%,1/10W,TP,1608	1	SA		R852	2007-002425	R-CHIP;1ohm,5%,1/10W,TP,1608	1	SNA	
R720	2007-001292	R-CHIP;33ohm,5%,1/16W,TP,1005	1	SNA		R857	2007-000303	R-CHIP;10Kohm,5%,1/4W,TP,3216	1	SA	
R721	2007-001292	R-CHIP;33ohm,5%,1/16W,TP,1005	1	SNA		R861	2007-000589	R-CHIP;22Kohm,5%,1/4W,TP,3216	1	SA	
R722	2007-001292	R-CHIP;33ohm,5%,1/16W,TP,1005	1	SNA		R863	2007-000417	R-CHIP;15ohm,5%,1/4W,TP,3216	1	SNA	
R723	2007-001292	R-CHIP;33ohm,5%,1/16W,TP,1005	1	SNA		R864	2007-000293	R-CHIP;100ohm,5%,1/4W,TP,3216	1	SNA	
R724	2007-001292	R-CHIP;33ohm,5%,1/16W,TP,1005	1	SNA		R865	2007-000148	R-CHIP;10Kohm,5%,1/16W,TP,1005	1	SA	
R725	2007-001292	R-CHIP;33ohm,5%,1/16W,TP,1005	1	SNA							

Exploded Views and Parts List

Loc.No	Parts No	Description : Specification	Q'ty	S.N.A	Remark	Loc.No	Parts No	Description : Specification	Q'ty	S.N.A	Remark
R866	2007-001292	R-CHIP;33ohm,5%,1/16W,TP,1005	1	SNA		C1S05	2401-004300	C-AL;150uF,20%,450V,GP,BOX,25.4X30	1	SA	
R871	2007-000141	R-CHIP;2.2Kohm,5%,1/16W,TP,1005	1	SNA		C1S06	2201-000963	C-CERAMIC,DISC;1NF,20%,400V,Y5U,TP	1	SA	
R872	2007-000141	R-CHIP;2.2Kohm,5%,1/16W,TP,1005	1	SNA		C1S10	2305-001029	C-FILM,LEAD-PEF;10nF,10%,630V,TP,1	1	SA	
R873	2007-000138	R-CHIP;100ohm,5%,1/16W,TP,1005	1	SA		C1S11	2201-000129	C-CERAMIC,DISC;0.1nF,10%,1000V,Y5P	1	SA	
R874	2007-000138	R-CHIP;100ohm,5%,1/16W,TP,1005	1	SA		C1S12	2401-001583	C-AL;47uF,20%,50V,WT,TP,6.3x11.5	1	SA	
R88	2007-000084	R-CHIP;4.7Kohm,5%,1/10W,TP,1608	1	SA		C1S13	2301-000402	C-FILM,LEAD-PEF;1nF,5%,50V,TP,6x9	1	SNA	
R89	2007-000084	R-CHIP;4.7Kohm,5%,1/10W,TP,1608	1	SA		C1S14	2401-001340	C-AL;0.47uF,20%,50V,WT,TP,5X11.5	1	SA	
R90	2007-000102	R-CHIP;100Kohm,5%,1/10W,TP,1608	1	SA		C1S32	2401-001583	C-AL;47uF,20%,50V,WT,TP,6.3x11.5	1	SA	
R901	2007-000174	R-CHIP;47ohm,5%,1/16W,TP,1005	1	SNA		C1S32A	2401-001583	C-AL;47uF,20%,50V,WT,TP,6.3x11.5	1	SA	
R902	2007-000174	R-CHIP;47ohm,5%,1/16W,TP,1005	1	SNA		C1S33	2401-003549	C-AL;470uF,20%,25V,LZ,TP,10x16.5	1	SA	
R903	2007-000174	R-CHIP;47ohm,5%,1/16W,TP,1005	1	SNA		C1S34	2301-000383	C-FILM,LEAD-PEF;10nF,5%,50V,TP,6x7	1	SA	
R904	2007-000174	R-CHIP;47ohm,5%,1/16W,TP,1005	1	SNA		C1S35	2401-000717	C-AL;2200uF,20%,25V,WT,TP,12.5x25	1	SNA	
R905	2007-000174	R-CHIP;47ohm,5%,1/16W,TP,1005	1	SNA		C1S36	2401-004052	C-AL;2200UF,20%,16V,-,TP,12.5X25.5	1	SA	
R906	2007-000174	R-CHIP;47ohm,5%,1/16W,TP,1005	1	SNA		C1S37	2401-003480	C-AL;1000UF,20%,10V,LZ,TP,10X16MM	1	SA	
R907	2007-000174	R-CHIP;47ohm,5%,1/16W,TP,1005	1	SNA		C1S38	2301-000129	C-FILM,LEAD-PEF;100nF,5%,50V,TP,10	1	SA	
R908	2007-000174	R-CHIP;47ohm,5%,1/16W,TP,1005	1	SNA		C1S39	2301-000402	C-FILM,LEAD-PEF;1nF,5%,50V,TP,6x9	1	SNA	
R909	2007-000174	R-CHIP;47ohm,5%,1/16W,TP,1005	1	SNA		C1S40	2301-000129	C-FILM,LEAD-PEF;100nF,5%,50V,TP,10	1	SA	
R910	2007-000174	R-CHIP;47ohm,5%,1/16W,TP,1005	1	SNA		C1S42	2401-004052	C-AL;2200UF,20%,16V,-,TP,12.5X25.5	1	SA	
R911	2007-000174	R-CHIP;47ohm,5%,1/16W,TP,1005	1	SNA		C1S44	2401-000717	C-AL;2200uF,20%,25V,WT,TP,12.5x25	1	SNA	
R912	2007-000140	R-CHIP;1Kohm,5%,1/16W,TP,1005	1	SNA		CN1	3710-001919	SOCKET-BOARD TO CABLE;16P,1R,2.5mm	1	SA	
R913	2007-000140	R-CHIP;1Kohm,5%,1/16W,TP,1005	1	SNA		CN1S1	3711-000203	HEADER-BOARD TO CABLE;1WALL,2P/3P,	1	SA	
R914	2007-000141	R-CHIP;2.2Kohm,5%,1/16W,TP,1005	1	SNA		CN2	3711-003942	HEADER-BOARD TO CABLE;BOX,2P,1R,2m	1	SA	
R915	2007-000141	R-CHIP;2.2Kohm,5%,1/16W,TP,1005	1	SNA		D1S10	0402-000012	DIODE-RECTIFIER;UF4007,1000V,1A,DO	1	SA	
R938	2007-001292	R-CHIP;33ohm,5%,1/16W,TP,1005	1	SNA		D1S11	0402-000351	DIODE-RECTIFIER;1N4937,600V,1A,DO-	1	SNA	
R939	2007-000148	R-CHIP;10Kohm,5%,1/16W,TP,1005	1	SA		D1S32	0402-000351	DIODE-RECTIFIER;1N4937,600V,1A,DO-	1	SNA	
R940	2007-000148	R-CHIP;10Kohm,5%,1/16W,TP,1005	1	SA		D1S33	0402-000165	DIODE-RECTIFIER;1N5819,40V,1A,DO-4	1	SA	
R941	2007-000148	R-CHIP;10Kohm,5%,1/16W,TP,1005	1	SA		D1S34	0404-001489	DIODE-SCHOTTKY;SBR20A200CTFP,200V,	1	SA	
R942	2007-000140	R-CHIP;1Kohm,5%,1/16W,TP,1005	1	SNA		D1S34A	AK62-00009A	HEAT SINK-MAIN;DVD-CM350,AL1050R,T	1	SNA	
R943	2007-000148	R-CHIP;10Kohm,5%,1/16W,TP,1005	1	SA		D1S34S	6003-000283	SCREW-TAPTTYPE;BH,+,-,B,M3,L8,ZPC(W	1	SNA	
R946	2007-000148	R-CHIP;10Kohm,5%,1/16W,TP,1005	1	SA		D1S37	0402-001600	DIODE-RECTIFIER;MBRF20100CT,100V,2	1	SA	
R947	2007-000148	R-CHIP;10Kohm,5%,1/16W,TP,1005	1	SA		D1S37A	AK62-00009A	HEAT SINK-MAIN;DVD-CM350,AL1050R,T	1	SNA	
R949	2007-001292	R-CHIP;33ohm,5%,1/16W,TP,1005	1	SNA		D1S37S	6003-000283	SCREW-TAPTTYPE;BH,+,-,B,M3,L8,ZPC(W	1	SNA	
R951	2007-001292	R-CHIP;33ohm,5%,1/16W,TP,1005	1	SNA		F1S01	3601-000383	FUSE-CARTRIDGE;250V,2.5A,TIME-LAG,	1	SA	
R952	2007-001292	R-CHIP;33ohm,5%,1/16W,TP,1005	1	SNA		IC1P10	1203-002139	IC-POS.FIXED REG.;378R12,TO-220F,	1	SA	
R953	2007-001292	R-CHIP;33ohm,5%,1/16W,TP,1005	1	SNA		IC1S02	0604-001028	PHOTO-COUPLER;TR,50-600%,250mW,DIP	1	SC	
R954	2007-001292	R-CHIP;33ohm,5%,1/16W,TP,1005	1	SNA		IC1S03	AC14-12006D	IC;KA431Z,TO-92,TAPING	1	SA	
R955	2007-001292	R-CHIP;33ohm,5%,1/16W,TP,1005	1	SNA		IC1S10	1203-006227	IC-PWM CONTROLLER;ICE3BR1065JF,TO-	1	SNA	
RAPTOR	0903-001650	IC-MICROCONTROLLER;SA57970X03,ETQF	1	SNA		JP1	3811-001868	WIRE-NO SHEATH CU;SnCuFe,52mm,GRY	1	SNA	
SUB01	0202-001463	SOLDER-WIRE;LFC2-W3.0,-,D3,99.79Sn	4.233	SNA		JP10	3811-001868	WIRE-NO SHEATH CU;SnCuFe,52mm,GRY	1	SNA	
SUB02	0204-002607	FLUX;DF-234U,13%,14KG,Gravity 0.82	4.231	SNA		JP11	3811-001868	WIRE-NO SHEATH CU;SnCuFe,52mm,GRY	1	SNA	
SUB03	0204-002420	SOLVENT;1M-1000,C3H7OH,96	0.0065	SNA		JP12	3811-001868	WIRE-NO SHEATH CU;SnCuFe,52mm,GRY	1	SNA	
SUB04	0202-001608	SOLDER-WIRE FLUX;LFC7-107,D0.8,99	0.25	SNA		JP14	3811-001868	WIRE-NO SHEATH CU;SnCuFe,52mm,GRY	1	SNA	
SUB05	0202-001477	SOLDER-CREAM;LST309-M,D20-45um,96	2.231	SNA		JP15	3811-001868	WIRE-NO SHEATH CU;SnCuFe,52mm,GRY	1	SNA	
TU801	AK40-00042A	TUNER;DNBU10711ISA,DNBU10711ISA,DV	1	SNA		JP16	3811-001868	WIRE-NO SHEATH CU;SnCuFe,52mm,GRY	1	SNA	
VT101	1405-001192	VARIATOR;12Vdc,30A,1.6x0.8x0.55mm,	1	SA		JP17	3811-001868	WIRE-NO SHEATH CU;SnCuFe,52mm,GRY	1	SNA	
VT102	1405-001192	VARIATOR;12Vdc,30A,1.6x0.8x0.55mm,	1	SA		JP18	3811-001868	WIRE-NO SHEATH CU;SnCuFe,52mm,GRY	1	SNA	
X1	2801-004655	CRYSTAL-SMD;25MHz,50ppm,SX-3,18pF,	1	SA		JP19	3811-001868	WIRE-NO SHEATH CU;SnCuFe,52mm,GRY	1	SNA	
X1001	2801-004146	CRYSTAL-SMD;20MHz,30ppm,SX-3,18pF,	1	SA		JP2	3811-001868	WIRE-NO SHEATH CU;SnCuFe,52mm,GRY	1	SNA	
X201	2801-004655	CRYSTAL-SMD;25MHz,50ppm,SX-3,18pF,	1	SA		JP20	3811-001868	WIRE-NO SHEATH CU;SnCuFe,52mm,GRY	1	SNA	
X301	2801-004913	CRYSTAL-SMD;24MHz,10ppm,SX-1,12pF,	1	SNA		JP25	3811-001868	WIRE-NO SHEATH CU;SnCuFe,52mm,GRY	1	SNA	
X501	2806-001308	OSCILLATOR-VXCO;27MHZ,-,30PF,TP,3	1	SA		JP26	3811-001868	WIRE-NO SHEATH CU;SnCuFe,52mm,GRY	1	SNA	
X901	2804-001521	OSCILLATOR-CLOCK;27MHz,50ppm,HCMOS	1	SA		JP27	3811-001868	WIRE-NO SHEATH CU;SnCuFe,52mm,GRY	1	SNA	
	AK97-04048A	ASSY SMD;BD-C8500S,XEG,MAIN ASSY,A	1	SNA		JP3	3811-001868	WIRE-NO SHEATH CU;SnCuFe,52mm,GRY	1	SNA	
						JP4	3811-001868	WIRE-NO SHEATH CU;SnCuFe,52mm,GRY	1	SNA	
						JP5	3811-001868	WIRE-NO SHEATH CU;SnCuFe,52mm,GRY	1	SNA	
						JP6	3811-001868	WIRE-NO SHEATH CU;SnCuFe,52mm,GRY	1	SNA	
PO01A	AK94-00293A	ASSY PCB SMPS;BD-C8500,KEF,SMPS AS	1	SA		JP7	3811-001868	WIRE-NO SHEATH CU;SnCuFe,52mm,GRY	1	SNA	
BD1	0402-001608	DIODE-BRIDGE;GBJ2J,600V,2A,SIP-4,B	1	SA		JP8	3811-001868	WIRE-NO SHEATH CU;SnCuFe,52mm,GRY	1	SNA	
C1P101	2401-000832	C-AL;220uF,20%,25V,GP,TP,8x11.5,5	1	SA		JP9	3811-001868	WIRE-NO SHEATH CU;SnCuFe,52mm,GRY	1	SNA	
C1P102	2401-001583	C-AL;47uF,20%,50V,WT,TP,6.3x11.5	1	SA		L1S01	AK29-00002A	FILTER EMI;RECORDER,SQ2222.0.42ohm	1	SA	
C1P103	2401-003480	C-AL;1000UF,20%,10V,LZ,TP,10X16MM,	1	SA		L1S02	AK29-00002A	FILTER EMI;RECORDER,SQ2222.0.42ohm	1	SA	
C1S01	2201-002044	C-CERAMIC,DISC;0.1NF,10%,400V,Y5P,	1	SA		L1S10	3301-000297	BEAD-AXIAL;25ohm,3.6x1.2x5.7mm,-,T	1	SNA	
C1S02	2201-002044	C-CERAMIC,DISC;0.1NF,10%,400V,Y5P,	1	SA		L1S30	AK27-00008A	COIL CHOKE;BAR5*20,BD-P1600,5.5uH,	1	SA	
C1S03	2301-001792	C-FILM,LEAD;150nF,20%,275V,BK,17.5	1	SA							
C1S04	2301-001792	C-FILM,LEAD;150nF,20%,275V,BK,17.5	1	SA							

Loc.No	Parts No	Description / Specification	Qty	S.N.A	Remark	Loc.No	Parts No	Description / Specification	Qty	S.N.A	Remark
PC1S01	3602-000103	FUSE-CLIP;-,-,10mohm	1	SNA		R6	2007-000101	R-CHIP;82Kohm,5%,1/10W,TP,1608	1	SA	
PC1S02	3602-000103	FUSE-CLIP;-,-,10mohm	1	SNA		R7	2007-000090	R-CHIP;10Kohm,5%,1/10W,TP,1608	1	SA	
PCB	AK41-00971A	PCB-SMPS;BD-C8500,FR-1,1.00,1.6T,2	0.5	SNA		R8	2007-000090	R-CHIP;10Kohm,5%,1/10W,TP,1608	1	SA	
PT01	AK26-00044A	TRANS SWITCHING;ER2828,BD-C8500,FR	1	SNA		R9	2007-000090	R-CHIP;10Kohm,5%,1/10W,TP,1608	1	SA	
Q1P104	0505-001522	FET-SILICON;FQP33N10,N,100V,33A,0.	1	SA		SUB01	0202-001463	SOLDER-WIRE;LFC2-W3.0,-,D3,99.79Sn	0.604	SNA	
R1P105	2001-000429	R-CARBON;1Kohm,5%,1/8W,AA,TP,1.8x3	1	SA		SUB02	0202-001477	SOLDER-CREAM;LST309-M,D20-45um,96.	0.087	SNA	
R1P106	2001-000429	R-CARBON;1Kohm,5%,1/8W,AA,TP,1.8x3	1	SA		SUB03	0202-001608	SOLDER-WIRE FLUX;LFC7-107,DO,8.99.	0.003	SNA	
R1P108	2001-000290	R-CARBON;10Kohm,5%,1/8W,AA,TP,1.8x	1	SA		SUB04	0204-002420	SOLVENT;1M-1000,C3H7OH,96	0.00646	SNA	
R1P112	2001-000038	R-CARBON;390ohm,5%,1/4W,AA,TP,2.4x	1	SA		SUB05	0204-002607	FLUX;DF-234U,13%,14KG,Gravity 0.82	4.204	SNA	
R1S01	2002-000121	R-COMPOSITION;1Mohm,10%,1/2W,AA,TP	1	SA		VFD-HO	AK61-00999A	HOLDER-VFD;BD-C5300/XAA,ABS,T2.0,W	1	SNA	
R1S02	1404-001361	THERMISTOR-NTC;3ohm,4A,-,35mW/C,0u	1	SA		VFD-SH	AK63-00611A	SHEET-WINDOW;BD-C5300/XAA,PC,T0.5,	1	SNA	
R1S10	2003-000011	R-METAL OXIDE(S);68Kohm,5%,3W,AA,T	1	SA			3809-002585	CABLE-FLAT;60V,105C,60mm,5P,1mm,UL	1	SNA	
R1S11	2001-000527	R-CARBON;22ohm,5%,1/8W,AA,TP,1.8x3	1	SA			3809-002589	CABLE-FLAT;60V,105C,100mm,18P,1.25	1	SNA	
R1S12	2003-002197	R-METAL OXIDE;0.47ohm,5%,2W,AF,TP,	1	SA			10103-004609	RESIN-ABS;BK0007,HB,ABS,High Flow	4.5	SNA	
R1S13	2001-000527	R-CARBON;22ohm,5%,1/8W,AA,TP,1.8x3	1	SA			AK97-04177A	ASSY SMD-VFD;XEU,FRONT-VFD ASSY,AK	1	SNA	
R1S34	2001-001138	R-CARBON(S);390ohm,5%,1/2W,AA,TP,2	1	SA		MU01A	AK94-00294A	ASSY PCB S-USB;BD-C8500,XEF,USB AS	1	SA	
R1S35	2001-000281	R-CARBON;100ohm,5%,1/8W,AA,TP,1.8x	1	SA		CN2	3722-002313	JACK-USB;4P1C,AU30U,BLK,STRAIGHT,	1	SA	
R1S36	2001-000007	R-CARBON;3Kohm,5%,1/8W,AA,TP,1.8x3	1	SA		PCB	AK41-00972A	PCB-USB;BD-C8500,FR-1,1.00,1.6T,15	0.0278	SNA	
R1S37	2001-000290	R-CARBON;10Kohm,5%,1/8W,AA,TP,1.8x	1	SA		SUB01	0202-001463	SOLDER-WIRE;LFC2-W3.0,-,D3,99.79Sn	0.12	SNA	
R1S38	2004-000869	R-METAL;3Kohm,1%,1/8W,AA,TP,1.8x3.	1	SA		SUB02	0202-001608	SOLDER-WIRE FLUX;LFC7-107,DO,8.99.	0.003	SNA	
R1S39	2004-000869	R-METAL;3Kohm,1%,1/8W,AA,TP,1.8x3.	1	SA		SUB03	0204-002420	SOLVENT;1M-1000,C3H7OH,96	0.0001	SNA	
R1S40	2004-001596	R-METAL;220ohm,1%,1/4W,AA,TP,2.4x6	1	SA		SUB04	0204-002607	FLUX;DF-234U,13%,14KG,Gravity 0.82	0.067	SNA	
SUB01	0202-001463	SOLDER-WIRE;LFC2-W3.0,-,D3,99.79Sn	3.869	SNA		USCN	3708-002161	CONNECTOR-FPC/FFC/PIC;5P,1mm,ANGLE	1	SA	
SUB02	0202-001608	SOLDER-WIRE FLUX;LFC7-107,DO,8.99.	0.003	SNA		MLO2A	AK94-00296B	ASSY PCB LED-DECK;BD-C8500M,XEU,DE	1	SA	
SUB03	0204-002420	SOLVENT;1M-1000,C3H7OH,96	0.00259	SNA		C1	2203-005148	C-CER,CHIP;100nF,10%,16V,X7R,TP,16	1	SNA	
SUB04	0204-002607	FLUX;DF-234U,13%,14KG,Gravity 0.82	1.688	SNA		C2	2203-005148	C-CER,CHIP;100nF,10%,16V,X7R,TP,16	1	SNA	
VA1S01	1405-000152	VARISTOR;560V,2500A,14x8.5mm,TP	1	SA		C3	2203-005148	C-CER,CHIP;100nF,10%,16V,X7R,TP,16	1	SNA	
VA1S02	1405-001026	VARISTOR;470V,600A,9x7mm,TP	1	SNA		C4	2203-007270	C-CER,CHIP;1000nF,10%,10V,X5R,TP,	1	SNA	
ZD1P10	0403-000754	DIODE-ZENER;MTZJ30C,28.2-29.6V,500	1	SA		C5	2203-005148	C-CER,CHIP;100nF,10%,16V,X7R,TP,16	1	SNA	
ZD1S10	0403-000752	DIODE-ZENER;MTZJ22C,21.08-22.17V,5	1	SA		CN1	3708-002069	CONNECTOR-FPC/FFC/PIC;7P,1mm,SMD-A	1	SNA	
	AK97-03504A	ASSY AUTO;XEF,AK94-00293A	1	SNA		CN2	3708-002163	CONNECTOR-FPC/FFC/PIC;14P,1mm,SMD-	1	SNA	
MF01A	AK94-00298B	ASSY PCB FRONT-VFD;BD-C8500M,XEU,F	1	SA		IC1	1209-001912	IC-SENSOR;NTS1124N,QFN,40P,5x5x0.8	1	SNA	
BD1	3301-001404	BEAD-SMD;30ohm,2012,TP,15.9OHM/30M	1	SA		OP1	0601-002908	LED;SMD(SIDE VIEW),WHT,3.8x1.2mm,3	1	SNA	
BD2	3301-001404	BEAD-SMD;30ohm,2012,TP,15.9OHM/30M	1	SA		OP10	0601-002908	LED;SMD(SIDE VIEW),WHT,3.8x1.2mm,3	1	SNA	
BD3	3301-001404	BEAD-SMD;30ohm,2012,TP,15.9OHM/30M	1	SA		OP11	0601-002908	LED;SMD(SIDE VIEW),WHT,3.8x1.2mm,3	1	SNA	
C1	2203-000257	C-CER,CHIP;10nF,10%,50V,X7R,TP,160	1	SA		OP12	0601-002908	LED;SMD(SIDE VIEW),WHT,3.8x1.2mm,3	1	SNA	
C2	2203-007270	C-CER,CHIP;1000nF,10%,10V,X5R,TP,	1	SNA		OP2	0601-002908	LED;SMD(SIDE VIEW),WHT,3.8x1.2mm,3	1	SNA	
C3	2203-000440	C-CER,CHIP;1nF,10%,50V,X7R,TP,1608	1	SA		OP3	0601-002908	LED;SMD(SIDE VIEW),WHT,3.8x1.2mm,3	1	SNA	
C4	2203-006333	C-CER,CHIP;1000nF,20%,16V,X5R,TP,	1	SNA		OP4	0601-002908	LED;SMD(SIDE VIEW),WHT,3.8x1.2mm,3	1	SNA	
C5	2203-000257	C-CER,CHIP;10nF,10%,50V,X7R,TP,160	1	SA		OP5	0601-002908	LED;SMD(SIDE VIEW),WHT,3.8x1.2mm,3	1	SNA	
C6	2203-007270	C-CER,CHIP;1000nF,10%,10V,X5R,TP,	1	SNA		OP6	0601-002908	LED;SMD(SIDE VIEW),WHT,3.8x1.2mm,3	1	SNA	
C7	2203-005249	C-CER,CHIP;100nF,10%,50V,X7R,TP,16	1	SNA		OP7	0601-002908	LED;SMD(SIDE VIEW),WHT,3.8x1.2mm,3	1	SNA	
C8	2203-005249	C-CER,CHIP;100nF,10%,50V,X7R,TP,16	1	SNA		OP8	0601-002908	LED;SMD(SIDE VIEW),WHT,3.8x1.2mm,3	1	SNA	
CN1	3708-001691	CONNECTOR-FPC/FFC/PIC;18P,1.25mm,A	1	SA		OP9	0601-002908	LED;SMD(SIDE VIEW),WHT,3.8x1.2mm,3	1	SNA	
CN2	AK07-00073A	VF DISPLAY;HNV-07S81T,BD-C5500,78	1	SNA		PCB	AK41-00978A	PCB-DECKLED;BD-C8500,PHENOL,2,00,1	0.25	SNA	
CN3	3708-002161	CONNECTOR-FPC/FFC/PIC;5P,1mm,ANGLE	1	SA		Q1	0501-000465	TR-SMALL SIGNAL;MMBT3904,NPN,350mW	1	SA	
CN4	3708-002061	CONNECTOR-FPC/FFC/PIC;7P,1mm,SMD-A	1	SA		Q2	0501-000465	TR-SMALL SIGNAL;MMBT3904,NPN,350mW	1	SA	
D1	0403-001779	DIODE-ZENER;MMSZ5234BT1G,5.89/6.51	1	SA		Q3	0501-000465	TR-SMALL SIGNAL;MMBT3904,NPN,350mW	1	SA	
IC1	1003-002176	IC-VFD;MC3401,LQFP,44P,10x10mm,-40	1	SA		Q4	0501-000465	TR-SMALL SIGNAL;MMBT3904,NPN,350mW	1	SA	
OP1	0609-001202	MODULE REMOCON;HORIZONTAL,12.4mm,T	1	SA		Q5	0501-000465	TR-SMALL SIGNAL;MMBT3904,NPN,350mW	1	SA	
PCB	AK41-00973B	PCB-VFD;BD-C8500M,FR-1,2,00,1.6T,2	0.1	SNA		Q6	0501-000465	TR-SMALL SIGNAL;MMBT3904,NPN,350mW	1	SA	
R1	2007-000077	R-CHIP;470ohm,5%,1/10W,TP,1608	1	SA		R1	2007-001014	R-CHIP;51ohm,5%,1/10W,TP,1608	1	SA	
R10	2007-000090	R-CHIP;10Kohm,5%,1/10W,TP,1608	1	SA		R10	2007-001014	R-CHIP;51ohm,5%,1/10W,TP,1608	1	SA	
R11	2007-000074	R-CHIP;100ohm,5%,1/10W,TP,1608	1	SA		R11	2007-001014	R-CHIP;51ohm,5%,1/10W,TP,1608	1	SA	
R12	2007-000074	R-CHIP;100ohm,5%,1/10W,TP,1608	1	SA		R12	2007-001014	R-CHIP;51ohm,5%,1/10W,TP,1608	1	SA	
R13	2007-000074	R-CHIP;100ohm,5%,1/10W,TP,1608	1	SA		R13	2007-000090	R-CHIP;10Kohm,5%,1/10W,TP,1608	1	SA	
R14	2007-002437	R-CHIP;2ohm,5%,1/10W,TP,1608	1	SNA		R14	2007-000084	R-CHIP;4.7Kohm,5%,1/10W,TP,1608	1	SA	
R2	2007-000077	R-CHIP;470ohm,5%,1/10W,TP,1608	1	SA		R15	2007-000084	R-CHIP;4.7Kohm,5%,1/10W,TP,1608	1	SA	
R3	2007-000102	R-CHIP;100Kohm,5%,1/10W,TP,1608	1	SA		R16	2007-000080	R-CHIP;2Kohm,5%,1/10W,TP,1608	1	SNA	
R4	2007-000293	R-CHIP;100ohm,5%,1/4W,TP,3216	1	SNA		R17	2007-001044	R-CHIP;56ohm,5%,1/10W,TP,1608	1	SA	
R5	2007-000293	R-CHIP;100ohm,5%,1/4W,TP,3216	1	SNA							

Exploded Views and Parts List

Loc.No	Parts No	Description / Specification	Qty	S.N.A	Remark	Loc.No	Parts No	Description / Specification	Qty	S.N.A	Remark
R18	2007-001044	R-CHIP;56ohm,5%,1/10W,TP,1608	1	SA		Q10	0501-000465	TR-SMALL SIGNAL;MMBT3904,NPN,350mW	1	SA	
R19	2007-001044	R-CHIP;56ohm,5%,1/10W,TP,1608	1	SA		Q11	0501-000465	TR-SMALL SIGNAL;MMBT3904,NPN,350mW	1	SA	
R2	2007-001014	R-CHIP;51ohm,5%,1/10W,TP,1608	1	SA		Q12	0501-000465	TR-SMALL SIGNAL;MMBT3904,NPN,350mW	1	SA	
R20	2007-001044	R-CHIP;56ohm,5%,1/10W,TP,1608	1	SA		Q13	0501-000465	TR-SMALL SIGNAL;MMBT3904,NPN,350mW	1	SA	
R21	2007-001044	R-CHIP;56ohm,5%,1/10W,TP,1608	1	SA		Q14	0501-000465	TR-SMALL SIGNAL;MMBT3904,NPN,350mW	1	SA	
R22	2007-007785	R-CHIP;249Kohm,1%,1/10W,TP,1608	1	SA		Q15	0501-000465	TR-SMALL SIGNAL;MMBT3904,NPN,350mW	1	SA	
R23	2007-008035	R-CHIP;160Kohm,1%,1/10W,TP,1608	1	SA		Q16	0501-000465	TR-SMALL SIGNAL;MMBT3904,NPN,350mW	1	SA	
R24	2007-008035	R-CHIP;160Kohm,1%,1/10W,TP,1608	1	SA		Q17	0501-000465	TR-SMALL SIGNAL;MMBT3904,NPN,350mW	1	SA	
R25	2007-000078	R-CHIP;1Kohm,5%,1/10W,TP,1608	1	SA		Q18	0501-000465	TR-SMALL SIGNAL;MMBT3904,NPN,350mW	1	SA	
R26	2007-000078	R-CHIP;1Kohm,5%,1/10W,TP,1608	1	SA		R16	2007-001014	R-CHIP;51ohm,5%,1/10W,TP,1608	1	SA	
R27	2007-000078	R-CHIP;1Kohm,5%,1/10W,TP,1608	1	SA		R17	2007-001014	R-CHIP;51ohm,5%,1/10W,TP,1608	1	SA	
R28	2007-000078	R-CHIP;1Kohm,5%,1/10W,TP,1608	1	SA		R18	2007-001014	R-CHIP;51ohm,5%,1/10W,TP,1608	1	SA	
R29	2007-000078	R-CHIP;1Kohm,5%,1/10W,TP,1608	1	SA		R19	2007-001014	R-CHIP;51ohm,5%,1/10W,TP,1608	1	SA	
R3	2007-001014	R-CHIP;51ohm,5%,1/10W,TP,1608	1	SA		R20	2007-001014	R-CHIP;51ohm,5%,1/10W,TP,1608	1	SA	
R30	2007-000078	R-CHIP;1Kohm,5%,1/10W,TP,1608	1	SA		R21	2007-001014	R-CHIP;51ohm,5%,1/10W,TP,1608	1	SA	
R31	2007-000078	R-CHIP;1Kohm,5%,1/10W,TP,1608	1	SA		R22	2007-001014	R-CHIP;51ohm,5%,1/10W,TP,1608	1	SA	
R32	2007-000078	R-CHIP;1Kohm,5%,1/10W,TP,1608	1	SA		R23	2007-001014	R-CHIP;51ohm,5%,1/10W,TP,1608	1	SA	
R33	2007-000078	R-CHIP;1Kohm,5%,1/10W,TP,1608	1	SA		R24	2007-001014	R-CHIP;51ohm,5%,1/10W,TP,1608	1	SA	
R34	2007-000078	R-CHIP;1Kohm,5%,1/10W,TP,1608	1	SA		R25	2007-001014	R-CHIP;51ohm,5%,1/10W,TP,1608	1	SA	
R35	2007-000078	R-CHIP;1Kohm,5%,1/10W,TP,1608	1	SA		R26	2007-001014	R-CHIP;51ohm,5%,1/10W,TP,1608	1	SA	
R36	2007-000078	R-CHIP;1Kohm,5%,1/10W,TP,1608	1	SA		R27	2007-001014	R-CHIP;51ohm,5%,1/10W,TP,1608	1	SA	
R37	2007-000078	R-CHIP;1Kohm,5%,1/10W,TP,1608	1	SA		R28	2007-001014	R-CHIP;51ohm,5%,1/10W,TP,1608	1	SA	
R38	2007-000078	R-CHIP;1Kohm,5%,1/10W,TP,1608	1	SA		R29	2007-001014	R-CHIP;51ohm,5%,1/10W,TP,1608	1	SA	
R39	2007-000078	R-CHIP;1Kohm,5%,1/10W,TP,1608	1	SA		R30	2007-001014	R-CHIP;51ohm,5%,1/10W,TP,1608	1	SA	
R4	2007-001014	R-CHIP;51ohm,5%,1/10W,TP,1608	1	SA		R31	2007-001014	R-CHIP;51ohm,5%,1/10W,TP,1608	1	SA	
R40	2007-000078	R-CHIP;1Kohm,5%,1/10W,TP,1608	1	SA		R32	2007-001014	R-CHIP;51ohm,5%,1/10W,TP,1608	1	SA	
R5	2007-001014	R-CHIP;51ohm,5%,1/10W,TP,1608	1	SA		R33	2007-001014	R-CHIP;51ohm,5%,1/10W,TP,1608	1	SA	
R6	2007-001014	R-CHIP;51ohm,5%,1/10W,TP,1608	1	SA		R34	2007-001014	R-CHIP;51ohm,5%,1/10W,TP,1608	1	SA	
R7	2007-001014	R-CHIP;51ohm,5%,1/10W,TP,1608	1	SA		SUB01	0202-001463	SOLDER-WIRE;LFC2-W3.0,-D3,99.79Sn	0.006	SNA	
R8	2007-001014	R-CHIP;51ohm,5%,1/10W,TP,1608	1	SA		SUB02	0202-001477	SOLDER-CREAM;LST309-M,D20-45um,96.	0.221	SNA	
R9	2007-001014	R-CHIP;51ohm,5%,1/10W,TP,1608	1	SA		SUB03	0202-001608	SOLDER-WIRE FLUX;LFC7-107,D0.8,99.	0.003	SNA	
SUB02	0202-001477	SOLDER-CREAM;LST309-M,D20-45um,96.	0.153	SNA		SUB04	0204-002420	SOLVENT;1M-1000,C3H7OH,96	0.00339	SNA	
SUB03	0202-001608	SOLDER-WIRE FLUX;LFC7-107,D0.8,99.	0.003	SNA		SUB05	0204-002607	FLUX;DF-234U,13%,14KG Gravity 0.82	2.205	SNA	
3809-002587	CABLE-FLAT;60V,105C,70mm,7P,1mm,UL	1	SNA			3809-002588	CABLE-FLAT;60V,105C,200mm,14P,1mm,	1	SNA		
AK97-04181A	ASSY SMD-DECK;XEU,DECK-LED ASSY,AK	1	SNA			AK97-03515A	ASSY SMD-HDD;XEF,HDD-LED ASSY,AK94	1	SNA		
AUWLD	AK96-01284A	ASSY USB P-WIRELESS LAN MODULE-DNU	1	SA		MK01A	AK94-00295A	ASSY PCB KEY-TOUCH;BD-C8500.XEF,TO	1	SNA	
ML01A	AK94-00297A	ASSY PCB LED-HDD;BD-C8500.XEF,HDD-	1	SNA		CN1	3708-002140	CONNECTOR-FPC/FFC/PIC;5P,1mm,SMD-S	1	SNA	
CN2	3708-002163	CONNECTOR-FPC/FFC/PIC;14P,1mm,SMD-	1	SNA		D1	0401-001099	DIODE-SWITCHING;1N4148WS,75V,150mA	1	SA	
OP16	0601-002908	LED;SMD(SIDE VIEW),WHT,3.8x1.2mm,3	1	SNA		D2	0401-001099	DIODE-SWITCHING;1N4148WS,75V,150mA	1	SA	
OP17	0601-002908	LED;SMD(SIDE VIEW),WHT,3.8x1.2mm,3	1	SNA		D3	0401-001099	DIODE-SWITCHING;1N4148WS,75V,150mA	1	SA	
OP18	0601-002908	LED;SMD(SIDE VIEW),WHT,3.8x1.2mm,3	1	SNA		D4	0401-001099	DIODE-SWITCHING;1N4148WS,75V,150mA	1	SA	
OP19	0601-002908	LED;SMD(SIDE VIEW),WHT,3.8x1.2mm,3	1	SNA		D5	0401-001099	DIODE-SWITCHING;1N4148WS,75V,150mA	1	SA	
OP20	0601-002908	LED;SMD(SIDE VIEW),WHT,3.8x1.2mm,3	1	SNA		D6	0401-001099	DIODE-SWITCHING;1N4148WS,75V,150mA	1	SA	
OP21	0601-002908	LED;SMD(SIDE VIEW),WHT,3.8x1.2mm,3	1	SNA		D7	0401-001099	DIODE-SWITCHING;1N4148WS,75V,150mA	1	SA	
OP22	0601-002908	LED;SMD(SIDE VIEW),WHT,3.8x1.2mm,3	1	SNA		LED1	0601-002908	LED;SMD(SIDE VIEW),WHT,3.8x1.2mm,3	1	SNA	
OP23	0601-002908	LED;SMD(SIDE VIEW),WHT,3.8x1.2mm,3	1	SNA		LED2	0601-002908	LED;SMD(SIDE VIEW),WHT,3.8x1.2mm,3	1	SNA	
OP24	0601-002908	LED;SMD(SIDE VIEW),WHT,3.8x1.2mm,3	1	SNA		LED3	0601-002908	LED;SMD(SIDE VIEW),WHT,3.8x1.2mm,3	1	SNA	
OP25	0601-002908	LED;SMD(SIDE VIEW),WHT,3.8x1.2mm,3	1	SNA		LED4	0601-002908	LED;SMD(SIDE VIEW),WHT,3.8x1.2mm,3	1	SNA	
OP26	0601-002908	LED;SMD(SIDE VIEW),WHT,3.8x1.2mm,3	1	SNA		LED5	0601-002908	LED;SMD(SIDE VIEW),WHT,3.8x1.2mm,3	1	SNA	
OP27	0601-002908	LED;SMD(SIDE VIEW),WHT,3.8x1.2mm,3	1	SNA		LED6	0601-002908	LED;SMD(SIDE VIEW),WHT,3.8x1.2mm,3	1	SNA	
OP28	0601-002908	LED;SMD(SIDE VIEW),WHT,3.8x1.2mm,3	1	SNA		LED7	0601-002908	LED;SMD(SIDE VIEW),WHT,3.8x1.2mm,3	1	SNA	
OP29	0601-002908	LED;SMD(SIDE VIEW),WHT,3.8x1.2mm,3	1	SNA		PCB	AK41-00977A	PCB-TOUCH;BD-C8500,CEM-3,2.00,1.6T	0.143	SNA	
OP30	0601-002908	LED;SMD(SIDE VIEW),WHT,3.8x1.2mm,3	1	SNA		PD1	0406-001239	DIODE-TVS;RClamp0502B,6I/-V,125W,	1	SA	
OP31	0601-002908	LED;SMD(SIDE VIEW),WHT,3.8x1.2mm,3	1	SNA		R1	2007-000139	R-CHIP;220ohm,5%,1/16W,TP,1005	1	SNA	
OP32	0601-002908	LED;SMD(SIDE VIEW),WHT,3.8x1.2mm,3	1	SNA		R10	2007-000143	R-CHIP;4.7Kohm,5%,1/16W,TP,1005	1	SNA	
OP33	0601-002908	LED;SMD(SIDE VIEW),WHT,3.8x1.2mm,3	1	SNA		R2	2007-000139	R-CHIP;220ohm,5%,1/16W,TP,1005	1	SNA	
OP34	0601-002908	LED;SMD(SIDE VIEW),WHT,3.8x1.2mm,3	1	SNA		R3	2007-000139	R-CHIP;220ohm,5%,1/16W,TP,1005	1	SNA	
PCB	AK41-00979A	PCB-HDDLED;BD-C8500,PHENOL,2,00,1.	0.5	SNA		R4	2007-000139	R-CHIP;220ohm,5%,1/16W,TP,1005	1	SNA	
Q09	0501-000465	TR-SMALL SIGNAL;MMBT3904,NPN,350mW	1	SA		R5	2007-000139	R-CHIP;220ohm,5%,1/16W,TP,1005	1	SNA	
						R6	2007-000139	R-CHIP;220ohm,5%,1/16W,TP,1005	1	SNA	
						R7	2007-000139	R-CHIP;220ohm,5%,1/16W,TP,1005	1	SNA	

Loc.No	Parts No	Description / Specification	Qty	S.N.A	Remark	Loc.No	Parts No	Description / Specification	Qty	S.N.A	Remark
R8	2007-000139	R-CHIP;220ohm,5%,1/16W,TP,1005	1	SNA		CCM1	BN63-05199B	COVER-SHEET;AMBER,PE,T0.08,W65mm,2	0.45	SNA	
R9	2007-000143	R-CHIP;4.7Kohm,5%,1/16W,TP,1005	1	SNA		CCM1	AK68-01466Y	LABEL RATING;BD-P1600A/XER,SER,PET	1	SNA	
SUB01	0202-001463	SOLDER-WIRE;LFC2-W3.0,-,D3,99.79Sn	0.035	SNA		CIS1	0203-001598	TAPE-FILAMENT;#8915,0.15,12,55000,	0.095	SNA	
SUB02	0202-001477	SOLDER-CREAM;LST309-M,D20-45um,96.	0.058	SNA		CLAMPE	AK65-00001A	CLAMPER CORE-CORD POWER;EXINO,ABS	1	SNA	
SUB03	0202-001608	SOLDER-WIRE FLUX;LFC7-107,D0.8,99.	0.003	SNA		D001A	AK96-01294B	ASSY ENGINE P-BD DECK;BD-P6B,SEIN,	1	SNA	
SUB04	0204-002420	SOLVENT;1M-1000,C3H7OH,96	0.00369	SNA		DC01	AK39-00142C	DATA LINK CABLE;BD-C8500,7P/4P,7P/	1	SA	
SUB05	0204-002607	FLUX;DF-234U,13%,14KG,Gravity 0.82	2.4	SNA		EH01	AK59-00108A	HDD;500G;ST3500312CS,63/track,16,1	1	SA	
TC1	2203-006158	C-CER,CHIP;100nF,10%,16V,X7R,1005	1	SNA		F001	AK64-02463A	PANEL-FRONT;BD-C8500,ABS+PMMA	1	SNA	
TC10	2203-005393	C-CER,CHIP;0.005nF,0.1pF,50V,NP0,T	1	SNA		F001A	AK96-01338D	ASSY COVER P-PANEL;BD-C8500S,XEG,A	1	SNA	
TC11	2203-006158	C-CER,CHIP;100nF,10%,16V,X7R,1005	1	SNA		F002	AK64-02469A	PANEL-SIDE_L;BD-C8500,ABS,BLK,Hi-G	1	SA	
TC12	2203-005393	C-CER,CHIP;0.005nF,0.1pF,50V,NP0,T	1	SNA		F003	AK64-02470A	PANEL-SIDE_R;BD-C8500,ABS,BLK,Hi-G	1	SA	
TC13	2203-006158	C-CER,CHIP;100nF,10%,16V,X7R,1005	1	SNA		FD03	AK64-02464A	DOOR-TRAY;BD-C8500,ABS,Hi-grossy	1	SA	
TC14	2203-005393	C-CER,CHIP;0.005nF,0.1pF,50V,NP0,T	1	SNA		FD09	AH64-05319A	DECORATION-DECK;HT-C6500,ABS,2.5,3	1	SNA	
TC15	2203-006890	C-CER,CHIP;10000nF,20%,6.3V,X5R,16	1	SNA		FD10	AK64-02472A	DOOR-LOCK;BD-C8500,SUS416,SUS T0.2	1	SNA	
TC2	2203-005393	C-CER,CHIP;0.005nF,0.1pF,50V,NP0,T	1	SNA		FD19	AK64-02467A	DOOR-JACK;BD-C8500,ABS,Hi-Glossy,	1	SA	
TC3	2203-006158	C-CER,CHIP;100nF,10%,16V,X7R,1005	1	SNA		FD24	AK64-02465A	DOOR-HINGE_A;BD-C8500,ABS,Black	1	SA	
TC4	2203-005393	C-CER,CHIP;0.005nF,0.1pF,50V,NP0,T	1	SNA		FD25	AK64-02466A	DOOR-HINGE_B;BD-C8500,ABS,Black	1	SA	
TC5	2203-006158	C-CER,CHIP;100nF,10%,16V,X7R,1005	1	SNA		FL006	3809-002586	CABLE-FLAT;60V,105C,175mm,5P,1mm,U	1	SNA	
TC6	2203-005393	C-CER,CHIP;0.005nF,0.1pF,50V,NP0,T	1	SNA		HL02	AH67-00568A	LENS-DECK LIGHTING;HT-C6500,PMMA,M	1	SNA	
TC7	2203-006158	C-CER,CHIP;100nF,10%,16V,X7R,1005	1	SNA		L-BARC	AH68-00371A	LABEL-BAR CODE;ALL,ALL,ART PAPER,0	1	SNA	
TC8	2203-005393	C-CER,CHIP;0.005nF,0.1pF,50V,NP0,T	1	SNA		M0017	AK91-01034C	ASSY CHASSIS;BD-C8500S/XEF,ASSY CH	1	SNA	
TC9	2203-006158	C-CER,CHIP;100nF,10%,16V,X7R,1005	1	SNA		M0045	AK97-01943A	ASSY ACCESSORY;DVD-R157/XAA,-,NEXU	1	SNA	
TC1	1209-001971	IC-SENSOR;MST09S24BLQ-T030,24-QFN,	1	SNA		P025	3903-000176	CBF-POWER CORD;AT,EU,CP2,HOUSING(2	1	SA	
TR1	2007-001308	R-CHIP;200ohm,5%,1/16W,TP,1005	1	SNA		PE-BAG	6902-000240	BAG PE;LDPE,T0.02,W200,L200,TRP,2,	1	SNA	
TR10	2007-003012	R-CHIP;2.2Mohm,5%,1/16W,TP,1005	1	SNA		RCA	AC39-00073A	CABLE-RCA;SJO1-08-099,1.2MT,3P,A/V	1	SA	
TR11	2007-000831	R-CHIP;39Kohm,5%,1/16W,TP,1005	1	SA		REMO2	AK59-00104S	REMOCON;TM1051,MULTI 24P,49,3V,PAL	1	SA	
TR12	2007-003012	R-CHIP;2.2Mohm,5%,1/16W,TP,1005	1	SNA		S.N.A	0203-001100	TAPE-OPP MASKING;OPP/W75/CLR,T0.07	1.2	SNA	
TR13	2007-000831	R-CHIP;39Kohm,5%,1/16W,TP,1005	1	SA		T001A	AK96-01339B	ASSY COVER P-TOP;BD-C8500M,S,BD-C8	1	SA	
TR14	2007-003012	R-CHIP;2.2Mohm,5%,1/16W,TP,1005	1	SNA		T0286	3103-001212	FAN-DC;12,80mA,2000rpm,0.11m*3/mi,	1	SA	
TR15	2007-000831	R-CHIP;39Kohm,5%,1/16W,TP,1005	1	SA		T0524	6902-000286	BAG PE;LDPE,T0.03,W200,L300,TRP,8,	1	SNA	
TR16	2007-003012	R-CHIP;2.2Mohm,5%,1/16W,TP,1005	1	SNA		W275	6003-001561	SCREW-TAPTTYPE;BH,+,-,B,M3,L6,ZPC(W	9	SA	
TR17	2007-000831	R-CHIP;39Kohm,5%,1/16W,TP,1005	1	SA		W336	6001-000742	SCREW-INCH MACH;PH,+,-,UNC6-32,L4,2,	4	SA	
TR18	2007-003012	R-CHIP;2.2Mohm,5%,1/16W,TP,1005	1	SNA		W391	6003-000275	SCREW-TAPTTYPE;BH,+,-,B,M3,L10,ZPC(BL	3	SA	
TR19	2007-000831	R-CHIP;39Kohm,5%,1/16W,TP,1005	1	SA		W391	6003-000275	SCREW-TAPTTYPE;BH,+,-,B,M3,L10,ZPC(BL	5	SA	
TR2	2007-001308	R-CHIP;200ohm,5%,1/16W,TP,1005	1	SNA		W391	6003-000275	SCREW-TAPTTYPE;BH,+,-,B,M3,L10,ZPC(BL	10	SA	
TR20	2007-003012	R-CHIP;2.2Mohm,5%,1/16W,TP,1005	1	SNA		0103-004609	RESIN-ABS;BK0007,HB,ABS,High Flow	14	SNA		
TR21	2007-000831	R-CHIP;39Kohm,5%,1/16W,TP,1005	1	SA		0103-004618	RESIN-ABS;WT0034,HB,ABS,High Flow	12	SNA		
TR3	2007-001308	R-CHIP;200ohm,5%,1/16W,TP,1005	1	SNA		0103-007304	RESIN-PMMA;SF-0505HW,BK0041,UL-94	100	SNA		
TR4	2007-001308	R-CHIP;200ohm,5%,1/16W,TP,1005	1	SNA		0103-005096	RESIN-ABS;HB,ABS+PMMA	15	SNA		
TR5	2007-001308	R-CHIP;200ohm,5%,1/16W,TP,1005	1	SNA		0103-004609	RESIN-ABS;BK0007,HB,ABS,High Flow	4	SNA		
TR6	2007-001308	R-CHIP;200ohm,5%,1/16W,TP,1005	1	SNA		0103-004609	RESIN-ABS;BK0007,HB,ABS,High Flow	4	SNA		
TR7	2007-001308	R-CHIP;200ohm,5%,1/16W,TP,1005	1	SNA		0103-005096	RESIN-ABS;HB,ABS+PMMA	10	SNA		
TR8	2007-003012	R-CHIP;2.2Mohm,5%,1/16W,TP,1005	1	SNA		0103-007435	RESIN-PMMA;TF-0959H,LD781,TP0024,U	8	SNA		
TR9	2007-000831	R-CHIP;39Kohm,5%,1/16W,TP,1005	1	SA		0103-004618	RESIN-ABS;WT0034,HB,ABS,High Flow	5	SNA		
	AK97-03509A	ASSY SMD-TOUCH;XEF,TOUCH-KEY ASSY,	1	SNA		0103-005096	RESIN-ABS;HB,ABS+PMMA	320	SNA		
						0103-007279	RESIN-PMMA;TP0010,HB,PMMA,PMMA(Cle	6	SNA		
						0103-007435	RESIN-PMMA;TF-0959H,LD781,TP0024,U	10	SNA		
D001A	AK90-00080B	ASSY DECK-SKD;BD-C8500,SEIN,BD-P6B	1	SA		AK61-01018A	HOLDER-TOUCH;BD-C8500,ABS,White	1	SNA		
						AK63-00645A	SHEET-TOUCH;BD-C8500,PET T0.15,BLK	1	SNA		
						AK68-01868P	LABEL-STICKER POP;BD-C8500S/XEG,SE	1	SNA		
						AK61-01019A	HOLDER-BD;BD-C8500,ABS,White	1	SNA		
						AK64-02468A	DECORATION-HDD;BD-C8500,ABS,Natura	1	SNA		
ACCE1	AK92-01991F	ASSY ACCESSORY;BD-C8500S/XEG	1	SNA		AK67-00124A	LENS-BD;BD-C8500,PMMA,Sky Blue	1	SNA		
AH155	AK61-01020A	HOLDER-DECK;BD-C8500,HIPS,BLK	1	SNA		AK67-00125A	LENS-HDD;BD-C8500,PMMA,Sky Blue	1	SNA		
AS081	AK63-00676A	SHEET-HDD;BD-C8500,PC T0.3,HC800	1	SNA		0103-005096	RESIN-ABS;HB,ABS+PMMA	45	SNA		
AS161	AK63-00646A	SHEET-TOP;BD-C8500,PC,T2	1	SNA		0103-005096	RESIN-ABS;HB,ABS+PMMA	45	SNA		
AS223	AK63-00644A	SHIELD-TOP;BD-C8500,HIPS,Black	1	SNA		6801-001763	CARD-REGISTRATION;Europe Registrat	1	SNA		
B001A	AK96-01340B	ASSY COVER P-BOTTOM;BD-C8500S/XEG,	1	SNA		AK68-01960E	MANUAL USERS;BD-C8500S,XEG,GER,MOJ	1	SNA		
BATTER	AC43-12002H	BATTERY-DRY;R03(AAAM)	2	SNA		AK61-00916A	GUIDE-SPECIAL;DVD-SH895,M3 TAPTITE	4	SNA		
C011	AK61-00137A	SPRING ETC-DOOR;DVD-R4000,COIL,P10	1	SA		AK63-00689A	GASKET-EMI;BD-C8500,AL,0.07mm,20mm	1	SNA		
C1023	AK61-00608A	LEG;DVD-VR330,RUBBER,BLK,12	4	SNA		AK96-01415A	ASSY BRACKET P-HDD;BD-C8500,XEF,AS	1	SNA		
C701	AK73-00028A	RUBBER-HDD;DVD-HR800/XAA,BUTHYL 40	4	SNA		6902-000604	BAG WRAPPING;LDPE,T0.02,W500,L1000	1	SNA		
C928	AK63-00197A	GASKET-EMI;DP-R1,EMI sheet,T0.1,W7	1	SNA		AK63-00435B	SHEET-NITRON;BD-C5300/XAA,NITRON,0	1	SNA		
CB05	AK61-01021A	BRACKET-HDD;BD-C8500,SUS416,SECC T	1	SNA							
CC02	AK64-02471B	CHASSIS-BOTTOM;BD-C8500,SUS416,SEC	1	SNA							

Exploded Views and Parts List

Loc.No	Parts No	Description / Specification	Qty	S.N.A	Remark
	AK69-00825A	CUSHION-SET;BD-C8500,EPS,16.7g/l	1	SNA	
	AK69-00888A	CUSHION-PAD;BD-C8500,PLS-OTH,50,50	1	SNA	
	BH69-40383M	PACKING INNER-00,PAD;COMM,CB,1000,	0.046	SNA	
	BN69-03982F	PAD PACKING-EDGE;LB6T,PAPER,8,120,	0.037	SNA	
	BN69-04822Y	PALLET;-WOOD,1050,1150,135,8500,2	0.009	SNA	
	AK69-00827C	BOX-SET;BD-C8500S/XEG,CB,SW, A-1TY	1	SNA	
	AK96-01440E	ASSY MANUAL P;BD-C8500S,I/B,Q/G,XE	1	SNA	
	AK68-01955G	LABEL-POP STAND;BD-C8500S/XEG,SEG,	1	SNA	
	AK90-00085B	ASSY COVER BOTTOM;BD-C8500S/XEG	1	SNA	
	AK90-00086D	ASSY COVER TOP;BD-C8500S	1	SNA	
	AK91-01054C	ASSY SHIELD;BD-C8500S/XEG	1	SNA	
	AK92-01987A	ASSY P/MATERIAL;BD-C8500/XEF	1	SNA	
	AK92-01988C	ASSY BOX;BD-C8500S/XEG	1	SNA	
	AK92-01992C	ASSY LABEL;BD-C8500S/XEF	1	SNA	

Loc.No	Parts No	Description / Specification	Qty	S.N.A	Remark
--------	----------	-----------------------------	-----	-------	--------

MEMO