
5. Exploded View and Parts List

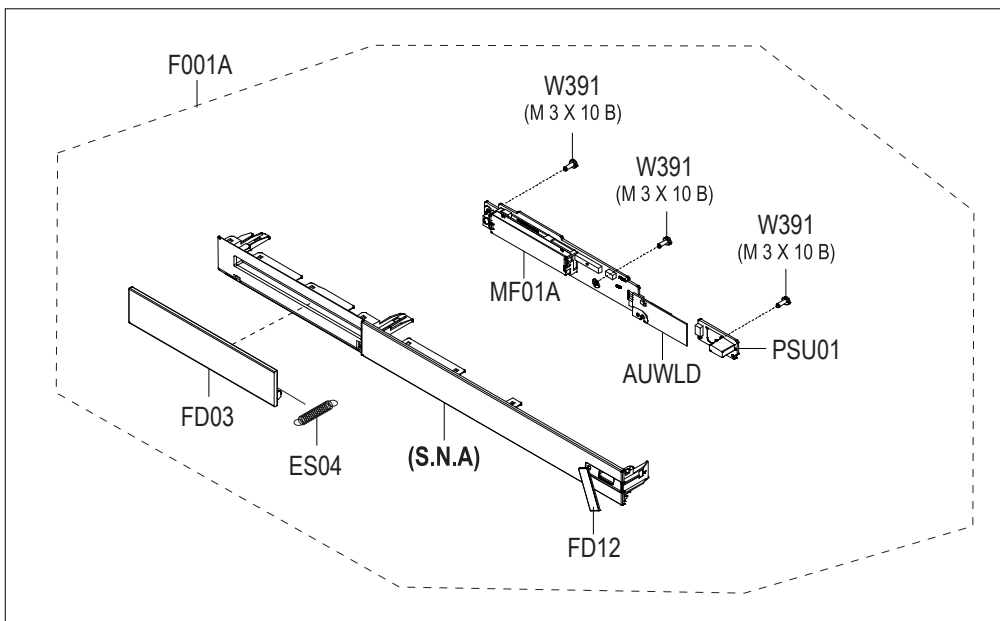
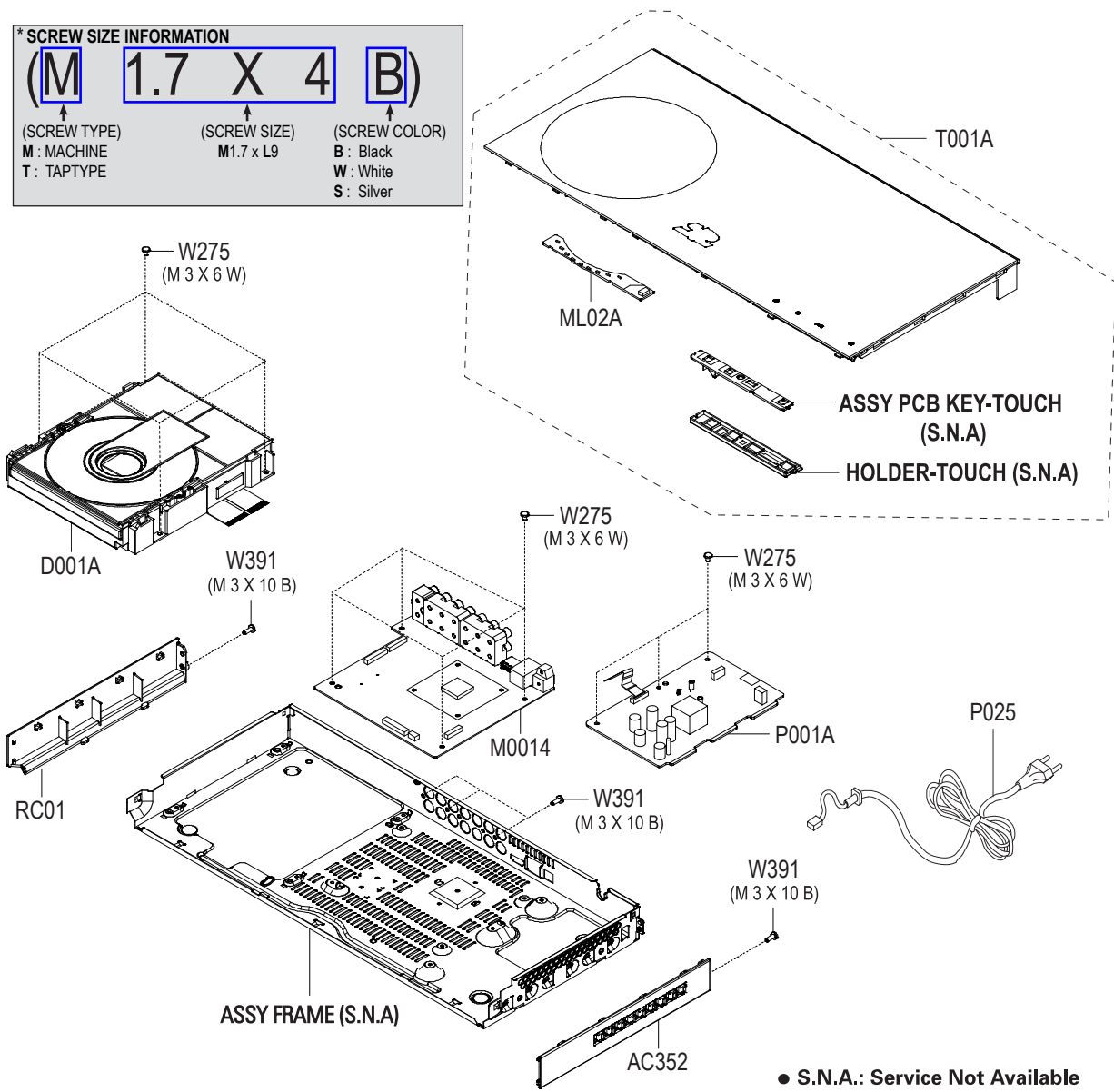
5-1 Cabinet Assembly----- 5-2

5-2 Electrical Parts List----- 5-4

5-1 Cabinet Assembly

*** SCREW SIZE INFORMATION**

(M)	1.7 X 4	(B)
(SCREW TYPE)	(SCREW SIZE)	(SCREW COLOR)
M : MACHINE	M1.7 x L9	B : Black
T : TAATYPE		W : White
		S : Silver



Loc. No	Parts No.	Description / Specification	Qty	SNA	Remark
AC352	AK63-00649A	COVER-SIDE;BD-C6900/XAA,PC,T2.5,W40	1	SA	
AUWLD	AK96-01284A	ASSY USB P-WIRELESS LAN MODULE;DNUB	1	SA	
D001A	AK90-00080J	ASSY DECK-SKD;BD-C6900,SEIN,BD-P6E,	1	SA	
ES04	AK61-01028A	SPRING ETC-DOOR;BD-C6900/XAA,SUS416	1	SA	
F001A	AK96-01396B	ASSY COVER P-PANEL;BD-C6900,XEE,XEF	1	SA	
FD03	AK64-02475A	DOOR-TRAY;BD-C6900/XAA,PC,T2.5,100,	2	SA	
FD12	AK64-02427A	DOOR-USB;BD-C5500/XAA,ABS BLK + ELA	1	SA	
M0014	AK94-00286B	ASSY PCB MAIN;BD-C6900/XEF,MAIN ASS	1	SA	
MF01A	AK94-00287A	ASSY PCB FRONT;BD-C6900/XAA,ASSY PC	1	SA	
ML02A	AK94-00306A	ASSY PCB LED-DECK;BD-C6900,XAA,DECK	1	SA	
P001A	AK94-00339B	ASSY PCB SMPS;BD-C6900/XEF,ASSY PCB	1	SA	
P025	3903-000176	CBF-POWER CORD;AT,EU,CP2,HOUSING(2P	1	SA	
PSU01	AK94-00282A	ASSY PCB S-SUB-USB;BD-C5500/XAA,ASS	1	SA	
RC01	AK63-00651A	COVER-SIDE R;BD-C6900/XAA,PC,T2.5,W	1	SA	
REMO2	AK59-00104R	REMOCON-ASSY;"10 BDP BD-C5500/XAA,S	1	SA	
T001A	AK96-01397B	ASSY COVER P-TOP;BD-C6900,XEE,XEF,A	1	SA	
W275	6003-001561	SCREW-TAPTYPE;BH,+,-,B,M3,L6,ZPC(WH	11	SA	
W391	6003-000275	SCREW-TAPTYPE;BH,+,-,B,M3,L10,ZPC(BLK	8	SA	

5-2 Electrical Parts List

Loc.No	Parts No	Description / Specification	Qty	S.N.A	Remark	Loc.No	Parts No	Description / Specification	Qty	S.N.A	Remark
M0014	AK94-00286B	ASSY PCB MAIN;BD-C6900/KEF,MAIN ASS	1	SA		C136	2203-006562	C-CER,CHIP;1000nF,10%,10V,X5R,TP,10	1	SNA	
BD101	3301-001404	BEAD-SMD;30ohm,2012,TP,15.9OHM/30MH	1	SA		C137	2203-006333	C-CER,CHIP;10000nF,20%,16V,X5R,TP,3	1	SNA	
BD102	3301-001404	BEAD-SMD;30ohm,2012,TP,15.9OHM/30MH	1	SA		C138	2203-006158	C-CER,CHIP;100nF,10%,16V,X7R,1005	1	SNA	
BD104	3301-001404	BEAD-SMD;30ohm,2012,TP,15.9OHM/30MH	1	SA		C139	2203-006361	C-CER,CHIP;10000nF,10%,10V,X5R,TP,2	1	SC	
BD105	3301-001404	BEAD-SMD;30ohm,2012,TP,15.9OHM/30MH	1	SA		C14	2203-002711	C-CER,CHIP;100nF,10%,25V,X7R,1608	1	SA	
BD106	3301-001404	BEAD-SMD;30ohm,2012,TP,15.9OHM/30MH	1	SA		C140	2203-006562	C-CER,CHIP;1000nF,10%,10V,X5R,TP,10	1	SNA	
BD107	3301-001404	BEAD-SMD;30ohm,2012,TP,15.9OHM/30MH	1	SA		C141	2203-003039	C-CER,CHIP;0.008nF,0.25pF,50V,COG,T	1	SNA	
BD108	3301-001404	BEAD-SMD;30ohm,2012,TP,15.9OHM/30MH	1	SA		C142	2203-006361	C-CER,CHIP;10000nF,10%,10V,X5R,TP,2	1	SC	
BD110	3301-001404	BEAD-SMD;30ohm,2012,TP,15.9OHM/30MH	1	SA		C144	2203-006361	C-CER,CHIP;10000nF,10%,10V,X5R,TP,2	1	SC	
BD111	3301-001404	BEAD-SMD;30ohm,2012,TP,15.9OHM/30MH	1	SA		C145	2203-006474	C-CER,CHIP;22000nF,20%,6.3V,X5R,201	1	SA	
BD112	3301-001404	BEAD-SMD;30ohm,2012,TP,15.9OHM/30MH	1	SA		C147	2203-006361	C-CER,CHIP;10000nF,10%,10V,X5R,TP,2	1	SC	
BD113	3301-001404	BEAD-SMD;30ohm,2012,TP,15.9OHM/30MH	1	SA		C148	2203-006474	C-CER,CHIP;22000nF,20%,6.3V,X5R,201	1	SA	
BD201	3301-001404	BEAD-SMD;30ohm,2012,TP,15.9OHM/30MH	1	SA		C149	2203-006474	C-CER,CHIP;22000nF,20%,6.3V,X5R,201	1	SA	
BD501	3301-001404	BEAD-SMD;30ohm,2012,TP,15.9OHM/30MH	1	SA		C15	2203-006559	C-CER,CHIP;0.18nF,5%,50V,NP0,1005	1	SNA	
BD502	3301-002039	BEAD-SMD;26ohm,1608,TP	1	SA		C153	2203-006361	C-CER,CHIP;10000nF,10%,10V,X5R,TP,2	1	SC	
BD701	3301-001404	BEAD-SMD;30ohm,2012,TP,15.9OHM/30MH	1	SA		C154	2203-006361	C-CER,CHIP;10000nF,10%,10V,X5R,TP,2	1	SC	
BD702	3301-001404	BEAD-SMD;30ohm,2012,TP,15.9OHM/30MH	1	SA		C155	2203-006890	C-CER,CHIP;10000nF,20%,6.3V,X5R,160	1	SNA	
BD703	3301-001404	BEAD-SMD;30ohm,2012,TP,15.9OHM/30MH	1	SA		C156	2203-006361	C-CER,CHIP;10000nF,10%,10V,X5R,TP,2	1	SC	
BD71	3301-001404	BEAD-SMD;30ohm,2012,TP,15.9OHM/30MH	1	SA		C157	2203-006048	C-CER,CHIP;100nF,10%,10V,X7R,TP,100	1	SA	
BD805	3301-002039	BEAD-SMD;26ohm,1608,TP	1	SA		C158	2203-006890	C-CER,CHIP;10000nF,20%,6.3V,X5R,160	1	SNA	
BD806	3301-001404	BEAD-SMD;30ohm,2012,TP,15.9OHM/30MH	1	SA		C159	2203-006474	C-CER,CHIP;22000nF,20%,6.3V,X5R,201	1	SA	
BD901	3301-001404	BEAD-SMD;30ohm,2012,TP,15.9OHM/30MH	1	SA		C16	2203-006158	C-CER,CHIP;100nF,10%,16V,X7R,1005	1	SNA	
C1	2203-006048	C-CER,CHIP;100nF,10%,10V,X7R,TP,100	1	SA		C17	2203-000254	C-CER,CHIP;10nF,10%,16V,X7R,TP,1005	1	SA	
C1001	2203-006048	C-CER,CHIP;100nF,10%,10V,X7R,TP,100	1	SA		C171	2203-006698	C-CER,CHIP;1000nF,10%,25V,X7R,1608	1	SNA	
C1002	2203-002720	C-CER,CHIP;10nF,10%,25V,X7R,TP,1005	1	SNA		C172	2203-006698	C-CER,CHIP;1000nF,10%,25V,X7R,1608	1	SNA	
C101	2203-006698	C-CER,CHIP;1000nF,10%,25V,X7R,1608	1	SNA		C173	2203-006698	C-CER,CHIP;1000nF,10%,25V,X7R,1608	1	SNA	
C102	2203-006361	C-CER,CHIP;10000nF,10%,10V,X5R,TP,2	1	SC		C174	2203-006698	C-CER,CHIP;1000nF,10%,25V,X7R,1608	1	SNA	
C103	2203-006562	C-CER,CHIP;1000nF,10%,10V,X5R,TP,10	1	SNA		C175	2203-006698	C-CER,CHIP;1000nF,10%,25V,X7R,1608	1	SNA	
C104	2203-006336	C-CER,CHIP;10000nF,10%,25V,X5R,3216	1	SA		C18	2203-001153	C-CER,CHIP;0.068nF,5%,50V,NP0,1005	1	SA	
C105	2203-003039	C-CER,CHIP;0.008nF,0.25pF,50V,COG,T	1	SNA		C19	2203-006047	C-CER,CHIP;33nF,10%,16V,X7R,1005	1	SA	
C106	2203-006336	C-CER,CHIP;10000nF,10%,25V,X5R,3216	1	SA		C2	2203-006048	C-CER,CHIP;100nF,10%,10V,X7R,TP,100	1	SA	
C107	2203-006361	C-CER,CHIP;10000nF,10%,10V,X5R,TP,2	1	SC		C20	2203-006047	C-CER,CHIP;33nF,10%,16V,X7R,1005	1	SA	
C108	2203-006474	C-CER,CHIP;22000nF,20%,6.3V,X5R,201	1	SA		C200	2203-000714	C-CER,CHIP;3.3nF,10%,50V,X7R,TP,100	1	SA	
C109	2203-006361	C-CER,CHIP;10000nF,10%,10V,X5R,TP,2	1	SC		C201	2203-000714	C-CER,CHIP;3.3nF,10%,50V,X7R,TP,100	1	SA	
C11	2203-006158	C-CER,CHIP;100nF,10%,16V,X7R,1005	1	SNA		C203	2203-006890	C-CER,CHIP;10000nF,20%,6.3V,X5R,160	1	SNA	
C110	2203-006361	C-CER,CHIP;10000nF,10%,10V,X5R,TP,2	1	SC		C204	2203-006048	C-CER,CHIP;100nF,10%,10V,X7R,TP,100	1	SA	
C1101	2203-006890	C-CER,CHIP;10000nF,20%,6.3V,X5R,160	1	SNA		C205	2203-006048	C-CER,CHIP;100nF,10%,10V,X7R,TP,100	1	SA	
C1102	2203-006361	C-CER,CHIP;10000nF,10%,10V,X5R,TP,2	1	SC		C206	2203-006890	C-CER,CHIP;10000nF,20%,6.3V,X5R,160	1	SNA	
C111	2203-005249	C-CER,CHIP;100nF,10%,50V,X7R,TP,160	1	SNA		C207	2203-006048	C-CER,CHIP;100nF,10%,10V,X7R,TP,100	1	SA	
C112	2203-005249	C-CER,CHIP;100nF,10%,50V,X7R,TP,160	1	SNA		C208	2203-006048	C-CER,CHIP;100nF,10%,10V,X7R,TP,100	1	SA	
C113	2203-006158	C-CER,CHIP;100nF,10%,16V,X7R,1005	1	SNA		C209	2203-006048	C-CER,CHIP;100nF,10%,10V,X7R,TP,100	1	SA	
C114	2203-006698	C-CER,CHIP;1000nF,10%,25V,X7R,1608	1	SNA		C21	2203-006158	C-CER,CHIP;100nF,10%,16V,X7R,1005	1	SNA	
C115	2203-006336	C-CER,CHIP;10000nF,10%,25V,X5R,3216	1	SA		C210	2203-006048	C-CER,CHIP;100nF,10%,10V,X7R,TP,100	1	SA	
C116	2203-006336	C-CER,CHIP;10000nF,10%,25V,X5R,3216	1	SA		C211	2203-006048	C-CER,CHIP;100nF,10%,10V,X7R,TP,100	1	SA	
C117	2203-006562	C-CER,CHIP;1000nF,10%,10V,X5R,TP,10	1	SNA		C212	2203-006048	C-CER,CHIP;100nF,10%,10V,X7R,TP,100	1	SA	
C118	2203-001385	C-CER,CHIP;0.0015nF,0.25pF,50V,NP0,	1	SNA		C213	2203-006048	C-CER,CHIP;100nF,10%,10V,X7R,TP,100	1	SA	
C119	2203-006336	C-CER,CHIP;10000nF,10%,25V,X5R,3216	1	SA		C214	2203-006048	C-CER,CHIP;100nF,10%,10V,X7R,TP,100	1	SA	
C120	2203-006562	C-CER,CHIP;1000nF,10%,10V,X5R,TP,10	1	SNA		C215	2203-006024	C-CER,CHIP;2200nF,10%,10V,X7R,2012	1	SNA	
C122	2203-006361	C-CER,CHIP;10000nF,10%,10V,X5R,TP,2	1	SC		C216	2203-006048	C-CER,CHIP;100nF,10%,10V,X7R,TP,100	1	SA	
C124	2203-000254	C-CER,CHIP;10nF,10%,16V,X7R,TP,1005	1	SA		C217	2203-006562	C-CER,CHIP;1000nF,10%,10V,X5R,TP,10	1	SNA	
C125	2203-006090	C-CER,CHIP;10000nF,10%,6.3V,X5R,TP,	1	SA		C218	2203-006024	C-CER,CHIP;2200nF,10%,10V,X7R,2012	1	SNA	
C126	2203-006336	C-CER,CHIP;10000nF,10%,25V,X5R,3216	1	SA		C219	2203-006024	C-CER,CHIP;2200nF,10%,10V,X7R,2012	1	SNA	
C127	2203-006090	C-CER,CHIP;10000nF,10%,6.3V,X5R,TP,	1	SA		C22	2203-006158	C-CER,CHIP;100nF,10%,16V,X7R,1005	1	SNA	
C128	2203-006336	C-CER,CHIP;10000nF,10%,25V,X5R,3216	1	SA		C220	2203-006048	C-CER,CHIP;100nF,10%,10V,X7R,TP,100	1	SA	
C129	2203-006336	C-CER,CHIP;10000nF,10%,25V,X5R,3216	1	SA		C221	2203-006890	C-CER,CHIP;10000nF,20%,6.3V,X5R,160	1	SNA	
C13	2203-005249	C-CER,CHIP;100nF,10%,50V,X7R,TP,160	1	SNA		C222	2203-006048	C-CER,CHIP;100nF,10%,10V,X7R,TP,100	1	SA	
C131	2203-006336	C-CER,CHIP;10000nF,10%,25V,X5R,3216	1	SA		C223	2203-006562	C-CER,CHIP;1000nF,10%,10V,X5R,TP,10	1	SNA	
C132	2203-006336	C-CER,CHIP;10000nF,10%,25V,X5R,3216	1	SA		C224	2203-006562	C-CER,CHIP;1000nF,10%,10V,X5R,TP,10	1	SNA	
C134	2203-006333	C-CER,CHIP;10000nF,20%,16V,X5R,TP,3	1	SNA		C225	2203-006562	C-CER,CHIP;1000nF,10%,10V,X5R,TP,10	1	SNA	
C135	2203-006158	C-CER,CHIP;100nF,10%,16V,X7R,1005	1	SNA		C226	2203-006562	C-CER,CHIP;1000nF,10%,10V,X5R,TP,10	1	SNA	

Loc.No	Parts No	Description / Specification	Qty	S.N.A	Remark	Loc.No	Parts No	Description / Specification	Qty	S.N.A	Remark
C227	2203-006048	C-CER,CHIP;100nF,10%,10V,X7R,TP,100	1	SA		C42	2203-002711	C-CER,CHIP;100nF,10%,25V,X7R,1608	1	SA	
C228	2203-006024	C-CER,CHIP;2200nF,10%,10V,X7R,2012	1	SNA		C43	2203-001103	C-CER,CHIP;6.8nF,10%,50V,X7R,TP,160	1	SA	
C229	2203-006048	C-CER,CHIP;100nF,10%,10V,X7R,TP,100	1	SA		C431	2203-006048	C-CER,CHIP;100nF,10%,10V,X7R,TP,100	1	SA	
C23	2203-002711	C-CER,CHIP;100nF,10%,25V,X7R,1608	1	SA		C432	2203-007233	C-CER,CHIP;22000nF,10%,16V,X5R,TP,3	1	SA	
C230	2203-006048	C-CER,CHIP;100nF,10%,10V,X7R,TP,100	1	SA		C433	2203-006170	C-CER,CHIP;220nF,10%,16V,X7R,1608	1	SNA	
C231	2203-006024	C-CER,CHIP;2200nF,10%,10V,X7R,2012	1	SNA		C434	2203-006048	C-CER,CHIP;100nF,10%,10V,X7R,TP,100	1	SA	
C232	2203-006890	C-CER,CHIP;10000nF,20%,6.3V,X5R,160	1	SNA		C44	2203-002711	C-CER,CHIP;100nF,10%,25V,X7R,1608	1	SA	
C233	2203-006024	C-CER,CHIP;2200nF,10%,10V,X7R,2012	1	SNA		C45	2203-002711	C-CER,CHIP;100nF,10%,25V,X7R,1608	1	SA	
C234	2203-006048	C-CER,CHIP;100nF,10%,10V,X7R,TP,100	1	SA		C46	2203-006158	C-CER,CHIP;100nF,10%,16V,X7R,1005	1	SNA	
C235	2203-006361	C-CER,CHIP;10000nF,10%,10V,X5R,TP,2	1	SC		C47	2203-005642	C-CER,CHIP;0.22nF,5%,50V,NP0,1005	1	SNA	
C236	2203-006562	C-CER,CHIP;1000nF,10%,10V,X5R,TP,10	1	SNA		C48	2203-005642	C-CER,CHIP;0.22nF,5%,50V,NP0,1005	1	SNA	
C237	2203-006048	C-CER,CHIP;100nF,10%,10V,X7R,TP,100	1	SA		C49	2203-005642	C-CER,CHIP;0.22nF,5%,50V,NP0,1005	1	SNA	
C238	2203-000489	C-CER,CHIP;2.2nF,10%,50V,X7R,TP,100	1	SA		C5	2203-006048	C-CER,CHIP;100nF,10%,10V,X7R,TP,100	1	SA	
C239	2203-000489	C-CER,CHIP;2.2nF,10%,50V,X7R,TP,100	1	SA		C50	2203-005642	C-CER,CHIP;0.22nF,5%,50V,NP0,1005	1	SNA	
C24	2203-006047	C-CER,CHIP;33nF,10%,16V,X7R,1005	1	SA		C501	2203-006048	C-CER,CHIP;100nF,10%,10V,X7R,TP,100	1	SA	
C241	2203-006048	C-CER,CHIP;100nF,10%,10V,X7R,TP,100	1	SA		C502	2203-006048	C-CER,CHIP;100nF,10%,10V,X7R,TP,100	1	SA	
C25	2203-006047	C-CER,CHIP;33nF,10%,16V,X7R,1005	1	SA		C503	2203-006048	C-CER,CHIP;100nF,10%,10V,X7R,TP,100	1	SA	
C26	2203-006158	C-CER,CHIP;100nF,10%,16V,X7R,1005	1	SNA		C504	2203-006048	C-CER,CHIP;100nF,10%,10V,X7R,TP,100	1	SA	
C27	2203-005249	C-CER,CHIP;100nF,10%,50V,X7R,TP,160	1	SNA		C505	2203-006048	C-CER,CHIP;100nF,10%,10V,X7R,TP,100	1	SA	
C28	2203-006047	C-CER,CHIP;33nF,10%,16V,X7R,1005	1	SA		C506	2203-005138	C-CER,CHIP;1.8nF,10%,50V,X7R,1005	1	SA	
C29	2203-002711	C-CER,CHIP;100nF,10%,25V,X7R,1608	1	SA		C507	2203-006048	C-CER,CHIP;100nF,10%,10V,X7R,TP,100	1	SA	
C3	2203-006048	C-CER,CHIP;100nF,10%,10V,X7R,TP,100	1	SA		C508	2203-006048	C-CER,CHIP;100nF,10%,10V,X7R,TP,100	1	SA	
C30	2203-006336	C-CER,CHIP;10000nF,20%,25V,X5R,3216	1	SA		C509	2203-006048	C-CER,CHIP;100nF,10%,10V,X7R,TP,100	1	SA	
C301	2203-006890	C-CER,CHIP;10000nF,20%,6.3V,X5R,160	1	SNA		C51	2203-006158	C-CER,CHIP;100nF,10%,16V,X7R,1005	1	SNA	
C302	2203-006048	C-CER,CHIP;100nF,10%,10V,X7R,TP,100	1	SA		C510	2203-006048	C-CER,CHIP;100nF,10%,10V,X7R,TP,100	1	SA	
C303	2203-006048	C-CER,CHIP;100nF,10%,10V,X7R,TP,100	1	SA		C5103	2203-006890	C-CER,CHIP;10000nF,20%,6.3V,X5R,160	1	SNA	
C304	2203-006048	C-CER,CHIP;100nF,10%,10V,X7R,TP,100	1	SA		C511	2203-006890	C-CER,CHIP;10000nF,20%,6.3V,X5R,160	1	SNA	
C305	2203-006048	C-CER,CHIP;100nF,10%,10V,X7R,TP,100	1	SA		C512	2203-006890	C-CER,CHIP;10000nF,20%,6.3V,X5R,160	1	SNA	
C306	2203-006048	C-CER,CHIP;100nF,10%,10V,X7R,TP,100	1	SA		C513	2203-006890	C-CER,CHIP;10000nF,20%,6.3V,X5R,160	1	SNA	
C307	2203-006048	C-CER,CHIP;100nF,10%,10V,X7R,TP,100	1	SA		C514	2203-006890	C-CER,CHIP;10000nF,20%,6.3V,X5R,160	1	SNA	
C309	2203-006890	C-CER,CHIP;10000nF,20%,6.3V,X5R,160	1	SNA		C515	2203-006048	C-CER,CHIP;100nF,10%,10V,X7R,TP,100	1	SA	
C31	2203-006047	C-CER,CHIP;33nF,10%,16V,X7R,1005	1	SA		C516	2203-006048	C-CER,CHIP;100nF,10%,10V,X7R,TP,100	1	SA	
C310	2203-006048	C-CER,CHIP;100nF,10%,10V,X7R,TP,100	1	SA		C517	2203-006048	C-CER,CHIP;100nF,10%,10V,X7R,TP,100	1	SA	
C311	2203-006048	C-CER,CHIP;100nF,10%,10V,X7R,TP,100	1	SA		C518	2203-006048	C-CER,CHIP;100nF,10%,10V,X7R,TP,100	1	SA	
C312	2203-006048	C-CER,CHIP;100nF,10%,10V,X7R,TP,100	1	SA		C519	2203-006048	C-CER,CHIP;100nF,10%,10V,X7R,TP,100	1	SA	
C313	2203-006890	C-CER,CHIP;10000nF,20%,6.3V,X5R,160	1	SNA		C52	2203-006158	C-CER,CHIP;100nF,10%,16V,X7R,1005	1	SNA	
C314	2203-006048	C-CER,CHIP;100nF,10%,10V,X7R,TP,100	1	SA		C520	2203-006048	C-CER,CHIP;100nF,10%,10V,X7R,TP,100	1	SA	
C319	2203-000254	C-CER,CHIP;10nF,10%,16V,X7R,TP,1005	1	SA		C521	2203-006048	C-CER,CHIP;100nF,10%,10V,X7R,TP,100	1	SA	
C320	2203-000254	C-CER,CHIP;10nF,10%,16V,X7R,TP,1005	1	SA		C522	2203-006048	C-CER,CHIP;100nF,10%,10V,X7R,TP,100	1	SA	
C321	2203-000646	C-CER,CHIP;0.024nF,5%,50V,COG,TP,16	1	SNA		C523	2203-006048	C-CER,CHIP;100nF,10%,10V,X7R,TP,100	1	SA	
C322	2203-000646	C-CER,CHIP;0.024nF,5%,50V,COG,TP,16	1	SNA		C524	2203-006048	C-CER,CHIP;100nF,10%,10V,X7R,TP,100	1	SA	
C323	2203-006048	C-CER,CHIP;100nF,10%,10V,X7R,TP,100	1	SA		C525	2203-006048	C-CER,CHIP;100nF,10%,10V,X7R,TP,100	1	SA	
C324	2203-006361	C-CER,CHIP;10000nF,10%,10V,X5R,TP,2	1	SC		C526	2203-006048	C-CER,CHIP;100nF,10%,10V,X7R,TP,100	1	SA	
C325	2203-006361	C-CER,CHIP;10000nF,10%,10V,X5R,TP,2	1	SC		C527	2203-006048	C-CER,CHIP;100nF,10%,10V,X7R,TP,100	1	SA	
C33	2203-005249	C-CER,CHIP;100nF,10%,50V,X7R,TP,160	1	SNA		C528	2203-006048	C-CER,CHIP;100nF,10%,10V,X7R,TP,100	1	SA	
C34	2203-006336	C-CER,CHIP;10000nF,10%,25V,X5R,3216	1	SA		C529	2203-006048	C-CER,CHIP;100nF,10%,10V,X7R,TP,100	1	SA	
C35	2203-006158	C-CER,CHIP;100nF,10%,16V,X7R,1005	1	SNA		C53	2203-000438	C-CER,CHIP;1nF,10%,50V,X7R,TP,1005	1	SA	
C36	2203-006336	C-CER,CHIP;10000nF,10%,25V,X5R,3216	1	SA		C530	2203-006048	C-CER,CHIP;100nF,10%,10V,X7R,TP,100	1	SA	
C37	2203-006158	C-CER,CHIP;100nF,10%,16V,X7R,1005	1	SNA		C531	2203-006048	C-CER,CHIP;100nF,10%,10V,X7R,TP,100	1	SA	
C38	2203-006158	C-CER,CHIP;100nF,10%,16V,X7R,1005	1	SNA		C532	2203-006048	C-CER,CHIP;100nF,10%,10V,X7R,TP,100	1	SA	
C39	2203-006158	C-CER,CHIP;100nF,10%,16V,X7R,1005	1	SNA		C533	2203-006048	C-CER,CHIP;100nF,10%,10V,X7R,TP,100	1	SA	
C4	2203-006048	C-CER,CHIP;100nF,10%,10V,X7R,TP,100	1	SA		C534	2203-006048	C-CER,CHIP;100nF,10%,10V,X7R,TP,100	1	SA	
C40	2203-006158	C-CER,CHIP;100nF,10%,16V,X7R,1005	1	SNA		C535	2203-006048	C-CER,CHIP;100nF,10%,10V,X7R,TP,100	1	SA	
C401	2203-006048	C-CER,CHIP;100nF,10%,10V,X7R,TP,100	1	SA		C536	2203-006048	C-CER,CHIP;100nF,10%,10V,X7R,TP,100	1	SA	
C402	2203-006048	C-CER,CHIP;100nF,10%,10V,X7R,TP,100	1	SA		C537	2203-006048	C-CER,CHIP;100nF,10%,10V,X7R,TP,100	1	SA	
C403	2203-006399	C-CER,CHIP;1000nF,10%,6.3V,X5R,1005	1	SA		C538	2203-006048	C-CER,CHIP;100nF,10%,10V,X7R,TP,100	1	SA	
C404	2203-006048	C-CER,CHIP;100nF,10%,10V,X7R,TP,100	1	SA		C539	2203-006048	C-CER,CHIP;100nF,10%,10V,X7R,TP,100	1	SA	
C405	2203-000332	C-CER,CHIP;0.012nF,5%,50V,COG,1608	1	SA		C54	2203-000438	C-CER,CHIP;1nF,10%,50V,X7R,TP,1005	1	SA	
C406	2203-000332	C-CER,CHIP;0.012nF,5%,50V,COG,1608	1	SA		C540	2203-006048	C-CER,CHIP;100nF,10%,10V,X7R,TP,100	1	SA	
C408	2203-006048	C-CER,CHIP;100nF,10%,10V,X7R,TP,100	1	SA		C541	2203-006048	C-CER,CHIP;100nF,10%,10V,X7R,TP,100	1	SA	
C409	2203-006170	C-CER,CHIP;220nF,10%,16V,X7R,1608	1	SNA		C542	2203-006048	C-CER,CHIP;100nF,10%,10V,X7R,TP,100	1	SA	
C41	2203-001103	C-CER,CHIP;6.8nF,10%,50V,X7R,TP,160	1	SA		C543	2203-006048	C-CER,CHIP;100nF,10%,10V,X7R,TP,100	1	SA	
C410	2203-006048	C-CER,CHIP;100nF,10%,10V,X7R,TP,100	1	SA		C544	2203-006048	C-CER,CHIP;100nF,10%,10V,X7R,TP,100	1	SA	
C411	2203-007233	C-CER,CHIP;22000nF,10%,16V,X5R,TP,3	1	SA							

Exploded Views and Parts List

Loc.No	Parts No	Description / Specification	Qty	S.N.A	Remark	Loc.No	Parts No	Description / Specification	Qty	S.N.A	Remark
C976	2203-006048	C-CER,CHIP;100nF,10%,10V,X7R,TP,100	1	SA		IC74	1002-001581	IC-D/A CONVERTER;CS4353-CNZR,24,QFN	1	SNA	
C977	2203-006048	C-CER,CHIP;100nF,10%,10V,X7R,TP,100	1	SA		IC8	1003-002187	IC-MOTOR DRIVER;AM9268,SOP,42P,18x7	1	SA	
C978	2203-006048	C-CER,CHIP;100nF,10%,10V,X7R,TP,100	1	SA		IC801	AK97-03472F	ASSY MICOM-FLASH;BD-C6900/XER,MAIN	1	SNA	
C979	2203-006048	C-CER,CHIP;100nF,10%,10V,X7R,TP,100	1	SA		IC9	1003-002188	IC-MOTOR DRIVER;AM9858,SOP,28P,18x7	1	SNA	
C980	2203-006048	C-CER,CHIP;100nF,10%,10V,X7R,TP,100	1	SA		IC901	1103-001398	IC-EEPROM;24C02,2Kbit,256Kx8,SOIC,8	1	SA	
C981	2203-006048	C-CER,CHIP;100nF,10%,10V,X7R,TP,100	1	SA		IC902	AK97-03472A	ASSY MICOM;BD-C6900/XAA,MAIN ASSY,A	1	SNA	
C982	2203-006048	C-CER,CHIP;100nF,10%,10V,X7R,TP,100	1	SA		IC903	1203-001212	IC-VOL. DETECTOR;7029,SOT-89,3P,-,P	1	SA	
C983	2203-006048	C-CER,CHIP;100nF,10%,10V,X7R,TP,100	1	SA		IC904	1103-001385	IC-EEPROM;AT24C256,256Kbit,32Kx8,SO	1	SA	
C984	2203-006048	C-CER,CHIP;100nF,10%,10V,X7R,TP,100	1	SA		L101	2703-003559	INDUCTOR-SMD;4.7uH,20%,8080	1	SNA	
C985	2203-006048	C-CER,CHIP;100nF,10%,10V,X7R,TP,100	1	SA		L103	2703-001873	INDUCTOR-SMD;4.7uH,20%,6060	1	SA	
C986	2203-006048	C-CER,CHIP;100nF,10%,10V,X7R,TP,100	1	SA		L104	2703-003559	INDUCTOR-SMD;4.7uH,20%,8080	1	SNA	
C987	2203-006048	C-CER,CHIP;100nF,10%,10V,X7R,TP,100	1	SA		L202	2703-000166	INDUCTOR-SMD;2.7uH,5%,3225	1	SA	
C988	2203-006474	C-CER,CHIP;2200nF,20%,6.3V,X5R,201	1	SA		L205	2703-000166	INDUCTOR-SMD;2.7uH,5%,3225	1	SA	
C989	2203-006474	C-CER,CHIP;2200nF,20%,6.3V,X5R,201	1	SA		L206	2703-000166	INDUCTOR-SMD;2.7uH,5%,3225	1	SA	
C990	2203-006474	C-CER,CHIP;2200nF,20%,6.3V,X5R,201	1	SA		L302	2703-000402	INDUCTOR-SMD;1uH,20%,3225	1	SNA	
C991	2203-006048	C-CER,CHIP;100nF,10%,10V,X7R,TP,100	1	SA		L303	2703-000402	INDUCTOR-SMD;1uH,20%,3225	1	SNA	
C992	2203-006048	C-CER,CHIP;100nF,10%,10V,X7R,TP,100	1	SA		L305	2704-000011	INDUCTOR-SMD-ARRAY;90ohm,50V,330mA,	1	SA	
C993	2203-006048	C-CER,CHIP;100nF,10%,10V,X7R,TP,100	1	SA		MICOM	AK09-00204A	IC MICOM;MC80F048,MC80F048,64,8MH	1	SA	
C994	2203-006048	C-CER,CHIP;100nF,10%,10V,X7R,TP,100	1	SA		OP201	3707-001094	CONNECTOR-OPTICAL;ANGLE-TX	1	SA	
C995	2203-006048	C-CER,CHIP;100nF,10%,10V,X7R,TP,100	1	SA		P1	1404-001328	THERMISTOR-NTC;10Kohm,0A,3370K,0mW	1	SNA	
C996	2203-006048	C-CER,CHIP;100nF,10%,10V,X7R,TP,100	1	SA		PCB	AK41-00967A	PCB MAIN;BD-C6900,FR-4,4.0,1.2T,16	1	SNA	
C997	2203-006048	C-CER,CHIP;100nF,10%,10V,X7R,TP,100	1	SA		Q1	0501-000546	TR-SMALL SIGNAL;KSA1298,PNP,200mW,S	1	SNA	
C998	2203-006048	C-CER,CHIP;100nF,10%,10V,X7R,TP,100	1	SA		Q103	0501-000457	TR-SMALL SIGNAL;MMBT2222A/KST2222A,	1	SA	
C999	2203-006048	C-CER,CHIP;100nF,10%,10V,X7R,TP,100	1	SA		Q104	0505-001344	FET-SILICON;FDN360P,P,-30V,-2A,0.08	1	SNA	
CN1	3708-002603	CONNECTOR-FPC/FPC/PIC;22P,1mm,SMD-S	1	SNA		Q105	0504-000156	TR-DIGITAL;KSR2103,PNP,200MW,22K/22	1	SA	
CN101	3710-002369	SOCKET-BOARD TO CABLE;11P,2R,1.25mm	1	SNA		Q106	0504-000156	TR-DIGITAL;KSR2103,PNP,200MW,22K/22	1	SA	
CN2	3708-001935	CONNECTOR-FPC/FPC/PIC;40P,0.5mm,SMD	1	SNA		Q107	0501-000457	TR-SMALL SIGNAL;MMBT2222A/KST2222A,	1	SA	
CN201	3722-002696	JACK-PIN;6P,Silver/Nickel,RED,WH,B	1	SA		Q108	0504-000126	TR-DIGITAL;KSR1101,NPN,200mW,4.7K/4	1	SA	
CN302	3708-002140	CONNECTOR-FPC/FPC/PIC;5P,1mm,SMD-S,	1	SNA		Q109	0501-000457	TR-SMALL SIGNAL;MMBT2222A/KST2222A,	1	SA	
CN303	3722-003017	JACK-MODULAR;8P/8C,No,ANGLE,W/O,AU,	1	SNA		Q110	0501-000457	TR-SMALL SIGNAL;MMBT2222A/KST2222A,	1	SA	
CN401	3701-001293	CONNECTOR-HDMI;19P,2R,FEMALE,SMD-A,	1	SA		Q111	0505-002386	FET-SILICON;AO3415AL,P,-20V,-4A,0.0	1	SA	
CN712	3722-002769	JACK-PIN;2P,Silver/Nickel,Red/White	1	SA		Q2	0501-000465	TR-SMALL SIGNAL;MMBT3904,NPN,350mW,	1	SA	
CN716	3722-002783	JACK-PIN;6P,Silver/Nickel,Rx2,Br,G,	1	SA		Q202	0501-000457	TR-SMALL SIGNAL;MMBT2222A/KST2222A,	1	SA	
CN901	3708-002603	CONNECTOR-FPC/FPC/PIC;22P,1mm,SMD-S	1	SNA		Q203	0505-002386	FET-SILICON;AO3415AL,P,-20V,-4A,0.0	1	SA	
D101	0401-001099	DIODE-SWITCHING;1N4148WS,75V,150mA,	1	SNA		Q3	0501-000465	TR-SMALL SIGNAL;MMBT3904,NPN,350mW,	1	SA	
D102	0401-001099	DIODE-SWITCHING;1N4148WS,75V,150mA,	1	SNA		Q4	0501-000465	TR-SMALL SIGNAL;MMBT3904,NPN,350mW,	1	SA	
D401	0401-000008	DIODE-SWITCHING;DAN217,80V,100MA,SO	1	SA		Q5	0504-000126	TR-DIGITAL;KSR1101,NPN,200mW,4.7K/4	1	SA	
D901	0406-001239	DIODE-TVS;RClamp0502B,6/-V,125W,S	1	SA		Q501	0505-000110	FET-SILICON;2N7002,N,60V,115mA,7.5o	1	SA	
D902	0401-001099	DIODE-SWITCHING;1N4148WS,75V,150mA,	1	SNA		Q502	0504-000152	TR-DIGITAL;KSR2101,PNP,200mW,4.7K/4	1	SA	
D903	0401-001099	DIODE-SWITCHING;1N4148WS,75V,150mA,	1	SNA		Q503	0504-000129	TR-DIGITAL;KSR1104,NPN,200mW,4.7K/4	1	SA	
FLASH	1107-001868	IC-NAND FLASH;KFG8GH64M-A1B6,1GByt	1	SNA		R1	2007-000087	R-CHIP;6.8Kohm,5%,1/10W,TP,1608	1	SNA	
IC10	AK97-04130A	ASSY MICOM-RACTOR;BD-C6900/XAA,RAPT	1	SNA		R100	2007-000098	R-CHIP;56Kohm,5%,1/10W,TP,1608	1	SNA	
IC101	1203-006012	IC-DC/DC CONVERTER;MP8725EL,QFN14,1	1	SA		R1001	2007-000140	R-CHIP;1Kohm,5%,1/16W,TP,1005	1	SNA	
IC102	1203-006133	IC-POSI.ADJ.UST REG.;AP1117D-25-GZ-1	1	SA		R1002	2007-000140	R-CHIP;1Kohm,5%,1/16W,TP,1005	1	SNA	
IC103	1203-006104	IC-DC/DC CONVERTER;MP8707EN,SOIC8E,	1	SA		R1006	2007-000143	R-CHIP;4.7Kohm,5%,1/16W,TP,1005	1	SNA	
IC104	1203-003571	IC-POSI.FIXED REG.;MM1701CHBE,HSOP,	1	SA		R1007	2007-000143	R-CHIP;4.7Kohm,5%,1/16W,TP,1005	1	SNA	
IC105	1203-001815	IC-POSI.FIXED REG.;78M09,TO-252,3P,	1	SA		R1008	2007-001292	R-CHIP;33ohm,5%,1/16W,TP,1005	1	SNA	
IC107	1203-006104	IC-DC/DC CONVERTER;MP8707EN,SOIC8E,	1	SA		R1009	2007-007156	R-CHIP;1ohm,5%,1/16W,TP,1005	1	SNA	
IC201	1204-003140	IC-ENCODER/DECODER;SDP93,FCPBGAH,73	1	SA		R101	2007-000097	R-CHIP;47Kohm,5%,1/10W,TP,1608	1	SA	
IC201H	AK62-00032A	HEAT SINK-ES;BD-C6900,A6063,Grease+	1	SNA		R1010	2007-007156	R-CHIP;1ohm,5%,1/16W,TP,1005	1	SNA	
IC202	1002-001581	IC-D/A CONVERTER;CS4353-CNZR,24,QFN	1	SNA		R1012	2007-007156	R-CHIP;1ohm,5%,1/16W,TP,1005	1	SNA	
IC203	1201-003013	IC-VIDEO AMP;MM1797EVBE,TSOP-16B,16	1	SNA		R1013	2007-000033	R-CHIP;0ohm,5%,1/4W,TP,3216	1	SNA	
IC301	1203-006067	IC-POWER SUPERVISOR;TPS2553DBVR,SOT	1	SNA		R1014	2007-000033	R-CHIP;0ohm,5%,1/4W,TP,3216	1	SNA	
IC302	1205-003834	IC-ETHERNET CONTROLLER;RTL8201E-VC-	1	SA		R1015	2007-000143	R-CHIP;4.7Kohm,5%,1/16W,TP,1005	1	SNA	
IC4	1001-001305	IC-ANALOG SWITCH;74HC4066PW,TSSOP,1	1	SA		R1016	2007-000033	R-CHIP;0ohm,5%,1/4W,TP,3216	1	SNA	
IC401	1203-006067	IC-POWER SUPERVISOR;TPS2553DBVR,SOT	1	SNA		R1017	2007-000033	R-CHIP;0ohm,5%,1/4W,TP,3216	1	SNA	
IC501	1105-002066	IC-DRAM;K4B1G1646E-HCH9,DDR3 SDRAM,	1	SNA		R1018	2007-000033	R-CHIP;0ohm,5%,1/4W,TP,3216	1	SNA	
IC502	1105-002066	IC-DRAM;K4B1G1646E-HCH9,DDR3 SDRAM,	1	SNA		R1019	2007-000033	R-CHIP;0ohm,5%,1/4W,TP,3216	1	SNA	
IC503	1105-002066	IC-DRAM;K4B1G1646E-HCH9,DDR3 SDRAM,	1	SNA		R107	2007-000140	R-CHIP;1Kohm,5%,1/16W,TP,1005	1	SNA	
IC504	1105-002066	IC-DRAM;K4B1G1646E-HCH9,DDR3 SDRAM,	1	SNA		R108	2007-000140	R-CHIP;1Kohm,5%,1/16W,TP,1005	1	SNA	
IC6	1201-000166	IC-OP AMP;LM358,SOP,ST,8P,150MIL,DU	1	SA		R109	2007-000052	R-CHIP;10Kohm,1%,1/10W,TP,1608	1	SNA	
IC71	1002-001581	IC-D/A CONVERTER;CS4353-CNZR,24,QFN	1	SNA		R11	2007-000162	R-CHIP;100Kohm,5%,1/16W,TP,1005	1	SNA	
IC72	1002-001581	IC-D/A CONVERTER;CS4353-CNZR,24,QFN	1	SNA		R110	2007-000052	R-CHIP;10Kohm,1%,1/10W,TP,1608	1	SNA	
IC73	1002-001581	IC-D/A CONVERTER;CS4353-CNZR,24,QFN	1	SNA							

Loc.No	Parts No	Description / Specification	Qty	S.N.A	Remark	Loc.No	Parts No	Description / Specification	Qty	S.N.A	Remark
R1101	2007-002437	R-CHIP;2ohm,5%,1/10W,TP,1608	1	SNA		R222	2007-000162	R-CHIP;100Kohm,5%,1/16W,TP,1005	1	SNA	
R1102	2007-000141	R-CHIP;2.2Kohm,5%,1/16W,TP,1005	1	SNA		R223	2007-000157	R-CHIP;47Kohm,5%,1/16W,TP,1005	1	SNA	
R1103	2007-000141	R-CHIP;2.2Kohm,5%,1/16W,TP,1005	1	SNA		R224	2007-008015	R-CHIP;75ohm,1%,1/16W,TP,1005	1	SNA	
R1104	2007-000141	R-CHIP;2.2Kohm,5%,1/16W,TP,1005	1	SNA		R226	2007-008015	R-CHIP;75ohm,1%,1/16W,TP,1005	1	SNA	
R1105	2007-007156	R-CHIP;1ohm,5%,1/16W,TP,1005	1	SNA		R228	2007-000143	R-CHIP;4.7Kohm,5%,1/16W,TP,1005	1	SNA	
R1106	2007-007156	R-CHIP;1ohm,5%,1/16W,TP,1005	1	SNA		R229	2007-000143	R-CHIP;4.7Kohm,5%,1/16W,TP,1005	1	SNA	
R1107	2007-007156	R-CHIP;1ohm,5%,1/16W,TP,1005	1	SNA		R230	2007-000148	R-CHIP;10Kohm,5%,1/16W,TP,1005	1	SNA	
R1108	2007-000143	R-CHIP;4.7Kohm,5%,1/16W,TP,1005	1	SNA		R231	2007-007441	R-CHIP;562ohm,1%,1/10W,TP,1608	1	SNA	
R1109	2007-001292	R-CHIP;33ohm,5%,1/16W,TP,1005	1	SNA		R232	2007-007441	R-CHIP;562ohm,1%,1/10W,TP,1608	1	SNA	
R111	2007-001175	R-CHIP;8.2Kohm,1%,1/10W,TP,1608	1	SA		R234	2007-008015	R-CHIP;75ohm,1%,1/16W,TP,1005	1	SNA	
R112	2007-001175	R-CHIP;8.2Kohm,1%,1/10W,TP,1608	1	SA		R235	2007-008015	R-CHIP;75ohm,1%,1/16W,TP,1005	1	SNA	
R115	2007-001068	R-CHIP;6.8Kohm,1%,1/10W,TP,1608	1	SA		R236	2007-008015	R-CHIP;75ohm,1%,1/16W,TP,1005	1	SNA	
R120	2007-001101	R-CHIP;62ohm,5%,1/10W,TP,1608	1	SA		R237	2007-008015	R-CHIP;75ohm,1%,1/16W,TP,1005	1	SNA	
R127	2007-007156	R-CHIP;1ohm,5%,1/16W,TP,1005	1	SNA		R238	2007-000148	R-CHIP;10Kohm,5%,1/16W,TP,1005	1	SNA	
R130	2007-000140	R-CHIP;1Kohm,5%,1/16W,TP,1005	1	SNA		R239	2007-000148	R-CHIP;10Kohm,5%,1/16W,TP,1005	1	SNA	
R132	2007-000162	R-CHIP;100Kohm,5%,1/16W,TP,1005	1	SNA		R24	2007-007334	R-CHIP;200Kohm,1%,1/16W,TP,1005	1	SNA	
R133	2007-000157	R-CHIP;47Kohm,5%,1/16W,TP,1005	1	SNA		R255	2007-007517	R-CHIP;240ohm,1%,1/16W,TP,1005	1	SNA	
R134	2007-000140	R-CHIP;1Kohm,5%,1/16W,TP,1005	1	SNA		R256	2007-008175	R-CHIP;330ohm,1%,1/16W,TP,1005	1	SNA	
R137	2007-001101	R-CHIP;62ohm,5%,1/10W,TP,1608	1	SA		R28	2007-000138	R-CHIP;100ohm,5%,1/16W,TP,1005	1	SNA	
R138	2007-000141	R-CHIP;2.2Kohm,5%,1/16W,TP,1005	1	SNA		R29	2007-000695	R-CHIP;3.3ohm,5%,1/10W,TP,1608	1	SNA	
R140	2007-007651	R-CHIP;9.1Kohm,1%,1/10W,TP,1608	1	SA		R297	2007-009853	R-CHIP;1.6Kohm,1%,1/16W,TP,1005	1	SNA	
R141	2007-000092	R-CHIP;15Kohm,5%,1/10W,TP,1608	1	SA		R30	2007-000695	R-CHIP;3.3ohm,5%,1/10W,TP,1608	1	SNA	
R142	2007-007312	R-CHIP;20Kohm,1%,1/16W,TP,1005	1	SA		R301	2007-001002	R-CHIP;510ohm,5%,1/10W,TP,1608	1	SA	
R143	2007-000141	R-CHIP;2.2Kohm,5%,1/16W,TP,1005	1	SNA		R302	2007-001002	R-CHIP;510ohm,5%,1/10W,TP,1608	1	SA	
R144	2007-001007	R-CHIP;51Kohm,1%,1/10W,TP,1608	1	SA		R303	2007-000143	R-CHIP;4.7Kohm,5%,1/16W,TP,1005	1	SNA	
R145	2007-000821	R-CHIP;390ohm,1%,1/10W,TP,1608	1	SA		R304	2007-000143	R-CHIP;4.7Kohm,5%,1/16W,TP,1005	1	SNA	
R146	2007-000096	R-CHIP;30Kohm,5%,1/10W,TP,1608	1	SA		R305	2007-000143	R-CHIP;4.7Kohm,5%,1/16W,TP,1005	1	SNA	
R147	2007-000140	R-CHIP;1Kohm,5%,1/16W,TP,1005	1	SNA		R31	2007-000695	R-CHIP;3.3ohm,5%,1/10W,TP,1608	1	SNA	
R1501	2007-000143	R-CHIP;4.7Kohm,5%,1/16W,TP,1005	1	SNA		R318	2007-000143	R-CHIP;4.7Kohm,5%,1/16W,TP,1005	1	SNA	
R155	2007-000140	R-CHIP;1Kohm,5%,1/16W,TP,1005	1	SNA		R319	2007-000143	R-CHIP;4.7Kohm,5%,1/16W,TP,1005	1	SNA	
R159	2007-000140	R-CHIP;1Kohm,5%,1/16W,TP,1005	1	SNA		R32	2007-002425	R-CHIP;1ohm,5%,1/10W,TP,1608	1	SNA	
R16	2007-000141	R-CHIP;2.2Kohm,5%,1/16W,TP,1005	1	SNA		R320	2007-000143	R-CHIP;4.7Kohm,5%,1/16W,TP,1005	1	SNA	
R160	2007-000140	R-CHIP;1Kohm,5%,1/16W,TP,1005	1	SNA		R327	2007-007797	R-CHIP;44.2ohm,1%,1/10W,TP,1608	1	SA	
R162	2007-000162	R-CHIP;100Kohm,5%,1/16W,TP,1005	1	SNA		R328	2007-007797	R-CHIP;44.2ohm,1%,1/10W,TP,1608	1	SA	
R163	2007-000154	R-CHIP;24Kohm,5%,1/16W,TP,1005	1	SA		R33	2007-000982	R-CHIP;5.6Kohm,5%,1/16W,TP,1005	1	SA	
R167	2007-000939	R-CHIP;47Kohm,1%,1/10W,TP,1608	1	SA		R331	2007-007156	R-CHIP;1ohm,5%,1/16W,TP,1005	1	SNA	
R168	2007-000939	R-CHIP;47Kohm,1%,1/10W,TP,1608	1	SA		R336	2007-000078	R-CHIP;1Kohm,5%,1/10W,TP,1608	1	SA	
R169	2007-000162	R-CHIP;100Kohm,5%,1/16W,TP,1005	1	SNA		R337	2007-001292	R-CHIP;33ohm,5%,1/16W,TP,1005	1	SNA	
R17	2007-001325	R-CHIP;3.3Kohm,5%,1/16W,TP,1005	1	SNA		R338	2007-001292	R-CHIP;33ohm,5%,1/16W,TP,1005	1	SNA	
R170	2007-007549	R-CHIP;4.99Kohm,1%,1/10W,TP,1608	1	SNA		R339	2007-001292	R-CHIP;33ohm,5%,1/16W,TP,1005	1	SNA	
R171	2007-000979	R-CHIP;5.6Kohm,1%,1/10W,TP,1608	1	SA		R34	2007-000982	R-CHIP;5.6Kohm,5%,1/16W,TP,1005	1	SA	
R173	2007-000708	R-CHIP;3.9Kohm,1%,1/10W,TP,1608	1	SNA		R340	2007-001292	R-CHIP;33ohm,5%,1/16W,TP,1005	1	SNA	
R174	2007-000929	R-CHIP;470ohm,1%,1/10W,TP,1608	1	SNA		R342	2007-001307	R-CHIP;180ohm,5%,1/16W,TP,1005	1	SNA	
R175	2007-000052	R-CHIP;10Kohm,1%,1/10W,TP,1608	1	SNA		R343	2007-001292	R-CHIP;33ohm,5%,1/16W,TP,1005	1	SNA	
R177	2007-001101	R-CHIP;62ohm,5%,1/10W,TP,1608	1	SA		R346	2007-001292	R-CHIP;33ohm,5%,1/16W,TP,1005	1	SNA	
R181	2007-000143	R-CHIP;4.7Kohm,5%,1/16W,TP,1005	1	SNA		R347	2007-001292	R-CHIP;33ohm,5%,1/16W,TP,1005	1	SNA	
R201	2007-001292	R-CHIP;33ohm,5%,1/16W,TP,1005	1	SNA		R348	2007-001292	R-CHIP;33ohm,5%,1/16W,TP,1005	1	SNA	
R202	2007-001292	R-CHIP;33ohm,5%,1/16W,TP,1005	1	SNA		R349	2007-001292	R-CHIP;33ohm,5%,1/16W,TP,1005	1	SNA	
R203	2007-001292	R-CHIP;33ohm,5%,1/16W,TP,1005	1	SNA		R35	2007-000084	R-CHIP;4.7Kohm,5%,1/10W,TP,1608	1	SA	
R204	2007-001292	R-CHIP;33ohm,5%,1/16W,TP,1005	1	SNA		R350	2007-001292	R-CHIP;33ohm,5%,1/16W,TP,1005	1	SNA	
R205	2007-000174	R-CHIP;47ohm,5%,1/16W,TP,1005	1	SNA		R351	2007-001292	R-CHIP;33ohm,5%,1/16W,TP,1005	1	SNA	
R206	2007-001292	R-CHIP;33ohm,5%,1/16W,TP,1005	1	SNA		R352	2007-001292	R-CHIP;33ohm,5%,1/16W,TP,1005	1	SNA	
R207	2007-001292	R-CHIP;33ohm,5%,1/16W,TP,1005	1	SNA		R353	2007-001292	R-CHIP;33ohm,5%,1/16W,TP,1005	1	SNA	
R208	2007-001292	R-CHIP;33ohm,5%,1/16W,TP,1005	1	SNA		R354	2007-000242	R-CHIP;1.5Kohm,5%,1/16W,TP,1005	1	SNA	
R209	2007-002970	R-CHIP;56ohm,5%,1/16W,TP,1005	1	SA		R355	2007-007617	R-CHIP;2.49Kohm,1%,1/10W,TP,1608	1	SA	
R210	2007-001292	R-CHIP;33ohm,5%,1/16W,TP,1005	1	SNA		R36	2007-000134	R-CHIP;33Kohm,5%,1/10W,TP,1608	1	SNA	
R211	2007-001292	R-CHIP;33ohm,5%,1/16W,TP,1005	1	SNA		R361	2007-001292	R-CHIP;33ohm,5%,1/16W,TP,1005	1	SNA	
R212	2007-000138	R-CHIP;100ohm,5%,1/16W,TP,1005	1	SNA		R362	2007-001292	R-CHIP;33ohm,5%,1/16W,TP,1005	1	SNA	
R215	2007-007317	R-CHIP;2.2Kohm,1%,1/16W,TP,1005	1	SA		R363	2007-001292	R-CHIP;33ohm,5%,1/16W,TP,1005	1	SNA	
R216	2007-007317	R-CHIP;2.2Kohm,1%,1/16W,TP,1005	1	SA		R368	2007-007156	R-CHIP;1ohm,5%,1/16W,TP,1005	1	SNA	
R217	2007-000140	R-CHIP;1Kohm,5%,1/16W,TP,1005	1	SNA		R37	2007-000091	R-CHIP;12Kohm,5%,1/10W,TP,1608	1	SNA	
R218	2007-008015	R-CHIP;75ohm,1%,1/16W,TP,1005	1	SNA		R370	2007-000109	R-CHIP;1Mohm,5%,1/10W,TP,1608	1	SNA	
R220	2007-008015	R-CHIP;75ohm,1%,1/16W,TP,1005	1	SNA		R38	2007-000091	R-CHIP;12Kohm,5%,1/10W,TP,1608	1	SNA	
						R39	2007-000091	R-CHIP;12Kohm,5%,1/10W,TP,1608	1	SNA	

Exploded Views and Parts List

Loc.No	Parts No	Description / Specification	Qty	S.N.A	Remark	Loc.No	Parts No	Description / Specification	Qty	S.N.A	Remark
R4	2007-000138	R-CHIP;100ohm,5%,1/16W,TP,1005	1	SNA		R601	2007-007156	R-CHIP;1ohm,5%,1/16W,TP,1005	1	SNA	
R40	2007-000052	R-CHIP;10Kohm,1%,1/10W,TP,1608	1	SNA		R602	2007-007156	R-CHIP;1ohm,5%,1/16W,TP,1005	1	SNA	
R402	2007-008263	R-CHIP;3Kohm,1%,1/16W,TP,1005	1	SA		R603	2007-007156	R-CHIP;1ohm,5%,1/16W,TP,1005	1	SNA	
R415	2007-000137	R-CHIP;2Kohm,5%,1/16W,TP,1005	1	SNA		R604	2007-007156	R-CHIP;1ohm,5%,1/16W,TP,1005	1	SNA	
R416	2007-000137	R-CHIP;2Kohm,5%,1/16W,TP,1005	1	SNA		R605	2007-007156	R-CHIP;1ohm,5%,1/16W,TP,1005	1	SNA	
R42	2007-000695	R-CHIP;3.3ohm,5%,1/10W,TP,1608	1	SNA		R606	2007-007156	R-CHIP;1ohm,5%,1/16W,TP,1005	1	SNA	
R421	2007-000159	R-CHIP;56Kohm,5%,1/16W,TP,1005	1	SNA		R620	2007-007156	R-CHIP;1ohm,5%,1/16W,TP,1005	1	SNA	
R422	2007-000155	R-CHIP;27Kohm,5%,1/16W,TP,1005	1	SNA		R621	2007-007156	R-CHIP;1ohm,5%,1/16W,TP,1005	1	SNA	
R423	2007-000108	R-CHIP;510Kohm,5%,1/10W,TP,1608	1	SA		R622	2007-007156	R-CHIP;1ohm,5%,1/16W,TP,1005	1	SNA	
R424	2007-000149	R-CHIP;12Kohm,5%,1/16W,TP,1005	1	SA		R623	2007-007156	R-CHIP;1ohm,5%,1/16W,TP,1005	1	SNA	
R425	2007-001329	R-CHIP;7.5Kohm,5%,1/16W,TP,1005	1	SA		R624	2007-000143	R-CHIP;4.7Kohm,5%,1/16W,TP,1005	1	SNA	
R43	2007-000695	R-CHIP;3.3ohm,5%,1/10W,TP,1608	1	SNA		R625	2007-007156	R-CHIP;1ohm,5%,1/16W,TP,1005	1	SNA	
R431	2007-008137	R-CHIP;24Kohm,1%,1/16W,TP,1005	1	SNA		R627	2007-007156	R-CHIP;1ohm,5%,1/16W,TP,1005	1	SNA	
R432	2007-000148	R-CHIP;10Kohm,5%,1/16W,TP,1005	1	SNA		R628	2007-007156	R-CHIP;1ohm,5%,1/16W,TP,1005	1	SNA	
R433	2007-000084	R-CHIP;4.7Kohm,5%,1/10W,TP,1608	1	SA		R629	2007-007156	R-CHIP;1ohm,5%,1/16W,TP,1005	1	SNA	
R47	2007-000695	R-CHIP;3.3ohm,5%,1/10W,TP,1608	1	SNA		R63	2007-000115	R-CHIP;82ohm,5%,1/10W,TP,1608	1	SA	
R48	2007-000695	R-CHIP;3.3ohm,5%,1/10W,TP,1608	1	SNA		R630	2007-000148	R-CHIP;10Kohm,5%,1/16W,TP,1005	1	SNA	
R5	2007-000157	R-CHIP;47Kohm,5%,1/16W,TP,1005	1	SNA		R64	2007-000115	R-CHIP;82ohm,5%,1/10W,TP,1608	1	SA	
R501	2007-000148	R-CHIP;10Kohm,5%,1/16W,TP,1005	1	SNA		R65	2007-001313	R-CHIP;330ohm,5%,1/16W,TP,1005	1	SNA	
R502	2007-000148	R-CHIP;10Kohm,5%,1/16W,TP,1005	1	SNA		R66	2007-000072	R-CHIP;47ohm,5%,1/10W,TP,1608	1	SNA	
R503	2007-000148	R-CHIP;10Kohm,5%,1/16W,TP,1005	1	SNA		R67	2007-000072	R-CHIP;47ohm,5%,1/10W,TP,1608	1	SNA	
R504	2007-007318	R-CHIP;1Kohm,1%,1/16W,TP,1005	1	SNA		R68	2007-001313	R-CHIP;330ohm,5%,1/16W,TP,1005	1	SNA	
R505	2007-007318	R-CHIP;1Kohm,1%,1/16W,TP,1005	1	SNA		R69	2007-000072	R-CHIP;47ohm,5%,1/10W,TP,1608	1	SNA	
R506	2007-000148	R-CHIP;10Kohm,5%,1/16W,TP,1005	1	SNA		R7	2007-000157	R-CHIP;47Kohm,5%,1/16W,TP,1005	1	SNA	
R507	2007-000148	R-CHIP;10Kohm,5%,1/16W,TP,1005	1	SNA		R70	2007-000072	R-CHIP;47ohm,5%,1/10W,TP,1608	1	SNA	
R508	2007-000148	R-CHIP;10Kohm,5%,1/16W,TP,1005	1	SNA		R703	2007-000842	R-CHIP;3Kohm,1%,1/10W,TP,1608	1	SA	
R509	2007-000148	R-CHIP;10Kohm,5%,1/16W,TP,1005	1	SNA		R704	2007-000842	R-CHIP;3Kohm,1%,1/10W,TP,1608	1	SA	
R51	2007-000695	R-CHIP;3.3ohm,5%,1/10W,TP,1608	1	SNA		R707	2007-007156	R-CHIP;1ohm,5%,1/16W,TP,1005	1	SNA	
R510	2007-000148	R-CHIP;10Kohm,5%,1/16W,TP,1005	1	SNA		R708	2007-007156	R-CHIP;1ohm,5%,1/16W,TP,1005	1	SNA	
R512	2007-000148	R-CHIP;10Kohm,5%,1/16W,TP,1005	1	SNA		R709	2007-007156	R-CHIP;1ohm,5%,1/16W,TP,1005	1	SNA	
R513	2007-000148	R-CHIP;10Kohm,5%,1/16W,TP,1005	1	SNA		R71	2007-001313	R-CHIP;330ohm,5%,1/16W,TP,1005	1	SNA	
R514	2007-000148	R-CHIP;10Kohm,5%,1/16W,TP,1005	1	SNA		R710	2007-007156	R-CHIP;1ohm,5%,1/16W,TP,1005	1	SNA	
R515	2007-000148	R-CHIP;10Kohm,5%,1/16W,TP,1005	1	SNA		R713	2007-000148	R-CHIP;10Kohm,5%,1/16W,TP,1005	1	SNA	
R516	2007-000148	R-CHIP;10Kohm,5%,1/16W,TP,1005	1	SNA		R714	2007-000148	R-CHIP;10Kohm,5%,1/16W,TP,1005	1	SNA	
R517	2007-000148	R-CHIP;10Kohm,5%,1/16W,TP,1005	1	SNA		R715	2007-000148	R-CHIP;10Kohm,5%,1/16W,TP,1005	1	SNA	
R518	2007-000148	R-CHIP;10Kohm,5%,1/16W,TP,1005	1	SNA		R716	2007-000148	R-CHIP;10Kohm,5%,1/16W,TP,1005	1	SNA	
R519	2007-007318	R-CHIP;1Kohm,1%,1/16W,TP,1005	1	SNA		R717	2007-000148	R-CHIP;10Kohm,5%,1/16W,TP,1005	1	SNA	
R52	2007-000695	R-CHIP;3.3ohm,5%,1/10W,TP,1608	1	SNA		R718	2007-000148	R-CHIP;10Kohm,5%,1/16W,TP,1005	1	SNA	
R520	2007-007318	R-CHIP;1Kohm,1%,1/16W,TP,1005	1	SNA		R719	2007-007156	R-CHIP;1ohm,5%,1/16W,TP,1005	1	SNA	
R521	2007-000148	R-CHIP;10Kohm,5%,1/16W,TP,1005	1	SNA		R72	2007-000431	R-CHIP;16Kohm,5%,1/10W,TP,1608	1	SA	
R522	2007-007306	R-CHIP;100ohm,1%,1/16W,TP,1005	1	SNA		R723	2007-000148	R-CHIP;10Kohm,5%,1/16W,TP,1005	1	SNA	
R523	2007-007306	R-CHIP;100ohm,1%,1/16W,TP,1005	1	SNA		R724	2007-000148	R-CHIP;10Kohm,5%,1/16W,TP,1005	1	SNA	
R524	2007-007318	R-CHIP;1Kohm,1%,1/16W,TP,1005	1	SNA		R73	2007-000052	R-CHIP;10Kohm,1%,1/10W,TP,1608	1	SNA	
R525	2007-007318	R-CHIP;1Kohm,1%,1/16W,TP,1005	1	SNA		R733	2007-001292	R-CHIP;33ohm,5%,1/16W,TP,1005	1	SNA	
R526	2007-007318	R-CHIP;1Kohm,1%,1/16W,TP,1005	1	SNA		R734	2007-001292	R-CHIP;33ohm,5%,1/16W,TP,1005	1	SNA	
R527	2007-007318	R-CHIP;1Kohm,1%,1/16W,TP,1005	1	SNA		R735	2007-001292	R-CHIP;33ohm,5%,1/16W,TP,1005	1	SNA	
R528	2007-007318	R-CHIP;1Kohm,1%,1/16W,TP,1005	1	SNA		R736	2007-001292	R-CHIP;33ohm,5%,1/16W,TP,1005	1	SNA	
R529	2007-007318	R-CHIP;1Kohm,1%,1/16W,TP,1005	1	SNA		R737	2007-000143	R-CHIP;4.7Kohm,5%,1/16W,TP,1005	1	SNA	
R530	2007-007517	R-CHIP;240ohm,1%,1/16W,TP,1005	1	SNA		R738	2007-000143	R-CHIP;4.7Kohm,5%,1/16W,TP,1005	1	SNA	
R531	2007-007517	R-CHIP;240ohm,1%,1/16W,TP,1005	1	SNA		R739	2007-007441	R-CHIP;562ohm,1%,1/10W,TP,1608	1	SNA	
R532	2007-007517	R-CHIP;240ohm,1%,1/16W,TP,1005	1	SNA		R74	2007-000122	R-CHIP;1.2Kohm,5%,1/10W,TP,1608	1	SNA	
R533	2007-007517	R-CHIP;240ohm,1%,1/16W,TP,1005	1	SNA		R740	2007-007441	R-CHIP;562ohm,1%,1/10W,TP,1608	1	SNA	
R534	2007-007517	R-CHIP;240ohm,1%,1/16W,TP,1005	1	SNA		R743	2007-001292	R-CHIP;33ohm,5%,1/16W,TP,1005	1	SNA	
R535	2007-007517	R-CHIP;240ohm,1%,1/16W,TP,1005	1	SNA		R744	2007-001292	R-CHIP;33ohm,5%,1/16W,TP,1005	1	SNA	
R536	2007-007318	R-CHIP;1Kohm,1%,1/16W,TP,1005	1	SNA		R745	2007-001292	R-CHIP;33ohm,5%,1/16W,TP,1005	1	SNA	
R537	2007-007318	R-CHIP;1Kohm,1%,1/16W,TP,1005	1	SNA		R746	2007-001292	R-CHIP;33ohm,5%,1/16W,TP,1005	1	SNA	
R54	2007-000695	R-CHIP;3.3ohm,5%,1/10W,TP,1608	1	SNA		R747	2007-000143	R-CHIP;4.7Kohm,5%,1/16W,TP,1005	1	SNA	
R540	2007-001342	R-CHIP;2Mohm,5%,1/10W,TP,1608	1	SA		R748	2007-000143	R-CHIP;4.7Kohm,5%,1/16W,TP,1005	1	SNA	
R541	2007-002437	R-CHIP;2ohm,5%,1/10W,TP,1608	1	SNA		R749	2007-000143	R-CHIP;4.7Kohm,5%,1/16W,TP,1005	1	SNA	
R545	2007-000159	R-CHIP;56Kohm,5%,1/16W,TP,1005	1	SNA		R75	2007-000614	R-CHIP;24Kohm,1%,1/10W,TP,1608	1	SNA	
R56	2007-000695	R-CHIP;3.3ohm,5%,1/10W,TP,1608	1	SNA		R750	2007-007441	R-CHIP;562ohm,1%,1/10W,TP,1608	1	SNA	
R58	2007-000695	R-CHIP;3.3ohm,5%,1/10W,TP,1608	1	SNA		R751	2007-007441	R-CHIP;562ohm,1%,1/10W,TP,1608	1	SNA	
R6	2007-000157	R-CHIP;47Kohm,5%,1/16W,TP,1005	1	SNA		R76	2007-000052	R-CHIP;10Kohm,1%,1/10W,TP,1608	1	SNA	

Loc.No	Parts No	Description / Specification	Qty	S.N.A	Remark	Loc.No	Parts No	Description / Specification	Qty	S.N.A	Remark
R765	2007-000148	R-CHIP:10Kohm,5%,1/16W,TP,1005	1	SNA		R941	2007-001292	R-CHIP:33ohm,5%,1/16W,TP,1005	1	SNA	
R766	2007-000148	R-CHIP:10Kohm,5%,1/16W,TP,1005	1	SNA		R942	2007-000152	R-CHIP:20Kohm,5%,1/16W,TP,1005	1	SNA	
R767	2007-000148	R-CHIP:10Kohm,5%,1/16W,TP,1005	1	SNA		R950	2007-001292	R-CHIP:33ohm,5%,1/16W,TP,1005	1	SNA	
R768	2007-000148	R-CHIP:10Kohm,5%,1/16W,TP,1005	1	SNA		R951	2007-001292	R-CHIP:33ohm,5%,1/16W,TP,1005	1	SNA	
R77	2007-000122	R-CHIP:1.2Kohm,5%,1/10W,TP,1608	1	SNA		R952	2007-001292	R-CHIP:33ohm,5%,1/16W,TP,1005	1	SNA	
R770	2007-000143	R-CHIP:4.7Kohm,5%,1/16W,TP,1005	1	SNA		R953	2007-001292	R-CHIP:33ohm,5%,1/16W,TP,1005	1	SNA	
R771	2007-001292	R-CHIP:33ohm,5%,1/16W,TP,1005	1	SNA		R954	2007-001292	R-CHIP:33ohm,5%,1/16W,TP,1005	1	SNA	
R772	2007-001292	R-CHIP:33ohm,5%,1/16W,TP,1005	1	SNA		R955	2007-001292	R-CHIP:33ohm,5%,1/16W,TP,1005	1	SNA	
R773	2007-001292	R-CHIP:33ohm,5%,1/16W,TP,1005	1	SNA		R956	2007-001292	R-CHIP:33ohm,5%,1/16W,TP,1005	1	SNA	
R774	2007-001292	R-CHIP:33ohm,5%,1/16W,TP,1005	1	SNA		R957	2007-001292	R-CHIP:33ohm,5%,1/16W,TP,1005	1	SNA	
R775	2007-000143	R-CHIP:4.7Kohm,5%,1/16W,TP,1005	1	SNA		R958	2007-001292	R-CHIP:33ohm,5%,1/16W,TP,1005	1	SNA	
R776	2007-000143	R-CHIP:4.7Kohm,5%,1/16W,TP,1005	1	SNA		R959	2007-001292	R-CHIP:33ohm,5%,1/16W,TP,1005	1	SNA	
R777	2007-007441	R-CHIP:562ohm,1%,1/10W,TP,1608	1	SNA		R960	2007-001292	R-CHIP:33ohm,5%,1/16W,TP,1005	1	SNA	
R778	2007-007441	R-CHIP:562ohm,1%,1/10W,TP,1608	1	SNA		R961	2007-001292	R-CHIP:33ohm,5%,1/16W,TP,1005	1	SNA	
R781	2007-000143	R-CHIP:4.7Kohm,5%,1/16W,TP,1005	1	SNA		R962	2007-001292	R-CHIP:33ohm,5%,1/16W,TP,1005	1	SNA	
R782	2007-001292	R-CHIP:33ohm,5%,1/16W,TP,1005	1	SNA		R963	2007-001292	R-CHIP:33ohm,5%,1/16W,TP,1005	1	SNA	
R783	2007-001292	R-CHIP:33ohm,5%,1/16W,TP,1005	1	SNA		R964	2007-001292	R-CHIP:33ohm,5%,1/16W,TP,1005	1	SNA	
R784	2007-001292	R-CHIP:33ohm,5%,1/16W,TP,1005	1	SNA		R965	2007-001292	R-CHIP:33ohm,5%,1/16W,TP,1005	1	SNA	
R785	2007-001292	R-CHIP:33ohm,5%,1/16W,TP,1005	1	SNA		R966	2007-001292	R-CHIP:33ohm,5%,1/16W,TP,1005	1	SNA	
R786	2007-000143	R-CHIP:4.7Kohm,5%,1/16W,TP,1005	1	SNA		R967	2007-001292	R-CHIP:33ohm,5%,1/16W,TP,1005	1	SNA	
R787	2007-000143	R-CHIP:4.7Kohm,5%,1/16W,TP,1005	1	SNA		R968	2007-001292	R-CHIP:33ohm,5%,1/16W,TP,1005	1	SNA	
R788	2007-007441	R-CHIP:562ohm,1%,1/10W,TP,1608	1	SNA		R969	2007-001292	R-CHIP:33ohm,5%,1/16W,TP,1005	1	SNA	
R789	2007-007441	R-CHIP:562ohm,1%,1/10W,TP,1608	1	SNA		R970	2007-001292	R-CHIP:33ohm,5%,1/16W,TP,1005	1	SNA	
R79	2007-000831	R-CHIP:39Kohm,5%,1/16W,TP,1005	1	SA		R971	2007-001292	R-CHIP:33ohm,5%,1/16W,TP,1005	1	SNA	
R791	2007-000148	R-CHIP:10Kohm,5%,1/16W,TP,1005	1	SNA		R972	2007-001292	R-CHIP:33ohm,5%,1/16W,TP,1005	1	SNA	
R792	2007-000148	R-CHIP:10Kohm,5%,1/16W,TP,1005	1	SNA		R973	2007-001292	R-CHIP:33ohm,5%,1/16W,TP,1005	1	SNA	
R801	2007-001292	R-CHIP:33ohm,5%,1/16W,TP,1005	1	SNA		R974	2007-001292	R-CHIP:33ohm,5%,1/16W,TP,1005	1	SNA	
R803	2007-000148	R-CHIP:10Kohm,5%,1/16W,TP,1005	1	SNA		R975	2007-001292	R-CHIP:33ohm,5%,1/16W,TP,1005	1	SNA	
R805	2007-000148	R-CHIP:10Kohm,5%,1/16W,TP,1005	1	SNA		R976	2007-001292	R-CHIP:33ohm,5%,1/16W,TP,1005	1	SNA	
R808	2007-000140	R-CHIP:1Kohm,5%,1/16W,TP,1005	1	SNA		R977	2007-001292	R-CHIP:33ohm,5%,1/16W,TP,1005	1	SNA	
R821	2007-002437	R-CHIP:2ohm,5%,1/10W,TP,1608	1	SNA		R978	2007-001292	R-CHIP:33ohm,5%,1/16W,TP,1005	1	SNA	
R85	2007-000084	R-CHIP:4.7Kohm,5%,1/10W,TP,1608	1	SA		R979	2007-001292	R-CHIP:33ohm,5%,1/16W,TP,1005	1	SNA	
R86	2007-000138	R-CHIP:100ohm,5%,1/16W,TP,1005	1	SNA		R980	2007-001292	R-CHIP:33ohm,5%,1/16W,TP,1005	1	SNA	
R87	2007-000084	R-CHIP:4.7Kohm,5%,1/10W,TP,1608	1	SA		R985	2007-001292	R-CHIP:33ohm,5%,1/16W,TP,1005	1	SNA	
R89	2007-000084	R-CHIP:4.7Kohm,5%,1/10W,TP,1608	1	SA		R986	2007-001292	R-CHIP:33ohm,5%,1/16W,TP,1005	1	SNA	
R90	2007-000102	R-CHIP:100Kohm,5%,1/10W,TP,1608	1	SA		R987	2007-001292	R-CHIP:33ohm,5%,1/16W,TP,1005	1	SNA	
R902	2007-001307	R-CHIP:180ohm,5%,1/16W,TP,1005	1	SNA		R988	2007-000143	R-CHIP:4.7Kohm,5%,1/16W,TP,1005	1	SNA	
R903	2007-001307	R-CHIP:180ohm,5%,1/16W,TP,1005	1	SNA		R989	2007-000143	R-CHIP:4.7Kohm,5%,1/16W,TP,1005	1	SNA	
R904	2007-001307	R-CHIP:180ohm,5%,1/16W,TP,1005	1	SNA		RAPTOR	0903-001650	IC-MICROCONTROLLER:SA57970X03.ETQFP	1	SNA	
R905	2007-000138	R-CHIP:100ohm,5%,1/16W,TP,1005	1	SNA		SUB01	0202-001463	SOLDER-WIRE:LFC2-W3.0,-D3,99.79Snl	1.72	SNA	
R906	2007-000138	R-CHIP:100ohm,5%,1/16W,TP,1005	1	SNA		SUB02	0202-001477	SOLDER-CREAM:LST309-M.D20-45um,96.5	2.049	SNA	
R907	2007-000137	R-CHIP:2Kohm,5%,1/16W,TP,1005	1	SNA		SUB03	0202-001608	SOLDER-WIRE FLUX:LFC7-107.D0.8.99.3	0.25	SNA	
R908	2007-000138	R-CHIP:100ohm,5%,1/16W,TP,1005	1	SNA		SUB04	0204-002420	SOLVENT:1M-1000.C3H7OH.96	0.00379	SNA	
R909	2007-000152	R-CHIP:20Kohm,5%,1/16W,TP,1005	1	SNA		SUB05	0204-002607	FLUX:DF-234U,13%,14KG.Gravity 0.82	2.467	SNA	
R910	2007-000148	R-CHIP:10Kohm,5%,1/16W,TP,1005	1	SNA		VT301	1405-001192	VARISTOR:12Vdc,30A,1.6x0.8x0.55mm,T	1	SA	
R911	2007-000148	R-CHIP:10Kohm,5%,1/16W,TP,1005	1	SNA		VT302	1405-001192	VARISTOR:12Vdc,30A,1.6x0.8x0.55mm,T	1	SA	
R912	2007-000148	R-CHIP:10Kohm,5%,1/16W,TP,1005	1	SNA		VT401	1405-001192	VARISTOR:12Vdc,30A,1.6x0.8x0.55mm,T	1	SA	
R913	2007-000152	R-CHIP:20Kohm,5%,1/16W,TP,1005	1	SNA		VT402	1405-001192	VARISTOR:12Vdc,30A,1.6x0.8x0.55mm,T	1	SA	
R915	2007-000148	R-CHIP:10Kohm,5%,1/16W,TP,1005	1	SNA		VT403	1405-001192	VARISTOR:12Vdc,30A,1.6x0.8x0.55mm,T	1	SA	
R916	2007-000152	R-CHIP:20Kohm,5%,1/16W,TP,1005	1	SNA		VT404	1405-001192	VARISTOR:12Vdc,30A,1.6x0.8x0.55mm,T	1	SA	
R917	2007-000140	R-CHIP:1Kohm,5%,1/16W,TP,1005	1	SNA		VT405	1405-001192	VARISTOR:12Vdc,30A,1.6x0.8x0.55mm,T	1	SA	
R919	2007-007156	R-CHIP:1ohm,5%,1/16W,TP,1005	1	SNA		VT406	1405-001192	VARISTOR:12Vdc,30A,1.6x0.8x0.55mm,T	1	SA	
R921	2007-000143	R-CHIP:4.7Kohm,5%,1/16W,TP,1005	1	SNA		VT407	1405-001192	VARISTOR:12Vdc,30A,1.6x0.8x0.55mm,T	1	SA	
R922	2007-007156	R-CHIP:1ohm,5%,1/16W,TP,1005	1	SNA		VT408	1405-001192	VARISTOR:12Vdc,30A,1.6x0.8x0.55mm,T	1	SA	
R923	2007-000143	R-CHIP:4.7Kohm,5%,1/16W,TP,1005	1	SNA		VT409	1405-001192	VARISTOR:12Vdc,30A,1.6x0.8x0.55mm,T	1	SA	
R926	2007-000148	R-CHIP:10Kohm,5%,1/16W,TP,1005	1	SNA		VT410	1405-001192	VARISTOR:12Vdc,30A,1.6x0.8x0.55mm,T	1	SA	
R928	2007-000148	R-CHIP:10Kohm,5%,1/16W,TP,1005	1	SNA		VT411	1405-001192	VARISTOR:12Vdc,30A,1.6x0.8x0.55mm,T	1	SA	
R929	2007-000100	R-CHIP:68Kohm,5%,1/10W,TP,1608	1	SNA		VT412	1405-001192	VARISTOR:12Vdc,30A,1.6x0.8x0.55mm,T	1	SA	
R930	2007-000148	R-CHIP:10Kohm,5%,1/16W,TP,1005	1	SNA		VT601	1405-001192	VARISTOR:12Vdc,30A,1.6x0.8x0.55mm,T	1	SA	
R931	2007-000239	R-CHIP:1.5Kohm,1%,1/10W,TP,1608	1	SA		VT602	1405-001192	VARISTOR:12Vdc,30A,1.6x0.8x0.55mm,T	1	SA	
R932	2007-000148	R-CHIP:10Kohm,5%,1/16W,TP,1005	1	SNA		VT701	1405-001192	VARISTOR:12Vdc,30A,1.6x0.8x0.55mm,T	1	SA	
R933	2007-000148	R-CHIP:10Kohm,5%,1/16W,TP,1005	1	SNA		X1	2801-004655	CRYSTAL-SMD:25MHz,50ppm, SX-3,18pF,2	1	SA	
R935	2007-000152	R-CHIP:20Kohm,5%,1/16W,TP,1005	1	SNA		X301	2801-004655	CRYSTAL-SMD:25MHz,50ppm, SX-3,18pF,2	1	SA	
R936	2007-000152	R-CHIP:20Kohm,5%,1/16W,TP,1005	1	SNA							

Exploded Views and Parts List

Loc.No	Parts No	Description : Specification	Q'ty	S.N.A	Remark	Loc.No	Parts No	Description : Specification	Q'ty	S.N.A	Remark
X401	2801-004913	CRYSTAL-SMD;24MHz,10ppm,SX-1,12pF,3	1	SNA		R1S36	2001-000429	R-CARBON;1Kohm,5%,1/8W,AA,TP,1.8x3.	1	SA	
X901	2802-001164	RESONATOR-CERAMIC;8.000MHZ,±0.5%,T	1	SNA		R1S37	2001-000331	R-CARBON;12Kohm,5%,1/8W,AA,TP,1.8x3	1	SA	
XE1	BN61-03631A	BRACKET-FINGER;Creta Entry,BeCu 1/4	1	SNA		R1S38	2004-000869	R-METAL;3Kohm,1%,1/8W,AA,TP,1.8x3.2	1	SA	
	AK97-03893A	ASSY SMD;BD-C6900/XEF,MAIN ASSY,AK9	1	SNA		R1S39	2004-000433	R-METAL;1Kohm,1%,1/8W,AA,TP,1.8x3.2	1	SA	
						VA1S01	1405-000152	VARIATOR;560V,2500A,14x8.5mm,TP	1	SA	
						W101	3811-001868	WIRE-NO SHEATH CU;SnCuFe,52mm,GRY	1	SA	
						W102	3811-001868	WIRE-NO SHEATH CU;SnCuFe,52mm,GRY	1	SA	
						W103	3811-001868	WIRE-NO SHEATH CU;SnCuFe,52mm,GRY	1	SA	
						W104	3811-001868	WIRE-NO SHEATH CU;SnCuFe,52mm,GRY	1	SA	
						W105	3811-001868	WIRE-NO SHEATH CU;SnCuFe,52mm,GRY	1	SA	
						W109	3811-001868	WIRE-NO SHEATH CU;SnCuFe,52mm,GRY	1	SA	
						W111	3811-001868	WIRE-NO SHEATH CU;SnCuFe,52mm,GRY	1	SA	
						ZD1S11	0403-000720	DIODE-ZENER;MTJZJ9.1B,8.57/9.01V,500	1	SA	
							AK97-03966A	ASSY AUTO;AK94-00339B	1	SNA	
PO01A AK94-00339B	ASSY PCB SMPS;BD-C6900/XEF,ASSY PCB	1	SA			MF01A AK94-00287A	ASSY PCB FRONT;BD-C6900/XAA,ASSY PC	1	SA		
BD01	0402-000137	DIODE-RECTIFIER;1N4007,1000V,1A,DO-	1	SNA		BD1	3301-001404	BEAD-SMD;30ohm,2012,TP,15.90HM/30MH	1	SA	
BD02	0402-000137	DIODE-RECTIFIER;1N4007,1000V,1A,DO-	1	SNA		C11	2203-000257	C-CER,CHIP;10nF,10%,50V,X7R,TP,1608	1	SA	
BD03	0402-000137	DIODE-RECTIFIER;1N4007,1000V,1A,DO-	1	SNA		C12	2203-000257	C-CER,CHIP;10nF,10%,50V,X7R,TP,1608	1	SA	
BD04	0402-000137	DIODE-RECTIFIER;1N4007,1000V,1A,DO-	1	SNA		C13	2203-000257	C-CER,CHIP;10nF,10%,50V,X7R,TP,1608	1	SA	
BOND	0201-001082	ADHESIVE-TS;1603HFR-HS,YEL,1800 - 2	0.3	SNA		C14	2203-000257	C-CER,CHIP;10nF,10%,50V,X7R,TP,1608	1	SA	
C1S01	2201-000963	C-CERAMIC,DISC;1NF,20%,400V,Y5U,TP,	1	SA		C15	2203-007270	C-CER,CHIP;10000nF,10%,10V,X5R,TP,1	1	SNA	
C1S02	2201-000963	C-CERAMIC,DISC;1NF,20%,400V,Y5U,TP,	1	SA		C16	2203-007270	C-CER,CHIP;10000nF,10%,10V,X5R,TP,1	1	SNA	
C1S03	2301-001683	C-FILM,MPEF;100nF,20%,275V,BK,12.5x	1	SA		C2	2203-007270	C-CER,CHIP;10000nF,10%,10V,X5R,TP,1	1	SNA	
C1S04	2301-001683	C-FILM,MPEF;100nF,20%,275V,BK,12.5x	1	SA		C3	2203-006333	C-CER,CHIP;10000nF,20%,16V,X5R,TP,3	1	SNA	
C1S05B	2401-004674	C-AL;68uF,20%,450V,BK,18x25,7.5mm	1	SA		C4	2203-000440	C-CER,CHIP;1nF,10%,50V,X7R,1608	1	SA	
C1S06	2201-000987	C-CERAMIC,DISC;2.2nF,20%,400V,Y5U,T	1	SA		C5	2203-000257	C-CER,CHIP;10nF,10%,50V,X7R,TP,1608	1	SA	
C1S10	2305-000382	C-FILM,LEAD-PEF;4.7nF,5%,400V,TP,-,	1	SA		C9	2203-000257	C-CER,CHIP;10nF,10%,50V,X7R,TP,1608	1	SA	
C1S12	2401-001583	C-AL;47uF,20%,50V,WT,TP,6.3x11,5	1	SA		CNLED	3708-001618	CONNECTOR-FPC/FFC/PIC;5P,1mm,SMD-A,	1	SA	
C1S14	2401-001340	C-AL;0.47uF,20%,50V,WT,TP,5X11,5	1	SA		CNTK	3708-001618	CONNECTOR-FPC/FFC/PIC;5P,1mm,SMD-A,	1	SA	
C1S15	2301-001679	C-FILM,PEF;2.2nF,5%,50V,TP,5.8x3x7mm	1	SA		CNUSB	3708-002161	CONNECTOR-FPC/FFC/PIC;5P,1mm,ANGLE,	1	SA	
C1S30	2401-001583	C-AL;47uF,20%,50V,WT,TP,6.3x11,5	1	SA		CNV1	3708-001762	CONNECTOR-FPC/FFC/PIC;22P,1mm,ANGLE	1	SA	
C1S31	2401-003499	C-AL;330uF,20%,16V,LZ,TP,8x11.5mm,5	1	SA		D1	0403-001779	DIODE-ZENER;MMSZ5234BT1G,5.89/6.51V	1	SA	
C1S32	2301-000383	C-FILM,LEAD-PEF;10nF,5%,50V,TP,6x7x	1	SA		D2	0403-001779	DIODE-ZENER;MMSZ5234BT1G,5.89/6.51V	1	SA	
C1S33	2401-003139	C-AL;1000uF,20%,25V,WT,TP,10*20,5mm	1	SA		IC1	1003-002176	IC-VFD;MC3401,LQFP,44P,10x10mm,-40m	1	SA	
C1S33A	2401-003139	C-AL;1000uF,20%,25V,WT,TP,10*20,5mm	1	SA		IR	0609-001202	MODULE REMOCON;HORIZONTAL,12.4mm,TR	1	SA	
C1S35	2401-003439	C-AL;1500uF,20%,6.3V,LZ,TP,10X20mm,	1	SA		LED2	0601-002733	LED;SMD(TOP VIEW),WHT,3.5x2.8x1.8mm	1	SA	
C1S37	2401-003480	C-AL;1000uF,20%,10V,LZ,TP,10X16MM,5	1	SA		LED3	0601-002733	LED;SMD(TOP VIEW),WHT,3.5x2.8x1.8mm	1	SA	
C1S38	2401-000038	C-AL;470uF,20%,25V,GP,TP,10x12.5mm,	1	SA		LED4	0601-002733	LED;SMD(TOP VIEW),WHT,3.5x2.8x1.8mm	1	SA	
C1S40	2301-000129	C-FILM,LEAD-PEF;100nF,5%,50V,TP,10X	1	SA		PCB	AK41-00975A	PCB-VFD;BD-C6900,SILVER THROUGH,2,00	0.25	SNA	
CN1S01	3711-003380	HEADER-BOARD TO CABLE;1WALL,2P,1R,7	1	SA		Q2	0504-000126	TR-DIGITAL;KSR1101,NPN,200mW,4.7K/4	1	SA	
CNV1	3711-006150	HEADER-BOARD TO BOARD;NOWALL,11P,2R	1	SA		Q3	0504-000126	TR-DIGITAL;KSR1101,NPN,200mW,4.7K/4	1	SA	
D1S10	0402-000012	DIODE-RECTIFIER;UF4007,1000V,1A,DO-	1	SA		Q4	0504-000126	TR-DIGITAL;KSR1101,NPN,200mW,4.7K/4	1	SA	
D1S11	0402-000351	DIODE-RECTIFIER;1N4937,600V,1A,DO-4	1	SNA		R1	2007-000101	R-CHIP;82Kohm,5%,1/10W,TP,1608	1	SA	
D1S30	0402-000351	DIODE-RECTIFIER;1N4937,600V,1A,DO-4	1	SNA		R12	2007-000659	R-CHIP;27ohm,5%,1/10W,TP,1608	1	SA	
D1S31	0402-000351	DIODE-RECTIFIER;1N4937,600V,1A,DO-4	1	SNA		R13	2007-000659	R-CHIP;27ohm,5%,1/10W,TP,1608	1	SA	
D1S32A	0402-001680	DIODE-RECTIFIER;SF34,200V,3A,DO-201	1	SA		R14	2007-000659	R-CHIP;27ohm,5%,1/10W,TP,1608	1	SA	
D1S36	0402-000268	DIODE-RECTIFIER;SB360,60V,3A,DO-201	1	SA		R2	2007-000102	R-CHIP;100Kohm,5%,1/10W,TP,1608	1	SA	
F1S01	3601-000237	FUSE-CARTRIDGE;250V,2A,SLOW-BLOW,CE	1	SA		R3	2007-000072	R-CHIP;47ohm,5%,1/10W,TP,1608	1	SNA	
HP_SUB	0202-001608	SOLDER-WIRE FLUX;LFC7-107,DO.8,99.3	0.003	SNA		R4	2007-000077	R-CHIP;470ohm,5%,1/10W,TP,1608	1	SA	
HP_SUB	0202-001463	SOLDER-WIRE;LFC2-W3.0,-,D3,99.79Sn/	6.798	SNA		R5	2007-000293	R-CHIP;100ohm,5%,1/4W,TP,3216	1	SNA	
HP_SUB	0204-002420	SOLVENT;1M-1000,C3H7OH,96	0.00197	SNA		R6	2007-000293	R-CHIP;100ohm,5%,1/4W,TP,3216	1	SNA	
HP_SUB	0204-002607	FLUX;DF-234U,13%,14KG,Gravity 0.82	1.279	SNA		R7	2007-000695	R-CHIP;3.3ohm,5%,1/10W,TP,1608	1	SNA	
IC1	1203-005607	IC-PWM CONTROLLER;ICE3BR1765J,DIP,8	1	SNA		R8	2007-000695	R-CHIP;3.3ohm,5%,1/10W,TP,1608	1	SNA	
IC1S02	0604-001028	PHOTO-COUPLER;TR,50-600%,250mW,DIP-	1	SC		SUB01	0202-001463	SOLDER-WIRE;LFC2-W3.0,-,D3,99.79Sn/	1.105	SNA	
IC1S03	AC14-12006D	IC;KA431Z,TO-92,TAPING	1	SA		VFD	AK07-00073A	VF DISPLAY;HNV-07SS81T,BD-C5500,78.	1	SNA	
L1S01	AK29-00006A	FILTER LINE NOISE;BD-C5500,UU1116V,	1	SNA		3809-002564	FFC CABLE-FLAT;60V,120C,80mm,5P,1mm	1	SNA		
L1S10	AC27-92001M	COIL-INDUCTOR;RH3.5x6.5RS,BEAD(RADI	1	SC		3809-002569	FFC CABLE-FLAT;60V,105C,75mm,22P,1m	1	SNA		
L1S30	AC27-12001N	COIL CHOKE;RA,K-30,Q80,150KHZ,150KH	1	SA		AK61-00999A	HOLDER-VFD;BD-C5300/XAA,ABS,T2.0,W7	1	SNA		
L1S31	AK27-00008A	COIL CHOKE;BAR5*20,BD-P1600,5.5uH,2	1	SA		0103-004609	RESIN-ABS;BK0007,HB,ABS,High Flow A	4.5	SNA		
PCB	AK41-009588B	PCB-SMPS;BD-C6900,PHENOL,1,00,1.6T,	1	SNA		AK63-00611A	SHEET-WINDOW;BD-C5300/XAA,PC,T0.5,W	1	SNA		
PF1S	3602-000103	FUSE-CLIP;-,-,10mohm	1	SNA		AK63-00654E	SHEET-PCB;BD-C6900/XAA,PET,T0.2,W55	1	SNA		
PF2S	3602-000103	FUSE-CLIP;-,-,10mohm	1	SNA							
PT01	AK26-00043A	TRANS SWITCHING;ER2828,BD-C5500,VAR	1	SNA							
R1S01	2002-001013	R-COMPOSITION;4.7Mohm,5%,1/2W,AA,TP	1	SA							
R1S02	1404-001361	THERMISTOR-NTC;3ohm,4A,-,35mW/C,0uF	1	SA							
R1S10	2003-002357	R-METAL OXIDE(S);330Kohm,5%,1W,AF,T	1	SNA							
R1S11	2001-000568	R-CARBON;27ohm,5%,1/8W,AA,TP,1.8x3.	1	SA							
R1S13	2003-002213	R-METAL OXIDE(S);0.82ohm,5%,2W,AF,T	1	SA							
R1S14	2001-000527	R-CARBON;22ohm,5%,1/8W,AA,TP,1.8x3.	1	SA							
R1S32	2001-000440	R-CARBON;1ohm,5%,1/8W,AA,TP,1.8x3.2	1	SA							
R1S35	2001-000429	R-CARBON;1Kohm,5%,1/8W,AA,TP,1.8x3.	1	SA							

Loc.No	Parts No	Description / Specification	Qty	S.N.A	Remark	Loc.No	Parts No	Description / Specification	Qty	S.N.A	Remark
	AK97-03475A	ASSY SMD;AK94-00287A	1	SNA		R1	2007-000143	R-CHIP;4.7Kohm,5%,1/16W,TP,1005	1	SNA	
						R16	2007-007156	R-CHIP;1ohm,5%,1/16W,TP,1005	1	SNA	
PSU01	AK94-00282A	ASSY PCB S-SUB-USB;BD-C5500/XAA,ASS	1	SA		R2	2007-000143	R-CHIP;4.7Kohm,5%,1/16W,TP,1005	1	SNA	
CON1	3708-002161	CONNECTOR-FPC/FFC/PIC;5P,1mm,ANGLE,	1	SA		TC11	2203-006890	C-CER,CHIP;1000nF,20%,6.3V,X5R,160	1	SNA	
HP_SUB	0202-001608	SOLDER-WIRE FLUX;LFC7-107,D0.8,99.3	0.003	SNA		TC16	2203-005249	C-CER,CHIP;100nF,10%,50V,X7R,TP,160	1	SNA	
HP_SUB	0202-001463	SOLDER-WIRE;LFC2-W3.0,-D3,99.79Sn/	1.58	SNA		TC2	2203-005993	C-CER,CHIP;68nF,10%,16V,X7R,TP,1005	1	SA	
HP_SUB	0204-002420	SOLVENT;1M-1000,C3H7OH,96	0.00011	SNA		TC3	2203-005393	C-CER,CHIP;0.005nF,0.1pF,50V,NP0,TP	1	SNA	
HP_SUB	0204-002607	FLUX;DF-234U,13%,14KG,Gravity 0.82	0.071	SNA		TC4	2203-005993	C-CER,CHIP;68nF,10%,16V,X7R,TP,1005	1	SA	
PCB	AK41-00960A	PCB SUB-USB;BD-C5500/BD-C6500,FR-1,	0.083	SNA		TC5	2203-005393	C-CER,CHIP;0.005nF,0.1pF,50V,NP0,TP	1	SNA	
USBJAC	3722-002683	JACK-USB;4P/1C,AU,BLACK,STRAIGHT,A	1	SA		TC6	2203-005993	C-CER,CHIP;68nF,10%,16V,X7R,TP,1005	1	SA	
						TC7	2203-005393	C-CER,CHIP;0.005nF,0.1pF,50V,NP0,TP	1	SNA	
						TC8	2203-005993	C-CER,CHIP;68nF,10%,16V,X7R,TP,1005	1	SA	
						TC9	2203-005393	C-CER,CHIP;0.005nF,0.1pF,50V,NP0,TP	1	SNA	
MLO2A	AK94-00306A	ASSY PCB LED-DECK;BD-C6900,XAA,DECK	1	SA		TIC1	1209-001962	IC-SENSOR;MST09S24BLQ-T014,24-QFN,2	1	SA	
DLC1	2203-005148	C-CER,CHIP;100nF,10%,16V,X7R,TP,160	1	SNA		TR1	2007-000116	R-CHIP;120ohm,5%,1/10W,TP,1608	1	SNA	
DLC2	2203-007270	C-CER,CHIP;1000nF,10%,10V,X5R,TP,1	1	SNA		TR10	2007-000152	R-CHIP;20Kohm,5%,1/16W,TP,1005	1	SNA	
DLCN1	3708-001618	CONNECTOR-FPC/FFC/PIC;5P,1mm,SMD-A,	1	SA		TR11	2007-003012	R-CHIP;2.2Mohm,5%,1/16W,TP,1005	1	SNA	
DLED1	0601-002908	LED;SMD(SIDE VIEW),WHT,3.8x1.2mm,3,	1	SNA		TR12	2007-000152	R-CHIP;20Kohm,5%,1/16W,TP,1005	1	SNA	
DLED2	0601-002908	LED;SMD(SIDE VIEW),WHT,3.8x1.2mm,3,	1	SNA		TR13	2007-003012	R-CHIP;2.2Mohm,5%,1/16W,TP,1005	1	SNA	
DLED3	0601-002908	LED;SMD(SIDE VIEW),WHT,3.8x1.2mm,3,	1	SNA		TR2	2007-000116	R-CHIP;120ohm,5%,1/10W,TP,1608	1	SNA	
DLED4	0601-002908	LED;SMD(SIDE VIEW),WHT,3.8x1.2mm,3,	1	SNA		TR3	2007-000116	R-CHIP;120ohm,5%,1/10W,TP,1608	1	SNA	
DLED5	0601-002908	LED;SMD(SIDE VIEW),WHT,3.8x1.2mm,3,	1	SNA		TR30	2007-000139	R-CHIP;220ohm,5%,1/16W,TP,1005	1	SNA	
DLED6	0601-002908	LED;SMD(SIDE VIEW),WHT,3.8x1.2mm,3,	1	SNA		TR31	2007-000139	R-CHIP;220ohm,5%,1/16W,TP,1005	1	SNA	
DLED7	0601-002908	LED;SMD(SIDE VIEW),WHT,3.8x1.2mm,3,	1	SNA		TR32	2007-000139	R-CHIP;220ohm,5%,1/16W,TP,1005	1	SNA	
DLED8	0601-002908	LED;SMD(SIDE VIEW),WHT,3.8x1.2mm,3,	1	SNA		TR33	2007-000139	R-CHIP;220ohm,5%,1/16W,TP,1005	1	SNA	
DLED9	0601-002908	LED;SMD(SIDE VIEW),WHT,3.8x1.2mm,3,	1	SNA		TR4	2007-000116	R-CHIP;120ohm,5%,1/10W,TP,1608	1	SNA	
DLIC1	AK11-00009A	IC MASK ROM;MC81F4204R,BD-C6900,MAS	1	SNA		TR6	2007-000152	R-CHIP;20Kohm,5%,1/16W,TP,1005	1	SNA	
DLR1	2007-000882	R-CHIP;4.7ohm,5%,1/10W,TP,1608	1	SNA		TR7	2007-003012	R-CHIP;2.2Mohm,5%,1/16W,TP,1005	1	SNA	
DLR10	2007-001161	R-CHIP;75Kohm,5%,1/10W,TP,1608	1	SA		TR8	2007-000152	R-CHIP;20Kohm,5%,1/16W,TP,1005	1	SNA	
DLR2	2007-000882	R-CHIP;4.7ohm,5%,1/10W,TP,1608	1	SNA		TR9	2007-003012	R-CHIP;2.2Mohm,5%,1/16W,TP,1005	1	SNA	
DLR3	2007-000882	R-CHIP;4.7ohm,5%,1/10W,TP,1608	1	SNA			AK97-04175A	ASSY SMD-TOUCH;AK94-00281E	1	SNA	
DLR4	2007-000882	R-CHIP;4.7ohm,5%,1/10W,TP,1608	1	SNA		DO01A	AK90-00080J	ASSY DECK-SKB;BD-C6900,SEIN,BD-PGE,	1	SA	
DLR5	2007-000882	R-CHIP;4.7ohm,5%,1/10W,TP,1608	1	SNA		REMO2	AK59-00104R	REMOCON-ASSY;"10 BDP BD-C5500/XAA,S	1	SA	
DLR6	2007-000882	R-CHIP;4.7ohm,5%,1/10W,TP,1608	1	SNA			AK83-01054A	CKD-TM1052;CASE-TOP,ABS+PMA,SF-050	1	SNA	
DLR7	2007-000882	R-CHIP;4.7ohm,5%,1/10W,TP,1608	1	SNA			AK83-01055A	CKD-TM1052;CASE-BOTTOM,ABS,HF-0680,	1	SNA	
DLR8	2007-000882	R-CHIP;4.7ohm,5%,1/10W,TP,1608	1	SNA			AK83-01056A	CKD-TM1052;DOOR-BATTERY,ABS,HF-0680	1	SNA	
DLR9	2007-000882	R-CHIP;4.7ohm,5%,1/10W,TP,1608	1	SNA			AK83-01057A	CKD-TM1052;KNOB-ENTER,ABS,HF-0680,2	1	SNA	
PCB	AK41-00976A	PCB-DECK LED;BD-C6900,SILVER THROGH	0.1667	SNA			AK83-01058A	CKD-TM1052;KNOB-NAVIGATION,ABS,HF-0	1	SNA	
SUB02	0202-001477	SOLDER-CREAM;LST309-M,D20-45um,96.5	0.069	SNA			AK83-01059A	CKD-TM1052;HOLDER-WIRE,URETHANE(ELA	1	SNA	
SUB03	0202-001608	SOLDER-WIRE FLUX;LFC7-107,D0.8,99.3	0.003	SNA			AK83-01060A	CKD-TM1052;RUBBER-KEY,SILICONE(ECR	1	SNA	
SUB04	0204-002420	SOLVENT;1M-1000,C3H7OH,96	0.00226	SNA			AK83-01061A	CKD-TM1052;SPRING-REMOCON(+),SUS 30	1	SNA	
SUB05	0204-002607	FLUX;DF-234U,13%,14KG,Gravity 0.82	1.471	SNA			AK83-01062A	CKD-TM1052;SPRING-REMOCON(-),SUS 30	1	SNA	
	3809-002566	FFC CABLE-FLAT;60V,105C,60mm,5P,1mm	1	SNA			AK83-01063A	CKD-TM1052;SPRING-REMOCON(C),SUS 30	1	SNA	
	AK97-03650A	ASSY SMD-DECK;XAA,DECK-LED ASSY,AK9	1	SNA			AK83-01064A	CKD-TM1052;FOAM-BAG,SUS 304 0.5	1	SNA	
AUWLD	AK96-01284A	ASSY USB P-WIRELESS LAN MODULE;DNUB	1	SA			AK83-01065A	CKD-TM1052;PASSE-LABEL,ART PAPER(12	1	SNA	
							AK83-01066A	CKD-TM1052;PCB-REMOCON,XPC-1,44*203	1	SNA	
							AK83-01067A	CKD-TM1052;R-CHIP,0,J,1/8W,1608,SMD	1	SNA	
AK94-00281E	ASSY PCB KEY-TOUCH;BD-C5500/XAA,ASS	1	SNA				AK83-01068A	CKD-TM1052;TANTALUM,47uF,M,6.3V,A S	1	SNA	
CN1	3708-002140	CONNECTOR-FPC/FFC/PIC;5P,1mm,SMD-S,	1	SNA			AK83-01069A	CKD-TM1052;C-CHIP,104,Z,50V,1608,Y5	1	SNA	
D1	0401-001099	DIODE-SWITCHING;1N4148WS,75V,150mA,	1	SNA			AK83-01070A	CKD-TM1052;TACT SW,KTS-1102F,DHT-1	1	SNA	
D2	0401-001099	DIODE-SWITCHING;1N4148WS,75V,150mA,	1	SNA			AK83-01071A	CKD-TM1052;LED-IR,S15411-H/SB5010IR	1	SNA	
D3	0401-001099	DIODE-SWITCHING;1N4148WS,75V,150mA,	1	SNA			AK83-01072A	CKD-TM1052;IC-MCU,"ADAM41P2723G,SOP	1	SNA	
D4	0401-001099	DIODE-SWITCHING;1N4148WS,75V,150mA,	1	SNA							
D5	0406-001239	DIODE-TVS;RClamp0502B,6/-+V,125W,S	1	SA							
HP_SUB	0202-001477	SOLDER-CREAM;LST309-M,D20-45um,96.5	0.006	SNA							
LEDO	0601-002908	LED;SMD(SIDE VIEW),WHT,3.8x1.2mm,3,	1	SNA							
LEDP	0601-002908	LED;SMD(SIDE VIEW),WHT,3.8x1.2mm,3,	1	SNA							
LEDPWR	0601-002908	LED;SMD(SIDE VIEW),WHT,3.8x1.2mm,3,	1	SNA							
LEDS	0601-002908	LED;SMD(SIDE VIEW),WHT,3.8x1.2mm,3,	1	SNA							
PCB	AK41-00962B	PCB-TOUCH KEY;BD-C5500/BD-C6500,SIL	0.125	SNA							
						AC352	AK63-00649A	COVER-SIDE;BD-C6900/XAA,PC,T2.5,W40	1	SA	
						ACEE1	AK92-01947C	ASSY ACCESSORY;BD-C6900/XEF	1	SNA	
						AS161	AK63-00650A	SHEET-TOP;BD-C6900/XAA,PC,T2,W426,L	1	SNA	
						B001A	AK96-01398B	ASSY COVER P-BOTTOM;BD-C6900,XEF,FR	1	SNA	
							BUMPONA69-20372X	CUSHION-BUMPON;DVD-HD931,OTHER,T2.0	2	SNA	

Exploded Views and Parts List

Loc.No	Parts No	Description / Specification	Qty	S.N.A	Remark	Loc.No	Parts No	Description / Specification	Qty	S.N.A	Remark
C-AV	AC39-42001R	CABLE-AV;PVC	1	SC							
CC02	AK64-02476B	CHASSIS-BOTTOM;BD-C6900/XEF,EGI-SEC	1	SNA							
CCM1	BN63-05199B	COVER-SHEET;AMBER,PE,TO.08,W65mm,20	0.45	SNA							
CCM1	AK68-01466Y	LABEL RATING;BD-P1600A/XER,SER,PET,	1	SNA							
D001A	AK96-01294J	ASSY ENGINE P-BD DECK;BD-P6E,SEIN,1	1	SNA							
ES04	AK61-01028A	SPRING ETC-DOOR;BD-C6900/XAA,SUS416	1	SA							
F001	AK64-02474B	PANEL-FRONT;BD-C6900/XEF,ABS+PMMA,T	1	SNA							
F001A	AK96-01396B	ASSY COVER P-PANEL;BD-C6900,XEE,XEF	1	SA							
FD03	AK64-02475A	DOOR-TRAY;BD-C6900/XAA,PC,T2.5,100,	1	SA							
FD12	AK64-02427A	DOOR-USB;BD-C5500/XAA,ABS BLK + ELA	1	SA							
FL06	3809-002565	FFC CABLE-FLAT;60V,105C,60mm,5P,1mm	1	SA							
L-BARC	AH68-00371A	LABEL-BAR CODE;ALL,ALL,ART PAPER,0.	1	SNA							
M0017	AK91-01033C	ASSY CHASSIS;BD-C6900/XEF,ASSY CHAS	1	SNA							
M0045	AK97-01943A	ASSY ACCESSORY;DVD-R157/XAA,-,NEXUS	1	SNA							
M0131	BN63-00135A	GASKET;MCX15A,Conductive fabric,2.5	1	SNA							
P025	3903-000176	CBF-POWER CORD;AT,EU,CP2,HOUSING(2P)	1	SA							
RC01	AK63-00651A	COVER-SIDE R;BD-C6900/XAA,PC,T2.5,W	1	SA							
S.N.A	4301-001035	BATTERY-ALKALINE;1.5V,0mAh,LR03,10.	2	SNA							
S.N.A	0203-001100	TAPE-OPP MASKING;OPP/W75/CLR,TO.075	1,292	SNA							
T001	AK63-00648B	COVER-TOP;BD-C6900/XEF,ABS+PMMA,T2.	1	SNA							
T001A	AK96-01397B	ASSY COVER P-TOP;BD-C6900,XEE,XEF,A	1	SA							
T0524	6902-000286	BAG PE;LDPE,TO.03,W200,L300,TRP,8,2	1	SNA							
UNIT7A	AK96-01414H	ASSY MANUAL P;BD-C6900,IB,CARD,XEF	1	SNA							
W275	6003-001561	SCREW-TAPTYP;BH,+,-,B,M3,L6,ZPC(WH	4	SA							
W275	6003-001561	SCREW-TAPTYP;BH,+,-,B,M3,L6,ZPC(WH	4	SA							
W275	6003-001561	SCREW-TAPTYP;BH,+,-,B,M3,L6,ZPC(WH	3	SA							
W391	6003-000275	SCREW-TAPTYP;BH,+B,M3,L10,ZPC(BLK	3	SA							
W391	6003-000275	SCREW-TAPTYP;BH,+B,M3,L10,ZPC(BLK	1	SA							
W391	6003-000275	SCREW-TAPTYP;BH,+B,M3,L10,ZPC(BLK	3	SA							
W391	6003-000275	SCREW-TAPTYP;BH,+B,M3,L10,ZPC(BLK	3	SA							
	0103-007304	RESIN-PMMA;BK0041,UL-94 HB,PMMA+ABS	85	SNA							
	0103-005096	RESIN-ABS;HB,ABS+PMMA	10	SNA							
	0103-004618	RESIN-ABS;WT0034,HB,ABS,High Flow A	10	SNA							
	0103-004618	RESIN-ABS;WT0034,HB,ABS,High Flow A	6	SNA							
	0103-005096	RESIN-ABS;HB,ABS+PMMA	100	SNA							
	0103-004609	RESIN-ABS;BK0007,HB,ABS,High Flow A	4	SNA							
	0103-004609	RESIN-ABS;BK0007,HB,ABS,High Flow A	2	SNA							
	0103-004609	RESIN-ABS;BK0007,HB,ABS,High Flow A	5	SNA							
	AK63-00654D	SHEET-PANEL D;BD-C6900/XAA,PET,TO.2	1	SNA							
	AK63-00657A	GASKET-EMI,SPONGE;BD-C6900,Conducti	1	SNA							
	AH64-05319A	DECORATION-DECK;HT-C6500,ABS,2.5,33	1	SNA							
	AH67-00568A	LENS-DECK.LIGHTING;HT-C6500,PMMA,MI	1	SNA							
	AK61-01002A	HOLDER-INDICATOR;BD-C6500/XAA,ABS,T	1	SNA							
	AK61-01016A	HOLDER-TOUCH;BD-C6700/XAA,ABS,T2.43	1	SNA							
	AK64-02445A	INDICATOR-LIGHTING;BD-C6500/XAA,ACR	1	SNA							
	AK74-01006A	TAPE-TOUCH-PCB;BD-C5300/XAA,DOUBLE	1	SNA							
	AK61-00921A	HOLDER-BOTTOM;BD-C5500/XAA,HIPS,2,4	1	SNA							
	AK61-01025A	HOLDER-SCREW;BD-C6900/XAA,ABS,T2,30	4	SNA							
	AK61-01026A	HOLDER-WIFI;BD-C6500,ABS,T2,30,20,B	1	SNA							
	AK69-00704A	PAD-THERMAL25-25;BD-C5300/XAA,RUB-O	1	SNA							
	0103-005096	RESIN-ABS;HB,ABS+PMMA	45	SNA							
	0103-005096	RESIN-ABS;HB,ABS+PMMA	45	SNA							
	6801-001763	CARD-REGISTRATION;Europe Registrati	1	SNA							
	AK68-01942J	MANUAL USERS;BD-C6900,EDC,SR(Serbia	1	SNA							
	AK68-01945K	MANUAL USERS;BD-C6900,EDC,GER,POL,H	1	SNA							
	AK68-01945L	MANUAL USERS;BD-C6900,EDC,FRA,ITA,M	1	SNA							
	AK68-01945M	MANUAL USERS;BD-C6900,EDC,SK(Slovak	1	SNA							
	AK68-01945N	MANUAL USERS;BD-C6900,EDC,BG(Bulgar	1	SNA							
	AK68-01945P	MANUAL USERS;BD-C6900,EDC,ENG,EL(Gr	1	SNA							
	AK97-02206A	ASSY BAG-PE;BAG PE,HT-X20R,HT-X20R,	1	SNA							
	AK63-00658A	GASKET;BD-C6900,AL,60um,10nn,15mm,S	1	SNA							
	AK68-01865J	LABEL-POP STAND;BD-C6900/XEF,SEF,AR	1	SNA							
	AK69-00832C	BOX-SET;BD-C6900/XEF,CB,SW,A-1,OF	1	SNA							
	6902-000604	BAG WRAPPING;LDPE,TO.02,W500,L10000	0.9	SNA							

MEMO