

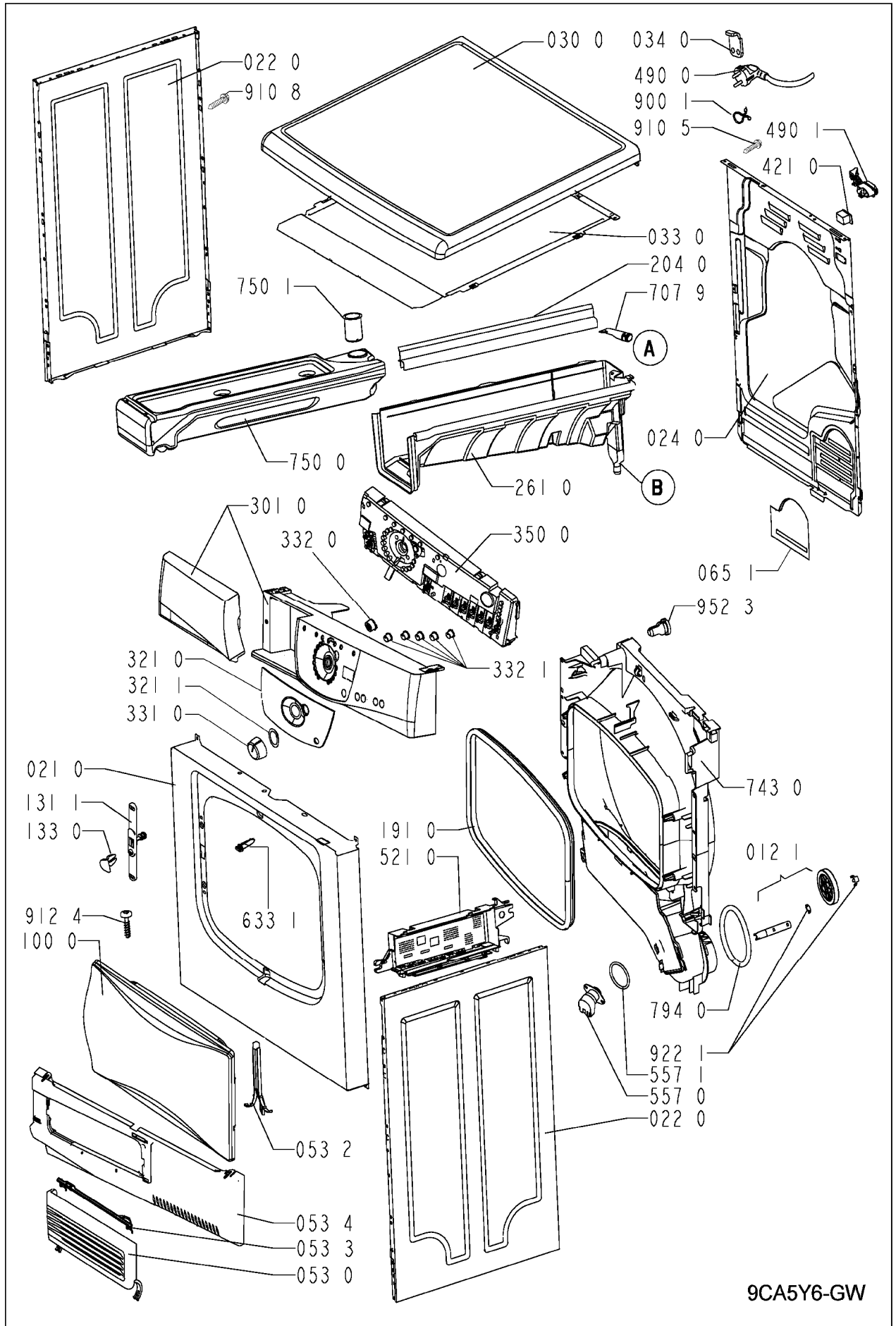
Spare part list

Model AWZ 8992
Service No. 857589910003
Version 857589910003

Pos. No.	12NC Code	Description
004 0	4812 440 19718	Bottom
011 0	4812 500 18054	Foot adjustable
012 0	4812 528 78033	Roll
012 1	4812 528 98003	Shaft Front + Roll
012 2	4812 520 28068	Shaft rear
021 0	4812 440 10819	Front VBL BK GW
022 0	4812 440 10866	Panel,side GW
024 0	4812 440 19708	Panel, rear
030 0	4812 440 10868	Table top R2 VBL GW
033 0	4812 310 18582	Kit Push in cover
034 0	4812 417 78015	Fastener Tabletop
053 0	4812 440 89048	Flap complete GW
053 2	4812 417 28061	Lever,fastener plinth
053 3	4812 417 28089	Lock transmit plinth GW
053 4	4812 440 89049	Plinth WH top GW
065 1	4812 325 18009	Insulation rear panel
065 4	4812 325 18008	Insulation housing
100 0	4812 440 10871	Door R2 VBL GW
131 1	4812 271 38463	Door lock system GW
133 0	4812 417 28096	Hook GW
133 2	4812 417 28056	Lock Bag filter
191 0	4812 466 68607	Gasket, door
204 0	4812 466 38014	Protector
220 0	4812 418 18177	Drum cpl.SS
223 0	4812 418 89017	Drum lifter GW
261 0	4812 418 79821	Case f.water cont.
271 0	4812 358 18164	Belt,driving 1936 H7 CD RO
273 0	4812 358 18055	Pulley jokey
275 0	4812 492 68129	Spring
291 0	4812 466 68561	Gasket front
291 2	4812 466 68562	Gasket Drum rear
301 0	4812 452 11761	Control panel AWZ 8992
321 0	4812 452 12271	Insert panel AWZ 8992
321 1	4812 446 88127	Fastener f. Inlay
331 0	4812 414 58201	Knob,timer VBL WH GW
332 0	4812 276 18443	Button VBL WH EL Start GW
332 1	4812 276 18442	Button VBL WH EL Opt.GW
350 0	4812 214 78792	Display board
401 0	4812 361 18291	Motor incl. fan wheel
401 1	4812 401 18421	Clamp Motor
401 2	4812 401 18229	Clamp motor support
420 0	4812 121 18144	Capacitor 10 µ F
421 0	4812 121 18158	Interf.filter
430 0	4812 360 58212	Cover,pump + pump ass.
443 0	4812 361 18292	Blower wheel
443 1	4812 361 18293	Fan wheel blower
443 2	4812 290 88066	Clamp blower wheel
456 0	4812 310 18627	Heating element Kit 2200W
490 0	4812 321 18042	Connect.cable 3m
490 0	4812 321 18044	Cable,mains 5m 4x1
490 1	4812 321 28367	Strain relief
492 1	4812 401 18195	Clip
521 0	4812 214 78905	Control board CD WH
557 0	4812 282 08008	Thermostat drum outlet
557 1	4812 282 98005	Gasket Thermostat

Pos. No.	12NC Code	Description
564 0	4812 259 28681	Thermostat Kit
631 0	4812 271 38396	Microswitch f. pump
631 1	4812 360 18476	Floater
631 2	4812 360 58093	O-Ring
633 1	4812 276 18422	Pin Start reset GW
692 0	4812 210 58035	Bracket Sensor GW
692 1	4812 278 58001	Sensor
707 9	4812 530 48165	Tube inflow
740 0	4812 511 48243	Heat exchanger H4
741 0	4812 440 08003	Blower cold air
741 1	4812 530 48244	Cover blower house
743 0	4812 530 48629	Air guide withouthole GW
743 1	4812 530 48254	Heating chamber SS
743 3	4812 530 48239	Cover blow. house
743 4	4812 464 48122	Cover plate
743 8	4812 466 88519	Gasket f. blow. house
750 0	4812 418 79823	Tank condensw.3,8l GW
750 1	4812 530 28856	Water guide
751 1	4812 418 88044	Water collector
751 2	4812 401 18472	Clamp sump cover
751 3	4812 271 18014	Cover water switch
761 0	4812 480 58322	Filter bag GW
781 0	4812 530 28243	Hose,draining external 1,5 m
783 0	4812 530 08003	Hose inflow bottom
783 1	4812 530 08009	Hose Reflow long
783 2	4812 530 08001	Hose Pump bottom
794 0	4812 466 88523	Gasket AC,Bottom
794 1	4812 466 28108	Gasket heater channel
794 2	4812 466 98935	Sealing Heater holder
794 3	4812 466 98937	Sealing
794 4	4812 466 88521	Gasket filter
900 1	4812 290 88053	Clip
902 2	4812 256 38004	Holder heater
903 0	4812 532 28028	Clip,fix
903 1	4812 401 18228	Fastener
910 1	4812 502 48347	Screw,selftap 3,5x14SS
910 5	4819 502 38265	Screw VAB 4,5x20
910 8	4812 502 48348	Screw ST 4,2X 11
912 4	4812 502 48015	Screw 4,0x16-TORX
922 0	4812 532 58005	Ring,circlip Triring
922 1	4812 532 58007	Ring,circlip
950 1	4812 466 88517	Gasket inlet bottom
952 3	4812 466 88522	Gasket sensor wiring
962 0	4812 466 38012	Protector Motor

Exploded view



9CA5Y6-GW

Exploded view

