

Spare Part List

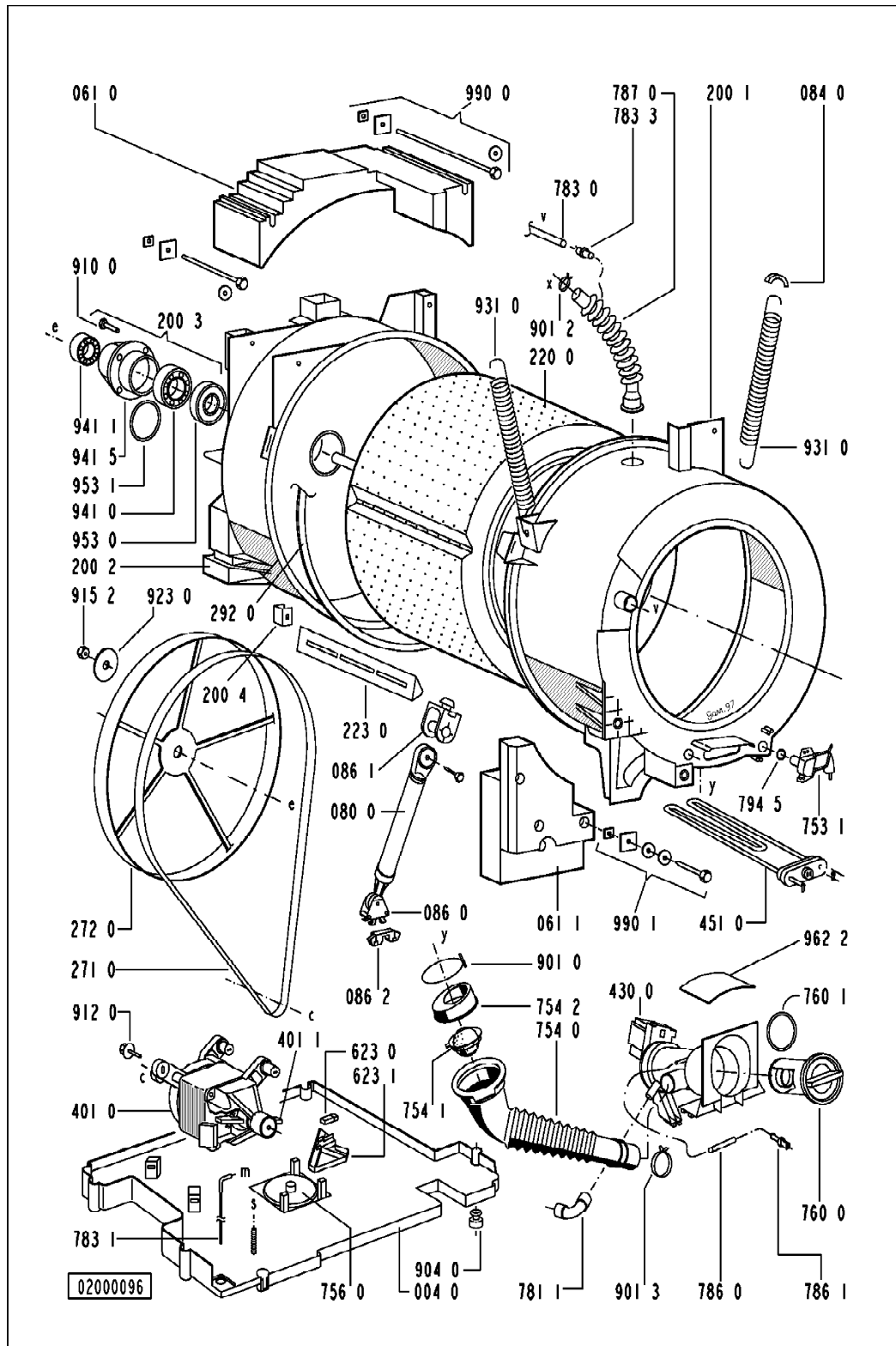
Pos	12NC	Description
001 0	4812 440 19419	Cabinet
003 0	4812 464 48097	Crossbar Rear top degre
004 0	4812 440 19423	Drip tray assy
011 0	4812 500 18068	Foot variable 50mm
011 1	4812 500 18074	Foot leveling kit 85mm
011 1	4812 500 18075	Foot leveling kit 82mm
021 0	4812 440 19424	Panel front
021 1	4812 462 79654	Stopper
024 0	4812 440 18997	Panel rear
025 0	4812 440 19425	Holder Control device
033 0	4812 310 18231	Panel insulatin
040 0	4812 417 18794	Hinge
041 0	4812 417 18034	Hinge
041 1	4812 417 18035	Insert shim 0.2mm
041 1	4812 417 28002	Insert shim 1mm
041 3	4812 417 18033	Cover hinge
053 0	4812 459 38014	Plinth
054 0	4812 440 19433	Spacer f. pedestal
061 0	4812 466 88458	Counter weight upper
061 1	4812 466 88462	Counter weight Lower
065 0	4812 310 18341	Insulation B.in front
065 2	4812 310 18342	Insulation B.in left
065 3	4812 310 18343	Insulation B.in right
065 4	4812 310 18335	Insulation Middle Pane
065 5	4812 310 18336	Insulation Lower
080 0	4812 529 18036	Shock absorber 600-1200
084 0	4812 466 58001	Silent bloc
086 0	4812 401 18409	Holder Shock Absorber
086 1	4812 401 18413	Holder Shock absorber
086 2	4812 401 18412	Stopper
110 0	4812 498 18142	Handle door
110 1	4812 417 18796	Lever grip door
130 0	4812 417 28051	Lock door
130 1	4812 417 28045	Pin Door Lock
131 0	4812 417 28053	Plate Doorlock Upper
131 1	4812 417 28052	Plate Doorlock Lower
134 0	4812 417 48001	Magnet + Buffer
134 1	4812 417 28001	Insert
141 0	4812 450 68219	Door glass
143 0	4812 440 19418	Glassdoor frame
144 0	4812 417 18795	Frame door glas
144 1	4812 401 18417	Stopper
190 0	4812 466 68527	Door bellow
190 1	4812 492 18017	Strap
190 2	4812 492 98011	Strap
200 1	4812 418 18188	Tub Front Part 48L,1200
200 2	4812 418 18192	Tub rear part
200 3	4812 520 18068	Hub cpl. 800/1000,48L
200 4	4812 290 88054	Clamp for tub
220 0	4812 418 18196	Drum 800-1000

Pos	12NC	Description
223 0	4819 515 28244	Drum lifter
271 0	4812 358 18056	V-ribbed belt WH 1250 J5
272 0	4812 528 58027	Pulley DIAM.298
292 0	4812 530 58101	Gasket Tub
301 0	4812 452 19346	Control panel
301 3	4812 452 19348	Control panel side part
301 4	4812 452 19355	Frame Switch 5-Fold
303 0	4812 498 18143	Handle drawer
303 1	4812 498 18144	Handle cover
322 0	4812 452 19347	Insert panel AWM 028-P/E
324 0	4812 440 18992	Lid Rearcover
331 0	4812 413 48246	Knob timer 2A-
331 1	4812 413 18202	Adapter f. Knob
331 2	4812 413 18201	Adapter f. Knob
332 0	4812 410 28555	Push button
335 0	4812 413 48245	Knob thermostat
337 0	4812 412 58001	Knob speed spin
351 1	4812 134 48191	Lamp Door
354 1	4812 134 48196	Pilot lamp
401 0	4812 361 58117	Motor WA-DELTA 800U-MCA45
401 1	4812 362 48004	Brush,carbon motor CESET
421 0	4812 121 18142	Interf.filter 1,00 μ F
430 0	4812 360 18369	Pump,draining BI
451 0	4812 259 28662	Heating element
490 0	4819 321 18136	Cable mains 2m SA
490 1	4812 321 28367	Strain relief
504 0	4812 282 18458	Timer MASK 3 2A
511 0	4812 413 48223	Selector Temp./Spin
581 0	4812 271 28366	Pressostat
620 1	4812 276 18238	Switch Options
621 0	4812 276 18252	Switch On / Off
623 0	4812 271 38358	Switch MICRO
623 1	4812 271 38359	Support Switch Aquastop
630 0	4812 280 58023	Door lock
701 0	4812 530 28808	Hose inlet VWS 1,5m
701 0	4812 530 28839	Hose inlet VWS 3m
701 1	4822 480 50159	Sieve inlet
702 0	4812 530 28828	Hose inlet intern
707 0	4812 526 48031	Nozzle Distribution
707 1	4812 526 48028	Nozzle
708 1	4812 530 48143	Bend
711 0	4812 418 88025	Dispenser BK,WH-3CH
712 0	4812 418 78922	Drawer Detergent
713 0	4812 418 88019	Flap Detergent Container
717 0	4812 321 28377	Bowden cable
717 1	4812 321 38013	Lever , Nozzle
717 2	4812 321 38012	Holder adjust.
717 3	4812 278 88007	Slide
717 5	4812 282 18459	Cam BK,WH,BI,PL 2A,3CH
718 0	4812 526 48027	Siphon 3 - Chamber

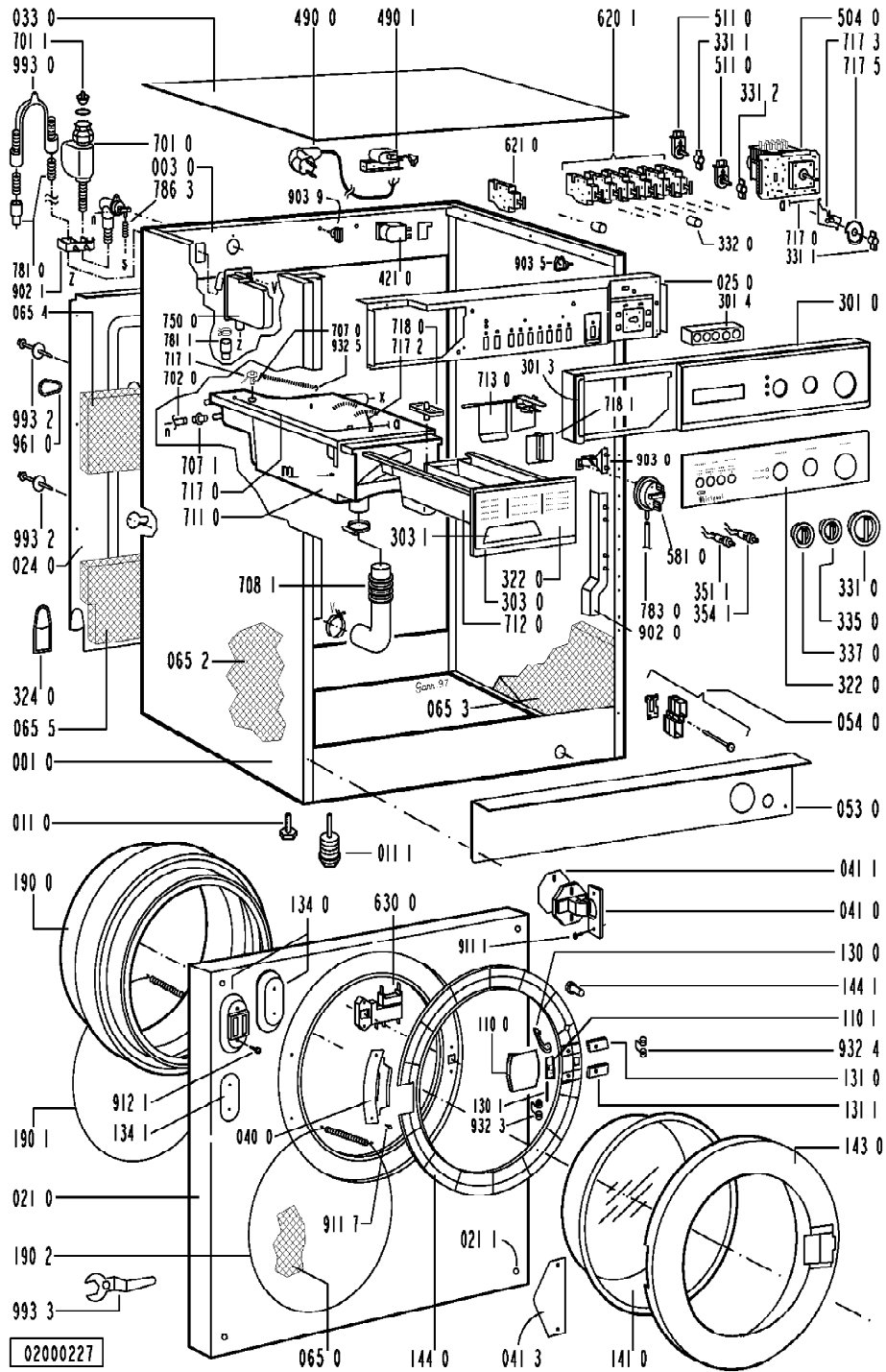
Pos	12NC	Description
718 1	4812 418 88018	Separator 3ch
750 0	4812 530 48153	Chamber,expand. BUILT-IN
753 1	4812 418 68143	Chamber,air
754 0	4812 530 28826	Drainhose
754 1	4812 530 28832	Lock eco
754 2	4812 530 28829	Flange eco
756 0	4812 360 58101	Floater
760 0	4812 480 58078	Filter set Pump
760 1	4812 418 68138	Gasket Sieve / Rough
781 0	4812 530 28831	Hose draining
781 1	4812 530 28818	Hose
783 0	4812 530 28827	Hose Pressostat
783 1	4812 530 28822	Hose
783 3	4812 530 18001	Connection Part
786 0	4812 530 28812	Hose Draining
786 1	4812 462 78179	Plug DrainHose-EM
786 3	4812 530 28809	Hose Aqua-Stop
787 0	4812 530 28819	Hose with hole(exhaust)
794 5	4812 530 58098	Gasket airtrap
901 0	4812 401 18415	Clamp hose Tub
901 2	4812 401 18401	Strap
901 3	4812 401 18414	Clamp hose
902 0	4812 290 88049	Bracket
902 1	4812 255 18204	Holder Hose outlet
903 0	4812 255 18205	Holder Pressostat
903 5	4812 290 88048	Cable clamp
903 9	4812 290 88046	Cable clamp
904 0	4812 529 58002	Rivet Base
910 0	4812 502 18383	Screw Torx T40 M 8X 25
911 1	4812 502 48004	Screw 4x15H
911 7	4812 903 08014	Screw M5x12 for Hinge
912 0	4812 502 18382	Screw M8 X 35
912 1	4812 502 18007	Screw M 5x16-H
915 2	4812 505 18371	Nut M 12
923 0	4812 532 18024	Washer
931 0	4812 492 38363	Spring
932 3	4812 492 58025	Spring door
932 4	4812 492 58024	Spring Door Safety
932 5	4812 492 38359	Spring , Nozzle
941 0	4812 310 18365	Bearing, kit KD SET Agg 1
941 1	4819 520 18034	Bearing,ball 6202 2Z
941 5	4812 520 18069	Hub 800/1000,48L
953 0	4812 530 58097	Shaft seal
953 1	4812 530 58096	O-Ring Bearing
961 0	4812 321 48004	Cover
962 2	4812 360 78035	Foil Water protect.
990 0	4819 310 39227	Mounting kit Weight top
990 1	4819 310 39228	Mounting kit Weight bottom
993 0	4812 530 48017	Bow
993 2	4812 268 18015	Lever,security

<u>Pos</u>	<u>12NC</u>	<u>Description</u>
993 3	4812 395 58004	Tool

Exploded View



Exploded View



Exploded View

