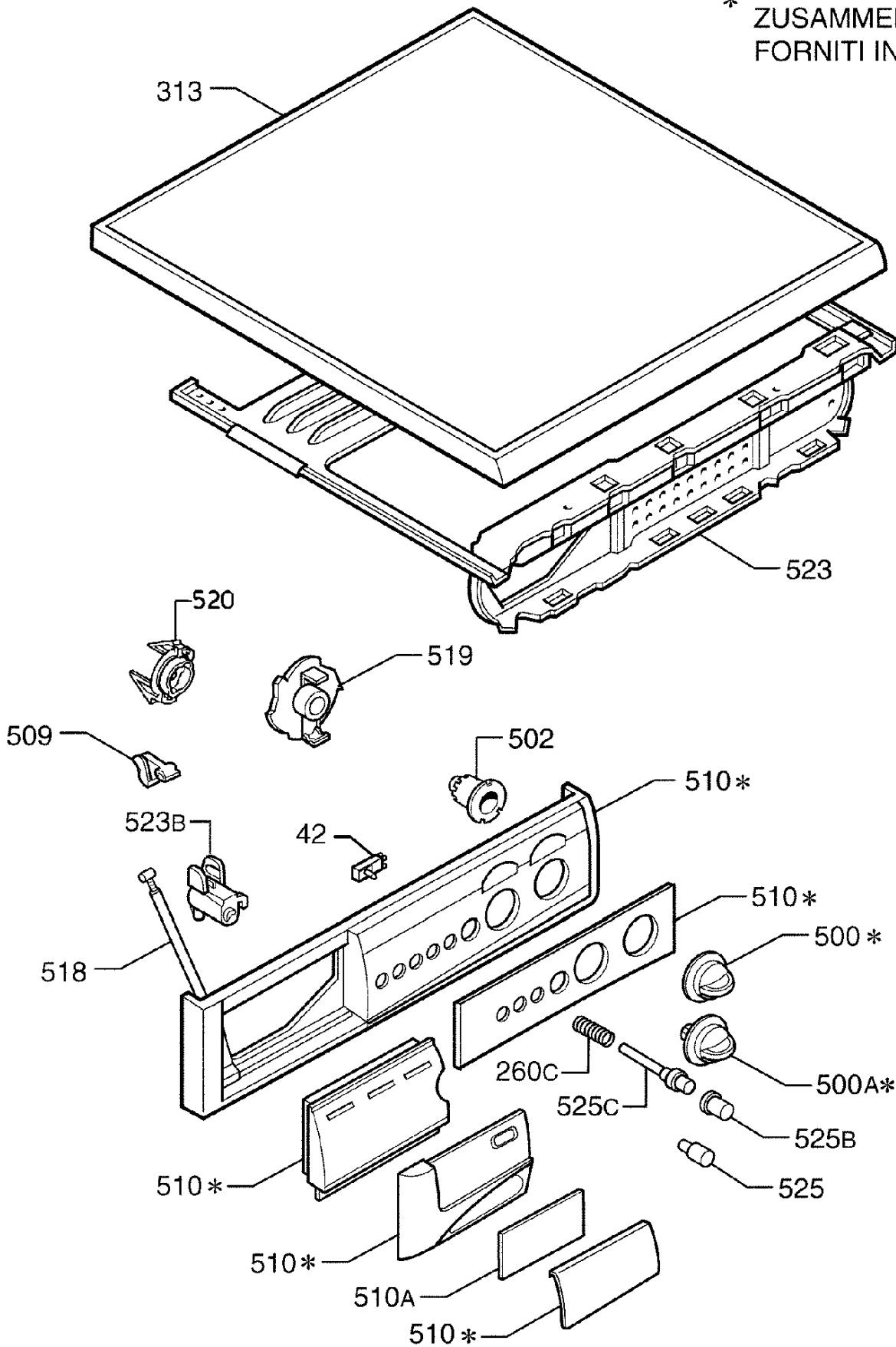
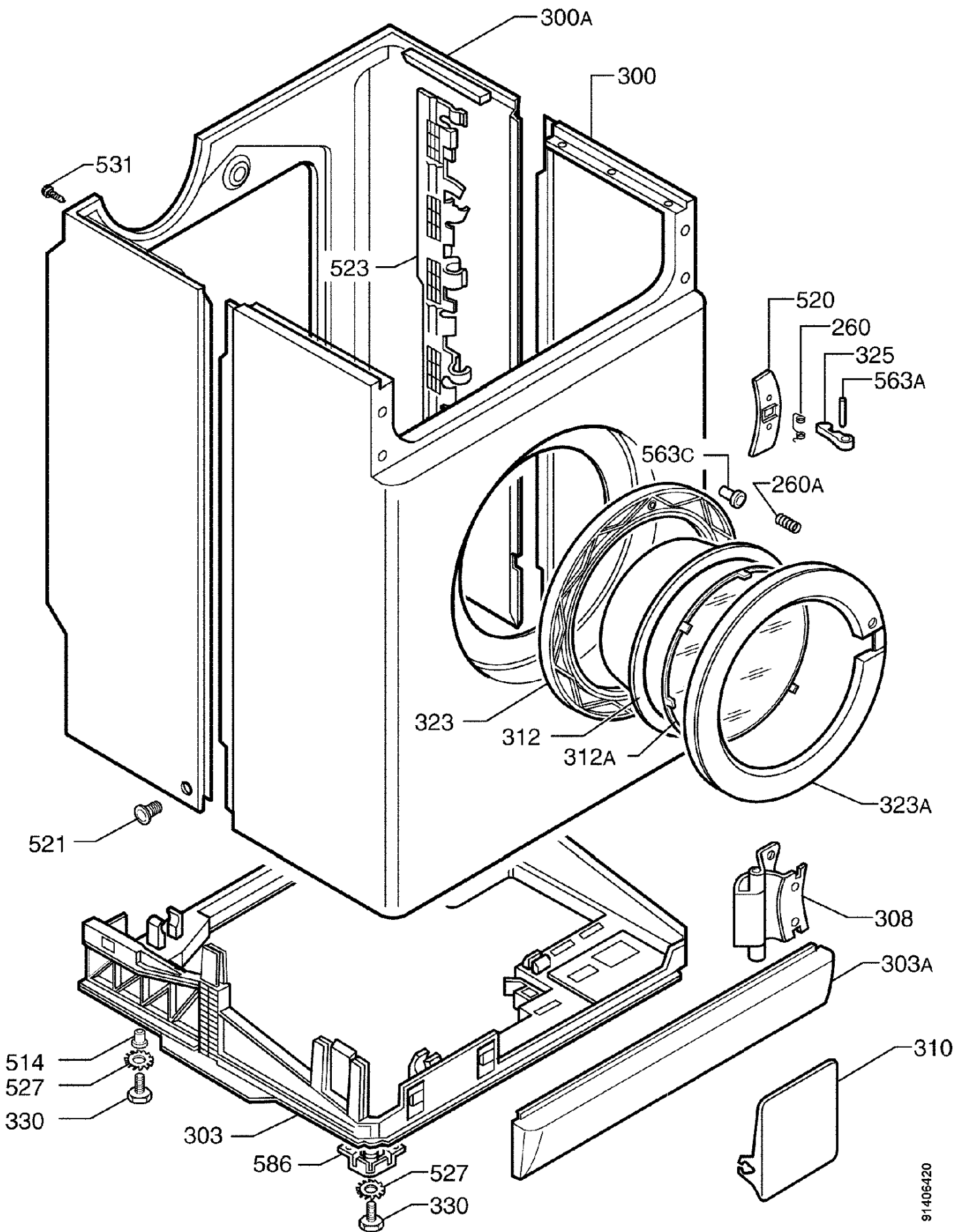


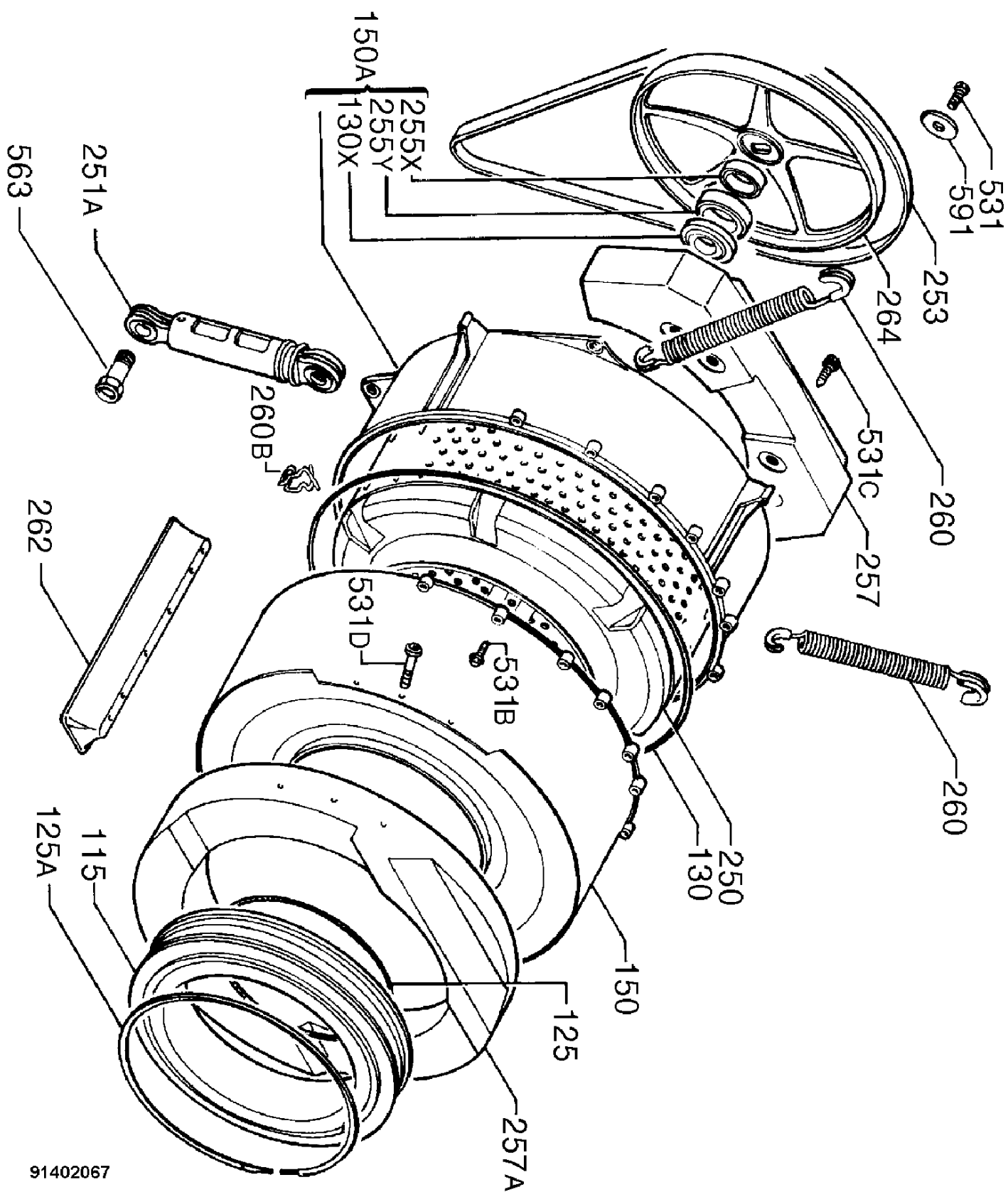
SUPPLIED TOGETHER
* LIVRES ENSEMBLE
* ZUSAMMEN GELIEFERT
* FORNITI INSIEME



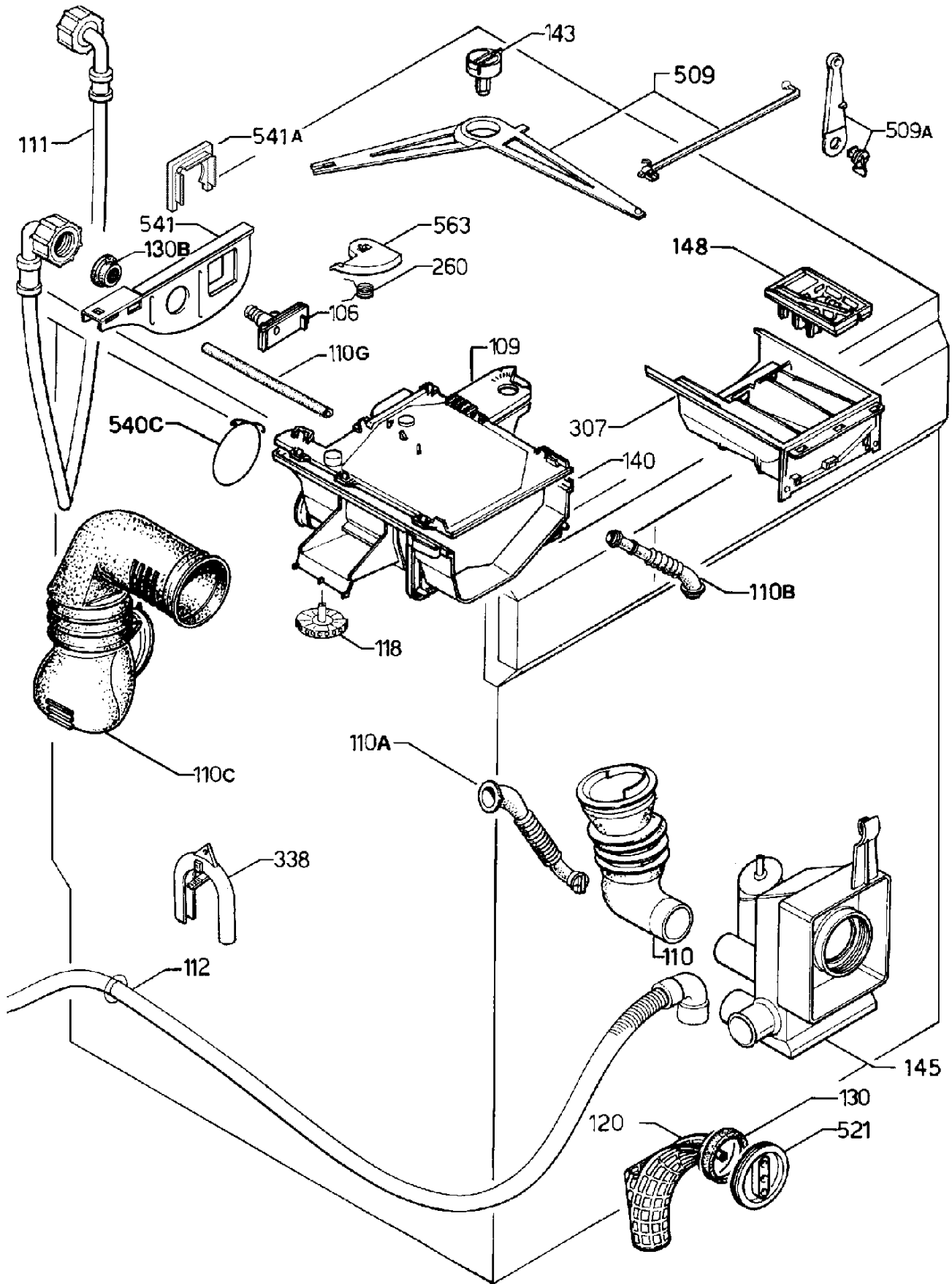
| Pos. | Référence | Désignation |
|-------------|------------------|------------------------|
| 42 | 124763410/6 | DOUILLE DE LAMPE,VERT |
| 260C | 124019100/5 | RESSORT,TOUCHE,HUBLLOT |
| 313 | 124843030/6 | DESSUS |
| 500 | 124796520/3 | BOUTON PROGRAMMATEUR |
| 500A | 124795311/8 | BOUTON THERMOSTAT |
| 502 | 124736800/2 | ECHELLE PROGRAMMATEUR |
| 509 | 124655000/6 | LEVIER,TOUCHE,HUBLLOT |
| 510 | 124788270/5 | BANDEAU |
| 510A | 124796440/4 | PLAQUETTE PROGRAMME |
| 518 | 124655200/2 | CâBLEAU,COMPLET |
| 519 | 124799701/6 | CAME |
| 520 | 124037003/9 | FLASQUE |
| 523 | 124603572/7 | SUPPORT,COMMANDE. |
| 523B | 124655100/4 | SUPPORT,LEVIER |
| 525 | 124736000/9 | BOUTON-POUSSOIR |
| 525B | 124736201/3 | BOUTON-POUSSOIR |
| 525C | 124008110/7 | BOUTON-POUSSOIR |



| Pos. | Référence | Désignation |
|------|--------------|-------------------------------|
| 260 | 124013900/4 | RESSORT |
| 260A | 124067300/2 | RESSORT DU HUBLLOT |
| 300 | 124723137/4 | CAROSSERIE,AVANT |
| 300A | 124777940/6 | ENVELOPPE,POSTERIEURE |
| 303 | 124011317/3 | SOCLE |
| 303A | 124722401/5 | TOLE DE SOCLE |
| 308 | 124013600/0 | CHARNIERE,HUBLLOT |
| 310 | 124275801/7 | PORTILLON,FILTRE |
| 312 | 124020801/5 | HUBLLOT VERRE |
| 312A | 124517802/3 | HUBLLOT PLASTIQUE |
| 323 | 124516903/0 | ANNEAU DE PORTE POSTERIEUR |
| 323A | 124516803/2 | CADRE DE PORTILLON,EXTERIEURE |
| 325 | 124013703/2 | DOIGT VERROUILLAGE |
| 330 | 124696710/1 | PIED,REGULATEUR |
| 514 | 124565910/5 | FIXATION,H=15MM |
| 520 | 124655512/0 | PLAQUE-FIXATION |
| 521 | 124644500/9 | BOUCHON,BLANC,FIXATION |
| 523 | 124658604/2 | SUPPORT,TUYAUX |
| 527 | 124621000/7 | CONTRE-ECROU DE PIED REGLABLE |
| 531 | 5024910800/7 | Vis,4.8x16,torx t20h,50pz. |
| 563A | 124013800/6 | AXE POIGNEE/DOIGT FERMETURE |
| 563C | 124067400/0 | PIVOT |
| 586 | 124000700/3 | EQUERRE,SUPPORT,PIED |
| 999 | 124978530/2 | MODE D' EMPLOI,(FR) |
| 999 | 5022184600/4 | KIT,SERRURE DE TRANSPORT |

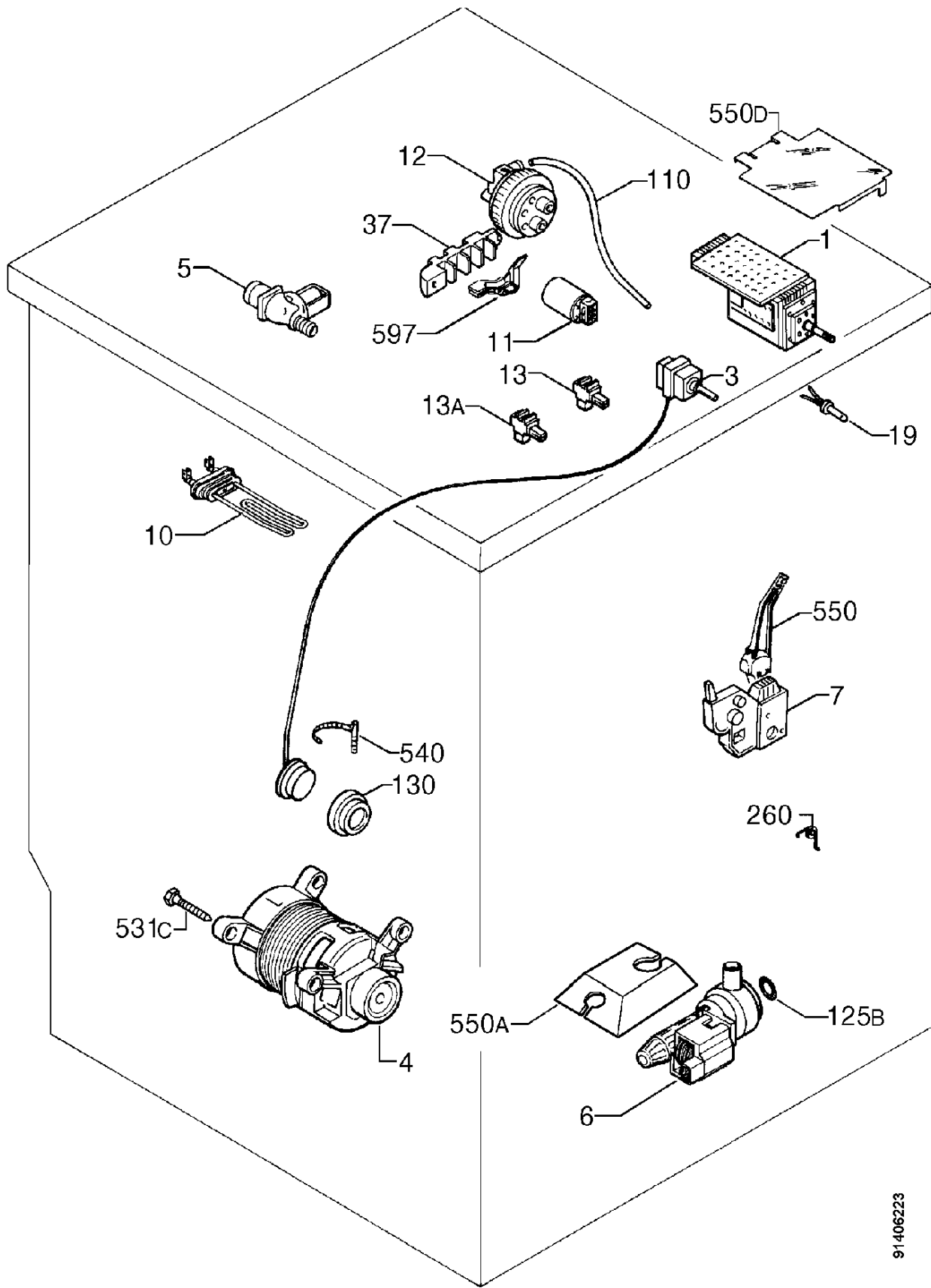


| Pos. | Référence | Désignation |
|------|--------------|---------------------------------|
| 115 | 124016709/6 | MANCHETTE, |
| 125 | 5006876300/7 | ANNEAU, FIXATION |
| 125A | 5009707200/8 | ANNEAU, CARROSSERIE |
| 130 | 124015903/6 | JOINT, CUVE |
| 130X | 5009551500/8 | JOINT, CROISILLON |
| 150 | 124511001/8 | CUVE, AVANT |
| 150A | 5024122300/2 | KIT, CUVE, POSTERIEUR |
| 250 | 124029046/8 | TAMBOUR, INTERIEURE |
| 251A | 124017210/4 | AMORTISSEUR |
| 253 | 124021140/7 | COURROIE, 1287, H8, EL, NOIR |
| 255X | 5006147900/7 | ROULEMENT, 6204, ZZ, 20X47X14 |
| 255Y | 5006140800/6 | ROULEMENT, 6205, ZZ |
| 257 | 124018221/0 | CONTRE POIDS, POSTERIEUR |
| 257A | 5022430600/6 | KIT, CONTRE POIDS, AVANT |
| 260 | 124019501/4 | RESSORT SUSPENSION |
| 260B | 124782500/1 | RESSORT |
| 262 | 124006911/0 | ENTRAINEUR |
| 264 | 124021500/2 | POULIE |
| 531 | 124021810/5 | VIS, POULIE |
| 531B | 124272500/8 | VIS, CUVE, AVANT |
| 531C | 124022300/6 | VIS, LEST AR |
| 531D | 124259901/5 | VIS |
| 563 | 124004100/2 | BOULON DE FIXATION, SHOCK ABSOR |
| 591 | 5009758600/7 | RONDELLE DE FIX, POULIE |
| 999 | 5023996700/8 | ENSEMBLE, CROISILLON, + BOCCOLA |
| 999 | 124022000/2 | VIS, CROISILLON, M8X25.5 |

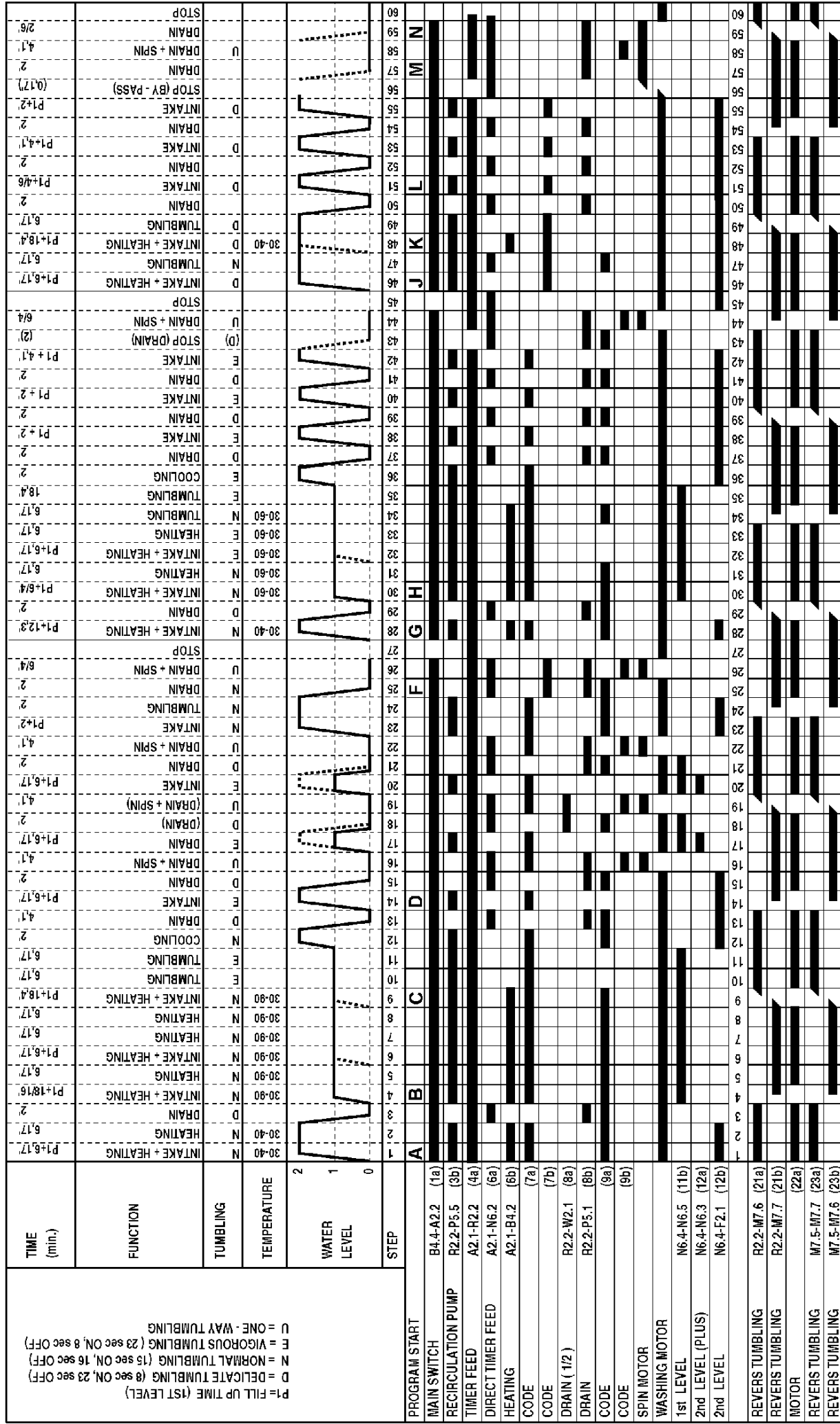


91405141

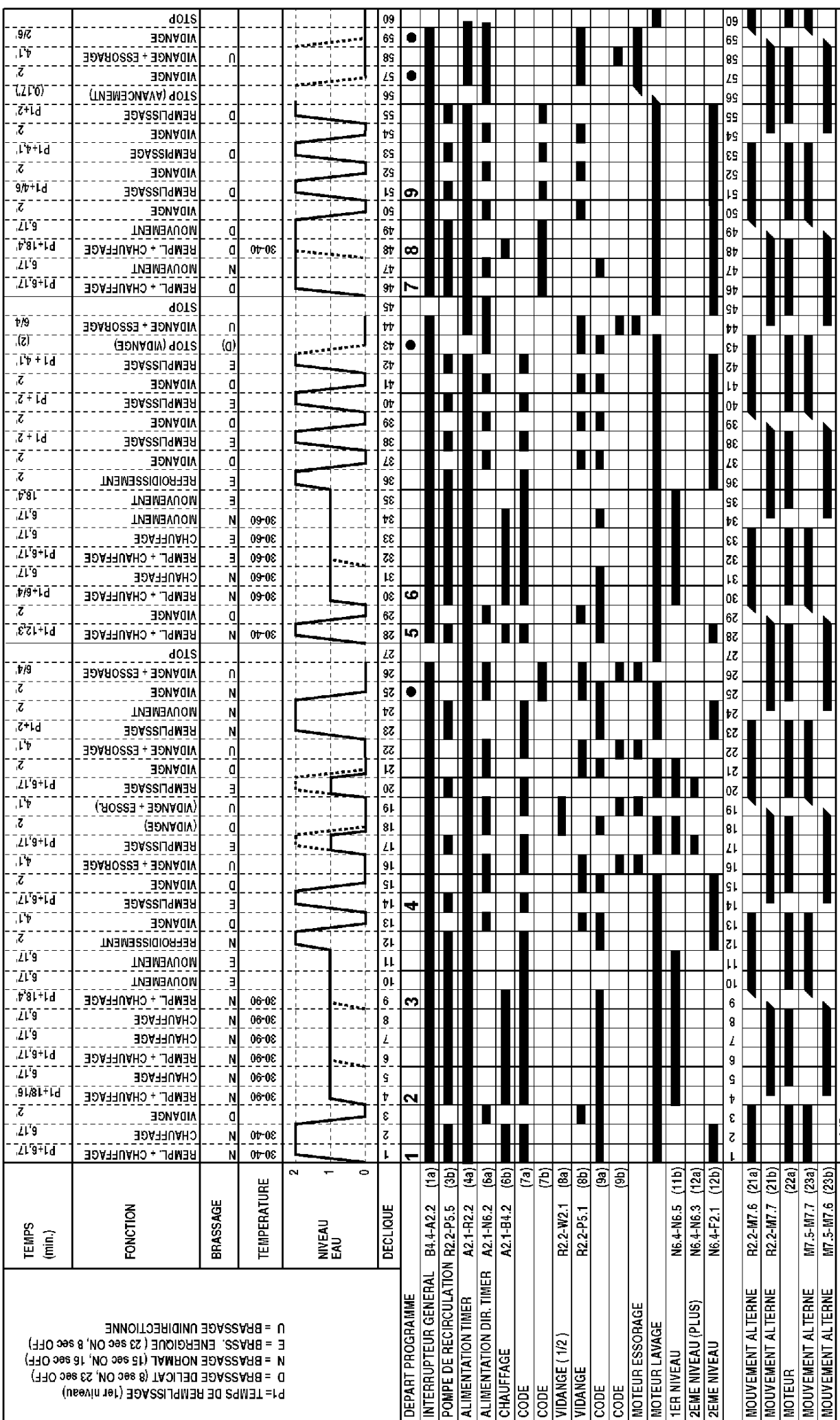
| Pos. | Référence | Désignation |
|------|-------------|---|
| 106 | 124623110/2 | GICLEUR.,ELECTROVANNE |
| 109 | 124624600/1 | EGOUTTOIR,CUVETTE |
| 110 | 124016100/8 | DURITE,CUVE/FILTRE |
| 110A | 124016020/8 | DURITE |
| 110B | 124016210/5 | DURITE |
| 110C | 124660402/7 | DURITE |
| 110G | 124734240/3 | TUYAU FLEXIBLE |
| 111 | 124507820/7 | TUYAU D'ALIMENTATION |
| 112 | 124088110/0 | TUYAU D'EVACUATION,L=2370 |
| 118 | 124624510/2 | DISTRIBUTEUR EAU |
| 120 | 124008802/9 | FILTRE |
| 130 | 124014900/3 | JOINT,FILTRE |
| 130B | 124015100/9 | JOINT,TUYAU ALIMENTATION,BAS |
| 140 | 124623311/6 | CUVETTE,D α TERGENT. |
| 143 | 124010100/4 | REGULATEUR |
| 145 | 124847910/5 | COLLECTEUR,COMPLET |
| 148 | 124624400/6 | SYPHON |
| 260 | 124014800/5 | RESSORT,DISRIBUITEUR EAU |
| 307 | 124624300/8 | TIROIR,D α TERGENT. |
| 338 | 124006610/8 | RACCORD COUDé TUYAU |
| 509 | 124742800/4 | LEVIER,DISTRIBUTEUR EAU |
| 509A | 124004400/6 | LEVIER LECTEUR CAME |
| 521 | 124008610/6 | BOUCHON,FILTRE |
| 540C | 124664600/2 | AGRAFE DE TUBE,D α TERGENT.,D=59 |
| 541 | 124608607/6 | SUPPORT DE TOYAU |
| 541A | 124734103/3 | ANNEAU,ELECTROVANNE |
| 563 | 124004200/0 | PIVOT,DISTRIBUTEUR EAU |



| Pos. | Référence | Désignation |
|------|--------------|--------------------------------|
| 1 | 124752510/6 | TIMER |
| 3 | 124580730/8 | THERMOSTAT REGLABLE |
| 4 | 124701000/0 | MOTEUR,COLLECTEUR |
| 5 | 5023443800/5 | ELECTROVANNE |
| 6 | 124018006/5 | POMPE VIDANGE,ASKOLL |
| 7 | 124655400/8 | RETARDATEUR,HUBLLOT |
| 10 | 124032540/5 | RÉSISTANCE.,V230-W1950 |
| 11 | 124034300/2 | FILTRE ANTIPARASITE |
| 12 | 124732720/6 | PRESSOSTAT,2 NIVEAU,+ |
| 13 | 124540400/7 | INTER.à BOUTON-POUSSOIR,COMMUT |
| 13A | 124540800/8 | INTER.à BOUTON-POUSSOIR,COMMUT |
| 19 | 5024043900/5 | LAMPE SIGNALET |
| 37 | 124020930/2 | BOITE A BORNES |
| 110 | 124017000/9 | TUYAU PRESSOSTAT |
| 125B | 5022174700/4 | ANNEAU,POMPE,D.30MM |
| 130 | 124015203/1 | JOINT,THERMOSTAT |
| 260 | 124694100/7 | RESSORT,APERTURA,PORTE |
| 531C | 124022200/8 | VIS,FIXATION,MOTEUR |
| 540 | 124039400/5 | CIRCLIP BANDE |
| 550 | 124007500/0 | PROTECTION,RETARDATEUR |
| 550A | 124589500/6 | PROTECTION,POMPE VIDANGE |
| 550D | 124247402/9 | PROTECTION,TIMER |
| 597 | 124006200/8 | ARRET |
| 999 | 124110500/4 | CABLAGE |
| 999 | 124115501/7 | Cablage |
| 999 | 124116623/8 | CABLAGE |
| 999 | 124134120/3 | CABLAGE |
| 999 | 124134201/1 | CABLAGE |
| 999 | 124137502/9 | |
| 999 | 124191340/7 | Cablage |
| 999 | 124192301/8 | CABLAGE |
| 999 | 124192400/8 | CABLAGE |
| 999 | 124192500/5 | CABLAGE |
| 999 | 124865700/7 | CABLAGE |
| 999 | 124901210/3 | CABLE ALIMENTATION,3X1X2000 |



6.17 sec. 370 sec.

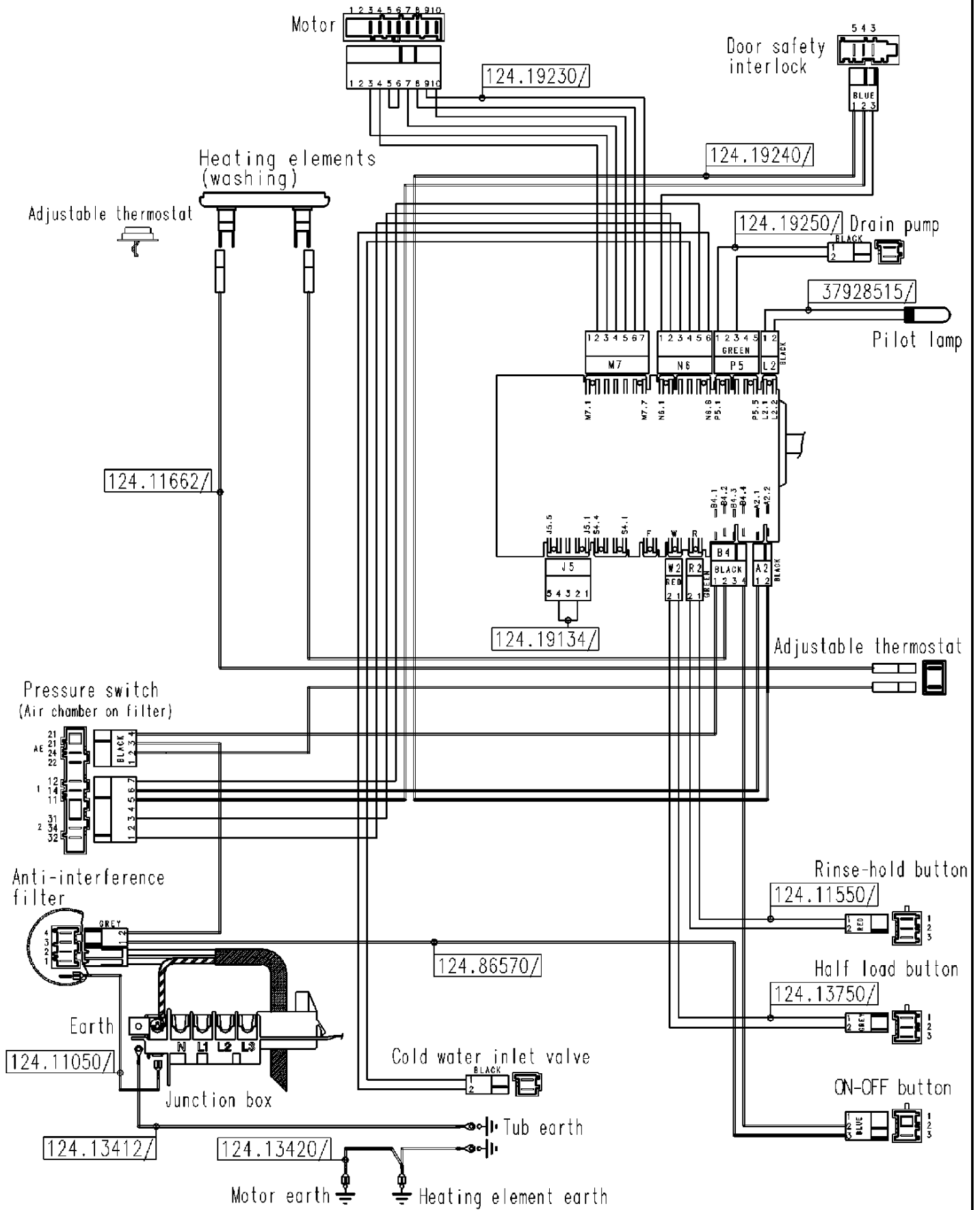


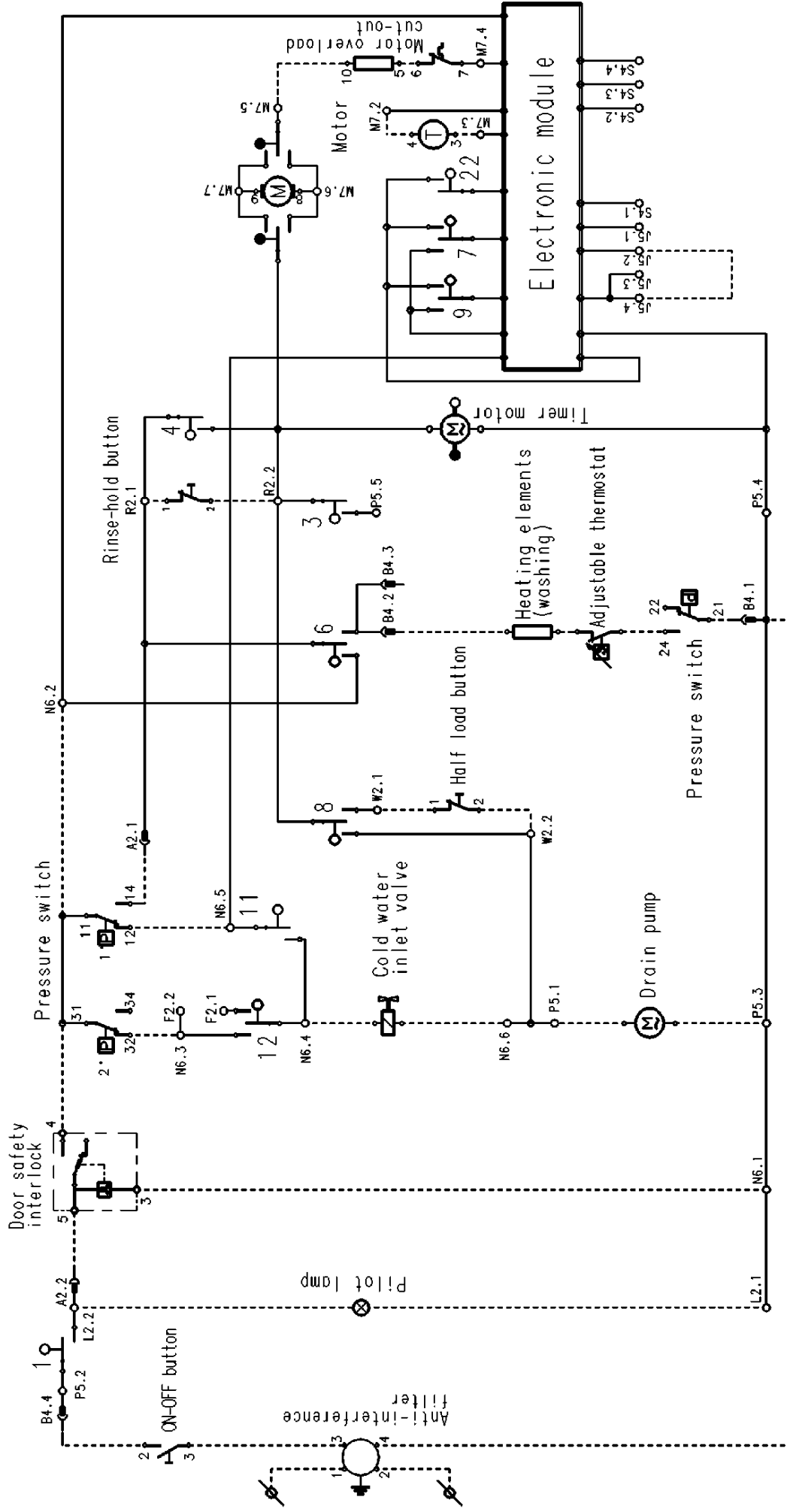
U = BRASSAGE UNIDIRECTIONNE
 E = BRASS. ENERGIE (23 sec ON, 8 sec OFF)
 N = BRASSAGE NORMAL (15 sec ON, 16 sec OFF)
 D = BRASSAGE DELAT (8 sec ON, 23 sec OFF)
 P1= TEMPS DE REMPLISSAGE (1er niveau)

DEPART PROGRAMME
 INTERRUPTEUR GENERAL B4-A2.2 (1a)
 POMPE DE RECIRCULATION R2.2-P5.5 (3b)
 ALIMENTATION TIMER A2.1-R2.2 (4a)
 ALIMENTATION DIR. TIMER A2.1-N6.2 (6a)
 CHAUFFAGE A2.1-B4.2 (6b)
 CODE (7a)
 CODE (7b)
 VIDANGE (1/2) R2.2-W2.1 (8a)
 VIDANGE R2.2-P5.1 (8b)
 CODE (9a)
 CODE (9b)
 MOTEUR ESSORAGE
 MOTEUR LAVAGE
 1ER NIVEAU N6.4-N6.5 (11b)
 2EME NIVEAU (PLUS) N6.4-N6.3 (12a)
 2EME NIVEAU N6.4-F2.1 (12b)
 MOUVEMENT AL TERNE R2.2-M7.6 (21a)
 MOUVEMENT AL TERNE R2.2-M7.7 (21b)
 MOTEUR (22a)
 MOUVEMENT AL TERNE M7.5-M7.7 (23a)
 MOUVEMENT AL TERNE M7.5-M7.6 (23b)

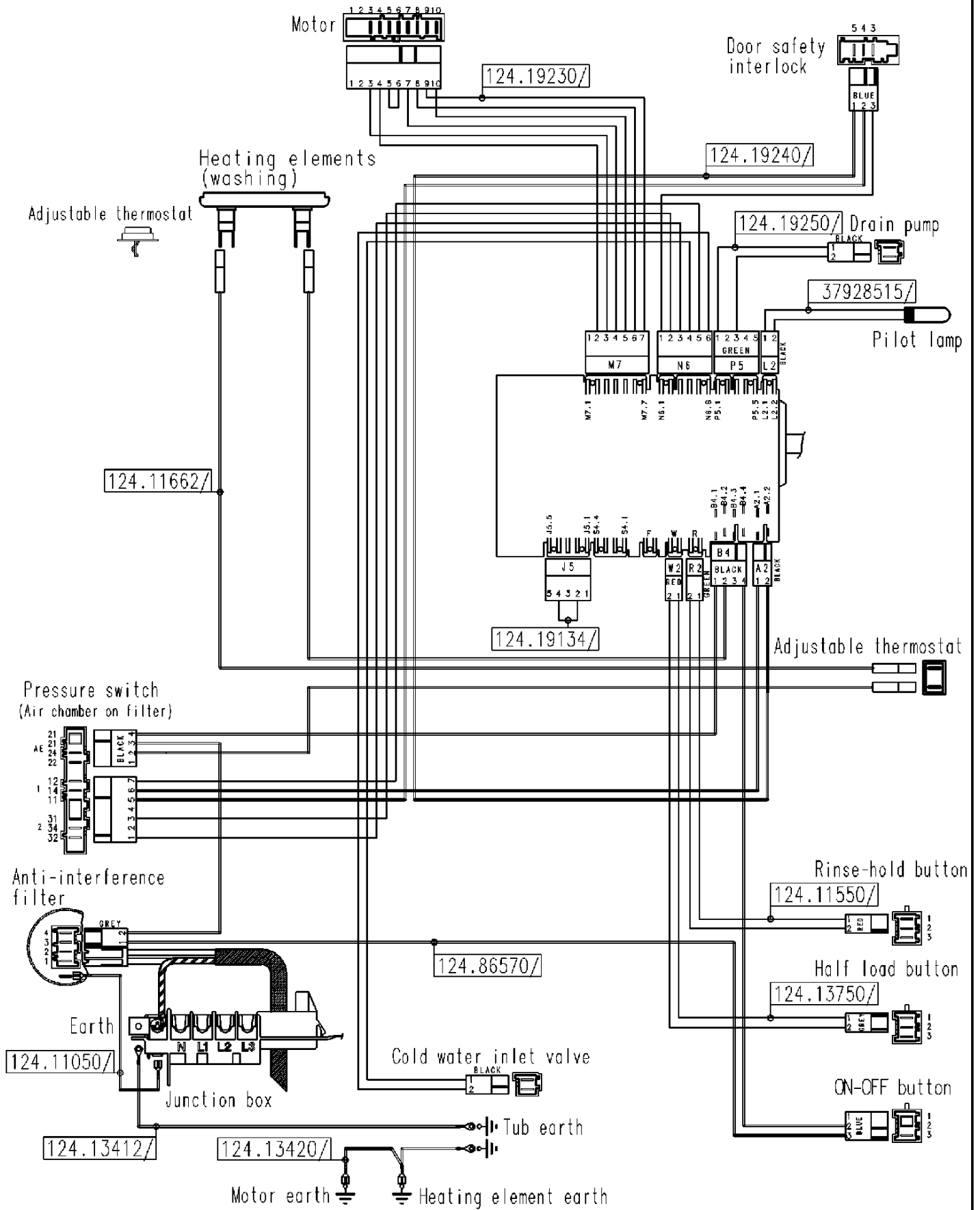
370 sec.
 6.17 sec.

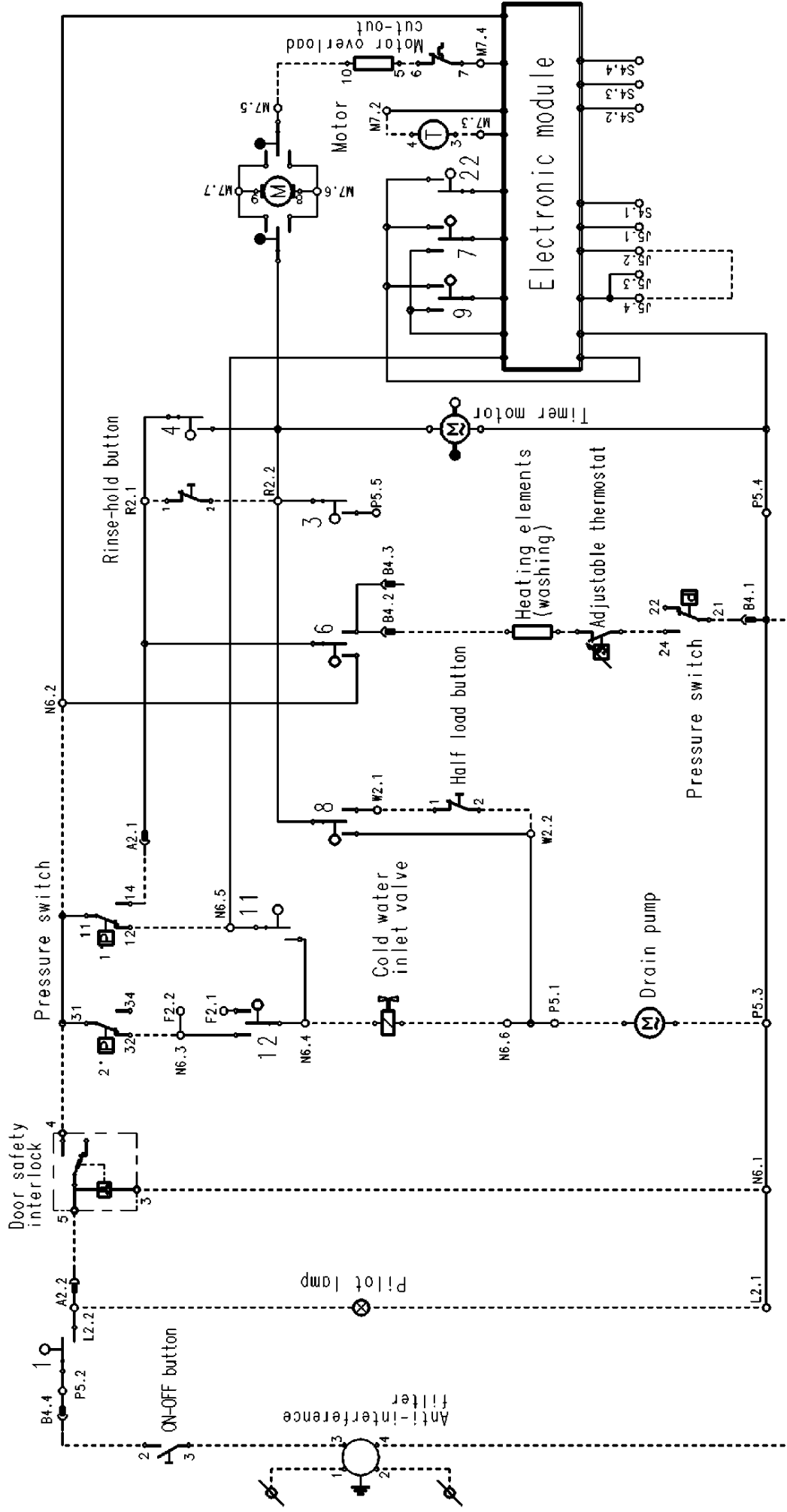
124 752501-124 752512-124 752521.FR
 124 752502al.FR





| | | | |
|---------------------------|--------------------------------|-----------------------------------|----------------------------|
| Adjustable thermostat | Termostato regolabile | Thermostat réglable | Einstellbarer Thermostat |
| Air chamber on filter | Presse pressione sul filtro | Chambre prise d'air sur le filtre | Luftkammer auf dem Filter |
| Anti-interference filter | Gruppo antidisturbo | Element antiparasite | Funkentstörfilter |
| Cold water inlet valve | Elettrovalvola acqua fredda | Electrovanne eau froide | Kaltwasser-Ventil |
| Door safety interlock | Dispositivo di sicurezza porta | Dispositif de sécurité porte | Türsicherheits-Vorrichtung |
| Drain pump | Pompa scarico | Pompe d'évacuation | Ablaufpumpe |
| Earth | Presse terra generale | Terre générale | Erdung |
| Electronic module | Modulo elettronico | Module électronique | Elektronischer Modul |
| Half load button | Tasto mezzo carico | Touche demi-charge | Taste für halbe Füllmenge |
| Heating element earth | Terra resistenza | Terre élément chauffant | Erdung, Heizelement |
| Heating element (washing) | Resistenza lavaggio | Thermoplongeur | Heizelement (Waschen) |
| Junction box | Scatola terminali | Bornes de connexion | Klemmleiste |
| Motor | Motore | Moteur | Motor |
| Motor earth | Terra motore | Terre moteur | Erdung, Motor |
| Motor overload cut-out | Protettore motore | Coupe-circuit moteur | Motorschutz |
| ON/OFF button | Tasto avviamento/arresto | Touche marche/arrêt | Ein/Aus-Taste |
| Pilot lamp | Lampada spia | Lampe-témoin | Kontrolllampe |
| Pressure switch | Pressostato | Pressostat | Druckregler |
| Rinse-hold button | Tasto non scarico | Touche arrêt cuve pleine d'eau | Taste für Spülstop |
| Timer motor | Motorino timer | Moteur sélecteur progr. | P.G.S. Motor |
| Tub earth | Terra vasca | Terre cuve | Erdung, Battich |
| Blue | Blu | Bleu | Blau |
| Violet | Viola | Violet | Violett |
| Brown | Marrone | Marron | Braun |
| Grey | Grigio | Gris | Grau |
| Black | Nero | Noir | Schwarz |
| Red | Rosso | Rouge | Rot |
| Green | Verde | Vert | Grün |
| Green-yellow | Giallo-verde | Jaune-vert | Grün-gelb |
| | | | 124 954070a |





Wiring diagram of the washing machine control system.