

## Spare part list

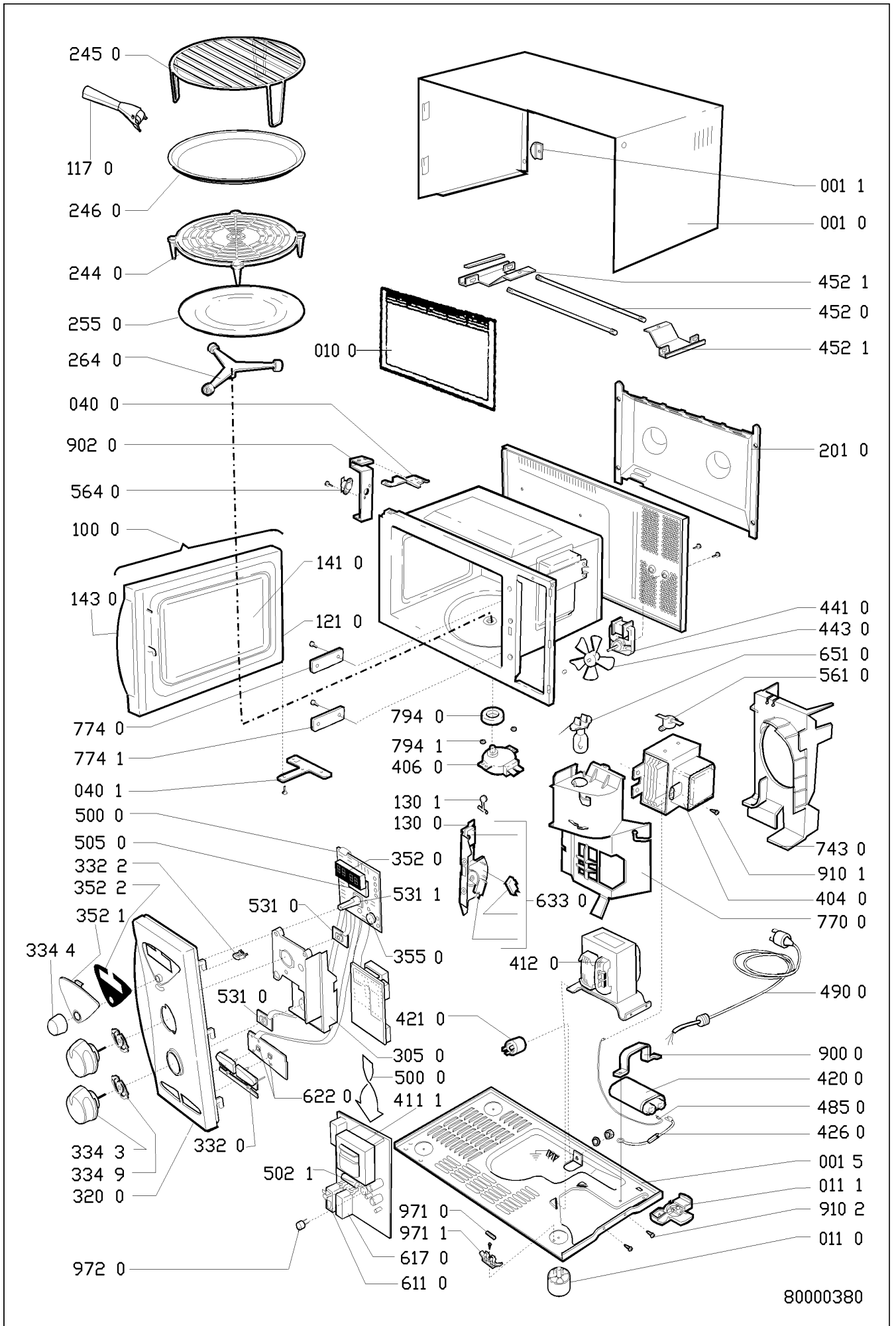
**Model**  
**Service No.**  
**Version**

**AVM 686 IX**  
**853868601792**  
**853868601792**

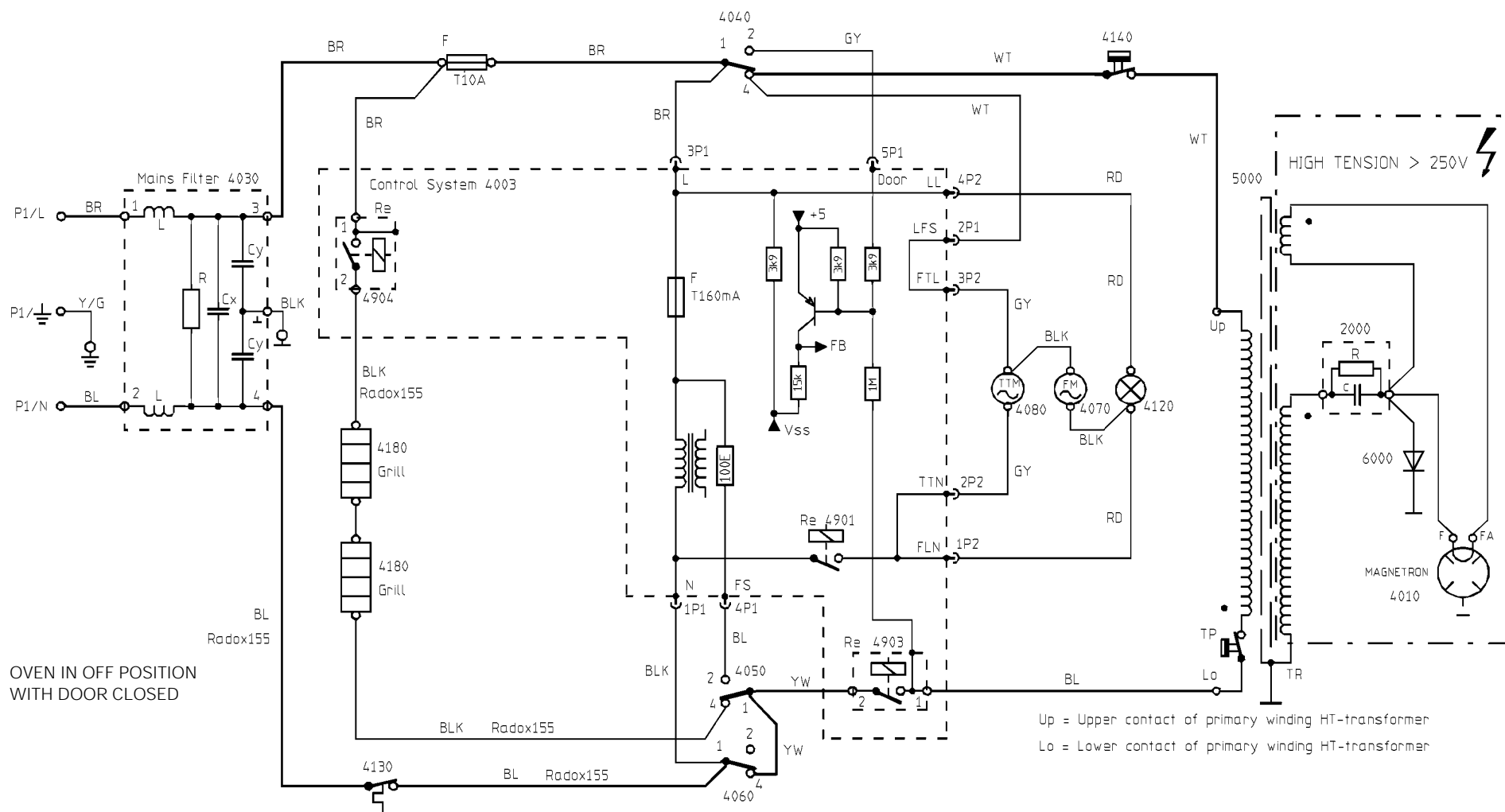
Pos. No.	12NC Code	Description
001 0	<b>4819 440 59471</b>	Cabinet BL
001 1	<b>4819 466 98741</b>	Spacebar
001 5	<b>4819 462 79937</b>	Plate Bottom
010 0	<b>4812 310 38549</b>	Kit built in Inox
011 0	<b>4819 462 79423</b>	Foot
011 1	<b>4819 462 79938</b>	Foot right back
040 0	<b>4819 417 19514</b>	Hinge,upper
040 1	<b>4819 417 19248</b>	Hinge,lower
100 0	<b>4812 442 28077</b>	Door cpl.
117 0	<b>4819 498 78366</b>	Handle for crisp plate
121 0	<b>4819 459 48654</b>	Door frame inner
130 0	<b>4819 271 38148</b>	Unit,pushbutton
130 1	<b>4819 404 78492</b>	Lever for microswitch
141 0	<b>4819 450 58113</b>	Oven glass
143 0	<b>4812 459 48041</b>	Frame
201 0	<b>4819 442 39476</b>	Panel, rear
244 0	<b>4819 466 98731</b>	Stand optional
245 0	<b>4812 466 78375</b>	Grill grid
246 0	<b>4819 310 18539</b>	Crisp plate VIP20
255 0	<b>4819 466 78218</b>	Turntable glass
264 0	<b>4819 535 78156</b>	Crosspiece
305 0	<b>4819 442 38717</b>	Holder
320 0	<b>4812 453 59326</b>	Panel,control Inox
332 0	<b>4819 410 29001</b>	Button BL
332 2	<b>4819 410 29002</b>	Button clock set BL
334 3	<b>4812 410 28769</b>	Knob feature/power
334 4	<b>4819 412 58671</b>	Knob timer BL
334 9	<b>4819 492 68796</b>	Spring
352 0	<b>4819 130 38081</b>	Display
352 1	<b>4819 450 58107</b>	Glass panel display
352 2	<b>4819 466 99101</b>	Protector
355 0	<b>4819 280 18034</b>	Buzzer
404 0	<b>4819 131 58019</b>	Magnetron
406 0	<b>4812 361 18262</b>	Motor Turntable
411 1	<b>4819 148 68085</b>	Transformer
412 0	<b>4819 145 78197</b>	Transformer,HT
420 0	<b>4819 121 38013</b>	Capacitor,HT 1,15 $\mu$ F 2100V
421 0	<b>4819 121 18197</b>	Filter mains
426 0	<b>4819 218 38038</b>	Diode HV
441 0	<b>4819 361 18313</b>	Motor fan
443 0	<b>4819 310 39025</b>	Fan wheel
452 0	<b>4819 259 98445</b>	Tube,heating quartz
452 1	<b>4819 404 78511</b>	Bracket right
485 0	<b>4819 320 28037</b>	Cable,HT
490 0	<b>4819 321 18136</b>	Cable,mains 2m SA
500 0	<b>4819 214 78696</b>	Control unit
502 1	<b>4819 113 88001</b>	Resistor 100 Ohm
505 0	<b>4819 209 88069</b>	Microprocessor
531 0	<b>4819 101 48148</b>	Potentiometer
531 1	<b>4819 101 48142</b>	Potentiometer
561 0	<b>4812 282 28261</b>	Thermostat magnetron
564 0	<b>4819 282 28725</b>	Thermostat 165 °C
611 0	<b>4819 280 68321</b>	Relay
617 0	<b>4819 280 68363</b>	Relay 24V DC
622 0	<b>4819 276 18273</b>	Switch VKS

Pos. No.	12NC Code	Description
633 0	<b>4819 276 18336</b>	Switch, door
651 0	<b>4819 134 88199</b>	Lamp oven
743 0	<b>4819 462 38841</b>	Air guide ventilation
770 0	<b>4819 462 38839</b>	Air guide magnetron
774 0	<b>4819 440 59444</b>	Plate,upper mica plate
774 1	<b>4819 442 38357</b>	Plate ,lower mica plate
794 0	<b>4819 532 68686</b>	Gasket ring for TT
794 1	<b>4819 502 18372</b>	Screw for TT-Motor
900 0	<b>4819 404 79272</b>	Holder for capacitor
902 0	<b>4819 404 78493</b>	Bracket
910 1	<b>4819 502 18499</b>	Screw
910 2	<b>4819 502 38274</b>	Screw for trafo M4x16St
971 0	<b>4819 252 28125</b>	Fuse T10A
971 1	<b>4819 256 38016</b>	Bracket for fuse
972 0	<b>4819 252 28132</b>	Fuse T160mA

**Exploded view**



**Wiring diagram**



OVEN IN OFF POSITION  
 WITH DOOR CLOSED

Up = Upper contact of primary winding HT-transformer  
 Lo = Lower contact of primary winding HT-transformer

- |                           |                            |                  |
|---------------------------|----------------------------|------------------|
| 4003 Control system       | 4120 Oven lamp             | BL Blue          |
| 4010 Magnetron            | 4130 Thermostat cavity     | BLK Black        |
| 4030 Mainsfilter          | 4140 Thermostat magnetron  | BR Brown         |
| 4040 Secondary doorswitch | 4180 Heating element grill | GY Grey          |
| 4050 Monitor doorswitch   | 2000 HT capacitor          | RD Red           |
| 4060 Primary doorswitch   | 5000 HT transformer        | WT White         |
| 4070 Motor fan            | 6000 HT diode              | YW Yellow        |
| 4080 Motor turntable      |                            | Y/G Yellow-Green |

8538 426 20292