

9.2 EXTERIOR (1)

A

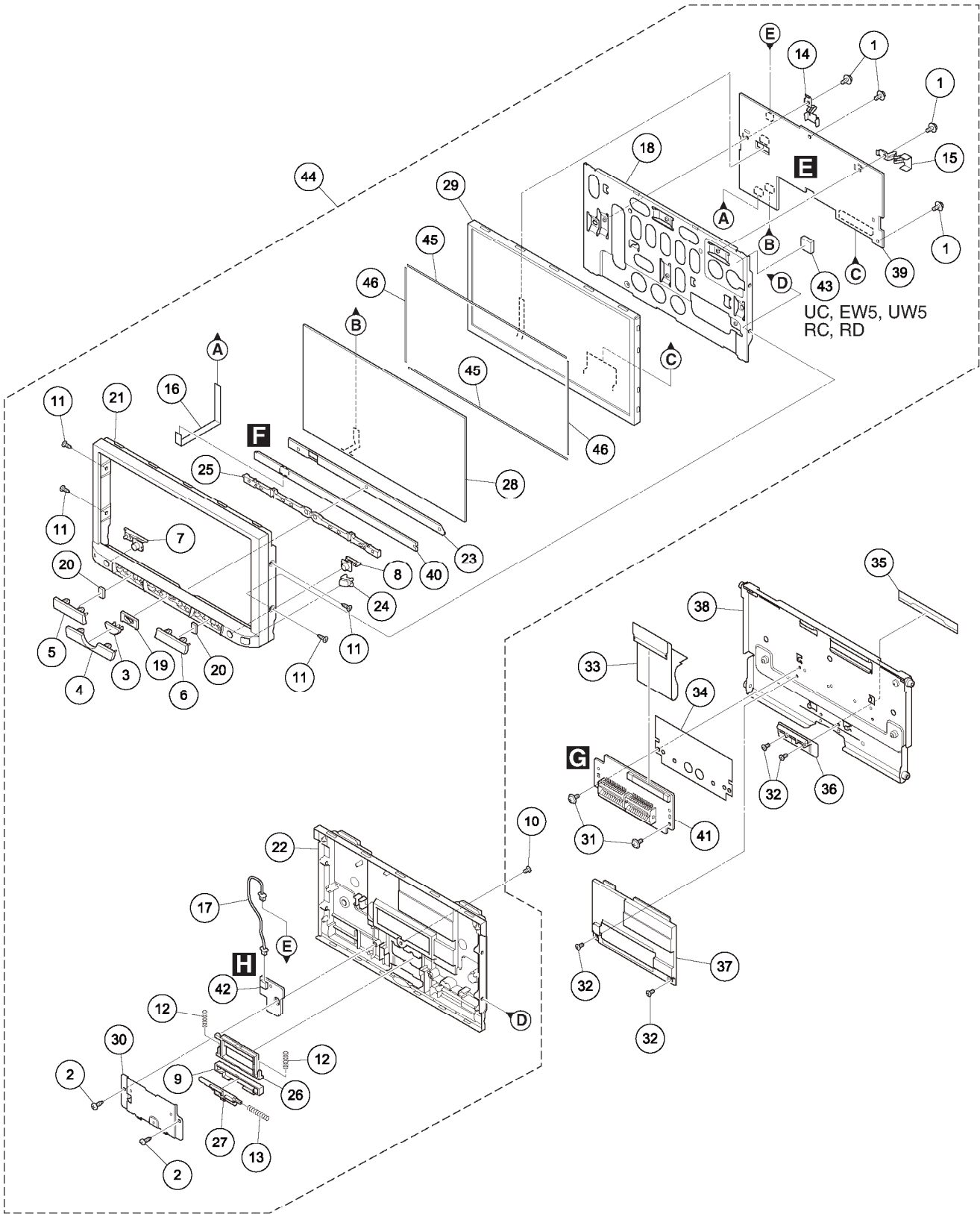
B

C

D

E

F



(1) EXTERIOR (1) SECTION PARTS LIST

<u>Mark No.</u>	<u>Description</u>	<u>Part No.</u>	<u>Mark No.</u>	<u>Description</u>	<u>Part No.</u>
1	Screw	AMZ20P030FTC	26	Lever	CNW2422
2	Screw	BPZ20P060FTC	27	Lever	CNW2423
3	Button (HOME)	CAI3737	28	Touch Panel	CSX1194
4	Button (MUTE, MODE)	CAI3738	29	TFT LCD	CWX4182
5	Button (VOL)	CAI3739	30	Holder Unit	CXE4883
6	Button (TRK)	CAI3740	31	Screw	AMZ20P030FTC
7	Button (SRC, OFF)	CAI3741	32	Screw (M2 x 3)	CBA1877
8	Button (EJECT)	CAI3742	33	FFC	CDE9561
9	Button (DETACH)	CAI3743	34	Insulator	CNN3890
10	Screw (M2 x 3)	CBA1877	35	Cover	CNN4167
11	Screw	CBA2132	36	Holder	CNW2424
12	Coil Spring	CBH3099	37	Cover	CNW2425
13	Coil Spring	CBH3100	38	Case Unit	CXE4884
14	Plate Spring	CBL1832	39	Monitor Unit (Service)	YXX5128
15	Plate Spring	CBL1833	40	Key Unit (Service)	YXX5126
16	FFC	CDE9393	41	Case Unit (Service)	YXX5127
17	Cable Harness	CDE9563	42	SW Unit (Service)	YXX5129
18	Holder	CND6398	43	Gasket	See Contrast table(2)
19	Cushion	CNN3888	44	Detach Unit (Service)	See Contrast table(2)
20	Cushion	CNN3889	45	Cushion	CNN4271
21	Grille	See Contrast table(2)	46	Cushion	CNN4272
22	Cover	CNU1825			
23	Spacer	CNW2111			
24	Lighting Conductor	CNW2420			
25	Lighting Conductor	CNW2421			

(2) CONTRAST TABLE

AVH-X8500BHS/XNUC, AVH-X8500BT/XNEW5, AVH-X8500BT/XNUW5, AVH-X8550BT/XNRC, AVH-X8550BT/XNRD, AVH-X8550BT/XNRI and AVH-X8590BT/XNID are constructed the same except for the following:

Mark	No.	Description	AVH-X8500BHS /XNUC	AVH-X8500BT /XNEW5	AVH-X8500BT /XNUW5	AVH-X8550BT /XNRC
	21	Grille	YNS5726	YNS5727	YNS5727	YNS5728
	43	Gasket	CNN2529	CNN2529	CNN2529	CNN2529
	44	Detach Unit (Service)	YXX5132	YXX5130	YXX5131	YXX5133

Mark	No.	Description	AVH-X8550BT /XNRD	AVH-X8550BT /XNRI	AVH-X8590BT /XNID
	21	Grille	YNS5728	YNS5728	YNS5729
	43	Gasket	CNN2529	Not used	Not used
	44	Detach Unit (Service)	YXX5133	YXX5134	YXX5135

9.3 EXTERIOR (2)

