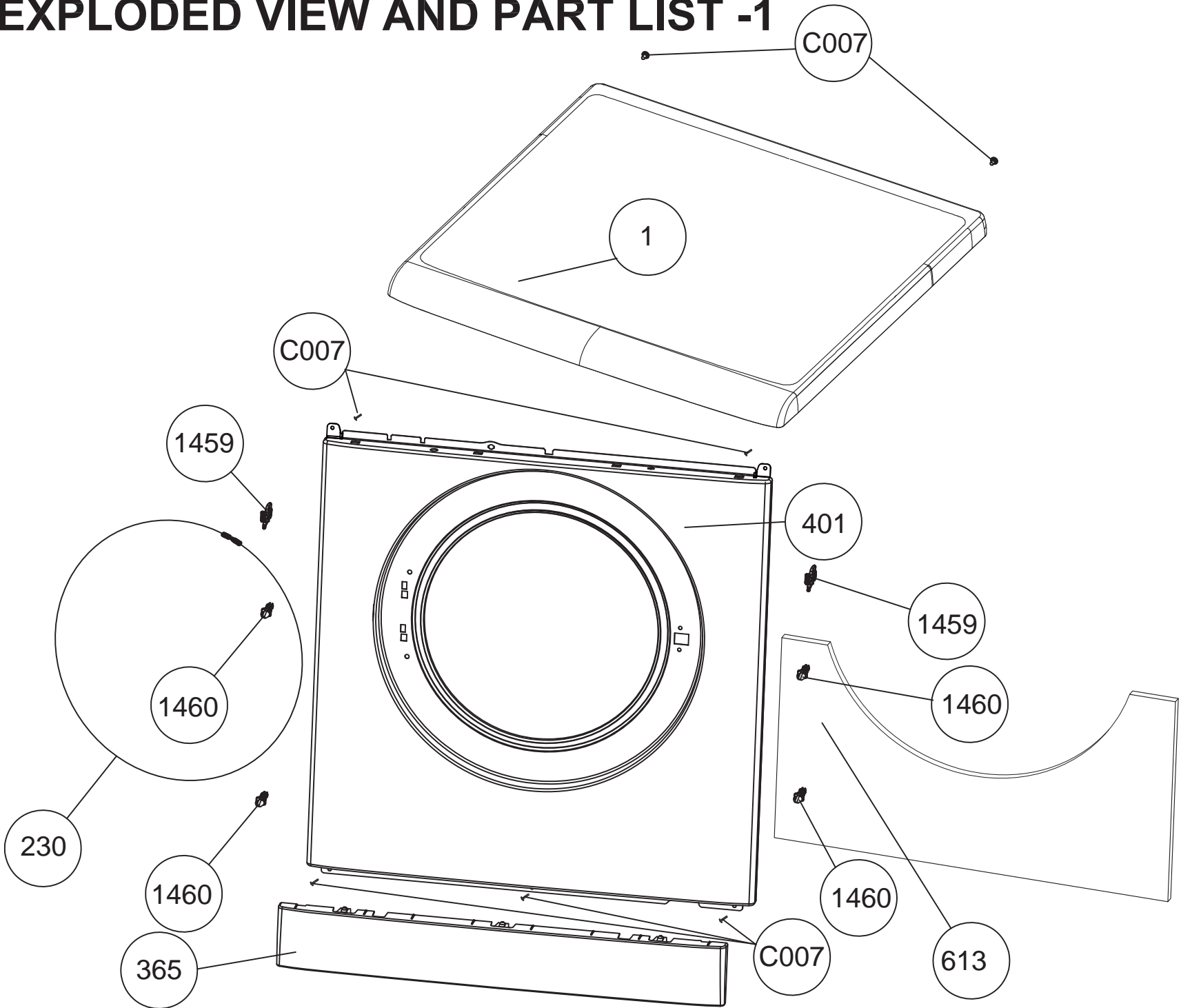
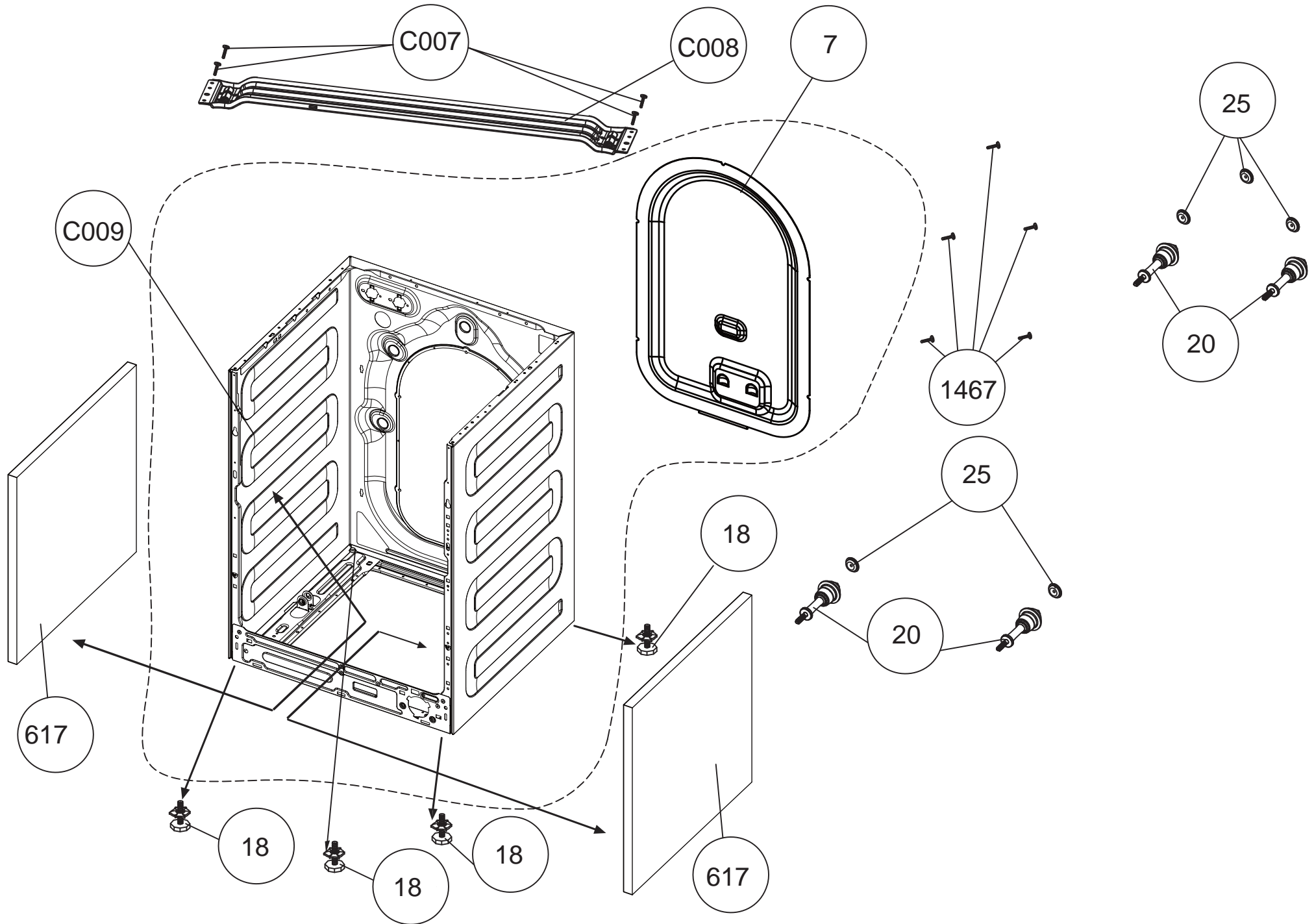


# EXPLODED VIEW AND PART LIST -1

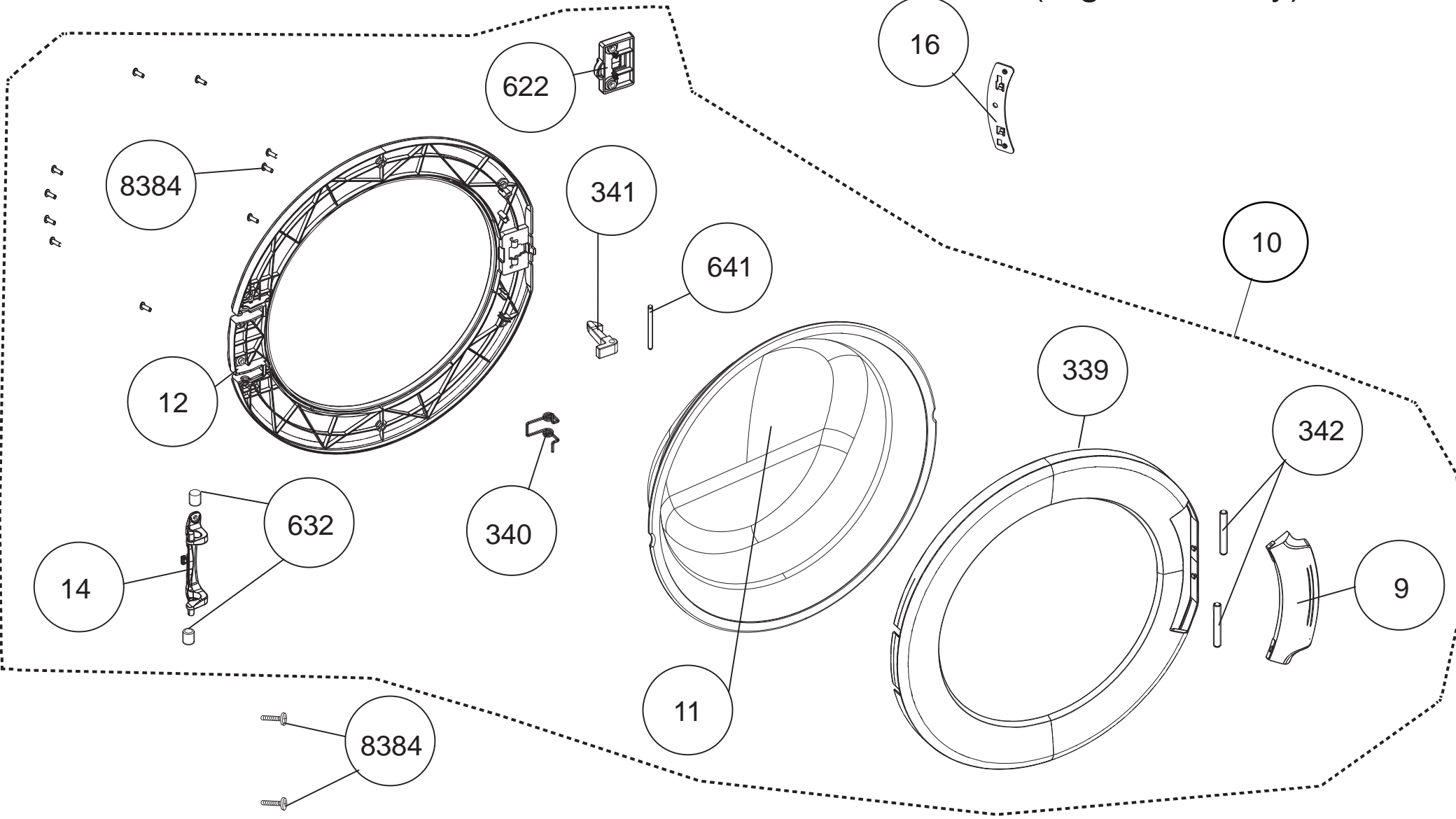


# EXPLODED VIEW AND PART LIST -2



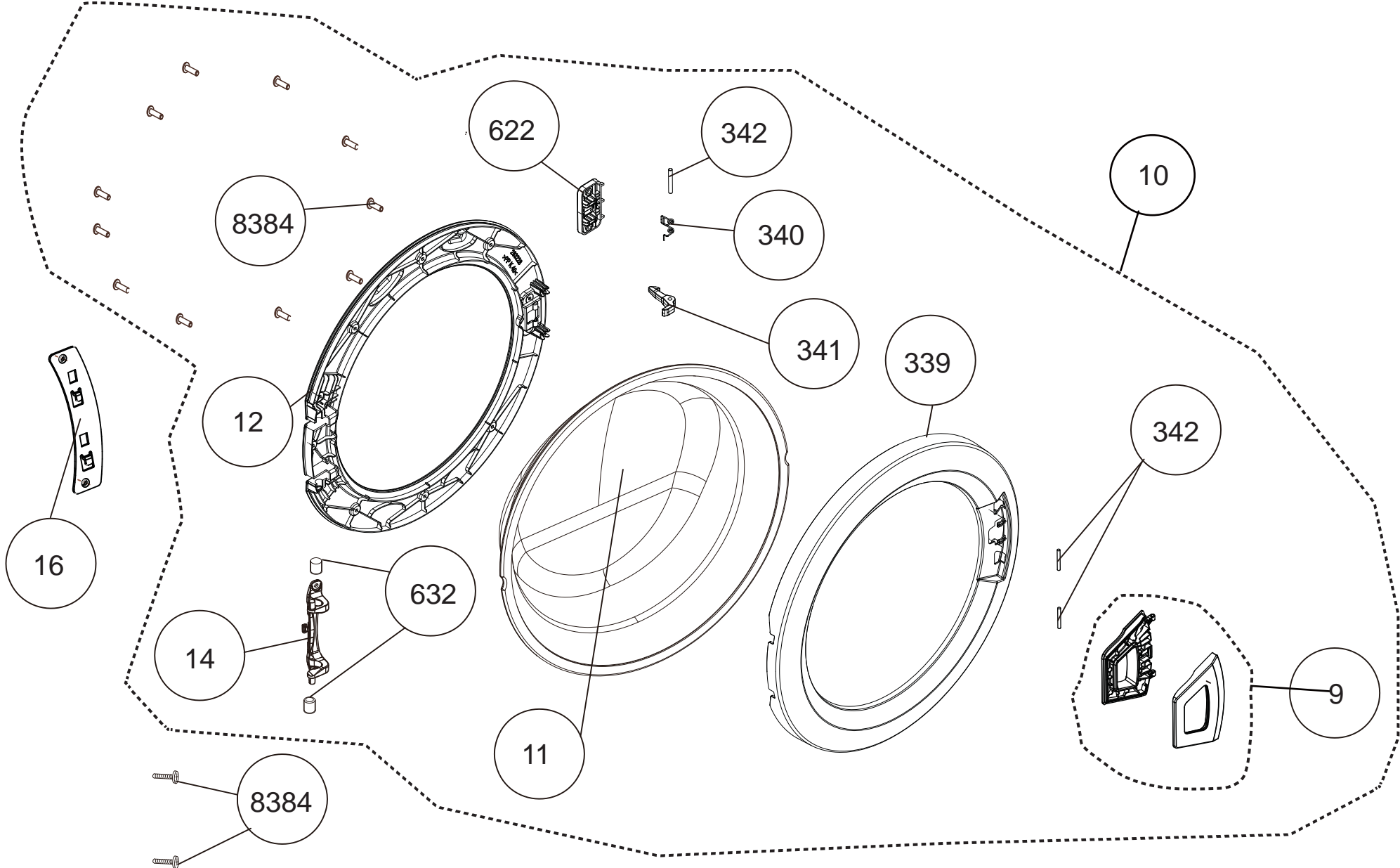
# EXPLODED VIEW AND PART LIST -3

(Big Door Assy)

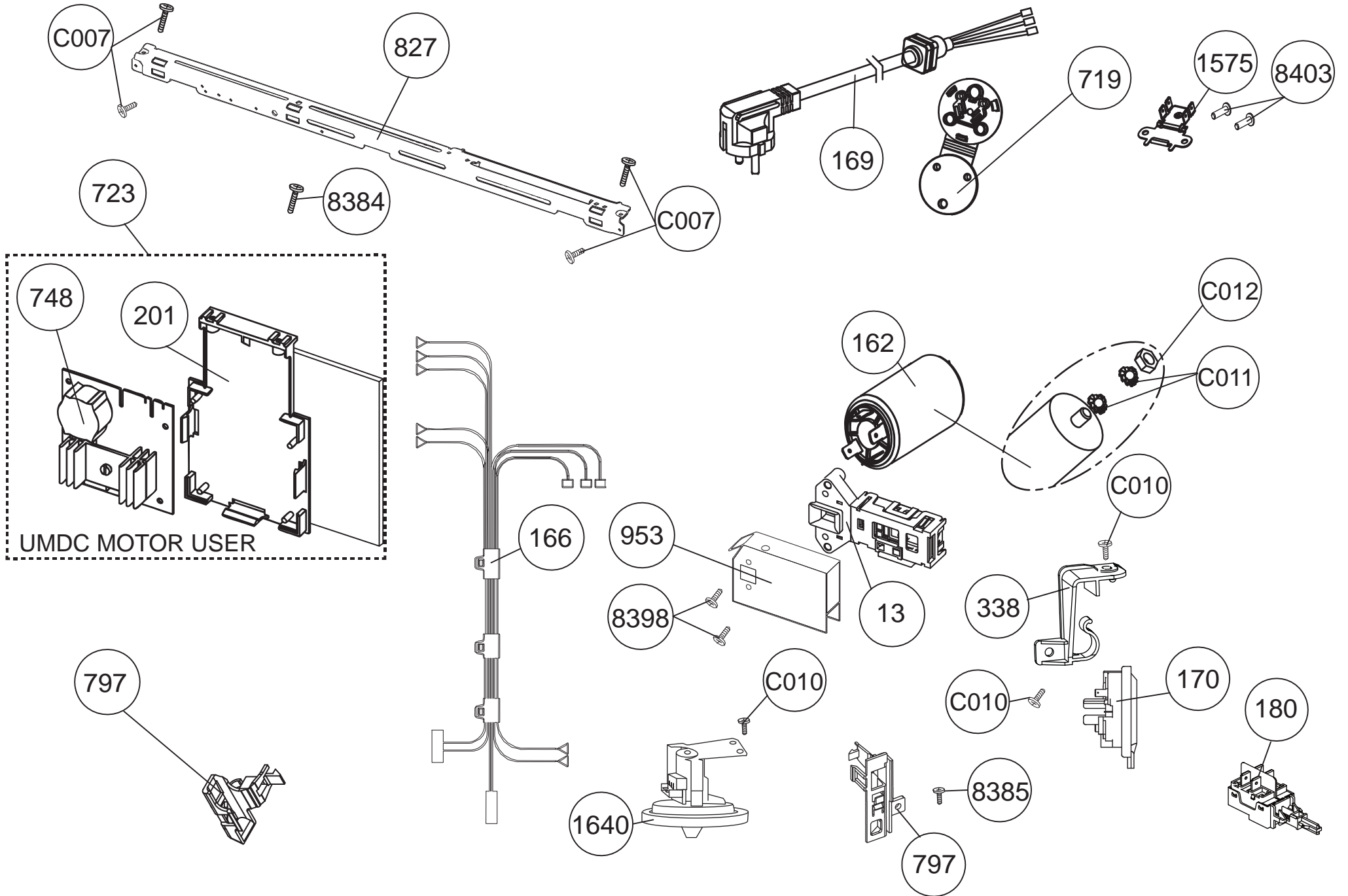


# EXPLODED VIEW AND PART LIST -3

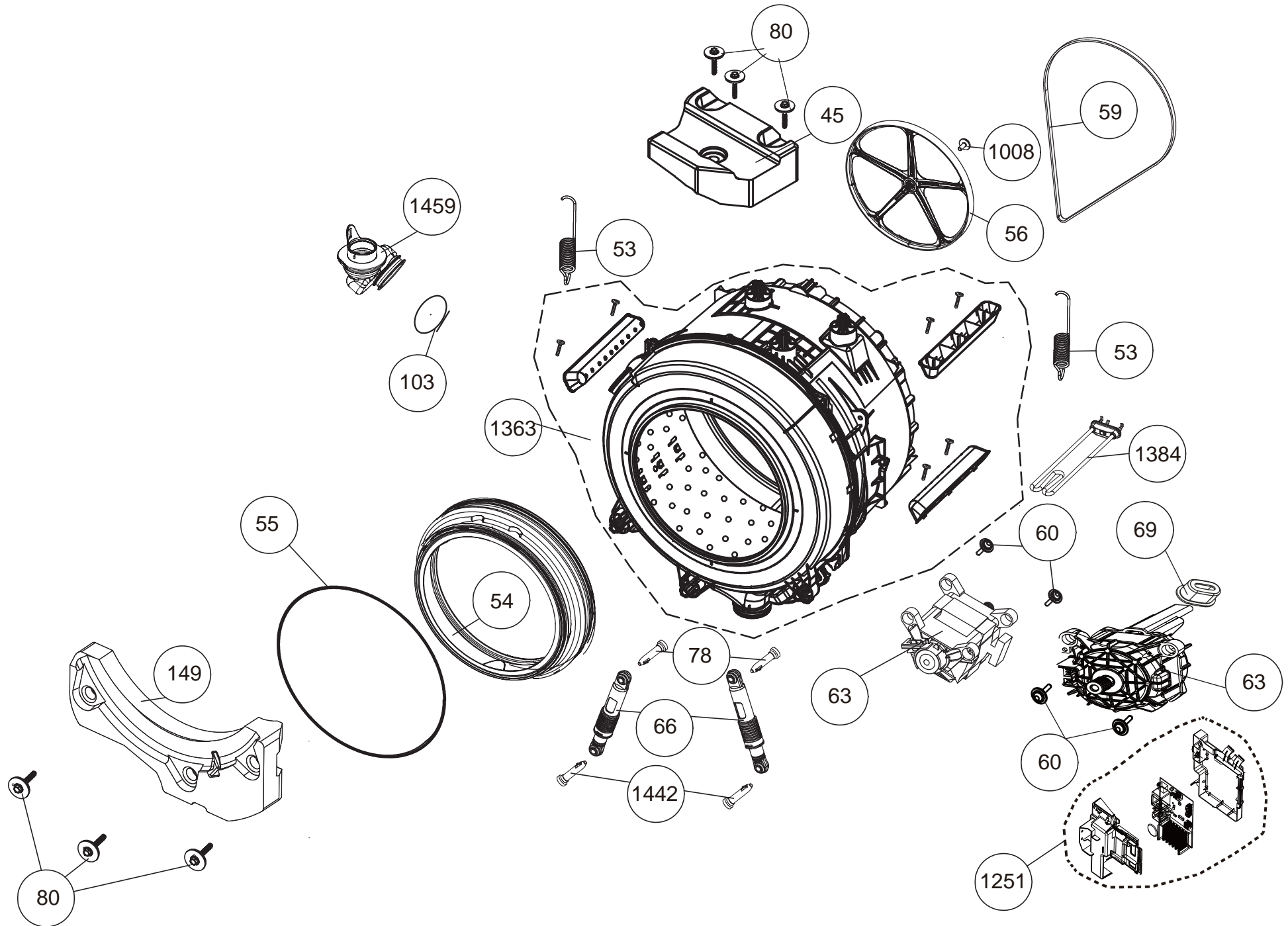
(F2 Door Assy)



# EXPLODED VIEW AND PART LIST -4

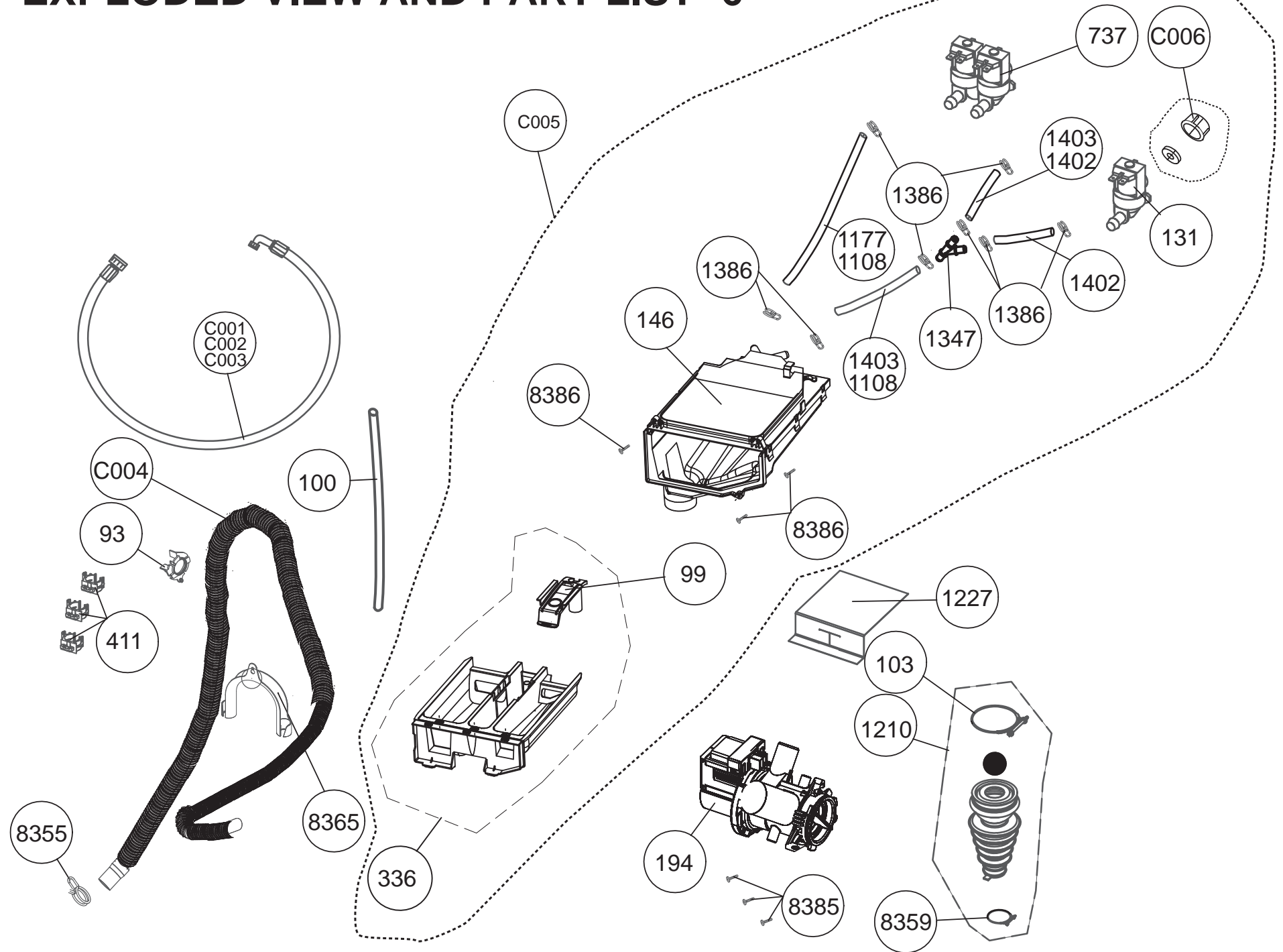


# EXPLODED VIEW AND PART LIST -5

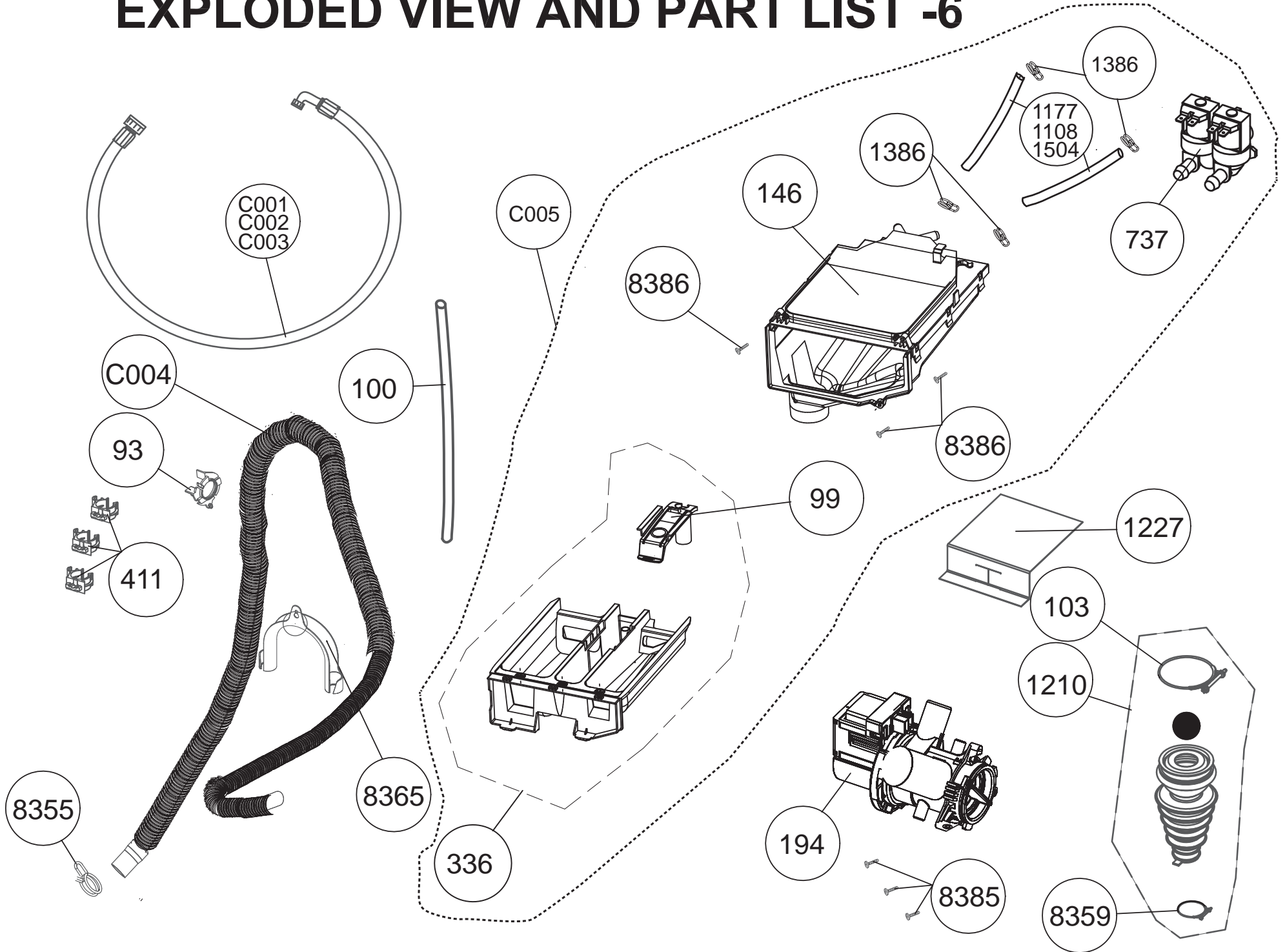




# EXPLODED VIEW AND PART LIST -6



# EXPLODED VIEW AND PART LIST -6





# EXPLODED VIEW AND PART LIST -7

