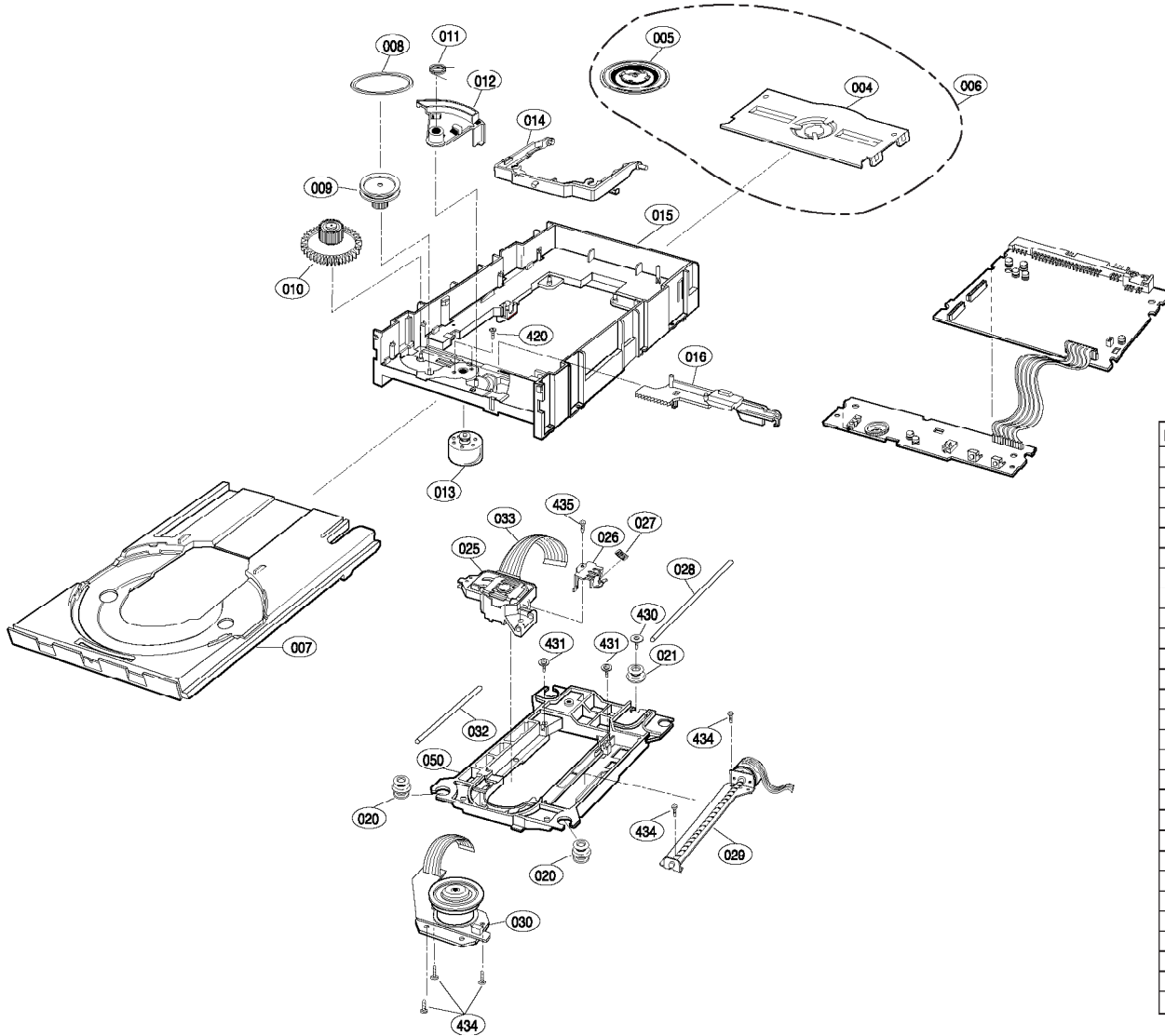


• CD PLAY SECTION



REF.NO.	PART NO	DESCRIPTION
004	4930H-1061A	HOLDER CLAMP
005	4861R-0004A	CLAMP ASSY Q1 & E2 ACDR
006	4931R-0033A	HOLDER ASSY CLAMP(Q1, ACDR)
007	3390H-1016C	TRAY DISC, BLACK
008	4400H-1009A	BELT GM-RT 1332A
009	4560H-1015A	PULLEY GEAR(GM-R512)
010	4470H-1115A	GEAR LOADING(Q1)
011	4970H-1087A	SPRING LEVER SWITCH
012	4510H-1033A	LEVER SWITCH(Q1)
013	4681H-1024A	MOTOR ASSY LOADING
014	3040H-1056A	BASE UP/DOWN(Q1)
015	3040I-1055A	BASE MAIN(Q1)
016	4974H-1034A	GUIDE UP/DOWN(Q1)
020	5040H-1053A	RUBBER GM-R11332A(F)
021	5040H-1052A	RUBBER GM-RT1332A(R)
025	6716S-E001A	PICK UP SF-P151EXVA SANYO ACDR
026	4974H-1039A	GUIDE FEED
027	4970H-1086A	SPRING FEED
028	4370H-1024C	SHAFT P/U(R)
029	4680HP5002B	MOTOR 15S1R10F6NC3 MATSUSHITA STEPMI
030	4680HB1019A	MOTOR GCS-L32A LGEC SPINDLE
032	4370H-1025B	SHAFT P/U(L)
033	6850HD1L16A	CABLE, FLEXIBLE 2896-A-1.0-17(05*65)160 BANDO
050	3040H-1057A	BASE P/U(Q1)
051	4000H-1006B	SCREW + D1.7 4.5MM SWRCH16A/ZNY 4MM
052	1SZZH-1004A	SCREW + D1.7 5MM SWRCH16A/ZNY 3.5MM
053	1SZZH-1007B	SCREW + D2.0 6MM SWRCH16A/ZNBK 4MM 1
054	1SZZH-1011B	SCREW + D1.7 6MM SWRCH16A/NIY 3.5MM