

	PART – GROUP CHANGE NOTIFICATION		Bulletin no.	Date	20.05.2009
	Prepared by	Cem Türköz	Signature		
	Approved by				
Copy to	TH-YFLB			Other	
	BI-KGB			Other	

TECHNICAL EXPLANATION OF THE CHANGE

Issue
Explanation In models: L60370_K60340_F60194NE_L60325_F60240_F60260_F60232NE_K60310_K60310H_K60340EC_K60320H_K60320NE_K60340V_K60320N the kickplate part eliminated, the bottom hinge and adjustable gliders are changed.
 In models L60370_F60194NE_L60325_F60240_F60260_F60260NE, door stopper part is changed too.



INFORMATION ABOUT THE PART CHANGES

Ref	New part(s)			Old Part(s)			Code
	Part name	Stock number	Rev	Part name	Stock number	Rev	
13	Bottom Hinge Assy.	43 3408 01 00		Bottom Hinge Assy.	41 5207 01 00		B-4
13	Bottom Hinge Assy.	43 3408 01 00		Bottom Hinge Assy.	41 5207 02 00		B-4
13	Bottom Hinge Assy.	43 4342 01 00		Bottom Hinge Assy.	43 1262 02 00		B-4
13	Bottom Hinge Assy.	43 4342 01 00		Bottom Hinge Assy.	43 1662 01 00		B-4
976	Door Stopper Part	48 0039 02 00		Door Stopper Part	48 1027 01 00		B-4
976	Door Stopper Part	48 4568 01 00		Door Stopper Part	48 1697 01 00		B-4
976	Door Stopper Part	48 0039 02 00		Door Stopper Part	48 0039 01 00		B-4
210	P.U. Foamed Door Assy.	43 1554 11 00		P.U. Foamed Door Assy.	43 1554 01 00		B-4
210	P.U. Foamed Door Assy.	43 1554 12 00		P.U. Foamed Door Assy.	43 1554 03 00		B-4
210	P.U. Foamed Door Assy.	43 1554 13 00		P.U. Foamed Door Assy.	43 1554 07 00		B-4
210	P.U. Foamed Door Assy.	43 1554 14 00		P.U. Foamed Door Assy.	43 1554 09 00		B-4
210	P.U. Foamed Door Assy.	43 1554 15 00		P.U. Foamed Door Assy.	43 1554 08 00		B-4
210	P.U. Foamed Door Assy.	43 1553 25 00		P.U. Foamed Door Assy.	43 1553 02 00		B-4
210	P.U. Foamed Door Assy.	43 1553 26 00		P.U. Foamed Door Assy.	43 1553 03 00		B-4
210	P.U. Foamed Door Assy.	43 1553 27 00		P.U. Foamed Door Assy.	43 1553 07 00		B-4
210	P.U. Foamed Door Assy.	43 1553 28 00		P.U. Foamed Door Assy.	43 1553 11 00		B-4
210	P.U. Foamed Door Assy.	43 1553 29 00		P.U. Foamed Door Assy.	43 1553 13 00		B-4
210	P.U. Foamed Door Assy.	43 1553 30 00		P.U. Foamed Door Assy.	43 1553 14 00		B-4
210	P.U. Foamed Door Assy.	43 1553 31 00		P.U. Foamed Door Assy.	43 1553 15 00		B-4
210	P.U. Foamed Door Assy.	43 1553 32 00		P.U. Foamed Door Assy.	43 1553 16 00		B-4
210	P.U. Foamed Door Assy.	43 1553 33 00		P.U. Foamed Door Assy.	43 1553 18 00		B-4
210	P.U. Foamed Door Assy.	43 1553 34 00		P.U. Foamed Door Assy.	43 1553 19 00		B-4
210	P.U. Foamed Door Assy.	43 1553 35 00		P.U. Foamed Door Assy.	43 1553 20 00		B-4
210	P.U. Foamed Door Assy.	43 1553 36 00		P.U. Foamed Door Assy.	43 1553 21 00		B-4
210	P.U. Foamed Door Assy.	43 1553 37 00		P.U. Foamed Door Assy.	43 1553 22 00		B-4
210	P.U. Foamed Door Assy.	43 1733 07 00		P.U. Foamed Door Assy.	43 1733 01 00		B-4
210	P.U. Foamed Door Assy.	43 1733 08 00		P.U. Foamed Door Assy.	43 1733 05 00		B-4
210	P.U. Foamed Door Assy.	43 1733 09 00		P.U. Foamed Door Assy.	43 1733 06 00		B-4
210	P.U. Foamed Door Assy.	43 1747 05 00		P.U. Foamed Door Assy.	43 1747 01 00		B-4
210	P.U. Foamed Door Assy.	43 1747 06 00		P.U. Foamed Door Assy.	43 1747 02 00		B-4
210	P.U. Foamed Door Assy.	43 1747 07 00		P.U. Foamed Door Assy.	43 1747 04 00		B-4
210	P.U. Foamed Door Assy.	43 1855 13 00		P.U. Foamed Door Assy.	43 1855 01 00		B-4
210	P.U. Foamed Door Assy.	43 1855 19 00		P.U. Foamed Door Assy.	43 1855 12 00		B-4
210	P.U. Foamed Door Assy.	43 2201 15 00		P.U. Foamed Door Assy.	43 2201 01 00		B-4
210	P.U. Foamed Door Assy.	43 2201 25 00		P.U. Foamed Door Assy.	43 2201 12 00		B-4
210	P.U. Foamed Door Assy.	43 2202 11 00		P.U. Foamed Door Assy.	43 2202 03 00		B-4
210	P.U. Foamed Door Assy.	43 2202 13 00		P.U. Foamed Door Assy.	43 2202 06 00		B-4
210	P.U. Foamed Door Assy.	43 3610 02 00		P.U. Foamed Door Assy.	43 3610 01 00		B-4
210	P.U. Foamed Door Assy.	43 4516 07 00		P.U. Foamed Door Assy.	43 4516 01 00		B-4
210	P.U. Foamed Door Assy.	43 5272 53 00		P.U. Foamed Door Assy.	43 5272 04 00		B-4
210	P.U. Foamed Door Assy.	43 5272 54 00		P.U. Foamed Door Assy.	43 5272 10 00		B-4
210	P.U. Foamed Door Assy.	43 5272 55 00		P.U. Foamed Door Assy.	43 5272 11 00		B-4
210	P.U. Foamed Door Assy.	43 5272 56 00		P.U. Foamed Door Assy.	43 5272 13 00		B-4
210	P.U. Foamed Door Assy.	43 5272 57 00		P.U. Foamed Door Assy.	43 5272 14 00		B-4
210	P.U. Foamed Door Assy.	43 5272 58 00		P.U. Foamed Door Assy.	43 5272 15 00		B-4
210	P.U. Foamed Door Assy.	43 5272 59 00		P.U. Foamed Door Assy.	43 5272 16 00		B-4
210	P.U. Foamed Door Assy.	43 5272 60 00		P.U. Foamed Door Assy.	43 5272 17 00		B-4
210	P.U. Foamed Door Assy.	43 5272 61 00		P.U. Foamed Door Assy.	43 5272 22 00		B-4
210	P.U. Foamed Door Assy.	43 5272 62 00		P.U. Foamed Door Assy.	43 5272 29 00		B-4
210	P.U. Foamed Door Assy.	43 5272 63 00		P.U. Foamed Door Assy.	43 5272 30 00		B-4
210	P.U. Foamed Door Assy.	43 5272 64 00		P.U. Foamed Door Assy.	43 5272 32 00		B-4
210	P.U. Foamed Door Assy.	43 5272 65 00		P.U. Foamed Door Assy.	43 5272 33 00		B-4
210	P.U. Foamed Door Assy.	43 5272 66 00		P.U. Foamed Door Assy.	43 5272 34 00		B-4
210	P.U. Foamed Door Assy.	43 5272 67 00		P.U. Foamed Door Assy.	43 5272 35 00		B-4
210	P.U. Foamed Door Assy.	43 5272 68 00		P.U. Foamed Door Assy.	43 5272 36 00		B-4
210	P.U. Foamed Door Assy.	43 5272 69 00		P.U. Foamed Door Assy.	43 5272 37 00		B-4
210	P.U. Foamed Door Assy.	43 5272 70 00		P.U. Foamed Door Assy.	43 5272 38 00		B-4
210	P.U. Foamed Door Assy.	43 5272 71 00		P.U. Foamed Door Assy.	43 5272 39 00		B-4
210	P.U. Foamed Door Assy.	43 5272 72 00		P.U. Foamed Door Assy.	43 5272 41 00		B-4
210	P.U. Foamed Door Assy.	43 5272 73 00		P.U. Foamed Door Assy.	43 5272 42 00		B-4
210	P.U. Foamed Door Assy.	43 5272 74 00		P.U. Foamed Door Assy.	43 5272 43 00		B-4
210	P.U. Foamed Door Assy.	43 5272 75 00		P.U. Foamed Door Assy.	43 5272 45 00		B-4
210	P.U. Foamed Door Assy.	43 5272 76 00		P.U. Foamed Door Assy.	43 5272 46 00		B-4
210	P.U. Foamed Door Assy.	43 5272 77 00		P.U. Foamed Door Assy.	43 5272 48 00		B-4
210	P.U. Foamed Door Assy.	43 5272 79 00		P.U. Foamed Door Assy.	43 5272 50 00		B-4
210	P.U. Foamed Door Assy.	43 5272 80 00		P.U. Foamed Door Assy.	43 5272 51 00		B-4
210	P.U. Foamed Door Assy.	43 5272 81 00		P.U. Foamed Door Assy.	43 5272 52 00		B-4
210	P.U. Foamed Door Assy.	43 5272 99 00		P.U. Foamed Door Assy.	43 5272 28 00		B-4
15	Adjustable Glider	42 0393 01 00		Adjustable Glider	42 0393 03 00		B-4
15	Adjustable Glider	42 0393 02 00		Adjustable Glider	42 0393 01 00		B-4
15	Adjustable Glider	42 0393 14 00		Adjustable Glider	42 0393 11 00		B-4
15	Adjustable Glider	42 0393 15 00		Adjustable Glider	42 0393 12 00		B-4
15	Adjustable Glider	42 0393 14 00		Adjustable Glider	42 5000 04 00		B-4
15	Adjustable Glider	42 0393 15 00		Adjustable Glider	42 5000 04 00		B-4
956	-	-		Adjustable Glider Holder	42 4919 01 00		B-4
20	-	-		Kickplate part	43 1563 01 00		B-4
20	-	-		Kickplate part	43 1563 05 00		B-4
20	-	-		Kickplate part	43 1563 06 00		B-4
20	-	-		Kickplate part	43 1563 07 00		B-4
20	-	-		Kickplate part	43 1563 08 00		B-4
20	-	-		Kickplate part	43 1563 09 00		B-4
20	-	-		Kickplate part	43 1563 10 00		B-4
20	-	-		Kickplate part	43 1563 11 00		B-4
20	-	-		Kickplate part	43 2486 02 00		B-4
20	-	-		Kickplate part	43 2486 07 00		B-4
20	-	-		Kickplate part	43 2486 08 00		B-4
20	-	-		Kickplate part	43 2486 09 00		B-4
102	SF M6x16 SPIRAL FORM SCREW (AKYB)	48 3246 01 00		SPIRAL FORM SCREW(M5x18)	48 1183 01 00		B-4
954	-	-		FRONT WHEEL ASSY	43 0631 01 00		B-4
182	ADJUSTABLE GLIDER CAP	42 1662 02 00		-	-		B-4

CODE EXPLANATION :
 A-Old stocks can be used. Old & new parts are fully interchangeable.
 B-Old stocks can be used. Old parts are interchangeable with old production & new parts are interchangeable with production.
 C-Old stocks can not be used. New parts are interchangeable with old & new production.
 D-Old stocks can not be used. New parts are interchangeable with new production.
 1-Performance / 2-Production improvement / 3-Safety / 4-Material or dimension change / 5-Additional part / 6-Part cancellation / 7-Alternative use

INFORMATION ABOUT THE PRODUCT CHANGES

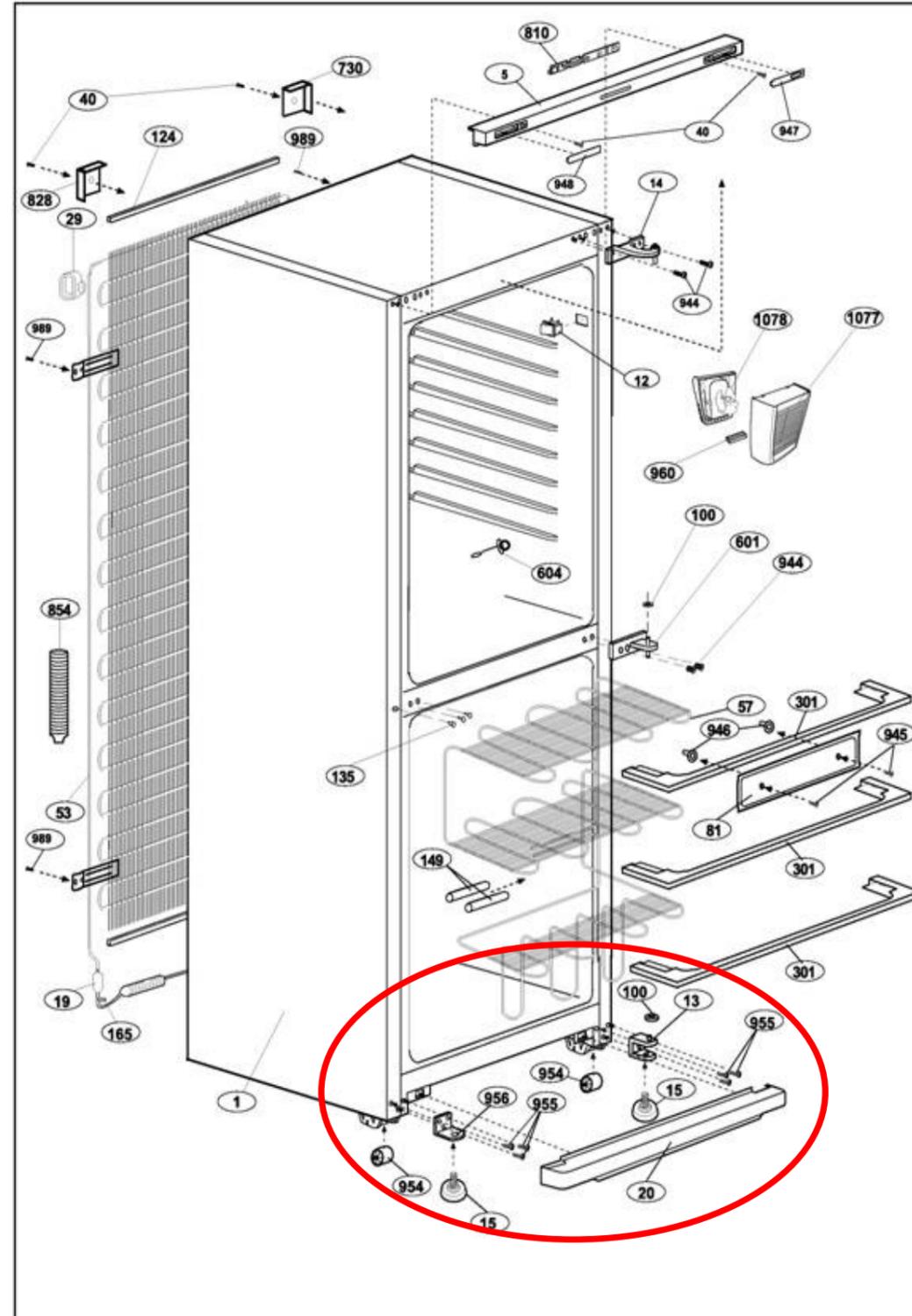
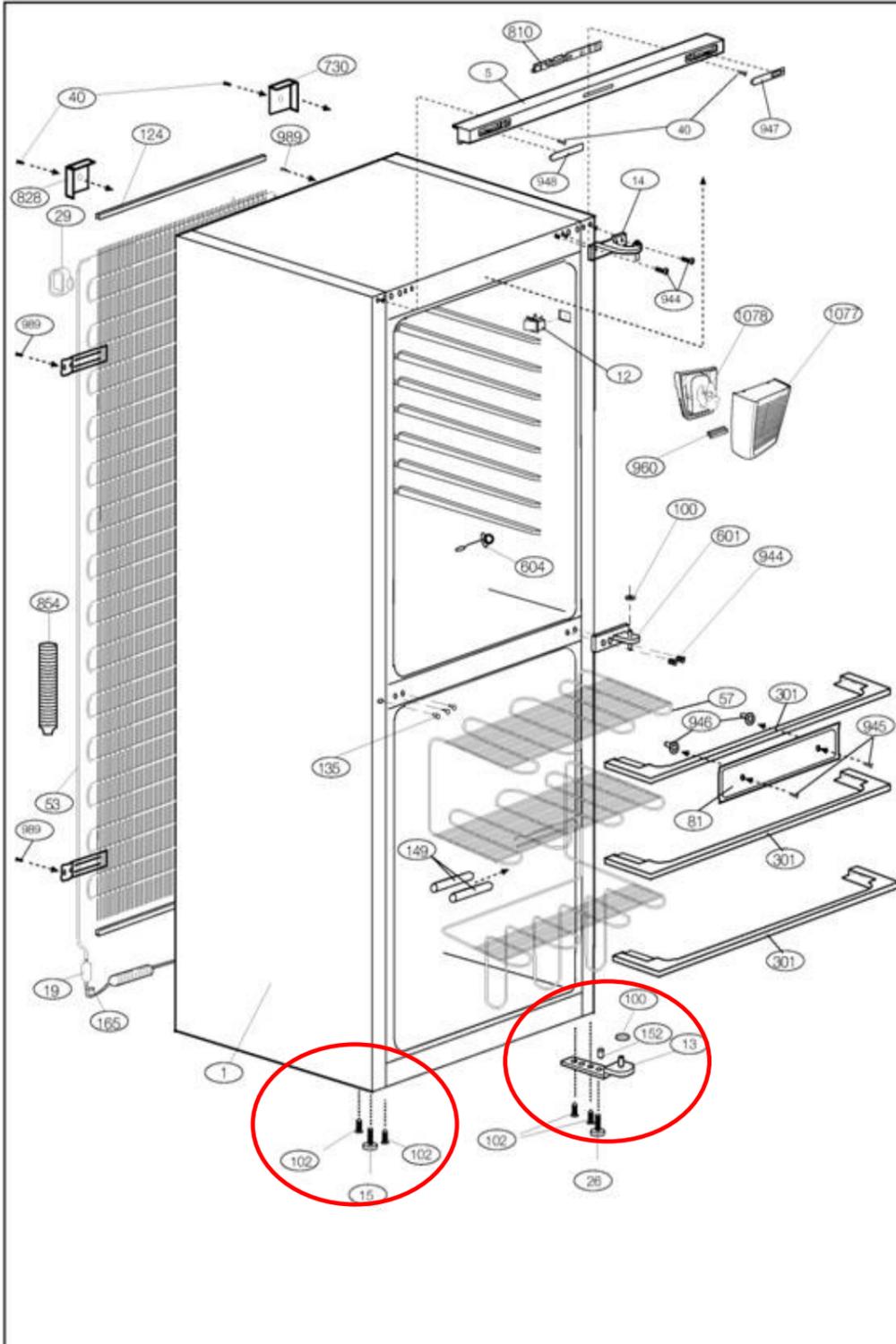
No	Date	Brand	Model	Started from	Finished at	Signature
1	Subat 2009		Given at "products" sheet			
2						
3						
4						
5						

ÜRÜN NO	ÜRÜN TANIM	MARKA	MODEL	DEĞİŞİKLİK ÖNCESİ		DEĞİŞİKLİK SONRASI		ALT MENTEŞE-13			P.Ü. KAPI GR.-210			KAPI STOPER SACI-976			AYARLI AYAK-15-26			AYARLI AYAK TUTUCU-956			TEKMEKİK-HAVALANDIRMA KAPAĞI GR.-20				
				SON SERİ NO	SON ÜRETİM TARİHİ	İLK SERİ NO	İLK ÜRETİM TARİHİ	DEĞİŞİKLİK ÖNCESİ	DEĞİŞİKLİK SONRASI	YERİNE GEÇEBİLİRLİK ve DEĞİŞİKLİK NOTU	DEĞİŞİKLİK ÖNCESİ	DEĞİŞİKLİK SONRASI	YERİNE GEÇEBİLİRLİK ve DEĞİŞİKLİK NOTU	DEĞİŞİKLİK ÖNCESİ	DEĞİŞİKLİK SONRASI	YERİNE GEÇEBİLİRLİK ve DEĞİŞİKLİK NOTU	DEĞİŞİKLİK ÖNCESİ	DEĞİŞİKLİK SONRASI	YERİNE GEÇEBİLİRLİK ve DEĞİŞİKLİK NOTU	DEĞİŞİKLİK ÖNCESİ	DEĞİŞİKLİK SONRASI	YERİNE GEÇEBİLİRLİK ve DEĞİŞİKLİK NOTU	DEĞİŞİKLİK ÖNCESİ	DEĞİŞİKLİK SONRASI	YERİNE GEÇEBİLİRLİK ve DEĞİŞİKLİK NOTU		
6021201000	2041 D ARÇELİK TÜRKİYE VGGWR	F60240	ARÇELİK	F60240	91008500201	06.02.2009	91008510301	03.03.2009	4152070100	4343420100	HAYIR	4352725500	4352721100	NO (Only change is the stopper part)	4810270100	4800390200	NO	4203930300	4203930100	4203930200	HAYIR	4249190100	REMOVED	-	4315630100	KALDIRILDI	-
7208420210	D 7240 SMF BEKO TÜRKİYE DGWWR	F60240	BEKO	F60240	91003390201	06.02.2009	-	-	4152070100	4334080100	HAYIR	-	-	-	-	-	-	4203930300	4203930100	4203930200	HAYIR	4249190100	REMOVED	-	4324860200	KALDIRILDI	-

PRODUCT SAP CODE	PRODUCT MARKETING CODE	BRAND	MODEL	BEFORE CHANGE		AFTER CHANGE		BOTTOM HINGE ASSY. NO.-13			FOAMED DOOR. ASSY-210			DOOR STOPPER PART-976			ADJUSTIBLE GLIDER-15-26			ADJUSTABLE GLIDER HOLDER-956			KICK PLATE-20			
				LAST SERIAL NO. PRODUCED	LAST PRODUCTION DATE	FIRST SERIAL NO. PRODUCED	FIRST PRODUCTION DATE	BEFORE CHANGE	AFTER CHANGE	INTERCHANGEABILITY AND CHANGE NOTE	BEFORE CHANGE	AFTER CHANGE	INTERCHANGEABILITY AND CHANGE NOTE	BEFORE CHANGE	AFTER CHANGE	INTERCHANGEABILITY AND CHANGE NOTE	BEFORE CHANGE	AFTER CHANGE	INTERCHANGEABILITY AND CHANGE NOTE	BEFORE CHANGE	AFTER CHANGE	INTERCHANGEABILITY AND CHANGE NOTE	BEFORE CHANGE	AFTER CHANGE	INTERCHANGEABILITY AND CHANGE NOTE	
6019499118	FDG 2600 ARCELK MEA VGWVH F06232NE	ARCELK	F06232NE	81042790901	09.09.2008	-	-	4152070100	4343420100	NO	4352725700	4352721400	NO (Only change is the stopper part)	4810270100	4800390200	NO	4203930300	4203930100	4203930200	NO	4249190100	REMOVED	-	4315630100	REMOVED	-
6019492138	81072602138 UNDF SUPERFR IRAN VGWVH F06232NE	SUPERFR	F06232NE	81072602138	23.12.2008	-	-	4152070200	4343420100	NO	4352727200	4352724200	NO (Only change is the stopper part)	4810270100	4800390200	NO	4203930300	4203930100	4203930200	NO	4249190100	REMOVED	-	4315630900	REMOVED	-
6022459118	LDG 41700 SUPERFR IRAN VGWVH L60370	ARCELK	L60370	81006450901	18.09.2008	9100010501	09.05.2009	4152070100	4343420100	NO	4315932500	4315932000	NO (Only change is the stopper part)	4810270100	4800390200	NO	4203930300	4203930100	4203930200	NO	4249190100	REMOVED	-	4315630100	REMOVED	-
6022457188	ALR 3700 SUPERFR IRAN VGWVH L60370	SUPERFR	L60370	81006450901	17.01.2009	-	-	4152070100	4343420100	NO	4315932500	4315932000	NO (Only change is the stopper part)	4810270100	4800390200	NO	4203930300	4203930100	4203930200	NO	4249190100	REMOVED	-	4315630100	REMOVED	-
7201246818	FNE 29480 BEKO IRAN DGWVH F06232NE	BEKO	F06232NE	81002680101	23.01.2009	-	-	4152070100	4343420100	NO	4352726300	4352723000	NO (Only change is the stopper part)	4810270100	4800390200	NO	4203930300	4203930100	4203930200	NO	4249190100	REMOVED	-	4324860200	REMOVED	-
7201246886	FNE 29480 BEKO IRAN DGWVH F06232NE	BEKO	F06232NE	81001030401	04.04.2008	-	-	4152070100	4343420100	NO	4322012500	4322012000	NO (Only change is the stopper part)	4810270100	4845680100	NO	4203931100	4203931400	4203931500	NO	4249190100	REMOVED	-	4324860800	REMOVED	-
7215346815	SSE 40060 BEKO IRAN DYWVH L60370	BEKO	L60370	91004940101	17.01.2009	91004950301	13.03.2009	4152070100	4343420100	NO	4318551300	4318551000	NO (Only change is the stopper part)	4810270100	4845680100	NO	4203930300	4203930100	4203930200	NO	4249190100	REMOVED	-	4324860200	REMOVED	-
7215346886	SSE 40060 BEKO IRAN DYWVH L60370	BEKO	L60370	81001040401	30.04.2008	9100010301	26.03.2009	4152070100	4343420100	NO	4318551300	4318551200	NO (Only change is the stopper part)	4810270100	4845680100	NO	4203931100	4203931400	4203931500	NO	4249190100	REMOVED	-	4324860800	REMOVED	-
7221346818	SSE 40060 BEKO IRAN DYWVH L60370	BEKO	L60370	91001840101	17.01.2009	91001850301	12.03.2009	4152070100	4343420100	NO	4345160700	4345160100	NO (Only change is the stopper part)	4810270100	4845680100	NO	4203930300	4203930100	4203930200	NO	4249190100	REMOVED	-	4324860200	REMOVED	-
6010410182	GSN180ASIBR ISVIC VGWVH F06194NE	SIBIR	F06194NE	82000011201	18.12.2008	-	-	4152070100	4343420100	NO	4352727300	4352724200	NO (Only change is the stopper part)	4810270100	4800390200	NO	4203930300	4203930100	4203930200	NO	4249190100	REMOVED	-	4315630100	REMOVED	-
6010412138	FSN 4236 E BREG AVUS VJWVH F06194NE	ELEKTRA BREGENZ	F06194NE	81005851101	12.11.2008	91000010301	03.03.2009	4152070100	4343420100	NO	4317470600	4317470200	NO (Only change is the stopper part)	4810270100	4800390200	NO	4203930300	4203930100	4203930200	NO	4249190100	REMOVED	-	4315630100	REMOVED	-
6010455178	FNT 1660 BLOM POOL VJWVH F06194NE	BLOMBERG	F06194NE	81004251001	26.10.2008	-	-	4152070100	4343420100	NO	4317470600	4317470200	NO (Only change is the stopper part)	4810270100	4800390200	NO	4203930300	4203930100	4203930200	NO	4249190100	REMOVED	-	4315630100	REMOVED	-
6019408118	FDG 5750 BEKO MEA VGWVH F06232NE	BEKO	F06232NE	91001760201	03.02.2009	91001770301	06.03.2009	4152070100	4343420100	NO	4352725700	4352721400	NO (Only change is the stopper part)	4810270100	4800390200	NO	4203930300	4203930100	4203930200	NO	4249190100	REMOVED	-	4315630100	REMOVED	-
6019410178	GSN 220 ASIBR ISVIC VGWVH F06232NE	SIBIR	F06232NE	81002261201	18.12.2008	-	-	4152070100	4343420100	NO	4352726300	4352723000	NO (Only change is the stopper part)	4810270100	4800390200	NO	4203930300	4203930100	4203930200	NO	4249190100	REMOVED	-	4315630100	REMOVED	-
6019410189	GSN 222A SIBIR ISVIC VGWVH F06232NE	SIBIR	F06232NE	81001021201	19.12.2008	-	-	4152070100	4343420100	NO	4352726300	4352729000	NO (Only change is the stopper part)	4810270100	4800390200	NO	4203930300	4203930100	4203930200	NO	4249190100	REMOVED	-	4315630100	REMOVED	-
6019411774	NO 17360 ELVITA DAN VGWVH F06232NE	ELVITA	F06232NE	81007551201	18.12.2008	-	-	4152070100	4343420100	NO	4352727100	4352729000	NO (Only change is the stopper part)	4810270100	4800390200	NO	4203930300	4203930100	4203930200	NO	4249190100	REMOVED	-	4315630100	REMOVED	-
6019412138	FNT 1670 BLOM ALM VJWVH F06232NE	BLOMBERG	F06232NE	91003770201	05.02.2009	91003780501	18.05.2009	4152070100	4343420100	NO	4315541200	4315540300	NO (Only change is the stopper part)	4810270100	4800390200	NO	4203930300	4203930100	4203930200	NO	4249190100	REMOVED	-	4315630100	REMOVED	-
6019412882	FNT1671X BLOMBERG DAN VJWVH F06232NE	BLOMBERG	F06232NE	91001230101	20.01.2009	-	-	4152070100	4343420100	NO	4315541500	4315540800	NO (Only change is the stopper part)	4810270100	4800390200	NO	4203931100	4203931400	4203931500	NO	4249190100	REMOVED	-	4315630700	REMOVED	-
6019414778	FUR-DAS-PROF W DEKON POOL VJWVH F06232NE	DEKON	F06232NE	81002209001	21.06.2008	-	-	4152070100	4343420100	NO	4352727800	4352725000	NO (Only change is the stopper part)	4810270100	4800390200	NO	4203930300	4203930100	4203930200	NO	4249190100	REMOVED	-	4315630100	REMOVED	-
6019439970	TGF 270 Inox TEKA ISP VTSAH F06232NE	TEKA	F06232NE	91001020201	05.02.2009	91001030301	26.03.2009	4152070100	4343420100	NO	4352729900	4352728000	NO (Only change is the stopper part)	4810270100	4800390200	NO	4203931100	4203931400	4203931500	NO	4249190100	REMOVED	-	4315630700	REMOVED	-
6019443118	3260 BLUMATIC LUBAN VGWVH F06232NE	BLUMATIC	F06232NE	81002051001	24.10.2008	9100010301	26.03.2009	4152070100	4343420100	NO	4352726900	4352727000	NO (Only change is the stopper part)	4810270100	4800390200	NO	4203930300	4203930100	4203930200	NO	4249190100	REMOVED	-	4315630700	REMOVED	-
6019447138	CAV 675-NF ANS. ISP VGWVH F06232NE	ANSONIC	F06232NE	81011851101	14.11.2008	-	-	4152070100	4343420100	NO	4352726500	4352723000	NO (Only change is the stopper part)	4810270100	4800390200	NO	4203930300	4203930100	4203930200	NO	4249190100	REMOVED	-	4315630100	REMOVED	-
6019447638	CAV 675-NF ANS. ISP VGSH F06232NE	ANSONIC	F06232NE	81002061101	10.11.2007	-	-	4152070100	4343420100	NO	4352726500	4352723000	NO (Only change is the stopper part)	4810270100	4800390200	NO	4203930300	4203930100	4203930200	NO	4249190100	REMOVED	-	4315630900	REMOVED	-
6019448138	ICT-173 SAUVID ISP VGWVH F06232NE	SAUVID	F06232NE	91002210201	05.02.2009	91002220301	09.03.2009	4152070100	4343420100	NO	4352728700	4352728000	NO (Only change is the stopper part)	4810270100	4800390200	NO	4203930300	4203930100	4203930200	NO	4249190100	REMOVED	-	4315630100	REMOVED	-
6019448338	ICT-173 SAUVID ISP VGSH F06232NE	SAUVID	F06232NE	71007040601	12.06.2007	-	-	4152070100	4343420100	NO	4352728800	4352729000	NO (Only change is the stopper part)	4810270100	4800390200	NO	4203931100	4203931400	4203931500	NO	4249190100	REMOVED	-	4315630800	REMOVED	-
6019452138	CV 280 NF SMEG ITALY VGWVH F06232NE	SMEG	F06232NE	81002921101	14.11.2008	91000010401	14.04.2009	4152070100	4343420100	NO	4352727500	4352721000	NO (Only change is the stopper part)	4810270100	4800390200	NO	4203930300	4203930100	4203930200	NO	4249190100	REMOVED	-	4315630100	REMOVED	-
6019453118	AFVJ 3070 FAFFRON BAE VGWVH F06232NE	FAFFRON	F06232NE	91000820101	21.01.2009	91000830301	06.03.2009	4152070100	4343420100	NO	4352725700	4352721400	NO (Only change is the stopper part)	4810270100	4800390200	NO	4203930300	4203930100	4203930200	NO	4249190100	REMOVED	-	4315630100	REMOVED	-
6019454118	1670 T BLOM ALM VJWVH F06232NE	BLOMBERG	F06232NE	81004330401	04.04.2008	-	-	4152070100	4343420100	NO	4315541200	4315540300	NO (Only change is the stopper part)	4810270100	4800390200	NO	4203930300	4203930100	4203930200	NO	4249190100	REMOVED	-	4315630100	REMOVED	-
6019455138	FNT1670T BLOMBERG IRAN VJWVH F06232NE	BLOMBERG	F06232NE	81006541101	18.11.2008	91000010301	07.03.2009	4152070100	4343420100	NO	4315541400	4315540800	NO (Only change is the stopper part)	4810270100	4800390200	NO	4203930300	4203930100	4203930200	NO	4249190100	REMOVED	-	4315630100	REMOVED	-
6019455918	FNT 1670 XT BLOM YUN VJAH F06232NE	BLOMBERG	F06232NE	81004330401	04.04.2008	-	-	4152070100	4343420100	NO	4315541000	4315540800	NO (Only change is the stopper part)	4810270100	4800390200	NO	4203931100	4203931400	4203931500	NO	4249190100	REMOVED	-	4315630700	REMOVED	-
6019457173	FNT1670T BLOMBERG ISR VJWVH F06232NE	BLOMBERG	F06232NE	81018210301	20.03.2008	91000010401	10.04.2009	4152070100	4343420100	NO	4315541200	4315540300	NO (Only change is the stopper part)	4810270100	4800390200	NO	4203930300	4203930100	4203930200	NO	4249190100	REMOVED	-	4315630100	REMOVED	-
6019457183	FNT 1670 A+ BLOM POOL VJWVH F06232NE	BLOMBERG	F06232NE	91005070201	05.02.2009	91005080501	19.05.2009	4152070100	4343420100	NO	4315541200	4315540300	NO (Only change is the stopper part)	4810270100	4800390200	NO	4203930300	4203930100	4203930200	NO	4249190100	REMOVED	-	4315630100	REMOVED	-
6019457838	1671 XT BLOM POOL VJWVH F06232NE	BLOMBERG	F06232NE	91000820101	21.01.2009	91000830301	06.03.200																			

YENİ/NEW

ESKİ/OLD



ÇİZEN : UĞUR EĞİLMEZBAŞ	ONAY : S. MUTLU	RESİM NO : 449	REVİZYON : 03
TARİH : 28 - 05 - 2003	İLGİLİ MODELLER : B-760 GÖVDE	REV. TARİHİ : 09.04.2007	

ÇİZEN : UĞUR EĞİLMEZBAŞ	ONAY : S. MUTLU	RESİM NO : 449	REVİZYON : 03
TARİH : 28 - 05 - 2003	İLGİLİ MODELLER : B-760 GÖVDE	REV. TARİHİ : 09.04.2007	

