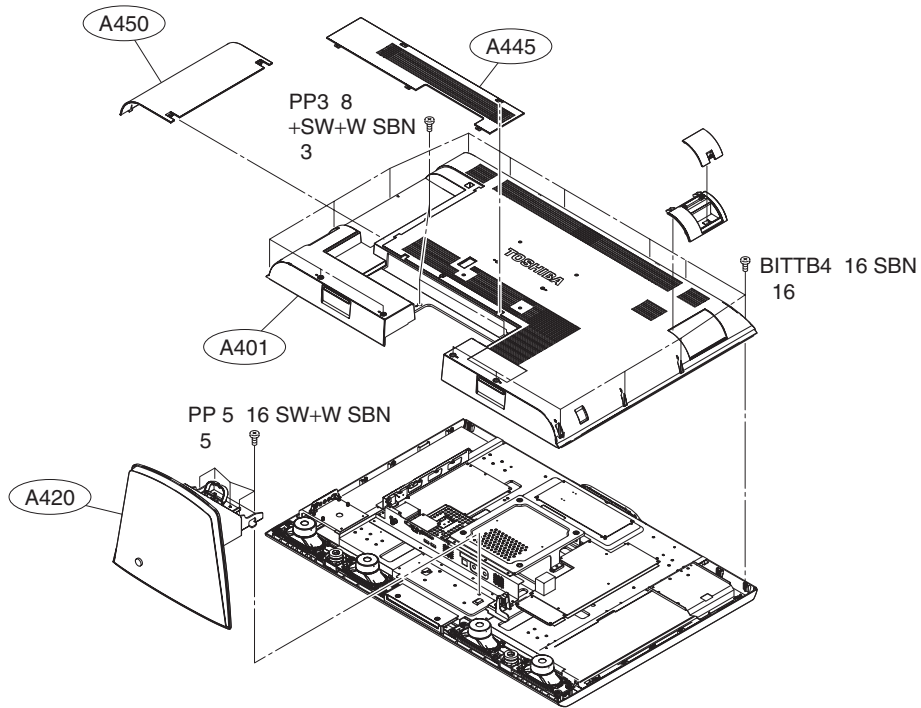
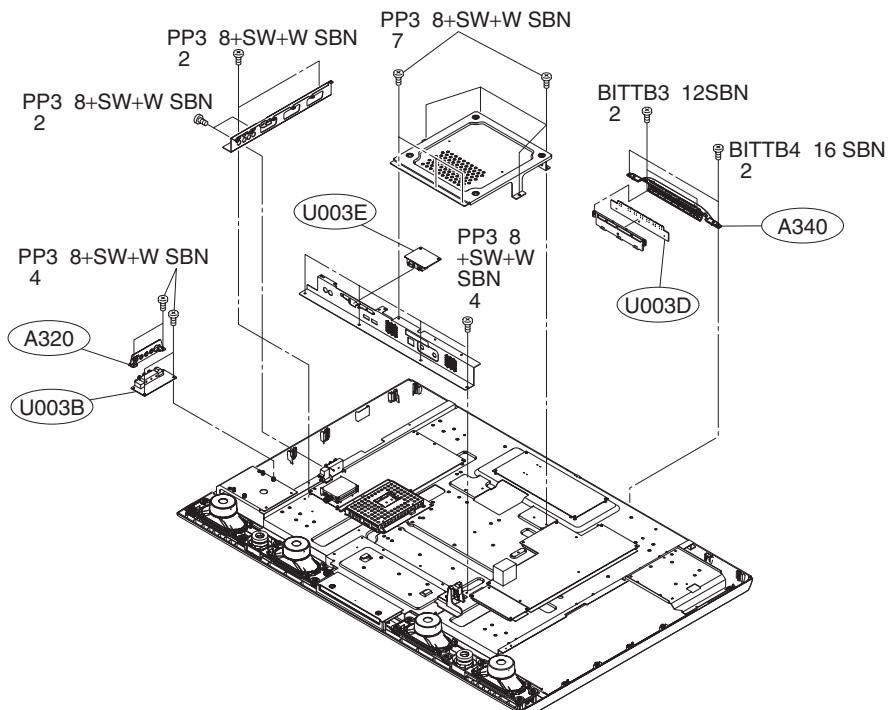


MECHANICAL DISASSEMBLY

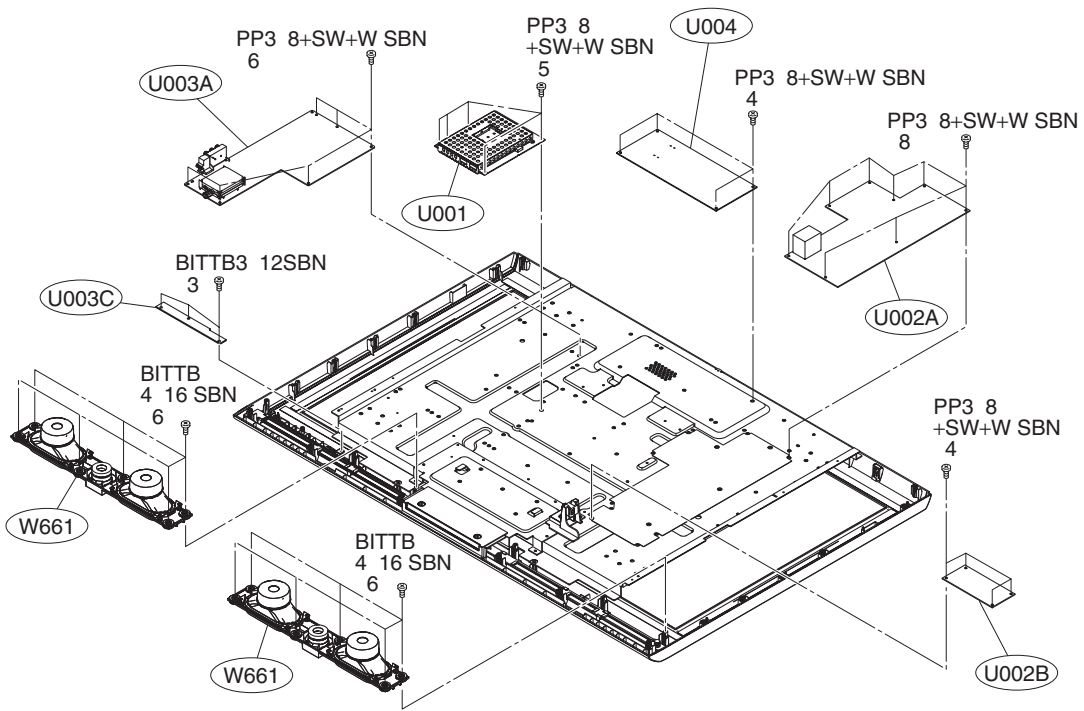
1. Remove the stand (foot) and back cover.



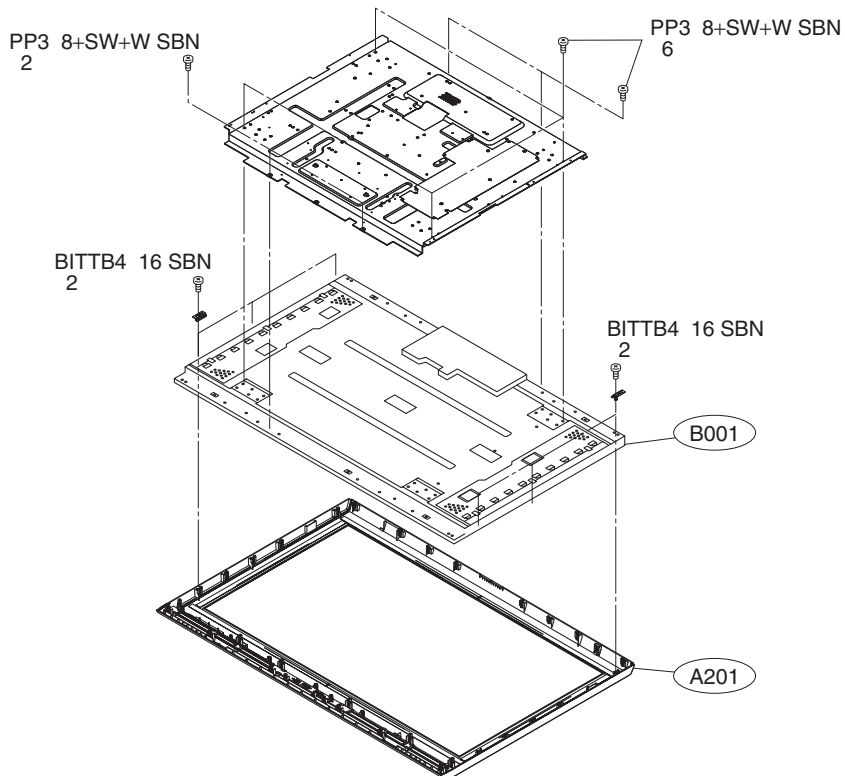
2. Remove the boards (FRONT AV,PC HDMI, KEY) and back center cover.



3. Remove the boards (POWER, AC-IN, SIGNAL, LOW B, TN AV, RMT LED) and speaker.

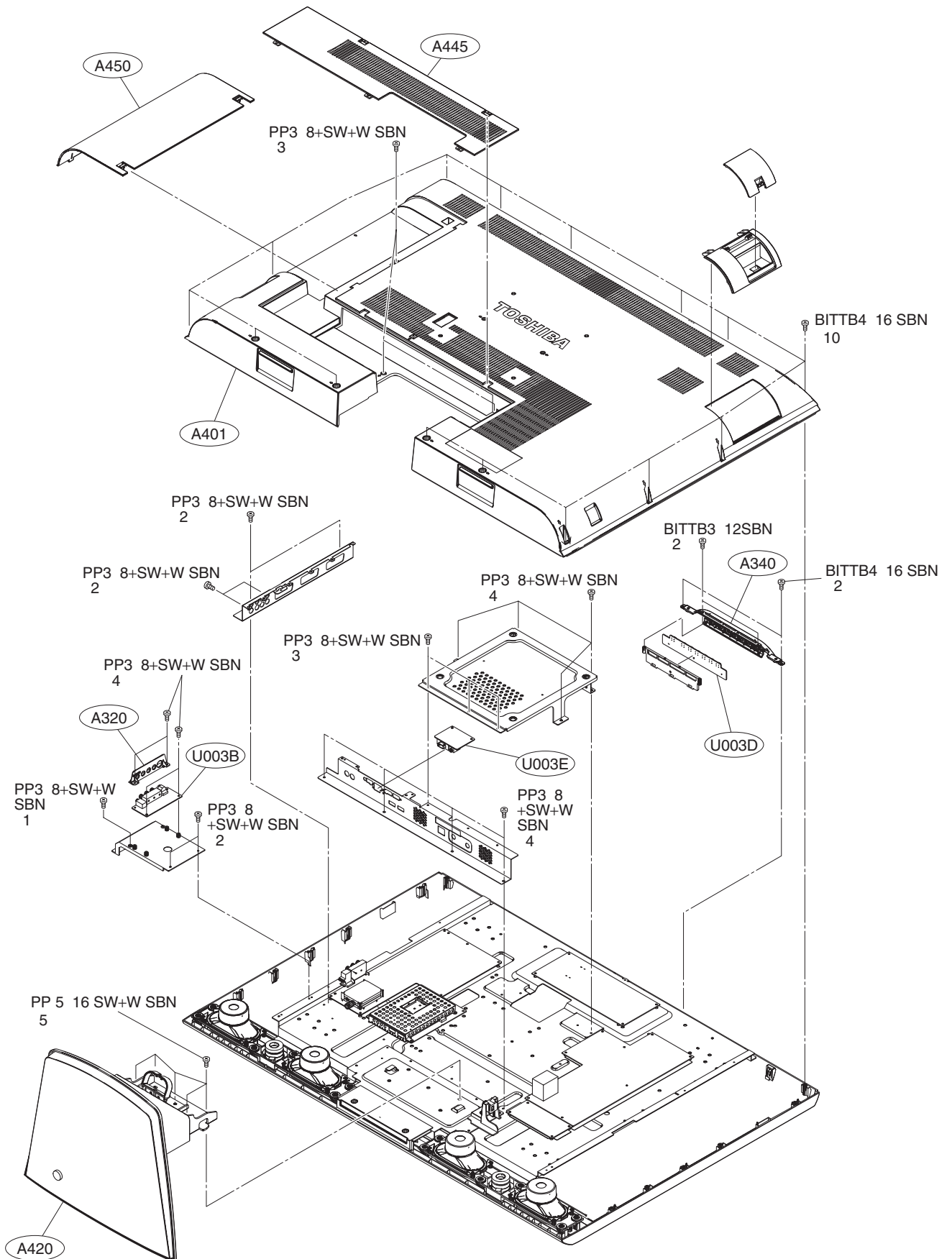


4. Remove the display.

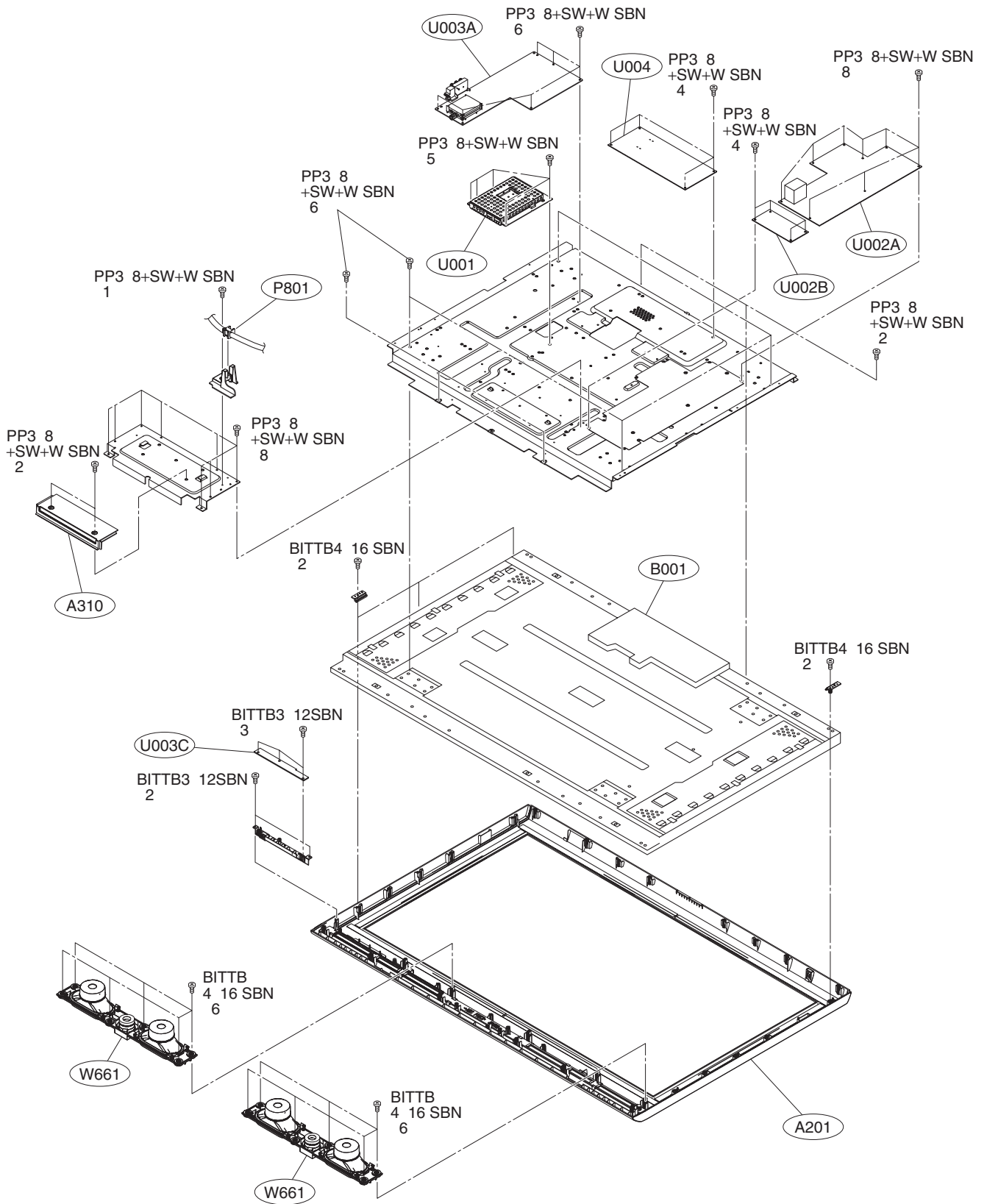


EXPLODED VIEWS

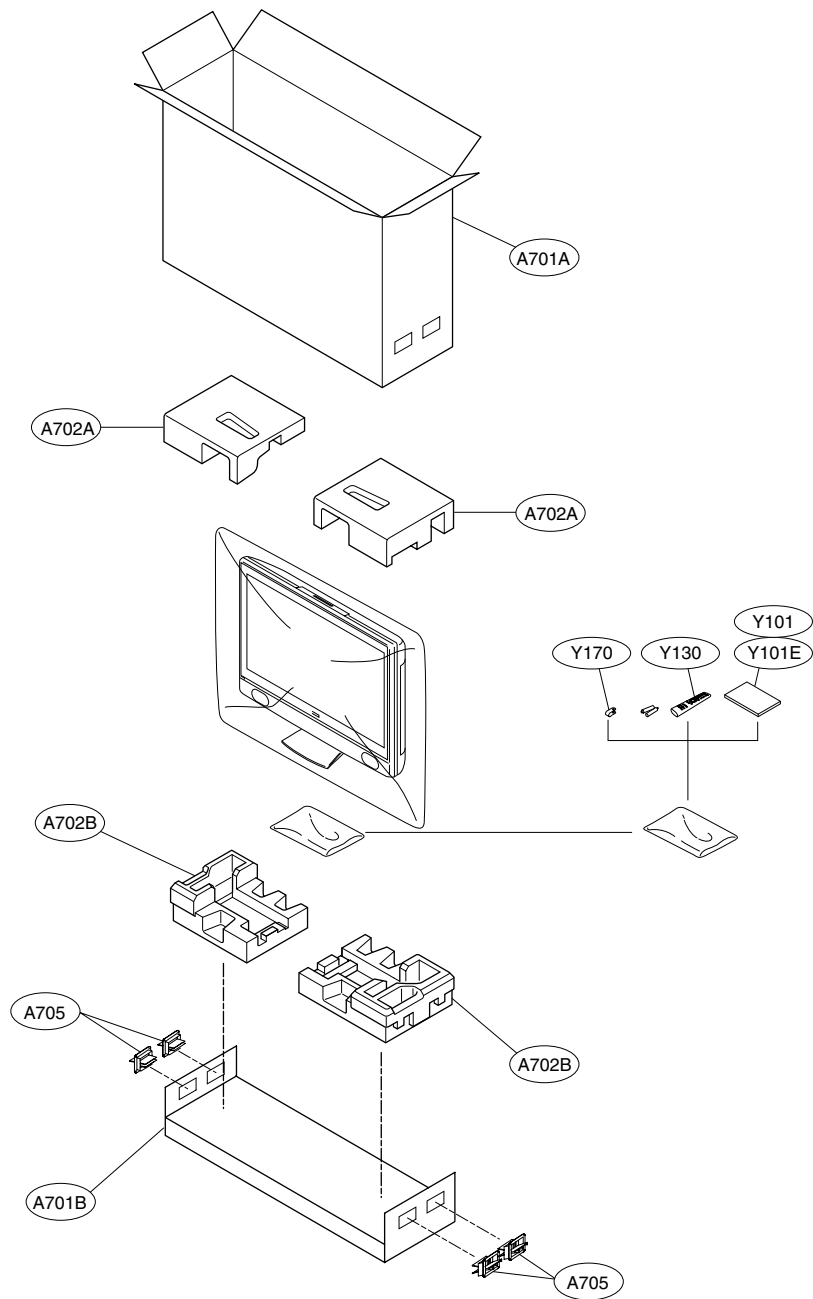
1. Chassis Block



2. Main Block



PACKING DISASSEMBLY



CHASSIS AND CABINET REPLACEMENT PARTS LIST

WARNING: BEFORE SERVICING THIS CHASSIS, READ THE "SERVICE SAFETY PRECAUTIONS" ON PAGE 3 OF THIS MANUAL.

CAUTION: The international hazard symbols " \triangle " in the schematic diagram and the parts list designate components which have special characteristics important for safety and should be replaced only with types identical to those in the original circuit or specified in the parts list. The mounting position of replacements is to be identical with originals. Before replacing any of these components, read carefully the PRODUCT SAFETY NOTICE. Do not degrade the safety of the receiver through improper servicing.

NOTICE:
The part number must be used when ordering parts, in order to assist in processing, be sure to include the Model number and Description.
The PC board assembly with * mark is no longer available after the end of the production.

Model : 42WL58P

Capacitors CD : Ceramic Disk PF : Plastic Film EL : Electrolytic
Resistors CF : Carbon Film CC : Carbon Composition MF : Metal Film
 OMF : Oxide Metal Film VR : Variable Resistor FR : Fusible Resistor
(All CD and PF capacitors are $\pm 5\%$, 50V and all resistors, $\pm 5\%$, 1/6W unless otherwise noted.)

Location No.	Parts No.	Description
FCAPACITORS		
C101	76109103	CERAMIC CHIP, 50V B 0.01UF K
C102	76073019	ELECTROLYTIC, 10V 470UF M 3A
C103	76109102	CERAMIC CHIP, 50V B 1000PF K
C104	76619143	ELECTROLYTIC CHIP, 50V 4.7UF M
C105	76073019	ELECTROLYTIC, 10V 470UF M 3A
C113	76109102	CERAMIC CHIP, 50V B 1000PF K
C117	76109103	CERAMIC CHIP, 50V B 0.01UF K
C118	76109103	CERAMIC CHIP, 50V B 0.01UF K
C162	76105101	CERAMIC CHIP, 50V CH 100PF J
C164	76100103	CERAMIC CHIP, 50V F 0.01UF Z
C190	76092730	CERAMIC CHIP, 16V B 0.1UF K
C501	76100104	CERAMIC CHIP, 25V F 0.1UF Z
C502	76100104	CERAMIC CHIP, 25V F 0.1UF Z
C503	76619046	ELECTROLYTIC CHIP, 16V 470UF
C504	76109103	CERAMIC CHIP, 50V B 0.01UF K
C505	76619046	ELECTROLYTIC CHIP, 16V 470UF
C506	76109103	CERAMIC CHIP, 50V B 0.01UF K
C514	76665221	ELECTROLYTIC, 10V 220UF M 3A
C516	76105110	CERAMIC CHIP, 50V CH 11PF J
C517	76092785	CERAMIC CHIP, 10V B 0.47UF K
C519	76619048	ELECTROLYTIC CHIP, 25V 4.7UF M
C521	76092733	CERAMIC CHIP, 50V B 0.022UF K
C524	76109103	CERAMIC CHIP, 50V B 0.01UF K
C526	76109103	CERAMIC CHIP, 50V B 0.01UF K
C527	76619071	ELECTROLYTIC CHIP, 50V 2.2UF
C529	76100104	CERAMIC CHIP, 25V F 0.1UF Z
C530	76619157	ELECTROLYTIC CHIP, 16V 100UF
C605	76109102	CERAMIC CHIP, 50V B 1000PF K
C606	76109102	CERAMIC CHIP, 50V B 1000PF K
C612	76664102	ELECTROLYTIC, 6.3V 1000UF M 3A
C631	76619102	ELECTROLYTIC CHIP, 16V 47UF M
C632	76092731	CERAMIC CHIP, 16V B 1UF K
C651	76092463	CERAMIC CHIP, 16V B 0.22UF K
C652	76092463	CERAMIC CHIP, 16V B 0.22UF K
C653	76092538	CERAMIC CHIP, 10V F 1UF Z
C655	76109103	CERAMIC CHIP, 50V B 0.01UF K
C661	76109102	CERAMIC CHIP, 50V B 1000PF K
C662	76109102	CERAMIC CHIP, 50V B 1000PF K
C663	76619100	ELECTROLYTIC CHIP, 16V 10UF M
C665	76669479	ELECTROLYTIC, 50V 4.7UF M
C666	76669479	ELECTROLYTIC, 50V 4.7UF M
C671	76669100	ELECTROLYTIC, 50V 10UF M
C674	76669100	ELECTROLYTIC, 50V 10UF M
C677	76109681	CERAMIC CHIP, 50V B 680PF K
C678	76109681	CERAMIC CHIP, 50V B 680PF K

Location No.	Parts No.	Description
C680	76668102	ELECTROLYTIC, 35V 1000UF M 3A
C681	76668102	ELECTROLYTIC, 35V 1000UF M 3A
C682	76668102	ELECTROLYTIC, 35V 1000UF M 3A
C690	76815103	CERAMIC CHIP, 50V B 0.01UF K
C694	76285104	CERAMIC CHIP, 50V B 0.1UF K
C696	76285104	CERAMIC CHIP, 50V B 0.1UF K
\triangle C801	76168007	MT PLA AC275V 1UF M
\triangle C802	76503508	MT PLA PCX2 337 11474
\triangle C806	76092555	CERAMIC DISC, AC250V E 1000PF M
\triangle C807	76092555	CERAMIC DISC, AC250V E 1000PF M
\triangle C808	76092553	CERAMIC DISC, AC250V B 470PF K
\triangle C809	76092553	CERAMIC DISC, AC250V B 470PF K
C812	76109102	CERAMIC CHIP, 50V B 1000PF K
C814	76109102	CERAMIC CHIP, 50V B 1000PF K
C815	76073037	ELECTROLYTIC, 16V 47UF M 3A
C815A	23960136	ADHESIVE, SILICONE, TSE3843-W
C816	76109102	CERAMIC CHIP, 50V B 1000PF K
C817	76109102	CERAMIC CHIP, 50V B 1000PF K
C818	76669010	ELECTROLYTIC, 50V 1UF M
C819	76539684	PLASTIC FILM, 50V 0.68UF J
C820	76125010	CHEMICON CE69R 450V 270UF M 3H
C821	76125011	CHEMICON CE04R 450V 82UF M 4A
C822	76214103	CERAMIC DISC, 500V B 0.01UF K
C824	76168008	MT PLA 450V 1UF K
C825	76168008	MT PLA 450V 1UF K
C826	76092339	CERAMIC DISC, 2KV 330PF K
C827	76092339	CERAMIC DISC, 2KV 330PF K
C840	76125009	CHEMICON 450V 47UF M
C843	76166001	CERAMIC DISK CC45 SL 3.15KV 47PF J
C844	76669479	ELECTROLYTIC, 50V 4.7UF M
C845	76073196	ELECTROLYTIC, 50V 22UF M 3A
C846	76073140	ELECTROLYTIC CE04P 10V 680UF M 3A
C847	76665471	ELECTROLYTIC, 10V 470UF M
C848	76214471	CERAMIC DISC, 500V B 470PF K
C849A	23960136	ADHESIVE, SILICONE, TSE3843-W
C860	76214103	CERAMIC DISC, 500V B 0.01UF K
C861	76503053	PLASTIC FILM, 63V 1UF J
C862	76669229	ELECTROLYTIC, 50V 2.2UF M
C863	76503049	PLASTIC FILM, 63V 0.47UF J
C864	76567224	PLASTIC FILM, 50V 0.22UF J
C865	76567224	PLASTIC FILM, 50V 0.22UF J
C866	76092341	CERAMIC DISC, 2KV R 470PF K
C868	76435221	CERAMIC DISC, 500V SL 220PF J
C869	76435221	CERAMIC DISC, 500V SL 220PF J
\triangle C870	76503425	PLASTIC FILM CQ92 3D2J473J-K5
C872	76073189	ELECTROLYTIC, 35V 1000UF M

Location No.	Parts No.	Description
C873	76073189	ELECTROLYTIC, 35V 1000UF M
C876	76073204	ELECTROLYTIC CE04P 50V 330UF M 3A
C877	76669229	ELECTROLYTIC, 50V 2.2UF M
C878	76503041	PLASTIC FILM , 63V 0.1UF J
C880	76503229	PLASTIC FILM, 1250VH 1000PF H
C881	76092337	CERAMIC DISC, 2KV 220PF K
C882	76567334	PLASTIC FILM, 50V 0.33UF J
C883	76212221	CERAMIC DISC, 50V B 220PF K
C884	76073196	ELECTROLYTIC, 50V 22UF M 3A
C885	76214471	CERAMIC DISC, 500V B 470PF K
C886	76212152	CERAMIC DISC, 50V B 1500PF K
C887	76214471	CERAMIC DISC, 500V B 470PF K
C888	76073189	ELECTROLYTIC, 35V 1000UF M
C889	76073189	ELECTROLYTIC, 35V 1000UF M
C890	76796102	ELECTROLYTIC, 35V 1000UF M
C891	76214471	CERAMIC DISC, 500V B 470PF K
C892	76676100	ELECTROLYTIC, 100V 10UF M 3A
C893	76747220	ELECTROLYTIC, 50V 22UF M 7L 3A
C894	76214471	CERAMIC DISC, 500V B 470PF K
C895	76073188	ELECTROLYTIC, 35V 680UF M
C896	76073188	ELECTROLYTIC, 35V 680UF M
C897	76796102	ELECTROLYTIC, 35V 1000UF M
C898	76669010	ELECTROLYTIC, 50V 1UF M
C8171	76092730	CERAMIC CHIP, 16V B 0.1UF K
C8191	76092730	CERAMIC CHIP, 16V B 0.1UF K
C8210	76105331	CERAMIC CHIP, 50V CH 330PF J
C8211	76815473	CERAMIC CHIP, 50V B 0.047UF K
C8212	76092178	CERAMIC CHIP, 25V B 0.1UF K
C8213	76109102	CERAMIC CHIP, 50V B 1000PF K
C8241	76073196	ELECTROLYTIC, 50V 22UF M 3A
C8250	76092341	CERAMIC DISC, 2KV R 470PF K
C8251	76434100	CERAMIC DISC, 500V SL 10PF D
C8390	76109102	CERAMIC CHIP, 50V B 1000PF K
C8401	76092733	CERAMIC CHIP, 50V B 0.022UF K
C8402	76092733	CERAMIC CHIP, 50V B 0.022UF K
C8403	76669470	ELECTROLYTIC, 50V 47UF M
C8490	76669010	ELECTROLYTIC, 50V 1UF M
C8601	76591682	PLASTIC FILM, 50V 6800PF J
C8602	76212101	CERAMIC DISC, 50V B 100PF K
C8605	76285104	CERAMIC CHIP, 50V B 0.1UF K
C8701	76567224	PLASTIC FILM, 50V 0.22UF J
C8702	76287224	CHIP CER 50V F 224Z GRM319F11H224ZA01D
C8703	76109102	CERAMIC CHIP, 50V B 1000PF K
C8801	76092730	CERAMIC CHIP, 16V B 0.1UF K
C8802	76092883	CERAMIC CHIP, 50V B 0.1UF K
C8891	76503049	PLASTIC FILM, 63V 0.47UF J
CB01	76202221	ELECTROLYTIC, 10V 220UF M 7L 3A
CB02	76202221	ELECTROLYTIC, 10V 220UF M 7L 3A
CB03	76100104	CERAMIC CHIP, 25V F 0.1UF Z
CB04	76100104	CERAMIC CHIP, 25V F 0.1UF Z
CB05	76202221	ELECTROLYTIC, 10V 220UF M 7L 3A
CB38	76100104	CERAMIC CHIP, 25V F 0.1UF Z
CC11	76109102	CERAMIC CHIP, 50V B 1000PF K
CC12	76109102	CERAMIC CHIP, 50V B 1000PF K
CC14	76109102	CERAMIC CHIP, 50V B 1000PF K
CC15	76109102	CERAMIC CHIP, 50V B 1000PF K
CC16	76109102	CERAMIC CHIP, 50V B 1000PF K
CC17	76109102	CERAMIC CHIP, 50V B 1000PF K
CC21	76109102	CERAMIC CHIP, 50V B 1000PF K
CC33	76109102	CERAMIC CHIP, 50V B 1000PF K
CC40	76109102	CERAMIC CHIP, 50V B 1000PF K
CC41	76109102	CERAMIC CHIP, 50V B 1000PF K
CC59	76109102	CERAMIC CHIP, 50V B 1000PF K
CC60	76109102	CERAMIC CHIP, 50V B 1000PF K
CC61	76109102	CERAMIC CHIP, 50V B 1000PF K
CC62	76109102	CERAMIC CHIP, 50V B 1000PF K
CC63	76109102	CERAMIC CHIP, 50V B 1000PF K
CC64	76109102	CERAMIC CHIP, 50V B 1000PF K
CC65	76109102	CERAMIC CHIP, 50V B 1000PF K
CC66	76109102	CERAMIC CHIP, 50V B 1000PF K
CC67	76109102	CERAMIC CHIP, 50V B 1000PF K
CC68	76109102	CERAMIC CHIP, 50V B 1000PF K
CC69	76109102	CERAMIC CHIP, 50V B 1000PF K
CC70	76109102	CERAMIC CHIP, 50V B 1000PF K
CC74	76109102	CERAMIC CHIP, 50V B 1000PF K
CC75	76109102	CERAMIC CHIP, 50V B 1000PF K

Location No.	Parts No.	Description
CC79	76109102	CERAMIC CHIP, 50V B 1000PF K
CC82	76109102	CERAMIC CHIP, 50V B 1000PF K
CE10	76666470	ELECTORLYTIC, 16V 47UF M 3A
CE11	76539474	PLASTIC FILM, 50V 0.47UF J
CE12	76666470	ELECTORLYTIC, 16V 47UF M 3A
CE60	76073186	ELECTROLYTIC, 35V 470UF M
CE61	76617028	ELECTROLYTIC, 16V 1200UF M
CE62	76073020	ELECTROLYTIC, 10V 1000UF M 3A
CE63	76539104	PLASTIC FILM, 50V 0.1UF J
CE64	76539104	PLASTIC FILM, 50V 0.1UF J
CE65	76666470	ELECTORLYTIC, 16V 47UF M 3A
CE66	76539474	PLASTIC FILM, 50V 0.47UF J
CE67	76666470	ELECTORLYTIC, 16V 47UF M 3A
CE90	76073186	ELECTROLYTIC, 35V 470UF M
CE91	76617028	ELECTROLYTIC, 16V 1200UF M
CE92	76666471	ELECTROLYTIC, 16V 470UF M
CE93	76539104	PLASTIC FILM, 50V 0.1UF J
CE94	76539104	PLASTIC FILM, 50V 0.1UF J
CE95	76668101	ELECTROLYTIC, 16V 47UF M 3A
CR26	76100104	CERAMIC CHIP, 25V F 0.1UF Z
CR27	76619157	ELECTROLYTIC CHIP, 16V 100UF
CR28	76100104	CERAMIC CHIP, 25V F 0.1UF Z
CS01	76092731	CERAMIC CHIP, 16V B 1UF K
CS02	76092515	CERAMIC CHIP, 16V F 4.7UF Z
CS03	76092726	CERAMIC CHIP, 10V B 2.2UF K
CS04	76092726	CERAMIC CHIP, 10V B 2.2UF K
CS05	76092726	CERAMIC CHIP, 10V B 2.2UF K
CS06	76092726	CERAMIC CHIP, 10V B 2.2UF K
CS08	76092611	CERAMIC CHIP, 6.3V B 2.2UF K
CS09	76092611	CERAMIC CHIP, 6.3V B 2.2UF K
CS10	76092628	CERAMIC CHIP, 6.3V B 10UF K
CS11	76092628	CERAMIC CHIP, 6.3V B 10UF K
CS12	76109473	CERAMIC CHIP, 25V B 0.047UF K
CS13	76092628	CERAMIC CHIP, 6.3V B 10UF K
CS14	76092628	CERAMIC CHIP, 6.3V B 10UF K
CS15	76092628	CERAMIC CHIP, 6.3V B 10UF K
CS16	76092628	CERAMIC CHIP, 6.3V B 10UF K
CS26	76619100	ELECTROLYTIC CHIP, 16V 10UF M
CS39	76092573	CERAMIC CHIP, 16V B 0.47UF K
CS40	76092611	CERAMIC CHIP, 6.3V B 2.2UF K
CS41	76092611	CERAMIC CHIP, 6.3V B 2.2UF K
CS42	76092611	CERAMIC CHIP, 6.3V B 2.2UF K
CS43	76092611	CERAMIC CHIP, 6.3V B 2.2UF K
CS44	76092611	CERAMIC CHIP, 6.3V B 2.2UF K
CS45	76092611	CERAMIC CHIP, 6.3V B 2.2UF K
CS46	76092611	CERAMIC CHIP, 6.3V B 2.2UF K
CS47	76092611	CERAMIC CHIP, 6.3V B 2.2UF K
CS48	76092611	CERAMIC CHIP, 6.3V B 2.2UF K
CS49	76092611	CERAMIC CHIP, 6.3V B 2.2UF K
CS50	76092611	CERAMIC CHIP, 6.3V B 2.2UF K
CS51	76092611	CERAMIC CHIP, 6.3V B 2.2UF K
CS52	76092611	CERAMIC CHIP, 6.3V B 2.2UF K
CS53	76092611	CERAMIC CHIP, 6.3V B 2.2UF K
CS54	76092611	CERAMIC CHIP, 6.3V B 2.2UF K
CS55	76092611	CERAMIC CHIP, 6.3V B 2.2UF K
CS56	76092611	CERAMIC CHIP, 6.3V B 2.2UF K
CS57	76619102	ELECTROLYTIC CHIP, 16V 47UF M
CS62	76092611	CERAMIC CHIP, 6.3V B 2.2UF K
CS64	76619101	ELECTROLYTIC CHIP, 16V 22UF M
CS85	76092611	CERAMIC CHIP, 6.3V B 2.2UF K
CS86	76092611	CERAMIC CHIP, 6.3V B 2.2UF K
CT01	76092790	CERAMIC CHIP CK732B 6.3V 10UF K
CT04	76105151	CERAMIC CHIP, 50V CH 150PF J
CT05	76092790	CERAMIC CHIP CK732B 6.3V 10UF K
CT06	76092790	CERAMIC CHIP CK732B 6.3V 10UF K
CT07	76092790	CERAMIC CHIP CK732B 6.3V 10UF K
CT08	76100104	CERAMIC CHIP, 25V F 0.1UF Z
CT09	76109103	CERAMIC CHIP, 50V B 0.01UF K
CV01	76666471	ELECTROLYTIC, 16V 470UF M
CV02	76100104	CERAMIC CHIP, 25V F 0.1UF Z
CV03	76100104	CERAMIC CHIP, 25V F 0.1UF Z
CV04	76100104	CERAMIC CHIP, 25V F 0.1UF Z
CV12	76092731	CERAMIC CHIP, 16V B 1UF K
CV13	76092731	CERAMIC CHIP, 16V B 1UF K
CV14	76092731	CERAMIC CHIP, 16V B 1UF K
CV15	76100104	CERAMIC CHIP, 25V F 0.1UF Z

Location No.	Parts No.	Description
CV16	76092731	CERAMIC CHIP, 16V B 1UF K
CV17	76092731	CERAMIC CHIP, 16V B 1UF K
CV18	76100104	CERAMIC CHIP, 25V F 0.1UF Z
CV19	76092731	CERAMIC CHIP, 16V B 1UF K
CV20	76092731	CERAMIC CHIP, 16V B 1UF K
CV21	76092731	CERAMIC CHIP, 16V B 1UF K
CV22	76092731	CERAMIC CHIP, 16V B 1UF K
CV23	76092731	CERAMIC CHIP, 16V B 1UF K
CV24	76092731	CERAMIC CHIP, 16V B 1UF K
CV25	76092731	CERAMIC CHIP, 16V B 1UF K
CV26	76092731	CERAMIC CHIP, 16V B 1UF K
CV27	76092731	CERAMIC CHIP, 16V B 1UF K
CV28	76092731	CERAMIC CHIP, 16V B 1UF K
CV29	76092731	CERAMIC CHIP, 16V B 1UF K
CV33	76100104	CERAMIC CHIP, 25V F 0.1UF Z
CV34	76100104	CERAMIC CHIP, 25V F 0.1UF Z
CV35	76619157	ELECTROLYTIC CHIP, 16V 100UF
CV36	76100104	CERAMIC CHIP, 25V F 0.1UF Z
CV40	76100104	CERAMIC CHIP, 25V F 0.1UF Z
CV41	76100104	CERAMIC CHIP, 25V F 0.1UF Z
CV50	76619102	ELECTROLYTIC CHIP, 16V 47UF M
CV51	76619102	ELECTROLYTIC CHIP, 16V 47UF M
CV52	76619102	ELECTROLYTIC CHIP, 16V 47UF M
CV53	76100104	CERAMIC CHIP, 25V F 0.1UF Z
CV54	76100104	CERAMIC CHIP, 25V F 0.1UF Z
CV55	76100104	CERAMIC CHIP, 25V F 0.1UF Z
CV56	76619157	ELECTROLYTIC CHIP, 16V 100UF
CV57	76619157	ELECTROLYTIC CHIP, 16V 100UF
CV58	76619157	ELECTROLYTIC CHIP, 16V 100UF
CV59	76666471	ELECTROLYTIC, 16V 470UF M
CV60	76666471	ELECTROLYTIC, 16V 470UF M
CV61	76666471	ELECTROLYTIC, 16V 470UF M
CV62	76100104	CERAMIC CHIP, 25V F 0.1UF Z
CV63	76666471	ELECTROLYTIC, 16V 470UF M
CV72	76619101	ELECTROLYTIC CHIP, 16V 22UF M
CV121	76109103	CERAMIC CHIP, 50V B 0.01UF K
CV122	76105101	CERAMIC CHIP, 50V CH 100PF J
CY01	76100104	CERAMIC CHIP, 25V F 0.1UF Z
CY02	76100104	CERAMIC CHIP, 25V F 0.1UF Z
CY03	76100104	CERAMIC CHIP, 25V F 0.1UF Z
CY650	76109103	CERAMIC CHIP, 50V B 0.01UF K
RESISTORS		
R103	76011101	CHIP, 1/20W 100 OHM J
R104	76011103	CHIP, 1/20W 10K OHM J
R105	76011273	CHIP, 1/20W 27K OHM J
R107	76000445	CHIP JUMPER, 1608TYPE
R108	76000445	CHIP JUMPER, 1608TYPE
R114	76000445	CHIP JUMPER, 1608TYPE
R167	76011101	CHIP, 1/20W 100 OHM J
R169	76000445	CHIP JUMPER, 1608TYPE
R170	76011682	CHIP, 1/20W 6.8K OHM J
R501	76011682	CHIP, 1/20W 6.8K OHM J
R502	76011272	CHIP, 1/20W 2.7K OHM J
R504	76011101	CHIP, 1/20W 100 OHM J
R505	76011101	CHIP, 1/20W 100 OHM J
R506	76011273	CHIP, 1/20W 27K OHM J
R507	76011392	CHIP, 1/20W 3.9K OHM J
R508	76011682	CHIP, 1/20W 6.8K OHM J
R512	76011101	CHIP, 1/20W 100 OHM J
R514	76011102	CHIP, 1/20W 1K OHM J
R607	76011223	CHIP, 1/20W 22K OHM J
R617	76011104	CHIP, 1/20W 100K OHM J
R620	76011223	CHIP, 1/20W 22K OHM J
R621	76011472	CHIP, 1/20W 4.7K OHM J
R650	76011102	CHIP, 1/20W 1K OHM J
R651	76011473	CHIP, 1/20W 47K OHM J
R652	76011103	CHIP, 1/20W 10K OHM J
R653	76011223	CHIP, 1/20W 22K OHM J
R654	76011103	CHIP, 1/20W 10K OHM J
R655	76011222	CHIP, 1/20W 2.2K OHM J
R664	76011104	CHIP, 1/20W 100K OHM J
R665	76011104	CHIP, 1/20W 100K OHM J
R667	76011104	CHIP, 1/20W 100K OHM J
R670	76011472	CHIP, 1/20W 4.7K OHM J
R671	76011182	CHIP, 1/20W 1.8K OHM J

Location No.	Parts No.	Description
R672	76011472	CHIP, 1/20W 4.7K OHM J
R673	76011182	CHIP, 1/20W 1.8K OHM J
R675	76011102	CHIP, 1/20W 1K OHM J
R676	76011473	CHIP, 1/20W 47K OHM J
R677	76011473	CHIP, 1/20W 47K OHM J
R684	76871229	CHIP, 1/8W 2.2 OHM J
R685	76871229	CHIP, 1/8W 2.2 OHM J
R687	76871102	CHIP, 1/8W 1K OHM J
R688	76871102	CHIP, 1/8W 1K OHM J
R689	76871102	CHIP, 1/8W 1K OHM J
R695	76871102	CHIP, 1/8W 1K OHM J
R696	76871102	CHIP, 1/8W 1K OHM J
R697	76000576	CHIP JUMPER, 3216TYPE
R698	76871102	CHIP, 1/8W 1K OHM J
△ R801	76017004	METAL GLAZE 1/2W 510K J
△ R809	76004718	METAL GLAZE, 1/2W 8.2M OHM J
R812	76011473	CHIP, 1/20W 47K OHM J
R820	76019461	METAL PLATE, 2W 0.15 OHM J
R821	76019461	METAL PLATE, 2W 0.15 OHM J
R826	76004714	METAL GLAZE, 1/2W 1.2M OHM J
△ R830	76007061	CERAMIC COVERED, 2W 1.8 OHM K
R831	76120003	CERAMIC COVERED G 5W 4.7 J
R840	76382823	OXIDE FILM 1W 82K J
R841	76322339	METAL FILM 1W 3R3 J
R842	76310479	OXIDE METAL FILM, 1/2W 4.7 OHM J
R860	76552271	OXIDE METAL FILM, 1/2W 270 OHM J
R862	76552681	OXIDE METAL FILM, 1/2W 680 OHM J
R863	76011272	CHIP, 1/20W 2.7K OHM J
R864	76552101	OXIDE METAL FILM, 1/2W 100 OHM J
R865	76552100	OXIDE METAL FILM, 1/2W 10 OHM J
R867	76552330	OXIDE METAL FILM, 1/2W 33 OHM J
R880	76553683	OXIDE METAL FILM, 1W 68K OHM J
R881	76553683	OXIDE METAL FILM, 1W 68K OHM J
R882	76323569	METAL FILM 2W 5R6 J
R883	76079010	METAL RES 2W R47 J
R884	76321339	OXIDE METAL FILM, 1/2W 3.3 OHM J
R885	76553101	OXIDE METAL FILM, 1W 100 OHM J
R886	76554432	OXIDE FILM 2W 4.3K J
R4100	76011102	CHIP, 1/20W 1K OHM J
R4101	76011681	CHIP, 1/20W 680 OHM J
R4102	76011471	CHIP, 1/20W 470 OHM J
R4103	76011102	CHIP, 1/20W 1K OHM J
R4104	76011152	CHIP, 1/20W 1.5K OHM J
R4105	76011102	CHIP, 1/20W 1K OHM J
R4106	76011681	CHIP, 1/20W 680 OHM J
R4107	76011471	CHIP, 1/20W 470 OHM J
R4108	76011102	CHIP, 1/20W 1K OHM J
R4109	76011152	CHIP, 1/20W 1.5K OHM J
R4120	76000445	CHIP JUMPER, 1608TYPE
R4122	76000445	CHIP JUMPER, 1608TYPE
R6603	76011223	CHIP, 1/20W 22K OHM J
R6605	76011103	CHIP, 1/20W 10K OHM J
R6606	76011104	CHIP, 1/20W 100K OHM J
R6607	76011102	CHIP, 1/20W 1K OHM J
R8110	76000250	METAL FILM, 1/4W 56K OHM F
R8111	76000250	METAL FILM, 1/4W 56K OHM F
R8112	76000250	METAL FILM, 1/4W 56K OHM F
R8113	76000250	METAL FILM, 1/4W 56K OHM F
R8114	76000527	METAL FILM, 1/4W 5.6K OHM F
R8115	76000639	METAL FILM, 1/4W 22K OHM F
R8116	76000554	CHIP 1/16W 510 F
R8117	76000574	METAL FILM CHIP 1/16W 2.7K F
R8118	76000574	METAL FILM CHIP 1/16W 2.7K F
R8130	76871182	CHIP, 1/8W 1.8K OHM J
R8131	76871182	CHIP, 1/8W 1.8K OHM J
R8132	76871182	CHIP, 1/8W 1.8K OHM J
R8133	76011102	CHIP, 1/20W 1K OHM J
R8140	76011682	CHIP, 1/20W 6.8K OHM J
R8141	76011473	CHIP, 1/20W 47K OHM J
R8142	76872470	CHIP, 1/16W 47 OHM J
R8143	76872470	CHIP, 1/16W 47 OHM J
R8144	76872390	CHIP, 1/16W 39 OHM J
R8150	76011562	CHIP, 1/20W 5.6K OHM J
R8151	76011222	CHIP, 1/20W 2.2K OHM J
R8152	76011473	CHIP, 1/20W 47K OHM J
R8160	76011103	CHIP, 1/20W 10K OHM J

Location No.	Parts No.	Description
R8161	76011473	CHIP, 1/20W 47K OHM J
R8162	76011103	CHIP, 1/20W 10K OHM J
R8191	76000445	CHIP JUMPER, 1608TYPE
R8192	76011471	CHIP, 1/20W 470 OHM J
R8193	76011102	CHIP, 1/20W 1K OHM J
R8194	76011151	CHIP, 1/20W 150 OHM J
R8195	76011151	CHIP, 1/20W 150 OHM J
R8210	76998471	CHIP, 1/16W 470 OHM
R8212	76998102	CHIP, 1/16W 1K OHM
R8213	76011222	CHIP, 1/20W 2.2K OHM J
R8214	76000445	CHIP JUMPER, 1608TYPE
R8215	76998222	CHIP, 1/16W 2.2K OHM
R8216	76998222	CHIP, 1/16W 2.2K OHM
R8217	76011229	CHIP, 1/16W 2.2 OHM J
R8218	76998152	CHIP, 1/16W 1.5K OHM D
R8230	76872332	CHIP, 1/16W 3.3K OHM J
R8231	76011223	CHIP, 1/20W 22K OHM J
R8232	76011472	CHIP, 1/20W 4.7K OHM J
R8233	76011473	CHIP, 1/20W 47K OHM J
R8240	76190015	CHIP RES 1/16W 473D
R8241	76190015	CHIP RES 1/16W 473D
R8242	76190015	CHIP RES 1/16W 473D
R8243	76190015	CHIP RES 1/16W 473D
R8244	76190015	CHIP RES 1/16W 473D
R8245	76190015	CHIP RES 1/16W 473D
R8246	76190015	CHIP RES 1/16W 473D
R8247	76190015	CHIP RES 1/16W 473D
R8248	76190015	CHIP RES 1/16W 473D
R8249	76000445	CHIP JUMPER, 1608TYPE
R8310	76011223	CHIP, 1/20W 22K OHM J
R8312	76011471	CHIP, 1/20W 470 OHM J
R8313	76011102	CHIP, 1/20W 1K OHM J
R8390	76011473	CHIP, 1/20W 47K OHM J
R8391	76011102	CHIP, 1/20W 1K OHM J
R8392	76011681	CHIP, 1/20W 680 OHM J
R8393	76011681	CHIP, 1/20W 680 OHM J
R8394	76011681	CHIP, 1/20W 680 OHM J
R8395	76011681	CHIP, 1/20W 680 OHM J
R8396	76011222	CHIP, 1/20W 2.2K OHM J
R8403	76011102	CHIP, 1/20W 1K OHM J
R8404	76011101	CHIP, 1/20W 100 OHM J
R8405	76011102	CHIP, 1/20W 1K OHM J
R8406	76011473	CHIP, 1/20W 47K OHM J
R8407	76000572	CHIP 1/16W 3.3K F
R8408	76000422	CHIP 1/16W 2.2K F
R8409	76011102	CHIP, 1/20W 1K OHM J
R8410	76000445	CHIP JUMPER, 1608TYPE
R8411	76321479	OXIDE METAL FILM, 1/2W 4.7 OHM J
R8412	76871822	CHIP, 1/8W 8.2K OHM J
R8601	76000247	METAL FILM, 1/4W 39K OHM F
R8602	76366472	CARBON FILM, 1/6W 4.7K OHM J
R8603	76011103	CHIP, 1/20W 10K OHM J
R8604	76011102	CHIP, 1/20W 1K OHM J
R8605	76011472	CHIP, 1/20W 4.7K OHM J
R8606	76011103	CHIP, 1/20W 10K OHM J
R8607	76872221	CHIP, 1/16W 220 OHM J
R8701	76000595	CHIP 1/16W 15K F
R8702	76190012	METAL FILM CHIP 1/16W 1.5K F
R8703	76011221	CHIP, 1/20W 220 OHM J
R8704	76000445	CHIP JUMPER, 1608TYPE
R8705	76011220	CHIP, 1/20W 22 OHM J
R8706	76011103	CHIP, 1/20W 10K OHM J
R8707	76011103	CHIP, 1/20W 10K OHM J
R8709	76011101	CHIP, 1/20W 100 OHM J
R8710	76011101	CHIP, 1/20W 100 OHM J
R8711	76011223	CHIP, 1/20W 22K OHM J
R8712	76011473	CHIP, 1/20W 47K OHM J
R8713	76011103	CHIP, 1/20W 10K OHM J
R8714	76011102	CHIP, 1/20W 1K OHM J
R8715	76011102	CHIP, 1/20W 1K OHM J
R8716	76011103	CHIP, 1/20W 10K OHM J
R8801	76011102	CHIP, 1/20W 1K OHM J
R8802	76011102	CHIP, 1/20W 1K OHM J
R8803	76366221	CARBON FILM, 1/6W 220 OHM J
R8804	76871222	CHIP, 1/8W 2.2K OHM J
R8805	76011102	CHIP, 1/20W 1K OHM J

Location No.	Parts No.	Description
R8806	76011102	CHIP, 1/20W 1K OHM J
R8807	76011152	CHIP, 1/20W 1.5K OHM J
R8808	76011101	CHIP, 1/20W 100 OHM J
R8809	76011223	CHIP, 1/20W 22K OHM J
R8810	76000605	CHIP, 1/16W 6.8K OHM F
R8811	76190012	METAL FILM CHIP 1/16W 1.5K F
R8812	76000446	CHIP 1/16W 220 F
R8813	76000824	CHIP JUMPER, 2125TYPE
R8814	76011103	CHIP, 1/20W 10K OHM J
R8815	76872151	CHIP, 1/16W 150 OHM J
RA71	76011683	CHIP, 1/20W 68K OHM J
RA72	76011223	CHIP, 1/20W 22K OHM J
RA73	76011103	CHIP, 1/20W 10K OHM J
RA74	76000445	CHIP JUMPER, 1608TYPE
RA77	76011103	CHIP, 1/20W 10K OHM J
RA78	76000445	CHIP JUMPER, 1608TYPE
RA79	76000445	CHIP JUMPER, 1608TYPE
RB08	76011470	CHIP, 1/20W 47 OHM J
RB09	76011470	CHIP, 1/20W 47 OHM J
RB10	76011331	CHIP, 1/20W 330 OHM J
RB15	76011471	CHIP, 1/20W 470 OHM J
RB24	76000445	CHIP JUMPER, 1608TYPE
RC01	76011681	CHIP, 1/20W 680 OHM J
RC02	76011681	CHIP, 1/20W 680 OHM J
RC03	76011681	CHIP, 1/20W 680 OHM J
RC04	76011681	CHIP, 1/20W 680 OHM J
RC05	76011681	CHIP, 1/20W 680 OHM J
RC06	76011681	CHIP, 1/20W 680 OHM J
RC11	76011821	CHIP, 1/20W 820 OHM J
RC12	76011821	CHIP, 1/20W 820 OHM J
RC13	76011681	CHIP, 1/20W 680 OHM J
RC14	76011101	CHIP, 1/20W 100 OHM J
RC16	76011681	CHIP, 1/20W 680 OHM J
RC40	76011101	CHIP, 1/20W 100 OHM J
RC41	76011101	CHIP, 1/20W 100 OHM J
RC51	76011101	CHIP, 1/20W 100 OHM J
RC52	76011101	CHIP, 1/20W 100 OHM J
RC53	76011101	CHIP, 1/20W 100 OHM J
RE01	76366153	CARBON FILM, 1/6W 15K OHM J
RE02	76366473	CARBON FILM, 1/6W 47K OHM J
RE03	76366153	CARBON FILM, 1/6W 15K OHM J
RE06	76366473	CARBON FILM, 1/6W 47K OHM J
RE10	76367180	CARBON FILM, 1/6W 18 OHM G
RE11	76367222	CARBON FILM, 1/6W 2.2K OHM G
RE12	76366472	CARBON FILM, 1/6W 4.7K OHM J
RE13	76366102	CARBON FILM, 1/6W 1K OHM J
RE18	76366153	CARBON FILM, 1/6W 15K OHM J
RE19	76366473	CARBON FILM, 1/6W 47K OHM J
RE60	76000142	METAL FILM, 1/4W 240 OHM F
RE61	76000360	METAL FILM, 1/4W 1.2K OHM F
RE63	76366102	CARBON FILM, 1/6W 1K OHM J
RE65	76367620	CARBON FILM 1/6W 62 G
RE66	76367222	CARBON FILM, 1/6W 2.2K OHM G
RE90	76000358	METAL FILM, 1/4W 1K OHM F
RE91	76182046	METAL FILM 1/4W 680 F
RE92	76366101	CARBON FILM, 1/6W 100 OHM J
RE93	76366102	CARBON FILM, 1/6W 1K OHM J
RE94	76553680	OXIDE METAL FILM, 1W 68 OHM J
RE95	76552102	OXIDE METAL FILM, 1/2W 1K OHM J
RE96	76366473	CARBON FILM, 1/6W 47K OHM J
RE97	76366472	CARBON FILM, 1/6W 4.7K OHM J
RE98	76366473	CARBON FILM, 1/6W 47K OHM J
RE99	76366101	CARBON FILM, 1/6W 100 OHM J
RR01	76871750	CHIP, 1/8W 75 OHM J
RR02	76871750	CHIP, 1/8W 75 OHM J
RR03	76871750	CHIP, 1/8W 75 OHM J
RR04	76011330	CHIP, 1/20W 33 OHM J
RR05	76011330	CHIP, 1/20W 33 OHM J
RR06	76011330	CHIP, 1/20W 33 OHM J
RR10	76011101	CHIP, 1/20W 100 OHM J
RR11	76011101	CHIP, 1/20W 100 OHM J
RR13	76011101	CHIP, 1/20W 100 OHM J
RR14	76011101	CHIP, 1/20W 100 OHM J
RR15	76011332	CHIP, 1/20W 3.3K OHM J
RR16	76011102	CHIP, 1/20W 1K OHM J
RS01	76011222	CHIP, 1/20W 2.2K OHM J

Location No.	Parts No.	Description
RS03	76011101	CHIP, 1/20W 100 OHM J
RS04	76011101	CHIP, 1/20W 100 OHM J
RS05	76011101	CHIP, 1/20W 100 OHM J
RS06	76011101	CHIP, 1/20W 100 OHM J
RS07	76011104	CHIP, 1/20W 100K OHM J
RS08	76011104	CHIP, 1/20W 100K OHM J
RS09	76011104	CHIP, 1/20W 100K OHM J
RS10	76011104	CHIP, 1/20W 100K OHM J
RS11	76011223	CHIP, 1/20W 22K OHM J
RS12	76011104	CHIP, 1/20W 100K OHM J
RS13	76011104	CHIP, 1/20W 100K OHM J
RS16	76011473	CHIP, 1/20W 47K OHM J
RS17	76011473	CHIP, 1/20W 47K OHM J
RS18	76011103	CHIP, 1/20W 10K OHM J
RS19	76011104	CHIP, 1/20W 100K OHM J
RS20	76011104	CHIP, 1/20W 100K OHM J
RS21	76011473	CHIP, 1/20W 47K OHM J
RS22	76011473	CHIP, 1/20W 47K OHM J
RS23	76011223	CHIP, 1/20W 22K OHM J
RS24	76011223	CHIP, 1/20W 22K OHM J
RS25	76011223	CHIP, 1/20W 22K OHM J
RS26	76011223	CHIP, 1/20W 22K OHM J
RS27	76011222	CHIP, 1/20W 2.2K OHM J
RS28	76011222	CHIP, 1/20W 2.2K OHM J
RS29	76011102	CHIP, 1/20W 1K OHM J
RS30	76011102	CHIP, 1/20W 1K OHM J
RS31	76011104	CHIP, 1/20W 100K OHM J
RS32	76011104	CHIP, 1/20W 100K OHM J
RS33	76011473	CHIP, 1/20W 47K OHM J
RS34	76011473	CHIP, 1/20W 47K OHM J
RS35	76011104	CHIP, 1/20W 100K OHM J
RS36	76011101	CHIP, 1/20W 100 OHM J
RS37	76011223	CHIP, 1/20W 22K OHM J
RS38	76011223	CHIP, 1/20W 22K OHM J
RS39	76011101	CHIP, 1/20W 100 OHM J
RS40	76011472	CHIP, 1/20W 4.7K OHM J
RS41	76011472	CHIP, 1/20W 4.7K OHM J
RS42	76011472	CHIP, 1/20W 4.7K OHM J
RS43	76011472	CHIP, 1/20W 4.7K OHM J
RS44	76011472	CHIP, 1/20W 4.7K OHM J
RS45	76011472	CHIP, 1/20W 4.7K OHM J
RS46	76011472	CHIP, 1/20W 4.7K OHM J
RS47	76011472	CHIP, 1/20W 4.7K OHM J
RS48	76011472	CHIP, 1/20W 4.7K OHM J
RS49	76011472	CHIP, 1/20W 4.7K OHM J
RS50	76011472	CHIP, 1/20W 4.7K OHM J
RS51	76011472	CHIP, 1/20W 4.7K OHM J
RS52	76011472	CHIP, 1/20W 4.7K OHM J
RS53	76011472	CHIP, 1/20W 4.7K OHM J
RS54	76011472	CHIP, 1/20W 4.7K OHM J
RS55	76011472	CHIP, 1/20W 4.7K OHM J
RS56	76011472	CHIP, 1/20W 4.7K OHM J
RS57	76011104	CHIP, 1/20W 100K OHM J
RS58	76011101	CHIP, 1/20W 100 OHM J
RS59	76011101	CHIP, 1/20W 100 OHM J
RS60	76011101	CHIP, 1/20W 100 OHM J
RS61	76011101	CHIP, 1/20W 100 OHM J
RS62	76011472	CHIP, 1/20W 4.7K OHM J
RS63	76011473	CHIP, 1/20W 47K OHM J
RS64	76011682	CHIP, 1/20W 6.8K OHM J
RS65	76011182	CHIP, 1/20W 1.8K OHM J
RS66	76011100	CHIP, 1/20W 10 OHM J
RS67	76011101	CHIP, 1/20W 100 OHM J
RS68	76011101	CHIP, 1/20W 100 OHM J
RS69	76011222	CHIP, 1/20W 2.2K OHM J
RS70	76011222	CHIP, 1/20W 2.2K OHM J
RS71	76011102	CHIP, 1/20W 1K OHM J
RS72	76011102	CHIP, 1/20W 1K OHM J
RS73	76011391	CHIP, 1/20W 390 OHM J
RS74	76011104	CHIP, 1/20W 100K OHM J
RS76	76011101	CHIP, 1/20W 100 OHM J
RS77	76011472	CHIP, 1/20W 4.7K OHM J
RS78	76011102	CHIP, 1/20W 1K OHM J
RS79	76011101	CHIP, 1/20W 100 OHM J
RS80	76011472	CHIP, 1/20W 4.7K OHM J
RS81	76011102	CHIP, 1/20W 1K OHM J

Location No.	Parts No.	Description
RS85	76011472	CHIP, 1/20W 4.7K OHM J
RS86	76011472	CHIP, 1/20W 4.7K OHM J
RS87	76011101	CHIP, 1/20W 100 OHM J
RS88	76011101	CHIP, 1/20W 100 OHM J
RS89	76011104	CHIP, 1/20W 100K OHM J
RS90	76011391	CHIP, 1/20W 390 OHM J
RS91	76011473	CHIP, 1/20W 47K OHM J
RS96	76011223	CHIP, 1/20W 22K OHM J
RS97	76011223	CHIP, 1/20W 22K OHM J
RS529	76011223	CHIP, 1/20W 22K OHM J
RS530	76011103	CHIP, 1/20W 10K OHM J
RT01	76011101	CHIP, 1/20W 100 OHM J
RT02	76011273	CHIP, 1/20W 27K OHM J
RT03	76011683	CHIP, 1/20W 68K OHM J
RT04	76011102	CHIP, 1/20W 1K OHM J
RT05	76011101	CHIP, 1/20W 100 OHM J
RT06	76011391	CHIP, 1/20W 390 OHM J
RT07	76011821	CHIP, 1/20W 820 OHM J
RT08	76011151	CHIP, 1/20W 150 OHM J
RT09	76011471	CHIP, 1/20W 470 OHM J
RT10	76011101	CHIP, 1/20W 100 OHM J
RT11	76011471	CHIP, 1/20W 470 OHM J
RT12	76011102	CHIP, 1/20W 1K OHM J
RV01	76011101	CHIP, 1/20W 100 OHM J
RV02	76011101	CHIP, 1/20W 100 OHM J
RV03	76011101	CHIP, 1/20W 100 OHM J
RV04	76011101	CHIP, 1/20W 100 OHM J
RV05	76011101	CHIP, 1/20W 100 OHM J
RV06	76011101	CHIP, 1/20W 100 OHM J
RV07	76011101	CHIP, 1/20W 100 OHM J
RV08	76011101	CHIP, 1/20W 100 OHM J
RV09	76011562	CHIP, 1/20W 5.6K OHM J
RV10	76011101	CHIP, 1/20W 100 OHM J
RV11	76011101	CHIP, 1/20W 100 OHM J
RV12	76011101	CHIP, 1/20W 100 OHM J
RV13	76011101	CHIP, 1/20W 100 OHM J
RV14	76011101	CHIP, 1/20W 100 OHM J
RV15	76011101	CHIP, 1/20W 100 OHM J
RV16	76011101	CHIP, 1/20W 100 OHM J
RV17	76011101	CHIP, 1/20W 100 OHM J
RV18	76011101	CHIP, 1/20W 100 OHM J
RV19	76011101	CHIP, 1/20W 100 OHM J
RV20	76011101	CHIP, 1/20W 100 OHM J
RV21	76011101	CHIP, 1/20W 100 OHM J
RV22	76011101	CHIP, 1/20W 100 OHM J
RV26	76011101	CHIP, 1/20W 100 OHM J
RV27	76011101	CHIP, 1/20W 100 OHM J
RV28	76011103	CHIP, 1/20W 10K OHM J
RV29	76011103	CHIP, 1/20W 10K OHM J
RV30	76019388	CHIP, 1/16W 10K OHM F
RV31	76019388	CHIP, 1/16W 10K OHM F
RV32	76019388	CHIP, 1/16W 10K OHM F
RV33	76989227	CHIP, 1/16W 5.1K OHM F
RV34	76989227	CHIP, 1/16W 5.1K OHM F
RV35	76989227	CHIP, 1/16W 5.1K OHM F
RV36	76019349	CHIP, 1/16W 1K OHM F
RV37	76019349	CHIP, 1/16W 1K OHM F
RV38	76019349	CHIP, 1/16W 1K OHM F
RV39	76011470	CHIP, 1/20W 47 OHM J
RV40	76011101	CHIP, 1/20W 100 OHM J
RV41	76011101	CHIP, 1/20W 100 OHM J
RV43	76011101	CHIP, 1/20W 100 OHM J
RV44	76011101	CHIP, 1/20W 100 OHM J
RV45	76871681	CHIP, 1/8W 680 OHM J
RV46	76871331	CHIP, 1/8W 330 OHM J
RV47	76011121	CHIP, 1/20W 120 OHM J
RV48	76011121	CHIP, 1/20W 120 OHM J
RV49	76871331	CHIP, 1/8W 330 OHM J
RV50	76011101	CHIP, 1/20W 100 OHM J
RV51	76011101	CHIP, 1/20W 100 OHM J
RV53	76011101	CHIP, 1/20W 100 OHM J
RV54	76011222	CHIP, 1/20W 2.2K OHM J
RV55	76011121	CHIP, 1/20W 120 OHM J
RV56	76011101	CHIP, 1/20W 100 OHM J
RV57	76011101	CHIP, 1/20W 100 OHM J
RV58	76871271	CHIP, 1/8W 270 OHM J

Location No.	Parts No.	Description
RV59	76871271	CHIP, 1/8W 270 OHM J
RV61	76011104	CHIP, 1/20W 100K OHM J
RV64	76011470	CHIP, 1/20W 47 OHM J
RV65	76011470	CHIP, 1/20W 47 OHM J
RV80	76872750	CHIP, 1/16W 75 OHM J
RV81	76872750	CHIP, 1/16W 75 OHM J
RV82	76872750	CHIP, 1/16W 75 OHM J
RV121	76872750	CHIP, 1/16W 75 OHM J
RV122	76872750	CHIP, 1/16W 75 OHM J
RV123	76872750	CHIP, 1/16W 75 OHM J
RV129	76011101	CHIP, 1/20W 100 OHM J
RV212	76872750	CHIP, 1/16W 75 OHM J
RV213	76872750	CHIP, 1/16W 75 OHM J
RV214	76872750	CHIP, 1/16W 75 OHM J
RV215	76872750	CHIP, 1/16W 75 OHM J
RV216	76872472	CHIP, 1/16W 4.7K OHM J
RV218	76872750	CHIP, 1/16W 75 OHM J
RV219	76872750	CHIP, 1/16W 75 OHM J
RV220	76872750	CHIP, 1/16W 75 OHM J
RV229	76872750	CHIP, 1/16W 75 OHM J
RV231	76011100	CHIP, 1/20W 10 OHM J
RV232	76011100	CHIP, 1/20W 10 OHM J
RV233	76011100	CHIP, 1/20W 10 OHM J
RV235	76872750	CHIP, 1/16W 75 OHM J
RV236	76872750	CHIP, 1/16W 75 OHM J
RV237	76872750	CHIP, 1/16W 75 OHM J
RV238	76872472	CHIP, 1/16W 4.7K OHM J
RV240	76872750	CHIP, 1/16W 75 OHM J
RV241	76872750	CHIP, 1/16W 75 OHM J
RV250	76872750	CHIP, 1/16W 75 OHM J
RV251	76872750	CHIP, 1/16W 75 OHM J
RY01	76011101	CHIP, 1/20W 100 OHM J
RY02	76011101	CHIP, 1/20W 100 OHM J
RY03	76011101	CHIP, 1/20W 100 OHM J
RY04	76871271	CHIP, 1/8W 270 OHM J
RY05	76871271	CHIP, 1/8W 270 OHM J
RY06	76871271	CHIP, 1/8W 270 OHM J
RY07	76011470	CHIP, 1/20W 47 OHM J
RY08	76011470	CHIP, 1/20W 47 OHM J
RY09	76011470	CHIP, 1/20W 47 OHM J
GC01	76000445	CHIP JUMPER, 1608TYPE
GC02	76000445	CHIP JUMPER, 1608TYPE
GC03	76000445	CHIP JUMPER, 1608TYPE
GC04	76000445	CHIP JUMPER, 1608TYPE
GC06	76000445	CHIP JUMPER, 1608TYPE
GE92	76366161	CARBON FILM 1/6W 160 J
GJ413	76000445	CHIP JUMPER, 1608TYPE
GJ414	76000445	CHIP JUMPER, 1608TYPE
GJ603	76000445	CHIP JUMPER, 1608TYPE
GR02	76000445	CHIP JUMPER, 1608TYPE
GR03	76000445	CHIP JUMPER, 1608TYPE
GR25	76000445	CHIP JUMPER, 1608TYPE
GR26	76000445	CHIP JUMPER, 1608TYPE
GR27	76000445	CHIP JUMPER, 1608TYPE
GR28	76000445	CHIP JUMPER, 1608TYPE
GR101	76000445	CHIP JUMPER, 1608TYPE
GR102	76000445	CHIP JUMPER, 1608TYPE
GR103	76000445	CHIP JUMPER, 1608TYPE
GR501	76000445	CHIP JUMPER, 1608TYPE
GR605	76000445	CHIP JUMPER, 1608TYPE
GR610	76000445	CHIP JUMPER, 1608TYPE
GR611	76000445	CHIP JUMPER, 1608TYPE
GRR04	76000445	CHIP JUMPER, 1608TYPE
GRR05	76000445	CHIP JUMPER, 1608TYPE
GRR14	76000445	CHIP JUMPER, 1608TYPE
GRR15	76000445	CHIP JUMPER, 1608TYPE
GRR16	76000445	CHIP JUMPER, 1608TYPE
GRR44	76000445	CHIP JUMPER, 1608TYPE
GRV07	76000445	CHIP JUMPER, 1608TYPE
GRV08	76000445	CHIP JUMPER, 1608TYPE
GRV09	76000445	CHIP JUMPER, 1608TYPE
GRV10	76000445	CHIP JUMPER, 1608TYPE
GRV11	76000445	CHIP JUMPER, 1608TYPE
GRV12	76000445	CHIP JUMPER, 1608TYPE
GRV15	76000445	CHIP JUMPER, 1608TYPE
GRV16	76000445	CHIP JUMPER, 1608TYPE

Location No.	Parts No.	Description
GRV19	76000445	CHIP JUMPER, 1608TYPE
GRV33	76000445	CHIP JUMPER, 1608TYPE
GRV34	76000445	CHIP JUMPER, 1608TYPE
GRV35	76000445	CHIP JUMPER, 1608TYPE
GRV36	76000445	CHIP JUMPER, 1608TYPE
GRV37	76000445	CHIP JUMPER, 1608TYPE
GRV38	76000445	CHIP JUMPER, 1608TYPE
GRV39	76000445	CHIP JUMPER, 1608TYPE
GRV40	76000445	CHIP JUMPER, 1608TYPE
GRV41	76000445	CHIP JUMPER, 1608TYPE
GRV42	76000445	CHIP JUMPER, 1608TYPE
GRV43	76000445	CHIP JUMPER, 1608TYPE
GRV44	76000445	CHIP JUMPER, 1608TYPE
GRV51	76000445	CHIP JUMPER, 1608TYPE
GRV52	76000445	CHIP JUMPER, 1608TYPE
GRV53	76000445	CHIP JUMPER, 1608TYPE
GRY01	76000445	CHIP JUMPER, 1608TYPE
GRY02	76000445	CHIP JUMPER, 1608TYPE
GRY03	76000445	CHIP JUMPER, 1608TYPE
GRY04	76000445	CHIP JUMPER, 1608TYPE
GRY05	76000445	CHIP JUMPER, 1608TYPE
GRY06	76000445	CHIP JUMPER, 1608TYPE
GT01	76000445	CHIP JUMPER, 1608TYPE
GT02	76000445	CHIP JUMPER, 1608TYPE
COILS & TRANSFORMERS		
L101	23248398	COIL, CHOKE, TLN3278D
L102	23103828	INDUCTOR, BEAD, TEM2121M
L103	23103828	INDUCTOR, BEAD, TEM2121M
L104	23103828	INDUCTOR, BEAD, TEM2121M
L105	23277002	FERRITE CORE, ACM3225-102-2PT100
L190	23103828	INDUCTOR, BEAD, TEM2121M
L505	23289022	COIL, PEAKING, TRF4100AT
L820	23248491	COIL, CHOKE 26X13 108MMH 5A TLN3641AF
L821	23248491	COIL, CHOKE 26X13 108MMH 5A TLN3641AF
L824	23103330	FILTER, FERRITE CHOKE 3.5X5X2 TEM2014AH
L825	23103304	FERRITE CHOKE, TEM2011AA
L840	23289981	COIL, PEAKING, TRF4330AZ
L860	23103320	COIL, CHOKE, TEM2011
L862	23103320	COIL, CHOKE, TEM2011
L870	23103320	COIL, CHOKE, TEM2011
L871	23103320	COIL, CHOKE, TEM2011
L878	23248489	COIL, CHOKE COIL 1.5MMH 8A TLN3639AH
L880	23103304	FERRITE CHOKE, TEM2011AA
L881	23248388	COIL, CHOKE 9X11H 4.7MMHK 4.0A TLN3515AA
L883	23103304	FERRITE CHOKE, TEM2011AA
L884	23248387	COIL, CHOKE 9X11H 22MMHK 2.5A TLN3499AA
L886	23103304	FERRITE CHOKE, TEM2011AA
L8211	23103330	FILTER, FERRITE CHOKE 3.5X5X2 TEM2014AH
L8212	23103330	FILTER, FERRITE CHOKE 3.5X5X2 TEM2014AH
LC01	23103828	INDUCTOR, BEAD, TEM2121M
LC02	23103828	INDUCTOR, BEAD, TEM2121M
LC03	23103828	INDUCTOR, BEAD, TEM2121M
LC04	23103828	INDUCTOR, BEAD, TEM2121M
LC05	23103828	INDUCTOR, BEAD, TEM2121M
LC13	23103828	INDUCTOR, BEAD, TEM2121M
LC21	23103828	INDUCTOR, BEAD, TEM2121M
LC22	23103828	INDUCTOR, BEAD, TEM2121M
LC23	23103828	INDUCTOR, BEAD, TEM2121M
LC24	23103828	INDUCTOR, BEAD, TEM2121M
LC25	23103828	INDUCTOR, BEAD, TEM2121M
LC26	23103828	INDUCTOR, BEAD, TEM2121M
LC27	23103828	INDUCTOR, BEAD, TEM2121M
LC28	23103828	INDUCTOR, BEAD, TEM2121M
LC29	23103828	INDUCTOR, BEAD, TEM2121M
LC30	23103828	INDUCTOR, BEAD, TEM2121M
LC31	23103238	INDUCTOR, BEAD, TEM2142AD
LC32	23103238	INDUCTOR, BEAD, TEM2142AD
LC33	23103238	INDUCTOR, BEAD, TEM2142AD
LE10	23289980	COIL, PEAKING, TRF4220AZ
LE60	23248456	COIL, CHOKE, TLN3540AH
LE61	23289980	COIL, PEAKING, TRF4220AZ
LE62	23248432	COIL, CHOKE, TLN3499AH
LE90	23248456	COIL, CHOKE, TLN3540AH
LE91	23289980	COIL, PEAKING, TRF4220AZ
LE92	23248432	COIL, CHOKE, TLN3499AH

Location No.	Parts No.	Description
LT01	23289028	COIL, PEAKING, TRF4101AT
LV01	23277002	FERRITE CORE, ACM3225-102-2PT100
LV02	23277002	FERRITE CORE, ACM3225-102-2PT100
LV03	23277002	FERRITE CORE, ACM3225-102-2PT100
LV15	23289022	COIL, PEAKING, TRF4100AT
△ T801	23211904	COIL, LINE FILTER 35X34H 10MH TRF3255AF
△ T802	23211904	COIL, LINE FILTER 35X34H 10MH TRF3255AF
△ T820	23217799	TRANSFORMER, CONVERTER TPW3564AS
△ T822	23248490	COIL, CHOKE EI25 5.3MMH 8.0A TLN3640AH
△ T840	23217800	TRANSFORMER, CONVERTER TPW3565AS
△ T860	23217802	TRANSFORMER, CONVERTER TPW3567AS
△ T880	23217801	TRANSFORMER, CONVERTER TPW3566AS
SEMICONDUCTORS		
IC414	23085938	IC, BU4242G-TR
Q101	23205506	TRANSISTOR, 2SC4081 Q
Q501	23085049	IC, TB1274BFG(DRY)
Q504	23205507	TRANSISTOR, 2SA1576A Q
Q610	23085039	IC, TA8246AHQ
Q612	23205443	TRANSISTOR, 2SA1162-Y(F)
Q615	23205325	TRANSISTOR, RN2404(F)
Q620	23205506	TRANSISTOR, 2SC4081 Q
Q621	23205506	TRANSISTOR, 2SC4081 Q
Q622	23205506	TRANSISTOR, 2SC4081 Q
Q627	23205325	TRANSISTOR, RN2404(F)
Q664	23205506	TRANSISTOR, 2SC4081 Q
Q665	23205325	TRANSISTOR, RN2404(F)
Q671	23205302	TRANSISTOR, 2SC3326-B(F)
Q672	23205302	TRANSISTOR, 2SC3326-B(F)
Q812	23205506	TRANSISTOR, 2SC4081 Q
△ Q813	23000823	IC, PHOTO COUPLER, TLP421F(GR)
Q814	23205506	TRANSISTOR, 2SC4081 Q
Q815	23205506	TRANSISTOR, 2SC4081 Q
Q816	23205506	TRANSISTOR, 2SC4081 Q
Q820	23135094	IC, PFC 7PIN SRX2039
△ Q821	23000823	IC, PHOTO COUPLER, TLP421F(GR)
Q822	23205339	TRANSISTOR, 2SC2655-Y(F)
Q840	23135083	IC, HYBRID VDSS=800V
△ Q841	23000823	IC, PHOTO COUPLER, TLP421F(GR)
Q842	23085389	IC, NJM431L
Q860	23135066	IC, STRZ4479
△ Q862	23000823	IC, PHOTO COUPLER, TLP421F(GR)
△ Q863	23000823	IC, PHOTO COUPLER, TLP421F(GR)
Q864	23205339	TRANSISTOR, 2SC2655-Y(F)
Q870	23085389	IC, NJM431L
Q880	23135072	IC, STRW6765
△ Q881	23000823	IC, PHOTO COUPLER, TLP421F(GR)
Q882	23085389	IC, NJM431L
Q4100	23085635	TRANSISTOR, 2SC3437-Y(TE85L,F)
Q4101	23085635	TRANSISTOR, 2SC3437-Y(TE85L,F)
Q4102	23085635	TRANSISTOR, 2SC3437-Y(TE85L,F)
Q4103	23085635	TRANSISTOR, 2SC3437-Y(TE85L,F)
Q8191	23205506	TRANSISTOR, 2SC4081 Q
Q8230	23205328	TRANSISTOR, RN1405(F)
Q8231	23205506	TRANSISTOR, 2SC4081 Q
Q8310	23205328	TRANSISTOR, RN1405(F)
Q8311	23205506	TRANSISTOR, 2SC4081 Q
Q8312	23205506	TRANSISTOR, 2SC4081 Q
Q8390	23205506	TRANSISTOR, 2SC4081 Q
△ Q8391	23000823	IC, PHOTO COUPLER, TLP421F(GR)
Q8601	23205329	TRANSISTOR, RN1404(F)
Q8602	23205506	TRANSISTOR, 2SC4081 Q
Q8701	23205506	TRANSISTOR, 2SC4081 Q
Q8702	23205329	TRANSISTOR, RN1404(F)
Q8703	23205328	TRANSISTOR, RN1405(F)
Q8704	23085338	IC, BD5245G-TR
Q8801	23205329	TRANSISTOR, RN1404(F)
Q8802	23205329	TRANSISTOR, RN1404(F)
QB04	23205463	TRANSISTOR, 2SC2712-Y(TE85L,F)
QB07	23205463	TRANSISTOR, 2SC2712-Y(TE85L,F)
QE01	23205376	TRANSISTOR, 2SC5343-YLK)
QE02	23205376	TRANSISTOR, 2SC5343-YLK)
QE03	23205315	TRANSISTOR, RN1206(F)
QE10	23135077	IC, SI-3090CA
QE11	23205315	TRANSISTOR, RN1206(F)
QE60	23085381	IC, SI-8050SS

Location No.	Parts No.	Description
QE65	23135076	IC, SI-3050C
QE90	23085381	IC, SI-8050SS
QE91	23205376	TRANSISTOR, 2SC5343-YLK)
QE92	23205339	TRANSISTOR, 2SC2655-Y(F)
QE93	23205315	TRANSISTOR, RN1206(F)
QE95	23205442	TRANSISTOR, 2SC33852
QR03	23318981	IC, MC14053BF
QR20	23205507	TRANSISTOR, 2SA1576A Q
QS01	23009916	IC, MM1631AJBE
QS02	23009614	IC, CD4053BNSR
QS03	23205302	TRANSISTOR, 2SC3326-B(F)
QS04	23205302	TRANSISTOR, 2SC3326-B(F)
QS05	23205325	TRANSISTOR, RN2404(F)
QS06	23205302	TRANSISTOR, 2SC3326-B(F)
QS07	23205302	TRANSISTOR, 2SC3326-B(F)
QS08	23205506	TRANSISTOR, 2SC4081 Q
QS09	23205506	TRANSISTOR, 2SC4081 Q
QS10	23205302	TRANSISTOR, 2SC3326-B(F)
QS11	23205302	TRANSISTOR, 2SC3326-B(F)
QS14	23205302	TRANSISTOR, 2SC3326-B(F)
QS18	23205302	TRANSISTOR, 2SC3326-B(F)
QS19	23205506	TRANSISTOR, 2SC4081 Q
QS20	23205506	TRANSISTOR, 2SC4081 Q
QS21	23205506	TRANSISTOR, 2SC4081 Q
QS41	23205506	TRANSISTOR, 2SC4081 Q
QS43	23205506	TRANSISTOR, 2SC4081 Q
QS52	23205463	TRANSISTOR, 2SC2712-Y(TE85L,F)
QS108	23205506	TRANSISTOR, 2SC4081 Q
QT01	23205507	TRANSISTOR, 2SA1576A Q
QT02	23205506	TRANSISTOR, 2SC4081 Q
QT03	23205507	TRANSISTOR, 2SA1576A Q
QT04	23085392	IC, MM1501XN
QT05	23205507	TRANSISTOR, 2SA1576A Q
QT06	23205402	TRANSISTOR, DTC144EUA
QV01	23009940	IC, MM1630AQ
QV03	23205506	TRANSISTOR, 2SC4081 Q
QV04	23205506	TRANSISTOR, 2SC4081 Q
QV06	23205506	TRANSISTOR, 2SC4081 Q
QV07	23205506	TRANSISTOR, 2SC4081 Q
QV10	23009418	IC, MM1505XNRE
QV11	23009418	IC, MM1505XNRE
QV12	23009418	IC, MM1505XNRE
QY01	23205506	TRANSISTOR, 2SC4081 Q
QY02	23205506	TRANSISTOR, 2SC4081 Q
QY03	23205506	TRANSISTOR, 2SC4081 Q
D607	23357802	DIODE, ZENER, MA8330-M
D612	23362140	DIODE, KDS160-RTK
D613	23362140	DIODE, KDS160-RTK
D614	23362140	DIODE, KDS160-RTK
D617	23362140	DIODE, KDS160-RTK
D618	23362140	DIODE, KDS160-RTK
D619	23362140	DIODE, KDS160-RTK
D640	23362140	DIODE, KDS160-RTK
D641	23362140	DIODE, KDS160-RTK
D674	23362140	DIODE, KDS160-RTK
D675	23362140	DIODE, KDS160-RTK
D809	76000656	VARISTOR, TNR15G471K
D811	23357841	DIODE, ZENER, MTZJ6.8A
D815	23357692	DIODE, ZENER, RD2.0ESA B2
D816	23357738	DIODE, ZENER, MA8047-L
D819	23357718	THYRISTOR, SF0R3G42(N,G5H1)
D820	23357913	DIODE, RBV-1506, LF-A
D821	23362240	DIODE, VRM=1200V IF(AV)=3A FMC-26UAR
D822	23362220	DIODE, VRM=600V IF=5A FMX-G16S
D823	23362223	DIODE, VRM=600V IF=1.2A DO201AD :RM3A,LF014-102
D825	23357899	DIODE, ZENER, MTZJ33A
D826	23357513	DIODE, EU2A
D828	76000656	VARISTOR, TNR15G471K
D841	23362221	DIODE, VRM=1000V 1.0A EM1C,LF-F7
D842	23362221	DIODE, VRM=1000V 1.0A EM1C,LF-F7
D843	23357854	DIODE, ZENER, MTZJ10B
D844	23357837	DIODE, ZENER, MTZJ5.6B
D845	23357510	DIODE, AG01
D846	23357513	DIODE, EU2A
D860	23357850	DIODE, ZENER, MTZJ9.1A
D861	23357893	DIODE, ZENER, MTZJ27C

Location No.	Parts No.	Description
D862	23357893	DIODE, ZENER, MTZJ27C
D863	23357854	DIODE, ZENER, MTZJ10B
D864	23357854	DIODE, ZENER, MTZJ10B
D865	23357513	DIODE, EU2A
D866	23357853	DIODE, ZENER, MTZJ10A
D870	23362219	DIODE, VRM=100V IF=20A FME-220A(023-108)
D871	23362219	DIODE, VRM=100V IF=20A FME-220A(023-108)
D874	23362219	DIODE, VRM=100V IF=20A FME-220A(023-108)
D880	23357513	DIODE, EU2A
D881	23357104	DIODE, 1SS244
D882	23357104	DIODE, 1SS244
D883	23357837	DIODE, ZENER, MTZJ5.6B
D884	23362219	DIODE, VRM=100V IF=20A FME-220A(023-108)
D885	23357513	DIODE, EU2A
D886	23357408	DIODE, FMX-12S(023-108)
D887	23357900	DIODE, ZENER, MTZJ33B
D888	23357848	DIODE, ZENER, MTZJ8.2B
D889	23357848	DIODE, ZENER, MTZJ8.2B
D890	23357847	DIODE, ZENER, MTZJ8.2A
D891	23357847	DIODE, ZENER, MTZJ8.2A
D892	23357892	DIODE, ZENER, MTZJ27B
D8230	23357792	DIODE, ZENER 22.80-23.97 MA8240-L, TX
D8231	23357703	DIODE, 1SS355
D8232	23357745	DIODE, ZENER, MA8056-M
D8271	23357697	DIODE, 1SS133
D8272	23357910	DIODE, ZENER, MTZJ39D
D8273	23357883	DIODE, ZENER, MTZJ22A
D8274	23357883	DIODE, ZENER, MTZJ22A
D8310	23357703	DIODE, 1SS355
D8311	23357745	DIODE, ZENER, MA8056-M
D8312	23357703	DIODE, 1SS355
D8313	23357762	DIODE, ZENER, MA8091-M
D8390	23357889	DIODE, ZENER, MTZJ24C
D8391	23357890	DIODE, ZENER, MTZJ24D
D8401	23357703	DIODE, 1SS355
D8402	23357703	DIODE, 1SS355
D8403	23357703	DIODE, 1SS355
D8404	23357703	DIODE, 1SS355
D8601	23357703	DIODE, 1SS355
D8602	23357731	DIODE, ZENER, MA8033-H
D8701	23357703	DIODE, 1SS355
D8702	23357703	DIODE, 1SS355
D8705	23357894	DIODE, ZENER, MTZJ27D
D8706	23357703	DIODE, 1SS355
D8801	23357703	DIODE, 1SS355
D8802	23357703	DIODE, 1SS355
D8803	23357778	DIODE, ZENER, MA8150-M
D8804	23357703	DIODE, 1SS355
D8805	23357745	DIODE, ZENER, MA8056-M
DA01	23357751	DIODE, ZENER, MA8068-M
DA06	23357751	DIODE, ZENER, MA8068-M
DA07	23357751	DIODE, ZENER, MA8068-M
DB01	23358606	DIODE, LED RED, SLR-56VC3FPQ
DB02	23358605	DIODE, LED GREEN, SLR-56MC3FPQR
DB20	23357406	DIODE, ZENER, UDZS5.6B
DB22	23357703	DIODE, 1SS355
DB23	23357703	DIODE, 1SS355
DE01	23357706	DIODE, AK04
DE02	23357706	DIODE, AK04
DE03	23357823	DIODE, ZENER, MTZJ3.6A
DE07	23357821	DIODE, ZENER, MTZJ3.3A
DE60	23357810	DIODE, FMB-G14L
DE61	23357697	DIODE, 1SS133
DE62	23357845	DIODE, ZENER, MTZJ7.5B
DE90	23357810	DIODE, FMB-G14L
DE91	23357697	DIODE, 1SS133
DE92	23357871	DIODE, ZENER, MTZJ15B
DE97	23357895	DIODE, ZENER, MTZJ30A
DE99	23357840	DIODE, ZENER, MTZJ6.2B
DR70	23362140	DIODE, KDS160-RTK
DR71	23362140	DIODE, KDS160-RTK
DS13	23362140	DIODE, KDS160-RTK
DS16	23357744	DIODE, ZENER, MA8056-L
DV01	23357762	DIODE, ZENER, MA8091-M
DV02	23357762	DIODE, ZENER, MA8091-M
DV03	23357762	DIODE, ZENER, MA8091-M

Location No.	Parts No.	Description
DV04	23357762	DIODE, ZENER, MA8091-M
DV05	23357762	DIODE, ZENER, MA8091-M
DV06	23357762	DIODE, ZENER, MA8091-M
DV07	23357762	DIODE, ZENER, MA8091-M
DV08	23357762	DIODE, ZENER, MA8091-M
DV09	23357762	DIODE, ZENER, MA8091-M
DV10	23357762	DIODE, ZENER, MA8091-M
DV11	23357762	DIODE, ZENER, MA8091-M
DV12	23357762	DIODE, ZENER, MA8091-M
DV13	23357762	DIODE, ZENER, MA8091-M
DV14	23357762	DIODE, ZENER, MA8091-M
DV15	23357762	DIODE, ZENER, MA8091-M
DV16	23357762	DIODE, ZENER, MA8091-M
DV17	23357762	DIODE, ZENER, MA8091-M
DV18	23357762	DIODE, ZENER, MA8091-M
DV19	23357762	DIODE, ZENER, MA8091-M
DV20	23357762	DIODE, ZENER, MA8091-M
DV21	23357762	DIODE, ZENER, MA8091-M
DV24	23357762	DIODE, ZENER, MA8091-M
DV30	23362140	DIODE, KDS160-RTK
DV31	23362140	DIODE, KDS160-RTK
DV32	23362140	DIODE, KDS160-RTK
DV33	23362140	DIODE, KDS160-RTK
DV34	23362140	DIODE, KDS160-RTK
DV35	23362140	DIODE, KDS160-RTK
KB01	23009710	IC, REMOCON RECEIVER, GP1UE281RK
MISCELLANEOUS		
A235	23717214	SCREW, BITTB3X12SBN
A370	23717267	SCREW, BITTB4X16 SBN
A375	23717214	SCREW, BITTB3X12SBN
A410	23717361	SCREW, PP3X8+SW+W SBN LOCK
A411	23717267	SCREW, BITTB4X16 SBN
A440	23738074	SCREW, PP 5X16 SW+W SBN
△ B001	23301656	DISPLAY, G5LPL42 LC420W02
B215	23469405	INSULATOR, INSULATOR AC
B310	23717219	SCREW, PP3X8+SW+W SBN
B315	23717214	SCREW, BITTB3X12SBN
△ F801	23144406	FUSE, CERA 5X20 250V 6.3A
F801A	23165433	FUSE HOLDER, 5.2
F801B	23165433	FUSE HOLDER, 5.2
△ F820	23144378	FUSE, RADIAL LEAD SUB-MINIATUR 250V 2A
△ F870	23144378	FUSE, RADIAL LEAD SUB-MINIATUR 250V 2A
MJ22	23389359	CABLE, FFC 0.5 50P L70 GOLD
MJ60	23389359	CABLE, FFC 0.5 50P L70 GOLD
MV99	23389348	FFC, 20706SFWR-P=1.0-L1-19-157 P1.00-19P-L165(WR)
MZ01	23368908	CABLE, LVDS30P170MM SHP T2 E30-X30
P602A	23713938	CONNECTOR, CONNECT B5B-PH-K-S(LF)
P661	23023302	EARPHONE JACK
P662	23023302	EARPHONE JACK
△ P801	23372353	POWER CORD, UK 250V3A FL/FUSE13 AC250V 3A FUSE13 @EZZB
△	23372298	POWER CORD, 250V2.5A @EZZC
△ P801A	23713702	PLUG, 2P 11.88MM W VT
P803A	23713764	PLUG, 13P
P803B	23713764	PLUG, 13P
P807A	23713764	PLUG, 13P
P807B	23713764	PLUG, 13P
P809A	23713763	PLUG, NP 2.5MM G, B12B-EH-F1A
P809B	23713763	PLUG, NP 2.5MM G, B12B-EH-F1A
P860	23713942	CONNECTOR, CONNECT B10B-PH-K-S(LF)
P861	23713942	CONNECTOR, CONNECT B10B-PH-K-S(LF)
PG01	23165495	TERMINAL, EARTH PHI3 MET31-0332
PG03	23165495	TERMINAL, EARTH PHI3 MET31-0332
PH01	23165460	TERMINAL, SINGLE ISA01-A
PH02	23165460	TERMINAL, SINGLE ISA01-A
PH03	23165460	TERMINAL, SINGLE ISA01-A
PJ21A	23713934	CONNECTOR, 2MM 3P S WHT B3B-PH-K-S(LF)
PJ22	23757180	CONNECTOR, FH12-50S-0.5SV(55)
PJ22A	23757176	CONNECTOR, IRS 9637S-50Y902 GLD
PJ41	23713943	CONNECTOR, CONNECT B11B-PH-K-S(LF)
PJ41A	23713943	CONNECTOR, CONNECT B11B-PH-K-S(LF)
PJ42	23713939	CONNECTOR, CONNECT B6B-PH-K-S(LF)
PJ42A	23713948	CONNECTOR, CONNECT S6B-PH-K-S(LF)
PJ60	23757180	CONNECTOR, FH12-50S-0.5SV(55)
PJ60A	23757176	CONNECTOR, IRS 9637S-50Y902 GLD
PJ610	23713819	SOCKET, TWG-P23X-A1

Signal (Scaler) Board - Service part Number

Series	Model	PANEL	Part Number (Service)	OPT1	OPT2	OPT3	OPT4
WL56	32WL56P(B)	SHP-32	23587821	35	00	0A	25
		AUO-32	23590399			0A	45
	32WL56P(G)	SHP-32	23587821			00	25
		AUO-32	23590400			00	45
	37WL56P(B)	LPL-37	23587823			0A	16
		AUO-37	23590401			0A	46
	37WL56P(G)	LPL-37	23587823			00	16
		AUO-37	23590402			00	46
	27WL56P(B)	CMO-27	23587825			0A	34
	27WL56P(G)	CMO-27	23587825			00	34
WL/WLT58	32WL58P(B)	SHP-32	23587827	71	00	0A	25
		LPL-32	23590403			0A	15
	32WL58P(G)	SHP-32	23587827			00	25
		LPL-32	23590404			00	15
	37WL58P(B)	SHP-37	23587829			0A	26
		LPL-37	23590405			0A	16
	37WL58P(G)	SHP-37	23587829			00	26
		LPL-37	23590406			00	16
	42WL58P(B)	LPL-42	23587831			0A	17
	42WL58P(G)	LPL-42	23587831			00	17
	32WLT58	SHP-32	23587833			2A	25
		LPL-32	23590407			2A	15
	37WLT58	SHP-37	23587834			2A	26
		LPL-37	23590408			2A	16
	42WLT58	LPL-42	23587835			2A	17

Key to Panel Type:

SHP= Sharp
 AUO=AUO
 LPL=LG Philips
 CMO=Chi Mei

Location No.	Parts No.	Description
PJ930	23713574	CONNECTOR, 7P TOPTYPE BM07B-SRSS-TBT(LF)
PP07	23528292	HOLDER, ABMM-A-D, (NO SERVICE)
PP08	23974994	BAND, KESSOKU
PP12	23974994	BAND, KESSOKU
PS01	23023440	JACK, PIN RA 2P SMK LPR8021-0110F
PS02	23023440	JACK, PIN RA 2P SMK LPR8021-0110F
PV01	23023271	JACK, PIN 6/6P JALCO, YKC21-4673N
PV02	23023272	JACK, PIN 2P YKC21-4112N
PV25A	23713944	CONNECTOR, CONNECT B12B-PH-K-S(LF)
PV60	23365275	JACK, PHONO 3P V-L-R YKC21
PV61	23023300	JACK, Y/C YKF51-5560
PV90	23713710	SOCKET, D-SUB 15P, KR-D-8622
SA01	23344505	SWITCH, PUSH 1C1P
SA02	23344505	SWITCH, PUSH 1C1P
SA03	23344505	SWITCH, PUSH 1C1P
SA04	23344505	SWITCH, PUSH 1C1P
SA05	23344505	SWITCH, PUSH 1C1P
SA06	23344505	SWITCH, PUSH 1C1P
SA07	23344505	SWITCH, PUSH 1C1P
△ SR80	23146588	RELAY, DLS5D1-O(M) 0.15W
△ SR81	23146584	RELAY, DC12V, TV5, DG-3
W661	23351322	SPEAKER, ASSY, 6X12+6X12+TW SPK-1470BO
X501	23153612	CRYSTAL, 16.200 25PPM 25OHM
ZA01	23103840	FERRITE CORE, TFE1013
ZA02	23103778	FERRITE CORE, TFE1008
PC BOARD ASSEMBLIES		
* U001	PD2238A1	SIGNAL (Scaler) see previous page
* U002A	75001532	PC BOARD ASSY, POWER PD2171A1
* U002B	75001533	PC BOARD ASSY, AC IN PD2171A2
* U003A	75001609	PC BOARD ASSY, PD2172A1 TN AV
* U003B	75001610	PC BOARD ASSY, PD2172A2 FRONT AV
* U003C	75001611	PC BOARD ASSY, PD2172A3 RMT LED
* U003D	75001612	PC BOARD ASSY, PD2172A4 KEY
* U003E	75001613	PC BOARD ASSY, PD2172A5 PC HDMI
* U004	75001700	PC BOARD ASSY, PD2173B1 LOW B
TUNER		
H001	23321543	TUNER, TIF EU HOR61 IEC PAL+L ENG37A13GF
ACCESSORIES		
A701A	23015152	CARTON, TOP CASE 42WL58P
A701B	23015153	CARTON, BOTTOM CASE 42WL58P
A702A	23580029	PACKING, TOP PACKING 42WL58P
A702B	23580030	PACKING, BOTTOM PACKING 42WL58P
A705	23518043	PACKING, JOINT, 3Z25P
△ Y101	23566684	OWNERS MANUAL, ENGLISH
Y101E	23566685	OWNERS MANUAL, EURO
Y130	23306643	REMOCON HAND UNIT IR, PDPPAL CT-90126
Y170	23845800	HOLDER, WIRE, NYLON66 D6.8
CABINET PARTS		
A201	23533543	COVER, FRONT BEZEL ASSY 42WL58P
A310	23533549	COVER, PIECE CENTER COVER ASSY 42WL58P
A320	23940438	PIECE, FRONT AV ASSY
A340	23940440	PIECE, CONTROL HOLDER ASSY
△ A401	23533544	COVER, BACK COVER 42WL58P
A420	23436883	FOOT, STAND ASSY
A445	23533547	COVER, BC STAND COVER 42WL58P
A450	23533546	COVER, BC TERMINAL COVER 42WL58P

Location No.	Parts No.	Description
--------------	-----------	-------------