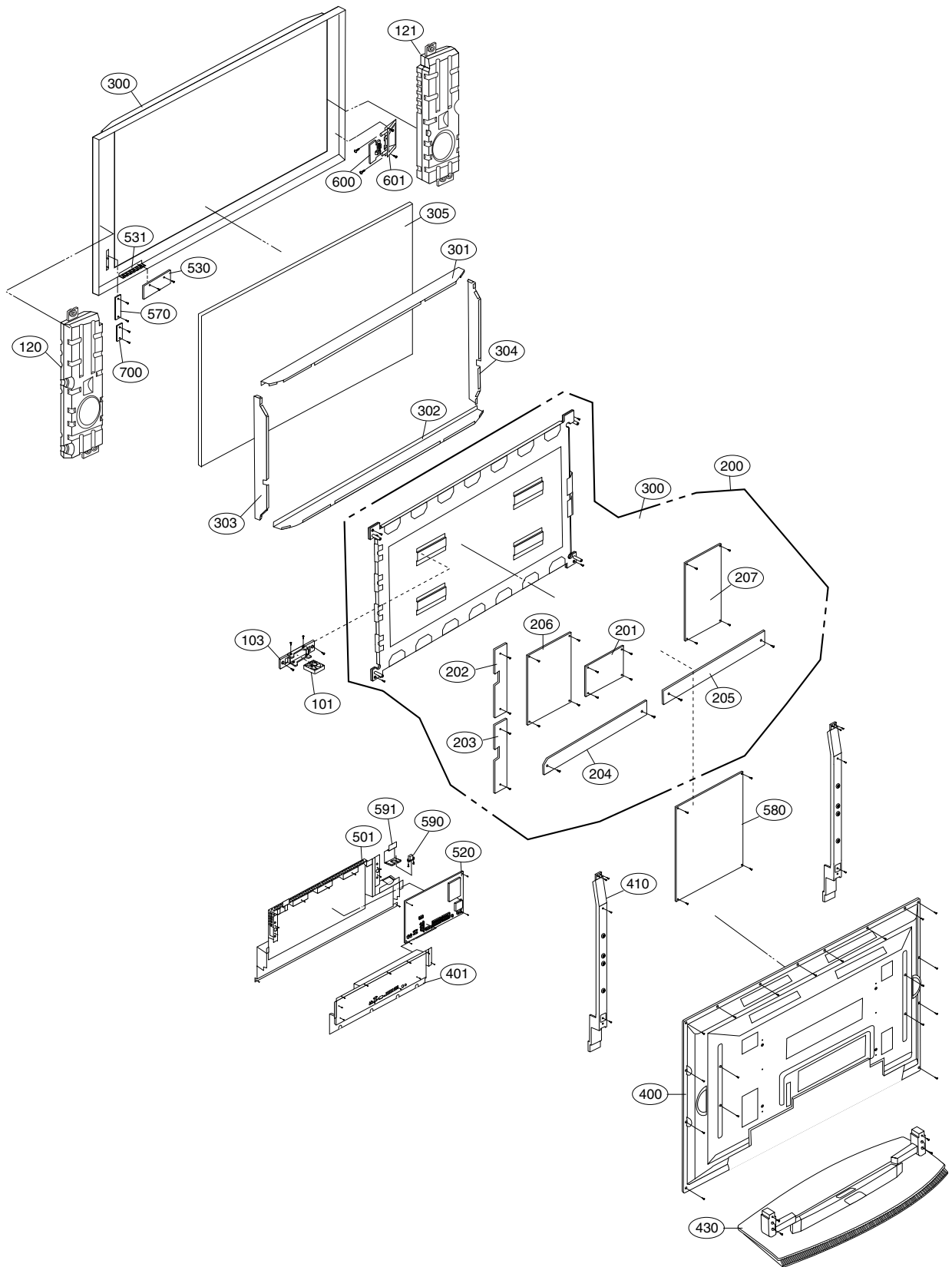


# EXPLODED VIEW



## EXPLODED VIEW PARTS LIST

No.	Part No.	Descriptions
101	5900V06008B	FAN,DC G6015S12B2-RG DONGYANG 60*60*15 7V 1900RPM 6/12V L=500MM
103	4980V00D43B	SUPPORTER, FAN SECC(EGI) MZ-42PM10 PRESS
120	6401VD0024A	SPEAKER ASSEMBLY, FULL RANGE(R) NON RZ-42PX40 R
121	6401VD0025A	SPEAKER ASSEMBLY, FULL RANGE(L) NON RZ-42PX40 L
200	6348Q-E101N	PDP, 42" 1024*768 PDP42X20422.ADLGB
201	6871QCH060B	PWB(PCB) ASSEMBLY,DISPLAY CTRL ASSY HAND INSERT 42X2AI
202	6871QDH090B	PWB(PCB) ASSEMBLY,DISPLAY YDRV ASSY HAND INSERT 42"HD 42X2A TOP
203	6871QDH091B	PWB(PCB) ASSEMBLY,DISPLAY YDRV ASSY HAND INSERT 42"HD 42X2A BTM
204	6871QLH037A	PWB(PCB) ASSEMBLY,DISPLAY XRLT ASSY HAND INSERT 42X2 X-LEFT(TCP)
205	6871QRH043A	PWB(PCB) ASSEMBLY,DISPLAY XRRT ASSY HAND INSERT 42X2 X-RIGHT (TCP)
206	6871QYH042B	PWB(PCB) ASSEMBLY,DISPLAY YSUS ASSY HAND INSERT 42"HD 42X2A
207	6871QZH047B	PWB(PCB) ASSEMBLY,DISPLAY ZSUS ASSY HAND INSERT 42"HD 4X2A
300	3091V00739N	CABINET ASSEMBLY, 42PX4R-ZA STEREO E_PHONE LGEFS (SKD)
301	4980V01128C	SUPPORTER, ASSY AL 42PX4D-UB 0.8T TOP C/SKD
302	4980V01130C	SUPPORTER, ASSY AL 42PX4D-UB 0.8T BOTTOM C/SKD
303	4980V01132C	SUPPORTER, ASSY AL 42PX4D-UB 0.8T RIGHT C/SKD
304	4980V01134C	SUPPORTER, ASSY AL 42PX4D-UB 0.8T LEFT C/SKD
305	5230V00019B	FILTER(MECH)- RT-42PX10 FG401PAA-05 LG CHEMICAL GLASS FILTER MECH
400	3809V00513L	BACK COVER ASSEMBLY, 42PX4RV-ZA SKD FOR LGEMA NO HANDLE
401	3301V00049B	PLATE ASSEMBLY, ASSY 3300V00440A RZ-42PX40 MF056A
410	4980V00C84D	SUPPORTER, ASSY AL 42PX4RV-MC LGEAZ CKD PH
430	3501V00216H	BOARD ASSEMBLY, ASSY AP-42DX40 PHANTOM 4980V00E63A
501	3301V00055A	PLATE ASSEMBLY, AV 3301V00053 3301V00054 RZ-42PX40 ASSY
520	6871VMMD73A	PWB(PCB) ASSEMBLY,MAIN MF-056B 42PX4R-ZA XGA MAIN
530	6871VSMS65A	PWB(PCB) ASSEMBLY,SUB CONT MF056A HURRICANE2
531	5020V01022B	BUTTON. CONTROL DU-42PX51X ABS, AF-303S 8KEY TITAN GRAY
570	6871VSMS27A	PWB(PCB) ASSEMBLY,SUB LED MF056A H2 RT-42PX40X INDEX
580	3501V00220A	POWER SUPPLY ASSEMBLY, MF056A HURRICANE2 FREE VOLTAGE SANKEN
590	6200J000115	Filter,AC Line IJ-N06CESL1 5.3mH 250VAC 6A 0.22uF 1000pF
591	4980V00C50E	Supporter, PRESS SECC T1.2 FILTER SECC(EGI) SUPP.LINE FILTER
600	6871VSMS18A	PWB(PCB) ASSEMBLY,SUB A/V MF056B H2 50PX4R-ZB SIDE AV
601	4811V00357A	BRACKET ASSEMBLY, SIDE AV MF056A SECOND TOOL FOR LGEMA PHANTOM
700	6500VR0002A	SENSOR, YGCA-T068A LG INNOTEK AMBIENT LIGHT DIGITAL EYE ASSY

# REPLACEMENT PARTS LIST

LOCA. NO	PART NO	DESCRIPTION	LOCA. NO	PART NO	DESCRIPTION
<b>IC</b>					
IC1000	0IPRPM001A	MIC39100 MICREL 3P SOT223 R/TP	Q1001	0TR387500AA	CHIP 2SC3875S(ALY) BK KEC
IC1001	0IMCRRH001A	BA033FP-E2 ROHM 3P-SOP,TO252-3	Q1002	0TR387500AA	CHIP 2SC3875S(ALY) BK KEC
IC1002	0IMCRFA010A	KA7809R, FAIRCHILD 2P D-PAK, R/TP	Q1003	0TR387500AA	CHIP 2SC3875S(ALY) BK KEC
IC1003	0IPMG00027A	SC156515M-1.8TR SEMTECH 5P/TO-263-5	Q1004	0TR387500AA	CHIP 2SC3875S(ALY) BK KEC
IC1004	0IMCRRH001A	BA033FP-E2 ROHM 3P-SOP,TO252-3	Q101	0TR387500AA	CHIP 2SC3875S(ALY) BK KEC
IC1005	0IMCRRH001A	BA033FP-E2 ROHM 3P-SOP,TO252-3	Q102	0TR102008AA	KRA102S R/TP KEC SOT23 CHIP TR
IC101	0IMI623200B	M62320FP,I/O EXPANDER 16P SOP TP	Q103	0TR387500AA	CHIP 2SC3875S(ALY) BK KEC
IC102	0IMCRFA015A	KA7805R FAIRCHILD 2P D-PAK R/TP 500MA	Q103	0TR387500AA	CHIP 2SC3875S(ALY) BK KEC
IC1100	0IMCRRH001A	BA033FP-E2 ROHM 3P-SOP,TO252-3	Q104	0TR387500AA	CHIP 2SC3875S(ALY) BK KEC
IC1101	0IPRPM001A	MIC39100 MICREL 3P SOT223 R/TP	Q104	0TR387500AA	CHIP 2SC3875S(ALY) BK KEC
IC1102	0IPMG00027A	SC156515M-1.8TR 5P/TO-263-5 R/TP	Q105	0TR387500AA	CHIP 2SC3875S(ALY) BK KEC
IC1103	0IPMGKE030A	KIA78R05F KEC 5PIN DPAK R/TP 1A,5V	Q106	0TR387500AA	CHIP 2SC3875S(ALY) BK KEC
IC1104	0IPMG00027A	SC156515M-1.8TR SEMTECH 5P/TO-263-5	Q107	0TR387500AA	CHIP 2SC3875S(ALY) BK KEC
IC1105	0IPRPM001A	MIC39100 MICREL 3P SOT223 R/TP	Q108	0TR387500AA	CHIP 2SC3875S(ALY) BK KEC
IC1200	0IPRPS5005A	SII9011CLU(PB FREE) SILICON IMAGE 128P	Q1200	0TR387500AA	CHIP 2SC3875S(ALY) BK KEC
IC1201	0IMMRAL014B	AT24C02N-10SI-2.7 ATMEL 8P SOIC R/TP	Q200	0TR150400BA	CHIP 2SA1504S(ASY) BK KEC
IC1300	0IMCRTH003A	THC63LVD104A 64P TQFP TRAY 10BIT	Q201	0TR387500AA	CHIP 2SC3875S(ALY) BK KEC
IC202	0IPMGON013B	MC34063ADR2G ON SEMI SO-8P R/TP	Q202	0TR387500AA	CHIP 2SC3875S(ALY) BK KEC
IC300	0ISO206900A	CXA2069Q QFP64 BK I2C BUS AV S/W	Q203	0TR150400BA	CHIP 2SA1504S(ASY) BK KEC
IC301	0ISA721700C	LA7217M MFP14 TP SYNC SEPARATOR	Q204	0TR150400BA	CHIP 2SA1504S(ASY) BK KEC
IC400	0IMCRMN028B	MSP4410K MICRONAS 80P/PQFP	Q205	0TR387500AA	CHIP 2SC3875S(ALY) BK KEC
IC401	0ILNR00015A	NSP-2100A,LF NEOFIDELITY TQFP 64P	Q206	0TR150400BA	CHIP 2SA1504S(ASY) BK KEC
IC402	0IMCRTI028C	TAS5122DCARG4,LF 56P/TSSOP R/TP	Q207	0TR150400BA	CHIP 2SA1504S(ASY) BK KEC
IC404	0IPH741400E	74HC14D 14SOP TP SHITTER TRIGGER	Q300	0TR387500AA	CHIP 2SC3875S(ALY) BK KEC
IC500	0IMMRAL014B	AT24C02N-10SI-2.7 ATMEL 8P SOIC R/TP	Q301	0TR387500AA	CHIP 2SC3875S(ALY) BK KEC
IC502	0IPH741400E	74HC14D 14SOP TP SHITTER TRIGGER	Q302	0TR387500AA	CHIP 2SC3875S(ALY) BK KEC
IC600	0IPRP00009A	ICL3232CBNZ INTERSIL 16P/SOP R/TP	Q303	0TR387500AA	CHIP 2SC3875S(ALY) BK KEC
IC601	0IPMGKE032A	KIA78R09F KEC 5PIN DPAK R/TP 1A,9V	Q304	0TR387500AA	CHIP 2SC3875S(ALY) BK KEC
IC602	0IPMGKE032A	KIA78R09F KEC 5PIN DPAK R/TP 1A,9V	Q305	0TR150400BA	CHIP 2SA1504S(ASY) BK KEC
IC603	0IPRPN0054A	LM75CIMX-3 8P/SOP R/TP TEMPERATURE SENSOR	Q400	0TR387500AA	CHIP 2SC3875S(ALY) BK KEC
IC700	0IMCR02006A	FLI8125BB-LF GENESIS 208P/PQFP	Q401	0TR387500AA	CHIP 2SC3875S(ALY) BK KEC
IC701	0IMMRAL025A	AT24C32AN-10SI-2.7 8PIN SOP TP 32K 3.3V	Q402	0TR387500AA	CHIP 2SC3875S(ALY) BK KEC
IC703	0IMMR00004A	SST25VF040-20-4C-S2AE-T SST SOIC 8P	Q403	0TR387500AA	CHIP 2SC3875S(ALY) BK KEC
IC800	0IMCR02005A	FLI8532BD-LF GENESIS 416P/PBGA	Q404	0TR387500AA	CHIP 2SC3875S(ALY) BK KEC
IC802	0IMMR00024A	24LC256T-I/SMG(PB FREE) MICRO	Q405	0TR102008AA	KRA102S R/TP KEC SOT23 CHIP TR
IC900	692791001AB	SOFT WARE, 2.02V 1491 PDP MF056B	Q407	0TR387500AA	CHIP 2SC3875S(ALY) BK KEC
IC901	0IMMR00002A	K4D261638F-LC50,LF TSOPII 66P	Q408	0TR102008AA	KRA102S R/TP KEC SOT23 CHIP TR
IC902	0IMMR00002A	K4D261638F-LC50,LF TSOPII 66P	Q409	0TR387500AA	CHIP 2SC3875S(ALY) BK KEC
S1	692791002AB	SOFT WARE, 2.34V DB9B PDP MF056B	Q410	0TR387500AA	CHIP 2SC3875S(ALY) BK KEC
			Q411	0TR387500AA	CHIP 2SC3875S(ALY) BK KEC
<b>TRANSISTOR</b>			<b>DIODE</b>		
IC104	0TR830009BA	BSS83 TP PHILIPS N-CHANNEL S/W TR	D1005	0DD226239AA	KDS226 TP KEC
IC105	0TR830009BA	BSS83 TP PHILIPS N-CHANNEL S/W TR	D1006	0DD226239AA	KDS226 TP KEC
IC1202	0TR830009BA	BSS83 TP PHILIPS N-CHANNEL S/W TR	D1007	0DD226239AA	KDS226 TP KEC
IC1203	0TR830009BA	BSS83 TP PHILIPS N-CHANNEL S/W TR	D1008	0DD226239AA	KDS226 TP KEC
IC200	0TR830009BA	BSS83 TP PHILIPS N-CHANNEL S/W TR	D1009	0DD226239AA	KDS226 TP KEC
IC201	0TR830009BA	BSS83 TP PHILIPS N-CHANNEL S/W TR	D1010	0DD226239AA	KDS226 TP KEC
IC503	0TR830009BA	BSS83 TP PHILIPS N-CHANNEL S/W TR	D1012	0DD200009AF	RU2M V(1) TP R-TMD 400V 1.1A 20A 0.4US
IC504	0TR830009BA	BSS83 TP PHILIPS N-CHANNEL S/W TR	D1013	0DD200009AF	RU2M V(1) TP R-TMD 400V 1.1A 20A 0.4US
Q100	0TR387500AA	CHIP 2SC3875S(ALY) BK KEC	D102	0DD226239AA	KDS226 TP KEC
Q1000	0TR387500AA	CHIP 2SC3875S(ALY) BK KEC	D103	0DD226239AA	KDS226 TP KEC
			D104	0DD226239AA	KDS226 TP KEC

For Capacitor & Resistors, the characters at 2nd and 3rd digit in the P/No. means as follows;	CC, CX, CK, CN : Ceramic CQ : Polyester CE : Electrolytic	RD : Carbon Film RS : Metal Oxide Film RN : Metal Film RF : Fusible
--	---	--

LOCA. NO	PART NO	DESCRIPTION
D105	0DD226239AA	KDS226 TP KEC
D106	0DD226239AA	KDS226 TP KEC
D108	0DD226239AA	KDS226 TP KEC
D1100	0DD226239AA	KDS226 TP KEC
D1105	0DD226239AA	KDS226 TP KEC
D1106	0DD226239AA	KDS226 TP KEC
D1107	0DD226239AA	KDS226 TP KEC
D1109	0DD226239AA	KDS226 TP KEC
D1110	0DD226239AA	KDS226 TP KEC
D112	0DD226239AA	KDS226 TP KEC
D113	0DD226239AA	KDS226 TP KEC
D114	0DD226239AA	KDS226 TP KEC
D1200	0DD184009AA	KDS184 TP KEC - 85V - 300MA
D1201	0DS113379BA	1SS133 T-72 TP ROHM KOREA DO34 90V
D300	0DD226239AA	KDS226 TP KEC
D500	0DD226239AA	KDS226 TP KEC
D501	0DD226239AA	KDS226 TP KEC
D502	0DD226239AA	KDS226 TP KEC
D504	0DR050008AA	SD05.TC R/TP SEMTECH SOD323 5V 5A 15A
D505	0DR050008AA	SD05.TC R/TP SEMTECH SOD323 5V 5A 15A
D506	0DR050008AA	SD05.TC R/TP SEMTECH SOD323 5V 5A 15A
D600	0DD100009AM	EU1ZV(1) TP E/EO-TMD 200V 0.25A 15A 0.4US
ZD100	0DR050008AA	SD05.TC R/TP SEMTECH SOD323 5V 5A 15A
ZD101	0DR050008AA	SD05.TC R/TP SEMTECH SOD323 5V 5A 15A
ZD107	0DR050008AA	SD05.TC R/TP SEMTECH SOD323 5V 5A 15A
ZD300	0DR050008AA	SD05.TC R/TP SEMTECH SOD323 5V 5A 15A
ZD301	0DR050008AA	SD05.TC R/TP SEMTECH SOD323 5V 5A 15A
ZD400	0DZRM00248A	RLZ8.2B-TE11 ROHM R/TP LLDS(LL-34
ZD600	0DR050008AA	SD05.TC R/TP SEMTECH SOD323 5V 5A 15A
<b>CAPACITOR</b>		
C1000	0CE477SF6DC	470UF MVG 16V 20% R/TP(SMD) SMD
C1005	0CE477SF6DC	470UF MVG 16V 20% R/TP(SMD) SMD
C1007	0CE107SF6DC	100UF MVG 16V 20% SMD R/TP
C1009	0CE107SF6DC	100UF MVG 16V 20% SMD R/TP
C1010	0CE107SF6DC	100UF MVG 16V 20% SMD R/TP
C1019	0CE476SF6DC	47UF MVG 16V 20% SMD R/TP
C1022	0CE107SF6DC	100UF MVG 16V 20% SMD R/TP
C103	0CE4763F618	47UF SRE,SE 16V 20% FL TP 5
C1030	0CE476SF6DC	47UF MVG 16V 20% SMD R/TP
C1043	0CE476SF6DC	47UF MVG 16V 20% SMD R/TP
C1046	0CE477SF6DC	470UF MVG 16V 20% R/TP(SMD) SMD
C1047	0CE476SF6DC	47UF MVG 16V 20% SMD R/TP
C1050	0CE477SF6DC	470UF MVG 16V 20% R/TP(SMD) SMD
C1051	0CE477SF6DC	470UF MVG 16V 20% R/TP(SMD) SMD
C1064	0CE476SF6DC	47UF MVG 16V 20% SMD R/TP
C1065	0CE476SF6DC	47UF MVG 16V 20% SMD R/TP
C1066	0CE476SF6DC	47UF MVG 16V 20% SMD R/TP
C1067	0CE476SF6DC	47UF MVG 16V 20% SMD R/TP
C1068	0CE476SF6DC	47UF MVG 16V 20% SMD R/TP
C1069	0CE476SF6DC	47UF MVG 16V 20% SMD R/TP
C1071	0CE477SF6DC	470UF MVG 16V 20% R/TP(SMD) SMD

LOCA. NO	PART NO	DESCRIPTION
C1073	0CE477SF6DC	470UF MVG 16V 20% R/TP(SMD) SMD
C108	0CE227SF6DC	220UF MVG 16V 20% R/TP(SMD) SMD
C1082	0CE476SF6DC	47UF MVG 16V 20% SMD R/TP
C1083	0CE476SF6DC	47UF MVG 16V 20% SMD R/TP
C1084	0CE476SF6DC	47UF MVG 16V 20% SMD R/TP
C1085	0CE476SF6DC	47UF MVG 16V 20% SMD R/TP
C1087	0CE477SF6DC	470UF MVG 16V 20% R/TP(SMD) SMD
C109	0CE106SF6DC	10UF MVG 16V 20% R/TP(SMD) SMD
C1098	0CE476SF6DC	47UF MVG 16V 20% SMD R/TP
C1099	0CE476SF6DC	47UF MVG 16V 20% SMD R/TP
C1102	0CE476SF6DC	47UF MVG 16V 20% SMD R/TP
C1105	0CE476SF6DC	47UF MVG 16V 20% SMD R/TP
C1107	0CE107SF6DC	100UF MVG 16V 20% SMD R/TP
C1108	0CE107SF6DC	100UF MVG 16V 20% SMD R/TP
C1110	0CE477SF6DC	470UF MVG 16V 20% R/TP(SMD) SMD
C1115	0CE477DJ618	470UF STD 35V 20% FL TP 5
C1116	0CE477SF6DC	470UF MVG 16V 20% R/TP(SMD) SMD
C1117	0CE227VF6DC	220UF MV 16V 20% R/TP(SMD) SMD
C1118	0CE477SF6DC	470UF MVG 16V 20% R/TP(SMD) SMD
C1119	0CE477DJ618	470UF STD 35V 20% FL TP 5
C1120	0CE227VF6DC	220UF MV 16V 20% R/TP(SMD) SMD
C1126	0CE477SF6DC	470UF MVG 16V 20% R/TP(SMD) SMD
C113	0CE106SF6DC	10UF MVG 16V 20% R/TP(SMD) SMD
C1135	0CE107SF6DC	100UF MVG 16V 20% SMD R/TP
C1136	0CE107SF6DC	100UF MVG 16V 20% SMD R/TP
C1137	0CE107SF6DC	100UF MVG 16V 20% SMD R/TP
C1138	0CE107SF6DC	100UF MVG 16V 20% SMD R/TP
C114	0CE106SF6DC	10UF MVG 16V 20% R/TP(SMD) SMD
C1148	0CE476SF6DC	47UF MVG 16V 20% SMD R/TP
C1149	0CE107SF6DC	100UF MVG 16V 20% SMD R/TP
C1150	0CE107SF6DC	100UF MVG 16V 20% SMD R/TP
C1151	0CE107SF6DC	100UF MVG 16V 20% SMD R/TP
C1154	0CE476SF6DC	47UF MVG 16V 20% SMD R/TP
C1159	0CE476SF6DC	47UF MVG 16V 20% SMD R/TP
C116	0CE106SF6DC	10UF MVG 16V 20% R/TP(SMD) SMD
C1162	0CE107SF6DC	100UF MVG 16V 20% SMD R/TP
C1165	0CE107SF6DC	100UF MVG 16V 20% SMD R/TP
C1166	0CE107SF6DC	100UF MVG 16V 20% SMD R/TP
C117	0CE227SF6DC	220UF MVG 16V 20% R/TP(SMD) SMD
C118	0CE106SF6DC	10UF MVG 16V 20% R/TP(SMD) SMD
C1185	0CE476SF6DC	47UF MVG 16V 20% SMD R/TP
C1186	0CE476SF6DC	47UF MVG 16V 20% SMD R/TP
C1187	0CE476SF6DC	47UF MVG 16V 20% SMD R/TP
C1188	0CE107SF6DC	100UF MVG 16V 20% SMD R/TP
C1189	0CE107SF6DC	100UF MVG 16V 20% SMD R/TP
C119	0CE106SF6DC	10UF MVG 16V 20% R/TP(SMD) SMD
C1190	0CE107SF6DC	100UF MVG 16V 20% SMD R/TP
C1191	0CE107SF6DC	100UF MVG 16V 20% SMD R/TP
C1192	0CE107SF6DC	100UF MVG 16V 20% SMD R/TP
C1193	0CE107SF6DC	100UF MVG 16V 20% SMD R/TP
C1194	0CE477SF6DC	470UF MVG 16V 20% R/TP(SMD) SMD
C1195	0CE107SF6DC	100UF MVG 16V 20% SMD R/TP

For Capacitor & Resistors, the characters at 2nd and 3rd digit in the P/No. means as follows;	CC, CX, CK, CN : Ceramic CQ : Polyester CE : Electrolytic	RD : Carbon Film RS : Metal Oxide Film RN : Metal Film RF : Fusible
--	---	--

LOCA. NO	PART NO	DESCRIPTION
C1199	0CE107SF6DC	100UF MVG 16V 20% SMD R/TP
C120	0CE106SF6DC	10UF MVG 16V 20% R/TP(SMD) SMD
C1200	0CE106SF6DC	10UF MVG 16V 20% R/TP(SMD) SMD
C1201	0CE106SF6DC	10UF MVG 16V 20% R/TP(SMD) SMD
C121	0CE106SF6DC	10UF MVG 16V 20% R/TP(SMD) SMD
C1225	0CE106SF6DC	10UF MVG 16V 20% R/TP(SMD) SMD
C1230	0CK105DF64A	1UF 2012 16V 20% R/TP F(Y5V)
C1231	0CK105DF64A	1UF 2012 16V 20% R/TP F(Y5V)
C1245	0CE106SF6DC	10UF MVG 16V 20% R/TP(SMD) SMD
C1247	0CE476SF6DC	47UF MVG 16V 20% SMD R/TP
C129	0CE227SF6DC	220UF MVG 16V 20% R/TP(SMD) SMD
C130	0CE227SF6DC	220UF MVG 16V 20% R/TP(SMD) SMD
C1302	0CE107SF6DC	100UF MVG 16V 20% SMD R/TP
C1304	0CE476SF6DC	47UF MVG 16V 20% SMD R/TP
C1306	0CE476SF6DC	47UF MVG 16V 20% SMD R/TP
C1309	0CE107SF6DC	100UF MVG 16V 20% SMD R/TP
C131	0CE476SF6DC	47UF MVG 16V 20% SMD R/TP
C1311	0CE107SF6DC	100UF MVG 16V 20% SMD R/TP
C1312	0CE107SF6DC	100UF MVG 16V 20% SMD R/TP
C1313	0CE107SF6DC	100UF MVG 16V 20% SMD R/TP
C1314	0CE107SF6DC	100UF MVG 16V 20% SMD R/TP
C1315	0CE107SF6DC	100UF MVG 16V 20% SMD R/TP
C1316	0CE476SF6DC	47UF MVG 16V 20% SMD R/TP
C1317	0CE476SF6DC	47UF MVG 16V 20% SMD R/TP
C1318	0CE476SF6DC	47UF MVG 16V 20% SMD R/TP
C1333	0CE336VF6DC	33UF MV 16V 20% R/TP(SMD) SMD
C1334	0CE336VF6DC	33UF MV 16V 20% R/TP(SMD) SMD
C1335	0CE336VF6DC	33UF MV 16V 20% R/TP(SMD) SMD
C1338	0CE336VF6DC	33UF MV 16V 20% R/TP(SMD) SMD
C135	0CE476SF6DC	47UF MVG 16V 20% SMD R/TP
C1414	0CE475SK6DC	4.7UF MVG 50V 20% SMD R/TP
C1415	0CE475SK6DC	4.7UF MVG 50V 20% SMD R/TP
C1419	0CE106SF6DC	10UF MVG 16V 20% R/TP(SMD) SMD
C1420	0CK105DF64A	1UF 2012 16V 20% R/TP F(Y5V)
C1424	0CE106SF6DC	10UF MVG 16V 20% R/TP(SMD) SMD
C1425	0CE106SH6DC	10UF MVG 25V 20% SMD R/TP
C1428	0CE106SH6DC	10UF MVG 25V 20% SMD R/TP
C1438	0CE106SH6DC	10UF MVG 25V 20% SMD R/TP
C1441	0CE106SH6DC	10UF MVG 25V 20% SMD R/TP
C1506	0CE476SF6DC	47UF MVG 16V 20% SMD R/TP
C203	0CE475SK6DC	4.7UF MVG 50V 20% SMD R/TP
C204	0CE477SF6DC	470UF MVG 16V 20% R/TP(SMD) SMD
C208	0CE477SF6DC	470UF MVG 16V 20% R/TP(SMD) SMD
C210	0CE475SK6DC	4.7UF MVG 50V 20% SMD R/TP
C211	0CE477SF6DC	470UF MVG 16V 20% R/TP(SMD) SMD
C214	0CE106SF6DC	10UF MVG 16V 20% R/TP(SMD) SMD
C215	0CE475SK6DC	4.7UF MVG 50V 20% SMD R/TP
C221	0CE477SF6DC	470UF MVG 16V 20% R/TP(SMD) SMD
C238	0CE107SF6DC	100UF MVG 16V 20% SMD R/TP
C241	0CE476SK6D8	47UF MVG,MC 50V 20% SMD TAPPING
C300	0CE107SF6DC	100UF MVG 16V 20% SMD R/TP
C304	0CE226SF6DC	22UF MVG 16V 20% SMD R/TP

LOCA. NO	PART NO	DESCRIPTION
C305	0CE107SF6DC	100UF MVG 16V 20% SMD R/TP
C307	0CE476SF6DC	47UF MVG 16V 20% SMD R/TP
C310	0CK225DFK4A	2.2UF 2012 16V 20%,-20% F(Y5V) R/TP
C315	0CK225DFK4A	2.2UF 2012 16V 20%,-20% F(Y5V) R/TP
C318	0CK225DFK4A	2.2UF 2012 16V 20%,-20% F(Y5V) R/TP
C319	0CK225DFK4A	2.2UF 2012 16V 20%,-20% F(Y5V) R/TP
C320	0CK225DFK4A	2.2UF 2012 16V 20%,-20% F(Y5V) R/TP
C321	0CK225DFK4A	2.2UF 2012 16V 20%,-20% F(Y5V) R/TP
C325	0CK225DFK4A	2.2UF 2012 16V 20%,-20% F(Y5V) R/TP
C328	0CK225DFK4A	2.2UF 2012 16V 20%,-20% F(Y5V) R/TP
C330	0CK225DFK4A	2.2UF 2012 16V 20%,-20% F(Y5V) R/TP
C338	0CK225DFK4A	2.2UF 2012 16V 20%,-20% F(Y5V) R/TP
C340	0CE476SF6DC	47UF MVG 16V 20% SMD R/TP
C342	0CE105SK6DC	1UF MVG 50V 20% SMD R/TP
C347	0CE105SK6DC	1UF MVG 50V 20% SMD R/TP
C402	0CE476SF6DC	47UF MVG 16V 20% SMD R/TP
C403	0CE226SF6DC	22UF MVG 16V 20% SMD R/TP
C413	0CE335VK6DC	3.3UF MV 50V 20% R/TP(SMD) SMD
C418	0CE107SF6DC	100UF MVG 16V 20% SMD R/TP
C425	0CE226SF6DC	22UF MVG 16V 20% SMD R/TP
C444	0CE107SF6DC	100UF MVG 16V 20% SMD R/TP
C451	0CK105DF64A	1UF 2012 16V 20% R/TP F(Y5V)
C456	0CK105DF64A	1UF 2012 16V 20% R/TP F(Y5V)
C457	0CE335VK6DC	3.3UF MV 50V 20% R/TP(SMD) SMD
C462	0CE107SF6DC	100UF MVG 16V 20% SMD R/TP
C463	0CE106SF6DC	10UF MVG 16V 20% R/TP(SMD) SMD
C464	0CE106SF6DC	10UF MVG 16V 20% R/TP(SMD) SMD
C465	0CE106SK6DC	10UF MVG 50V 20% SMD R/TP
C480	0CE108DJ618	1000UF STD 35V M FL TP5
C481	0CE475SK6DC	4.7UF MVG 50V 20% SMD R/TP
C482	0CE475SK6DC	4.7UF MVG 50V 20% SMD R/TP
C483	0CF4741L438	0.47UF D 63V 5% TP 5 M/PE NI
C484	0CF4741L438	0.47UF D 63V 5% TP 5 M/PE NI
C495	0CE108DJ618	1000UF STD 35V M FL TP5
C527	0CE476SF6DC	47UF MVG 16V 20% SMD R/TP
C610	0CE107SF6DC	100UF MVG 16V 20% SMD R/TP
C614	0CE476SF6DC	47UF MVG 16V 20% SMD R/TP
C615	0CE476SF6DC	47UF MVG 16V 20% SMD R/TP
C620	0CE476SF6DC	47UF MVG 16V 20% SMD R/TP
C621	0CE476SF6DC	47UF MVG 16V 20% SMD R/TP
C622	0CE476SF6DC	47UF MVG 16V 20% SMD R/TP
C728	0CE226SF6DC	22UF MVG 16V 20% SMD R/TP
C729	0CE226SF6DC	22UF MVG 16V 20% SMD R/TP
C730	0CE226SF6DC	22UF MVG 16V 20% SMD R/TP
C731	0CE226SF6DC	22UF MVG 16V 20% SMD R/TP
C735	0CE226SF6DC	22UF MVG 16V 20% SMD R/TP
C737	0CE226SF6DC	22UF MVG 16V 20% SMD R/TP
C739	0CE226SF6DC	22UF MVG 16V 20% SMD R/TP
C745	0CE226SF6DC	22UF MVG 16V 20% SMD R/TP
C750	0CE226SF6DC	22UF MVG 16V 20% SMD R/TP
C752	0CE226SF6DC	22UF MVG 16V 20% SMD R/TP
C760	0CE226SF6DC	22UF MVG 16V 20% SMD R/TP

For Capacitor & Resistors, the characters at 2nd and 3rd digit in the P/No. means as follows;	CC, CX, CK, CN : Ceramic CQ : Polyester CE : Electrolytic	RD : Carbon Film RS : Metal Oxide Film RN : Metal Film RF : Fusible
--	---	--

LOCA. NO	PART NO	DESCRIPTION
C762	0CE226SF6DC	22UF MVG 16V 20% SMD R/TP
C764	0CE226SF6DC	22UF MVG 16V 20% SMD R/TP
C767	0CE226SF6DC	22UF MVG 16V 20% SMD R/TP
C771	0CE226SF6DC	22UF MVG 16V 20% SMD R/TP
C828	0CE106SF6DC	10UF MVG 16V 20% R/TP(SMD) SMD
C832	0CE226SF6DC	22UF MVG 16V 20% SMD R/TP
C833	0CE226SF6DC	22UF MVG 16V 20% SMD R/TP
C834	0CE226SF6DC	22UF MVG 16V 20% SMD R/TP
C835	0CE226SF6DC	22UF MVG 16V 20% SMD R/TP
C836	0CE226SF6DC	22UF MVG 16V 20% SMD R/TP
C837	0CE226SF6DC	22UF MVG 16V 20% SMD R/TP
C838	0CE226SF6DC	22UF MVG 16V 20% SMD R/TP
C839	0CE226SF6DC	22UF MVG 16V 20% SMD R/TP
C840	0CE226SF6DC	22UF MVG 16V 20% SMD R/TP
C851	0CE226SF6DC	22UF MVG 16V 20% SMD R/TP
C853	0CE226SF6DC	22UF MVG 16V 20% SMD R/TP
C884	0CE226SF6DC	22UF MVG 16V 20% SMD R/TP
C896	0CE226SF6DC	22UF MVG 16V 20% SMD R/TP
C901	0CE226SF6DC	22UF MVG 16V 20% SMD R/TP
C904	0CE226SF6DC	22UF MVG 16V 20% SMD R/TP
C905	0CE226SF6DC	22UF MVG 16V 20% SMD R/TP
C930	0CE226SF6DC	22UF MVG 16V 20% SMD R/TP
C950	0CE226SF6DC	22UF MVG 16V 20% SMD R/TP
<b>COIL</b>		
L1000	6140VB0004B	26UH 1UEWPHY 22.5TURN YL-9N 0.4
L1101	6140VB0004B	26UH 1UEWPHY 22.5TURN YL-9N 0.4
L1102	6140VB0004B	26UH 1UEWPHY 22.5TURN YL-9N 0.4
L1103	6140VB0004B	26UH 1UEWPHY 22.5TURN YL-9N 0.4
L1104	6140VB0004B	26UH 1UEWPHY 22.5TURN YL-9N 0.4
L1124	6140VB0004B	26UH 1UEWPHY 22.5TURN YL-9N 0.4
L404	6140VB0032A	DBF-1015A 15.5UH 10PIE DIGITAL AUDIO
L405	6140VB0032A	DBF-1015A 15.5UH 10PIE DIGITAL AUDIO
L406	6140VB0032A	DBF-1015A 15.5UH 10PIE DIGITAL AUDIO
L407	6140VB0032A	DBF-1015A 15.5UH 10PIE DIGITAL AUDIO
<b>CONNECTOR</b>		
C1	387-G07J	7P 2.5MM 500MM H-H UL1007AWG26
C2	387-J12L	12P 2.5MM 700MM H-H UL1185AWG26
C3	6631V00020J	3P 3.96MM 400MM H-W UL1672 AWG18
C4	6631V00045B	10P SPECIAL 150MM H-H UL1007AWG24
C5	6631V12047L	13P 1.25MM 700MM H-H UL1061AWG28
C6	6631V25061D	8P 2.5MM 250MM H-H UL1007AWG24
C7	6631V25083A	7P 2.5MM 100MM H-H UL1007 AWG24
C8	6631V39013Z	8P 3.96MM 650MM H-H UL1617AWG22
C9	6631V39018B	9P 3.96MM 300MM H-H UL1007AWG18
JK500	6630G70016A	A03-7071-094 SPG 15P 2.29MM
JK601	6630G70017A	A02-0915-101 SPG 9P 2.54MM
<b>RESISTOR</b>		
AR1200	0RRZVTA001D	22 OHM 1 / 16 W 1608 5% R/TP 4P E24
AR1201	0RRZVTA001D	22 OHM 1 / 16 W 1608 5% R/TP 4P E24

LOCA. NO	PART NO	DESCRIPTION
AR1202	0RRZVTA001D	22 OHM 1 / 16 W 1608 5% R/TP 4P E24
AR1203	0RRZVTA001D	22 OHM 1 / 16 W 1608 5% R/TP 4P E24
AR1204	0RRZVTA001D	22 OHM 1 / 16 W 1608 5% R/TP 4P E24
AR1205	0RRZVTA001D	22 OHM 1 / 16 W 1608 5% R/TP 4P E24
AR1301	0RRZVTA001D	22 OHM 1 / 16 W 1608 5% R/TP 4P E24
AR1302	0RRZVTA001D	22 OHM 1 / 16 W 1608 5% R/TP 4P E24
AR1303	0RRZVTA001D	22 OHM 1 / 16 W 1608 5% R/TP 4P E24
AR1304	0RRZVTA001D	22 OHM 1 / 16 W 1608 5% R/TP 4P E24
AR1305	0RRZVTA001D	22 OHM 1 / 16 W 1608 5% R/TP 4P E24
AR1306	0RRZVTA001D	22 OHM 1 / 16 W 1608 5% R/TP 4P E24
AR700	0RRZVTA001D	22 OHM 1 / 16 W 1608 5% R/TP 4P E24
AR701	0RRZVTA001D	22 OHM 1 / 16 W 1608 5% R/TP 4P E24
AR702	0RRZVTA001D	22 OHM 1 / 16 W 1608 5% R/TP 4P E24
AR703	0RRZVTA001D	22 OHM 1 / 16 W 1608 5% R/TP 4P E24
AR704	0RRZVTA001D	22 OHM 1 / 16 W 1608 5% R/TP 4P E24
AR705	0RRZVTA001D	22 OHM 1 / 16 W 1608 5% R/TP 4P E24
AR806	0RRZVTA001B	MNR14-E0A-J-510 R OHM 51 OHM 5%
AR807	0RRZVTA001B	MNR14-E0A-J-510 R OHM 51 OHM 5%
AR808	0RRZVTA001B	MNR14-E0A-J-510 R OHM 51 OHM 5%
AR809	0RRZVTA001B	MNR14-E0A-J-510 R OHM 51 OHM 5%
AR810	0RRZVTA001B	MNR14-E0A-J-510 R OHM 51 OHM 5%
AR811	0RRZVTA001B	MNR14-E0A-J-510 R OHM 51 OHM 5%
AR812	0RRZVTA001B	MNR14-E0A-J-510 R OHM 51 OHM 5%
AR813	0RRZVTA001B	MNR14-E0A-J-510 R OHM 51 OHM 5%
AR814	0RRZVTA001B	MNR14-E0A-J-510 R OHM 51 OHM 5%
AR815	0RRZVTA001B	MNR14-E0A-J-510 R OHM 51 OHM 5%
AR816	0RRZVTA001B	MNR14-E0A-J-510 R OHM 51 OHM 5%
AR817	0RRZVTA001B	MNR14-E0A-J-510 R OHM 51 OHM 5%
R230	0RD0331H609	3.3 OHM 1/2 W 5.00% TA52
R618	0RD0562H609	56 OHM 1/2 W 5.00% TA52
<b>LED</b>		
D1003	0DL233309AC	SAM2333 GREEN:10MCD, RED:6MCD
D1103	0DL233309AC	SAM2333 GREEN:10MCD, RED:6MCD
IC103	6301V00004A	YANGWOO RT-42PX41 WHITE LED INDEX
<b>SWITCH</b>		
SW101	140-315A	SKHV17910B 12V 0.05A HORIZONTAL 160G
SW102	140-315A	SKHV17910B 12V 0.05A HORIZONTAL 160G
SW103	140-315A	SKHV17910B 12V 0.05A HORIZONTAL 160G
SW104	140-315A	SKHV17910B 12V 0.05A HORIZONTAL 160G
SW105	140-315A	SKHV17910B 12V 0.05A HORIZONTAL 160G
SW106	140-315A	SKHV17910B 12V 0.05A HORIZONTAL 160G
SW107	140-315A	SKHV17910B 12V 0.05A HORIZONTAL 160G
SW108	140-315A	SKHV17910B 12V 0.05A HORIZONTAL 160G
SW700	6600VR1004A	SKHMPW 5P J-ALPS NON .V .A HORIZONTAL .G
SW800	6600VR1004A	SKHMPW 5P J-ALPS NON .V .A HORIZONTAL .G
<b>FILTER &amp; CRYSTAL</b>		
L100	6200J000013	MLB-321611-0500P-N2 R/TP 500 OHM
L1004	6200J000013	MLB-321611-0500P-N2 R/TP 500 OHM
L1005	6200J000013	MLB-321611-0500P-N2 R/TP 500 OHM

LOCA. NO	PART NO	DESCRIPTION
L1006	6200J000013	MLB-321611-0500P-N2 R/TP 500 OHM
L1007	6200J000013	MLB-321611-0500P-N2 R/TP 500 OHM
L1008	6200J000013	MLB-321611-0500P-N2 R/TP 500 OHM
L1009	6200J000013	MLB-321611-0500P-N2 R/TP 500 OHM
L101	6200J000013	MLB-321611-0500P-N2 R/TP 500 OHM
L1010	6200J000013	MLB-321611-0500P-N2 R/TP 500 OHM
L1011	6200J000013	MLB-321611-0500P-N2 R/TP 500 OHM
L1012	6200J000013	MLB-321611-0500P-N2 R/TP 500 OHM
L1013	6200J000013	MLB-321611-0500P-N2 R/TP 500 OHM
L1014	6200J000013	MLB-321611-0500P-N2 R/TP 500 OHM
L1015	6200J000013	MLB-321611-0500P-N2 R/TP 500 OHM
L1016	6200J000013	MLB-321611-0500P-N2 R/TP 500 OHM
L1017	6200J000013	MLB-321611-0500P-N2 R/TP 500 OHM
L1018	6200J000013	MLB-321611-0500P-N2 R/TP 500 OHM
L1019	6200J000013	MLB-321611-0500P-N2 R/TP 500 OHM
L102	6210VC0006A	FBMH3216 HM501NT 3.2X1.6X1.6MM R/TP
L1020	6200J000013	MLB-321611-0500P-N2 R/TP 500 OHM
L1021	6200J000013	MLB-321611-0500P-N2 R/TP 500 OHM
L1022	6200J000013	MLB-321611-0500P-N2 R/TP 500 OHM
L1023	6200J000013	MLB-321611-0500P-N2 R/TP 500 OHM
L1024	6200J000013	MLB-321611-0500P-N2 R/TP 500 OHM
L1025	6200J000013	MLB-321611-0500P-N2 R/TP 500 OHM
L104	6210VC0006A	FBMH3216 HM501NT 3.2X1.6X1.6MM R/TP
L110	6200J000013	MLB-321611-0500P-N2 R/TP 500 OHM
L1105	6200J000013	MLB-321611-0500P-N2 R/TP 500 OHM
L1106	6200J000013	MLB-321611-0500P-N2 R/TP 500 OHM
L1107	6200J000013	MLB-321611-0500P-N2 R/TP 500 OHM
L1108	6200J000013	MLB-321611-0500P-N2 R/TP 500 OHM
L1109	6200J000013	MLB-321611-0500P-N2 R/TP 500 OHM
L111	6200J000013	MLB-321611-0500P-N2 R/TP 500 OHM
L1110	6200J000013	MLB-321611-0500P-N2 R/TP 500 OHM
L1111	6200J000013	MLB-321611-0500P-N2 R/TP 500 OHM
L1112	6200J000013	MLB-321611-0500P-N2 R/TP 500 OHM
L1113	6200J000013	MLB-321611-0500P-N2 R/TP 500 OHM
L1115	6200J000013	MLB-321611-0500P-N2 R/TP 500 OHM
L1116	6200J000013	MLB-321611-0500P-N2 R/TP 500 OHM
L1117	6200J000013	MLB-321611-0500P-N2 R/TP 500 OHM
L1118	6200J000013	MLB-321611-0500P-N2 R/TP 500 OHM
L1119	6200J000013	MLB-321611-0500P-N2 R/TP 500 OHM
L1120	6200J000013	MLB-321611-0500P-N2 R/TP 500 OHM
L1121	6200J000013	MLB-321611-0500P-N2 R/TP 500 OHM
L1122	6200J000013	MLB-321611-0500P-N2 R/TP 500 OHM
L1123	6200J000013	MLB-321611-0500P-N2 R/TP 500 OHM
L1125	6200J000013	MLB-321611-0500P-N2 R/TP 500 OHM
L1126	6200J000013	MLB-321611-0500P-N2 R/TP 500 OHM
L1127	6200J000013	MLB-321611-0500P-N2 R/TP 500 OHM
L1128	6200J000013	MLB-321611-0500P-N2 R/TP 500 OHM
L1129	6200J000013	MLB-321611-0500P-N2 R/TP 500 OHM
L1130	6200J000013	MLB-321611-0500P-N2 R/TP 500 OHM
L114	6200JB8010L	MLB-201209-1000L-N2 R/TP 1000OHM 350MA
L115	6200JB8010L	MLB-201209-1000L-N2 R/TP 1000OHM 350MA
L119	6200JB8010L	MLB-201209-1000L-N2 R/TP 1000OHM 350MA

LOCA. NO	PART NO	DESCRIPTION
L120	6200JB8010L	MLB-201209-1000L-N2 R/TP 1000OHM 350MA
L1204	6200J000013	MLB-321611-0500P-N2 R/TP 500 OHM
L1205	6200J000013	MLB-321611-0500P-N2 R/TP 500 OHM
L1206	6200J000013	MLB-321611-0500P-N2 R/TP 500 OHM
L1207	6200J000013	MLB-321611-0500P-N2 R/TP 500 OHM
L1208	6200J000013	MLB-321611-0500P-N2 R/TP 500 OHM
L1209	6200J000013	MLB-321611-0500P-N2 R/TP 500 OHM
L121	6200J000013	MLB-321611-0500P-N2 R/TP 500 OHM
L122	6210VC0005A	BK2125 HS 750 2X1.25X0.85MM R/TP
L123	6210VC0005A	BK2125 HS 750 2X1.25X0.85MM R/TP
L124	6210VC0005A	BK2125 HS 750 2X1.25X0.85MM R/TP
L125	6210VC0005A	BK2125 HS 750 2X1.25X0.85MM R/TP
L126	6210VC0005A	BK2125 HS 750 2X1.25X0.85MM R/TP
L1301	6200J000013	MLB-321611-0500P-N2 R/TP 500 OHM
L200	6200J000013	MLB-321611-0500P-N2 R/TP 500 OHM
L201	6200J000013	MLB-321611-0500P-N2 R/TP 500 OHM
L202	6200J000013	MLB-321611-0500P-N2 R/TP 500 OHM
L203	6200J000013	MLB-321611-0500P-N2 R/TP 500 OHM
L204	6200J000013	MLB-321611-0500P-N2 R/TP 500 OHM
L300	6200J000013	MLB-321611-0500P-N2 R/TP 500 OHM
L301	6200J000013	MLB-321611-0500P-N2 R/TP 500 OHM
L302	6200JB8010L	MLB-201209-1000L-N2 R/TP 1000OHM 350MA
L400	6200J000013	MLB-321611-0500P-N2 R/TP 500 OHM
L401	6200J000013	MLB-321611-0500P-N2 R/TP 500 OHM
L402	6200J000013	MLB-321611-0500P-N2 R/TP 500 OHM
L403	6200J000013	MLB-321611-0500P-N2 R/TP 500 OHM
L408	6200J000013	MLB-321611-0500P-N2 R/TP 500 OHM
L409	6200J000013	MLB-321611-0500P-N2 R/TP 500 OHM
L410	6200J000013	MLB-321611-0500P-N2 R/TP 500 OHM
L500	6200J000013	MLB-321611-0500P-N2 R/TP 500 OHM
L502	6200JB8010L	MLB-201209-1000L-N2 R/TP 1000OHM 350MA
L503	6200JB8010L	MLB-201209-1000L-N2 R/TP 1000OHM 350MA
L506	6200J000013	MLB-321611-0500P-N2 R/TP 500 OHM
L604	6200J000013	MLB-321611-0500P-N2 R/TP 500 OHM
L606	6200J000013	MLB-321611-0500P-N2 R/TP 500 OHM
L802	6200J000013	MLB-321611-0500P-N2 R/TP 500 OHM
X1200	6212AB2845A	RESONATOR,CRYSTAL ABL5-27.000MHZ
X300	166-E02F	RESONATOR,CERAMIC CSBLA500KECF09
X400	156-A02M	RESONATOR,CRYSTAL HC49U 18.432MHZ
X700	6212AB2844A	RESONATOR,CRYSTAL ABL5-19.6608MHZ
X800	6212AB2844A	RESONATOR,CRYSTAL ABL5-19.6608MHZ
<b>JACK</b>		
JK100	6612J00043C	UPJ-R1-031 UGCOM S/T,SCART,SHIELD,SPRING
JK101	6612J00043C	UPJ-R1-031 UGCOM S/T,SCART,SHIELD,SPRING
JK101	6613V00026A	UJB-03-28A UGCOM 6613V00004S
JK102	6612J00043C	UPJ-R1-031 UGCOM S/T,SCART,SHIELD,SPRING
JK103	6612J10012A	UJB-05-02C UGCOM COMPONENT
JK104	6612J00038B	UJB-03-25B UGCOM 6612J00038A+RED
JK1200	6612B00015B	DC1R019WDH JAE 0.5MM,19PIN+2PIN,HDMI S/T
JK400	6612J00037A	UJB-02-12A UGCOM 2P RCA VERTICAL+SHIELD
JK502	6612F00087A	UEJ-CV-032 UGCOM EAR JACK 10MM

LOCA. NO	PART NO	DESCRIPTION
JK600	6612F00087A	UEJ-CV-032 UGCOM EAR JACK 10MM
<b>ACCESSORIES</b>		
A1	3828VA0525F	MANUAL, USER MF056A LG 42PX4RV/EU
A2	6710V00151E	REMOTE CONTROLLER, AF05GB 42PX4R-ZA INPUT
A3	6410VEH003C	POWER CORD, M2511A-001 VDE/SEMKO 2800MM
A4	4972V00178A	FIXER, WALL NON ASSY PDP SET
<b>MISCELLANEOUS</b>		
C10	6850J00005C	CABLE,DVI LVDS UL20276 AWG30 600MM
C11	6850VA0004J	CABLE,COAXIAL UL1365#26 150MM UCA-EX-069
C12	6851V00019A	CABLE,COAXIAL RF CONN CABLE ASSY 4AC208A0
C13	6851V00022C	CABLE,COAXIAL UL1365#26 VW-1
PA101	6712000010A	REMOTE CONTROLLER RECEIVER,KSM913TC1E
TU200	6700MF0012B	TUNER, TAFM-W102P PHONO SUB
TU201	6700MF0012A	TUNER, TAUM-W101P PHONO MAIN

LOCA. NO	PART NO	DESCRIPTION