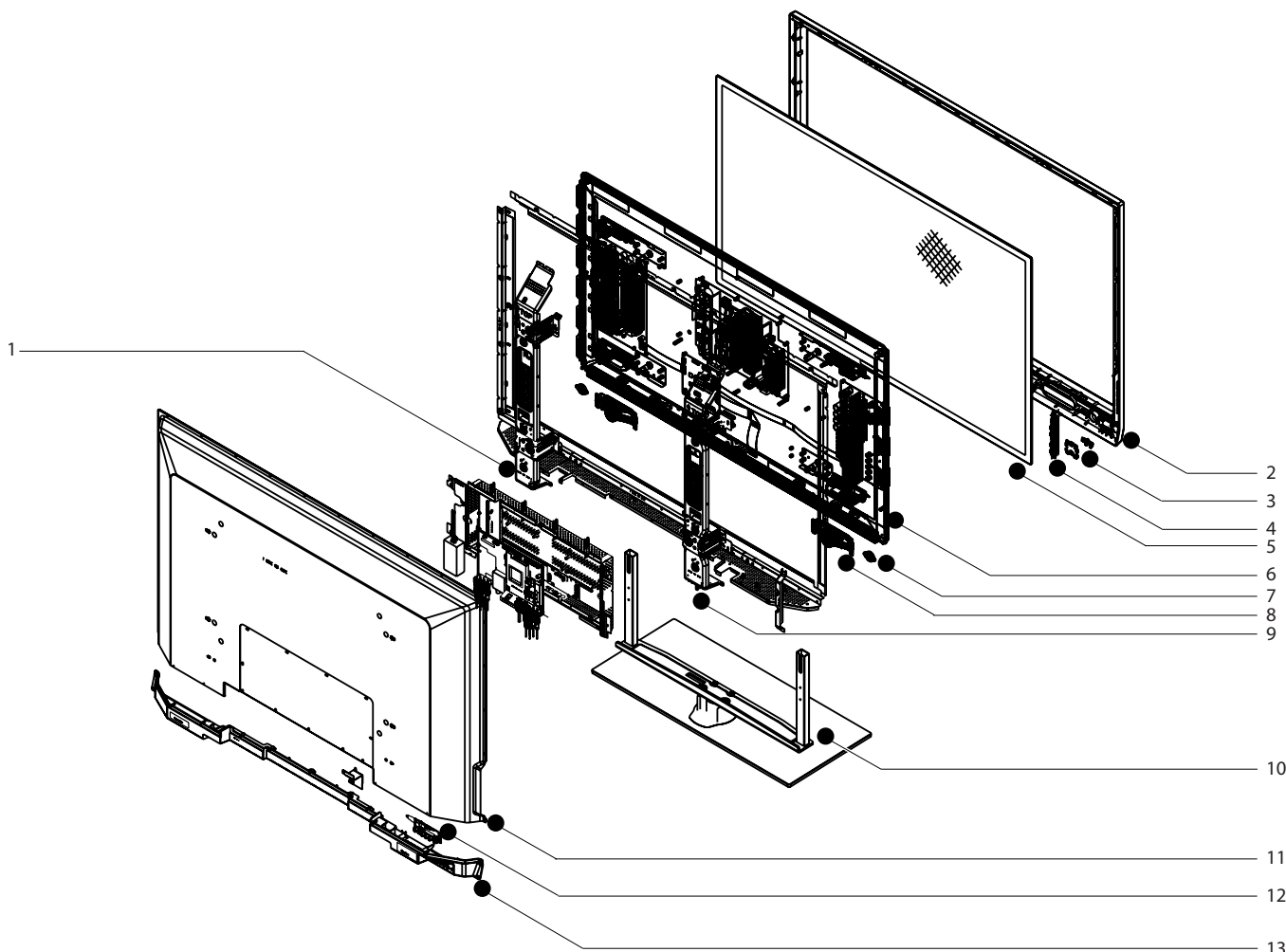


Service  
Service  
**Service**

42MF237S/37  
42PFP5332/10  
42PFP5332/12  
42PFP5332D/37  
42PFP5532D/05  
42PFP5532D/12  
50PFP5332D/37  
50PFP5532D/05  
50PFP5532D/12

# Styling Sheet



## Mechanical Parts List

ME7 PDP 42-50				42MF237S/37	42PF5332/10	42PF5332/12	42PF5532D/05	42PF5532D/12	42PF5332D/37	50PF5332D/37	50PF5532D/05	50PF5532D/12
				Pos. Nr.	Item number	12NC	Material description					
1+9	0164	3139 187 50131	Fixation bracket L/R assy	x	x	x	x	x	x			
1+9	0164	3139 187 50141	Fixation bracket L/R assy							x	x	x
2	0006	3139 268 86901	Front Cabinet 42"	x								
2	0006	3139 268 88101	Front Cabinet 42"						x			
2	0006	3139 268 88172	Front Cabinet 42"		x	x	x	x				
2	0006	3139 268 88661	Front Cabinet 50"							x		
2	0006	3139 268 88592	Front Cabinet 50"								x	x
3	0179	3139 124 68181	IR lens	x	x	x	x	x	x	x	x	x
4	0025	3139 178 17781	Side control	x	x	x	x	x	x	x	x	x
4	1114	3139 268 04971	Keyboard control assy	x					x	x		
4	1114	3139 268 05921	Keyboard control assy		x	x	x	x			x	x
5	0014	3139 124 90341	Glass plate 42"		x	x	x	x	x			
5	0014	3139 124 90342	Glass plate 42"	x								
5	0014	3139 124 90331	Glass plate 50"							x	x	x
6	1004	9322 242 85682	Plasma Display S42AX-YD02 PP42AX-013B						x			
6	1004	9322 246 76682	Plasma Display S42AX-YD04(HD PAL/NTSC)	x	x	x	x	x				
6	1004	9322 246 81682	Plasma Display S50HW-YD05 (HD PAL/NTSC)							x	x	x
7	5215	2422 264 00611	Loudspeaker 8R 15W tweeter	x					x	x		
7	5215	2422 264 00606	Loudspeaker 12R 15W tweeter		x	x	x	x			x	x
8	5213	2422 264 00608	Loudspeaker 8R 15W fullrange	x					x	x		
8	5213	2422 264 00612	Loudspeaker 12R 15W fullrange		x	x	x	x			x	x
10	0260	3139 187 51052	Metal stand assy		x	x			x			
10	0260	3139 187 50262	Metal stand assy							x	x	x
10	0260	3139 187 52893	Metal stand assy				x	x				
10	0260	3139 187 52895	Metal stand assy	x								
11	0010	3139 268 88221	Rear cover 42"		x	x	x	x				
11	0011	3139 178 18751	Rear cover 42"						x			
11	0011	3139 178 18752	Rear cover 42"	x								
11	0011	3139 178 19801	Rear cover 50"							x		
11	0011	3139 268 88211	Rear cover 50"								x	x
12	1116	3139 267 17411	Side IO rear assy	x					x	x		
12	1116	3139 268 09561	Side IO panel		x	x	x	x			x	x
13	0226	3139 268 88641	Bottom back cover 50"							x		
13	0226	3139 268 88651	Bottom back cover 42"	x					x			
13	0226	3139 268 89271	Bottom back cover 42"		x	x	x	x				
13	0226	3139 268 89281	Bottom back cover 50"								x	x
	1085	3139 238 13561	Remote control RC19335034/01	x								
	1085	3139 238 14161	Remote control RC2023601/01		x	x						
	1085	3139 238 14171	Remote control RC2033601/01						x	x		
	1085	3139 238 14201	Remote control RC2034301/01				x	x			x	x
	0205	3139 187 50081	Top & bottom shield assy		x	x	x	x	x			
	0205	3139 187 50083	Top & bottom shield assy	x								
	0205	3139 187 50111	Top & bottom shield assy							x	x	x
	0206	3139 187 50091	Left & right shield assy	x	x	x	x	x	x			
	0206	3139 187 50101	Left & right shield assy							x	x	x
	8191	2422 070 00064	Mainscord IEC		x	x		x				x
	8192	2422 070 98258	Mainscord UK		x		x				x	
	8195	2422 070 00054	Mainscord UL	x					x	x		
	8G51	3139 131 09241	LVDS cable								x	x
	8G51	3139 131 09251	LVDS cable		x	x	x	x				
	8P06	3139 131 09191	LVDS cable							x		
	8P06	3139 131 09201	LVDS cable						x			
	8P06	3139 131 09911	LVDS cable	x								
	0259	3139 128 78191	Stand screws		x	x			x			
	0259	3139 128 78731	Stand screws				x	x				
	0259	3139 128 78741	Stand screws							x	x	x
	0158	3104 308 91131	Mushroom M8 x 23	x	x	x	x	x			x	x
	0158	3139 187 53821	Mushroom						x	x		