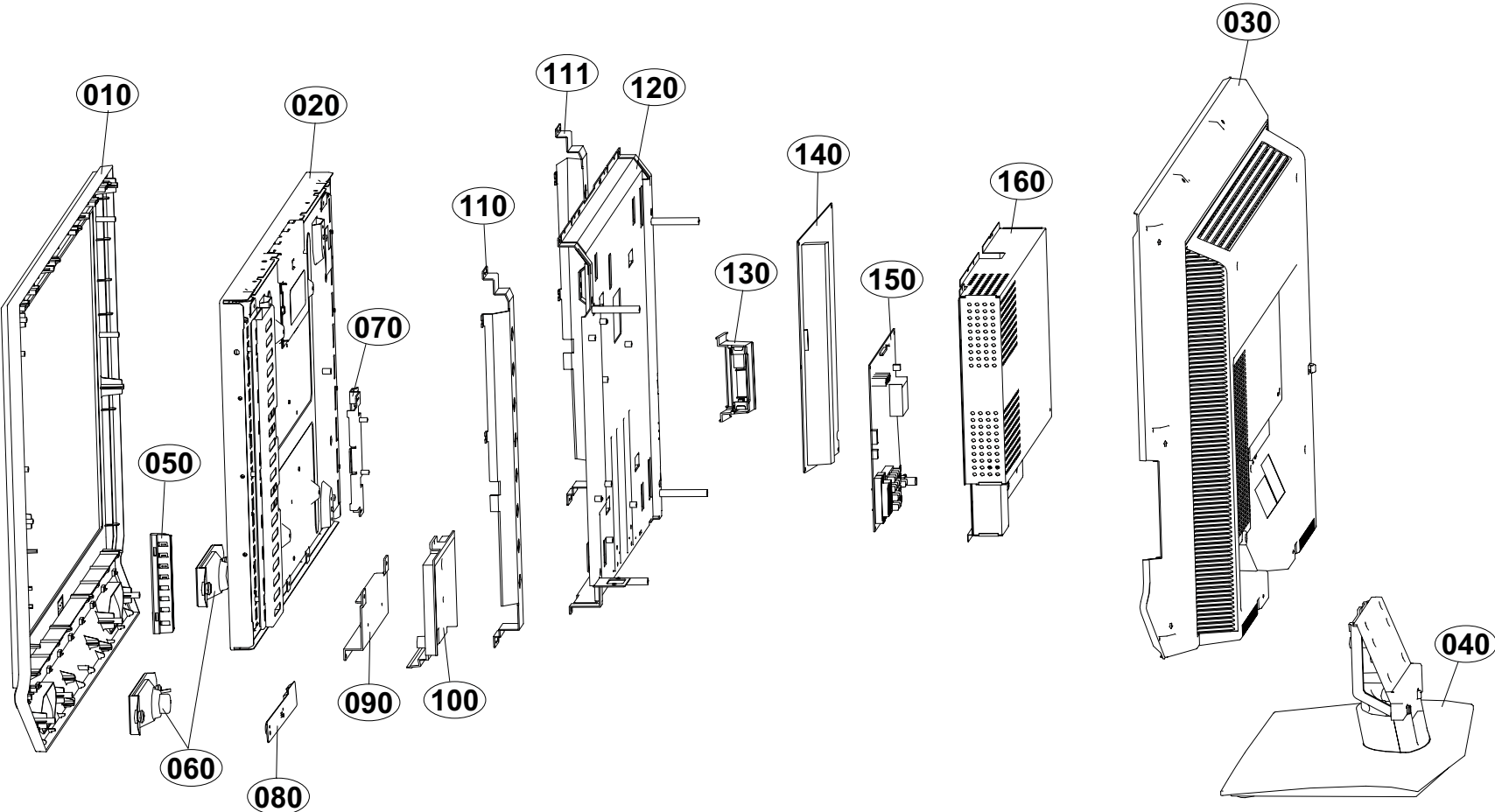


EXPLODED VIEW (37LC2R)

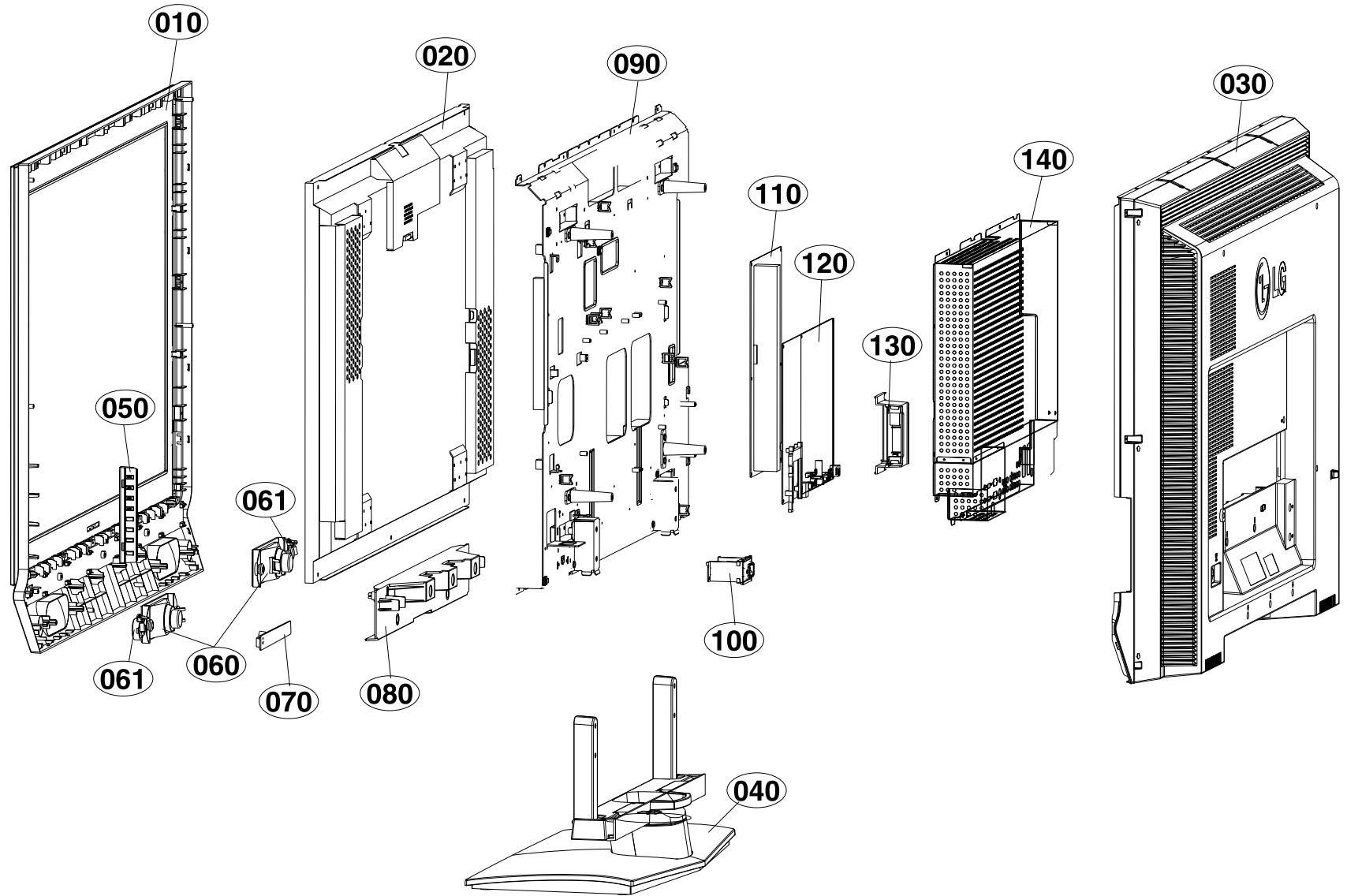
- 24 -



EXPLODED VIEW PARTS LIST(37LC2R)

No.	PART NO.	DESCRIPTION
010	30919E0046H	Cover Assembly, 37LC2R-ZH BRAND 30909E0027 FOR EU
	30919E0046J	Cover Assembly, 37LC2R-ZH BRAND 30909E0027 FOR EU(C/SKD)
020	6304FLP360A	LCD,Panel-TFT, LC370WX1-SL11 37INCH 1365X768 500CD COLOR 72% -LPL
	or 6304FLP367A	LCD,Panel-TFT, LC370WX1-SL13 37INCH 1365X768 500CD COLOR 72% -LPL
	6304FAU023A	LCD,Panel-TFT, T370XW01-V1 37INCH 1366X768 500CD COLOR 72% T370XW01-V1 500NITS 8MS 20LAMPS- AUO
030	3809900164E	Cover Assembly, 37LC2R-ZH NON H3-H
	3809900164F	Cover Assembly, 37LC2R-ZH NON H3-H(C/SKD)
040	3043900032C	Base Assembly, 37LC2D-ND 35509K0214 FOR KOREA
	3043900032B	Base Assembly, 37LC2D-UD 35509K0214 FOR WORLDWIDE, BODY ASSY(C/SKD)
	3043900032E	Base Assembly, 37LC2D-EC 35509K0214 FOR NON USA, BASE ASSY(C/SKD)
050	68719ST997B	PCB Assembly,Sub, SUB T.T LP62A 37LC2R-ZH ALEULFX LOCAL KEY
060	6400WMCX03A	Speaker,Woofer, G1560102 ND35 15W 8OHM 82DB 100HZ 193X57mM LUG
070	4814V00520B	Plate, PRESS SPTE T0.5 PLATE RT-42PX40 SHIELD TUNER BOTTOM AP03NC SUS PRESS
080	68719ST105A	PCB Assembly,Sub, SUB T.T LP62A 37LC2R-ZH ALEULFX PREAMP + LED LC
090	49509K0222A	Plate, PRESS SBHG T2.0 SUPPORT STAND 37LC2
100	35509K0217A	Cover, MOLD HIPS 37LC2 STAND MID INNER
110	49509K0023C	Plate, PRESS SBHG T1.6 SIDE SUPPORTER RIGHT FOR 37LC2- LPL
	49509K0023D	Plate, SIDE SUPPORTER RIGHT FOR 37LC2(C/SKD), LPL
	49509K0341E	Plate, PRESS EGI 1.6 SUPPORTER SPC AUO
111	49509K0024E	Plate, PRESS SBHG T1.6 SIDE SUPPORTER LEFT FOR 37LC2
	49509K0024F	Plate, PRESS SBHG T1.6 SIDE SUPPORTER LEFT FOR 37LC2(C/SKD), LPL
	49509K0340E	Plate, PRESS EGI 1.6 SUPPORTER SPC SIDE FRAME(AUO, LEFT, C/SKD)
120	4950TKA361L	Plate, FRAME, MAIN 37LC2R
	4950TKA361M	Plate, FRAME, MAIN 37LC2R(C/SKD)
130	68719ST984A	PCB Assembly,Sub, SUB T.T LP61C 37LC2R-ZH ALEULFX SIDE A/V ASSY
140	6709900016D	SMPS, AC/DC, LGLP2637HEP 90.0VTO264.0V 215W 47TO63HZ UL/CSA/SEMKO YY / AT / HE
150	33139L3019B	Main Total Assembly, 37LC2R-ZH BRAND LP62A TOTAL ASSY.- LPL
	33139L3033A	Main Total Assembly, SKD 37LC2R-ZH BRAND LP62A- LPL
	33139L3052A	Main Total Assembly, 37LC2R-ZH BRAND FOR AUO LP62A
160	4950TKA362K	Plate, SHIELD MAIN PLUS ANALOG AV(37LC2R-ZH)
	4950TKA362L	Plate, SHIELD MAIN PLUS ANALOG AV(37LC2R-ZH), C/SKD

EXPLODED VIEW(42LC2R)



EXPLODED VIEW PARTS LIST(42LC2R)

No.	PART NO.	DESCRIPTION
010	⚠	30919E0047D Cover Assembly, 42LC2R BRAND 30909E0028 EU
		30919E0047H Cover Assembly, 42LC2R BRAND 30909E0028 ZH C/SKD
020	⚠	6304FLP363A LCD,Panel-TFT, LC420W02-SLA1 42INCH 1365X768 500CD COLOR 72% -
030	⚠	3809900165H Cover Assembly, 42LC2R 2PHONE ZH/TH/MH, SPRAY
		3809900165L Cover Assembly, 42LC2R HURRICANE 42" SPRAY- C/SKD
040	⚠	3043900034A Base Assembly, 42LC2 42LC2 42LC2
		3043900034C Base Assembly, 42LC2 42LC2 FOR USA C/SKD
050		68719ST997B PCB Assembly,Sub, SUB T.T LP62A 37LC2R-ZH ALEULFX LOCAL KEY
060		6400WMCX03A Speaker,Woofe, G1560102 ND35 15W 8OHM 82DB 100HZ 193X57mM LUG
061		6400DTTX02A Speaker,Tweeter, EN15D-6629 TOPTONE TWEETER(DOME) 8OHM 15/20W 78DB OTHERS LC2 MODEL
070		68719ST105A PCB Assembly,Sub, SUB T.T LP62A 37LC2R-ZH ALEULFX PREAMP + LED LC
080		35519K0030B Cover Assembly, 42LC2 STAND 35509K0220B SUPPORT
		35519K0030D Cover Assembly, 42LC2 STAND 35509K0220B SUPPORT C/SKD
090		49519S0036C Plate Assembly, FRAME MAIN 42LC2R-ZH
		49519S0036F Plate Assembly, FRAME MAIN 42LC2R-ZH C/SKD
100		31419SNJ81A Chassis Assembly, SUB LA51D AC INLET ASSY
110	⚠	6709900017B SMPS,AC/DC, YP4201 90.0VTO264.0V 280W 47TO63HZ UL/CSA/TUV/SEMKO 42" LCD
120	⚠	33139L3026A Main Total Assembly, 42LC2R-ZH BRAND LP62A.
		33139L3034A Main Total Assembly, SKD 42LC2R-ZH BRAND LP62A
130		68719ST087A PCB Assembly,Sub, SUB T.T LP61A 42LC2R-ZH ALEULFX SIDE A/V ASSY
140		49509K0173C Plate, SHIELD MAIN ANALOG 42LC2 R-ZH
		49509K0173F Plate, SHIELD MAIN ANALOG 42LC2R-ZH C/SKD

REPLACEMENT PARTS LIST

For Capacitor & Resistors, the characters at 2nd and 3rd digit in the P/No. means as follows;	CC, CX, CK, CN, CH : Ceramic CQ : Polyester CE : Electrolytic CF : Fixed Film	RD : Carbon Film RS : Metal Oxide Film RN : Metal Film RH : CHIP, Metal Glazed(Chip) RR : Drawing
---	--	---

DATE: 2006. 03. 30.				
*S	*AL	LOC. NO.	PART NO.	DESCRIPTION / SPECIFICATION
MAIN BOARD				
CAPACITOR				
			C1001	0CE477WF6DC MVK10TP16VC470M 470uF 20% 1
			C1005	0CE477WF6DC MVK10TP16VC470M 470uF 20% 1
			C1007	0CE476WF6DC MVK6.3TP16VC47M 47uF 20% 16
			C1009	0CE477WF6DC MVK10TP16VC470M 470uF 20% 1
			C1012	0CE476WF6DC MVK6.3TP16VC47M 47uF 20% 16
			C1014	0CE477WF6DC MVK10TP16VC470M 470uF 20% 1
			C1016	0CE107WF6DC MVK6.3TP16VC100M 100uF 20%
			C1019	0CE477WF6DC MVK10TP16VC470M 470uF 20% 1
			C1020	0CE107WF6DC MVK6.3TP16VC100M 100uF 20%
			C1022	0CE107WF6DC MVK6.3TP16VC100M 100uF 20%
			C1023	0CE477WF6DC MVK10TP16VC470M 470uF 20% 1
			C1048	0CE107WF6DC MVK6.3TP16VC100M 100uF 20%
			C1049	0CE107WF6DC MVK6.3TP16VC100M 100uF 20%
			C1050	0CE107WF6DC MVK6.3TP16VC100M 100uF 20%
			C1051	0CE107WF6DC MVK6.3TP16VC100M 100uF 20%
			C1053	0CE476WF6DC MVK6.3TP16VC47M 47uF 20% 16
			C1054	0CE476WF6DC MVK6.3TP16VC47M 47uF 20% 16
			C1062	0CE476WF6DC MVK6.3TP16VC47M 47uF 20% 16
			C1063	0CE476WF6DC MVK6.3TP16VC47M 47uF 20% 16
			C1064	0CE476WF6DC MVK6.3TP16VC47M 47uF 20% 16
			C1065	0CE476WF6DC MVK6.3TP16VC47M 47uF 20% 16
			C1067	0CE477WF6DC MVK10TP16VC470M 470uF 20% 1
			C1069	0CE477WF6DC MVK10TP16VC470M 470uF 20% 1
			C1070	0CE107WF6DC MVK6.3TP16VC100M 100uF 20%
			C1072	0CE476WF6DC MVK6.3TP16VC47M 47uF 20% 16
			C1084	0CE476WF6DC MVK6.3TP16VC47M 47uF 20% 16
			C1085	0CE476WF6DC MVK6.3TP16VC47M 47uF 20% 16
			C1086	0CE476WF6DC MVK6.3TP16VC47M 47uF 20% 16
			C1087	0CE476WF6DC MVK6.3TP16VC47M 47uF 20% 16
			C1088	0CE476WF6DC MVK6.3TP16VC47M 47uF 20% 16
			C1089	0CE476WF6DC MVK6.3TP16VC47M 47uF 20% 16
			C1092	0CE476WF6DC MVK6.3TP16VC47M 47uF 20% 16
			C1101	0CE477WF6DC MVK10TP16VC470M 470uF 20% 1
			C1107	0CE477WF6DC MVK10TP16VC470M 470uF 20% 1
			C1109	0CE477WF6DC MVK10TP16VC470M 470uF 20% 1
			C1110	0CE227WF6DC MVK8.0TP16VC220M 220uF 20%
			C1111	0CE477WF6DC MVK10TP16VC470M 470uF 20% 1
			C1113	0CE227WF6DC MVK8.0TP16VC220M 220uF 20%
			C1128	0CE477WF6DC MVK10TP16VC470M 470uF 20% 1
			C1129	0CE107WF6DC MVK6.3TP16VC100M 100uF 20%
			C1130	0CE107WF6DC MVK6.3TP16VC100M 100uF 20%
			C1131	0CE107WF6DC MVK6.3TP16VC100M 100uF 20%
			C1132	0CE107WF6DC MVK6.3TP16VC100M 100uF 20%
			C1133	0CE107WF6DC MVK6.3TP16VC100M 100uF 20%
			C1135	0CE476WF6DC MVK6.3TP16VC47M 47uF 20% 16
			C1137	0CE476WF6DC MVK6.3TP16VC47M 47uF 20% 16
			C1146	0CE476WF6DC MVK6.3TP16VC47M 47uF 20% 16
			C1147	0CE107WF6DC MVK6.3TP16VC100M 100uF 20%
			C1148	0CE107WF6DC MVK6.3TP16VC100M 100uF 20%
			C1149	0CE107WF6DC MVK6.3TP16VC100M 100uF 20%
			C1151	0CE107WF6DC MVK6.3TP16VC100M 100uF 20%
			C1152	0CE107WF6DC MVK6.3TP16VC100M 100uF 20%

DATE: 2006. 03. 30.				
*S	*AL	LOC. NO.	PART NO.	DESCRIPTION / SPECIFICATION
			C1157	0CE476WF6DC MVK6.3TP16VC47M 47uF 20% 16
			C1158	0CE476WF6DC MVK6.3TP16VC47M 47uF 20% 16
			C1207	0CE476SF6DC VMV476M016S0ANC010 47uF 20%
			C1222	0CE106SH6DC VMV106M025S0ANB010 10uF 20%
			C1226	0CE106SH6DC VMV106M025S0ANB010 10uF 20%
			C1244	0CE106SH6DC VMV106M025S0ANB010 10uF 20%
			C1403	0CH8106J691 MVK5.0TP35VC10M 10uF 20% 35
			C1460	0CE106SH6DC VMV106M025S0ANB010 10uF 20%
			C1468	0CE106SH6DC VMV106M025S0ANB010 10uF 20%
			C148	0CE227SF6DC MVG6.3TP16VC220M 220uF 20%
			C149	0CE227SF6DC MVG6.3TP16VC220M 220uF 20%
			C174	0CE106SH6DC VMV106M025S0ANB010 10uF 20%
			C175	0CE106SH6DC VMV106M025S0ANB010 10uF 20%
			C1814	0CE226SF6DC VMV226M016S0ANB010 22uF 20%
			C1826	0CE476SF6DC VMV476M016S0ANC010 47uF 20%
			C211	0CE477SF6DC VMV477M016S0ANG030 470uF 20
			C213	0CE477SF6DC VMV477M016S0ANG030 470uF 20
			C215	0CE106SH6DC VMV106M025S0ANB010 10uF 20%
			C224	0CE477SF6DC VMV477M016S0ANG030 470uF 20
			C227	0CE107SF6DC VMV107M016S0ANE010 100uF 20
			C238	0CE227SF6DC MVG6.3TP16VC220M 220uF 20%
			C314	0CE107SF6DC VMV107M016S0ANE010 100uF 20%
			C316	0CE226SF6DC VMV226M016S0ANB010 22uF 20%
			C317	0CE107SF6DC VMV107M016S0ANE010 100uF 20
			C318	0CE476SF6DC VMV476M016S0ANC010 47uF 20%
			C349	0CE476SF6DC VMV476M016S0ANC010 47uF 20%
			C351	0CE105SK6DC VMV105M050S0ANB010 1uF 20%
			C354	0CE105SK6DC VMV105M050S0ANB010 1uF 20%
			C401	0CE476SF6DC VMV476M016S0ANC010 47uF 20%
			C405	0CE107SF6DC VMV107M016S0ANE010 100uF 20
			C409	0CE226SF6DC VMV226M016S0ANB010 22uF 20%
			C412	0CE335SK6DC VMV335M050S0ANB010 3.3uF 20
			C432	0CE106WFKDC MVK4.0TP16VC10M 10uF 20% 16
			C446	0CE335SK6DC VMV335M050S0ANB010 3.3uF 20
			C451	0CE106SH6DC VMV106M025S0ANB010 10uF 20%
			C452	0CE106SH6DC VMV106M025S0ANB010 10uF 20%
			C463	0CE475SK6DC VMV475M050S0ANB010 4.7uF 20
			C464	0CE475SK6DC VMV475M050S0ANB010 4.7uF 20
			C466	0CE475SK6DC VMV475M050S0ANB010 4.7uF 20
			C467	0CE475SK6DC VMV475M050S0ANB010 4.7uF 20
			C512	0CE476SF6DC VMV476M016S0ANC010 47uF 20%
			C611	0CE107SF6DC VMV107M016S0ANE010 100uF 20%
			C834	0CE106WFKDC MVK4.0TP16VC10M 10uF 20% 16
			C835	0CE226SF6DC VMV226M016S0ANB010 22uF 20%
			C836	0CE106WFKDC MVK4.0TP16VC10M 10uF 20% 16
			C837	0CE226SF6DC VMV226M016S0ANB010 22uF 20%
			C838	0CE226SF6DC VMV226M016S0ANB010 22uF 20%
			C839	0CE106WFKDC MVK4.0TP16VC10M 10uF 20% 16
			C840	0CE106WFKDC MVK4.0TP16VC10M 10uF 20% 16
			C841	0CE226SF6DC VMV226M016S0ANB010 22uF 20%
			C842	0CE106WFKDC MVK4.0TP16VC10M 10uF 20% 16
			C853	0CE226SF6DC VMV226M016S0ANB010 22uF 20%
			C855	0CE226SF6DC VMV226M016S0ANB010 22uF 20%
			C886	0CE106WFKDC MVK4.0TP16VC10M 10uF 20% 16

DATE: 2006. 03. 30.				
*S	*AL	LOC. NO.	PART NO.	DESCRIPTION / SPECIFICATION
		C898	0CE106WFKDC	MVK4.0TP16VC10M 10uF 20% 16
		C901	0CE226SF6DC	VMV226M016S0ANB010 22uF 20%
		C904	0CE226SF6DC	VMV226M016S0ANB010 22uF 20%
		C905	0CE226SF6DC	VMV226M016S0ANB010 22uF 20%
		C930	0CE226SF6DC	VMV226M016S0ANB010 22uF 20%
		C943	0CE226SF6DC	VMV226M016S0ANB010 22uF 20%
		C950	0CE226SF6DC	VMV226M016S0ANB010 22uF 20%
		C118	0CE227SF6DC	MVG6.3TP16VC220M 220uF 20%
		C119	0CE227SF6DC	MVG6.3TP16VC220M 220uF 20%
		C124	0CE227SF6DC	MVG6.3TP16VC220M 220uF 20%
		C125	0CE227SF6DC	MVG6.3TP16VC220M 220uF 20%
		C126	0CE106SH6DC	VMV106M025S0ANB010 10uF 20%
		C127	0CE106SH6DC	VMV106M025S0ANB010 10uF 20%
		C132	0CE476SF6DC	VMV476M016S0ANC010 47uF 20%
		C135	0CE106SH6DC	VMV106M025S0ANB010 10uF 20%
		C136	0CE106SH6DC	VMV106M025S0ANB010 10uF 20%
		C142	0CE476SF6DC	VMV476M016S0ANC010 47uF 20%
		C1813	0CE106WFKDC	MVK4.0TP16VC10M 10uF 20% 16
		C1031	0CE476WFKDC	MVK8.0TP50VC47M 47uF 20% 50
		C1201	0CE476SF6DC	VMV476M016S0ANC010 47uF 20%
		C1108	0CE477EK618	KMG5.0TP50VB470M 470uF 20%
		C1112	0CE477EK618	KMG5.0TP50VB470M 470uF 20%
		C1428	0CE477EK618	KMG5.0TP50VB470M 470uF 20%
		C1446	0CE477EK618	KMG5.0TP50VB470M 470uF 20%
		C1003	0CK474CH94A	0603F474Z250CT 470nF -20TO+
		C1026	0CK104CK56A	0603B104K500CT 100nF 10% 50
		C1029	0CK104CK56A	0603B104K500CT 100nF 10% 50
		C1033	0CK104CK56A	0603B104K500CT 100nF 10% 50
		C1034	0CK103CK56A	0603B103K500CT 10nF 10% 50V
		C1036	0CK104CK56A	0603B104K500CT 100nF 10% 50
		C1037	0CK104CK56A	0603B104K500CT 100nF 10% 50
		C1041	0CK103CK56A	0603B103K500CT 10nF 10% 50V
		C1071	0CK104CK56A	0603B104K500CT 100nF 10% 50
		C1117	0CK104CK56A	0603B104K500CT 100nF 10% 50
		C1118	0CK104CK56A	0603B104K500CT 100nF 10% 50
		C1126	0CK103CK56A	0603B103K500CT 10nF 10% 50V
		C1127	0CK103CK56A	0603B103K500CT 10nF 10% 50V
		C1223	0CC180CK41A	C1608C0G1H180JT 18pF 5% 50V
		C1224	0CK103CK56A	0603B103K500CT 10nF 10% 50V
		C1225	0CC180CK41A	C1608C0G1H180JT 18pF 5% 50V
		C1228	0CK103CK51A	0603B103K500CT 10nF 10% 50V
		C1405	0CK104CK56A	0603B104K500CT 100nF 10% 50
		C1419	0CK333CK56A	C1608X7R1H333KT 33nF 10% 50
		C1420	0CK333CK56A	C1608X7R1H333KT 33nF 10% 50
		C1421	0CK333CK56A	C1608X7R1H333KT 33nF 10% 50
		C1422	0CK333CK56A	C1608X7R1H333KT 33nF 10% 50
		C1455	0CK104CK56A	0603B104K500CT 100nF 10% 50
		C1456	0CK104CK56A	0603B104K500CT 100nF 10% 50
		C1457	0CK105DF64A	0805F105Z160CT 1uF -20TO+80
		C1458	0CK105DF64A	0805F105Z160CT 1uF -20TO+80
		C1459	0CK102CK56A	0603B102K500CT 1nF 10% 50V
		C1474	0CC102CK41A	C1608C0G1H102JT 1nF 5% 50V
		C1811	0CK104CK56A	0603B104K500CT 100nF 10% 50
		C1851	0CK104CK56A	0603B104K500CT 100nF 10% 50
		C234	0CC271CK41A	C1608C0G1H271JT 270pF 5% 50
		C312	0CK103CK56A	0603B103K500CT 10nF 10% 50V
		C313	0CK103CK56A	0603B103K500CT 10nF 10% 50V
		C319	0CK104CK56A	0603B104K500CT 100nF 10% 50
		C321	0CK104CK56A	0603B104K500CT 100nF 10% 50
		C322	0CK104CK56A	0603B104K500CT 100nF 10% 50
		C326	0CK225DFK4A	C2012Y5V1C225MT 2.2uF 20% 1
		C327	0CK474CH94A	0603F474Z250CT 470nF -20TO+

DATE: 2006. 03. 30.				
*S	*AL	LOC. NO.	PART NO.	DESCRIPTION / SPECIFICATION
		C328	0CK474CH94A	0603F474Z250CT 470nF -20TO+
		C329	0CK225DFK4A	C2012Y5V1C225MT 2.2uF 20% 1
		C330	0CK474CH94A	0603F474Z250CT 470nF -20TO+
		C331	0CK225DFK4A	C2012Y5V1C225MT 2.2uF 20% 1
		C332	0CK474CH94A	0603F474Z250CT 470nF -20TO+
		C333	0CK474CH94A	0603F474Z250CT 470nF -20TO+
		C334	0CK225DFK4A	C2012Y5V1C225MT 2.2uF 20% 1
		C335	0CK474CH94A	0603F474Z250CT 470nF -20TO+
		C336	0CK225DFK4A	C2012Y5V1C225MT 2.2uF 20% 1
		C337	0CK474CH94A	0603F474Z250CT 470nF -20TO+
		C338	0CK474CH94A	0603F474Z250CT 470nF -20TO+
		C339	0CK225DFK4A	C2012Y5V1C225MT 2.2uF 20% 1
		C340	0CK474CH94A	0603F474Z250CT 470nF -20TO+
		C341	0CK474CH94A	0603F474Z250CT 470nF -20TO+
		C342	0CK225DFK4A	C2012Y5V1C225MT 2.2uF 20% 1
		C343	0CK474CH94A	0603F474Z250CT 470nF -20TO+
		C344	0CK474CH94A	0603F474Z250CT 470nF -20TO+
		C345	0CK225DFK4A	C2012Y5V1C225MT 2.2uF 20% 1
		C346	0CK474CH94A	0603F474Z250CT 470nF -20TO+
		C347	0CK225DFK4A	C2012Y5V1C225MT 2.2uF 20% 1
		C355	0CK821CK56A	C1608X7R1H821KT 820pF 10% 5
		C357	0CK103CK56A	0603B103K500CT 10nF 10% 50V
		C402	0CK103CK56A	0603B103K500CT 10nF 10% 50V
		C403	0CK104CK56A	0603B104K500CT 100nF 10% 50
		C411	0CK104CK56A	0603B104K500CT 100nF 10% 50
		C414	0CC560CK41A	C1608C0G1H560JT 56pF 5% 50V
		C416	0CK103CK56A	0603B103K500CT 10nF 10% 50V
		C428	0CK474CH94A	0603F474Z250CT 470nF -20TO+
		C429	0CK474CH94A	0603F474Z250CT 470nF -20TO+
		C430	0CK474CH94A	0603F474Z250CT 470nF -20TO+
		C431	0CK474CH94A	0603F474Z250CT 470nF -20TO+
		C433	0CK474CH94A	0603F474Z250CT 470nF -20TO+
		C435	0CK474CH94A	0603F474Z250CT 470nF -20TO+
		C438	0CK474CH94A	0603F474Z250CT 470nF -20TO+
		C439	0CK474CH94A	0603F474Z250CT 470nF -20TO+
		C441	0CK474CH94A	0603F474Z250CT 470nF -20TO+
		C442	0CK474CH94A	0603F474Z250CT 470nF -20TO+
		C457	0CK682CK51A	C1608Y5P1H682KT 6.8nF 10% 5
		C458	0CK682CK51A	C1608Y5P1H682KT 6.8nF 10% 5
		C459	0CK682CK51A	C1608Y5P1H682KT 6.8nF 10% 5
		C462	0CK682CK51A	C1608Y5P1H682KT 6.8nF 10% 5
		C494	0CK104CK56A	0603B104K500CT 100nF 10% 50
		C511	0CK104CK56A	0603B104K500CT 100nF 10% 50
		C605	0CK104CK56A	0603B104K500CT 100nF 10% 50
		C606	0CK104CK56A	0603B104K500CT 100nF 10% 50
		C607	0CK104CK56A	0603B104K500CT 100nF 10% 50
		C610	0CK104CK56A	0603B104K500CT 100nF 10% 50
		C800	0CK104CK56A	0603B104K500CT 100nF 10% 50
		C803	0CK104CK56A	0603B104K500CT 100nF 10% 50
		C806	0CK104CK56A	0603B104K500CT 100nF 10% 50
		C812	0CC300CK41A	C1608C0G1H300JT 30pF 5% 50V
		C813	0CC300CK41A	C1608C0G1H300JT 30pF 5% 50V
		C814	0CK104CK56A	0603B104K500CT 100nF 10% 50
		C815	0CK104CK56A	0603B104K500CT 100nF 10% 50
		C817	0CK104CK56A	0603B104K500CT 100nF 10% 50
		C818	0CK104CK56A	0603B104K500CT 100nF 10% 50
		C819	0CK104CK56A	0603B104K500CT 100nF 10% 50
		C820	0CK104CK56A	0603B104K500CT 100nF 10% 50
		C822	0CK104CK56A	0603B104K500CT 100nF 10% 50
		C823	0CK104CK56A	0603B104K500CT 100nF 10% 50
		C824	0CK104CK56A	0603B104K500CT 100nF 10% 50
		C825	0CK104CK56A	0603B104K500CT 100nF 10% 50

DATE: 2006. 03. 30.				
*S	*AL	LOC. NO.	PART NO.	DESCRIPTION / SPECIFICATION
		C1435	0CK104CK56A	0603B104K500CT 100nF 10% 50
		C1436	0CK104CK56A	0603B104K500CT 100nF 10% 50
		C1437	0CK104CK56A	0603B104K500CT 100nF 10% 50
		C1438	0CK104CK56A	0603B104K500CT 100nF 10% 50
		C1439	0CK103CK56A	0603B103K500CT 10nF 10% 50V
		C1441	0CK104CK56A	0603B104K500CT 100nF 10% 50
		C1447	0CK103CK56A	0603B103K500CT 10nF 10% 50V
		C1448	0CK103CK56A	0603B103K500CT 10nF 10% 50V
		C1449	0CK103CK56A	0603B103K500CT 10nF 10% 50V
		C1450	0CK103CK56A	0603B103K500CT 10nF 10% 50V
		C1461	0CK104CK56A	0603B104K500CT 100nF 10% 50
		C1466	0CK104CK56A	0603B104K500CT 100nF 10% 50
		C1467	0CC101CK41A	C1608C0G1H101JT 100pF 5% 50
		C1469	0CK104CK56A	0603B104K500CT 100nF 10% 50
		C147	0CK102CK56A	0603B102K500CT 1nF 10% 50V
		C1470	0CC102CK41A	C1608C0G1H102JT 1nF 5% 50V
		C1473	0CK104CK56A	0603B104K500CT 100nF 10% 50
		C1475	0CK104CK56A	0603B104K500CT 100nF 10% 50
		C1476	0CK104CK56A	0603B104K500CT 100nF 10% 50
		C150	0CK102CK56A	0603B102K500CT 1nF 10% 50V
		C151	0CK103CK56A	0603B103K500CT 10nF 10% 50V
		C152	0CK103CK56A	0603B103K500CT 10nF 10% 50V
		C178	0CK104CK56A	0603B104K500CT 100nF 10% 50
		C1800	0CK104CK56A	0603B104K500CT 100nF 10% 50
		C1801	0CK104CK56A	0603B104K500CT 100nF 10% 50
		C1802	0CK104CK56A	0603B104K500CT 100nF 10% 50
		C1803	0CK103CK56A	0603B103K500CT 10nF 10% 50V
		C1804	0CK104CK56A	0603B104K500CT 100nF 10% 50
		C1805	0CK104CK56A	0603B104K500CT 100nF 10% 50
		C1806	0CK104CK56A	0603B104K500CT 100nF 10% 50
		C1807	0CK104CK56A	0603B104K500CT 100nF 10% 50
		C1808	0CK104CK56A	0603B104K500CT 100nF 10% 50
		C1809	0CK104CK56A	0603B104K500CT 100nF 10% 50
		C1810	0CK104CK56A	0603B104K500CT 100nF 10% 50
		C1812	0CK104CK56A	0603B104K500CT 100nF 10% 50
		C1815	0CK104CK56A	0603B104K500CT 100nF 10% 50
		C1852	0CK104CK56A	0603B104K500CT 100nF 10% 50
		C218	0CK103CK56A	0603B103K500CT 10nF 10% 50V
		C219	0CC680CK41A	C1608C0G1H680JT 68pF 5% 50V
		C220	0CC680CK41A	C1608C0G1H680JT 68pF 5% 50V
		C221	0CK103CK56A	0603B103K500CT 10nF 10% 50V
		C222	0CK103CK56A	0603B103K500CT 10nF 10% 50V
		C223	0CC101CK41A	C1608C0G1H101JT 100pF 5% 50
		C225	0CK273CK56A	0603B273K500CT 27nF 10% 50V
		C226	0CK103CK56A	0603B103K500CT 10nF 10% 50V
		C229	0CK104CK56A	0603B104K500CT 100nF 10% 50
		C231	0CK273CK56A	0603B273K500CT 27nF 10% 50V
		C233	0CC271CK41A	C1608C0G1H271JT 270pF 5% 50
		C315	0CK103CK56A	0603B103K500CT 10nF 10% 50V
		C320	0CK103CK56A	0603B103K500CT 10nF 10% 50V
		C348	0CK104CK56A	0603B104K500CT 100nF 10% 50
		C350	0CC102CK41A	C1608C0G1H102JT 1nF 5% 50V
		C352	0CK563CK56A	C1608X7R1H563KT 56nF 10% 50
		C353	0CK223CK56A	UMK107JB223KA-T 22nF 10% 50
		C356	0CK104CK56A	0603B104K500CT 100nF 10% 50
		C406	0CK104CK56A	0603B104K500CT 100nF 10% 50
		C407	0CH5010K116	0805N1R0D500LT 1pF 0.5PF 50
		C408	0CH5010K116	0805N1R0D500LT 1pF 0.5PF 50
		C415	0CC560CK41A	C1608C0G1H560JT 56pF 5% 50V
		C434	0CK104CK56A	0603B104K500CT 100nF 10% 50
		C436	0CK103CK56A	0603B103K500CT 10nF 10% 50V
		C437	0CC101CK41A	C1608C0G1H101JT 100pF 5% 50

DATE: 2006. 03. 30.				
*S	*AL	LOC. NO.	PART NO.	DESCRIPTION / SPECIFICATION
		C444	0CK103CK56A	0603B103K500CT 10nF 10% 50V
		C445	0CK471CK56A	C1608X7R1H471KT 470pF 10% 5
		C469	0CK104CK56A	0603B104K500CT 100nF 10% 50
		C479	0CK471CK56A	C1608X7R1H471KT 470pF 10% 5
		C483	0CK471CK56A	C1608X7R1H471KT 470pF 10% 5
		C493	0CK102CK56A	0603B102K500CT 1nF 10% 50V
		C495	0CK102CK56A	0603B102K500CT 1nF 10% 50V
		C502	0CK103CK56A	0603B103K500CT 10nF 10% 50V
		C503	0CK103CK56A	0603B103K500CT 10nF 10% 50V
		C506	0CC120CK41A	C1608C0G1H120JT 12pF 5% 50V
		C514	0CK104CK56A	0603B104K500CT 100nF 10% 50
		C603	0CC221CK41A	C1608C0G1H221JT 220pF 5% 50
		C608	0CK104CK56A	0603B104K500CT 100nF 10% 50
		C609	0CC470CK41A	C1608C0G1H470JT 47pF 5% 50V
		C624	0CK104CK56A	0603B104K500CT 100nF 10% 50
		C816	0CK104CK56A	0603B104K500CT 100nF 10% 50
		C821	0CK104CK56A	0603B104K500CT 100nF 10% 50
		C826	0CK104CK56A	0603B104K500CT 100nF 10% 50
		C843	0CK104CK56A	0603B104K500CT 100nF 10% 50
		C844	0CK104CK56A	0603B104K500CT 100nF 10% 50
		C846	0CK104CK56A	0603B104K500CT 100nF 10% 50
		C847	0CK103CK56A	0603B103K500CT 10nF 10% 50V
		C848	0CK104CK56A	0603B104K500CT 100nF 10% 50
		C849	0CK104CK56A	0603B104K500CT 100nF 10% 50
		C850	0CK104CK56A	0603B104K500CT 100nF 10% 50
		C851	0CK103CK56A	0603B103K500CT 10nF 10% 50V
		C852	0CK104CK56A	0603B104K500CT 100nF 10% 50
		C854	0CK104CK56A	0603B104K500CT 100nF 10% 50
		C856	0CK104CK56A	0603B104K500CT 100nF 10% 50
		C857	0CK104CK56A	0603B104K500CT 100nF 10% 50
		C858	0CK104CK56A	0603B104K500CT 100nF 10% 50
		C859	0CK104CK56A	0603B104K500CT 100nF 10% 50
		C860	0CK104CK56A	0603B104K500CT 100nF 10% 50
		C861	0CK104CK56A	0603B104K500CT 100nF 10% 50
		C862	0CK103CK56A	0603B103K500CT 10nF 10% 50V
		C863	0CK104CK56A	0603B104K500CT 100nF 10% 50
		C864	0CK104CK56A	0603B104K500CT 100nF 10% 50
		C865	0CK104CK56A	0603B104K500CT 100nF 10% 50
		C866	0CK104CK56A	0603B104K500CT 100nF 10% 50
		C867	0CK104CK56A	0603B104K500CT 100nF 10% 50
		C869	0CK104CK56A	0603B104K500CT 100nF 10% 50
		C871	0CK104CK56A	0603B104K500CT 100nF 10% 50
		C872	0CK104CK56A	0603B104K500CT 100nF 10% 50
		C873	0CK104CK56A	0603B104K500CT 100nF 10% 50
		C875	0CK104CK56A	0603B104K500CT 100nF 10% 50
		C876	0CK103CK56A	0603B103K500CT 10nF 10% 50V
		C877	0CK104CK56A	0603B104K500CT 100nF 10% 50
		C878	0CK104CK56A	0603B104K500CT 100nF 10% 50
		C879	0CK104CK56A	0603B104K500CT 100nF 10% 50
		C880	0CK104CK56A	0603B104K500CT 100nF 10% 50
		C882	0CK104CK56A	0603B104K500CT 100nF 10% 50
		C883	0CK104CK56A	0603B104K500CT 100nF 10% 50
		C884	0CK103CK56A	0603B103K500CT 10nF 10% 50V
		C885	0CK104CK56A	0603B104K500CT 100nF 10% 50
		C887	0CK104CK56A	0603B104K500CT 100nF 10% 50
		C888	0CK104CK56A	0603B104K500CT 100nF 10% 50
		C889	0CK104CK56A	0603B104K500CT 100nF 10% 50
		C890	0CK104CK56A	0603B104K500CT 100nF 10% 50
		C891	0CK104CK56A	0603B104K500CT 100nF 10% 50
		C892	0CK103CK56A	0603B103K500CT 10nF 10% 50V
		C893	0CK104CK56A	0603B104K500CT 100nF 10% 50
		C894	0CK104CK56A	0603B104K500CT 100nF 10% 50

DATE: 2006. 03. 30.				
*S	*AL	LOC. NO.	PART NO.	DESCRIPTION / SPECIFICATION
		C895	0CK104CK56A	0603B104K500CT 100nF 10% 50
		C896	0CK104CK56A	0603B104K500CT 100nF 10% 50
		C897	0CK104CK56A	0603B104K500CT 100nF 10% 50
		C899	0CK104CK56A	0603B104K500CT 100nF 10% 50
		C902	0CK104CK56A	0603B104K500CT 100nF 10% 50
		C903	0CK103CK56A	0603B103K500CT 10nF 10% 50V
		C906	0CK104CK56A	0603B104K500CT 100nF 10% 50
		C907	0CK103CK56A	0603B103K500CT 10nF 10% 50V
		C908	0CK104CK56A	0603B104K500CT 100nF 10% 50
		C909	0CK103CK56A	0603B103K500CT 10nF 10% 50V
		C910	0CK104CK56A	0603B104K500CT 100nF 10% 50
		C911	0CK103CK56A	0603B103K500CT 10nF 10% 50V
		C912	0CK104CK56A	0603B104K500CT 100nF 10% 50
		C913	0CK103CK56A	0603B103K500CT 10nF 10% 50V
		C914	0CK104CK56A	0603B104K500CT 100nF 10% 50
		C915	0CK103CK56A	0603B103K500CT 10nF 10% 50V
		C916	0CK104CK56A	0603B104K500CT 100nF 10% 50
		C917	0CK103CK56A	0603B103K500CT 10nF 10% 50V
		C918	0CK104CK56A	0603B104K500CT 100nF 10% 50
		C919	0CK103CK56A	0603B103K500CT 10nF 10% 50V
		C920	0CK104CK56A	0603B104K500CT 100nF 10% 50
		C921	0CK103CK56A	0603B103K500CT 10nF 10% 50V
		C922	0CK104CK56A	0603B104K500CT 100nF 10% 50
		C923	0CK103CK56A	0603B103K500CT 10nF 10% 50V
		C924	0CK104CK56A	0603B104K500CT 100nF 10% 50
		C925	0CK103CK56A	0603B103K500CT 10nF 10% 50V
		C926	0CK104CK56A	0603B104K500CT 100nF 10% 50
		C927	0CK103CK56A	0603B103K500CT 10nF 10% 50V
		C928	0CK104CK56A	0603B104K500CT 100nF 10% 50
		C929	0CK103CK56A	0603B103K500CT 10nF 10% 50V
		C931	0CK104CK56A	0603B104K500CT 100nF 10% 50
		C932	0CK103CK56A	0603B103K500CT 10nF 10% 50V
		C933	0CK104CK56A	0603B104K500CT 100nF 10% 50
		C934	0CK103CK56A	0603B103K500CT 10nF 10% 50V
		C935	0CK104CK56A	0603B104K500CT 100nF 10% 50
		C936	0CK103CK56A	0603B103K500CT 10nF 10% 50V
		C937	0CK104CK56A	0603B104K500CT 100nF 10% 50
		C938	0CK103CK56A	0603B103K500CT 10nF 10% 50V
		C939	0CK104CK56A	0603B104K500CT 100nF 10% 50
		C940	0CK103CK56A	0603B103K500CT 10nF 10% 50V
		C941	0CK104CK56A	0603B104K500CT 100nF 10% 50
		C942	0CK103CK56A	0603B103K500CT 10nF 10% 50V
		C944	0CK104CK56A	0603B104K500CT 100nF 10% 50
		C949	0CK103CK56A	0603B103K500CT 10nF 10% 50V
		C951	0CK104CK56A	0603B104K500CT 100nF 10% 50
		C108	0CC221CK41A	C1608C0G1H221JT 220pF 5% 50
		C109	0CC221CK41A	C1608C0G1H221JT 220pF 5% 50
		C110	0CC221CK41A	C1608C0G1H221JT 220pF 5% 50
		C111	0CK103CK56A	0603B103K500CT 10nF 10% 50V
		C112	0CK102CK56A	0603B102K500CT 1nF 10% 50V
		C113	0CK103CK56A	0603B103K500CT 10nF 10% 50V
		C114	0CK102CK56A	0603B102K500CT 1nF 10% 50V
		C115	0CK103CK56A	0603B103K500CT 10nF 10% 50V
		C116	0CK102CK56A	0603B102K500CT 1nF 10% 50V
		C117	0CK103CK56A	0603B103K500CT 10nF 10% 50V
		C120	0CK102CK56A	0603B102K500CT 1nF 10% 50V
		C121	0CC331CK41A	C1608C0G1H331JT 330pF 5% 50
		C122	0CC331CK41A	C1608C0G1H331JT 330pF 5% 50
		C123	0CC331CK41A	C1608C0G1H331JT 330pF 5% 50
		C130	0CK103CK56A	0603B103K500CT 10nF 10% 50V
		C137	0CK104CK56A	0603B104K500CT 100nF 10% 50
		C138	0CK104CK56A	0603B104K500CT 100nF 10% 50

DATE: 2006. 03. 30.				
*S	*AL	LOC. NO.	PART NO.	DESCRIPTION / SPECIFICATION
		C139	0CK104CK56A	0603B104K500CT 100nF 10% 50
		C141	0CK104CK56A	0603B104K500CT 100nF 10% 50
		C1827	0CK471CK56A	C1608X7R1H471KT 470pF 10% 5
		C1828	0CK471CK56A	C1608X7R1H471KT 470pF 10% 5
		C1829	0CK471CK56A	C1608X7R1H471KT 470pF 10% 5
		C1830	0CK471CK56A	C1608X7R1H471KT 470pF 10% 5
		C1831	0CK471CK56A	C1608X7R1H471KT 470pF 10% 5
		C805	0CK471CK56A	C1608X7R1H471KT 470pF 10% 5
		C809	0CK104CK56A	0603B104K500CT 100nF 10% 50
		C810	0CK104CK56A	0603B104K500CT 100nF 10% 50
		C1032	0CK104CK56A	0603B104K500CT 100nF 10% 50
		C1200	0CK104CK56A	0603B104K500CT 100nF 10% 50
		C1245	0CK104CK56A	0603B104K500CT 100nF 10% 50
		C1246	0CK104CK56A	0603B104K500CT 100nF 10% 50
		C1249	0CC101CK41A	C1608C0G1H101JT 100pF 5% 50
		C1250	0CC101CK41A	C1608C0G1H101JT 100pF 5% 50
		C1426	0CF4741L438	PCMT 365 76474 470nF 5% 63V
		C1427	0CF4741L438	PCMT 365 76474 470nF 5% 63V
DIODES				
		D1201	0DD184009AA	KDS184 KDS184 TP KEC - 85V
		D1200	0DD184009AA	KDS184 KDS184 TP KEC - 85V
		D1007	0DD200009AF	RU2M 400V 1.2V 10UA 20A 400
		D1008	0DD200009AF	RU2M 400V 1.2V 10UA 20A 400
		D300	0DS226009AA	KDS226 1.2V 85V 300MA 2A 4N
		D500	0DS226009AA	KDS226 1.2V 85V 300MA 2A 4N
		D501	0DS226009AA	KDS226 1.2V 85V 300MA 2A 4N
		D502	0DS226009AA	KDS226 1.2V 85V 300MA 2A 4N
		D1000	0DS226009AA	KDS226 1.2V 85V 300MA 2A 4N
		D1001	0DS226009AA	KDS226 1.2V 85V 300MA 2A 4N
		D1002	0DS226009AA	KDS226 1.2V 85V 300MA 2A 4N
		D1004	0DS226009AA	KDS226 1.2V 85V 300MA 2A 4N
		D1005	0DS226009AA	KDS226 1.2V 85V 300MA 2A 4N
		D1006	0DS226009AA	KDS226 1.2V 85V 300MA 2A 4N
		D1100	0DS226009AA	KDS226 1.2V 85V 300MA 2A 4N
		D1101	0DS226009AA	KDS226 1.2V 85V 300MA 2A 4N
		D1102	0DS226009AA	KDS226 1.2V 85V 300MA 2A 4N
		D114	0DS226009AA	KDS226 1.2V 85V 300MA 2A 4N
		D115	0DS226009AA	KDS226 1.2V 85V 300MA 2A 4N
		D100	0DS226009AA	KDS226 1.2V 85V 300MA 2A 4N
		D101	0DS226009AA	KDS226 1.2V 85V 300MA 2A 4N
		D102	0DS226009AA	KDS226 1.2V 85V 300MA 2A 4N
		D103	0DS226009AA	KDS226 1.2V 85V 300MA 2A 4N
		D104	0DS226009AA	KDS226 1.2V 85V 300MA 2A 4N
		D504	0DS226009AA	KDS226 1.2V 85V 300MA 2A 4N
		D1204	0DRSE00048A	RLCAMP0504M 1.2V 6V 25V 12A
		D1205	0DRSE00048A	RLCAMP0504M 1.2V 6V 25V 12A
		ZD501	0DR050008AA	SD05.TC - 6V 14.5V 24A 350W
		ZD502	0DR050008AA	SD05.TC - 6V 14.5V 24A 350W
		ZD503	0DR050008AA	SD05.TC - 6V 14.5V 24A 350W
		ZD600	0DR050008AA	SD05.TC - 6V 14.5V 24A 350W
		D1202	0DRSE00048A	RLCAMP0504M 1.2V 6V 25V 12A
		D1203	0DRSE00048A	RLCAMP0504M 1.2V 6V 25V 12A
		ZD400	0DZRM00248A	RLZ8.2B 8200MV 7.78TO8.19V
IC				
		IC300	0ISO206900A	CXA2069Q 8.5TO9.5V - - 1300
		IC402	0IMCRTI028C	"TAS5122DCARG4.LF 3TO3.6V_16"
		IC403	0IPH741400E	74HC14D 2TO6V 0.002mA SCHMI
		IC501	0IPH741400E	74HC14D 2TO6V 0.002mA SCHMI

DATE: 2006. 03. 30.				
*S	*AL	LOC. NO.	PART NO.	DESCRIPTION / SPECIFICATION
		IC800	0IPRP00692B	FLI8662-LF-AB-XD - - - PBGA
		IC901	0IMMR00002A	K4D261638F-LC50 128MBIT 8MX
		IC902	0IMMR00002A	K4D261638F-LC50 128MBIT 8MX
		IC1202	0IMMRAL014B	AT24C02N-10SI-2.7 2KBIT 256
		IC500	0IMMRAL014B	AT24C02N-10SI-2.7 2KBIT 256
		IC802	0IMP242560A	24LC256-I/SM 256KBIT 32KX8B
		IC1201	0IMMRAL014B	AT24C02N-10SI-2.7 2KBIT 256
		IC1200	0IPRP00735A	ANX9021 3.3V - 17MHZ TQFP T
		IC1000	0IPRPM001A	MIC39100 2.3TO26V - - SOT22
		IC1001	0IPMGRH001G	BA33BC0FP-E2 4.3TO16V 3.3V
		IC1003	0IPMG00027A	SC156515M-1.8TR 2.2TO5.5V 1
		IC1004	0IPMGRH001G	BA33BC0FP-E2 4.3TO16V 3.3V
		IC1005	0IPMGRH001G	BA33BC0FP-E2 4.3TO16V 3.3V
		IC1100	0IPMGKE030A	KIA78R05F 6TO12V 5V 8W DPAK
		IC1101	0IPRPM001A	MIC39100 2.3TO26V - - SOT22
		IC1102	0IPMG00027A	SC156515M-1.8TR 2.2TO5.5V 1
		IC900	0IMMRAL016D	AT49BV160C-70TU 16MBIT 1MX1
		IC400	0IMCRMN028C	MSP4450K-QA-D6 7.6TO8.7V_4.
		IC401	0IPRP00718A	NTP-2000 2.0TO5.0V - LQFP T
		IC600	0IPRP00009A	ICL3232CBNZ 3.0TO5.5 - SSOP
		IC301	0ISA721700C	LA7217M 4.5VTO5.5V 16.1KHZ
		IC1002	0IMCRFA010A	KA7809R 11.5TO24V 9V 150W D
COIL & CORE & INDUCTOR				
		L1000	6140VB0004B	LN-15A1 26uH - - 12X9MM LEA
		L1101	6140VB0004B	LN-15A1 26uH - - 12X9MM LEA
		L1105	6140VB0004B	LN-15A1 26uH - - 12X9MM LEA
		L1106	6140VB0004B	LN-15A1 26uH - - 12X9MM LEA
		L1107	6140VB0004B	LN-15A1 26uH - - 12X9MM LEA
		L1110	6140VB0004B	LN-15A1 26uH - - 12X9MM LEA
		L1404	6140VB0032A	DBF-1015A 15.5uH - - 10.8X1
		L1405	6140VB0032A	DBF-1015A 15.5uH - - 10.8X1
		L1406	6140VB0032A	DBF-1015A 15.5uH - - 10.8X1
		L1407	6140VB0032A	DBF-1015A 15.5uH - - 10.8X1
		AR1200	6210TCE002B	HB-4M3216-121JT 120OHM 3.2X
		AR1201	6210TCE002B	HB-4M3216-121JT 120OHM 3.2X
		AR1202	6210TCE002B	HB-4M3216-121JT 120OHM 3.2X
		AR1203	6210TCE002B	HB-4M3216-121JT 120OHM 3.2X
		AR1204	6210TCE002B	HB-4M3216-121JT 120OHM 3.2X
		AR1205	6210TCE002B	HB-4M3216-121JT 120OHM 3.2X
		L1005	6200J000013	MLB-321611-0500P-N2 500OHM
		L1006	6200J000013	MLB-321611-0500P-N2 500OHM
		L1008	6200J000013	MLB-321611-0500P-N2 500OHM
		L1011	6200J000013	MLB-321611-0500P-N2 500OHM
		L1016	6200J000013	MLB-321611-0500P-N2 500OHM
		L1017	6200J000013	MLB-321611-0500P-N2 500OHM
		L1018	6200J000013	MLB-321611-0500P-N2 500OHM
		L1019	6200J000013	MLB-321611-0500P-N2 500OHM
		L1020	6200J000013	MLB-321611-0500P-N2 500OHM
		L1022	6200J000013	MLB-321611-0500P-N2 500OHM
		L1102	6200J000013	MLB-321611-0500P-N2 500OHM
		L1109	6200J000013	MLB-321611-0500P-N2 500OHM
		L1111	6200J000013	MLB-321611-0500P-N2 500OHM
		L1116	6200J000013	MLB-321611-0500P-N2 500OHM
		L309	6200J000013	MLB-321611-0500P-N2 500OHM
		L310	6200JB8010L	MLB-201209-1000L-N2 1000OHM
		L401	6200J000013	MLB-321611-0500P-N2 500OHM
		L502	6200J000013	MLB-321611-0500P-N2 500OHM
		L600	6200J000013	MLB-321611-0500P-N2 500OHM
		L901	6200J000013	MLB-321611-0500P-N2 500OHM
		L902	6200J000013	MLB-321611-0500P-N2 500OHM

DATE: 2006. 03. 30.				
*S	*AL	LOC. NO.	PART NO.	DESCRIPTION / SPECIFICATION
		L1001	6200J000013	MLB-321611-0500P-N2 500OHM
		L1002	6200J000013	MLB-321611-0500P-N2 500OHM
		L1004	6200J000013	MLB-321611-0500P-N2 500OHM
		L1012	6200J000013	MLB-321611-0500P-N2 500OHM
		L1013	6200J000013	MLB-321611-0500P-N2 500OHM
		L1014	6200J000013	MLB-321611-0500P-N2 500OHM
		L1015	6200J000013	MLB-321611-0500P-N2 500OHM
		L1021	6200J000013	MLB-321611-0500P-N2 500OHM
		L1103	6200J000013	MLB-321611-0500P-N2 500OHM
		L1104	6200J000013	MLB-321611-0500P-N2 500OHM
		L1108	6200J000013	MLB-321611-0500P-N2 500OHM
		L1112	6200J000013	MLB-321611-0500P-N2 500OHM
		L1113	6200J000013	MLB-321611-0500P-N2 500OHM
		L1114	6200J000013	MLB-321611-0500P-N2 500OHM
		L1115	6200J000013	MLB-321611-0500P-N2 500OHM
		L115	6200JB8010L	MLB-201209-1000L-N2 1000OHM
		L116	6200JB8010L	MLB-201209-1000L-N2 1000OHM
		L119	6200JB8010L	MLB-201209-1000L-N2 1000OHM
		L1201	6200J000013	MLB-321611-0500P-N2 500OHM
		L1202	6200J000013	MLB-321611-0500P-N2 500OHM
		L1203	6200J000013	MLB-321611-0500P-N2 500OHM
		L125	6200JB8010L	MLB-201209-1000L-N2 1000OHM
		L1858	6200J000013	MLB-321611-0500P-N2 500OHM
		L1859	6200J000013	MLB-321611-0500P-N2 500OHM
		L203	6200J000013	MLB-321611-0500P-N2 500OHM
		L205	6200J000013	MLB-321611-0500P-N2 500OHM
		L308	6200J000013	MLB-321611-0500P-N2 500OHM
		L400	6200J000013	MLB-321611-0500P-N2 500OHM
		L403	6200J000013	MLB-321611-0500P-N2 500OHM
		L500	6200JB8010L	MLB-201209-1000L-N2 1000OHM
		L501	6200JB8010L	MLB-201209-1000L-N2 1000OHM
		L503	6200J000013	MLB-321611-0500P-N2 500OHM
		L903	6200J000013	MLB-321611-0500P-N2 500OHM
		R1471	0LCML00003B	MLB-201209-0120P-N2 120OHM
		R1472	0LCML00003B	MLB-201209-0120P-N2 120OHM
		R1473	0LCML00003B	MLB-201209-0120P-N2 120OHM
		R1474	0LCML00003B	MLB-201209-0120P-N2 120OHM
		L114	6200J000013	MLB-321611-0500P-N2 500OHM
		L100	6200J000013	MLB-321611-0500P-N2 500OHM
		L101	6200J000013	MLB-321611-0500P-N2 500OHM
		L113	6200J000013	MLB-321611-0500P-N2 500OHM
		L801	6200J000013	MLB-321611-0500P-N2 500OHM
		L1200	6200J000013	MLB-321611-0500P-N2 500OHM
		L207	0LC6461201A	D75C-646CY-121M=P3 120UH 20
		L120	0LCML00020G	MLI-201209-3R3K 3.3UH 10% -
		L121	0LCML00020G	MLI-201209-3R3K 3.3UH 10% -
		L122	0LCML00020G	MLI-201209-3R3K 3.3UH 10% -
		L123	0LCML00020G	MLI-201209-3R3K 3.3UH 10% -
		L206	0LCML00020G	MLI-201209-3R3K 3.3UH 10% -
		L311	0LCML00020C	MLI-201212-100K 10UH 10% -
		L407	0LCML00020C	MLI-201212-100K 10UH 10% -
		L408	0LCML00020C	MLI-201212-100K 10UH 10% -
		L102	0LCML00020G	MLI-201209-3R3K 3.3UH 10% -
		L103	0LCML00020G	MLI-201209-3R3K 3.3UH 10% -
		L104	0LCML00020G	MLI-201209-3R3K 3.3UH 10% -
		L105	0LCML00020G	MLI-201209-3R3K 3.3UH 10% -
		L106	0LCML00020G	MLI-201209-3R3K 3.3UH 10% -
		L107	0LCML00020G	MLI-201209-3R3K 3.3UH 10% -
		L108	0LCML00020G	MLI-201209-3R3K 3.3UH 10% -
		L109	0LCML00020G	MLI-201209-3R3K 3.3UH 10% -
		L110	0LCML00020G	MLI-201209-3R3K 3.3UH 10% -
		L111	0LCML00020G	MLI-201209-3R3K 3.3UH 10% -

DATE: 2006. 03. 30.				
*S	*AL	LOC. NO.	PART NO.	DESCRIPTION / SPECIFICATION
		L112	0LCML00020G	MLI-201209-3R3K 3.3UH 10% -
		D1003	0DL233309AC	SAM2333 RED/Y-GREEN 2.7V 2.
		D1103	0DL233309AC	SAM2333 RED/Y-GREEN 2.7V 2.
FET & TRANSISTOR				
		IC1006	0TF492509AA	SI4925DY P-CHANNEL -30V +-2
		IC1205	0TR830009BA	BSS83 N-CHANNEL MOSFET 10V
		IC1206	0TR830009BA	BSS83 N-CHANNEL MOSFET 10V
		IC1203	0TR830009BA	BSS83 N-CHANNEL MOSFET 10V
		IC1204	0TR830009BA	BSS83 N-CHANNEL MOSFET 10V
		Q1000	0TR387500AA	2SC3875S(ALY) NPN 5V 60V 50
		Q1001	0TR387500AA	2SC3875S(ALY) NPN 5V 60V 50
		Q1004	0TR387500AA	2SC3875S(ALY) NPN 5V 60V 50
		Q1005	0TR387500AA	2SC3875S(ALY) NPN 5V 60V 50
		Q1201	0TR387500AA	2SC3875S(ALY) NPN 5V 60V 50
		Q212	0TR387500AA	2SC3875S(ALY) NPN 5V 60V 50
		Q300	0TR387500AA	2SC3875S(ALY) NPN 5V 60V 50
		Q301	0TR387500AA	2SC3875S(ALY) NPN 5V 60V 50
		Q302	0TR387500AA	2SC3875S(ALY) NPN 5V 60V 50
		Q303	0TR387500AA	2SC3875S(ALY) NPN 5V 60V 50
		Q304	0TR387500AA	2SC3875S(ALY) NPN 5V 60V 50
		Q400	0TR387500AA	2SC3875S(ALY) NPN 5V 60V 50
		Q401	0TR387500AA	2SC3875S(ALY) NPN 5V 60V 50
		Q402	0TR387500AA	2SC3875S(ALY) NPN 5V 60V 50
		Q404	0TR387500AA	2SC3875S(ALY) NPN 5V 60V 50
		Q408	0TR102009AM	KRA102S PNP -30V - -50V -0.
		Q410	0TR387500AA	2SC3875S(ALY) NPN 5V 60V 50
		Q411	0TR387500AA	2SC3875S(ALY) NPN 5V 60V 50
		Q600	0TR387500AA	2SC3875S(ALY) NPN 5V 60V 50
		Q105	0TR387500AA	2SC3875S(ALY) NPN 5V 60V 50
		Q106	0TR387500AA	2SC3875S(ALY) NPN 5V 60V 50
		Q107	0TR102009AM	KRA102S PNP -30V - -50V -0.
		Q201	0TR387500AA	2SC3875S(ALY) NPN 5V 60V 50
		Q202	0TR150400BA	2SA1504S(ASY) PNP -5V -50V
		Q203	0TR387500AA	2SC3875S(ALY) NPN 5V 60V 50
		Q204	0TR150400BA	2SA1504S(ASY) PNP -5V -50V
		Q205	0TR387500AA	2SC3875S(ALY) NPN 5V 60V 50
		Q206	0TR150400BA	2SA1504S(ASY) PNP -5V -50V
		Q207	0TR150400BA	2SA1504S(ASY) PNP -5V -50V
		Q305	0TR150400BA	2SA1504S(ASY) PNP -5V -50V
		Q403	0TR387500AA	2SC3875S(ALY) NPN 5V 60V 50
		Q405	0TR102009AM	KRA102S PNP -30V - -50V -0.
		Q407	0TR387500AA	2SC3875S(ALY) NPN 5V 60V 50
		Q409	0TR387500AA	2SC3875S(ALY) NPN 5V 60V 50
		Q100	0TR387500AA	2SC3875S(ALY) NPN 5V 60V 50
		Q101	0TR387500AA	2SC3875S(ALY) NPN 5V 60V 50
		Q102	0TR387500AA	2SC3875S(ALY) NPN 5V 60V 50
		Q103	0TR387500AA	2SC3875S(ALY) NPN 5V 60V 50
		Q104	0TR102009AM	KRA102S PNP -30V - -50V -0.
		Q108	0TR150400BA	2SA1504S(ASY) PNP -5V -50V
		Q801	0TR150400BA	2SA1504S(ASY) PNP -5V -50V
		Q800	0TR102009AJ	KRC102S NPN 30V - 50V 100MA
		Q1006	0TR387500AA	2SC3875S(ALY) NPN 5V 60V 50
		Q1200	0TR387500AA	2SC3875S(ALY) NPN 5V 60V 50
RESISTORS				
		AR800	0RJ0332C687	RCA86TRJ33R0 33OHM 5% 1/16W
		AR801	0RJ0332C687	RCA86TRJ33R0 33OHM 5% 1/16W
		AR802	0RJ0332C687	RCA86TRJ33R0 33OHM 5% 1/16W
		AR803	0RJ0332C687	RCA86TRJ33R0 33OHM 5% 1/16W

DATE: 2006. 03. 30.				
*S	*AL	LOC. NO.	PART NO.	DESCRIPTION / SPECIFICATION
			AR804	0RJ0332C687 RCA86TRJ33R0 33OHM 5% 1/16W
			AR805	0RJ0332C687 RCA86TRJ33R0 33OHM 5% 1/16W
			AR806	0RJ0332C687 RCA86TRJ33R0 33OHM 5% 1/16W
			AR807	0RJ0332C687 RCA86TRJ33R0 33OHM 5% 1/16W
			R226	ORD0331H609 RD-92T1J3R30 3300MOHM 5% 1/
			R1828	0RJ0000D677 "MCR03EZPJ000 0OHM 5% 1/10W-37LP2R, LPL
			L1853	0RJ0000D677 MCR03EZPJ000 0OHM 5% 1/10W
			L1856	0RJ0000D677 MCR03EZPJ000 0OHM 5% 1/10W
			R1002	0RJ1801D677 MCR03EZPJ182 1.8KOHM 5% 1/1
			R1003	0RJ4701D677 MCR03EZPJ472 4.7KOHM 5% 1/1
			R1005	0RJ2000D677 MCR03EZPJ201 200OHM 5% 1/10
			R1010	0RJ1002D677 MCR03EZPJ103 10KOHM 5% 1/10
			R1012	0RJ1002D677 MCR03EZPJ103 10KOHM 5% 1/10
			R1015	0RJ1002D677 MCR03EZPJ103 10KOHM 5% 1/10
			R1016	0RJ1002D677 MCR03EZPJ103 10KOHM 5% 1/10
			R1017	0RJ1002D677 MCR03EZPJ103 10KOHM 5% 1/10
			R1019	0RJ1002D677 MCR03EZPJ103 10KOHM 5% 1/10
			R1020	0RJ1002D677 MCR03EZPJ103 10KOHM 5% 1/10
			R1021	0RJ2002D677 MCR03EZPJ2002 20KOHM 5% 1/1
			R1100	0RJ1002D677 MCR03EZPJ103 10KOHM 5% 1/10
			R1101	0RJ1201D677 MCR03EZPJ122 1.2KOHM 5% 1/1
			R1200	0RJ1002D677 MCR03EZPJ103 10KOHM 5% 1/10
			R1206	0RJ1001D677 MCR03EZPJ102 1KOHM 5% 1/10W
			R1210	0RJ0332D677 MCR03EZPJ330 33OHM 5% 1/10W
			R1215	0RJ0102D677 MCR03EZPJ100 10OHM 5% 1/10W
			R1216	0RJ0102D677 MCR03EZPJ100 10OHM 5% 1/10W
			R1217	0RJ0102D677 MCR03EZPJ100 10OHM 5% 1/10W
			R1218	0RJ0102D677 MCR03EZPJ100 10OHM 5% 1/10W
			R1219	0RJ0102D677 MCR03EZPJ100 10OHM 5% 1/10W
			R1220	0RJ0102D677 MCR03EZPJ100 10OHM 5% 1/10W
			R1221	0RJ0102D677 MCR03EZPJ100 10OHM 5% 1/10W
			R1222	0RJ0102D677 MCR03EZPJ100 10OHM 5% 1/10W
			R1237	0RJ1000D677 MCR03EZPJ101 100OHM 5% 1/10
			R1238	0RJ1000D677 MCR03EZPJ101 100OHM 5% 1/10
			R1251	0RJ1502D677 MCR03EZPJ153 15KOHM 5% 1/10
			R1253	0RJ1502D677 MCR03EZPJ153 15KOHM 5% 1/10
			R1257	0RJ0222D677 MCR03EZPJ220 22OHM 5% 1/10W
			R1258	0RJ0222D677 MCR03EZPJ220 22OHM 5% 1/10W
			R1261	0RJ0222D677 MCR03EZPJ220 22OHM 5% 1/10W
			R1263	0RJ0332D677 MCR03EZPJ330 33OHM 5% 1/10W
			R1264	0RJ0332D677 MCR03EZPJ330 33OHM 5% 1/10W
			R1265	0RJ0332D677 MCR03EZPJ330 33OHM 5% 1/10W
			R1266	0RJ1004D677 MCR03EZPJ105 1MOHM 5% 1/10W
			R1267	0RJ1820D477 MCR03EZPJ1820 1820OHM 1% 1/1
			R1268	0RJ4701D677 MCR03EZPJ472 4.7KOHM 5% 1/1
			R1269	0RJ0000D677 MCR03EZPJ000 0OHM 5% 1/10W
			R1272	0RJ0222D677 MCR03EZPJ220 22OHM 5% 1/10W
			R1274	0RJ0222D677 MCR03EZPJ220 22OHM 5% 1/10W
			R1275	0RJ0222D677 MCR03EZPJ220 22OHM 5% 1/10W
			R1276	0RJ0222D677 MCR03EZPJ220 22OHM 5% 1/10W
			R1279	0RJ1001D677 MCR03EZPJ102 1KOHM 5% 1/10W
			R1280	0RJ2001D677 MCR03EZPJ202 2KOHM 5% 1/10W
			R1406	0RJ0101D677 MCR03EZPJ1R0 1OHM 5% 1/10W
			R1413	0RJ0221D677 MCR03EZPJ2R2 2200MOHM 5% 1/
			R1414	0RJ0221D677 MCR03EZPJ2R2 2200MOHM 5% 1/
			R1415	0RJ0221D677 MCR03EZPJ2R2 2200MOHM 5% 1/
			R1416	0RJ0221D677 MCR03EZPJ2R2 2200MOHM 5% 1/
			R1438	0RJ0222D677 MCR03EZPJ220 22OHM 5% 1/10W
			R1439	0RJ1000D677 MCR03EZPJ101 100OHM 5% 1/10
			R1440	0RJ1000D677 MCR03EZPJ101 100OHM 5% 1/10
			R1441	0RJ0000D677 MCR03EZPJ000 0OHM 5% 1/10W
			R1442	0RJ0000D677 MCR03EZPJ000 0OHM 5% 1/10W

DATE: 2006. 03. 30.				
*S	*AL	LOC. NO.	PART NO.	DESCRIPTION / SPECIFICATION
		R1447	0RJ4701D677	MCR03EZPJ472 4.7KOHM 5% 1/1
		R1450	0RJ0222D677	MCR03EZPJ220 22OHM 5% 1/10W
		R1451	0RJ0222D677	MCR03EZPJ220 22OHM 5% 1/10W
		R1452	0RJ0222D677	MCR03EZPJ220 22OHM 5% 1/10W
		R1458	0RJ1000D677	MCR03EZPJ101 100OHM 5% 1/10
		R1460	0RJ0000D677	MCR03EZPJ000 0OHM 5% 1/10W
		R1461	0RJ0000D677	MCR03EZPJ000 0OHM 5% 1/10W
		R1463	0RJ0000D677	MCR03EZPJ000 0OHM 5% 1/10W
		R1465	0RJ0000D677	MCR03EZPJ000 0OHM 5% 1/10W
		R1466	0RJ0000D677	MCR03EZPJ000 0OHM 5% 1/10W
		R1469	0RJ0000D677	MCR03EZPJ000 0OHM 5% 1/10W
		R1802	0RJ1002D677	MCR03EZPJ103 10KOHM 5% 1/10
		R1803	0RJ1002D677	MCR03EZPJ103 10KOHM 5% 1/10
		R1807	0RJ1002D677	MCR03EZPJ103 10KOHM 5% 1/10
		R1808	0RJ1002D677	MCR03EZPJ103 10KOHM 5% 1/10
		R1814	0RJ0000D677	MCR03EZPJ000 0OHM 5% 1/10W
		R1815	0RJ0000D677	MCR03EZPJ000 0OHM 5% 1/10W
		R1816	0RJ0000D677	MCR03EZPJ000 0OHM 5% 1/10W
		R1817	0RJ0000D677	MCR03EZPJ000 0OHM 5% 1/10W
		R1818	0RJ0000D677	MCR03EZPJ000 0OHM 5% 1/10W
		R1819	0RJ0000D677	MCR03EZPJ000 0OHM 5% 1/10W
		R1820	0RJ0000D677	MCR03EZPJ000 0OHM 5% 1/10W
		R1821	0RJ0000D677	MCR03EZPJ000 0OHM 5% 1/10W
		R1822	0RJ0000D677	MCR03EZPJ000 0OHM 5% 1/10W
		R1823	0RJ0000D677	MCR03EZPJ000 0OHM 5% 1/10W
		R1825	0RJ0000D677	MCR03EZPJ000 0OHM 5% 1/10W
		R1866	0RJ1002D677	MCR03EZPJ103 10KOHM 5% 1/10
		R1867	0RJ1002D677	MCR03EZPJ103 10KOHM 5% 1/10
		R1889	0RJ0222D677	MCR03EZPJ220 22OHM 5% 1/10W
		R247	0RJ1002D677	MCR03EZPJ103 10KOHM 5% 1/10
		R306	0RJ1000D677	MCR03EZPJ101 100OHM 5% 1/10
		R311	0RJ2200D677	MCR03EZPJ221 220OHM 5% 1/10
		R312	0RJ2200D677	MCR03EZPJ221 220OHM 5% 1/10
		R313	0RJ2200D677	MCR03EZPJ221 220OHM 5% 1/10
		R314	0RJ2200D677	MCR03EZPJ221 220OHM 5% 1/10
		R315	0RJ1001D677	MCR03EZPJ102 1KOHM 5% 1/10W
		R316	0RJ1001D677	MCR03EZPJ102 1KOHM 5% 1/10W
		R317	0RJ1000D677	MCR03EZPJ101 100OHM 5% 1/10
		R318	0RJ1000D677	MCR03EZPJ101 100OHM 5% 1/10
		R319	0RJ1001D677	MCR03EZPJ102 1KOHM 5% 1/10W
		R320	0RJ1001D677	MCR03EZPJ102 1KOHM 5% 1/10W
		R322	0RJ1003D677	MCR03EZPJ104 100KOHM 5% 1/1
		R323	0RJ2200D677	MCR03EZPJ221 220OHM 5% 1/10
		R324	0RJ2200D677	MCR03EZPJ221 220OHM 5% 1/10
		R326	0RJ1000D677	MCR03EZPJ101 100OHM 5% 1/10
		R329	0RJ1000D677	MCR03EZPJ101 100OHM 5% 1/10
		R330	0RJ1000D677	MCR03EZPJ101 100OHM 5% 1/10
		R333	0RJ1000D677	MCR03EZPJ101 100OHM 5% 1/10
		R334	0RJ1201D677	MCR03EZPJ122 1.2KOHM 5% 1/1
		R335	0RJ1000D677	MCR03EZPJ101 100OHM 5% 1/10
		R336	0RJ1201D677	MCR03EZPJ122 1.2KOHM 5% 1/1
		R337	0RJ1000D677	MCR03EZPJ101 100OHM 5% 1/10
		R338	0RJ1002D677	MCR03EZPJ103 10KOHM 5% 1/10
		R339	0RJ1000D677	MCR03EZPJ101 100OHM 5% 1/10
		R340	0RJ1201D677	MCR03EZPJ122 1.2KOHM 5% 1/1
		R341	0RJ1000D677	MCR03EZPJ101 100OHM 5% 1/10
		R342	0RJ1201D677	MCR03EZPJ122 1.2KOHM 5% 1/1
		R343	0RJ1000D677	MCR03EZPJ101 100OHM 5% 1/10
		R344	0RJ1001D677	MCR03EZPJ102 1KOHM 5% 1/10W
		R345	0RJ1000D677	MCR03EZPJ101 100OHM 5% 1/10
		R346	0RJ1201D677	MCR03EZPJ122 1.2KOHM 5% 1/1
		R347	0RJ1000D677	MCR03EZPJ101 100OHM 5% 1/10

DATE: 2006. 03. 30.				
*S	*AL	LOC. NO.	PART NO.	DESCRIPTION / SPECIFICATION
		R348	0RJ1201D677	MCR03EZPJ122 1.2KOHM 5% 1/1
		R349	0RJ1000D677	MCR03EZPJ101 100OHM 5% 1/10
		R350	0RJ1001D677	MCR03EZPJ102 1KOHM 5% 1/10W
		R352	0RJ1201D677	MCR03EZPJ122 1.2KOHM 5% 1/1
		R354	0RJ1201D677	MCR03EZPJ122 1.2KOHM 5% 1/1
		R355	0RJ1000D677	MCR03EZPJ101 100OHM 5% 1/10
		R356	0RJ1000D677	MCR03EZPJ101 100OHM 5% 1/10
		R357	0RJ1000D677	MCR03EZPJ101 100OHM 5% 1/10
		R358	0RJ1000D677	MCR03EZPJ101 100OHM 5% 1/10
		R359	0RJ1000D677	MCR03EZPJ101 100OHM 5% 1/10
		R360	0RJ1003D677	MCR03EZPJ104 100KOHM 5% 1/1
		R361	0RJ1000D677	MCR03EZPJ101 100OHM 5% 1/10
		R362	0RJ1000D677	MCR03EZPJ101 100OHM 5% 1/10
		R371	0RJ5600D677	MCR03EZPJ561 560OHM 5% 1/10
		R372	0RJ0472D677	MCR03EZPJ470 47OHM 5% 1/10W
		R376	0RJ3901D677	MCR03EZPJ392 3.9KOHM 5% 1/1
		R400	0RJ0000D677	MCR03EZPJ000 0OHM 5% 1/10W
		R410	0RJ0622D677	MCR03EZPJ620 62OHM 5% 1/10W
		R411	0RJ2402D677	MCR03EZPJ243 24KOHM 5% 1/10
		R412	0RJ1501D677	MCR03EZPJ152 1.5KOHM 5% 1/1
		R413	0RJ4700D677	MCR03EZPJ471 470OHM 5% 1/10
		R425	0RJ1000D677	MCR03EZPJ101 100OHM 5% 1/10
		R426	0RJ1000D677	MCR03EZPJ101 100OHM 5% 1/10
		R427	0RJ1000D677	MCR03EZPJ101 100OHM 5% 1/10
		R428	0RJ1000D677	MCR03EZPJ101 100OHM 5% 1/10
		R429	0RJ0222D677	MCR03EZPJ220 22OHM 5% 1/10W
		R430	0RJ0222D677	MCR03EZPJ220 22OHM 5% 1/10W
		R431	0RJ0222D677	MCR03EZPJ220 22OHM 5% 1/10W
		R432	0RJ0222D677	MCR03EZPJ220 22OHM 5% 1/10W
		R436	0RJ0000D677	MCR03EZPJ000 0OHM 5% 1/10W
		R437	0RJ0000D677	MCR03EZPJ000 0OHM 5% 1/10W
		R438	0RJ0000D677	MCR03EZPJ000 0OHM 5% 1/10W
		R444	0RJ1001D677	MCR03EZPJ102 1KOHM 5% 1/10W
		R451	0RJ1000D677	MCR03EZPJ101 100OHM 5% 1/10
		R452	0RJ1001D677	MCR03EZPJ102 1KOHM 5% 1/10W
		R453	0RJ1001D677	MCR03EZPJ102 1KOHM 5% 1/10W
		R454	0RJ1001D677	MCR03EZPJ102 1KOHM 5% 1/10W
		R458	0RJ1000D677	MCR03EZPJ101 100OHM 5% 1/10
		R460	0RJ0000D677	MCR03EZPJ000 0OHM 5% 1/10W
		R461	0RJ0000D677	MCR03EZPJ000 0OHM 5% 1/10W
		R462	0RJ2001D677	MCR03EZPJ202 2KOHM 5% 1/10W
		R481	0RJ4701D677	MCR03EZPJ472 4.7KOHM 5% 1/1
		R482	0RJ4701D677	MCR03EZPJ472 4.7KOHM 5% 1/1
		R494	0RJ0000D677	MCR03EZPJ000 0OHM 5% 1/10W
		R516	0RJ0000D677	MCR03EZPJ000 0OHM 5% 1/10W
		R517	0RJ0000D677	MCR03EZPJ000 0OHM 5% 1/10W
		R518	0RJ0000D677	MCR03EZPJ000 0OHM 5% 1/10W
		R520	0RJ1002D677	MCR03EZPJ103 10KOHM 5% 1/10
		R521	0RJ1002D677	MCR03EZPJ103 10KOHM 5% 1/10
		R524	0RJ0000D677	MCR03EZPJ000 0OHM 5% 1/10W
		R525	0RJ0000D677	MCR03EZPJ000 0OHM 5% 1/10W
		R526	0RJ0000D677	MCR03EZPJ000 0OHM 5% 1/10W
		R527	0RJ0000D677	MCR03EZPJ000 0OHM 5% 1/10W
		R536	0RJ0000D677	MCR03EZPJ000 0OHM 5% 1/10W
		R537	0RJ0000D677	MCR03EZPJ000 0OHM 5% 1/10W
		R600	0RJ0000D677	MCR03EZPJ000 0OHM 5% 1/10W
		R601	0RJ0000D677	MCR03EZPJ000 0OHM 5% 1/10W
		R602	0RJ1000D677	MCR03EZPJ101 100OHM 5% 1/10
		R603	0RJ1000D677	MCR03EZPJ101 100OHM 5% 1/10
		R607	0RJ0000D677	MCR03EZPJ000 0OHM 5% 1/10W
		R608	0RJ1000D677	MCR03EZPJ101 100OHM 5% 1/10
		R609	0RJ1000D677	MCR03EZPJ101 100OHM 5% 1/10

DATE: 2006. 03. 30.				
*S	*AL	LOC. NO.	PART NO.	DESCRIPTION / SPECIFICATION
		R619	0RJ4701D677	MCR03EZPJ472 4.7KOHM 5% 1/1
		R621	0RJ1001D677	MCR03EZPJ102 1KOHM 5% 1/10W
		R800	0RJ0000D677	MCR03EZPJ000 0OHM 5% 1/10W
		R810	0RJ0000D677	MCR03EZPJ000 0OHM 5% 1/10W
		R814	0RJ2701D677	MCR03EZPJ272 2.7KOHM 5% 1/1
		R818	0RJ2701D677	MCR03EZPJ272 2.7KOHM 5% 1/1
		R819	0RJ0000D677	MCR03EZPJ000 0OHM 5% 1/10W
		R821	0RJ3301D677	MCR03EZPJ332 3.3KOHM 5% 1/1
		R829	0RJ2001D677	MCR03EZPJ202 2KOHM 5% 1/10W
		R830	0RJ2001D677	MCR03EZPJ202 2KOHM 5% 1/10W
		R833	0RH0202D622	MCR10EZHJ200 20OHM 5% 1/8W
		R835	0RJ0562D677	MCR03EZPJ560 56OHM 5% 1/10W
		R836	0RJ0562D677	MCR03EZPJ560 56OHM 5% 1/10W
		R837	0RH0202D622	MCR10EZHJ200 20OHM 5% 1/8W
		R839	0RJ0562D677	MCR03EZPJ560 56OHM 5% 1/10W
		R840	0RJ0562D677	MCR03EZPJ560 56OHM 5% 1/10W
		R841	0RH0202D622	MCR10EZHJ200 20OHM 5% 1/8W
		R844	0RJ0562D677	MCR03EZPJ560 56OHM 5% 1/10W
		R845	0RH0202D622	MCR10EZHJ200 20OHM 5% 1/8W
		R846	0RH0202D622	MCR10EZHJ200 20OHM 5% 1/8W
		R847	0RH0202D622	MCR10EZHJ200 20OHM 5% 1/8W
		R849	0RJ0562D677	MCR03EZPJ560 56OHM 5% 1/10W
		R852	0RJ0222D677	MCR03EZPJ220 22OHM 5% 1/10W
		R853	0RJ0222D677	MCR03EZPJ220 22OHM 5% 1/10W
		R861	0RJ0222D677	MCR03EZPJ220 22OHM 5% 1/10W
		R862	0RJ0222D677	MCR03EZPJ220 22OHM 5% 1/10W
		R863	0RJ0222D677	MCR03EZPJ220 22OHM 5% 1/10W
		R864	0RJ0222D677	MCR03EZPJ220 22OHM 5% 1/10W
		R867	0RJ1002D677	MCR03EZPJ103 10KOHM 5% 1/10
		R868	0RJ1002D677	MCR03EZPJ103 10KOHM 5% 1/10
		R870	0RJ0222D677	MCR03EZPJ220 22OHM 5% 1/10W
		R871	0RJ0222D677	MCR03EZPJ220 22OHM 5% 1/10W
		R872	0RJ0222D677	MCR03EZPJ220 22OHM 5% 1/10W
		R873	0RJ0222D677	MCR03EZPJ220 22OHM 5% 1/10W
		R874	0RJ0222D677	MCR03EZPJ220 22OHM 5% 1/10W
		R878	0RJ0332D677	MCR03EZPJ330 33OHM 5% 1/10W
		R879	0RJ0332D677	MCR03EZPJ330 33OHM 5% 1/10W
		R880	0RJ0332D677	MCR03EZPJ330 33OHM 5% 1/10W
		R881	0RJ0332D677	MCR03EZPJ330 33OHM 5% 1/10W
		R882	0RJ0332D677	MCR03EZPJ330 33OHM 5% 1/10W
		R883	0RJ0332D677	MCR03EZPJ330 33OHM 5% 1/10W
		R884	0RJ0332D677	MCR03EZPJ330 33OHM 5% 1/10W
		R885	0RJ0332D677	MCR03EZPJ330 33OHM 5% 1/10W
		R889	0RJ1002D677	MCR03EZPJ103 10KOHM 5% 1/10
		R890	0RJ1002D677	MCR03EZPJ103 10KOHM 5% 1/10
		R891	0RJ1002D677	MCR03EZPJ103 10KOHM 5% 1/10
		R892	0RJ1002D677	MCR03EZPJ103 10KOHM 5% 1/10
		R893	0RJ1002D677	MCR03EZPJ103 10KOHM 5% 1/10
		R894	0RJ1002D677	MCR03EZPJ103 10KOHM 5% 1/10
		R905	0RJ0000D677	MCR03EZPJ000 0OHM 5% 1/10W
		R906	0RJ0000D677	MCR03EZPJ000 0OHM 5% 1/10W
		R907	0RJ0000D677	MCR03EZPJ000 0OHM 5% 1/10W
		R909	0RJ0222D677	MCR03EZPJ220 22OHM 5% 1/10W
		R910	0RJ0222D677	MCR03EZPJ220 22OHM 5% 1/10W
		R911	0RJ0000D677	MCR03EZPJ000 0OHM 5% 1/10W
		R912	0RJ0000D677	MCR03EZPJ000 0OHM 5% 1/10W
		R917	0RJ1002D677	MCR03EZPJ103 10KOHM 5% 1/10
		R918	0RJ1002D677	MCR03EZPJ103 10KOHM 5% 1/10
		R921	0RJ0222D677	MCR03EZPJ220 22OHM 5% 1/10W
		R922	0RJ0222D677	MCR03EZPJ220 22OHM 5% 1/10W
		R937	0RJ0222D677	MCR03EZPJ220 22OHM 5% 1/10W
		R938	0RJ0222D677	MCR03EZPJ220 22OHM 5% 1/10W

DATE: 2006. 03. 30.				
*S	*AL	LOC. NO.	PART NO.	DESCRIPTION / SPECIFICATION
		R940	0RJ0222D677	MCR03EZPJ220 22OHM 5% 1/10W
		L126	0RH0000D622	MCR10EZHJ000 0OHM 5% 1/8W 2
		L127	0RH0000D622	MCR10EZHJ000 0OHM 5% 1/8W 2
		L128	0RH0000D622	MCR10EZHJ000 0OHM 5% 1/8W 2
		L1852	0RJ0000D677	MCR03EZPJ000 0OHM 5% 1/10W
		L1854	0RJ0000D677	MCR03EZPJ000 0OHM 5% 1/10W
		L1855	0RJ0000D677	MCR03EZPJ000 0OHM 5% 1/10W
		L1857	0RJ0000D677	MCR03EZPJ000 0OHM 5% 1/10W
		L409	0RJ0000D677	MCR03EZPJ000 0OHM 5% 1/10W
		L410	0RJ0000D677	MCR03EZPJ000 0OHM 5% 1/10W
		L411	0RJ0000D677	MCR03EZPJ000 0OHM 5% 1/10W
		L412	0RJ0000D677	MCR03EZPJ000 0OHM 5% 1/10W
		R1001	0RJ1002D677	MCR03EZPJ103 10KOHM 5% 1/10
		R1008	0RJ1002D677	MCR03EZPJ103 10KOHM 5% 1/10
		R1013	0RJ4701D677	MCR03EZPJ472 4.7KOHM 5% 1/1
		R1102	0RJ1002D677	MCR03EZPJ103 10KOHM 5% 1/10
		R1103	0RJ1002D677	MCR03EZPJ103 10KOHM 5% 1/10
		R1104	0RJ2002D677	MCR03EZPJ202 20KOHM 5% 1/1
		R1213	0RJ0000D677	MCR03EZPJ000 0OHM 5% 1/10W
		R1236	0RJ1001D677	MCR03EZPJ102 10KOHM 5% 1/10W
		R1240	0RJ4702D677	MCR03EZPJ473 47KOHM 5% 1/10
		R1241	0RJ4702D677	MCR03EZPJ473 47KOHM 5% 1/10
		R1250	0RJ1000D677	MCR03EZPJ101 100OHM 5% 1/10
		R1252	0RJ1000D677	MCR03EZPJ101 100OHM 5% 1/10
		R1254	0RJ1000D677	MCR03EZPJ101 100OHM 5% 1/10
		R1255	0RJ1000D677	MCR03EZPJ101 100OHM 5% 1/10
		R1260	0RJ1002D677	MCR03EZPJ103 10KOHM 5% 1/10
		R1262	0RJ1002D677	MCR03EZPJ103 10KOHM 5% 1/10
		R1273	0RJ0000D677	MCR03EZPJ000 0OHM 5% 1/10W
		R1278	0RJ4701D677	MCR03EZPJ472 4.7KOHM 5% 1/1
		R1403	0RJ0221D677	MCR03EZPJ2R2 2200MOHM 5% 1/
		R1404	0RJ0221D677	MCR03EZPJ2R2 2200MOHM 5% 1/
		R1407	0RJ0221D677	MCR03EZPJ2R2 2200MOHM 5% 1/
		R1409	0RJ0221D677	MCR03EZPJ2R2 2200MOHM 5% 1/
		R1417	0RJ0331D677	MCR03EZPJ3R3 3300MOHM 5% 1/
		R1423	0RJ0331D677	MCR03EZPJ3R3 3300MOHM 5% 1/
		R1424	0RJ1002D677	MCR03EZPJ103 10KOHM 5% 1/10
		R1425	0RJ1002D677	MCR03EZPJ103 10KOHM 5% 1/10
		R1426	0RJ1002D677	MCR03EZPJ103 10KOHM 5% 1/10
		R1427	0RJ1002D677	MCR03EZPJ103 10KOHM 5% 1/10
		R1432	0RJ0101D677	MCR03EZPJ1R0 1OHM 5% 1/10W
		R1433	0RJ0101D677	MCR03EZPJ1R0 1OHM 5% 1/10W
		R1434	0RJ0101D677	MCR03EZPJ1R0 1OHM 5% 1/10W
		R1435	0RJ0101D677	MCR03EZPJ1R0 1OHM 5% 1/10W
		R1448	0RJ0000D677	MCR03EZPJ000 0OHM 5% 1/10W
		R1449	0RJ3301D677	MCR03EZPJ332 3.3KOHM 5% 1/1
		R1459	0RJ4701D677	MCR03EZPJ472 4.7KOHM 5% 1/1
		R1470	0RJ4701D677	MCR03EZPJ472 4.7KOHM 5% 1/1
		R168	0RJ0752D677	MCR03EZPJ750 75OHM 5% 1/10W
		R169	0RJ2203D677	MCR03EZPJ224 220KOHM 5% 1/1
		R170	0RJ0752D677	MCR03EZPJ750 75OHM 5% 1/10W
		R171	0RJ2203D677	MCR03EZPJ224 220KOHM 5% 1/1
		R172	0RJ0752D677	MCR03EZPJ750 75OHM 5% 1/10W
		R173	0RJ0752D677	MCR03EZPJ750 75OHM 5% 1/10W
		R180	0RJ2203D677	MCR03EZPJ224 220KOHM 5% 1/1
		R181	0RJ2203D677	MCR03EZPJ224 220KOHM 5% 1/1
		R182	0RJ0752D677	MCR03EZPJ750 75OHM 5% 1/10W
		R183	0RJ0752D677	MCR03EZPJ750 75OHM 5% 1/10W
		R1830	0RJ3301D677	MCR03EZPJ332 3.3KOHM 5% 1/1
		R1831	0RJ1001D677	MCR03EZPJ102 1KOHM 5% 1/10W
		R184	0RJ0752D677	MCR03EZPJ750 75OHM 5% 1/10W
		R1842	0RJ0332D677	MCR03EZPJ330 33OHM 5% 1/10W

DATE: 2006. 03. 30.				
*S	*AL	LOC. NO.	PART NO.	DESCRIPTION / SPECIFICATION
		R1843	0RJ0332D677	MCR03EZPJ330 33OHM 5% 1/10W
		R1844	0RJ0332D677	MCR03EZPJ330 33OHM 5% 1/10W
		R1845	0RJ0332D677	MCR03EZPJ330 33OHM 5% 1/10W
		R1846	0RJ0332D677	MCR03EZPJ330 33OHM 5% 1/10W
		R1847	0RJ0332D677	MCR03EZPJ330 33OHM 5% 1/10W
		R1848	0RJ0332D677	MCR03EZPJ330 33OHM 5% 1/10W
		R1849	0RJ0332D677	MCR03EZPJ330 33OHM 5% 1/10W
		R1850	0RJ0332D677	MCR03EZPJ330 33OHM 5% 1/10W
		R1851	0RJ0332D677	MCR03EZPJ330 33OHM 5% 1/10W
		R1852	0RJ0332D677	MCR03EZPJ330 33OHM 5% 1/10W
		R1853	0RJ0332D677	MCR03EZPJ330 33OHM 5% 1/10W
		R1854	0RJ0332D677	MCR03EZPJ330 33OHM 5% 1/10W
		R1855	0RJ0332D677	MCR03EZPJ330 33OHM 5% 1/10W
		R1856	0RJ0332D677	MCR03EZPJ330 33OHM 5% 1/10W
		R1857	0RJ0332D677	MCR03EZPJ330 33OHM 5% 1/10W
		R186	0RJ1002D677	MCR03EZPJ103 10KOHM 5% 1/10
		R1864	0RJ1002D677	MCR03EZPJ103 10KOHM 5% 1/10
		R1865	0RJ1002D677	MCR03EZPJ103 10KOHM 5% 1/10
		R1868	0RJ1002D677	MCR03EZPJ103 10KOHM 5% 1/10
		R1869	0RJ1002D677	MCR03EZPJ103 10KOHM 5% 1/10
		R1870	0RJ1002D677	MCR03EZPJ103 10KOHM 5% 1/10
		R1873	0RJ1002D677	MCR03EZPJ103 10KOHM 5% 1/10
		R1874	0RJ1002D677	MCR03EZPJ103 10KOHM 5% 1/10
		R1875	0RJ1002D677	MCR03EZPJ103 10KOHM 5% 1/10
		R1878	0RJ1201D677	MCR03EZPJ122 1.2KOHM 5% 1/1
		R1879	0RJ0512D677	MCR03EZPJ510 51OHM 5% 1/10W
		R188	0RJ1001D677	MCR03EZPJ102 1KOHM 5% 1/10W
		R1880	0RJ0222D677	MCR03EZPJ220 22OHM 5% 1/10W
		R1881	0RJ1001D677	MCR03EZPJ102 1KOHM 5% 1/10W
		R189	0RJ1001D677	MCR03EZPJ102 1KOHM 5% 1/10W
		R198	0RJ0822D677	MCR03EZPJ820 82OHM 5% 1/10W
		R199	0RJ0822D677	MCR03EZPJ820 82OHM 5% 1/10W
		R208	0RJ1002D677	MCR03EZPJ103 10KOHM 5% 1/10
		R209	0RJ2201D677	MCR03EZPJ222 2.2KOHM 5% 1/1
		R210	0RJ1002D677	MCR03EZPJ103 10KOHM 5% 1/10
		R2100	0RJ1002D677	MCR03EZPJ103 10KOHM 5% 1/10
		R2101	0RJ0000D677	MCR03EZPJ000 0OHM 5% 1/10W
		R2102	0RJ1002D677	MCR03EZPJ103 10KOHM 5% 1/10
		R2105	0RJ4703D677	MCR03EZPJ474 470KOHM 5% 1/1
		R2106	0RJ4703D677	MCR03EZPJ474 470KOHM 5% 1/1
		R2108	0RJ2203D677	MCR03EZPJ224 220KOHM 5% 1/1
		R2109	0RJ2203D677	MCR03EZPJ224 220KOHM 5% 1/1
		R211	0RJ0222D677	MCR03EZPJ220 22OHM 5% 1/10W
		R2112	0RJ1002D677	MCR03EZPJ103 10KOHM 5% 1/10
		R2113	0RJ1001D677	MCR03EZPJ102 1KOHM 5% 1/10W
		R2114	0RJ1001D677	MCR03EZPJ102 1KOHM 5% 1/10W
		R2115	0RJ2001D677	MCR03EZPJ202 2KOHM 5% 1/10W
		R2116	0RJ2001D677	MCR03EZPJ202 2KOHM 5% 1/10W
		R212	0RJ0102D677	MCR03EZPJ100 10OHM 5% 1/10W
		R213	0RJ1001D677	MCR03EZPJ102 1KOHM 5% 1/10W
		R214	0RJ0000D677	MCR03EZPJ000 0OHM 5% 1/10W
		R215	0RJ3300D677	MCR03EZPJ331 330OHM 5% 1/10
		R216	0RJ3300D677	MCR03EZPJ331 330OHM 5% 1/10
		R217	0RJ4701D677	MCR03EZPJ472 4.7KOHM 5% 1/1
		R218	0RJ4700D677	MCR03EZPJ471 470OHM 5% 1/10
		R219	0RJ0822D677	MCR03EZPJ820 82OHM 5% 1/10W
		R220	0RJ0000D677	MCR03EZPJ000 0OHM 5% 1/10W
		R221	0RJ0000D677	MCR03EZPJ000 0OHM 5% 1/10W
		R222	0RJ1000D677	MCR03EZPJ101 100OHM 5% 1/10
		R223	0RJ1001D677	MCR03EZPJ102 1KOHM 5% 1/10W
		R224	0RJ4701D677	MCR03EZPJ472 4.7KOHM 5% 1/1
		R225	0RJ2000D677	MCR03EZPJ201 200OHM 5% 1/10

DATE: 2006. 03. 30.				
*S	*AL	LOC. NO.	PART NO.	DESCRIPTION / SPECIFICATION
		R227	0RJ2700D677	MCR03EZPJ271 270OHM 5% 1/10
		R228	0RJ2200D677	MCR03EZPJ221 220OHM 5% 1/10
		R229	0RJ1001D677	MCR03EZPJ102 1KOHM 5% 1/10W
		R230	0RJ1800D677	MCR03EZPJ181 180OHM 5% 1/10
		R231	0RJ1500D677	MCR03EZPJ151 150OHM 5% 1/10
		R232	0RJ0000D677	MCR03EZPJ000 0OHM 5% 1/10W
		R233	0RJ0000D677	MCR03EZPJ000 0OHM 5% 1/10W
		R239	0RJ2201D677	MCR03EZPJ222 2.2KOHM 5% 1/1
		R245	0RJ0000D677	MCR03EZPJ000 0OHM 5% 1/10W
		R248	0RJ0000D677	MCR03EZPJ000 0OHM 5% 1/10W
		R2811	0RJ4701D677	MCR03EZPJ472 4.7KOHM 5% 1/1
		R2812	0RJ4701D677	MCR03EZPJ472 4.7KOHM 5% 1/1
		R305	0RJ3300D677	MCR03EZPJ331 330OHM 5% 1/10
		R309	0RJ1000D677	MCR03EZPJ101 100OHM 5% 1/10
		R310	0RJ1000D677	MCR03EZPJ101 100OHM 5% 1/10
		R327	0RJ2200D677	MCR03EZPJ221 220OHM 5% 1/10
		R328	0RJ2200D677	MCR03EZPJ221 220OHM 5% 1/10
		R363	0RJ2200D677	MCR03EZPJ221 220OHM 5% 1/10
		R364	0RJ2200D677	MCR03EZPJ221 220OHM 5% 1/10
		R365	0RJ1503D677	MCR03EZPJ154 150KOHM 5% 1/1
		R366	0RJ0752D677	MCR03EZPJ750 75OHM 5% 1/10W
		R367	0RJ0752D677	MCR03EZPJ750 75OHM 5% 1/10W
		R368	0RJ0752D677	MCR03EZPJ750 75OHM 5% 1/10W
		R369	0RJ4703D677	MCR03EZPJ474 470KOHM 5% 1/1
		R370	0RJ4703D677	MCR03EZPJ474 470KOHM 5% 1/1
		R375	0RJ0000D677	MCR03EZPJ000 0OHM 5% 1/10W
		R406	0RJ0432D677	MCR03EZPJ430 430OHM 5% 1/10W
		R409	0RJ0432D677	MCR03EZPJ430 430OHM 5% 1/10W
		R455	0RJ4701D677	MCR03EZPJ472 4.7KOHM 5% 1/1
		R456	0RJ4701D677	MCR03EZPJ472 4.7KOHM 5% 1/1
		R457	0RJ4701D677	MCR03EZPJ472 4.7KOHM 5% 1/1
		R459	0RJ4701D677	MCR03EZPJ472 4.7KOHM 5% 1/1
		R463	0RJ4703D677	MCR03EZPJ474 470KOHM 5% 1/1
		R464	0RJ2001D677	MCR03EZPJ202 2KOHM 5% 1/10W
		R465	0RJ1501D677	MCR03EZPJ152 1.5KOHM 5% 1/1
		R466	0RJ4703D677	MCR03EZPJ474 470KOHM 5% 1/1
		R467	0RJ1501D677	MCR03EZPJ152 1.5KOHM 5% 1/1
		R469	0RJ0000D677	MCR03EZPJ000 0OHM 5% 1/10W
		R474	0RJ2001D677	MCR03EZPJ202 2KOHM 5% 1/10W
		R475	0RJ2001D677	MCR03EZPJ202 2KOHM 5% 1/10W
		R476	0RJ4703D677	MCR03EZPJ474 470KOHM 5% 1/1
		R477	0RJ4703D677	MCR03EZPJ474 470KOHM 5% 1/1
		R478	0RJ0000D677	MCR03EZPJ000 0OHM 5% 1/10W
		R479	0RJ0000D677	MCR03EZPJ000 0OHM 5% 1/10W
		R484	0RJ0000D677	MCR03EZPJ000 0OHM 5% 1/10W
		R486	0RJ0000D677	MCR03EZPJ000 0OHM 5% 1/10W
		R492	0RJ2001D677	MCR03EZPJ202 2KOHM 5% 1/10W
		R493	0RJ2001D677	MCR03EZPJ202 2KOHM 5% 1/10W
		R500	0RJ2203D677	MCR03EZPJ224 220KOHM 5% 1/1
		R501	0RJ2203D677	MCR03EZPJ224 220KOHM 5% 1/1
		R502	0RJ1001D677	MCR03EZPJ102 1KOHM 5% 1/10W
		R503	0RJ1001D677	MCR03EZPJ102 1KOHM 5% 1/10W
		R504	0RJ0752D677	MCR03EZPJ750 75OHM 5% 1/10W
		R505	0RJ0752D677	MCR03EZPJ750 75OHM 5% 1/10W
		R506	0RJ0752D677	MCR03EZPJ750 75OHM 5% 1/10W
		R507	0RJ4701D677	MCR03EZPJ472 4.7KOHM 5% 1/1
		R508	0RJ4701D677	MCR03EZPJ472 4.7KOHM 5% 1/1
		R509	0RJ0000D677	MCR03EZPJ000 0OHM 5% 1/10W
		R510	0RJ0000D677	MCR03EZPJ000 0OHM 5% 1/10W
		R511	0RJ0000D677	MCR03EZPJ000 0OHM 5% 1/10W
		R512	0RJ0000D677	MCR03EZPJ000 0OHM 5% 1/10W
		R513	0RJ1001D677	MCR03EZPJ102 1KOHM 5% 1/10W

DATE: 2006. 03. 30.				
*S	*AL	LOC. NO.	PART NO.	DESCRIPTION / SPECIFICATION
		R514	0RJ0000D677	MCR03EZPJ000 0OHM 5% 1/10W
		R515	0RJ1001D677	MCR03EZPJ102 1KOHM 5% 1/10W
		R519	0RJ1001D677	MCR03EZPJ102 1KOHM 5% 1/10W
		R522	0RJ1000D677	MCR03EZPJ101 100OHM 5% 1/10
		R523	0RJ1000D677	MCR03EZPJ101 100OHM 5% 1/10
		R531	0RJ0000D677	MCR03EZPJ000 0OHM 5% 1/10W
		R532	0RJ0000D677	MCR03EZPJ000 0OHM 5% 1/10W
		R533	0RJ0000D677	MCR03EZPJ000 0OHM 5% 1/10W
		R534	0RJ4701D677	MCR03EZPJ472 4.7KOHM 5% 1/1
		R540	0RJ0000D677	MCR03EZPJ000 0OHM 5% 1/10W
		R541	0RJ0000D677	MCR03EZPJ000 0OHM 5% 1/10W
		R542	0RJ4700D677	MCR03EZPJ471 470OHM 5% 1/10
		R604	0RJ4701D677	MCR03EZPJ472 4.7KOHM 5% 1/1
		R605	0RJ4700D677	MCR03EZPJ471 470OHM 5% 1/10
		R606	0RJ0000D677	MCR03EZPJ000 0OHM 5% 1/10W
		R809	0RJ1000D677	MCR03EZPJ101 100OHM 5% 1/10
		R834	0RH0202D622	MCR10EZHZJ200 20OHM 5% 1/8W
		R838	0RH0202D622	MCR10EZHZJ200 20OHM 5% 1/8W
		R842	0RH0202D622	MCR10EZHZJ200 20OHM 5% 1/8W
		R851	0RJ0000D677	MCR03EZPJ000 0OHM 5% 1/10W
		R854	0RJ0000D677	MCR03EZPJ000 0OHM 5% 1/10W
		R855	0RJ0000D677	MCR03EZPJ000 0OHM 5% 1/10W
		R857	0RJ0000D677	MCR03EZPJ000 0OHM 5% 1/10W
		R859	0RJ0222D677	MCR03EZPJ220 22OHM 5% 1/10W
		R860	0RJ0222D677	MCR03EZPJ220 22OHM 5% 1/10W
		R865	0RJ0000D677	MCR03EZPJ000 0OHM 5% 1/10W
		R866	0RJ0222D677	MCR03EZPJ220 22OHM 5% 1/10W
		R875	0RJ0000D677	MCR03EZPJ000 0OHM 5% 1/10W
		R876	0RJ0000D677	MCR03EZPJ000 0OHM 5% 1/10W
		R877	0RJ0332D677	MCR03EZPJ330 33OHM 5% 1/10W
		R886	0RJ0332D677	MCR03EZPJ330 33OHM 5% 1/10W
		R887	0RJ0332D677	MCR03EZPJ330 33OHM 5% 1/10W
		R888	0RJ0332D677	MCR03EZPJ330 33OHM 5% 1/10W
		R900	0RJ1002D677	MCR03EZPJ103 10KOHM 5% 1/10
		R904	0RJ0000D677	MCR03EZPJ000 0OHM 5% 1/10W
		R908	0RJ0222D677	MCR03EZPJ220 22OHM 5% 1/10W
		R914	0RJ0000D677	MCR03EZPJ000 0OHM 5% 1/10W
		R915	0RJ0000D677	MCR03EZPJ000 0OHM 5% 1/10W
		R919	0RJ2700D677	MCR03EZPJ271 270OHM 5% 1/10
		R920	0RJ2700D677	MCR03EZPJ271 270OHM 5% 1/10
		R923	0RJ1200D677	MCR03EZPJ121 120OHM 5% 1/10
		R924	0RJ1200D677	MCR03EZPJ121 120OHM 5% 1/10
		R934	0RJ1002D677	MCR03EZPJ103 10KOHM 5% 1/10
		R126	0RJ2203D677	MCR03EZPJ224 220KOHM 5% 1/1
		R140	0RJ1001D677	MCR03EZPJ102 1KOHM 5% 1/10W
		R147	0RJ1001D677	MCR03EZPJ102 1KOHM 5% 1/10W
		R148	0RJ1001D677	MCR03EZPJ102 1KOHM 5% 1/10W
		R163	0RJ2700D677	MCR03EZPJ271 270OHM 5% 1/10
		R167	0RJ0822D677	MCR03EZPJ820 82OHM 5% 1/10W
		R823	0RH0202D622	MCR10EZHZJ200 20OHM 5% 1/8W
		R825	0RH0202D622	MCR10EZHZJ200 20OHM 5% 1/8W
		R827	0RH0202D622	MCR10EZHZJ200 20OHM 5% 1/8W
		R100	0RJ0752D677	MCR03EZPJ750 75OHM 5% 1/10W
		R101	0RJ0752D677	MCR03EZPJ750 75OHM 5% 1/10W
		R102	0RJ0000D677	MCR03EZPJ000 0OHM 5% 1/10W
		R103	0RJ0682D677	MCR03EZPJ680 68OHM 5% 1/10W
		R104	0RJ4702D677	MCR03EZPJ473 47KOHM 5% 1/10
		R105	0RJ0682D677	MCR03EZPJ680 68OHM 5% 1/10W
		R106	0RJ4701D677	MCR03EZPJ472 4.7KOHM 5% 1/1
		R107	0RJ0822D677	MCR03EZPJ820 82OHM 5% 1/10W
		R108	0RJ1002D677	MCR03EZPJ103 10KOHM 5% 1/10
		R109	0RJ3002D677	MCR03EZPJ303 30KOHM 5% 1/10

DATE: 2006. 03. 30.				
*S	*AL	LOC. NO.	PART NO.	DESCRIPTION / SPECIFICATION
		R110	0RJ4702D677	MCR03EZPJ473 47KOHM 5% 1/10
		R111	0RJ0822D677	MCR03EZPJ820 82OHM 5% 1/10W
		R112	0RJ0822D677	MCR03EZPJ820 82OHM 5% 1/10W
		R113	0RJ0822D677	MCR03EZPJ820 82OHM 5% 1/10W
		R114	0RJ0822D677	MCR03EZPJ820 82OHM 5% 1/10W
		R115	0RJ0000D677	MCR03EZPJ000 0OHM 5% 1/10W
		R116	0RJ0822D677	MCR03EZPJ820 82OHM 5% 1/10W
		R117	0RJ2203D677	MCR03EZPJ224 220KOHM 5% 1/1
		R119	0RJ2203D677	MCR03EZPJ224 220KOHM 5% 1/1
		R121	0RJ2203D677	MCR03EZPJ224 220KOHM 5% 1/1
		R123	0RJ2203D677	MCR03EZPJ224 220KOHM 5% 1/1
		R125	0RJ3002D677	MCR03EZPJ303 30KOHM 5% 1/10
		R127	0RJ4703D677	MCR03EZPJ474 470KOHM 5% 1/1
		R128	0RJ0752D677	MCR03EZPJ750 75OHM 5% 1/10W
		R129	0RJ2203D677	MCR03EZPJ224 220KOHM 5% 1/1
		R130	0RJ4703D677	MCR03EZPJ474 470KOHM 5% 1/1
		R131	0RJ2203D677	MCR03EZPJ224 220KOHM 5% 1/1
		R132	0RJ4703D677	MCR03EZPJ474 470KOHM 5% 1/1
		R133	0RJ2203D677	MCR03EZPJ224 220KOHM 5% 1/1
		R134	0RJ4703D677	MCR03EZPJ474 470KOHM 5% 1/1
		R135	0RJ0000D677	MCR03EZPJ000 0OHM 5% 1/10W
		R136	0RJ0752D677	MCR03EZPJ750 75OHM 5% 1/10W
		R137	0RJ0822D677	MCR03EZPJ820 82OHM 5% 1/10W
		R138	0RJ0000D677	MCR03EZPJ000 0OHM 5% 1/10W
		R139	0RJ1001D677	MCR03EZPJ102 1KOHM 5% 1/10W
		R141	0RJ1001D677	MCR03EZPJ102 1KOHM 5% 1/10W
		R142	0RJ1001D677	MCR03EZPJ102 1KOHM 5% 1/10W
		R143	0RJ1001D677	MCR03EZPJ102 1KOHM 5% 1/10W
		R144	0RJ1001D677	MCR03EZPJ102 1KOHM 5% 1/10W
		R149	0RJ0000D677	MCR03EZPJ000 0OHM 5% 1/10W
		R150	0RJ0000D677	MCR03EZPJ000 0OHM 5% 1/10W
		R151	0RJ1502D677	MCR03EZPJ153 15KOHM 5% 1/10
		R152	0RJ4701D677	MCR03EZPJ472 4.7KOHM 5% 1/1
		R157	0RJ2001D677	MCR03EZPJ202 2KOHM 5% 1/10W
		R158	0RJ2001D677	MCR03EZPJ202 2KOHM 5% 1/10W
		R159	0RJ6801D677	MCR03EZPJ682 6.8KOHM 5% 1/1
		R160	0RJ4701D677	MCR03EZPJ472 4.7KOHM 5% 1/1
		R161	0RJ0822D677	MCR03EZPJ820 82OHM 5% 1/10W
		R162	0RJ0822D677	MCR03EZPJ820 82OHM 5% 1/10W
		R164	0RJ2700D677	MCR03EZPJ271 270OHM 5% 1/10
		R166	0RJ0822D677	MCR03EZPJ820 82OHM 5% 1/10W
		R2803	0RJ1002D677	MCR03EZPJ103 10KOHM 5% 1/10
		L1819	0RJ0000D677	MCR03EZPJ000 0OHM 5% 1/10W
		L1820	0RJ0000D677	MCR03EZPJ000 0OHM 5% 1/10W
		L1821	0RJ0000D677	MCR03EZPJ000 0OHM 5% 1/10W
		L1822	0RJ0000D677	MCR03EZPJ000 0OHM 5% 1/10W
		L1823	0RJ0000D677	MCR03EZPJ000 0OHM 5% 1/10W
		R2800	0RJ4701D677	MCR03EZPJ472 4.7KOHM 5% 1/1
		R2801	0RJ4701D677	MCR03EZPJ472 4.7KOHM 5% 1/1
		R2802	0RJ0000D677	MCR03EZPJ000 0OHM 5% 1/10W
		R820	0RJ4701D677	MCR03EZPJ472 4.7KOHM 5% 1/1
		R822	0RJ4701D677	MCR03EZPJ472 4.7KOHM 5% 1/1
		R1022	0RJ1001D677	MCR03EZPJ102 1KOHM 5% 1/10W
		R1023	0RJ1002D677	MCR03EZPJ103 10KOHM 5% 1/10
		R1829	0RJ0000D677	MCR03EZPJ000 0OHM 5% 1/10W
		R1007	0RJ1002D677	MCR03EZPJ103 10KOHM 5% 1/10-37LC2R
		R1007	0RJ4701D677	MCR03EZPJ472 4.7KOHM 5% 1/1-42LC2R
		R1810	0RJ4701D677	"MCR03EZPJ472 4.7KOHM 5% 1/1-37LP2R, LPL
		R1895	0RJ0000D677	"MCR03EZPJ000 0OHM 5% 1/10W-37LC2R, AUO
		R1896	0RJ0000D677	"MCR03EZPJ000 0OHM 5% 1/10W-37LP2R, LPL
		R1897	0RJ0000D677	"MCR03EZPJ000 0OHM 5% 1/10W-37LP2R, LPL
		R856	0RJ1501D677	MCR03EZPJ152 1.5KOHM 5% 1/1-37LC2R