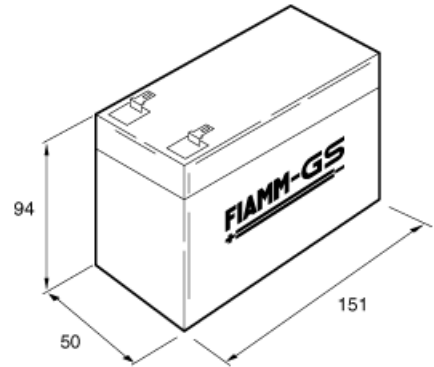


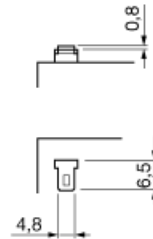
**Performance Specification for battery type FG 11201**

Nominal Voltage	6 Volts	
Nominal Capacity	at 20 hour rate (600 mA to 10,5 Volts) 12,0 Ah	
	at 10 hour rate (1,1 A to 10,5 Volts) 11,0 Ah	
	at 5 hour rate (1,98 A to 10,2 Volts) 9,9 Ah	
	at 1 hour rate (7,0 A to 9,0 Volts) 7,0 Ah	
Dimension (mm)	Length=151, Width=50, Height=94	
Approximate weight	2,1 kg	
Energy Density	103,5 Wh/l	
Specific Energy	34,2 Wh/kg	
Internal Resistance (Fully charged battery)	6,5 mΩ	
Maximum discharge current in 1 minute discharge	72 A	
Maximum discharge current in 5 seconds discharge	180 A	
Recommended charging tension (temperature=20°C)	floating use: 6,75-6,90V cyclic use: 7,2-7,5V	
Thermal compensation factor	floating use: -18mV/°C cyclic use: -30mV/°C	
Maximum charging current	3,0 A	
Terminals	Flat lug type 4,8 mm	
Vibration Test (2000 cycles/minute, 2,55 mm excursion, 2 hours)	No loss in capacity or performance	
Shelf life - % of nominal capacity at 20°C	1 month 97%	
	3 months 91%	
	6 months 83%	
Storage temperature	-20°C to 40°C	
Operative temperature Range	Charge 0°C to 40°C	
	Discharge -20°C to 50°C	
Case material	Acrylonitrile-Butadiene-Styrene	
	Standard Case: According to UL-94 HB	
	Also available according to UL-94 V0	
Life expectancy (Stand-by)	3 to 5 years according to Eurobat standards	

**Battery dimensions (mm)**



**Terminal type (mm)**



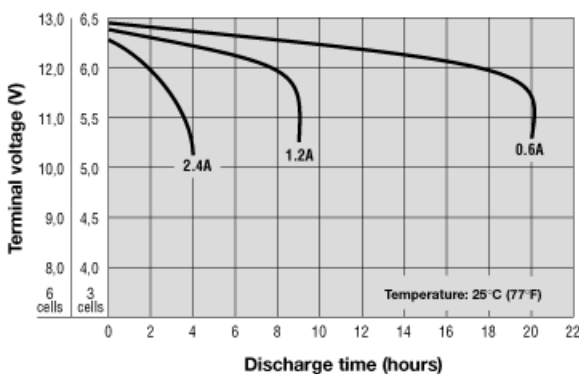
**Constant Power Discharge Table (Watt)**

Time	5'	10'	15'	20'	30'	45'	1h	2h	3h	5h	10h	20h
1,8V/Cell	143,3	109,0	89,0	75,8	59,2	45,1	36,7	21,6	15,5	10,1	5,5	2,9
1,75V/Cell	154,5	115,0	93,0	78,7	61,0	46,2	37,5	21,9	15,7	10,2	5,5	3,0
1,7V/Cell	166,7	121,3	97,1	81,7	62,8	47,3	38,3	22,2	15,9	10,3	5,6	3,0
1,65V/Cell	173,0	124,6	99,3	83,2	63,7	47,8	38,6	22,3	15,9	10,3	5,6	3,0
1,6V/Cell	179,5	128,0	101,4	84,8	64,6	48,3	38,9	22,4	16,0	10,3	5,6	3,0

**Constant Current Discharge Table (Ampere)**

Time	5'	10'	15'	20'	30'	45'	1h	2h	3h	5h	10h	20h
1,8V/Cell	39	27	20	16,8	12,5	9,2	7,3	4,1	2,9	1,86	1,01	0,60
1,75V/Cell	42	28	21	17,5	12,9	9,4	7,5	4,2	2,9	1,88	1,02	0,61
1,7V/Cell	45	29	22	18,2	13,3	9,7	7,6	4,2	3,0	1,89	1,03	0,64
1,65V/Cell	47	30	23	18,3	13,4	9,7	7,7	4,2	3,0	1,90	1,04	0,64
1,6V/Cell	48	31	23	18,5	13,5	9,7	7,7	4,3	3,0	1,92	1,04	0,64

**Discharge time vs. discharge current**



**Discharge time vs. discharge current**

