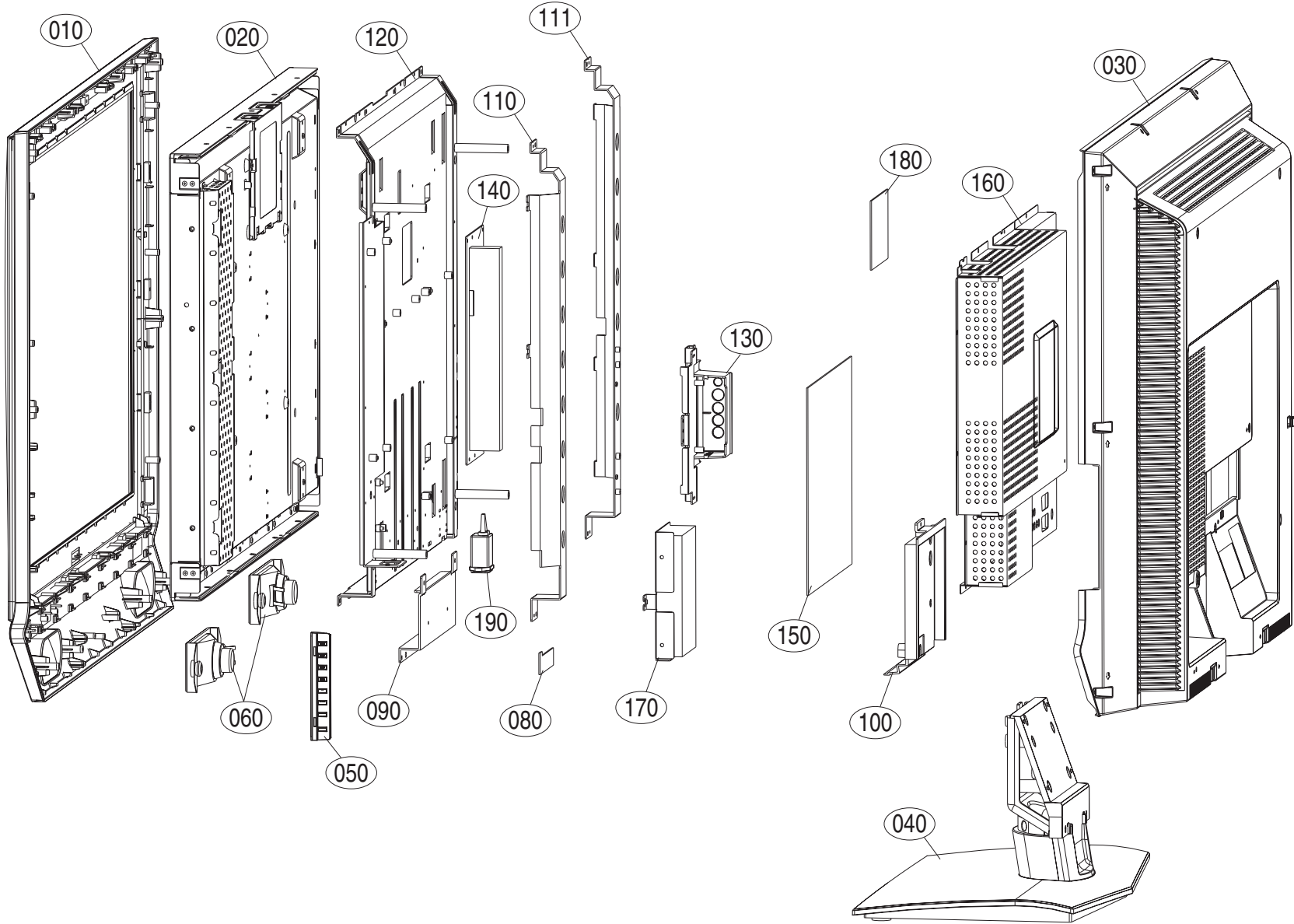







EXPLODED VIEW



EXPLODED VIEW PARTS LIST

* Note: Safety mark 

No.	PART NO.	DESCRIPTION
010	 ACQ30231410	Cover Assembly 37LC2RR-ZL LP61A 37" 37LC2RR-ZL
	ACQ30231411	Cover Assembly 37LC2RR-ZL LP61A 37" 37LC2RR-ZL
020	 6304FLP360A	LCD,Panel-TFT LC370WX1-SL11 37INCH 1365X768 500CD COLOR 72%
030	 3809900164M	Cover Assembly 37LC2RR-ZL LP62A 37" LGEMA PHANTOM BACK COVER ASSY
	3809900164R	Cover Assembly 37LC2RR MF056M 37" 37LC2RR (SET)
	3809900164V	Cover Assembly 37LC2RR-ZL MF056M 37" 37LC2RR-ZL(C/SKD from gumi)
040	 3043900032K	Base Assembly BASE 37LC2 LP61A STAND ASSY
	3043900032Q	Base Assembly BASE 37LC2 LP61A STAND ASSY
	3043900032S	Base Assembly STAND 37LC2RR MF056L LGENT Phantom(noble black)
050	68719ST400B	PCB Assembly,Sub SUB T.T MF056L 42LC2RR-ZL CONTROL TOTAL
	68719ST400K	PCB Assembly,Su SUB T.T MF056L 42LC2RR-ZL CONTROL TOTAL SKD
060	EAB30829201	Speaker,Woofer g1560102 ND 15W 8OHM 82DB 100HZ 193 X 57 X 50 LUG MACOM
080	68719ST500C	PCB Assembly,Sub SUB T.T MF056L 37LC2RR-ZL A-PVR IR Assy
090	49509K0222A	Plate PRESS SBHG T2.0 SUPPORT STAND 37LC2
100	35509K0217A	Cover MOLD HIPS 37LC2 STAND MID INNER
	35509K0217B	Cover MOLD HIPS 37LC2R-ZH HIPS 405AF LGEMA PHANTOM
110	49509K0023C	Plate PRESS SBHG T1.6 SIDE SUPPORTER RIGHT FOR 37LC2
	49509K0023D	Plate SIDE SUPPORTER RIGHT FOR 37LC2(C/SKD)
111	49509K0024E	Plate PRESS SBHG T1.6 SIDE SUPPORTER LEFT FOR 37LC2
	49509K0024F	Plate PRESS SBHG T1.6 SIDE SUPPORTER LEFT FOR 37LC2(C/SKD)
120	4950TKA361X	Plate PRESS SBHG 1.6 FRAME SBHG-A 37LC2RR-ZL
130	68719ST300C	PCB Assembly,Sub SUB T.T MF056L 37LC2RR-ZL SIDE TOTAL
	68719ST300K	PCB Assembly,Sub SUB T.T MF056L 37LC2RR-ZL SIDE TOTAL SKD
140	 6709900016D	SMPS,AC/DC LGLP2637HEP 90VTO264V 215W 47TO63HZ UL/CSA/SEMKO YY / AT
150	33139L3023C	Main Total Assembly 37LC2RR-ZL BRAND MF-056M
160	MGJ32240401	Plate,Shield PRESS EGI 0.8t SHIELD EGI 37LC2RR-ZL for DVR model
	MJH30277205	Supporter PRESS SBHG1 0.8 GUIDE SBHG 37LC2RR DVR
	MJH30277206	Supporter PRESS SBHG1 0.8 GUIDE SBHG 37LC2RR DVR ASSEMBLY FOR C/SKD
170	31419SN200A	Chassis Assembly SUB MF056L 37LB1RR-ZL HDD ASSY
	31419SN200C	Chassis Assembly SUB MF056L 37LC2RR-ZL C/SKD HDD ASSY
180	68719MMV03A	Hand Insert PCB Assembly,Main MAIN2 M.I MF056L 42PC1RR-ZL AEULLHX -
190	6200J000151	Filter,AC Line ID-N06AESL6 1.3mH 250VAC 6A 0.1uF 1000pF UL/CSA/TUV

REPLACEMENT PARTS LIST

For Capacitor & Resistors, the characters at 2nd and 3rd digit in the P/No. means as follows;	CC, CX, CK, CN, CH : Ceramic CQ : Polyester CE : Electrolytic CF : Fixed Film	RD : Carbon Film RS : Metal Oxide Film RN : Metal Film RH : CHIP, Metal Glazed(Chip) RR : Drawing
---	--	---

DATE: 2006. 09. 13.				
*S	*AL	LOC. NO.	PART NO.	DESCRIPTION / SPECIFICATION
MAIN BOARD				
CAPACITOR				
		C100	0CH5010K116	0805N1R0D500LT 1pF 0.5PF 50V
		C1000	0CE477WF6DC	MVK10TP16VC470M 470uF 20% 16
		C1001	0CK104CK56A	0603B104K500CT 100nF 10% 50V
		C1002	0CK474CH94A	0603F474Z250CT 470nF -20TO+8
		C1003	0CK474CH94A	0603F474Z250CT 470nF -20TO+8
		C1004	0CK103CK51A	0603B103K500CT 10nF 10% 50V
		C1005	0CE477WF6DC	MVK10TP16VC470M 470uF 20% 16
		C1006	0CK104CK56A	0603B104K500CT 100nF 10% 50V
		C1007	0CE107WF6DC	MVK6.3TP16VC100M 100uF 20% 1
		C1008	0CK104CK56A	0603B104K500CT 100nF 10% 50V
		C1009	0CE107WF6DC	MVK6.3TP16VC100M 100uF 20% 1
		C101	0CC050CK11A	C1608C0G1H050DT 5pF 0.5PF 50
		C1010	0CE107WF6DC	MVK6.3TP16VC100M 100uF 20% 1
		C1011	0CK104CK56A	0603B104K500CT 100nF 10% 50V
		C1012	0CK104CK56A	0603B104K500CT 100nF 10% 50V
		C1013	0CK104CK56A	0603B104K500CT 100nF 10% 50V
		C1014	0CK104CK56A	0603B104K500CT 100nF 10% 50V
		C1015	0CK103CK51A	0603B103K500CT 10nF 10% 50V
		C1016	0CK103CK51A	0603B103K500CT 10nF 10% 50V
		C1017	0CK103CK51A	0603B103K500CT 10nF 10% 50V
		C1018	0CK104CK56A	0603B104K500CT 100nF 10% 50V
		C1019	0CE476WF6DC	MVK6.3TP16VC47M 47uF 20% 16V
		C102	0CH5010K116	0805N1R0D500LT 1pF 0.5PF 50V
		C1023	0CK104CK56A	0603B104K500CT 100nF 10% 50V
		C1024	0CK104CK56A	0603B104K500CT 100nF 10% 50V
		C1025	0CK103CK51A	0603B103K500CT 10nF 10% 50V
		C1026	0CE107WF6DC	MVK6.3TP16VC100M 100uF 20% 1
		C1029	0CK104CK56A	0603B104K500CT 100nF 10% 50V
		C1030	0CC050CK11A	C1608C0G1H050DT 5pF 0.5PF 50
		C1033	0CE476WF6DC	MVK6.3TP16VC47M 47uF 20% 16V
		C1035	0CK104CK56A	0603B104K500CT 100nF 10% 50V
		C104	0CC050CK11A	C1608C0G1H050DT 5pF 0.5PF 50
		C1040	0CK103CK51A	0603B103K500CT 10nF 10% 50V
		C1043	0CE476WF6DC	MVK6.3TP16VC47M 47uF 20% 16V
		C1044	0CK104CK56A	0603B104K500CT 100nF 10% 50V
		C1045	0CK104CK56A	0603B104K500CT 100nF 10% 50V
		C1046	0CE477WF6DC	MVK10TP16VC470M 470uF 20% 16
		C1047	0CE476WF6DC	MVK6.3TP16VC47M 47uF 20% 16V
		C1048	0CK104CK56A	0603B104K500CT 100nF 10% 50V
		C1049	0CK104CK56A	0603B104K500CT 100nF 10% 50V
		C105	0CC050CK11A	C1608C0G1H050DT 5pF 0.5PF 50
		C1050	0CE477WF6DC	MVK10TP16VC470M 470uF 20% 16
		C1051	0CE477WF6DC	MVK10TP16VC470M 470uF 20% 16
		C1052	0CK104CK56A	0603B104K500CT 100nF 10% 50V
		C1053	0CK103CK51A	0603B103K500CT 10nF 10% 50V
		C1054	0CK104CK56A	0603B104K500CT 100nF 10% 50V
		C1055	0CK104CK56A	0603B104K500CT 100nF 10% 50V
		C1056	0CK104CK56A	0603B104K500CT 100nF 10% 50V
		C1057	0CK104CK56A	0603B104K500CT 100nF 10% 50V
		C1058	0CK104CK56A	0603B104K500CT 100nF 10% 50V
		C1059	0CK103CK51A	0603B103K500CT 10nF 10% 50V
		C106	0CC050CK11A	C1608C0G1H050DT 5pF 0.5PF 50
		C1060	0CK103CK51A	0603B103K500CT 10nF 10% 50V
		C1061	0CK103CK51A	0603B103K500CT 10nF 10% 50V
		C1062	0CK103CK51A	0603B103K500CT 10nF 10% 50V
		C1063	0CK103CK51A	0603B103K500CT 10nF 10% 50V
		C1064	0CE476WF6DC	MVK6.3TP16VC47M 47uF 20% 16V
		C1065	0CE476WF6DC	MVK6.3TP16VC47M 47uF 20% 16V
		C1066	0CE476WF6DC	MVK6.3TP16VC47M 47uF 20% 16V
		C1067	0CE476WF6DC	MVK6.3TP16VC47M 47uF 20% 16V
		C1068	0CE476WF6DC	MVK6.3TP16VC47M 47uF 20% 16V
		C1069	0CE476WF6DC	MVK6.3TP16VC47M 47uF 20% 16V

DATE: 2006. 09. 13.				
*S	*AL	LOC. NO.	PART NO.	DESCRIPTION / SPECIFICATION
		C107	0CC050CK11A	C1608C0G1H050DT 5pF 0.5PF 50
		C1070	0CK104CK56A	0603B104K500CT 100nF 10% 50V
		C1071	0CE477WF6DC	MVK10TP16VC470M 470uF 20% 16
		C1072	0CK104CK56A	0603B104K500CT 100nF 10% 50V
		C1073	0CE477WF6DC	MVK10TP16VC470M 470uF 20% 16
		C1074	0CK104CK56A	0603B104K500CT 100nF 10% 50V
		C1075	0CK104CK56A	0603B104K500CT 100nF 10% 50V
		C1076	0CK104CK56A	0603B104K500CT 100nF 10% 50V
		C1077	0CK104CK56A	0603B104K500CT 100nF 10% 50V
		C1078	0CK103CK51A	0603B103K500CT 10nF 10% 50V
		C1079	0CK103CK51A	0603B103K500CT 10nF 10% 50V
		C108	0CE227SF6DC	MVG6.3TP16VC220M 220uF 20% 1
		C1080	0CK103CK51A	0603B103K500CT 10nF 10% 50V
		C1081	0CK103CK51A	0603B103K500CT 10nF 10% 50V
		C1082	0CE476WF6DC	MVK6.3TP16VC47M 47uF 20% 16V
		C1083	0CE476WF6DC	MVK6.3TP16VC47M 47uF 20% 16V
		C1084	0CE476WF6DC	MVK6.3TP16VC47M 47uF 20% 16V
		C1085	0CE476WF6DC	MVK6.3TP16VC47M 47uF 20% 16V
		C1086	0CK104CK56A	0603B104K500CT 100nF 10% 50V
		C1087	0CE477WF6DC	MVK10TP16VC470M 470uF 20% 16
		C1088	0CK104CK56A	0603B104K500CT 100nF 10% 50V
		C1089	0CK104CK56A	0603B104K500CT 100nF 10% 50V
		C109	0CK103CK56A	0603B103K500CT 10nF 10% 50V
		C1090	0CK104CK56A	0603B104K500CT 100nF 10% 50V
		C1091	0CK104CK56A	0603B104K500CT 100nF 10% 50V
		C1092	0CK104CK56A	0603B104K500CT 100nF 10% 50V
		C1093	0CK103CK51A	0603B103K500CT 10nF 10% 50V
		C1094	0CK103CK51A	0603B103K500CT 10nF 10% 50V
		C1095	0CK103CK51A	0603B103K500CT 10nF 10% 50V
		C1096	0CK103CK51A	0603B103K500CT 10nF 10% 50V
		C1097	0CK103CK51A	0603B103K500CT 10nF 10% 50V
		C1098	0CE476WF6DC	MVK6.3TP16VC47M 47uF 20% 16V
		C1099	0CE476WF6DC	MVK6.3TP16VC47M 47uF 20% 16V
		C110	0CK102CK56A	0603B102K500CT 1nF 10% 50V X
		C1100	0CK104CK56A	0603B104K500CT 100nF 10% 50V
		C1101	0CK103CK51A	0603B103K500CT 10nF 10% 50V
		C1104	0CK103CK51A	0603B103K500CT 10nF 10% 50V
		C1105	0CE476SF6DC	VMV476M016S0ANC010 47uF 20%
		C1106	0CK104CK56A	0603B104K500CT 100nF 10% 50V
		C1107	0CE107WF6DC	MVK6.3TP16VC100M 100uF 20% 1
		C1108	0CE107WF6DC	MVK6.3TP16VC100M 100uF 20% 1
		C1109	0CK104CK56A	0603B104K500CT 100nF 10% 50V
		C111	0CK103CK56A	0603B103K500CT 10nF 10% 50V
		C1110	0CE477WF6DC	MVK10TP16VC470M 470uF 20% 16
		C1111	0CK104CK56A	0603B104K500CT 100nF 10% 50V
		C1112	0CK104CK56A	0603B104K500CT 100nF 10% 50V
		C1113	0CK104CK56A	0603B104K500CT 100nF 10% 50V
		C1114	0CK104CK56A	0603B104K500CT 100nF 10% 50V
		C1115	0CE4772J618	KMF5.0TP35VB470M 470uF 20% 3
		C1116	0CE477WF6DC	MVK10TP16VC470M 470uF 20% 16
		C1117	0CE227WF6DC	MVK8.0TP16VC220M 220uF 20% 1
		C1118	0CE477WF6DC	MVK10TP16VC470M 470uF 20% 16
		C1119	0CE4772J618	KMF5.0TP35VB470M 470uF 20% 3
		C112	0CK102CK56A	0603B102K500CT 1nF 10% 50V X
		C1120	0CE227WF6DC	MVK8.0TP16VC220M 220uF 20% 1
		C1121	0CK104CK56A	0603B104K500CT 100nF 10% 50V
		C1122	0CK104CK56A	0603B104K500CT 100nF 10% 50V
		C1123	0CK104CK56A	0603B104K500CT 100nF 10% 50V
		C1124	0CK104CK56A	0603B104K500CT 100nF 10% 50V
		C1125	0CK104CK56A	0603B104K500CT 100nF 10% 50V
		C1126	0CE477WF6DC	MVK10TP16VC470M 470uF 20% 16
		C1127	0CK104CK56A	0603B104K500CT 100nF 10% 50V
		C1128	0CK104CK56A	0603B104K500CT 100nF 10% 50V
		C1129	0CK104CK56A	0603B104K500CT 100nF 10% 50V
		C113	0CK103CK56A	0603B103K500CT 10nF 10% 50V

DATE: 2006. 09. 13.				
*S	*AL	LOC. NO.	PART NO.	DESCRIPTION / SPECIFICATION
		C1130	0CK104CK56A	0603B104K500CT 100nF 10% 50V
		C1131	0CK103CK51A	0603B103K500CT 10nF 10% 50V
		C1132	0CK103CK51A	0603B103K500CT 10nF 10% 50V
		C1133	0CK103CK51A	0603B103K500CT 10nF 10% 50V
		C1134	0CK103CK51A	0603B103K500CT 10nF 10% 50V
		C1135	0CE107WF6DC	MVK6.3TP16VC100M 100uF 20% 1
		C1136	0CE107WF6DC	MVK6.3TP16VC100M 100uF 20% 1
		C1137	0CE107WF6DC	MVK6.3TP16VC100M 100uF 20% 1
		C1138	0CE107WF6DC	MVK6.3TP16VC100M 100uF 20% 1
		C1139	0CK104CK56A	0603B104K500CT 100nF 10% 50V
		C114	0CK102CK56A	0603B102K500CT 1nF 10% 50V X
		C1140	0CK104CK56A	0603B104K500CT 100nF 10% 50V
		C1141	0CK104CK56A	0603B104K500CT 100nF 10% 50V
		C1142	0CK104CK56A	0603B104K500CT 100nF 10% 50V
		C1143	0CK104CK56A	0603B104K500CT 100nF 10% 50V
		C1144	0CK103CK51A	0603B103K500CT 10nF 10% 50V
		C1145	0CK103CK51A	0603B103K500CT 10nF 10% 50V
		C1146	0CK103CK51A	0603B103K500CT 10nF 10% 50V
		C1147	0CK103CK51A	0603B103K500CT 10nF 10% 50V
		C1148	0CE476SF6DC	VMV476M016S0ANCO10 47uF 20%
		C1149	0CE107WF6DC	MVK6.3TP16VC100M 100uF 20% 1
		C115	0CK103CK56A	0603B103K500CT 10nF 10% 50V
		C1150	0CE107WF6DC	MVK6.3TP16VC100M 100uF 20% 1
		C1151	0CE107WF6DC	MVK6.3TP16VC100M 100uF 20% 1
		C1153	0CK104CK56A	0603B104K500CT 100nF 10% 50V
		C1154	0CE476SF6DC	VMV476M016S0ANCO10 47uF 20%
		C1155	0CK104CK56A	0603B104K500CT 100nF 10% 50V
		C1157	0CK103CK51A	0603B103K500CT 10nF 10% 50V
		C1159	0CE476WF6DC	MVK6.3TP16VC47M 47uF 20% 16V
		C116	0CK102CK56A	0603B102K500CT 1nF 10% 50V X
		C1161	0CK104CK56A	0603B104K500CT 100nF 10% 50V
		C1162	0CE107WF6DC	MVK6.3TP16VC100M 100uF 20% 1
		C1163	0CK104CK56A	0603B104K500CT 100nF 10% 50V
		C1164	0CK104CK56A	0603B104K500CT 100nF 10% 50V
		C1165	0CE107WF6DC	MVK6.3TP16VC100M 100uF 20% 1
		C1166	0CE107WF6DC	MVK6.3TP16VC100M 100uF 20% 1
		C1167	0CK104CK56A	0603B104K500CT 100nF 10% 50V
		C1168	0CK104CK56A	0603B104K500CT 100nF 10% 50V
		C1169	0CK104CK56A	0603B104K500CT 100nF 10% 50V
		C117	0CE227SF6DC	MVG6.3TP16VC220M 220uF 20% 1
		C1170	0CK104CK56A	0603B104K500CT 100nF 10% 50V
		C1171	0CK104CK56A	0603B104K500CT 100nF 10% 50V
		C1172	0CK104CK56A	0603B104K500CT 100nF 10% 50V
		C1173	0CK104CK56A	0603B104K500CT 100nF 10% 50V
		C1174	0CK104CK56A	0603B104K500CT 100nF 10% 50V
		C1175	0CK104CK56A	0603B104K500CT 100nF 10% 50V
		C1176	0CK103CK51A	0603B103K500CT 10nF 10% 50V
		C1177	0CK103CK51A	0603B103K500CT 10nF 10% 50V
		C1178	0CK103CK51A	0603B103K500CT 10nF 10% 50V
		C1179	0CK103CK51A	0603B103K500CT 10nF 10% 50V
		C118	0CE106SH6DC	VMV106M025S0ANB010 10uF 20%
		C1180	0CK103CK51A	0603B103K500CT 10nF 10% 50V
		C1181	0CK103CK51A	0603B103K500CT 10nF 10% 50V
		C1182	0CK103CK51A	0603B103K500CT 10nF 10% 50V
		C1183	0CK103CK51A	0603B103K500CT 10nF 10% 50V
		C1184	0CK103CK51A	0603B103K500CT 10nF 10% 50V
		C1185	0CE476SF6DC	VMV476M016S0ANCO10 47uF 20%
		C1186	0CE476SF6DC	VMV476M016S0ANCO10 47uF 20%
		C1187	0CE476SF6DC	VMV476M016S0ANCO10 47uF 20%
		C1188	0CE107WF6DC	MVK6.3TP16VC100M 100uF 20% 1
		C1189	0CE107WF6DC	MVK6.3TP16VC100M 100uF 20% 1
		C119	0CE106SH6DC	VMV106M025S0ANB010 10uF 20%
		C1190	0CE107WF6DC	MVK6.3TP16VC100M 100uF 20% 1
		C1191	0CE107WF6DC	MVK6.3TP16VC100M 100uF 20% 1
		C1192	0CE107WF6DC	MVK6.3TP16VC100M 100uF 20% 1
		C1193	0CE107WF6DC	MVK6.3TP16VC100M 100uF 20% 1
		C1194	0CE477WF6DC	MVK10TP16VC470M 470uF 20% 16
		C1195	0CE107WF6DC	MVK6.3TP16VC100M 100uF 20% 1
		C1196	0CK104CK56A	0603B104K500CT 100nF 10% 50V
		C1197	0CK104CK56A	0603B104K500CT 100nF 10% 50V
		C1198	0CK103CK51A	0603B103K500CT 10nF 10% 50V
		C1199	0CE107WF6DC	MVK6.3TP16VC100M 100uF 20% 1
		C120	0CE106SH6DC	VMV106M025S0ANB010 10uF 20%
		C1200	0CE106SH6DC	VMV106M025S0ANB010 10uF 20%

DATE: 2006. 09. 13.				
*S	*AL	LOC. NO.	PART NO.	DESCRIPTION / SPECIFICATION
		C1201	0CE106SH6DC	VMV106M025S0ANB010 10uF 20%
		C1202	0CK104CK56A	0603B104K500CT 100nF 10% 50V
		C1203	0CK104CK56A	0603B104K500CT 100nF 10% 50V
		C1204	0CK104CK56A	0603B104K500CT 100nF 10% 50V
		C1205	0CC102CK41A	C1608C0G1H102JT 1nF 5% 50V C
		C1206	0CK102CK56A	0603B102K500CT 1nF 10% 50V X
		C1207	0CK102CK56A	0603B102K500CT 1nF 10% 50V X
		C1208	0CK102CK56A	0603B102K500CT 1nF 10% 50V X
		C1209	0CK104CK56A	0603B104K500CT 100nF 10% 50V
		C121	0CE106SH6DC	VMV106M025S0ANB010 10uF 20%
		C1210	0CK102CK56A	0603B102K500CT 1nF 10% 50V X
		C1211	0CK102CK56A	0603B102K500CT 1nF 10% 50V X
		C1212	0CK102CK56A	0603B102K500CT 1nF 10% 50V X
		C1213	0CK104CK56A	0603B104K500CT 100nF 10% 50V
		C1214	0CK104CK56A	0603B104K500CT 100nF 10% 50V
		C1215	0CK104CK56A	0603B104K500CT 100nF 10% 50V
		C1216	0CK104CK56A	0603B104K500CT 100nF 10% 50V
		C1217	0CK102CK56A	0603B102K500CT 1nF 10% 50V X
		C1218	0CK102CK56A	0603B102K500CT 1nF 10% 50V X
		C1219	0CK102CK56A	0603B102K500CT 1nF 10% 50V X
		C122	0CE476SF6DC	VMV476M016S0ANCO10 47uF 20%
		C1220	0CK102CK56A	0603B102K500CT 1nF 10% 50V X
		C1221	0CC180CK41A	C1608C0G1H180JT 18pF 5% 50V
		C1222	0CK102CK56A	0603B102K500CT 1nF 10% 50V X
		C1223	0CC180CK41A	C1608C0G1H180JT 18pF 5% 50V
		C1224	0CK102CK56A	0603B102K500CT 1nF 10% 50V X
		C1225	0CE106SH6DC	VMV106M025S0ANB010 10uF 20%
		C1226	0CK103CK56A	0603B103K500CT 10nF 10% 50V
		C1227	0CK103CK56A	0603B103K500CT 10nF 10% 50V
		C1228	0CK104CK56A	0603B104K500CT 100nF 10% 50V
		C1229	0CK104CK56A	0603B104K500CT 100nF 10% 50V
		C123	0CE476SF6DC	VMV476M016S0ANCO10 47uF 20%
		C1230	0CK105CF94A	0603F105Z160CT 1uF -20TO+80%
		C1231	0CK105CF94A	0603F105Z160CT 1uF -20TO+80%
		C1232	0CK104CK56A	0603B104K500CT 100nF 10% 50V
		C1233	0CK104CK56A	0603B104K500CT 100nF 10% 50V
		C1234	0CK104CK56A	0603B104K500CT 100nF 10% 50V
		C1235	0CK104CK56A	0603B104K500CT 100nF 10% 50V
		C1236	0CK102CK56A	0603B102K500CT 1nF 10% 50V X
		C1237	0CK102CK56A	0603B102K500CT 1nF 10% 50V X
		C1238	0CK102CK56A	0603B102K500CT 1nF 10% 50V X
		C1239	0CK102CK56A	0603B102K500CT 1nF 10% 50V X
		C124	0CE476SF6DC	VMV476M016S0ANCO10 47uF 20%
		C1240	0CK102CK56A	0603B102K500CT 1nF 10% 50V X
		C1241	0CK102CK56A	0603B102K500CT 1nF 10% 50V X
		C1242	0CK102CK56A	0603B102K500CT 1nF 10% 50V X
		C1243	0CK102CK56A	0603B102K500CT 1nF 10% 50V X
		C1244	0CK102CK56A	0603B102K500CT 1nF 10% 50V X
		C1245	0CE106SH6DC	VMV106M025S0ANB010 10uF 20%
		C1246	0CK104CK56A	0603B104K500CT 100nF 10% 50V
		C1247	0CE476SF6DC	VMV476M016S0ANCO10 47uF 20%
		C125	0CE476XF6DC	MVK6.3TP16VCB47M 47uF 20% 1
		C1253	0CC120CK41A	C1608C0G1H120JT 12pF 5% 50V
		C1254	0CC120CK41A	C1608C0G1H120JT 12pF 5% 50V
		C1256	0CK104CK56A	0603B104K500CT 100nF 10% 50V
		C1257	0CK104CK56A	0603B104K500CT 100nF 10% 50V
		C1258	0CK104CK56A	0603B104K500CT 100nF 10% 50V
		C129	0CE227SF6DC	MVG6.3TP16VC220M 220uF 20% 1
		C130	0CE227SF6DC	MVG6.3TP16VC220M 220uF 20% 1
		C131	0CE476SF6DC	VMV476M016S0ANCO10 47uF 20%
		C132	0CK103CK56A	0603B103K500CT 10nF 10% 50V
		C133	0CK104CK56A	0603B104K500CT 100nF 10% 50V
		C134	0CK104CK56A	0603B104K500CT 100nF 10% 50V
		C135	0CE476SF6DC	VMV476M016S0ANCO10 47uF 20%
		C136	0CK104CK56A	0603B104K500CT 100nF 10% 50V
		C137	0CE476XF6DC	MVK6.3TP16VCB47M 47uF 20% 1
		C138	0CK104CK56A	0603B104K500CT 100nF 10% 50V
		C140	0CK103CK56A	0603B103K500CT 10nF 10% 50V
		C1404	0CK104CK56A	0603B104K500CT 100nF 10% 50V
		C1412	0CK682CK51A	C1608Y5P1H682KT 6.8nF 10% 50
		C1413	0CK682CK51A	C1608Y5P1H682KT 6.8nF 10% 50
		C1414	0CE475SK6DC	VMV475M050S0ANB010 4.7uF 20%
		C1415	0CE475SK6DC	VMV475M050S0ANB010 4.7uF 20%
		C1431	0CK471CK56A	C1608X7R1H471KT 470pF 10% 50

DATE: 2006. 09. 13.			
*S	*AL	LOC. NO.	PART NO. DESCRIPTION / SPECIFICATION
		C1432	0CK471CK56A C1608X7R1H471KT 470pF 10% 50
		C144	0CK103CK56A 0603B103K500CT 10nF 10% 50V
		C1442	0CC102CK41A C1608C0G1H102JT 1nF 5% 50V C
		C1443	0CC102CK41A C1608C0G1H102JT 1nF 5% 50V C
		C1444	0CC102CK41A C1608C0G1H102JT 1nF 5% 50V C
		C1445	0CC102CK41A C1608C0G1H102JT 1nF 5% 50V C
		C1446	0CC102CK41A C1608C0G1H102JT 1nF 5% 50V C
		C1447	0CC102CK41A C1608C0G1H102JT 1nF 5% 50V C
		C1448	0CK474EK66A C3216X7R1H474MT 470nF 20% 50
		C1449	0CK474EK66A C3216X7R1H474MT 470nF 20% 50
		C145	0CK104CK56A 0603B104K500CT 100nF 10% 50V
		C1450	0CK104CK56A 0603B104K500CT 100nF 10% 50V
		C1451	0CK104CK56A 0603B104K500CT 100nF 10% 50V
		C1452	0CK104CK56A 0603B104K500CT 100nF 10% 50V
		C1453	0CK104CK56A 0603B104K500CT 100nF 10% 50V
		C1454	0CK104CK56A 0603B104K500CT 100nF 10% 50V
		C1455	0CK104CK56A 0603B104K500CT 100nF 10% 50V
		C1456	0CK104CK56A 0603B104K500CT 100nF 10% 50V
		C1457	0CK104CK56A 0603B104K500CT 100nF 10% 50V
		C1458	0CC331CK41A C1608C0G1H331JT 330pF 5% 50V
		C1459	0CK104CK56A 0603B104K500CT 100nF 10% 50V
		C1460	0CK105CD56A C1608X7R1A105KT 1uF 10% 10V
		C1461	0CK104CK56A 0603B104K500CT 100nF 10% 50V
		C1462	0CK105CD56A C1608X7R1A105KT 1uF 10% 10V
		C1463	0CK104CK56A 0603B104K500CT 100nF 10% 50V
		C1464	0CK104CK56A 0603B104K500CT 100nF 10% 50V
		C1465	0CK104CK56A 0603B104K500CT 100nF 10% 50V
		C1466	0CC102CK41A C1608C0G1H102JT 1nF 5% 50V C
		C1467	0CK104CK56A 0603B104K500CT 100nF 10% 50V
		C1468	0CK104CK56A 0603B104K500CT 100nF 10% 50V
		C1469	0CK104CK56A 0603B104K500CT 100nF 10% 50V
		C1470	0CC221CK41A C1608C0G1H221JT 220pF 5% 50V
		C1471	0CH2122K516 0805B122K500CT 1.2nF 10% 50V
		C1472	0CK104CK56A 0603B104K500CT 100nF 10% 50V
		C1473	0CC331CK41A C1608C0G1H331JT 330pF 5% 50V
		C1475	0CE226WF6DC MVK5.0TP16VC22M 22uF 20% 16V
		C1476	0CC560CK41A C1608C0G1H560JT 56pF 5% 50V
		C1477	0CC560CK41A C1608C0G1H560JT 56pF 5% 50V
		C1480	0CE476SF6DC VMV476M016S0ANCO10 47uF 20%
		C1481	0CE476SF6DC VMV476M016S0ANCO10 47uF 20%
		C1482	0CE476SF6DC VMV476M016S0ANCO10 47uF 20%
		C1483	0CH5010K116 0805N1R0D500LT 1pF 0.5PF 50V
		C1484	0CH5010K116 0805N1R0D500LT 1pF 0.5PF 50V
		C1485	0CH5010K116 0805N1R0D500LT 1pF 0.5PF 50V
		C151	0CC221CK41A C1608C0G1H221JT 220pF 5% 50V
		C152	0CC331CK41A C1608C0G1H331JT 330pF 5% 50V
		C153	0CC221CK41A C1608C0G1H221JT 220pF 5% 50V
		C154	0CC331CK41A C1608C0G1H331JT 330pF 5% 50V
		C155	0CC221CK41A C1608C0G1H221JT 220pF 5% 50V
		C156	0CC331CK41A C1608C0G1H331JT 330pF 5% 50V
		C1600	0CK104CK56A 0603B104K500CT 100nF 10% 50V
		C1601	0CE476WF6DC MVK6.3TP16VC47M 47uF 20% 16V
		C1602	0CK104CK56A 0603B104K500CT 100nF 10% 50V
		C1603	0CE476WF6DC MVK6.3TP16VC47M 47uF 20% 16V
		C1604	0CE476SF6DC VMV476M016S0ANCO10 47uF 20%
		C1605	0CK104CK56A 0603B104K500CT 100nF 10% 50V
		C1606	0CK104CK56A 0603B104K500CT 100nF 10% 50V
		C1607	0CK103CK51A 0603B103K500CT 10nF 10% 50V
		C1608	0CE107WF6DC MVK6.3TP16VC100M 100uF 20% 1
		C161	0CK104CK56A 0603B104K500CT 100nF 10% 50V
		C162	0CK104CK56A 0603B104K500CT 100nF 10% 50V
		C165	0CK104CK56A 0603B104K500CT 100nF 10% 50V
		C166	0CK104CK56A 0603B104K500CT 100nF 10% 50V
		C167	0CC150CK41A C1608C0G1H150JT 15pF 5% 50V
		C168	0CC150CK41A C1608C0G1H150JT 15pF 5% 50V
		C171	0CC050CK11A C1608C0G1H050DT 5pF 0.5PF 50
		C172	0CH5010K116 0805N1R0D500LT 1pF 0.5PF 50V
		C173	0CC050CK11A C1608C0G1H050DT 5pF 0.5PF 50
		C174	0CE476XFKDC MVK6.3TP16VCBP47M 47uF 20% 1
		C175	0CE476XFKDC MVK6.3TP16VCBP47M 47uF 20% 1
		C176	0CK104CK56A 0603B104K500CT 100nF 10% 50V
		C177	0CK104CK56A 0603B104K500CT 100nF 10% 50V
		C178	0CC470CK41A C1608C0G1H470JT 47pF 5% 50V
		C180	0CE107WF6DC MVK6.3TP16VC100M 100uF 20% 1

		C1800	0CK104CK56A 0603B104K500CT 100nF 10% 50V
		C1801	0CK104CK56A 0603B104K500CT 100nF 10% 50V
		C1802	0CK104CK56A 0603B104K500CT 100nF 10% 50V
		C1803	0CK104CK56A 0603B104K500CT 100nF 10% 50V
		C1804	0CK104CK56A 0603B104K500CT 100nF 10% 50V
		C1805	0CK104CK56A 0603B104K500CT 100nF 10% 50V
		C1806	0CK104CK56A 0603B104K500CT 100nF 10% 50V
		C1807	0CK104CK56A 0603B104K500CT 100nF 10% 50V
		C1808	0CK104CK56A 0603B104K500CT 100nF 10% 50V
		C181	0CE476XFKDC MVK6.3TP16VCBP47M 47uF 20% 1
		C182	0CE476XFKDC MVK6.3TP16VCBP47M 47uF 20% 1
		C1824	0CK104CK56A 0603B104K500CT 100nF 10% 50V
		C1831	0CK104CK56A 0603B104K500CT 100nF 10% 50V
		C1833	0CK104CK56A 0603B104K500CT 100nF 10% 50V
		C1835	0CK104CK56A 0603B104K500CT 100nF 10% 50V
		C184	0CK104CK56A 0603B104K500CT 100nF 10% 50V
		C185	0CK104CK56A 0603B104K500CT 100nF 10% 50V
		C186	0CK102CK56A 0603B102K500CT 1nF 10% 50V X
		C1860	0CK104CK56A 0603B104K500CT 100nF 10% 50V
		C1865	0CK104CK56A 0603B104K500CT 100nF 10% 50V
		C1867	0CC101CK41A C1608C0G1H101JT 100pF 5% 50V
		C187	0CK102CK56A 0603B102K500CT 1nF 10% 50V X
		C1900	0CK103CK51A 0603B103K500CT 10nF 10% 50V
		C1901	0CE476WF6DC MVK6.3TP16VC47M 47uF 20% 16V
		C1902	0CK103CK51A 0603B103K500CT 10nF 10% 50V
		C1903	0CE107WF6DC MVK6.3TP16VC100M 100uF 20% 1
		C1904	0CE107WF6DC MVK6.3TP16VC100M 100uF 20% 1
		C1905	0CE107WF6DC MVK6.3TP16VC100M 100uF 20% 1
		C1906	0CE107WF6DC MVK6.3TP16VC100M 100uF 20% 1
		C1907	0CE107WF6DC MVK6.3TP16VC100M 100uF 20% 1
		C1908	0CE476WF6DC MVK6.3TP16VC47M 47uF 20% 16V
		C1909	0CE476WF6DC MVK6.3TP16VC47M 47uF 20% 16V
		C1910	0CE476WF6DC MVK6.3TP16VC47M 47uF 20% 16V
		C1911	0CE476WK6DC MVK8.0TP50VC47M 47uF 20% 50V
		C1912	0CK104CK56A 0603B104K500CT 100nF 10% 50V
		C1914	0CK104CK56A 0603B104K500CT 100nF 10% 50V
		C1915	0CK104CK56A 0603B104K500CT 100nF 10% 50V
		C1919	0CK104CK56A 0603B104K500CT 100nF 10% 50V
		C1920	0CK104CK56A 0603B104K500CT 100nF 10% 50V
		C1923	0CE337WJ6D8 MVK12.5TP35VC330M 330uF 20%
		C1924	0CE337WJ6D8 MVK12.5TP35VC330M 330uF 20%
		C1925	0CE337WJ6D8 MVK12.5TP35VC330M 330uF 20%
		C1926	0CK104CK56A 0603B104K500CT 100nF 10% 50V
		C1927	0CK104CF56A 0603B104K160CT 100nF 10% 16V
		C1928	0CK104CK56A 0603B104K500CT 100nF 10% 50V
		C1929	0CK105CD56A C1608X7R1A105KT 1uF 10% 10V
		C1931	0CK104CK56A 0603B104K500CT 100nF 10% 50V
		C1932	0CK104CK56A 0603B104K500CT 100nF 10% 50V
		C1933	0CK104CK56A 0603B104K500CT 100nF 10% 50V
		C1934	0CK104CK56A 0603B104K500CT 100nF 10% 50V
		C1935	0CK104CK56A 0603B104K500CT 100nF 10% 50V
		C1936	0CK105CD56A C1608X7R1A105KT 1uF 10% 10V
		C200	0CK103CK56A 0603B103K500CT 10nF 10% 50V
		C201	0CK103CK56A 0603B103K500CT 10nF 10% 50V
		C202	0CK273CK56A 0603B273K500CT 27nF 10% 50V
		C203	0CE475WK6DC MVK5.0TP50VC4.7M 4.7uF 20% 5
		C204	0CE477WF6DC MVK10TP16VC470M 470uF 20% 16
		C206	0CC270CK41A C1608C0G1H270JT 27pF 5% 50V
		C207	0CK103CK56A 0603B103K500CT 10nF 10% 50V
		C208	0CE477WF6DC MVK10TP16VC470M 470uF 20% 16
		C210	0CE475WK6DC MVK5.0TP50VC4.7M 4.7uF 20% 5
		C211	0CE477WF6DC MVK10TP16VC470M 470uF 20% 16
		C212	0CC101CK41A C1608C0G1H101JT 100pF 5% 50V
		C213	0CK103CK56A 0603B103K500CT 10nF 10% 50V
		C214	0CE106WFKDC MVK4.0TP16VC10M 10uF 20% 16V
		C215	0CE475WK6DC MVK5.0TP50VC4.7M 4.7uF 20% 5
		C216	0CC270CK41A C1608C0G1H270JT 27pF 5% 50V
		C217	0CC270CK41A C1608C0G1H270JT 27pF 5% 50V
		C218	0CC270CK41A C1608C0G1H270JT 27pF 5% 50V
		C219	0CK103CK56A 0603B103K500CT 10nF 10% 50V
		C220	0CK103CK56A 0603B103K500CT 10nF 10% 50V
		C221	0CE477WF6DC MVK10TP16VC470M 470uF 20% 16
		C222	0CK103CK56A 0603B103K500CT 10nF 10% 50V
		C223	0CK272CK46A 0603B272K500CT 2.7nF 10% 50V
		C224	0CK273CK56A 0603B273K500CT 27nF 10% 50V
		C225	0CK103CK56A 0603B103K500CT 10nF 10% 50V
		C227	0CK104CK56A 0603B104K500CT 100nF 10% 50V
		C229	0CC271CK41A C1608C0G1H271JT 270pF 5% 50V
		C230	0CC271CK41A C1608C0G1H271JT 270pF 5% 50V
		C231	0CK104CK56A 0603B104K500CT 100nF 10% 50V

DATE: 2006. 09. 13.				
*S	*AL	LOC. NO.	PART NO.	DESCRIPTION / SPECIFICATION
		C232	0CK272CK46A	0603B272J500CT 2.7nF 10% 50V
		C233	0CK103CK56A	0603B103K500CT 10nF 10% 50V
		C234	0CC101CK41A	C1608C0G1H101JT 100pF 5% 50V
		C238	0CE107WF6DC	MVK6.3TP16VC100M 100uF 20% 1
		C239	0CK104CK56A	0603B104K500CT 100nF 10% 50V
		C240	0CC271CK41A	C1608C0G1H271JT 270pF 5% 50V
		C241	0CE476WK6DC	MVK8.0TP50VC47M 47uF 20% 50V
		C242	0CK104CK56A	0603B104K500CT 100nF 10% 50V
		C243	0CE475WK6DC	MVK5.0TP50VC4.7M 4.7uF 20% 5
		C244	0CK103CK56A	0603B103K500CT 10nF 10% 50V
		C245	0CE107WF6DC	MVK6.3TP16VC100M 100uF 20% 1
		C246	0CE107WF6DC	MVK6.3TP16VC100M 100uF 20% 1
		C300	0CE107WF6DC	MVK6.3TP16VC100M 100uF 20% 1
		C301	0CK103CK51A	0603B103K500CT 10nF 10% 50V
		C302	0CK103CK51A	0603B103K500CT 10nF 10% 50V
		C303	0CK103CK51A	0603B103K500CT 10nF 10% 50V
		C304	0CE226SF6DC	VMV226M016S0ANB010 22uF 20%
		C305	0CE107WF6DC	MVK6.3TP16VC100M 100uF 20% 1
		C306	0CK104CK56A	0603B104K500CT 100nF 10% 50V
		C307	0CE476SF6DC	VMV476M016S0ANCO10 47uF 20%
		C308	0CK104CK56A	0603B104K500CT 100nF 10% 50V
		C309	0CK474CH94A	0603F474Z250CT 470nF -20TO+8
		C310	0CK103CK51A	0603B103K500CT 10nF 10% 50V
		C311	0CK474CH94A	0603F474Z250CT 470nF -20TO+8
		C312	0CK103CK51A	0603B103K500CT 10nF 10% 50V
		C313	0CK104CK56A	0603B104K500CT 100nF 10% 50V
		C314	0CK474CH94A	0603F474Z250CT 470nF -20TO+8
		C315	0CK225DFK4A	C2012Y5V1C225MT 2.2uF 20% 16
		C316	0CK474CH94A	0603F474Z250CT 470nF -20TO+8
		C317	0CK474CH94A	0603F474Z250CT 470nF -20TO+8
		C318	0CK225DFK4A	C2012Y5V1C225MT 2.2uF 20% 16
		C319	0CK225DFK4A	C2012Y5V1C225MT 2.2uF 20% 16
		C320	0CK225DFK4A	C2012Y5V1C225MT 2.2uF 20% 16
		C321	0CK225DFK4A	C2012Y5V1C225MT 2.2uF 20% 16
		C322	0CK474CH94A	0603F474Z250CT 470nF -20TO+8
		C323	0CK474CH94A	0603F474Z250CT 470nF -20TO+8
		C324	0CK474CH94A	0603F474Z250CT 470nF -20TO+8
		C325	0CK225DFK4A	C2012Y5V1C225MT 2.2uF 20% 16
		C326	0CK474CH94A	0603F474Z250CT 470nF -20TO+8
		C327	0CK474CH94A	0603F474Z250CT 470nF -20TO+8
		C328	0CK225DFK4A	C2012Y5V1C225MT 2.2uF 20% 16
		C329	0CK474CH94A	0603F474Z250CT 470nF -20TO+8
		C330	0CK225DFK4A	C2012Y5V1C225MT 2.2uF 20% 16
		C331	0CK474CH94A	0603F474Z250CT 470nF -20TO+8
		C332	0CK474CH94A	0603F474Z250CT 470nF -20TO+8
		C333	0CK474CH94A	0603F474Z250CT 470nF -20TO+8
		C334	0CK474CH94A	0603F474Z250CT 470nF -20TO+8
		C335	0CK474CH94A	0603F474Z250CT 470nF -20TO+8
		C337	0CK474CH94A	0603F474Z250CT 470nF -20TO+8
		C338	0CK225DFK4A	C2012Y5V1C225MT 2.2uF 20% 16
		C339	0CK104CK56A	0603B104K500CT 100nF 10% 50V
		C340	0CE476SF6DC	VMV476M016S0ANCO10 47uF 20%
		C341	0CK222CK56A	0603B222K500CT 2.2nF 10% 50V
		C342	0CE105WK6DC	MVK4.0TP50VC1M 1uF 20% 50V 5
		C343	0CH2563K516	0805B563K500CT 56nF 10% 50V
		C344	0CK223CK51A	0603B223K500CT 22nF 10% 50V
		C345	0CK821CK56A	C1608X7R1H821KT 820pF 10% 50
		C346	0CK103CK51A	0603B103K500CT 10nF 10% 50V
		C347	0CE105SK6DC	VMV105M050S0ANB010 1uF 20% 5
		C348	0CK104CK56A	0603B104K500CT 100nF 10% 50V
		C349	0CK103CK51A	0603B103K500CT 10nF 10% 50V
		C350	0CK225DFK4A	C2012Y5V1C225MT 2.2uF 20% 16
		C351	0CK104CK56A	0603B104K500CT 100nF 10% 50V
		C400	0CK103CK56A	0603B103K500CT 10nF 10% 50V
		C401	0CK104CK56A	0603B104K500CT 100nF 10% 50V
		C402	0CE476WF6DC	MVK6.3TP16VC47M 47uF 20% 16V
		C403	0CE226WF6DC	MVK5.0TP16VC22M 22uF 20% 16V
		C404	0CH5010K116	0805N1R0D500LT 1pF 0.5PF 50V
		C405	0CH5010K116	0805N1R0D500LT 1pF 0.5PF 50V
		C406	0CK104CK56A	0603B104K500CT 100nF 10% 50V
		C407	0CK104CK56A	0603B104K500CT 100nF 10% 50V
		C408	0CC560CK41A	C1608C0G1H560JT 56pF 5% 50V
		C409	0CC560CK41A	C1608C0G1H560JT 56pF 5% 50V
		C410	0CK103CK56A	0603B103K500CT 10nF 10% 50V

DATE: 2006. 09. 13.				
*S	*AL	LOC. NO.	PART NO.	DESCRIPTION / SPECIFICATION
		C411	0CE476SF6DC	VMV476M016S0ANCO10 47uF 20%
		C412	0CE226SF6DC	VMV226M016S0ANB010 22uF 20%
		C413	0CE335WK6D8	MVK4.0TP50VC3.3M 3.3uF 20% 5
		C414	0CH5010K116	0805N1R0D500LT 1pF 0.5PF 50V
		C417	0CK474CH94A	0603F474Z250CT 470nF -20TO+8
		C418	0CH5010K116	0805N1R0D500LT 1pF 0.5PF 50V
		C419	0CK104CK56A	0603B104K500CT 100nF 10% 50V
		C420	0CK103CK56A	0603B103K500CT 10nF 10% 50V
		C421	0CC560CK41A	C1608C0G1H560JT 56pF 5% 50V
		C422	0CC560CK41A	C1608C0G1H560JT 56pF 5% 50V
		C423	0CK474CH94A	0603F474Z250CT 470nF -20TO+8
		C425	0CE226WF6DC	MVK5.0TP16VC22M 22uF 20% 16V
		C426	0CK474CH94A	0603F474Z250CT 470nF -20TO+8
		C428	0CE335SK6DC	VMV335M050S0ANB010 3.3uF 20%
		C429	0CK474CH94A	0603F474Z250CT 470nF -20TO+8
		C430	0CK474CH94A	0603F474Z250CT 470nF -20TO+8
		C431	0CK104CK56A	0603B104K500CT 100nF 10% 50V
		C433	0CK474CH94A	0603F474Z250CT 470nF -20TO+8
		C434	0CK474CH94A	0603F474Z250CT 470nF -20TO+8
		C435	0CK103CK56A	0603B103K500CT 10nF 10% 50V
		C437	0CK103CK56A	0603B103K500CT 10nF 10% 50V
		C438	0CK474CH94A	0603F474Z250CT 470nF -20TO+8
		C441	0CK474CH94A	0603F474Z250CT 470nF -20TO+8
		C442	0CC101CK41A	C1608C0G1H101JT 100pF 5% 50V
		C453	0CK103CK56A	0603B103K500CT 10nF 10% 50V
		C454	0CK471CK56A	C1608X7R1H471KT 470pF 10% 50
		C457	0CE335WK6D8	MVK4.0TP50VC3.3M 3.3uF 20% 5
		C459	0CK104CK56A	0603B104K500CT 100nF 10% 50V
		C461	0CK103CK56A	0603B103K500CT 10nF 10% 50V
		C462	0CE107WF6DC	MVK6.3TP16VC100M 100uF 20% 1
		C463	0CE106WH6DC	MVK5.0TP25VC10M 10uF 20% 25V
		C464	0CE106WH6DC	MVK5.0TP25VC10M 10uF 20% 25V
		C465	0CE335SK6DC	VMV335M050S0ANB010 3.3uF 20%
		C466	0CK104CK56A	0603B104K500CT 100nF 10% 50V
		C467	0CK682CK51A	C1608Y5P1H682KT 6.8nF 10% 50
		C468	0CE107WF6DC	MVK6.3TP16VC100M 100uF 20% 1
		C469	0CE106WH6DC	MVK5.0TP25VC10M 10uF 20% 25V
		C470	0CE106SH6DC	VMV106M025S0ANB010 10uF 20%
		C471	0CK682CK51A	C1608Y5P1H682KT 6.8nF 10% 50
		C472	0CK682CK51A	C1608Y5P1H682KT 6.8nF 10% 50
		C473	0CK682CK51A	C1608Y5P1H682KT 6.8nF 10% 50
		C474	0CE475SK6DC	VMV475M050S0ANB010 4.7uF 20%
		C475	0CE475SK6DC	VMV475M050S0ANB010 4.7uF 20%
		C476	0CK471CK56A	C1608X7R1H471KT 470pF 10% 50
		C477	0CE226SF6DC	VMV226M016S0ANB010 22uF 20%
		C478	0CK104CK56A	0603B104K500CT 100nF 10% 50V
		C479	0CC101CK41A	C1608C0G1H101JT 100pF 5% 50V
		C480	0CK103CK56A	0603B103K500CT 10nF 10% 50V
		C481	0CE475WK6DC	MVK5.0TP50VC4.7M 4.7uF 20% 5
		C482	0CE475WK6DC	MVK5.0TP50VC4.7M 4.7uF 20% 5
		C496	0CK104CK56A	0603B104K500CT 100nF 10% 50V
		C497	0CK474CH94A	0603F474Z250CT 470nF -20TO+8
		C498	0CK104CK56A	0603B104K500CT 100nF 10% 50V
		C502	0CK103CK56A	0603B103K500CT 10nF 10% 50V
		C503	0CK103CK56A	0603B103K500CT 10nF 10% 50V
		C516	0CK104CK56A	0603B104K500CT 100nF 10% 50V
		C517	0CK104CK56A	0603B104K500CT 100nF 10% 50V
		C524	0CK104CK56A	0603B104K500CT 100nF 10% 50V
		C527	0CE476SF6DC	VMV476M016S0ANCO10 47uF 20%
		C540	0CK104CK56A	0603B104K500CT 100nF 10% 50V
		C541	0CK104CK56A	0603B104K500CT 100nF 10% 50V
		C601	0CK104CK56A	0603B104K500CT 100nF 10% 50V
		C602	0CK104CK56A	0603B104K500CT 100nF 10% 50V
		C603	0CK104CK56A	0603B104K500CT 100nF 10% 50V
		C605	0CC470CK41A	C1608C0G1H470JT 47pF 5% 50V
		C607	0CK104CK56A	0603B104K500CT 100nF 10% 50V
		C609	0CK104CK56A	0603B104K500CT 100nF 10% 50V
		C610	0CE107WF6DC	MVK6.3TP16VC100M 100uF 20% 1
		C622	0CE476WF6DC	MVK6.3TP16VC47M 47uF 20% 16V
		C623	0CK104CK56A	0603B104K500CT 100nF 10% 50V
		C624	0CC221CK41A	C1608C0G1H221JT 220pF 5% 50V
		C625	0CK104CK56A	0603B104K500CT 100nF 10% 50V
		C626	0CE107WF6DC	MVK6.3TP16VC100M 100uF 20% 1
		C700	0CC300CK41A	C1608C0G1H300JT 30pF 5% 50V

DATE: 2006. 09. 13.				
*S	*AL	LOC. NO.	PART NO.	DESCRIPTION / SPECIFICATION
		C887	0CK104CK56A	0603B104K500CT 100nF 10% 50V
		C888	0CK104CK56A	0603B104K500CT 100nF 10% 50V
		C889	0CK104CK56A	0603B104K500CT 100nF 10% 50V
		C890	0CK104CK56A	0603B104K500CT 100nF 10% 50V
		C891	0CK104CK56A	0603B104K500CT 100nF 10% 50V
		C892	0CK104CK56A	0603B104K500CT 100nF 10% 50V
		C893	0CK104CK56A	0603B104K500CT 100nF 10% 50V
		C894	0CK104CK56A	0603B104K500CT 100nF 10% 50V
		C895	0CK104CK56A	0603B104K500CT 100nF 10% 50V
		C896	0CE226WF6DC	MVK5.0TP16VC22M 22uF 20% 16V
		C897	0CK104CK56A	0603B104K500CT 100nF 10% 50V
		C898	0CK104CK56A	0603B104K500CT 100nF 10% 50V
		C899	0CK104CK56A	0603B104K500CT 100nF 10% 50V
		C901	0CE226SF6DC	VMV226M016S0ANB010 22uF 20%
		C902	0CK104CK56A	0603B104K500CT 100nF 10% 50V
		C903	0CK103CK51A	0603B103K500CT 10nF 10% 50V
		C904	0CE226WF6DC	MVK5.0TP16VC22M 22uF 20% 16V
		C905	0CE226WF6DC	MVK5.0TP16VC22M 22uF 20% 16V
		C906	0CK104CK56A	0603B104K500CT 100nF 10% 50V
		C907	0CK103CK51A	0603B103K500CT 10nF 10% 50V
		C908	0CK104CK56A	0603B104K500CT 100nF 10% 50V
		C909	0CK103CK51A	0603B103K500CT 10nF 10% 50V
		C910	0CK104CK56A	0603B104K500CT 100nF 10% 50V
		C911	0CK103CK51A	0603B103K500CT 10nF 10% 50V
		C912	0CK104CK56A	0603B104K500CT 100nF 10% 50V
		C913	0CK103CK51A	0603B103K500CT 10nF 10% 50V
		C914	0CK104CK56A	0603B104K500CT 100nF 10% 50V
		C915	0CK103CK51A	0603B103K500CT 10nF 10% 50V
		C916	0CK104CK56A	0603B104K500CT 100nF 10% 50V
		C917	0CK103CK51A	0603B103K500CT 10nF 10% 50V
		C918	0CK104CK56A	0603B104K500CT 100nF 10% 50V
		C919	0CK103CK51A	0603B103K500CT 10nF 10% 50V
		C920	0CK104CK56A	0603B104K500CT 100nF 10% 50V
		C921	0CK103CK51A	0603B103K500CT 10nF 10% 50V
		C922	0CK104CK56A	0603B104K500CT 100nF 10% 50V
		C923	0CK103CK51A	0603B103K500CT 10nF 10% 50V
		C924	0CK104CK56A	0603B104K500CT 100nF 10% 50V
		C925	0CK103CK51A	0603B103K500CT 10nF 10% 50V
		C926	0CK104CK56A	0603B104K500CT 100nF 10% 50V
		C927	0CK103CK51A	0603B103K500CT 10nF 10% 50V
		C928	0CK104CK56A	0603B104K500CT 100nF 10% 50V
		C929	0CK103CK51A	0603B103K500CT 10nF 10% 50V
		C930	0CE226WF6DC	MVK5.0TP16VC22M 22uF 20% 16V
		C931	0CK104CK56A	0603B104K500CT 100nF 10% 50V
		C932	0CK103CK51A	0603B103K500CT 10nF 10% 50V
		C933	0CK104CK56A	0603B104K500CT 100nF 10% 50V
		C934	0CK103CK51A	0603B103K500CT 10nF 10% 50V
		C935	0CK104CK56A	0603B104K500CT 100nF 10% 50V
		C936	0CK103CK51A	0603B103K500CT 10nF 10% 50V
		C937	0CK104CK56A	0603B104K500CT 100nF 10% 50V
		C938	0CK103CK51A	0603B103K500CT 10nF 10% 50V
		C939	0CK104CK56A	0603B104K500CT 100nF 10% 50V
		C940	0CK103CK51A	0603B103K500CT 10nF 10% 50V
		C941	0CK104CK56A	0603B104K500CT 100nF 10% 50V
		C942	0CK103CK51A	0603B103K500CT 10nF 10% 50V
		C943	0CK103CK56A	0603B103K500CT 10nF 10% 50V
		C944	0CK104CK56A	0603B104K500CT 100nF 10% 50V
		C945	0CK102CK56A	0603B102K500CT 1nF 10% 50V X
		C949	0CK103CK51A	0603B103K500CT 10nF 10% 50V
		C950	0CE226SF6DC	VMV226M016S0ANB010 22uF 20%
		C951	0CK104CK56A	0603B104K500CT 100nF 10% 50V
		C990	0CC030CK01A	0603N3R0C500LT 3pF 0.25PF 50
		C991	0CC030CK01A	0603N3R0C500LT 3pF 0.25PF 50
		C992	0CK104CK56A	0603B104K500CT 100nF 10% 50V
		C993	0CC101CK41A	C1608C0G1H101JT 100pF 5% 50V
		R1952	0CK104CK56A	0603B104K500CT 100nF 10% 50V
		R1953	0CK104CK56A	0603B104K500CT 100nF 10% 50V
DIODES				
		D1005	0DD226239AA	KDS226 1.2V 85V 300MA 2A 4NS
		D1006	0DD226239AA	KDS226 1.2V 85V 300MA 2A 4NS
		D1007	0DD226239AA	KDS226 1.2V 85V 300MA 2A 4NS
		D1008	0DD226239AA	KDS226 1.2V 85V 300MA 2A 4NS

DATE: 2006. 09. 13.				
*S	*AL	LOC. NO.	PART NO.	DESCRIPTION / SPECIFICATION
		D1009	0DD226239AA	KDS226 1.2V 85V 300MA 2A 4NS
		D1010	0DD226239AA	KDS226 1.2V 85V 300MA 2A 4NS
		D1012	0DD200009AF	RU2M 400V 1.2V 10UA 20A 400N
		D1013	0DD200009AF	RU2M 400V 1.2V 10UA 20A 400N
		D102	0DD226239AA	KDS226 1.2V 85V 300MA 2A 4NS
		D105	0DD226239AA	KDS226 1.2V 85V 300MA 2A 4NS
		D106	0DD226239AA	KDS226 1.2V 85V 300MA 2A 4NS
		D1100	0DD226239AA	KDS226 1.2V 85V 300MA 2A 4NS
		D1105	0DD226239AA	KDS226 1.2V 85V 300MA 2A 4NS
		D1106	0DD226239AA	KDS226 1.2V 85V 300MA 2A 4NS
		D1107	0DD226239AA	KDS226 1.2V 85V 300MA 2A 4NS
		D1109	0DD226239AA	KDS226 1.2V 85V 300MA 2A 4NS
		D1110	0DD226239AA	KDS226 1.2V 85V 300MA 2A 4NS
		D112	0DD226239AA	KDS226 1.2V 85V 300MA 2A 4NS
		D113	0DD226239AA	KDS226 1.2V 85V 300MA 2A 4NS
		D114	0DD226239AA	KDS226 1.2V 85V 300MA 2A 4NS
		D1200	0DD184009AA	KDS184 KDS184 TP KEC - 85V -
		D200	0DS113379BA	1SS133 1.2V 90V 400MA 600MA
		D300	0DD226239AA	KDS226 1.2V 85V 300MA 2A 4NS
		D500	0DD226239AA	KDS226 1.2V 85V 300MA 2A 4NS
		D501	0DD226239AA	KDS226 1.2V 85V 300MA 2A 4NS
		D502	0DD226239AA	KDS226 1.2V 85V 300MA 2A 4NS
		D504	0DR050008AA	SD05.TC - 6V 14.5V 24A 350W
		D505	0DR050008AA	SD05.TC - 6V 14.5V 24A 350W
		D506	0DR050008AA	SD05.TC - 6V 14.5V 24A 350W
		D507	0DR050008AA	SD05.TC - 6V 14.5V 24A 350W
		ZD102	0DZ560009DA	UDZS5.6B 5.6V 5.49TO5.73V 60
		ZD103	0DZ560009DA	UDZS5.6B 5.6V 5.49TO5.73V 60
		ZD300	0DR050008AA	SD05.TC - 6V 14.5V 24A 350W
		ZD301	0DR050008AA	SD05.TC - 6V 14.5V 24A 350W
		ZD400	0DZRM00248A	RLZ8.2B 8.2V 7.78TO8.19V 80H
		ZD401	0DZRM00248A	RLZ8.2B 8.2V 7.78TO8.19V 80H
		ZD600	0DR050008AA	SD05.TC - 6V 14.5V 24A 350W
		ZD605	0DR050008AA	SD05.TC - 6V 14.5V 24A 350W
		ZD606	0DR050008AA	SD05.TC - 6V 14.5V 24A 350W
		ZD607	0DR050008AA	SD05.TC - 6V 14.5V 24A 350W
IC				
		IC100	0IMCRMI006B	M52758FP 4.75TO5.5V 0SEC 0SE
		IC1000	0IIPRPML001A	MIC39100 2.3TO26V 0 0W SOT22
		IC1001	0IPMGKE011A	KIA78D33F 4TO10V 3.3V 1.3W D
		IC1002	0IMCRFA010A	KA7809R 11.5TO24V 9V 150W DP
		IC1003	0IPMG00027A	SC156515M-1.8TR 2.2TO5.5V 1
		IC1004	0IPMGKE011A	KIA78D33F 4TO10V 3.3V 1.3W D
		IC1005	0IPMGKE011A	KIA78D33F 4TO10V 3.3V 1.3W D
		IC1100	0IPMGKE011A	KIA78D33F 4TO10V 3.3V 1.3W D
		IC1101	0IIPRPML001A	MIC39100 2.3TO26V 0 0W SOT22
		IC1102	0IPMG00027A	SC156515M-1.8TR 2.2TO5.5V 1
		IC1103	0IPMGKE030A	KIA78R05F 6TO12V 5V 8W DPAK
		IC1104	0IPMG00027A	SC156515M-1.8TR 2.2TO5.5V 1
		IC1105	0IIPRPML001A	MIC39100 2.3TO26V 0 0W SOT22
		IC1200	0IIPRPS5005A	SI9011CLU - - LQFP TR 128P
		IC1201	0IIMMR00018A	24LC02BT-I/SN 2KBIT 2KX8BIT
		IC1206	0ISO206900A	CXA2069Q 8.5TO9.5V - - 1.3W
		IC202	0IPMGON013B	MC34063ADR2G 3TO40V 40V 625M
		IC301	0ISA721700C	LA7217M 4.5VTO5.5V 16.1KHZ 1
		IC400	0IMCRMN028C	MSP4450K-QA-D6 7.6TO8.7V 4.7
		IC404	0ILNR00261A	STA323AW 10TO36V 0 10% 0W 0W
		IC406	0IMCRMN028C	MSP4450K-QA-D6 7.6TO8.7V 4.7
		IC500	0IIMMR00018A	24LC02BT-I/SN 2KBIT 2KX8BIT
		IC502	0IPH741400E	74HC14D 2TO6V 0.002mA SCHMIT
		IC600	0IIPRP00009A	ICL3232CBNZ 3VTO5.5V - SSOP
		IC604	0IOT0741570C	TC74LCX157FT 2TO3.6V 0.01mA
		IC700	0IMCR02006A	"FLI8125BB-LF 3.15VTO3.45V,1."
		IC701	0IMMRAL025A	AT24C32AN-10SU-2.7 32KBIT 40
		IC703	0IMMR00004C	"SST25VF040-20-4C-S2AE,LF 4MB"
		IC800	0IMCR02005A	FLI8532-LF-BD 3.3V_2.5V_1.8V
		IC805	0IMP242560A	24LC256T-I/SM 256KBIT 256KX8
		IC900	0IIZZ9H9012C	0IMMR00133A S5G THOMSON TSOP
		IC901	0IIMMRHY052C	HY5DU281622ETP-5 128MBIT 2MX
		IC902	0IIMMRHY052C	HY5DU281622ETP-5 128MBIT 2MX
		AL1200	6210TCE002B	HB-4M3216-121JT 120OHM 3.2X1

DATE: 2006. 09. 13.			
*S	*AL	LOC. NO.	PART NO. DESCRIPTION / SPECIFICATION
COIL & FILTER & INDUCTOR			
		AL1201	6210TCE002B HB-4M3216-121JT 120OHM 3.2X1
		AL1202	6210TCE002B HB-4M3216-121JT 120OHM 3.2X1
		AL1203	6210TCE002B HB-4M3216-121JT 120OHM 3.2X1
		AL1204	6210TCE002B HB-4M3216-121JT 120OHM 3.2X1
		AL1205	6210TCE002B HB-4M3216-121JT 120OHM 3.2X1
		L100	6200J000013 MLB-321611-0500P-N2 500OHM 3
		L1000	6140VB0004B LN-15A1 26uH AC500V 5MA 12X9
		L1004	6200J000013 MLB-321611-0500P-N2 500OHM 3
		L1005	6200J000013 MLB-321611-0500P-N2 500OHM 3
		L1006	6200J000013 MLB-321611-0500P-N2 500OHM 3
		L1007	6200J000013 MLB-321611-0500P-N2 500OHM 3
		L1008	6200J000013 MLB-321611-0500P-N2 500OHM 3
		L1009	6200J000013 MLB-321611-0500P-N2 500OHM 3
		L1010	6200J000013 MLB-321611-0500P-N2 500OHM 3
		L1011	6200J000013 MLB-321611-0500P-N2 500OHM 3
		L1012	6200J000013 MLB-321611-0500P-N2 500OHM 3
		L1013	6200J000013 MLB-321611-0500P-N2 500OHM 3
		L1014	6200J000013 MLB-321611-0500P-N2 500OHM 3
		L1015	6200J000013 MLB-321611-0500P-N2 500OHM 3
		L1016	6200J000013 MLB-321611-0500P-N2 500OHM 3
		L1017	6200J000013 MLB-321611-0500P-N2 500OHM 3
		L1018	6200J000013 MLB-321611-0500P-N2 500OHM 3
		L1019	6200J000013 MLB-321611-0500P-N2 500OHM 3
		L102	0LCML00020G MLI-201209-3R3K 3.3UH 10% 0V
		L1020	6200J000013 MLB-321611-0500P-N2 500OHM 3
		L1021	6200J000013 MLB-321611-0500P-N2 500OHM 3
		L1022	6200J000013 MLB-321611-0500P-N2 500OHM 3
		L1023	6200J000013 MLB-321611-0500P-N2 500OHM 3
		L1024	6200J000013 MLB-321611-0500P-N2 500OHM 3
		L1026	6200J000013 MLB-321611-0500P-N2 500OHM 3
		L103	0LCML00020G MLI-201209-3R3K 3.3UH 10% 0V
		L1030	6200J000013 MLB-321611-0500P-N2 500OHM 3
		L1031	6200J000013 MLB-321611-0500P-N2 500OHM 3
		L104	0LCML00020G MLI-201209-3R3K 3.3UH 10% 0V
		L105	0LCML00020G MLI-201209-3R3K 3.3UH 10% 0V
		L106	0LCML00020G MLI-201209-3R3K 3.3UH 10% 0V
		L107	0LCML00020G MLI-201209-3R3K 3.3UH 10% 0V
		L108	0LCML00020G MLI-201209-3R3K 3.3UH 10% 0V
		L109	0LCML00020G MLI-201209-3R3K 3.3UH 10% 0V
		L110	6200J000013 MLB-321611-0500P-N2 500OHM 3
		L1101	6140VB0004B LN-15A1 26uH AC500V 5MA 12X9
		L1102	6140VB0004B LN-15A1 26uH AC500V 5MA 12X9
		L1103	6140VB0004B LN-15A1 26uH AC500V 5MA 12X9
		L1104	6140VB0004B LN-15A1 26uH AC500V 5MA 12X9
		L1105	6200J000013 MLB-321611-0500P-N2 500OHM 3
		L1106	6200J000013 MLB-321611-0500P-N2 500OHM 3
		L1107	6200J000013 MLB-321611-0500P-N2 500OHM 3
		L1108	6200J000013 MLB-321611-0500P-N2 500OHM 3
		L1109	6200J000013 MLB-321611-0500P-N2 500OHM 3
		L1110	6200J000013 MLB-321611-0500P-N2 500OHM 3
		L1111	6200J000013 MLB-321611-0500P-N2 500OHM 3
		L1112	6200J000013 MLB-321611-0500P-N2 500OHM 3
		L1113	6200J000013 MLB-321611-0500P-N2 500OHM 3
		L1115	6200J000013 MLB-321611-0500P-N2 500OHM 3
		L1116	6200J000013 MLB-321611-0500P-N2 500OHM 3
		L1117	6200J000013 MLB-321611-0500P-N2 500OHM 3
		L1118	6200J000013 MLB-321611-0500P-N2 500OHM 3
		L1119	6200J000013 MLB-321611-0500P-N2 500OHM 3
		L1120	6200J000013 MLB-321611-0500P-N2 500OHM 3
		L1121	6200J000013 MLB-321611-0500P-N2 500OHM 3
		L1122	6200J000013 MLB-321611-0500P-N2 500OHM 3
		L1123	6200J000013 MLB-321611-0500P-N2 500OHM 3
		L1124	6140VB0004B LN-15A1 26uH AC500V 5MA 12X9
		L1125	6200J000013 MLB-321611-0500P-N2 500OHM 3
		L1126	6200J000013 MLB-321611-0500P-N2 500OHM 3
		L1127	6200J000013 MLB-321611-0500P-N2 500OHM 3
		L1129	6200J000013 MLB-321611-0500P-N2 500OHM 3
		L1130	6200J000013 MLB-321611-0500P-N2 500OHM 3
		L1133	6200J000013 MLB-321611-0500P-N2 500OHM 3
		L114	6200JB8010L MLB-201209-1000L-N2 1000OHM
		L115	6200JB8010L MLB-201209-1000L-N2 1000OHM
		L117	0LCML00020G MLI-201209-3R3K 3.3UH 10% 0V

DATE: 2006. 09. 13.			
*S	*AL	LOC. NO.	PART NO. DESCRIPTION / SPECIFICATION
		L118	0LCML00020G MLI-201209-3R3K 3.3UH 10% 0V
		L119	6200JB8010L MLB-201209-1000L-N2 1000OHM
		L1204	6200J000013 MLB-321611-0500P-N2 500OHM 3
		L1205	6200J000013 MLB-321611-0500P-N2 500OHM 3
		L1206	6200J000013 MLB-321611-0500P-N2 500OHM 3
		L1207	6200J000013 MLB-321611-0500P-N2 500OHM 3
		L1208	6200J000013 MLB-321611-0500P-N2 500OHM 3
		L1209	6200J000013 MLB-321611-0500P-N2 500OHM 3
		L121	6200J000013 MLB-321611-0500P-N2 500OHM 3
		L1212	6200J000013 MLB-321611-0500P-N2 500OHM 3
		L1213	6140TBZ007F SLF12575T-220M4R0-L 22UH 20%
		L1214	6140TBZ007F SLF12575T-220M4R0-L 22UH 20%
		L1215	6140TBZ007F SLF12575T-220M4R0-L 22UH 20%
		L1216	6140TBZ007F SLF12575T-220M4R0-L 22UH 20%
		L122	6210TCE001Z HH-1M2012-600JT 60OHM 2X1.25
		L123	6210TCE001Z HH-1M2012-600JT 60OHM 2X1.25
		L124	6210TCE001Z HH-1M2012-600JT 60OHM 2X1.25
		L125	6210TCE001Z HH-1M2012-600JT 60OHM 2X1.25
		L126	6210TCE001Z HH-1M2012-600JT 60OHM 2X1.25
		L127	0LCML00020G MLI-201209-3R3K 3.3UH 10% 0V
		L128	0LCML00020G MLI-201209-3R3K 3.3UH 10% 0V
		L129	0LCML00020G MLI-201209-3R3K 3.3UH 10% 0V
		L131	6210TCE001Z HH-1M2012-600JT 60OHM 2X1.25
		L132	6200JB8010L MLB-201209-1000L-N2 1000OHM
		L200	6200J000013 MLB-321611-0500P-N2 500OHM 3
		L201	6200J000013 MLB-321611-0500P-N2 500OHM 3
		L202	6200J000013 MLB-321611-0500P-N2 500OHM 3
		L203	6200J000013 MLB-321611-0500P-N2 500OHM 3
		L204	6200J000013 MLB-321611-0500P-N2 500OHM 3
		L205	0LC6461201A D75C-646CY-121M=P3 120UH 20%
		L206	0LCML00020G MLI-201209-3R3K 3.3UH 10% 0V
		L207	0LCML00020G MLI-201209-3R3K 3.3UH 10% 0V
		L301	6200J000013 MLB-321611-0500P-N2 500OHM 3
		L302	6200JB8010L MLB-201209-1000L-N2 1000OHM
		L303	0LCML00020C MLI-201212-100K 10UH 10% - 1
		L304	6200J000013 MLB-321611-0500P-N2 500OHM 3
		L400	6200J000013 MLB-321611-0500P-N2 500OHM 3
		L401	6200J000013 MLB-321611-0500P-N2 500OHM 3
		L403	6200J000013 MLB-321611-0500P-N2 500OHM 3
		L407	6200J000013 MLB-321611-0500P-N2 500OHM 3
		L408	6200J000013 MLB-321611-0500P-N2 500OHM 3
		L409	6200J000013 MLB-321611-0500P-N2 500OHM 3
		L410	6200J000013 MLB-321611-0500P-N2 500OHM 3
		L411	0LCML00020C MLI-201212-100K 10UH 10% - 1
		L412	0LCML00020C MLI-201212-100K 10UH 10% - 1
		L413	6200J000013 MLB-321611-0500P-N2 500OHM 3
		L414	6200J00005E HH-1M2012-601JT 600OHM 2X1.2
		L415	6200J00005E HH-1M2012-601JT 600OHM 2X1.2
		L416	6200J000013 MLB-321611-0500P-N2 500OHM 3
		L500	6200J000013 MLB-321611-0500P-N2 500OHM 3
		L502	6200JB8010L MLB-201209-1000L-N2 1000OHM
		L503	6200JB8010L MLB-201209-1000L-N2 1000OHM
		L506	6200J000013 MLB-321611-0500P-N2 500OHM 3
		L604	6200J000013 MLB-321611-0500P-N2 500OHM 3
		L606	6200J000013 MLB-321611-0500P-N2 500OHM 3
		L607	6210VC0006A FBMH3216 HM501NT 500OHM 3.2X
		L701	6200J000013 MLB-321611-0500P-N2 500OHM 3
		L802	6200J000013 MLB-321611-0500P-N2 500OHM 3
		L803	6210TCE001S HU-1M2012-121 120OHM 2X1.25X
		L804	6210TCE0013 HB-1M1608-121JT 120OHM 1.6X0
		L805	6210TCE0013 HB-1M1608-121JT 120OHM 1.6X0
		L806	6200J000013 MLB-321611-0500P-N2 500OHM 3
		L807	6200J000013 MLB-321611-0500P-N2 500OHM 3
		R833	6210TCE0013 HB-1M1608-121JT 120OHM 1.6X0
		R834	6210TCE0013 HB-1M1608-121JT 120OHM 1.6X0
		R842	6210TCE0013 HB-1M1608-121JT 120OHM 1.6X0
		X1200	6202TST001H SX-1 27MHZ 30PPM 27MHZ 30PPM
		X400	6202VDT002H SX-1 18.432MHZ 30PPM 18.432M
		X401	6202VDT002H SX-1 18.432MHZ 30PPM 18.432M
		X700	6212AB2015J HC-49SM 19.66080HZ 19.6608HZ
		X800	6212AB2015J HC-49SM 19.66080HZ 19.6608HZ

DATE: 2006. 09. 13.				
*S	*AL	LOC. NO.	PART NO.	DESCRIPTION / SPECIFICATION
TRANSISTOR				
		IC1202	OTR830009BA	BSS83 N-CHANNEL MOSFET 10V -
		IC1203	OTR830009BA	BSS83 N-CHANNEL MOSFET 10V -
		IC200	OTR830009BA	BSS83 N-CHANNEL MOSFET 10V -
		IC201	OTR830009BA	BSS83 N-CHANNEL MOSFET 10V -
		IC503	OTR830009BA	BSS83 N-CHANNEL MOSFET 10V -
		IC504	OTR830009BA	BSS83 N-CHANNEL MOSFET 10V -
		Q100	OTR387500AA	2SC3875S(ALY) NPN 5V 60V 50V
		Q1000	OTR387500AA	2SC3875S(ALY) NPN 5V 60V 50V
		Q1001	OTR387500AA	2SC3875S(ALY) NPN 5V 60V 50V
		Q1002	OTR387500AA	2SC3875S(ALY) NPN 5V 60V 50V
		Q1003	OTR387500AA	2SC3875S(ALY) NPN 5V 60V 50V
		Q1004	OTR387500AA	2SC3875S(ALY) NPN 5V 60V 50V
		Q1005	OTR387500AA	2SC3875S(ALY) NPN 5V 60V 50V
		Q101	OTR387500AA	2SC3875S(ALY) NPN 5V 60V 50V
		Q102	OTR102009AM	KRA102S PNP -30V - -50V -0.1
		Q103	OTR387500AA	2SC3875S(ALY) NPN 5V 60V 50V
		Q104	OTR387500AA	2SC3875S(ALY) NPN 5V 60V 50V
		Q105	OTR387500AA	2SC3875S(ALY) NPN 5V 60V 50V
		Q106	OTR387500AA	2SC3875S(ALY) NPN 5V 60V 50V
		Q107	OTR387500AA	2SC3875S(ALY) NPN 5V 60V 50V
		Q108	OTR387500AA	2SC3875S(ALY) NPN 5V 60V 50V
		Q109	OTR387500AA	2SC3875S(ALY) NPN 5V 60V 50V
		Q110	OTR387500AA	2SC3875S(ALY) NPN 5V 60V 50V
		Q1200	OTR387500AA	2SC3875S(ALY) NPN 5V 60V 50V
		Q1201	OTF492509AA	SI4925DY P-CHANNEL -30V +-20
		Q1202	OTR387500AA	2SC3875S(ALY) NPN 5V 60V 50V
		Q200	OTR150400BA	2SA1504S(ASY) PNP -5V -50V -
		Q201	OTR387500AA	2SC3875S(ALY) NPN 5V 60V 50V
		Q202	OTR387500AA	2SC3875S(ALY) NPN 5V 60V 50V
		Q203	OTR150400BA	2SA1504S(ASY) PNP -5V -50V -
		Q204	OTR150400BA	2SA1504S(ASY) PNP -5V -50V -
		Q205	OTR387500AA	2SC3875S(ALY) NPN 5V 60V 50V
		Q206	OTR150400BA	2SA1504S(ASY) PNP -5V -50V -
		Q207	OTR150400BA	2SA1504S(ASY) PNP -5V -50V -
		Q208	OTR387500AA	2SC3875S(ALY) NPN 5V 60V 50V
		Q209	OTR387500AA	2SC3875S(ALY) NPN 5V 60V 50V
		Q210	OTR150400BA	2SA1504S(ASY) PNP -5V -50V -
		Q214	OTR387500AA	2SC3875S(ALY) NPN 5V 60V 50V
		Q300	OTR387500AA	2SC3875S(ALY) NPN 5V 60V 50V
		Q301	OTR387500AA	2SC3875S(ALY) NPN 5V 60V 50V
		Q302	OTR387500AA	2SC3875S(ALY) NPN 5V 60V 50V
		Q303	OTR387500AA	2SC3875S(ALY) NPN 5V 60V 50V
		Q304	OTR387500AA	2SC3875S(ALY) NPN 5V 60V 50V
		Q305	OTR150400BA	2SA1504S(ASY) PNP -5V -50V -
		Q306	OTR387500AA	2SC3875S(ALY) NPN 5V 60V 50V
		Q307	OTR387500AA	2SC3875S(ALY) NPN 5V 60V 50V
		Q400	OTR387500AA	2SC3875S(ALY) NPN 5V 60V 50V
		Q401	OTR387500AA	2SC3875S(ALY) NPN 5V 60V 50V
		Q402	OTR387500AA	2SC3875S(ALY) NPN 5V 60V 50V
		Q403	OTR387500AA	2SC3875S(ALY) NPN 5V 60V 50V
		Q404	OTR387500AA	2SC3875S(ALY) NPN 5V 60V 50V
		Q405	OTR102009AM	KRA102S PNP -30V - -50V -0.1
		Q406	OTR387500AA	2SC3875S(ALY) NPN 5V 60V 50V
		Q407	OTR387500AA	2SC3875S(ALY) NPN 5V 60V 50V
		Q408	OTR102009AM	KRA102S PNP -30V - -50V -0.1
		Q409	OTR387500AA	2SC3875S(ALY) NPN 5V 60V 50V
		Q410	OTR387500AA	2SC3875S(ALY) NPN 5V 60V 50V
		Q411	OTR387500AA	2SC3875S(ALY) NPN 5V 60V 50V
		Q412	OTR387500AA	2SC3875S(ALY) NPN 5V 60V 50V
		Q413	OTR387500AA	2SC3875S(ALY) NPN 5V 60V 50V
		Q700	OTR387500AA	2SC3875S(ALY) NPN 5V 60V 50V
		Q701	OTR387500AA	2SC3875S(ALY) NPN 5V 60V 50V
		Q702	OTR387500AA	2SC3875S(ALY) NPN 5V 60V 50V
RESISTORS				
		AR700	ORJ0222C687	FCA86TRJ22R0 220OHM 5% 1/16W
		AR701	ORJ0222C687	FCA86TRJ22R0 220OHM 5% 1/16W
		AR702	ORJ0222C687	FCA86TRJ22R0 220OHM 5% 1/16W
		AR703	ORJ0222C687	FCA86TRJ22R0 220OHM 5% 1/16W
		AR704	ORJ0222C687	FCA86TRJ22R0 220OHM 5% 1/16W
		AR705	ORJ0222C687	FCA86TRJ22R0 220OHM 5% 1/16W

DATE: 2006. 09. 13.				
*S	*AL	LOC. NO.	PART NO.	DESCRIPTION / SPECIFICATION
			AR806	ORRZVTA001B MNR14E0ABJ510 51OHM 5% 1/16W
			AR807	ORRZVTA001B MNR14E0ABJ510 51OHM 5% 1/16W
			AR808	ORRZVTA001B MNR14E0ABJ510 51OHM 5% 1/16W
			AR809	ORRZVTA001B MNR14E0ABJ510 51OHM 5% 1/16W
			AR810	ORRZVTA001B MNR14E0ABJ510 51OHM 5% 1/16W
			AR811	ORRZVTA001B MNR14E0ABJ510 51OHM 5% 1/16W
			AR812	ORRZVTA001B MNR14E0ABJ510 51OHM 5% 1/16W
			AR813	ORRZVTA001B MNR14E0ABJ510 51OHM 5% 1/16W
			AR814	ORRZVTA001B MNR14E0ABJ510 51OHM 5% 1/16W
			AR815	ORRZVTA001B MNR14E0ABJ510 51OHM 5% 1/16W
			AR816	ORRZVTA001B MNR14E0ABJ510 51OHM 5% 1/16W
			AR817	ORRZVTA001B MNR14E0ABJ510 51OHM 5% 1/16W
			C128	ORJ0000D677 MCR03EZPJ000 0OHM 5% 1/10W 1
			L600	ORJ0000D677 MCR03EZPJ000 0OHM 5% 1/10W 1
			L601	ORJ0000D677 MCR03EZPJ000 0OHM 5% 1/10W 1
			L602	ORJ0000D677 MCR03EZPJ000 0OHM 5% 1/10W 1
			L603	ORJ0000D677 MCR03EZPJ000 0OHM 5% 1/10W 1
			L605	ORJ0000D677 MCR03EZPJ000 0OHM 5% 1/10W 1
			R1	ORJ0000D677 MCR03EZPJ000 0OHM 5% 1/10W 1
			R10	ORJ0000D677 MCR03EZPJ000 0OHM 5% 1/10W 1
			R100	ORJ0752D677 MCR03EZPJ750 75OHM 5% 1/10W
			R1001	ORJ1002D677 MCR03EZPJ103 10KOHM 5% 1/10W
			R1003	ORJ1002D677 MCR03EZPJ103 10KOHM 5% 1/10W
			R1004	ORJ2002D677 MCR03EZPJ203 20KOHM 5% 1/10
			R1006	ORJ0000D677 MCR03EZPJ000 0OHM 5% 1/10W 1
			R1007	ORJ0000D677 MCR03EZPJ000 0OHM 5% 1/10W 1
			R1008	ORJ2000D677 MCR03EZPJ201 200OHM 5% 1/10W
			R1009	ORJ4701D677 MCR03EZPJ472 4.7KOHM 5% 1/10
			R101	ORJ0000D677 MCR03EZPJ000 0OHM 5% 1/10W 1
			R1010	ORJ1001D677 MCR03EZPJ102 1KOHM 5% 1/10W
			R1011	ORJ1001D677 MCR03EZPJ102 1KOHM 5% 1/10W
			R1012	ORJ1001D677 MCR03EZPJ102 1KOHM 5% 1/10W
			R1014	ORJ1002D677 MCR03EZPJ103 10KOHM 5% 1/10W
			R1015	ORJ1002D677 MCR03EZPJ103 10KOHM 5% 1/10W
			R1016	ORJ1002D677 MCR03EZPJ103 10KOHM 5% 1/10W
			R1017	ORJ1801D677 MCR03EZPJ182 1.8KOHM 5% 1/10
			R1018	ORJ1002D677 MCR03EZPJ103 10KOHM 5% 1/10W
			R1019	ORJ1002D677 MCR03EZPJ103 10KOHM 5% 1/10W
			R102	ORJ0752D677 MCR03EZPJ750 75OHM 5% 1/10W
			R1020	ORJ1001D677 MCR03EZPJ102 1KOHM 5% 1/10W
			R1021	ORJ1001D677 MCR03EZPJ102 1KOHM 5% 1/10W
			R1022	ORJ1001D677 MCR03EZPJ102 1KOHM 5% 1/10W
			R1023	ORJ1002D677 MCR03EZPJ103 10KOHM 5% 1/10W
			R103	ORJ0562D677 MCR03EZPJ560 560OHM 5% 1/10W
			R104	ORJ0752D677 MCR03EZPJ750 75OHM 5% 1/10W
			R105	ORJ0000D677 MCR03EZPJ000 0OHM 5% 1/10W 1
			R106	ORJ4702D677 MCR03EZPJ473 47KOHM 5% 1/10W
			R107	ORJ4701D677 MCR03EZPJ472 4.7KOHM 5% 1/10
			R108	ORJ0822D677 MCR03EZPJ820 82OHM 5% 1/10W
			R109	ORJ1002D677 MCR03EZPJ103 10KOHM 5% 1/10W
			R11	ORJ0000D677 MCR03EZPJ000 0OHM 5% 1/10W 1
			R110	ORJ3002D477 MCR03EZPF303 30KOHM 1% 1/10W
			R1101	ORJ1002D677 MCR03EZPJ103 10KOHM 5% 1/10W
			R1105	ORJ1201D677 MCR03EZPJ122 1.2KOHM 5% 1/10
			R1106	ORJ1002D677 MCR03EZPJ103 10KOHM 5% 1/10W
			R1107	ORJ1002D677 MCR03EZPJ103 10KOHM 5% 1/10W
			R1108	ORJ2002D677 MCR03EZPJ203 20KOHM 5% 1/10
			R1109	ORJ1002D677 MCR03EZPJ103 10KOHM 5% 1/10W
			R111	ORJ4702D677 MCR03EZPJ473 47KOHM 5% 1/10W
			R1110	ORJ1002D677 MCR03EZPJ103 10KOHM 5% 1/10W
			R1111	ORJ2002D677 MCR03EZPJ203 20KOHM 5% 1/10
			R1112	ORJ5101D677 MCR03EZPJ512 5.1KOHM 5% 1/10
			R1113	ORJ1801D677 MCR03EZPJ182 1.8KOHM 5% 1/10
			R1114	ORJ2201D677 MCR03EZPJ222 2.2KOHM 5% 1/10
			R112	ORJ0822D677 MCR03EZPJ820 82OHM 5% 1/10W
			R113	ORJ0822D677 MCR03EZPJ820 82OHM 5% 1/10W
			R114	ORJ0822D677 MCR03EZPJ820 82OHM 5% 1/10W
			R115	ORJ0822D677 MCR03EZPJ820 82OHM 5% 1/10W
			R116	ORJ0822D677 MCR03EZPJ820 82OHM 5% 1/10W
			R117	ORJ2203D677 MCR03EZPJ224 220KOHM 5% 1/10
			R119	ORJ2203D677 MCR03EZPJ224 220KOHM 5% 1/10
			R12	ORJ0000D677 MCR03EZPJ000 0OHM 5% 1/10W 1
			R1201	ORJ0000D677 MCR03EZPJ000 0OHM 5% 1/10W 1
			R1202	ORJ1001D677 MCR03EZPJ102 1KOHM 5% 1/10W

DATE: 2006. 09. 13.				
*S	*AL	LOC. NO.	PART NO.	DESCRIPTION / SPECIFICATION
		R1205	0RJ1000D677	MCR03EZPJ101 100OHM 5% 1/10W
		R1206	0RJ1000D677	MCR03EZPJ101 100OHM 5% 1/10W
		R1207	0RJ4702D677	MCR03EZPJ473 47KOHM 5% 1/10W
		R1208	0RJ4702D677	MCR03EZPJ473 47KOHM 5% 1/10W
		R121	0RJ2203D677	MCR03EZPJ224 220KOHM 5% 1/10
		R1211	0RJ1001D677	MCR03EZPJ102 1KOHM 5% 1/10W
		R1212	0RJ1000D677	MCR03EZPJ101 100OHM 5% 1/10W
		R1213	0RJ1000D677	MCR03EZPJ101 100OHM 5% 1/10W
		R1214	0RJ4701D477	MCR03EZPF472 4.7KOHM 1% 1/10
		R1216	0RJ1000D677	MCR03EZPJ101 100OHM 5% 1/10W
		R1217	0RJ1000D677	MCR03EZPJ101 100OHM 5% 1/10W
		R1218	0RJ0222D677	MCR03EZPJ220 220OHM 5% 1/10W
		R1219	0RJ0222D677	MCR03EZPJ220 220OHM 5% 1/10W
		R1220	0RJ0222D677	MCR03EZPJ220 220OHM 5% 1/10W
		R1221	0RJ0222D677	MCR03EZPJ220 220OHM 5% 1/10W
		R1222	0RJ0332D677	MCR03EZPJ330 330OHM 5% 1/10W
		R1223	0RJ1004D677	MCR03EZPF682 6.8KOHM 1% 1/10
		R1224	0RJ4701D477	MCR03EZPF472 4.7KOHM 1% 1/10
		R1225	0RJ1000D677	MCR03EZPJ101 100OHM 5% 1/10W
		R1226	0RJ0222D677	MCR03EZPJ220 220OHM 5% 1/10W
		R1227	0RJ0222D677	MCR03EZPJ220 220OHM 5% 1/10W
		R1228	0RJ0222D677	MCR03EZPJ220 220OHM 5% 1/10W
		R1229	0RJ0222D677	MCR03EZPJ220 220OHM 5% 1/10W
		R123	0RJ2203D677	MCR03EZPJ224 220KOHM 5% 1/10
		R1230	0RJ1002D677	MCR03EZPJ103 10KOHM 5% 1/10W
		R1232	0RJ1001D677	MCR03EZPJ102 1KOHM 5% 1/10W
		R1234	0RJ0000D677	MCR03EZPJ000 0OHM 5% 1/10W 1
		R1236	0RJ2001D677	MCR03EZPJ202 2KOHM 5% 1/10W
		R1238	0RJ1002D677	MCR03EZPJ103 10KOHM 5% 1/10W
		R1239	0RJ1002D677	MCR03EZPJ103 10KOHM 5% 1/10W
		R1240	0RJ1002D677	MCR03EZPJ103 10KOHM 5% 1/10W
		R1241	0RJ1002D677	MCR03EZPJ103 10KOHM 5% 1/10W
		R1242	0RJ0000D677	MCR03EZPJ000 0OHM 5% 1/10W 1
		R1243	0RJ0000D677	MCR03EZPJ000 0OHM 5% 1/10W 1
		R1244	0RJ0000D677	MCR03EZPJ000 0OHM 5% 1/10W 1
		R1245	0RJ0000D677	MCR03EZPJ000 0OHM 5% 1/10W 1
		R1246	0RJ0000D677	MCR03EZPJ000 0OHM 5% 1/10W 1
		R1247	0RJ0000D677	MCR03EZPJ000 0OHM 5% 1/10W 1
		R1248	0RJ0000D677	MCR03EZPJ000 0OHM 5% 1/10W 1
		R1249	0RJ0000D677	MCR03EZPJ000 0OHM 5% 1/10W 1
		R125	0RJ3002D477	MCR03EZPF303 30KOHM 1% 1/10W
		R126	0RJ2203D677	MCR03EZPJ224 220KOHM 5% 1/10
		R127	0RJ4703D677	MCR03EZPJ474 470KOHM 5% 1/10
		R128	0RJ2203D677	MCR03EZPJ224 220KOHM 5% 1/10
		R129	0RJ4703D677	MCR03EZPJ474 470KOHM 5% 1/10
		R13	0RJ0000D677	MCR03EZPJ000 0OHM 5% 1/10W 1
		R130	0RJ2203D677	MCR03EZPJ224 220KOHM 5% 1/10
		R131	0RJ4703D677	MCR03EZPJ474 470KOHM 5% 1/10
		R132	0RJ2203D677	MCR03EZPJ224 220KOHM 5% 1/10
		R133	0RJ4703D677	MCR03EZPJ474 470KOHM 5% 1/10
		R134	0RJ0752D677	MCR03EZPJ750 750OHM 5% 1/10W
		R135	0RJ1001D677	MCR03EZPJ102 1KOHM 5% 1/10W
		R136	0RJ1001D677	MCR03EZPJ102 1KOHM 5% 1/10W
		R137	0RJ1001D677	MCR03EZPJ102 1KOHM 5% 1/10W
		R138	0RJ1001D677	MCR03EZPJ102 1KOHM 5% 1/10W
		R139	0RJ0222D677	MCR03EZPJ220 220OHM 5% 1/10W
		R14	0RJ0000D677	MCR03EZPJ000 0OHM 5% 1/10W 1
		R140	0RJ1001D677	MCR03EZPJ102 1KOHM 5% 1/10W
		R141	0RJ1001D677	MCR03EZPJ102 1KOHM 5% 1/10W
		R142	0RJ0222D677	MCR03EZPJ220 220OHM 5% 1/10W
		R143	0RJ4701D677	MCR03EZPJ472 4.7KOHM 5% 1/10
		R1432	0RJ4703D677	MCR03EZPJ474 470KOHM 5% 1/10
		R1433	0RJ0000D677	MCR03EZPJ000 0OHM 5% 1/10W 1
		R1436	0RJ0000D677	MCR03EZPJ000 0OHM 5% 1/10W 1
		R144	0RJ6801D477	MCR03EZPF682 6.8KOHM 1% 1/10
		R1442	0RJ4703D677	MCR03EZPJ474 470KOHM 5% 1/10
		R1443	0RJ0000D677	MCR03EZPJ000 0OHM 5% 1/10W 1
		R1444	0RJ1000D677	MCR03EZPJ101 100OHM 5% 1/10W
		R1445	0RJ0222D677	MCR03EZPJ220 220OHM 5% 1/10W
		R1446	0RJ0222D677	MCR03EZPJ220 220OHM 5% 1/10W
		R1447	0RJ0000D677	MCR03EZPJ000 0OHM 5% 1/10W 1
		R1448	0RJ2001D677	MCR03EZPJ202 2KOHM 5% 1/10W
		R1449	0RJ2001D677	MCR03EZPJ202 2KOHM 5% 1/10W
		R145	0RJ0822D677	MCR03EZPJ820 820OHM 5% 1/10W

DATE: 2006. 09. 13.				
*S	*AL	LOC. NO.	PART NO.	DESCRIPTION / SPECIFICATION
		R1450	0RJ0222D677	MCR03EZPJ220 220OHM 5% 1/10W
		R1451	0RJ0102D677	MCR03EZPJ100 100OHM 5% 1/10W
		R1452	0RJ0102D677	MCR03EZPJ100 100OHM 5% 1/10W
		R1453	0RJ0102D677	MCR03EZPJ100 100OHM 5% 1/10W
		R1454	0RJ0102D677	MCR03EZPJ100 100OHM 5% 1/10W
		R1455	0RJ0102D677	MCR03EZPJ100 100OHM 5% 1/10W
		R1456	0RJ0102D677	MCR03EZPJ100 100OHM 5% 1/10W
		R1457	0RJ0102D677	MCR03EZPJ100 100OHM 5% 1/10W
		R1458	0RJ0102D677	MCR03EZPJ100 100OHM 5% 1/10W
		R1459	0RJ0392D677	MCR03EZPJ390 390OHM 5% 1/10W
		R146	0RJ4701D677	MCR03EZPJ472 4.7KOHM 5% 1/10
		R1460	0RJ0392D677	MCR03EZPJ390 390OHM 5% 1/10W
		R1461	0RJ0392D677	MCR03EZPJ390 390OHM 5% 1/10W
		R1462	0RJ0392D677	MCR03EZPJ390 390OHM 5% 1/10W
		R1463	0RJ0000D677	MCR03EZPJ000 0OHM 5% 1/10W 1
		R1464	0RJ0000D677	MCR03EZPJ000 0OHM 5% 1/10W 1
		R147	0RJ6801D477	MCR03EZPF682 6.8KOHM 1% 1/10
		R1470	0RJ4701D677	MCR03EZPJ472 4.7KOHM 5% 1/10
		R1471	0RJ6801D677	MCR03EZPJ682 6.8KOHM 5% 1/10
		R1472	0RJ4701D677	MCR03EZPJ472 4.7KOHM 5% 1/10
		R1473	0RJ6801D677	MCR03EZPJ682 6.8KOHM 5% 1/10
		R1474	0RJ0822D677	MCR03EZPJ820 820OHM 5% 1/10W
		R1475	0RJ4701D677	MCR03EZPJ472 4.7KOHM 5% 1/10
		R1476	0RJ6801D677	MCR03EZPJ682 6.8KOHM 5% 1/10
		R1477	0RJ0822D677	MCR03EZPJ820 820OHM 5% 1/10W
		R1478	0RJ0822D677	MCR03EZPJ820 820OHM 5% 1/10W
		R1479	0RJ2700D677	MCR03EZPJ271 270OHM 5% 1/10W
		R148	0RJ4701D677	MCR03EZPJ472 4.7KOHM 5% 1/10
		R1480	0RJ2700D677	MCR03EZPJ271 270OHM 5% 1/10W
		R1481	0RJ2700D677	MCR03EZPJ271 270OHM 5% 1/10W
		R1482	0RJ0822D677	MCR03EZPJ820 820OHM 5% 1/10W
		R1483	0RJ0822D677	MCR03EZPJ820 820OHM 5% 1/10W
		R1484	0RJ0822D677	MCR03EZPJ820 820OHM 5% 1/10W
		R149	0RJ6801D477	MCR03EZPF682 6.8KOHM 1% 1/10
		R15	0RJ0000D677	MCR03EZPJ000 0OHM 5% 1/10W 1
		R150	0RJ0822D677	MCR03EZPJ820 820OHM 5% 1/10W
		R151	0RJ2700D677	MCR03EZPJ271 270OHM 5% 1/10W
		R152	0RJ2700D677	MCR03EZPJ271 270OHM 5% 1/10W
		R153	0RJ0752D677	MCR03EZPJ750 750OHM 5% 1/10W
		R154	0RJ0752D677	MCR03EZPJ750 750OHM 5% 1/10W
		R155	0RJ0752D677	MCR03EZPJ750 750OHM 5% 1/10W
		R156	0RJ2203D677	MCR03EZPJ224 220KOHM 5% 1/10
		R157	0RJ2203D677	MCR03EZPJ224 220KOHM 5% 1/10
		R158	0RJ0752D677	MCR03EZPJ750 750OHM 5% 1/10W
		R159	0RJ0752D677	MCR03EZPJ750 750OHM 5% 1/10W
		R16	0RJ0000D677	MCR03EZPJ000 0OHM 5% 1/10W 1
		R160	0RJ0752D677	MCR03EZPJ750 750OHM 5% 1/10W
		R161	0RJ1001D677	MCR03EZPJ102 1KOHM 5% 1/10W
		R162	0RJ2203D677	MCR03EZPJ224 220KOHM 5% 1/10
		R163	0RJ2203D677	MCR03EZPJ224 220KOHM 5% 1/10
		R164	0RJ2203D677	MCR03EZPJ224 220KOHM 5% 1/10
		R165	0RJ1001D677	MCR03EZPJ102 1KOHM 5% 1/10W
		R166	0RJ1001D677	MCR03EZPJ102 1KOHM 5% 1/10W
		R167	0RJ0822D677	MCR03EZPJ820 820OHM 5% 1/10W
		R168	0RJ2203D677	MCR03EZPJ224 220KOHM 5% 1/10
		R169	0RJ1001D677	MCR03EZPJ102 1KOHM 5% 1/10W
		R17	0RJ0000D677	MCR03EZPJ000 0OHM 5% 1/10W 1
		R170	0RJ0822D677	MCR03EZPJ820 820OHM 5% 1/10W
		R1700	0RJ0822D677	MCR03EZPJ820 820OHM 5% 1/10W
		R1701	0RJ0822D677	MCR03EZPJ820 820OHM 5% 1/10W
		R1707	0RJ0000D677	MCR03EZPJ000 0OHM 5% 1/10W 1
		R1708	0RJ1001D677	MCR03EZPJ102 1KOHM 5% 1/10W
		R171	0RJ0000D677	MCR03EZPJ000 0OHM 5% 1/10W 1
		R1712	0RJ4701D677	MCR03EZPJ472 4.7KOHM 5% 1/10
		R172	0RJ1002D677	MCR03EZPJ103 10KOHM 5% 1/10W
		R174	0RJ0752D677	MCR03EZPJ750 750OHM 5% 1/10W
		R175	0RJ0822D677	MCR03EZPJ820 820OHM 5% 1/10W
		R176	0RJ0000D677	MCR03EZPJ000 0OHM 5% 1/10W 1
		R177	0RJ0000D677	MCR03EZPJ000 0OHM 5% 1/10W 1
		R178	0RJ2001D677	MCR03EZPJ202 2KOHM 5% 1/10W
		R179	0RJ2001D677	MCR03EZPJ202 2KOHM 5% 1/10W
		R18	0RJ0000D677	MCR03EZPJ000 0OHM 5% 1/10W 1
		R180	0RJ0000D677	MCR03EZPJ000 0OHM 5% 1/10W 1
		R181	0RJ6801D477	MCR03EZPF682 6.8KOHM 1% 1/10

DATE: 2006. 09. 13.				
*S	*AL	LOC. NO.	PART NO.	DESCRIPTION / SPECIFICATION
			R1817	0RJ0000D677 MCR03EZPJ000 0OHM 5% 1/10W 1
			R1818	0RJ0000D677 MCR03EZPJ000 0OHM 5% 1/10W 1
			R1819	0RJ0512D677 MCR03EZPJ510 51OHM 5% 1/10W
			R182	0RJ4701D677 MCR03EZPJ472 4.7KOHM 5% 1/10
			R1821	0RJ0512D677 MCR03EZPJ510 51OHM 5% 1/10W
			R1822	0RJ0512D677 MCR03EZPJ510 51OHM 5% 1/10W
			R1823	0RJ0512D677 MCR03EZPJ510 51OHM 5% 1/10W
			R1824	0RJ0512D677 MCR03EZPJ510 51OHM 5% 1/10W
			R1825	0RJ0512D677 MCR03EZPJ510 51OHM 5% 1/10W
			R1826	0RJ0512D677 MCR03EZPJ510 51OHM 5% 1/10W
			R1827	0RJ0512D677 MCR03EZPJ510 51OHM 5% 1/10W
			R1828	0RJ0512D677 MCR03EZPJ510 51OHM 5% 1/10W
			R1829	0RJ0512D677 MCR03EZPJ510 51OHM 5% 1/10W
			R183	0RJ0822D677 MCR03EZPJ820 82OHM 5% 1/10W
			R1830	0RJ0512D677 MCR03EZPJ510 51OHM 5% 1/10W
			R1831	0RJ0512D677 MCR03EZPJ510 51OHM 5% 1/10W
			R184	0RJ2700D677 MCR03EZPJ271 270OHM 5% 1/10W
			R185	0RJ2700D677 MCR03EZPJ271 270OHM 5% 1/10W
			R1856	0RJ1002D677 MCR03EZPJ103 10KOHM 5% 1/10W
			R1857	0RJ1002D677 MCR03EZPJ103 10KOHM 5% 1/10W
			R186	0RJ0822D677 MCR03EZPJ820 82OHM 5% 1/10W
			R1862	0RJ1002D677 MCR03EZPJ103 10KOHM 5% 1/10W
			R1863	0RJ1002D677 MCR03EZPJ103 10KOHM 5% 1/10W
			R1864	0RJ1002D677 MCR03EZPJ103 10KOHM 5% 1/10W
			R1865	0RJ1002D677 MCR03EZPJ103 10KOHM 5% 1/10W
			R1866	0RJ1002D677 MCR03EZPJ103 10KOHM 5% 1/10W
			R1867	0RJ1002D677 MCR03EZPJ103 10KOHM 5% 1/10W
			R187	0RJ0822D677 MCR03EZPJ820 82OHM 5% 1/10W
			R1874	0RJ1002D677 MCR03EZPJ103 10KOHM 5% 1/10W
			R1875	0RJ1002D677 MCR03EZPJ103 10KOHM 5% 1/10W
			R1879	0RJ1002D677 MCR03EZPJ103 10KOHM 5% 1/10W
			R188	0RJ0822D677 MCR03EZPJ820 82OHM 5% 1/10W
			R1880	0RJ1002D677 MCR03EZPJ103 10KOHM 5% 1/10W
			R1881	0RJ0222D677 MCR03EZPJ220 22OHM 5% 1/10W
			R1882	0RJ0222D677 MCR03EZPJ220 22OHM 5% 1/10W
			R1883	0RJ0000D677 MCR03EZPJ000 0OHM 5% 1/10W 1
			R189	0RJ1002D677 MCR03EZPJ103 10KOHM 5% 1/10W
			R1892	0RJ0102D677 MCR03EZPJ100 10OHM 5% 1/10W
			R1893	0RJ1002D677 MCR03EZPJ103 10KOHM 5% 1/10W
			R1894	0RJ1002D677 MCR03EZPJ103 10KOHM 5% 1/10W
			R19	0RJ0000D677 MCR03EZPJ000 0OHM 5% 1/10W 1
			R190	0RJ0000D677 MCR03EZPJ000 0OHM 5% 1/10W 1
			R1900	0RJ0000D677 MCR03EZPJ000 0OHM 5% 1/10W 1
			R1906	0RJ2200D677 MCR03EZPJ221 220OHM 5% 1/10W
			R1907	0RJ1000D677 MCR03EZPJ101 100OHM 5% 1/10W
			R191	0RJ1001D677 MCR03EZPJ102 1KOHM 5% 1/10W
			R1911	0RJ1000D677 MCR03EZPJ101 100OHM 5% 1/10W
			R1912	0RJ1002D677 MCR03EZPJ103 10KOHM 5% 1/10W
			R1913	0RJ0000D677 MCR03EZPJ000 0OHM 5% 1/10W 1
			R1914	0RJ1001D677 MCR03EZPJ102 1KOHM 5% 1/10W
			R1915	0RJ0222D677 MCR03EZPJ220 22OHM 5% 1/10W
			R1916	0RJ1001D677 MCR03EZPJ102 1KOHM 5% 1/10W
			R1917	0RJ4701D677 MCR03EZPJ472 4.7KOHM 5% 1/10
			R192	0RJ0000D677 MCR03EZPJ000 0OHM 5% 1/10W 1
			R1920	0RJ4701D677 MCR03EZPJ472 4.7KOHM 5% 1/10
			R1921	0RJ4701D677 MCR03EZPJ472 4.7KOHM 5% 1/10
			R1922	0RJ0000D677 MCR03EZPJ000 0OHM 5% 1/10W 1
			R1924	0RJ0000D677 MCR03EZPJ000 0OHM 5% 1/10W 1
			R1925	0RJ0000D677 MCR03EZPJ000 0OHM 5% 1/10W 1
			R193	0RJ0000D677 MCR03EZPJ000 0OHM 5% 1/10W 1
			R1936	0RJ1001D677 MCR03EZPJ102 1KOHM 5% 1/10W
			R1937	0RJ1001D677 MCR03EZPJ102 1KOHM 5% 1/10W
			R1938	0RJ1002D677 MCR03EZPJ103 10KOHM 5% 1/10W
			R1939	0RJ1002D677 MCR03EZPJ103 10KOHM 5% 1/10W
			R194	0RJ3001D677 MCR03EZPJ302 3KOHM 5% 1/10W
			R1941	0RJ0000D677 MCR03EZPJ000 0OHM 5% 1/10W 1
			R195	0RJ2700D677 MCR03EZPJ271 270OHM 5% 1/10W
			R1950	0RJ0000G676 MCR18EZHJ000_ 0OHM 5% 1/4W 3
			R1951	0RJ0000G676 MCR18EZHJ000_ 0OHM 5% 1/4W 3
			R1957	0RJ0000D677 MCR03EZPJ000 0OHM 5% 1/10W 1
			R196	0RJ0822D677 MCR03EZPJ820 82OHM 5% 1/10W
			R1961	0RJ0000D677 MCR03EZPJ000 0OHM 5% 1/10W 1

DATE: 2006. 09. 13.				
*S	*AL	LOC. NO.	PART NO.	DESCRIPTION / SPECIFICATION
			R1964	0RJ0222D677 MCR03EZPJ220 22OHM 5% 1/10W
			R1965	0RJ0222D677 MCR03EZPJ220 22OHM 5% 1/10W
			R1967	0RJ4701D677 MCR03EZPJ472 4.7KOHM 5% 1/10
			R197	0RJ1001D677 MCR03EZPJ102 1KOHM 5% 1/10W
			R198	0RJ1001D677 MCR03EZPJ102 1KOHM 5% 1/10W
			R199	0RJ0822D677 MCR03EZPJ820 82OHM 5% 1/10W
			R2	0RJ0000D677 MCR03EZPJ000 0OHM 5% 1/10W 1
			R20	0RJ0000D677 MCR03EZPJ000 0OHM 5% 1/10W 1
			R200	0RJ0000D677 MCR03EZPJ000 0OHM 5% 1/10W 1
			R202	0RJ1002D677 MCR03EZPJ103 10KOHM 5% 1/10W
			R203	0RJ0000D677 MCR03EZPJ000 0OHM 5% 1/10W 1
			R204	0RJ0000D677 MCR03EZPJ000 0OHM 5% 1/10W 1
			R205	0RJ0000D677 MCR03EZPJ000 0OHM 5% 1/10W 1
			R206	0RJ2200D677 MCR03EZPJ221 220OHM 5% 1/10W
			R207	0RJ2200D677 MCR03EZPJ221 220OHM 5% 1/10W
			R208	0RJ1002D677 MCR03EZPJ103 10KOHM 5% 1/10W
			R209	0RJ0222D677 MCR03EZPJ220 22OHM 5% 1/10W
			R210	0RJ1001D677 MCR03EZPJ102 1KOHM 5% 1/10W
			R211	0RJ0000D677 MCR03EZPJ000 0OHM 5% 1/10W 1
			R212	0RJ1002D677 MCR03EZPJ103 10KOHM 5% 1/10W
			R213	0RJ2201D677 MCR03EZPJ222 2.2KOHM 5% 1/10
			R214	0RJ0102D677 MCR03EZPJ100 10OHM 5% 1/10W
			R216	0RJ2200D677 MCR03EZPJ221 220OHM 5% 1/10W
			R217	0RJ2200D677 MCR03EZPJ221 220OHM 5% 1/10W
			R218	0RJ4701D677 MCR03EZPJ472 4.7KOHM 5% 1/10
			R219	0RJ4700D677 MCR03EZPJ471 470OHM 5% 1/10W
			R220	0RJ0822D677 MCR03EZPJ820 82OHM 5% 1/10W
			R221	0RJ0000D677 MCR03EZPJ000 0OHM 5% 1/10W 1
			R222	0RJ1002D677 MCR03EZPJ103 10KOHM 5% 1/10W
			R223	0RJ1001D677 MCR03EZPJ102 1KOHM 5% 1/10W
			R224	0RJ1001D677 MCR03EZPJ102 1KOHM 5% 1/10W
			R225	0RJ0000D677 MCR03EZPJ000 0OHM 5% 1/10W 1
			R226	0RJ1000D677 MCR03EZPJ101 100OHM 5% 1/10W
			R227	0RJ2700D677 MCR03EZPJ271 270OHM 5% 1/10W
			R228	0RJ2200D677 MCR03EZPJ221 220OHM 5% 1/10W
			R229	0RJ1001D677 MCR03EZPJ102 1KOHM 5% 1/10W
			R230	0RD0331H609 RD-92T1J3R30 3.3OHM 5% 1/2W
			R231	0RJ1800D677 MCR03EZPJ181 180OHM 5% 1/10W
			R232	0RJ5602D677 MCR03EZPJ563 56KOHM 5% 1/10W
			R233	0RJ2201D677 MCR03EZPJ222 2.2KOHM 5% 1/10
			R234	0RJ1500D677 MCR03EZPJ151 150OHM 5% 1/10W
			R235	0RJ2000D677 MCR03EZPJ201 200OHM 5% 1/10W
			R236	0RJ1001D677 MCR03EZPJ102 1KOHM 5% 1/10W
			R237	0RJ4701D677 MCR03EZPJ472 4.7KOHM 5% 1/10
			R238	0RJ4701D677 MCR03EZPJ472 4.7KOHM 5% 1/10
			R239	0RJ1002D677 MCR03EZPJ103 10KOHM 5% 1/10W
			R240	0RJ4701D677 MCR03EZPJ472 4.7KOHM 5% 1/10
			R241	0RJ4700D677 MCR03EZPJ471 470OHM 5% 1/10W
			R242	0RJ0822D677 MCR03EZPJ820 82OHM 5% 1/10W
			R243	0RJ2700D677 MCR03EZPJ271 270OHM 5% 1/10W
			R244	0RJ1002D677 MCR03EZPJ103 10KOHM 5% 1/10W
			R245	0RJ2201D477 MCR03EZPJ222 2.2KOHM 1% 1/10
			R3	0RJ0000D677 MCR03EZPJ000 0OHM 5% 1/10W 1
			R300	0RJ1000D677 MCR03EZPJ101 100OHM 5% 1/10W
			R301	0RJ1000D677 MCR03EZPJ101 100OHM 5% 1/10W
			R302	0RJ0000D677 MCR03EZPJ000 0OHM 5% 1/10W 1
			R303	0RJ0000D677 MCR03EZPJ000 0OHM 5% 1/10W 1
			R304	0RJ0000D677 MCR03EZPJ000 0OHM 5% 1/10W 1
			R305	0RJ1002D677 MCR03EZPJ103 10KOHM 5% 1/10W
			R306	0RJ1000D677 MCR03EZPJ101 100OHM 5% 1/10W
			R307	0RJ3300D677 MCR03EZPJ331 330OHM 5% 1/10W
			R308	0RJ0000D677 MCR03EZPJ000 0OHM 5% 1/10W 1
			R309	0RJ0000D677 MCR03EZPJ000 0OHM 5% 1/10W 1
			R310	0RJ1000D677 MCR03EZPJ101 100OHM 5% 1/10W
			R311	0RJ2200D677 MCR03EZPJ221 220OHM 5% 1/10W
			R312	0RJ2200D677 MCR03EZPJ221 220OHM 5% 1/10W
			R313	0RJ2200D677 MCR03EZPJ221 220OHM 5% 1/10W
			R314	0RJ2200D677 MCR03EZPJ221 220OHM 5% 1/10W
			R315	0RJ1000D677 MCR03EZPJ101 100OHM 5% 1/10W
			R316	0RJ1000D677 MCR03EZPJ101 100OHM 5% 1/10W
			R317	0RJ1001D677 MCR03EZPJ102 1KOHM 5% 1/10W
			R318	0RJ1001D677 MCR03EZPJ102 1KOHM 5% 1/10W
			R319	0RJ0000D677 MCR03EZPJ000 0OHM 5% 1/10W 1
			R320	0RJ2200D677 MCR03EZPJ221 220OHM 5% 1/10W

DATE: 2006. 09. 13.				
*S	*AL	LOC. NO.	PART NO.	DESCRIPTION / SPECIFICATION
		R321	0RJ2200D677	MCR03EZPJ221 220OHM 5% 1/10W
		R322	0RJ1000D677	MCR03EZPJ101 100OHM 5% 1/10W
		R323	0RJ0000D677	MCR03EZPJ000 0OHM 5% 1/10W 1
		R324	0RJ1000D677	MCR03EZPJ101 100OHM 5% 1/10W
		R326	0RJ1000D677	MCR03EZPJ101 100OHM 5% 1/10W
		R327	0RJ0000D677	MCR03EZPJ000 0OHM 5% 1/10W 1
		R328	0RJ2200D677	MCR03EZPJ221 220OHM 5% 1/10W
		R329	0RJ2200D677	MCR03EZPJ221 220OHM 5% 1/10W
		R330	0RJ1000D677	MCR03EZPJ101 100OHM 5% 1/10W
		R331	0RJ1201D677	MCR03EZPJ122 1.2KOHM 5% 1/10
		R332	0RJ1201D677	MCR03EZPJ122 1.2KOHM 5% 1/10
		R333	0RJ1000D677	MCR03EZPJ101 100OHM 5% 1/10W
		R334	0RJ1000D677	MCR03EZPJ101 100OHM 5% 1/10W
		R335	0RJ1003D677	MCR03EZPJ104 100KOHM 5% 1/10
		R336	0RJ1000D677	MCR03EZPJ101 100OHM 5% 1/10W
		R337	0RJ1000D677	MCR03EZPJ101 100OHM 5% 1/10W
		R338	0RJ1201D677	MCR03EZPJ122 1.2KOHM 5% 1/10
		R339	0RJ1000D677	MCR03EZPJ101 100OHM 5% 1/10W
		R340	0RJ1201D677	MCR03EZPJ122 1.2KOHM 5% 1/10
		R341	0RJ1000D677	MCR03EZPJ101 100OHM 5% 1/10W
		R342	0RJ1001D677	MCR03EZPJ102 1KOHM 5% 1/10W
		R343	0RJ1001D677	MCR03EZPJ102 1KOHM 5% 1/10W
		R344	0RJ1201D677	MCR03EZPJ122 1.2KOHM 5% 1/10
		R345	0RJ1201D677	MCR03EZPJ122 1.2KOHM 5% 1/10
		R346	0RJ1000D677	MCR03EZPJ101 100OHM 5% 1/10W
		R347	0RJ1201D677	MCR03EZPJ122 1.2KOHM 5% 1/10
		R348	0RJ1201D677	MCR03EZPJ122 1.2KOHM 5% 1/10
		R349	0RJ1000D677	MCR03EZPJ101 100OHM 5% 1/10W
		R350	0RJ1000D677	MCR03EZPJ101 100OHM 5% 1/10W
		R351	0RJ1000D677	MCR03EZPJ101 100OHM 5% 1/10W
		R352	0RJ1000D677	MCR03EZPJ101 100OHM 5% 1/10W
		R353	0RJ1000D677	MCR03EZPJ101 100OHM 5% 1/10W
		R354	0RJ1000D677	MCR03EZPJ101 100OHM 5% 1/10W
		R355	0RJ0000D677	MCR03EZPJ000 0OHM 5% 1/10W 1
		R356	0RJ2200D677	MCR03EZPJ221 220OHM 5% 1/10W
		R357	0RJ1500D677	MCR03EZPJ151 150OHM 5% 1/10W
		R358	0RJ2200D677	MCR03EZPJ221 220OHM 5% 1/10W
		R359	0RJ1800D677	MCR03EZPJ181 180OHM 5% 1/10W
		R360	0RJ1201D677	MCR03EZPJ122 1.2KOHM 5% 1/10
		R361	0RJ1201D677	MCR03EZPJ122 1.2KOHM 5% 1/10
		R364	0RJ1000D677	MCR03EZPJ101 100OHM 5% 1/10W
		R367	0RJ1000D677	MCR03EZPJ101 100OHM 5% 1/10W
		R368	0RJ2200D677	MCR03EZPJ221 220OHM 5% 1/10W
		R369	0RJ2200D677	MCR03EZPJ221 220OHM 5% 1/10W
		R370	0RJ0472D677	MCR03EZPJ470 470OHM 5% 1/10W
		R371	0RJ5600D677	MCR03EZPJ561 560OHM 5% 1/10W
		R372	0RJ0000D677	MCR03EZPJ000 0OHM 5% 1/10W 1
		R373	0RJ3901D677	MCR03EZPJ392 3.9KOHM 5% 1/10
		R374	0RJ3303D677	MCR03EZPJ334 330KOHM 5% 1/10
		R375	0RJ1000D677	MCR03EZPJ101 100OHM 5% 1/10W
		R376	0RJ1000D677	MCR03EZPJ101 100OHM 5% 1/10W
		R377	0RJ0752D677	MCR03EZPJ750 750OHM 5% 1/10W
		R378	0RJ0752D677	MCR03EZPJ750 750OHM 5% 1/10W
		R379	0RJ4703D677	MCR03EZPJ474 470KOHM 5% 1/10
		R380	0RJ1001D677	MCR03EZPJ102 1KOHM 5% 1/10W
		R381	0RJ1001D677	MCR03EZPJ102 1KOHM 5% 1/10W
		R382	0RJ4703D677	MCR03EZPJ474 470KOHM 5% 1/10
		R383	0RJ0752D677	MCR03EZPJ750 750OHM 5% 1/10W
		R389	0RJ1003D677	MCR03EZPJ104 100KOHM 5% 1/10
		R390	0RJ1000D677	MCR03EZPJ101 100OHM 5% 1/10W
		R391	0RJ0000D677	MCR03EZPJ000 0OHM 5% 1/10W 1
		R392	0RJ0000D677	MCR03EZPJ000 0OHM 5% 1/10W 1
		R4	0RJ0000D677	MCR03EZPJ000 0OHM 5% 1/10W 1
		R400	0RJ6202D677	MCR03EZPJ623 62KOHM 5% 1/10W
		R401	0RJ2402D677	MCR03EZPJ243 24KOHM 5% 1/10W
		R402	0RJ6202D677	MCR03EZPJ623 62KOHM 5% 1/10W
		R403	0RJ2402D677	MCR03EZPJ243 24KOHM 5% 1/10W
		R404	0RJ1501D677	MCR03EZPJ152 1.5KOHM 5% 1/10
		R405	0RJ4700D677	MCR03EZPJ471 470OHM 5% 1/10W
		R407	0RJ0432D677	MCR03EZPJ430 430OHM 5% 1/10W
		R408	0RJ4701D677	MCR03EZPJ472 4.7KOHM 5% 1/10
		R409	0RJ4701D677	MCR03EZPJ472 4.7KOHM 5% 1/10
		R410	0RJ1501D677	MCR03EZPJ152 1.5KOHM 5% 1/10
		R411	0RJ4700D677	MCR03EZPJ471 470OHM 5% 1/10W

DATE: 2006. 09. 13.				
*S	*AL	LOC. NO.	PART NO.	DESCRIPTION / SPECIFICATION
		R412	0RJ0432D677	MCR03EZPJ430 430OHM 5% 1/10W
		R413	0RJ0432D677	MCR03EZPJ430 430OHM 5% 1/10W
		R414	0RJ1000D677	MCR03EZPJ101 100OHM 5% 1/10W
		R415	0RJ1000D677	MCR03EZPJ101 100OHM 5% 1/10W
		R416	0RJ0432D677	MCR03EZPJ430 430OHM 5% 1/10W
		R418	0RJ1000D677	MCR03EZPJ101 100OHM 5% 1/10W
		R419	0RJ1000D677	MCR03EZPJ101 100OHM 5% 1/10W
		R420	0RJ1000D677	MCR03EZPJ101 100OHM 5% 1/10W
		R421	0RJ1000D677	MCR03EZPJ101 100OHM 5% 1/10W
		R422	0RJ0000D677	MCR03EZPJ000 0OHM 5% 1/10W 1
		R423	0RJ1000D677	MCR03EZPJ101 100OHM 5% 1/10W
		R424	0RJ1000D677	MCR03EZPJ101 100OHM 5% 1/10W
		R425	0RJ1001D677	MCR03EZPJ102 1KOHM 5% 1/10W
		R426	0RJ0222D677	MCR03EZPJ220 220OHM 5% 1/10W
		R427	0RJ0222D677	MCR03EZPJ220 220OHM 5% 1/10W
		R428	0RJ1001D677	MCR03EZPJ102 1KOHM 5% 1/10W
		R429	0RJ0222D677	MCR03EZPJ220 220OHM 5% 1/10W
		R430	0RJ0000D677	MCR03EZPJ000 0OHM 5% 1/10W 1
		R431	0RJ4701D677	MCR03EZPJ472 4.7KOHM 5% 1/10
		R432	0RJ4701D677	MCR03EZPJ472 4.7KOHM 5% 1/10
		R433	0RJ4703D677	MCR03EZPJ392 3.9KOHM 5% 1/10
		R434	0RJ4703D677	MCR03EZPJ474 470KOHM 5% 1/10
		R435	0RJ1501D677	MCR03EZPJ152 1.5KOHM 5% 1/10
		R436	0RJ1501D677	MCR03EZPJ152 1.5KOHM 5% 1/10
		R437	0RJ1000D677	MCR03EZPJ101 100OHM 5% 1/10W
		R438	0RJ1000D677	MCR03EZPJ101 100OHM 5% 1/10W
		R439	0RJ3901D677	MCR03EZPJ392 3.9KOHM 5% 1/10
		R442	0RJ1001D677	MCR03EZPJ102 1KOHM 5% 1/10W
		R443	0RJ1001D677	MCR03EZPJ102 1KOHM 5% 1/10W
		R449	0RJ4701D677	MCR03EZPJ472 4.7KOHM 5% 1/10
		R455	0RJ4701D677	MCR03EZPJ472 4.7KOHM 5% 1/10
		R456	0RJ0000D677	MCR03EZPJ000 0OHM 5% 1/10W 1
		R457	0RJ0000D677	MCR03EZPJ000 0OHM 5% 1/10W 1
		R458	0RJ2001D677	MCR03EZPJ202 2KOHM 5% 1/10W
		R459	0RJ2001D677	MCR03EZPJ202 2KOHM 5% 1/10W
		R460	0RJ4703D677	MCR03EZPJ474 470KOHM 5% 1/10
		R461	0RJ4703D677	MCR03EZPJ474 470KOHM 5% 1/10
		R471	0RJ1501D677	MCR03EZPJ152 1.5KOHM 5% 1/10
		R472	0RJ1501D677	MCR03EZPJ152 1.5KOHM 5% 1/10
		R473	0RJ0000D677	MCR03EZPJ000 0OHM 5% 1/10W 1
		R479	0RJ2001D677	MCR03EZPJ202 2KOHM 5% 1/10W
		R480	0RJ0000D677	MCR03EZPJ000 0OHM 5% 1/10W 1
		R481	0RJ0000D677	MCR03EZPJ000 0OHM 5% 1/10W 1
		R483	0RJ0000D677	MCR03EZPJ000 0OHM 5% 1/10W 1
		R484	0RJ2001D677	MCR03EZPJ202 2KOHM 5% 1/10W
		R489	0RJ0000D677	MCR03EZPJ000 0OHM 5% 1/10W 1
		R495	0RJ1001D677	MCR03EZPJ102 1KOHM 5% 1/10W
		R496	0RJ1001D677	MCR03EZPJ102 1KOHM 5% 1/10W
		R497	0RJ4701D677	MCR03EZPJ472 4.7KOHM 5% 1/10
		R498	0RJ4701D677	MCR03EZPJ472 4.7KOHM 5% 1/10
		R5	0RJ0000D677	MCR03EZPJ000 0OHM 5% 1/10W 1
		R500	0RJ0752D677	MCR03EZPJ750 750OHM 5% 1/10W
		R501	0RJ2203D677	MCR03EZPJ224 220KOHM 5% 1/10
		R502	0RJ0752D677	MCR03EZPJ750 750OHM 5% 1/10W
		R503	0RJ2203D677	MCR03EZPJ224 220KOHM 5% 1/10
		R504	0RJ0752D677	MCR03EZPJ750 750OHM 5% 1/10W
		R505	0RJ1001D677	MCR03EZPJ102 1KOHM 5% 1/10W
		R506	0RJ1001D677	MCR03EZPJ102 1KOHM 5% 1/10W
		R508	0RJ4701D677	MCR03EZPJ472 4.7KOHM 5% 1/10
		R509	0RJ4701D677	MCR03EZPJ472 4.7KOHM 5% 1/10
		R510	0RJ0000D677	MCR03EZPJ000 0OHM 5% 1/10W 1
		R511	0RJ0332D677	MCR03EZPJ330 330OHM 5% 1/10W
		R512	0RJ0000D677	MCR03EZPJ000 0OHM 5% 1/10W 1
		R513	0RJ0000D677	MCR03EZPJ000 0OHM 5% 1/10W 1
		R514	0RJ0000D677	MCR03EZPJ000 0OHM 5% 1/10W 1
		R515	0RJ0000D677	MCR03EZPJ000 0OHM 5% 1/10W 1
		R516	0RJ0332D677	MCR03EZPJ330 330OHM 5% 1/10W
		R519	0RJ0000D677	MCR03EZPJ000 0OHM 5% 1/10W 1
		R520	0RJ0000D677	MCR03EZPJ000 0OHM 5% 1/10W 1
		R521	0RJ0000D677	MCR03EZPJ000 0OHM 5% 1/10W 1
		R524	0RJ1001D677	MCR03EZPJ102 1KOHM 5% 1/10W
		R525	0RJ1000D677	MCR03EZPJ101 100OHM 5% 1/10W
		R526	0RJ1000D677	MCR03EZPJ101 100OHM 5% 1/10W
		R528	0RJ1002D677	MCR03EZPJ103 10KOHM 5% 1/10W

CE35 0CE107WF6DC MVK6.3TP16VC100M 100uF 20% 1
 CE36 0CE107WF6DC MVK6.3TP16VC100M 100uF 20% 1
 CE37 0CE476WF6DC MVK6.3TP16VC47M 47uF 20% 16V
 CE38 0CE227WF6DC MVK8.0TP16VC220M 220uF 20% 1

DATE: 2006. 09. 13.				
*S	*AL	LOC. NO.	PART NO.	DESCRIPTION / SPECIFICATION
		R858	0RJ0222D677	MCR03EZPJ220 220OHM 5% 1/10W
		R862	0RJ0000D677	MCR03EZPJ000 0OHM 5% 1/10W 1
		R886	0RJ0222D677	MCR03EZPJ220 220OHM 5% 1/10W
		R887	0RJ0222D677	MCR03EZPJ220 220OHM 5% 1/10W
		R888	0RJ0222D677	MCR03EZPJ220 220OHM 5% 1/10W
		R889	0RJ0222D677	MCR03EZPJ220 220OHM 5% 1/10W
		R890	0RJ0000D677	MCR03EZPJ000 0OHM 5% 1/10W 1
		R891	0RJ0000D677	MCR03EZPJ000 0OHM 5% 1/10W 1
		R897	0RJ0222D677	MCR03EZPJ220 220OHM 5% 1/10W
		R898	0RJ0222D677	MCR03EZPJ220 220OHM 5% 1/10W
		R9	0RJ0000D677	MCR03EZPJ000 0OHM 5% 1/10W 1
		R915	0RJ1002D677	MCR03EZPJ103 10KOHM 5% 1/10W
		R917	0RJ1002D677	MCR03EZPJ103 10KOHM 5% 1/10W
		R919	0RJ0222D677	MCR03EZPJ220 220OHM 5% 1/10W
		R920	0RJ0000D677	MCR03EZPJ000 0OHM 5% 1/10W 1
		R921	0RJ0000D677	MCR03EZPJ000 0OHM 5% 1/10W 1
		R922	0RJ0000D677	MCR03EZPJ000 0OHM 5% 1/10W 1
		R924	0RJ0000D677	MCR03EZPJ000 0OHM 5% 1/10W 1
		R925	0RJ0000D677	MCR03EZPJ000 0OHM 5% 1/10W 1
		R926	0RJ0222D677	MCR03EZPJ220 220OHM 5% 1/10W
		R927	0RJ0222D677	MCR03EZPJ220 220OHM 5% 1/10W
		R929	0RJ0000D677	MCR03EZPJ000 0OHM 5% 1/10W 1
		R930	0RJ0000D677	MCR03EZPJ000 0OHM 5% 1/10W 1
		R931	0RJ0000D677	MCR03EZPJ000 0OHM 5% 1/10W 1
		R932	0RJ0000D677	MCR03EZPJ000 0OHM 5% 1/10W 1
		R934	0RJ1002D677	MCR03EZPJ103 10KOHM 5% 1/10W
		R935	0RJ1002D677	MCR03EZPJ103 10KOHM 5% 1/10W
		R936	0RJ2700D677	MCR03EZPJ271 270OHM 5% 1/10W
		R937	0RJ2700D677	MCR03EZPJ271 270OHM 5% 1/10W
OTHERS				
		D1003	0DL233309AC	SAM2333 RED/Y-GREEN 2.7V 2.8
		D1103	0DL233309AC	SAM2333 RED/Y-GREEN 2.7V 2.8
		D1111	0DL233309AC	SAM2333 RED/Y-GREEN 2.7V 2.8
		D1112	0DL233309AC	SAM2333 RED/Y-GREEN 2.7V 2.8
		D1113	0DL233309AC	SAM2333 RED/Y-GREEN 2.7V 2.8
		IC603	01PRPNS054A	LM75CIMX-3 3TO5.5V SOP R/TP
		SW700	EBF32593901	TMUE312GAB 1C1P 12VDC 0.5A V
		SW800	EBF32593901	TMUE312GAB 1C1P 12VDC 0.5A V
		TU206	6700MF0012A	TAUM-W101P NTSC M/N_PAL B/G+
		TU207	6700MF0012C	TAUM-W103P NTSC M/N_PAL B/G+
		X300	166-E02F	CSBLA500KECF09-B0 500KHZ 2K
MAIN BOARD 2				
		CE1	0CE476WF6DC	MVK6.3TP16VC47M 47uF 20% 16V
		CE10	0CE476WF6DC	MVK6.3TP16VC47M 47uF 20% 16V
		CE11	0CE476WF6DC	MVK6.3TP16VC47M 47uF 20% 16V
		CE12	0CE476WF6DC	MVK6.3TP16VC47M 47uF 20% 16V
		CE13	0CE476WF6DC	MVK6.3TP16VC47M 47uF 20% 16V
		CE14	0CE476WF6DC	MVK6.3TP16VC47M 47uF 20% 16V
		CE15	0CE106WFKDC	MVK4.0TP16VC10M 10uF 20% 16V
		CE16	0CE106WFKDC	MVK4.0TP16VC10M 10uF 20% 16V
		CE17	0CE105WK6DC	MVK4.0TP50VC1M 1uF 20% 50V 5
		CE18	0CE105WK6DC	MVK4.0TP50VC1M 1uF 20% 50V 5
		CE19	0CE106WFKDC	MVK4.0TP16VC10M 10uF 20% 16V
		CE2	0CE106WFKDC	MVK4.0TP16VC10M 10uF 20% 16V
		CE20	0CE105WK6DC	MVK4.0TP50VC1M 1uF 20% 50V 5
		CE21	0CE106WFKDC	MVK4.0TP16VC10M 10uF 20% 16V
		CE22	0CE105WK6DC	MVK4.0TP50VC1M 1uF 20% 50V 5
		CE23	0CE106WFKDC	MVK4.0TP16VC10M 10uF 20% 16V
		CE24	0CE105WK6DC	MVK4.0TP50VC1M 1uF 20% 50V 5
		CE25	0CE106WFKDC	MVK4.0TP16VC10M 10uF 20% 16V
		CE26	0CE105WK6DC	MVK4.0TP50VC1M 1uF 20% 50V 5
		CE27	0CE106WFKDC	MVK4.0TP16VC10M 10uF 20% 16V
		CE28	0CE227WF6DC	MVK8.0TP16VC220M 220uF 20% 1
		CE29	0CE227WF6DC	MVK8.0TP16VC220M 220uF 20% 1
		CE3	0CE476WF6DC	MVK6.3TP16VC47M 47uF 20% 16V
		CE30	0CE107WF6DC	MVK6.3TP16VC100M 100uF 20% 1
		CE31	0CE476WF6DC	MVK6.3TP16VC47M 47uF 20% 16V
		CE32	0CE227WF6DC	MVK8.0TP16VC220M 220uF 20% 1
		CE33	0CE227WF6DC	MVK8.0TP16VC220M 220uF 20% 1
		CE34	0CE107WF6DC	MVK6.3TP16VC100M 100uF 20% 1

		CE39	0CE227WF6DC	MVK8.0TP16VC220M 220uF 20% 1
		CE4	0CE476WF6DC	MVK6.3TP16VC47M 47uF 20% 16V
		CE40	0CE107WF6DC	MVK6.3TP16VC100M 100uF 20% 1
		CE41	0CE476WF6DC	MVK6.3TP16VC47M 47uF 20% 16V
		CE42	0CE227WF6DC	MVK8.0TP16VC220M 220uF 20% 1
		CE43	0CE476WF6DC	MVK6.3TP16VC47M 47uF 20% 16V
		CE45	0CE227WF6DC	MVK8.0TP16VC220M 220uF 20% 1
		CE5	0CE476WF6DC	MVK6.3TP16VC47M 47uF 20% 16V
		CE6	0CE476WF6DC	MVK6.3TP16VC47M 47uF 20% 16V
		CE7	0CE476WF6DC	MVK6.3TP16VC47M 47uF 20% 16V
		CE8	0CE476WF6DC	MVK6.3TP16VC47M 47uF 20% 16V
		CE9	0CE476WF6DC	MVK6.3TP16VC47M 47uF 20% 16V
		BC1	0CK104CK56A	0603B104K500CT 100nF 10% 50V
		BC10	0CK104CK56A	0603B104K500CT 100nF 10% 50V
		BC100	0CK104CK56A	0603B104K500CT 100nF 10% 50V
		BC101	0CK104CK56A	0603B104K500CT 100nF 10% 50V
		BC102	0CK104CK56A	0603B104K500CT 100nF 10% 50V
		BC103	0CK104CK56A	0603B104K500CT 100nF 10% 50V
		BC104	0CK104CK56A	0603B104K500CT 100nF 10% 50V
		BC105	0CK104CK56A	0603B104K500CT 100nF 10% 50V
		BC106	0CK104CK56A	0603B104K500CT 100nF 10% 50V
		BC107	0CK104CK56A	0603B104K500CT 100nF 10% 50V
		BC108	0CK104CK56A	0603B104K500CT 100nF 10% 50V
		BC109	0CK104CK56A	0603B104K500CT 100nF 10% 50V
		BC11	0CK104CK56A	0603B104K500CT 100nF 10% 50V
		BC110	0CK104CK56A	0603B104K500CT 100nF 10% 50V
		BC111	0CK104CK56A	0603B104K500CT 100nF 10% 50V
		BC112	0CK104CK56A	0603B104K500CT 100nF 10% 50V
		BC113	0CK104CK56A	0603B104K500CT 100nF 10% 50V
		BC114	0CK104CK56A	0603B104K500CT 100nF 10% 50V
		BC115	0CK104CK56A	0603B104K500CT 100nF 10% 50V
		BC116	0CK104CK56A	0603B104K500CT 100nF 10% 50V
		BC117	0CK104CK56A	0603B104K500CT 100nF 10% 50V
		BC118	0CK104CK56A	0603B104K500CT 100nF 10% 50V
		BC119	0CK104CK56A	0603B104K500CT 100nF 10% 50V
		BC12	0CK104CK56A	0603B104K500CT 100nF 10% 50V
		BC120	0CK104CK56A	0603B104K500CT 100nF 10% 50V
		BC121	0CK104CK56A	0603B104K500CT 100nF 10% 50V
		BC122	0CK104CK56A	0603B104K500CT 100nF 10% 50V
		BC123	0CK104CK56A	0603B104K500CT 100nF 10% 50V
		BC124	0CK104CK56A	0603B104K500CT 100nF 10% 50V
		BC125	0CK104CK56A	0603B104K500CT 100nF 10% 50V
		BC126	0CK104CK56A	0603B104K500CT 100nF 10% 50V
		BC127	0CK104CK56A	0603B104K500CT 100nF 10% 50V
		BC128	0CK104CK56A	0603B104K500CT 100nF 10% 50V
		BC129	0CK104CK56A	0603B104K500CT 100nF 10% 50V
		BC13	0CK104CK56A	0603B104K500CT 100nF 10% 50V
		BC130	0CK104CK56A	0603B104K500CT 100nF 10% 50V
		BC131	0CK104CK56A	0603B104K500CT 100nF 10% 50V
		BC132	0CK104CK56A	0603B104K500CT 100nF 10% 50V
		BC133	0CK104CK56A	0603B104K500CT 100nF 10% 50V
		BC134	0CK104CK56A	0603B104K500CT 100nF 10% 50V
		BC135	0CK104CK56A	0603B104K500CT 100nF 10% 50V
		BC136	0CK104CK56A	0603B104K500CT 100nF 10% 50V
		BC137	0CK104CK56A	0603B104K500CT 100nF 10% 50V
		BC138	0CK104CK56A	0603B104K500CT 100nF 10% 50V
		BC139	0CK104CK56A	0603B104K500CT 100nF 10% 50V
		BC14	0CK104CK56A	0603B104K500CT 100nF 10% 50V
		BC140	0CK104CK56A	0603B104K500CT 100nF 10% 50V
		BC141	0CK104CK56A	0603B104K500CT 100nF 10% 50V
		BC142	0CK104CK56A	0603B104K500CT 100nF 10% 50V
		BC15	0CK104CK56A	0603B104K500CT 100nF 10% 50V
		BC16	0CK104CK56A	0603B104K500CT 100nF 10% 50V
		BC17	0CK104CK56A	0603B104K500CT 100nF 10% 50V
		BC18	0CK104CK56A	0603B104K500CT 100nF 10% 50V
		BC19	0CK104CK56A	0603B104K500CT 100nF 10% 50V
		BC2	0CK104CK56A	0603B104K500CT 100nF 10% 50V
		BC20	0CK104CK56A	0603B104K500CT 100nF 10% 50V
		BC21	0CK104CK56A	0603B104K500CT 100nF 10% 50V
		BC22	0CK104CK56A	0603B104K500CT 100nF 10% 50V
		BC23	0CK104CK56A	0603B104K500CT 100nF 10% 50V
		BC24	0CK104CK56A	0603B104K500CT 100nF 10% 50V
		BC25	0CK104CK56A	0603B104K500CT 100nF 10% 50V
		BC26	0CK104CK56A	0603B104K500CT 100nF 10% 50V
		BC27	0CK104CK56A	0603B104K500CT 100nF 10% 50V
		BC28	0CK104CK56A	0603B104K500CT 100nF 10% 50V

DATE: 2006. 09. 13.				
*S	*AL	LOC. NO.	PART NO.	DESCRIPTION / SPECIFICATION
		BC29	0CK104CK56A	0603B104K500CT 100nF 10% 50V
		BC3	0CK104CK56A	0603B104K500CT 100nF 10% 50V
		BC30	0CK104CK56A	0603B104K500CT 100nF 10% 50V
		BC31	0CK104CK56A	0603B104K500CT 100nF 10% 50V
		BC32	0CK104CK56A	0603B104K500CT 100nF 10% 50V
		BC33	0CK104CK56A	0603B104K500CT 100nF 10% 50V
		BC34	0CK104CK56A	0603B104K500CT 100nF 10% 50V
		BC35	0CK104CK56A	0603B104K500CT 100nF 10% 50V
		BC36	0CK104CK56A	0603B104K500CT 100nF 10% 50V
		BC37	0CK104CK56A	0603B104K500CT 100nF 10% 50V
		BC38	0CK104CK56A	0603B104K500CT 100nF 10% 50V
		BC39	0CK104CK56A	0603B104K500CT 100nF 10% 50V
		BC4	0CK104CK56A	0603B104K500CT 100nF 10% 50V
		BC40	0CK104CK56A	0603B104K500CT 100nF 10% 50V
		BC41	0CK104CK56A	0603B104K500CT 100nF 10% 50V
		BC42	0CK104CK56A	0603B104K500CT 100nF 10% 50V
		BC43	0CK104CK56A	0603B104K500CT 100nF 10% 50V
		BC44	0CK104CK56A	0603B104K500CT 100nF 10% 50V
		BC45	0CK104CK56A	0603B104K500CT 100nF 10% 50V
		BC46	0CK104CK56A	0603B104K500CT 100nF 10% 50V
		BC47	0CK104CK56A	0603B104K500CT 100nF 10% 50V
		BC48	0CK104CK56A	0603B104K500CT 100nF 10% 50V
		BC49	0CK104CK56A	0603B104K500CT 100nF 10% 50V
		BC5	0CK104CK56A	0603B104K500CT 100nF 10% 50V
		BC50	0CK104CK56A	0603B104K500CT 100nF 10% 50V
		BC51	0CK104CK56A	0603B104K500CT 100nF 10% 50V
		BC52	0CK104CK56A	0603B104K500CT 100nF 10% 50V
		BC53	0CK104CK56A	0603B104K500CT 100nF 10% 50V
		BC54	0CK104CK56A	0603B104K500CT 100nF 10% 50V
		BC55	0CK104CK56A	0603B104K500CT 100nF 10% 50V
		BC56	0CK104CK56A	0603B104K500CT 100nF 10% 50V
		BC57	0CK104CK56A	0603B104K500CT 100nF 10% 50V
		BC58	0CK104CK56A	0603B104K500CT 100nF 10% 50V
		BC59	0CK104CK56A	0603B104K500CT 100nF 10% 50V
		BC6	0CK104CK56A	0603B104K500CT 100nF 10% 50V
		BC60	0CK104CK56A	0603B104K500CT 100nF 10% 50V
		BC61	0CK104CK56A	0603B104K500CT 100nF 10% 50V
		BC62	0CK104CK56A	0603B104K500CT 100nF 10% 50V
		BC63	0CK104CK56A	0603B104K500CT 100nF 10% 50V
		BC64	0CK104CK56A	0603B104K500CT 100nF 10% 50V
		BC65	0CK104CK56A	0603B104K500CT 100nF 10% 50V
		BC66	0CK104CK56A	0603B104K500CT 100nF 10% 50V
		BC67	0CK104CK56A	0603B104K500CT 100nF 10% 50V
		BC68	0CK104CK56A	0603B104K500CT 100nF 10% 50V
		BC69	0CK104CK56A	0603B104K500CT 100nF 10% 50V
		BC7	0CK104CK56A	0603B104K500CT 100nF 10% 50V
		BC70	0CK104CK56A	0603B104K500CT 100nF 10% 50V
		BC71	0CK104CK56A	0603B104K500CT 100nF 10% 50V
		BC72	0CK104CK56A	0603B104K500CT 100nF 10% 50V
		BC73	0CK104CK56A	0603B104K500CT 100nF 10% 50V
		BC74	0CK104CK56A	0603B104K500CT 100nF 10% 50V
		BC75	0CK104CK56A	0603B104K500CT 100nF 10% 50V
		BC76	0CK104CK56A	0603B104K500CT 100nF 10% 50V
		BC77	0CK104CK56A	0603B104K500CT 100nF 10% 50V
		BC78	0CK104CK56A	0603B104K500CT 100nF 10% 50V
		BC79	0CK104CK56A	0603B104K500CT 100nF 10% 50V
		BC8	0CK104CK56A	0603B104K500CT 100nF 10% 50V
		BC80	0CK104CK56A	0603B104K500CT 100nF 10% 50V
		BC81	0CK104CK56A	0603B104K500CT 100nF 10% 50V
		BC82	0CK104CK56A	0603B104K500CT 100nF 10% 50V
		BC83	0CK104CK56A	0603B104K500CT 100nF 10% 50V
		BC84	0CK104CK56A	0603B104K500CT 100nF 10% 50V
		BC85	0CK104CK56A	0603B104K500CT 100nF 10% 50V
		BC86	0CK104CK56A	0603B104K500CT 100nF 10% 50V
		BC87	0CK104CK56A	0603B104K500CT 100nF 10% 50V
		BC88	0CK104CK56A	0603B104K500CT 100nF 10% 50V
		BC89	0CK104CK56A	0603B104K500CT 100nF 10% 50V
		BC9	0CK104CK56A	0603B104K500CT 100nF 10% 50V
		BC90	0CK104CK56A	0603B104K500CT 100nF 10% 50V
		BC91	0CK104CK56A	0603B104K500CT 100nF 10% 50V
		BC92	0CK104CK56A	0603B104K500CT 100nF 10% 50V
		BC93	0CK104CK56A	0603B104K500CT 100nF 10% 50V
		BC94	0CK104CK56A	0603B104K500CT 100nF 10% 50V
		BC95	0CK104CK56A	0603B104K500CT 100nF 10% 50V

DATE: 2006. 09. 13.				
*S	*AL	LOC. NO.	PART NO.	DESCRIPTION / SPECIFICATION
		BC96	0CK104CK56A	0603B104K500CT 100nF 10% 50V
		BC97	0CK104CK56A	0603B104K500CT 100nF 10% 50V
		BC98	0CK104CK56A	0603B104K500CT 100nF 10% 50V
		BC99	0CK104CK56A	0603B104K500CT 100nF 10% 50V
		C10	0CK104CK56A	0603B104K500CT 100nF 10% 50V
		C11	0CK104CK56A	0603B104K500CT 100nF 10% 50V
		C12	0CK104CK56A	0603B104K500CT 100nF 10% 50V
		C31	0CK104CK56A	0603B104K500CT 100nF 10% 50V
		C32	0CK104CK56A	0603B104K500CT 100nF 10% 50V
		C33	0CK104CK56A	0603B104K500CT 100nF 10% 50V
		C34	0CK104CK56A	0603B104K500CT 100nF 10% 50V
		C35	0CK104CK56A	0603B104K500CT 100nF 10% 50V
		C36	0CK104CK56A	0603B104K500CT 100nF 10% 50V
		C37	0CK104CK56A	0603B104K500CT 100nF 10% 50V
		C38	0CK104CK56A	0603B104K500CT 100nF 10% 50V
		C39	0CK104CK56A	0603B104K500CT 100nF 10% 50V
		C40	0CK104CK56A	0603B104K500CT 100nF 10% 50V
		C43	0CK104CK56A	0603B104K500CT 100nF 10% 50V
		C44	0CK104CK56A	0603B104K500CT 100nF 10% 50V
		C45	0CC180CK41A	C1608C0G1H180JT 18pF 5% 50V
		C46	0CC180CK41A	C1608C0G1H180JT 18pF 5% 50V
		C47	0CK104CK56A	0603B104K500CT 100nF 10% 50V
		C48	0CK104CK56A	0603B104K500CT 100nF 10% 50V
		C49	0CK104CK56A	0603B104K500CT 100nF 10% 50V
		C50	0CK104CK56A	0603B104K500CT 100nF 10% 50V
		C51	0CK104CK56A	0603B104K500CT 100nF 10% 50V
		C52	0CK104CK56A	0603B104K500CT 100nF 10% 50V
		C53	0CK104CK56A	0603B104K500CT 100nF 10% 50V
		C54	0CK104CK56A	0603B104K500CT 100nF 10% 50V
		C55	0CK104CK56A	0603B104K500CT 100nF 10% 50V
		C56	0CK104CK56A	0603B104K500CT 100nF 10% 50V
		C57	0CK104CK56A	0603B104K500CT 100nF 10% 50V
		C58	0CK104CK56A	0603B104K500CT 100nF 10% 50V
		C59	0CK104CK56A	0603B104K500CT 100nF 10% 50V
		C60	0CK104CK56A	0603B104K500CT 100nF 10% 50V
		C61	0CK104CK56A	0603B104K500CT 100nF 10% 50V
		C62	0CC471CK41A	C1608C0G1H471JT 470pF 5% 50V
		C63	0CC471CK41A	C1608C0G1H471JT 470pF 5% 50V
		C64	0CK104CK56A	0603B104K500CT 100nF 10% 50V
		C65	0CC271CK41A	C1608C0G1H271JT 270pF 5% 50V
		C66	0CC271CK41A	C1608C0G1H271JT 270pF 5% 50V
		C67	0CK104CK56A	0603B104K500CT 100nF 10% 50V
		C68	0CC470CK41A	C1608C0G1H470JT 47pF 5% 50V
		C69	0CC470CK41A	C1608C0G1H470JT 47pF 5% 50V
		C70	0CC470CK41A	C1608C0G1H470JT 47pF 5% 50V
		C71	0CC470CK41A	C1608C0G1H470JT 47pF 5% 50V
		C9	0CK104CK56A	0603B104K500CT 100nF 10% 50V
		L7	6140VB0004B	LN-15A1 26uH AC500V 5MA 12X9
		L8	6140VB0004B	LN-15A1 26uH AC500V 5MA 12X9
		L9	6140VB0004B	LN-15A1 26uH AC500V 5MA 12X9
		CN1	6630B00159A	SPG-SH2S-0601-01 40P 2.54MM
		CN2	6630VZS0110	YFDW254-10 10P 2.54MM STRAIG
		CN3	6630B00169A	FCS243-60G02 60P 1.27MM STRA
		CN8	6630VE00731	10022HS-31A02 31P 1.00MM FFC
		CN9	6630VE00731	10022HS-31A02 31P 1.00MM FFC
		CN6	6602T25008L	SMW250-12P 12P 2.50MM 1R STR
		CN7	6602Q39005A	1-1123723-4 4P 3.96MM 1R STR
		Y1	6212AB2873A	HC-49/SM 24.576MHZ 30PPM 24.
		D1	ODSRM00148A	1SS355 1.2V 90V 225MA 500MA
		PFB1	0LCML00003B	MLB-201209-0120P-N2 120OHM 2
		PFB10	0LCML00003B	MLB-201209-0120P-N2 120OHM 2
		PFB11	0LCML00003B	MLB-201209-0120P-N2 120OHM 2
		PFB12	0LCML00003B	MLB-201209-0120P-N2 120OHM 2
		PFB13	0LCML00003B	MLB-201209-0120P-N2 120OHM 2
		PFB14	0LCML00003B	MLB-201209-0120P-N2 120OHM 2
		PFB15	0LCML00003B	MLB-201209-0120P-N2 120OHM 2
		PFB16	0LCML00003B	MLB-201209-0120P-N2 120OHM 2
		PFB17	0LCML00003B	MLB-201209-0120P-N2 120OHM 2
		PFB18	0LCML00003B	MLB-201209-0120P-N2 120OHM 2
		PFB2	0LCML00003B	MLB-201209-0120P-N2 120OHM 2
		PFB3	0LCML00003B	MLB-201209-0120P-N2 120OHM 2
		PFB4	0LCML00003B	MLB-201209-0120P-N2 120OHM 2
		PFB5	0LCML00003B	MLB-201209-0120P-N2 120OHM 2
		PFB6	0LCML00003B	MLB-201209-0120P-N2 120OHM 2

DATE: 2006. 09. 13.				
*S	*AL	LOC. NO.	PART NO.	DESCRIPTION / SPECIFICATION
		PFB7	0LCML00003B	MLB-201209-0120P-N2 120OHM 2
		PFB8	0LCML00003B	MLB-201209-0120P-N2 120OHM 2
		PFB9	0LCML00003B	MLB-201209-0120P-N2 120OHM 2
		U13	0IPRPCI013A	CS5340-CZZR 1.7TO5.25V 3.1TO
		U2	0ISTLPH026A	74LVC14APW 1.2TO3.6V 0.01mA
		U14	0IPRPCI016A	CS4344-CZZR 4.75TO5.25V 3TO3
		U15	0IPMGRH001B	BA05FP 6TO25V 5V 1W TO252 R/
		U16	0IMCRRH001A	BA033FP-E2 4.3TO25V 3.3V 1W
		U17	0IPMGRH001D	BA15BC0FP-E2 3TO16V 1.5V 1.2
		U18	0IPMG00027A	SC156515M-1.8TR 2.2TO5.5V 1
		U12	0IMMR00080A	HY57V161610ETP-6 16MBIT 512K
		U3	0IMMR00080A	HY57V161610ETP-6 16MBIT 512K
		U4	0IMMR00080A	HY57V161610ETP-6 16MBIT 512K
		U5	0IMMR00080A	HY57V161610ETP-6 16MBIT 512K
		U6	0IMMR00080A	HY57V161610ETP-6 16MBIT 512K
		U8	0IMMRHY001L	HY57V641620ETP-H 64MBIT 1MX1
		U9	0IMMRHY001L	HY57V641620ETP-H 64MBIT 1MX1
		U11	0IPRPNE011B	"UPD64015AGM-UEU-A,LF 3VTO3.6"
		U7	0IPRP00726A	"MS8301-CMZ 3.3VTO3.3V,0.0VTO"
		U1	0IPRP00725A	"MS2689-CBZ 3.0VTO3.6V,1.62VT"
		U19	0IKE702700D	KIA7027AF -0.3TO15V 2.7V 500
		X1	6204B48363A	BMS-873R 27MHz 27MHZ 50PPM 3
		RN1	0RR1002Q62A	RCA86TRJ10K0 10KOHM 5% 1/16W
		RN10	0RJ0222C687	RCA86TRJ22R0 22OHM 5% 1/16W
		RN11	0RJ0222C687	RCA86TRJ22R0 22OHM 5% 1/16W
		RN12	0RJ0222C687	RCA86TRJ22R0 22OHM 5% 1/16W
		RN13	0RJ0222C687	RCA86TRJ22R0 22OHM 5% 1/16W
		RN14	0RJ0222C687	RCA86TRJ22R0 22OHM 5% 1/16W
		RN2	0RR1002Q62A	RCA86TRJ10K0 10KOHM 5% 1/16W
		RN3	0RR1002Q62A	RCA86TRJ10K0 10KOHM 5% 1/16W
		RN4	0RJ0222C687	RCA86TRJ22R0 22OHM 5% 1/16W
		RN5	0RJ0222C687	RCA86TRJ22R0 22OHM 5% 1/16W
		RN6	0RJ0222C687	RCA86TRJ22R0 22OHM 5% 1/16W
		RN7	0RJ0222C687	RCA86TRJ22R0 22OHM 5% 1/16W
		RN8	0RJ0222C687	RCA86TRJ22R0 22OHM 5% 1/16W
		RN9	0RJ0222C687	RCA86TRJ22R0 22OHM 5% 1/16W
		FB1	0RH0000D622	MCR10EZHJ000 0OHM 5% 1/8W 20
		FB10	0RH0000D622	MCR10EZHJ000 0OHM 5% 1/8W 20
		FB11	0RH0000D622	MCR10EZHJ000 0OHM 5% 1/8W 20
		FB12	0RH0000D622	MCR10EZHJ000 0OHM 5% 1/8W 20
		FB13	0RH0000D622	MCR10EZHJ000 0OHM 5% 1/8W 20
		FB14	0RH0000D622	MCR10EZHJ000 0OHM 5% 1/8W 20
		FB15	0RH0000D622	MCR10EZHJ000 0OHM 5% 1/8W 20
		FB2	0RH0000D622	MCR10EZHJ000 0OHM 5% 1/8W 20
		FB3	0RH0000D622	MCR10EZHJ000 0OHM 5% 1/8W 20
		FB4	0RH0000D622	MCR10EZHJ000 0OHM 5% 1/8W 20
		FB5	0RH0000D622	MCR10EZHJ000 0OHM 5% 1/8W 20
		FB6	0RH0000D622	MCR10EZHJ000 0OHM 5% 1/8W 20
		FB7	0RH0000D622	MCR10EZHJ000 0OHM 5% 1/8W 20
		FB8	0RH0000D622	MCR10EZHJ000 0OHM 5% 1/8W 20
		FB9	0RH0000D622	MCR10EZHJ000 0OHM 5% 1/8W 20
		L1	0RH0000D622	MCR10EZHJ000 0OHM 5% 1/8W 20
		L4	0RH0000D622	MCR10EZHJ000 0OHM 5% 1/8W 20
		L5	0RH0000D622	MCR10EZHJ000 0OHM 5% 1/8W 20
		L6	0RH0000D622	MCR10EZHJ000 0OHM 5% 1/8W 20
		R1	0RJ4701D677	MCR03EZPJ472 4.7KOHM 5% 1/10
		R10	0RJ0332D677	MCR03EZPJ330 33OHM 5% 1/10W
		R100	0RJ0752D677	MCR03EZPJ750 75OHM 5% 1/10W
		R101	0RJ1800D677	MCR03EZPJ181 180OHM 5% 1/10W
		R102	0RJ0752D677	MCR03EZPJ750 75OHM 5% 1/10W
		R103	0RJ0752D677	MCR03EZPJ750 75OHM 5% 1/10W
		R104	0RJ0752D677	MCR03EZPJ750 75OHM 5% 1/10W
		R105	0RJ1600D677	MCR03EZPJ161 160OHM 5% 1/10W
		R106	0RJ0000D677	MCR03EZPJ000 0OHM 5% 1/10W 1
		R107	0RJ1002D677	MCR03EZPJ103 10KOHM 5% 1/10W
		R108	0RJ1002D677	MCR03EZPJ103 10KOHM 5% 1/10W
		R109	0RJ1002D677	MCR03EZPJ103 10KOHM 5% 1/10W
		R11	0RJ0332D677	MCR03EZPJ330 33OHM 5% 1/10W
		R110	0RJ1002D677	MCR03EZPJ103 10KOHM 5% 1/10W
		R111	0RJ1002D677	MCR03EZPJ103 10KOHM 5% 1/10W
		R112	0RJ1002D677	MCR03EZPJ103 10KOHM 5% 1/10W
		R113	0RJ0000D677	MCR03EZPJ000 0OHM 5% 1/10W 1
		R114	0RJ0472D677	MCR03EZPJ470 47OHM 5% 1/10W
		R115	0RJ0000D677	MCR03EZPJ000 0OHM 5% 1/10W 1

DATE: 2006. 09. 13.				
*S	*AL	LOC. NO.	PART NO.	DESCRIPTION / SPECIFICATION
		R116	0RJ0000D677	MCR03EZPJ000 0OHM 5% 1/10W 1
		R117	0RJ1002D677	MCR03EZPJ103 10KOHM 5% 1/10W
		R118	0RJ4701D677	MCR03EZPJ472 4.7KOHM 5% 1/10
		R119	0RJ6200D677	MCR03EZPJ621 620OHM 5% 1/10W
		R12	0RJ0332D677	MCR03EZPJ330 33OHM 5% 1/10W
		R120	0RJ2000D677	MCR03EZPJ201 200OHM 5% 1/10W
		R121	0RJ2000D677	MCR03EZPJ201 200OHM 5% 1/10W
		R122	0RJ2000D677	MCR03EZPJ201 200OHM 5% 1/10W
		R123	0RJ1000D677	MCR03EZPJ101 100OHM 5% 1/10W
		R124	0RJ1000D677	MCR03EZPJ101 100OHM 5% 1/10W
		R125	0RJ2201D677	MCR03EZPJ222 2.2KOHM 5% 1/10
		R126	0RJ1000D677	MCR03EZPJ101 100OHM 5% 1/10W
		R127	0RJ1001D677	MCR03EZPJ102 1KOHM 5% 1/10W
		R128	0RJ0000D677	MCR03EZPJ000 0OHM 5% 1/10W 1
		R129	0RJ0000D677	MCR03EZPJ000 0OHM 5% 1/10W 1
		R13	0RJ0332D677	MCR03EZPJ330 33OHM 5% 1/10W
		R130	0RJ0000D677	MCR03EZPJ000 0OHM 5% 1/10W 1
		R131	0RJ0000D677	MCR03EZPJ000 0OHM 5% 1/10W 1
		R132	0RJ0000D677	MCR03EZPJ000 0OHM 5% 1/10W 1
		R133	0RJ0000D677	MCR03EZPJ000 0OHM 5% 1/10W 1
		R134	0RJ3301D677	MCR03EZPJ330 3.3KOHM 5% 1/10
		R135	0RJ1500D677	MCR03EZPJ151 150OHM 5% 1/10W
		R137	0RJ1002D677	MCR03EZPJ103 10KOHM 5% 1/10W
		R138	0RJ0332D677	MCR03EZPJ330 33OHM 5% 1/10W
		R139	0RJ0332D677	MCR03EZPJ330 33OHM 5% 1/10W
		R14	0RJ0332D677	MCR03EZPJ330 33OHM 5% 1/10W
		R140	0RJ0332D677	MCR03EZPJ330 33OHM 5% 1/10W
		R141	0RJ3301D677	MCR03EZPJ332 3.3KOHM 5% 1/10
		R142	0RJ1500D677	MCR03EZPJ151 150OHM 5% 1/10W
		R144	0RJ0000D677	MCR03EZPJ000 0OHM 5% 1/10W 1
		R145	0RJ4700D677	MCR03EZPJ471 470OHM 5% 1/10W
		R146	0RJ1002D677	MCR03EZPJ103 10KOHM 5% 1/10W
		R147	0RJ4700D677	MCR03EZPJ471 470OHM 5% 1/10W
		R148	0RJ1002D677	MCR03EZPJ103 10KOHM 5% 1/10W
		R149	0RJ0332D677	MCR03EZPJ330 33OHM 5% 1/10W
		R15	0RJ1002D677	MCR03EZPJ103 10KOHM 5% 1/10W
		R150	0RJ0222D677	MCR03EZPJ220 22OHM 5% 1/10W
		R151	0RJ0472D677	MCR03EZPJ470 470OHM 5% 1/10W
		R152	0RJ0332D677	MCR03EZPJ330 33OHM 5% 1/10W
		R155	0RJ0222D677	MCR03EZPJ220 22OHM 5% 1/10W
		R156	0RJ0222D677	MCR03EZPJ220 22OHM 5% 1/10W
		R157	0RJ0222D677	MCR03EZPJ220 22OHM 5% 1/10W
		R158	0RJ0222D677	MCR03EZPJ220 22OHM 5% 1/10W
		R159	0RJ0752D677	MCR03EZPJ750 75OHM 5% 1/10W
		R16	0RJ1002D677	MCR03EZPJ103 10KOHM 5% 1/10W
		R160	0RJ0752D677	MCR03EZPJ750 75OHM 5% 1/10W
		R161	0RJ0752D677	MCR03EZPJ750 75OHM 5% 1/10W
		R162	0RJ0752D677	MCR03EZPJ750 75OHM 5% 1/10W
		R163	0RJ0752D677	MCR03EZPJ750 75OHM 5% 1/10W
		R164	0RJ0752D677	MCR03EZPJ750 75OHM 5% 1/10W
		R165	0RJ1002D677	MCR03EZPJ103 10KOHM 5% 1/10W
		R166	0RJ2203D677	MCR03EZPJ224 220KOHM 5% 1/10
		R167	0RJ2203D677	MCR03EZPJ224 220KOHM 5% 1/10
		R169	0RJ0000D677	MCR03EZPJ000 0OHM 5% 1/10W 1
		R17	0RJ5601D677	MCR03EZPJ562 5.6KOHM 5% 1/10
		R170	0RJ0000D677	MCR03EZPJ000 0OHM 5% 1/10W 1
		R171	0RJ0000D677	MCR03EZPJ000 0OHM 5% 1/10W 1
		R172	0RJ0000D677	MCR03EZPJ000 0OHM 5% 1/10W 1
		R173	0RJ0000D677	MCR03EZPJ000 0OHM 5% 1/10W 1
		R174	0RJ0000D677	MCR03EZPJ000 0OHM 5% 1/10W 1
		R175	0RJ0000D677	MCR03EZPJ000 0OHM 5% 1/10W 1
		R176	0RJ0000D677	MCR03EZPJ000 0OHM 5% 1/10W 1
		R177	0RJ0000D677	MCR03EZPJ000 0OHM 5% 1/10W 1
		R178	0RJ0000D677	MCR03EZPJ000 0OHM 5% 1/10W 1
		R179	0RJ0000D677	MCR03EZPJ000 0OHM 5% 1/10W 1
		R18	0RJ1002D677	MCR03EZPJ103 10KOHM 5% 1/10W
		R180	0RJ0000D677	MCR03EZPJ000 0OHM 5% 1/10W 1
		R19	0RJ1001D677	MCR03EZPJ102 1KOHM 5% 1/10W
		R20	0RJ1002D677	MCR03EZPJ103 10KOHM 5% 1/10W
		R21	0RJ1002D677	MCR03EZPJ103 10KOHM 5% 1/10W
		R22	0RJ1002D677	MCR03EZPJ103 10KOHM 5% 1/10W
		R23	0RJ0000D677	MCR03EZPJ000 0OHM 5% 1/10W 1
		R24	0RJ2000D677	MCR03EZPJ201 200OHM 5% 1/10W
		R25	0RJ2000D677	MCR03EZPJ201 200OHM 5% 1/10W

DATE: 2006. 09. 13.				
*S	*AL	LOC. NO.	PART NO.	DESCRIPTION / SPECIFICATION
		R26	0RJ2000D677	MCR03EZPJ201 200OHM 5% 1/10W
		R27	0RJ2000D677	MCR03EZPJ201 200OHM 5% 1/10W
		R28	0RJ0000D677	MCR03EZPJ000 0OHM 5% 1/10W 1
		R29	0RJ1001D677	MCR03EZPJ102 1KOHM 5% 1/10W
		R3	0RJ4701D677	MCR03EZPJ472 4.7KOHM 5% 1/10
		R30	0RJ1001D677	MCR03EZPJ102 1KOHM 5% 1/10W
		R31	0RJ1001D677	MCR03EZPJ102 1KOHM 5% 1/10W
		R32	0RJ1001D677	MCR03EZPJ102 1KOHM 5% 1/10W
		R34	0RJ1001D677	MCR03EZPJ102 1KOHM 5% 1/10W
		R35	0RJ4701D677	MCR03EZPJ472 4.7KOHM 5% 1/10
		R36	0RJ0472D677	MCR03EZPJ470 47OHM 5% 1/10W
		R37	0RJ0472D677	MCR03EZPJ470 47OHM 5% 1/10W
		R38	0RJ1002D677	MCR03EZPJ103 10KOHM 5% 1/10W
		R4	0RJ4701D677	MCR03EZPJ472 4.7KOHM 5% 1/10
		R41	0RJ1001D677	MCR03EZPJ102 1KOHM 5% 1/10W
		R42	0RJ1001D677	MCR03EZPJ102 1KOHM 5% 1/10W
		R43	0RJ4701D677	MCR03EZPJ472 4.7KOHM 5% 1/10
		R44	0RJ4701D677	MCR03EZPJ472 4.7KOHM 5% 1/10
		R45	0RJ4701D677	MCR03EZPJ472 4.7KOHM 5% 1/10
		R46	0RJ4701D677	MCR03EZPJ472 4.7KOHM 5% 1/10
		R47	0RJ5601D677	MCR03EZPJ562 5.6KOHM 5% 1/10
		R48	0RJ5601D677	MCR03EZPJ562 5.6KOHM 5% 1/10
		R49	0RJ1501D677	MCR03EZPJ152 1.5KOHM 5% 1/10
		R5	0RJ4701D677	MCR03EZPJ472 4.7KOHM 5% 1/10
		R50	0RJ1501D677	MCR03EZPJ152 1.5KOHM 5% 1/10
		R52	0RJ1002D677	MCR03EZPJ103 10KOHM 5% 1/10W
		R54	0RJ1002D677	MCR03EZPJ103 10KOHM 5% 1/10W
		R56	0RJ1001D677	MCR03EZPJ102 1KOHM 5% 1/10W
		R57	0RJ1001D677	MCR03EZPJ102 1KOHM 5% 1/10W
		R58	0RJ1001D677	MCR03EZPJ102 1KOHM 5% 1/10W
		R59	0RJ1001D677	MCR03EZPJ102 1KOHM 5% 1/10W
		R6	0RJ4701D677	MCR03EZPJ472 4.7KOHM 5% 1/10
		R60	0RJ1001D677	MCR03EZPJ102 1KOHM 5% 1/10W
		R61	0RJ2202D677	MCR03EZPJ223 22KOHM 5% 1/10W
		R62	0RJ6801D677	MCR03EZPJ682 6.8KOHM 5% 1/10
		R63	0RJ0332D677	MCR03EZPJ330 33OHM 5% 1/10W
		R64	0RJ0332D677	MCR03EZPJ330 33OHM 5% 1/10W
		R65	0RJ0332D677	MCR03EZPJ330 33OHM 5% 1/10W
		R66	0RJ0472D677	MCR03EZPJ470 47OHM 5% 1/10W
		R67	0RJ1002D677	MCR03EZPJ103 10KOHM 5% 1/10W
		R68	0RJ0000D677	MCR03EZPJ000 0OHM 5% 1/10W 1
		R69	0RJ1002D677	MCR03EZPJ103 10KOHM 5% 1/10W
		R7	0RJ0332D677	MCR03EZPJ330 33OHM 5% 1/10W
		R70	0RJ4701D677	MCR03EZPJ472 4.7KOHM 5% 1/10
		R71	0RJ1001D677	MCR03EZPJ102 1KOHM 5% 1/10W
		R72	0RJ4701D677	MCR03EZPJ472 4.7KOHM 5% 1/10
		R73	0RJ4701D677	MCR03EZPJ472 4.7KOHM 5% 1/10
		R74	0RJ4701D677	MCR03EZPJ472 4.7KOHM 5% 1/10
		R75	0RJ0332D677	MCR03EZPJ330 33OHM 5% 1/10W
		R76	0RJ0332D677	MCR03EZPJ330 33OHM 5% 1/10W
		R77	0RJ0332D677	MCR03EZPJ330 33OHM 5% 1/10W
		R78	0RJ1000D677	MCR03EZPJ101 100OHM 5% 1/10W
		R79	0RJ0332D677	MCR03EZPJ330 33OHM 5% 1/10W
		R8	0RJ0332D677	MCR03EZPJ330 33OHM 5% 1/10W
		R80	0RJ0332D677	MCR03EZPJ330 33OHM 5% 1/10W
		R81	0RJ0332D677	MCR03EZPJ330 33OHM 5% 1/10W
		R82	0RJ0332D677	MCR03EZPJ330 33OHM 5% 1/10W
		R83	0RJ0332D677	MCR03EZPJ330 33OHM 5% 1/10W
		R84	0RJ0332D677	MCR03EZPJ330 33OHM 5% 1/10W
		R85	0RJ0332D677	MCR03EZPJ330 33OHM 5% 1/10W
		R86	0RJ0332D677	MCR03EZPJ330 33OHM 5% 1/10W
		R87	0RJ0332D677	MCR03EZPJ330 33OHM 5% 1/10W
		R88	0RJ0332D677	MCR03EZPJ330 33OHM 5% 1/10W
		R89	0RJ0332D677	MCR03EZPJ330 33OHM 5% 1/10W
		R9	0RJ0332D677	MCR03EZPJ330 33OHM 5% 1/10W
		R90	0RJ0000D677	MCR03EZPJ000 0OHM 5% 1/10W 1
		R91	0RJ0000D677	MCR03EZPJ000 0OHM 5% 1/10W 1
		R97	0RJ5601D677	MCR03EZPJ562 5.6KOHM 5% 1/10
		R98	0RJ0752D677	MCR03EZPJ750 75OHM 5% 1/10W
		R99	0RJ0752D677	MCR03EZPJ750 75OHM 5% 1/10W
		SW	SAA30013606	3.10 ACDD EUROPE flash rom 4
		Q2	OTRDI80002A	MMBT3904-(F) NPN 6V 60V 40V

DATE: 2006. 09. 13.				
*S	*AL	LOC. NO.	PART NO.	DESCRIPTION / SPECIFICATION
CONTROL BOARD				
		SW101	140-313A	THVV501BBC 1C1P 12VDC 0.05A
		SW102	140-313A	THVV501BBC 1C1P 12VDC 0.05A
		SW103	140-313A	THVV501BBC 1C1P 12VDC 0.05A
		SW104	140-313A	THVV501BBC 1C1P 12VDC 0.05A
		SW105	140-313A	THVV501BBC 1C1P 12VDC 0.05A
		SW106	140-313A	THVV501BBC 1C1P 12VDC 0.05A
		SW107	140-313A	THVV501BBC 1C1P 12VDC 0.05A
		SW108	140-313A	THVV501BBC 1C1P 12VDC 0.05A
		R101	0RH1302D622	MCR10EZHJ133 13KOHM 5% 1/8W
		R102	0RH4701D622	MCR10EZHJ472 4.7KOHM 5% 1/8W
		R103	0RH1501D622	MCR10EZHJ152 1.5KOHM 5% 1/8W
		R104	0RH0000D622	MCR10EZHJ000 0OHM 5% 1/8W 20
		R105	0RH1302D622	MCR10EZHJ133 13KOHM 5% 1/8W
		R106	0RH4701D622	MCR10EZHJ472 4.7KOHM 5% 1/8W
		R107	0RH1501D622	MCR10EZHJ152 1.5KOHM 5% 1/8W
		R108	0RH0000D622	MCR10EZHJ000 0OHM 5% 1/8W 20
SIDE A/V BOARD				
		C101	0CH5101K416	C2012C0G1H101JT 100pF 5% 50V
		C102	0CH5101K416	C2012C0G1H101JT 100pF 5% 50V
		R101	0RH0000D622	MCR10EZHJ000 0OHM 5% 1/8W 20
		R102	0RH0000D622	MCR10EZHJ000 0OHM 5% 1/8W 20
		R103	0RH0000D622	MCR10EZHJ000 0OHM 5% 1/8W 20
		R104	0RH0000D622	MCR10EZHJ000 0OHM 5% 1/8W 20
		R105	0RH4700D622	MCR10EZHJ471 470OHM 5% 1/8W
		R106	0RH4700D622	MCR10EZHJ471 470OHM 5% 1/8W
LED BOARD				
		D200	0DLAU0410AA	SAW5670 ROUND 5mm AMBER/WHIT
		IC201	6712000013A	TSOP4438SO1 4.5TO5.5V 1.5MA
		P200	6602T20009J	SMAW200-10P 10P 2.00MM 1R AN
		P201	6602T20009C	SMAW200-04P 4P 2.00MM 1R ANG
		C200	0CH5101K416	C2012C0G1H101JT 100pF 5% 50V
		C201	0CH5330K416	C2012C0G1H330JT 33pF 5% 50V
		C202	0CE476VF6DC	VG476M016S0ANE010 47uF 20%
		C203	0CE476VF6DC	VG476M016S0ANE010 47uF 20%
		C204	0CE476VF6DC	VG476M016S0ANE010 47uF 20%
		L200	0LC1032101A	FI-C3216-103KJT 10UH 10% - 5
		Q200	0TR387500AA	2SC3875S(ALY) NPN 5V 60V 50V
		Q201	0TR387500AA	2SC3875S(ALY) NPN 5V 60V 50V
		Q202	0TR387500AA	2SC3875S(ALY) NPN 5V 60V 50V
		R200	0RH0000D622	MCR10EZHJ000 0OHM 5% 1/8W 20
		R201	0RH0000D622	MCR10EZHJ000 0OHM 5% 1/8W 20
		R202	0RH4700D622	MCR10EZHJ471 470OHM 5% 1/8W
		R203	0RH0000D622	MCR10EZHJ000 0OHM 5% 1/8W 20
		R204	0RH4700D622	MCR10EZHJ471 470OHM 5% 1/8W
		R205	0RH0000D622	MCR10EZHJ000 0OHM 5% 1/8W 20
		R206	0RH0000D622	MCR10EZHJ000 0OHM 5% 1/8W 20
		R207	0RJ1001D677	MCR03EZPJ102 1KOHM 5% 1/10W
		R208	0RH4700D622	MCR10EZHJ471 470OHM 5% 1/8W