

Lamp P-VIP 132-150/1.0 E23ha

- | | |
|----------------------------------|------------------|
| ▪ Category | MD TV |
| ▪ Reflector | E23 – elliptic |
| ▪ Arc gap | 1.0 mm |
| ▪ Power range | 132 – 150 W |
| ▪ Ignition | 15 – 18 kV |
| ▪ Light output typ. ^a | 6,500 lm @ 150 W |
| ▪ Average Life time ^b | 6,000 h @ 150 W |
| ▪ Environmental | Complies RoHS |



a) observed in working distance through \varnothing 6 mm aperture

b) when operated on OSRAM lamp driver PT VIP O1RP

P-VIP Replacement Lamps,
Subject to alteration



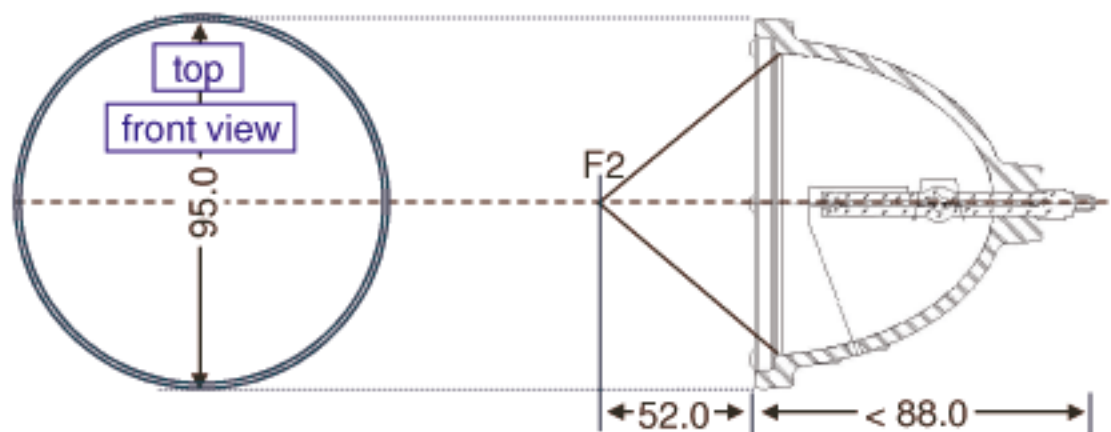
Lamp P-VIP 100-120/1.0 E23ha

Contour	E23 – elliptic
working distance	52.0 mm
Reflector glass	borosilicate

Lamp design	
front glass	yes
air inlets	no, lamp closed
location contact 1 ^a	central at base
location contact 2 ^a	03:00 o'clock

a) viewed from front

dimensions in mm



P-VIP Replacement Lamps,
Subject to alteration

