



website:<http://biz.LGservice.com>

# LCD TV

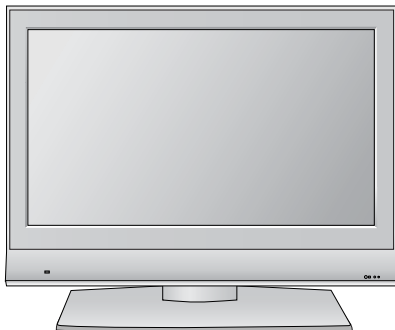
# SERVICE MANUAL

CHASSIS : LD73A

**MODEL : 32LC7D    32LC7D-ZA**  
**32LC55    32LC55-ZA**  
**32LC56    32LC56-ZC**

## CAUTION

BEFORE SERVICING THE CHASSIS,  
READ THE SAFETY PRECAUTIONS IN THIS MANUAL.



# CONTENTS

CONTENTS .....	2
PRODUCT SAFETY .....	3
SPECIFICATION .....	6
ADJUSTMENT INSTRUCTION .....	9
TROUBLE SHOOTING.....	14
BLOCK DIAGRAM.....	22
EXPLODED VIEW .....	24
REPLACEMENT PARTS LIST .....	26
SVC. SHEET .....	

# SAFETY PRECAUTIONS

## IMPORTANT SAFETY NOTICE

Many electrical and mechanical parts in this chassis have special safety-related characteristics. These parts are identified by  $\triangle$  in the Schematic Diagram and Replacement Parts List.

It is essential that these special safety parts should be replaced with the same components as recommended in this manual to prevent Shock, Fire, or other Hazards.

Do not modify the original design without permission of manufacturer.

### General Guidance

An **isolation Transformer should always be used** during the servicing of a receiver whose chassis is not isolated from the AC power line. Use a transformer of adequate power rating as this protects the technician from accidents resulting in personal injury from electrical shocks.

It will also protect the receiver and its components from being damaged by accidental shorts of the circuitry that may be inadvertently introduced during the service operation.

If any fuse (or Fusible Resistor) in this TV receiver is blown, replace it with the specified.

When replacing a high wattage resistor (Oxide Metal Film Resistor, over 1W), keep the resistor 10mm away from PCB.

Keep wires away from high voltage or high temperature parts.

### Before returning the receiver to the customer,

always perform an **AC leakage current check** on the exposed metallic parts of the cabinet, such as antennas, terminals, etc., to be sure the set is safe to operate without damage of electrical shock.

### Leakage Current Cold Check(Antenna Cold Check)

With the instrument AC plug removed from AC source, connect an electrical jumper across the two AC plug prongs. Place the AC switch in the on position, connect one lead of ohm-meter to the AC plug prongs tied together and touch other ohm-meter lead in turn to each exposed metallic parts such as antenna terminals, phone jacks, etc.

If the exposed metallic part has a return path to the chassis, the measured resistance should be between  $1M\Omega$  and  $5.2M\Omega$ .

When the exposed metal has no return path to the chassis the reading must be infinite.

An other abnormality exists that must be corrected before the receiver is returned to the customer.

### Leakage Current Hot Check (See below Figure)

Plug the AC cord directly into the AC outlet.

### Do not use a line Isolation Transformer during this check.

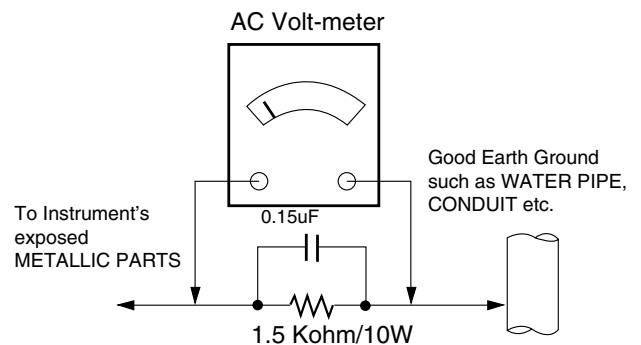
Connect 1.5K/10watt resistor in parallel with a 0.15uF capacitor between a known good earth ground (Water Pipe, Conduit, etc.) and the exposed metallic parts.

Measure the AC voltage across the resistor using AC voltmeter with 1000 ohms/volt or more sensitivity.

Reverse plug the AC cord into the AC outlet and repeat AC voltage measurements for each exposed metallic part. Any voltage measured must not exceed 0.75 volt RMS which corresponds to 0.5mA.

In case any measurement is out of the limits specified, there is possibility of shock hazard and the set must be checked and repaired before it is returned to the customer.

### Leakage Current Hot Check circuit



# SERVICING PRECAUTIONS

**CAUTION:** Before servicing receivers covered by this service manual and its supplements and addenda, read and follow the *SAFETY PRECAUTIONS* on page 3 of this publication.

**NOTE:** If unforeseen circumstances create conflict between the following servicing precautions and any of the safety precautions on page 3 of this publication, always follow the safety precautions. Remember: Safety First.

## General Servicing Precautions

1. Always unplug the receiver AC power cord from the AC power source before;
  - a. Removing or reinstalling any component, circuit board module or any other receiver assembly.
  - b. Disconnecting or reconnecting any receiver electrical plug or other electrical connection.
  - c. Connecting a test substitute in parallel with an electrolytic capacitor in the receiver.  
**CAUTION:** A wrong part substitution or incorrect polarity installation of electrolytic capacitors may result in an explosion hazard.
2. Test high voltage only by measuring it with an appropriate high voltage meter or other voltage measuring device (DVM, FETVOM, etc) equipped with a suitable high voltage probe. Do not test high voltage by "drawing an arc".
3. Do not spray chemicals on or near this receiver or any of its assemblies.
4. Unless specified otherwise in this service manual, clean electrical contacts only by applying the following mixture to the contacts with a pipe cleaner, cotton-tipped stick or comparable non-abrasive applicator; 10% (by volume) Acetone and 90% (by volume) isopropyl alcohol (90%-99% strength)  
**CAUTION:** This is a flammable mixture.  
Unless specified otherwise in this service manual, lubrication of contacts is not required.
5. Do not defeat any plug/socket B+ voltage interlocks with which receivers covered by this service manual might be equipped.
6. Do not apply AC power to this instrument and/or any of its electrical assemblies unless all solid-state device heat sinks are correctly installed.
7. Always connect the test receiver ground lead to the receiver chassis ground before connecting the test receiver positive lead.  
Always remove the test receiver ground lead last.
8. *Use with this receiver only the test fixtures specified in this service manual.*  
**CAUTION:** Do not connect the test fixture ground strap to any heat sink in this receiver.

## Electrostatically Sensitive (ES) Devices

Some semiconductor (solid-state) devices can be damaged easily by static electricity. Such components commonly are called *Electrostatically Sensitive (ES) Devices*. Examples of typical ES devices are integrated circuits and some field-effect transistors and semiconductor "chip" components. The following techniques should be used to help reduce the incidence of component damage caused by static by static electricity.

1. Immediately before handling any semiconductor component or semiconductor-equipped assembly, drain off any electrostatic charge on your body by touching a known earth ground. Alternatively, obtain and wear a commercially available discharging wrist strap device, which should be removed to prevent potential shock reasons prior to applying power to the

unit under test.

2. After removing an electrical assembly equipped with ES devices, place the assembly on a conductive surface such as aluminum foil, to prevent electrostatic charge buildup or exposure of the assembly.
3. Use only a grounded-tip soldering iron to solder or unsolder ES devices.
4. Use only an anti-static type solder removal device. Some solder removal devices not classified as "anti-static" can generate electrical charges sufficient to damage ES devices.
5. Do not use freon-propelled chemicals. These can generate electrical charges sufficient to damage ES devices.
6. Do not remove a replacement ES device from its protective package until immediately before you are ready to install it. (Most replacement ES devices are packaged with leads electrically shorted together by conductive foam, aluminum foil or comparable conductive material).
7. Immediately before removing the protective material from the leads of a replacement ES device, touch the protective material to the chassis or circuit assembly into which the device will be installed.  
**CAUTION:** Be sure no power is applied to the chassis or circuit, and observe all other safety precautions.
8. Minimize bodily motions when handling unpackaged replacement ES devices. (Otherwise harmless motion such as the brushing together of your clothes fabric or the lifting of your foot from a carpeted floor can generate static electricity sufficient to damage an ES device.)

## General Soldering Guidelines

1. Use a grounded-tip, low-wattage soldering iron and appropriate tip size and shape that will maintain tip temperature within the range or 500°F to 600°F.
2. Use an appropriate gauge of RMA resin-core solder composed of 60 parts tin/40 parts lead.
3. Keep the soldering iron tip clean and well tinned.
4. Thoroughly clean the surfaces to be soldered. Use a mall wire-bristle (0.5 inch, or 1.25cm) brush with a metal handle. Do not use freon-propelled spray-on cleaners.
5. Use the following unsoldering technique
  - a. Allow the soldering iron tip to reach normal temperature. (500°F to 600°F)
  - b. Heat the component lead until the solder melts.
  - c. Quickly draw the melted solder with an anti-static, suction-type solder removal device or with solder braid.  
**CAUTION:** Work quickly to avoid overheating the circuitboard printed foil.
6. Use the following soldering technique.
  - a. Allow the soldering iron tip to reach a normal temperature (500°F to 600°F)
  - b. First, hold the soldering iron tip and solder the strand against the component lead until the solder melts.
  - c. Quickly move the soldering iron tip to the junction of the component lead and the printed circuit foil, and hold it there only until the solder flows onto and around both the component lead and the foil.  
**CAUTION:** Work quickly to avoid overheating the circuit board printed foil.
  - d. Closely inspect the solder area and remove any excess or splashed solder with a small wire-bristle brush.

### IC Remove/Replacement

Some chassis circuit boards have slotted holes (oblong) through which the IC leads are inserted and then bent flat against the circuit foil. When holes are the slotted type, the following technique should be used to remove and replace the IC. When working with boards using the familiar round hole, use the standard technique as outlined in paragraphs 5 and 6 above.

#### Removal

1. Desolder and straighten each IC lead in one operation by gently prying up on the lead with the soldering iron tip as the solder melts.
2. Draw away the melted solder with an anti-static suction-type solder removal device (or with solder braid) before removing the IC.

#### Replacement

1. Carefully insert the replacement IC in the circuit board.
2. Carefully bend each IC lead against the circuit foil pad and solder it.
3. Clean the soldered areas with a small wire-bristle brush. (It is not necessary to reapply acrylic coating to the areas).

### "Small-Signal" Discrete Transistor

#### Removal/Replacement

1. Remove the defective transistor by clipping its leads as close as possible to the component body.
2. Bend into a "U" shape the end of each of three leads remaining on the circuit board.
3. Bend into a "U" shape the replacement transistor leads.
4. Connect the replacement transistor leads to the corresponding leads extending from the circuit board and crimp the "U" with long nose pliers to insure metal to metal contact then solder each connection.

### Power Output, Transistor Device

#### Removal/Replacement

1. Heat and remove all solder from around the transistor leads.
2. Remove the heat sink mounting screw (if so equipped).
3. Carefully remove the transistor from the heat sink of the circuit board.
4. Insert new transistor in the circuit board.
5. Solder each transistor lead, and clip off excess lead.
6. Replace heat sink.

### Diode Removal/Replacement

1. Remove defective diode by clipping its leads as close as possible to diode body.
2. Bend the two remaining leads perpendicular y to the circuit board.
3. Observing diode polarity, wrap each lead of the new diode around the corresponding lead on the circuit board.
4. Securely crimp each connection and solder it.
5. Inspect (on the circuit board copper side) the solder joints of the two "original" leads. If they are not shiny, reheat them and if necessary, apply additional solder.

### Fuse and Conventional Resistor

#### Removal/Replacement

1. Clip each fuse or resistor lead at top of the circuit board hollow stake.
2. Securely crimp the leads of replacement component around notch at stake top.
3. Solder the connections.

**CAUTION:** Maintain original spacing between the replaced component and adjacent components and the circuit board to prevent excessive component temperatures.

### Circuit Board Foil Repair

Excessive heat applied to the copper foil of any printed circuit board will weaken the adhesive that bonds the foil to the circuit board causing the foil to separate from or "lift-off" the board. The following guidelines and procedures should be followed whenever this condition is encountered.

#### At IC Connections

To repair a defective copper pattern at IC connections use the following procedure to install a jumper wire on the copper pattern side of the circuit board. (Use this technique only on IC connections).

1. Carefully remove the damaged copper pattern with a sharp knife. (Remove only as much copper as absolutely necessary).
2. Carefully scratch away the solder resist and acrylic coating (if used) from the end of the remaining copper pattern.
3. Bend a small "U" in one end of a small gauge jumper wire and carefully crimp it around the IC pin. Solder the IC connection.
4. Route the jumper wire along the path of the out-away copper pattern and let it overlap the previously scraped end of the good copper pattern. Solder the overlapped area and clip off any excess jumper wire.

#### At Other Connections

Use the following technique to repair the defective copper pattern at connections other than IC Pins. This technique involves the installation of a jumper wire on the component side of the circuit board.

1. Remove the defective copper pattern with a sharp knife. Remove at least 1/4 inch of copper, to ensure that a hazardous condition will not exist if the jumper wire opens.
  2. Trace along the copper pattern from both sides of the pattern break and locate the nearest component that is directly connected to the affected copper pattern.
  3. Connect insulated 20-gauge jumper wire from the lead of the nearest component on one side of the pattern break to the lead of the nearest component on the other side. Carefully crimp and solder the connections.
- CAUTION:** Be sure the insulated jumper wire is dressed so the it does not touch components or sharp edges.

# SPECIFICATION

NOTE : Specifications and others are subject to change without notice for improvement.

## 1. General Specification(TV)

No	Item	Specification	Remark
1.	Video input applicable system	PAL-D/K, B/G, I, SECAM	
2.	Receivable Broadcasting System	1) PAL/SECAM BG 2) PAL/SECAM DK 3) PAL I/I 4) SECAM L/L' 5) DVB-T	EU(PAL Market)
3.	RF Input Channel	VHF : E2 ~ E12 UHF : E21 ~ E69 CATV : S1 ~ S20 HYPER : S21~ S47	PAL
4.	Input Voltage	100 - 240~ / 50Hz, 60Hz	
5.	Market	EU	
6.	Picture Size	32 inch	
7.	Tuning System	FVS 100 program	PAL, 200 PR.(Option)
8.	Operating Environment	1) Temp : 0 ~ 40 deg 2) Humidity : 10~90 %	
9.	Storage Environment	3) Temp : -20 ~ 50 deg 4) Humidity : 10~90 %	
10.	Display	LCD Module	LPL

## 2. General Specification

No	Item	Specification	Remark
1	Panel	32" TFT WXGA LCD	
2	Frequency range	H : 45 ~ 50Khz V : 47 ~ 63Hz	PC Input
3	Power consumption	26inch      ≤ 4.6 W	
		32inch      ≤ 5.54 W	
4	LCD Module- LPL(32inch)	Type Size      32"      760.0 x 450.0 x 42.8(mm)	(H)x(V)x(D)
		Pixel Pitch      32"      170.25 x 510.75 x RGB(μm)	
		Pixel Format      1366 horiz. By 768 vert. Pixels RGB strip arrangement	
		Coating      Hard coating (3H), Anti-glare reatment of the front polarizer	
		Back Light      32"      18EEFL	

### 3. Optical Feature(LCD Module-LPL)

No	Item	Specification		Min.	Typ.	Max.	Remark
1	Viewing Angle [CR>10]	R/L, U/D		178, 178			
2	Luminance	Luminance(cd/m <sup>2</sup> )		320	400		32"
		Variation				1.3	MAX/MIN
3	Contrast Ratio	CR(32")		600	800		All White/All Black
		CR <sub>D</sub> (With)(32")		1200	1600		All White/All Black
4	CIE Color Coordinates	White	Wx	Typ -0.03	0.285	Typ +0.03	LPL(26")
			Wy		0.293		
		Red	Xr		0.640		
			Yr		0.343		
		Green	Xg		0.280		
			Yg		0.605		
		Blue	Xb		0.145		
			Yb		0.065		

### 4. Component Video Input (Y, Pb, Pr)

No	Specification			Proposed
	Resolution	H-freq(kHz)	V-freq(Hz)	
1.	720x480	15.73	60.00	SDTV, DVD 480i
2.	720x480	15.63	59.94	SDTV, DVD 480i
3.	720x480	31.47	59.94	480p
4.	720x576	15.625	50.00	SDTV, DVD 625 Line
5.	720x576	31.25	50.00	HDTV 576p
6.	1280x720	45.00	50.00	HDTV 720p
7.	1280x720	44.96	59.94	HDTV 720p
8.	1920x1080	31.25	50.00	HDTV 1080i
9.	1920x1080	33.75	60.00	HDTV 1080i
10.	1920x1080	33.72	59.94	HDTV 1080i

### 6. RGB PC INPUT Mode Table

No	Resolution	H-freq(kHz)	V-freq.(Hz)	Pixel clock(MHz)	Proposed
1.	720X400	31.468	70.08	28.321	
2.	640X480	31.469	59.94	25.17	VESA
		37.684	75.00	31.50	
3.	800X600	37.879	60.31	40.00	VESA
		46.875	75.00	49.50	
4.	832X624	49.725	74.55	57.283	
5.	1024X768	48.363	60.00	65.00	VESA(XGA)
		56.470	70.00	75.00	
		60.123	75.029	78.75	
6.	1280X768	47.776	59.870	79.50	VESA(WXGA)
7.	1360X768	47.720	59.799	84.75	VESA(WXGA)
8.	1366X768	47.720	59.799	84.75	Supported
9.	1920X1080	67.50	60.00	148.50	

## 7. HDMI DTV Mode Table

No	Resolution	H-freq(kHz)	V-freq.(Hz)	Pixel clock(MHz)	Remark	Proposed
1.	640X480	31.50	59.94	25.175	SDTV 480p 60Hz	
2.	640X480	31.50	60	25.20	SDTV 480p 60Hz	
3.	720X480	31.47	59.94	27.00	SDTV 480p 60Hz	
4.	720X480	31.47	60	27.027	SDTV 480p 60Hz	
5.	720X576	31.25	50.00	27.000	SDTV 576p 50Hz	
6.	1280X720	45.00	50.00	74.176	HDTV 720p 50Hz	HDCP
7.	1280X720	44.96	59.94	74.176	HDTV 720p 60Hz	HDCP
8.	1280X720	44.96	60	74.250	HDTV 720p 60Hz	HDCP
9.	1920X1080	28.13	50.00	74.250	HDTV 1080i 50Hz	HDCP
10.	1920X1080	33.72	59.94	74.176	HDTV 1080i 60Hz	HDCP
11.	1920X1080	33.75	60	74.250	HDTV 1080i 60Hz	HDCP
12.	1920X1080	27	24	74.250	HDTV 1080P 24Hz	HDCP
13.	1920X1080	56.25	50.00	148.500	HDTV 1080P 50Hz	HDCP
14.	1920X1080	67.43	59.94	148.352	HDTV 1080P 60Hz	HDCP
15.	1920X1080	67.50	60	148.500	HDTV 1080P 60Hz	HDCP

## 8. HDMI INPUT Mode Table

No	Resolution	H-freq(kHz)	V-freq.(Hz)	Pixel clock(MHz)	Proposed
1.	720X400	31.468	70.08	28.321	
2.	640X480	31.469 37.684	59.94 75.00	25.17 31.50	VESA
3.	800X600	37.879 46.875	60.31 75.00	40.00 49.50	VESA
4.	832X624	49.725	74.55	57.283	
5.	1024X768	48.363 56.470 60.123	60.00 70.00 75.029	65.00 75.00 78.75	VESA(XGA)
6.	1280X768	47.776	59.870	79.50	VESA(WXGA)
7.	1360X768	47.720	59.799	84.75	VESA(WXGA)
8.	1366X768	47.720	59.799	84.75	Supported
9.	1920X1080	67.50	60.00	148.50	



# ADJUSTMENT INSTRUCTION

## 1. Application Range

This spec. sheet is applied to all of the LD73A chassis manufactured at LG TV Plant all over the world.

## 2. Specification.

- 1) Because this is not a hot chassis, it is not necessary to use an isolation transformer.  
However, the use of isolation transformer will help to protect test instruments
- 2) Adjustment must be done in the correct sequence.
- 3) The adjustment must be performed at 25±5°C temperature and 65±10% relative humidity if there is no specified designation.
- 4) The input voltage of the receiver must be kept between 100-220V~, 50/60Hz.
- 5) Before adjustment, execute Heat-Run for 30 minutes at RF no signal.

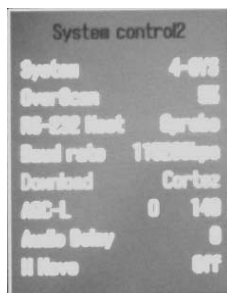
## 3. Channel Memory

### 3.1. Setting up the LGIDS

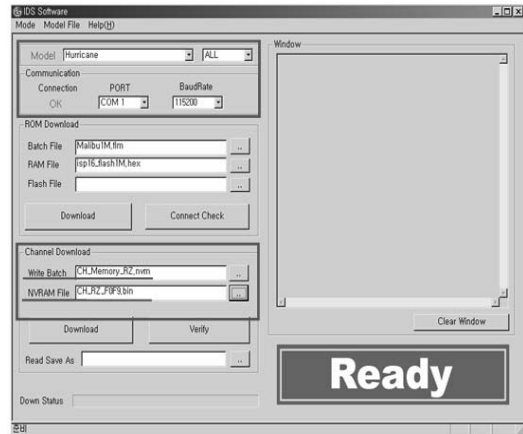
- 1) Install the LGIDS
- 2) After installation, restart your PC.
- 3) Extract [files.zip] to folder [c:\LGIDS\files]
- 4) Start LGIDS.

### 3.2 Channel memory method

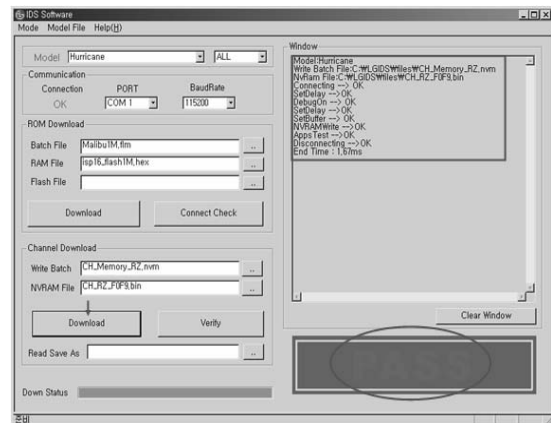
- 1) Press TILT key in Adjust remote(Automatic setting).
- 2) Setting up like bottom figure  
[Confirmation: Press ADJ Key in the Adjust remote control. Select "**System Control2**" by using ▲/▼ (CH+/-) key, and press ■ (ENTER). RS-232 Host : Gprobe, Baud Rate : 115200bps, Download:Cortez]



- 6) Select proper CH\_memory file(\*.nvm) for each model at [Channel Download] => [Write Batch].  
Next, select proper binary file(\*.bin) including the CH information for each model at [Channel Download] => [NVRAM File].



- 7) Click the [Download] button.  
It means the completion of the CH memory download if all items show 'OK' and Status is changed by 'PASS' at the lower right corner of the window.






- 3) Connect RS232 cable .(Use the general RS-232C Twisted Serial Cable).
- 4) Operate LGIDS
- 5) Select "Hurricane" and "ALL" on Model dialog and check your connection in Communication dialog.  
(If your connection is 'NG', then set your PORT(COM1,2,3,...) correctly. If your connection has completed, you can see "Ready")

## 4. EDID

\* Caution

- 1) Use the proper signal cable for EDID Download
  - Analog EDID : Pin3 exists
  - Digital EDID : Pin3 exists
- 2) Never connect HDMI & D-sub Cable at the same time.
- 3) Use the proper cables below for EDID Writing.
- 4) Download HDMI1, HDMI2 separately because HDMI1 is different from HDMI2.

For Analog EDID	For HDMI EDID	
D-sub to D-sub	DVI-D to HDMI or HDMI ro HDMI	
		

### 4.1. EDID Data

Item	Condition	Data(Hex)
Manufacturer ID	GSM	1E6D
Version	Digital : 1	01
Revision	Digital : 3	03

### 4.2. Data

(1) ANALOG (128 bytes)

	0x00	0x01	0x02	0x03	0x04	0x05	0x06	0x07	0x08	0x09	0x0A	0x0B	0x0C	0x0D	0x0E	0x0F
0x00	0	FF	FF	FF	FF	FF	FF	0	1E	6D	(a)	(b)				
0x01	(c)	1	3	1	46	27	78	EA	D9	B0	A3	57	49	9C	25	
0x02	11	49	4B	A5	6E	0	31	40	45	40	61	40	D1	C0	1	1
0x03	1	1	1	1	1	1	1B	21	50	A0	51	0	1E	30	48	88
0x04	35	0	BC	86	21	0	0	1C	26	36	80	A0	70	38	1F	40
0x05	50	20	85	4	BC	86	21	0	0	18			(d)			
0x06				(e)									0	0	0	FD
0x07	0	3C	4B	1D	43	0E	0	0A	20	20	20	20	20	20	0	(e-1)

(2) HDMI 1 (256 bytes)=>

	0x00	0x01	0x02	0x03	0x04	0x05	0x06	0x07	0x08	0x09	0x0A	0x0B	0x0C	0x0D	0x0E	0x0F
0x00	0	FF	FF	FF	FF	FF	FF	0	1E	6D	(a)	(b)				
0x01	(c)	1	3	80	46	27	78	EA	D9	B0	A3	57	49	9C	25	
0x02	11	49	4B	A5	6E	0	31	40	45	40	61	40	D1	C0	1	1
0x03	1	1	1	1	1	1	2	3A	80	18	71	38	2D	40	58	2C
0x04	45	0	C4	8E	21	0	0	1E	1B	21	50	A0	51	0	1E	30
0x05	48	88	35	0	BC	86	21	0	0	1C			(d)			
0x06				(e)									0	0	0	FD
0x07	0	32	4B	1C	43	0F	0	0A	20	20	20	20	20	20	1	(e-2)
0x08	2	3	21	F1	4E	2	11	1	3	12	13	4	14	5	21	1F
0x09	20	22	10	23	9	7	7	83	1	0	0	65	3	0C	0	10
0x0A	0	1	1D	0	BC	52	D0	1E	20	B8	28	55	40	C4	8E	21
0x0B	0	0	1E	1	1D	0	72	51	D0	1E	20	6E	28	55	0	C4
0x0C	8E	21	0	0	1E	1	1D	80	D0	72	1C	16	20	10	2C	25
0x0D	80	C4	8E	21	0	0	9E	8C	0A	D0	90	20	40	31	20	0C
0x0E	40	55	0	C4	8E	21	0	0	18	4E	1F	0	80	51	0	1E
0x0F	30	40	80	37	0	BC	88	21	0	0	18	0	0	0	0	(f-1)

=> Detail EDID Options are below (a, b, c, d, e-1, e-2, f-1, f-2)

(3) HDMI 2 (256 bytes)

	0x00	0x01	0x02	0x03	0x04	0x05	0x06	0x07	0x08	0x09	0x0A	0x0B	0x0C	0x0D	0x0E	0x0F
0x00	0	FF	FF	FF	FF	FF	FF	0	1E	6D	(a)	(b)				
0x01	(c)	1	3	80	46	27	78	EA	D9	B0	A3	57	49	9C	25	
0x02	11	49	4B	A5	6E	0	31	40	45	40	61	40	D1	C0	1	1
0x03	1	1	1	1	1	1	2	3A	80	18	71	38	2D	40	58	2C
0x04	45	0	C4	8E	21	0	0	1E	1B	21	50	A0	51	0	1E	30
0x05	48	88	35	0	BC	86	21	0	0	1C			(d)			
0x06				(e)									0	0	0	FD
0x07	0	32	4B	1C	43	0F	0	0A	20	20	20	20	20	20	1	(e-2)
0x08	2	3	21	F1	4E	2	11	1	3	12	13	4	14	5	21	1F
0x09	20	22	10	23	9	7	7	83	1	0	0	65	3	0C	0	10
0x0A	0	1	1D	0	BC	52	D0	1E	20	B8	28	55	40	C4	8E	21
0x0B	0	0	1E	1	1D	0	72	51	D0	1E	20	6E	28	55	0	C4
0x0C	8E	21	0	0	1E	1	1D	80	D0	72	1C	16	20	10	2C	25
0x0D	80	C4	8E	21	0	0	9E	8C	0A	D0	90	20	40	31	20	0C
0x0E	40	55	0	C4	8E	21	0	0	18	4E	1F	0	80	51	0	1E
0x0F	30	40	80	37	0	BC	88	21	0	0	18	0	0	0	0	(f-2)

=> Detail EDID Options are below (a, b, c, d, e-1, e-2, f-1, f-2)

(a) Product ID

(b) Serial No: Controlled on production line.

(c) Month, Year: Controlled on production line:

ex) Monthly : '09' -> '09'

Year : '2006' -> '10'

(d) Model Name(Hex):

Nome di modello	Dait(Hex)
26LC4D-ZA	000000FC0032364C4334442D5A410A202020
26LC7D-ZA	000000FC0032364C4337442D5A410A202020
32LC4D-ZA	000000FC0033374C4334442D5A410A202020
32LC7D-ZA	000000FC0033324C4337442D5A410A202020
37LC4D-ZA	000000FC0033374C4334442D5A410A202020
37LC7D-ZA	000000FC0033374C4337442D5A410A202020
42LC4D-ZA	000000FC0034324C4334442D5A410A202020
42LC7D-ZA	000000FC0034324C4337442D5A410A202020

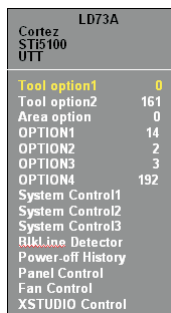
(e-1, e-2, f-1, f-2) Checksum: Changeable by total EDID data.

Nome di modello	(e)-1(Hex)	(e)-2(Hex)	(f)-1(Hex)	(f)-2(Hex)
26LC4D	90	CF	CC	BC
26LC7D	8D	CC	CC	BC
32LC4D	93	D2	CC	BC
32LC7D	90	CF	CC	BC
37LC4D	8E	CD	CC	BC
37LC7D	8B	CA	CC	BC
42LC4D	92	D1	CC	BC
42LC7D	8F	CE	CC	BC

\* Before AV ADC Calibration, should be executed the "Tool option 1"

## 5. Select method of Tool option 1

- 1) Press ADJ Key in the Adjust remote control.
- 2) Select "Tool option 1" by using ▲/▼ (CH+/-) key, and press ■(ENTER).



- 3) Select "Maker" by using ▲/▼ (CH+/-) key, and change the module maker and. applied module classification by using ◀/▶ (VOL+/-).
- 4) Select "Inch" by using ▲/▼ (CH+/-) key, and change the module according to the inch of model.
- 5) Select "Tool" by using ▲/▼ (CH+/-) key, and change the tool name according to the model.



(Inch of model : 26", 32", 37", 42", Applied module under the classification)

	Creatore	Pollice	Attrezzo
0	LPL	26	LD4D
64			LD7D
2	CMO		LD4D
66			LD7D
4	LPL	32	LD4D
68			LD7D
8	LPL	37	LD4D
72			LD7D
12	LPL	42	LD4D
76			LD7D

## 6. ADC Calibration

ADC	RF/AV/S-VIDEO	Component	RGB-PC
MSPG925F	PALJ	Model:215 (720P)	Model: 3
	INPUT SELECT	Pattern:65	(1024*768 60Hz)
	AV3	Model: 202 (PAL-BGDHI)	Pattern: 65
		720P/50Hz	
	Pattern: 65	7 Color Bar	
	PAL 7 Color Bar		

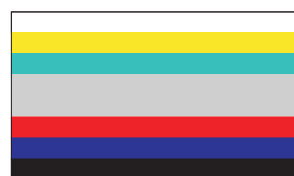
<Caution>

- System control RS-232 Host should be "PC" for adjustment.
- Before AV ADC Calibration, execute the "Module selection".

### 6.1. Adjustment of RF/AV/S-VIDEO

#### (1) Required Equipments

- Remote controller for adjustment
- MSPG-925FS Pattern Generator (Which has Video Signal: 7 Color Bar Pattern shown in Fig. 1)  
=> Model: 202 / Pattern: 65



<Fig. 1>

#### (2) Method of Auto RF/AV/S-VIDEO Color Balance.

- 1) Input the Video Signal: 7 Color Bar signal into AV3.
- 2) Set the PSM to Dynamic mode in the Picture menu.
- 3) Press **IN-START** key on R/C for adjustment.
- 4) Press the ▶(Vol.+) key to operate the set, then it becomes automatically.
- 5) Auto-RGB OK means the adjustment is completed.

### 6.2 Adjustment of Component.

#### (1) Required Equipments

- Remote controller for adjustment
- MSPG-925FS Pattern Generator (Which has 720p/60Hz YPbPr output Pattern shown in Fig. 1 )  
=> Model:215/Pattern: 65

#### (2) Method of Auto Component Color Balance

- 1) Input the Component 720p/50Hz 7 Color Bar(MSPG-925FS model:215, pattern:65) signal into Component.
- 2) Set the PSM to Dynamic mode in the Picture menu
- 3) Press the IN-START key on R/C for adjustment.
- 4) Press the ▶(Vol.+) key to operate the set , then it becomes automatically.
- 5) Auto-RGB OK means the adjustment is completed.

## 6.3 Adjustment of RGB

### (1) Required Equipments

- Remote controller for adjustment
- MSPG-925F Pattern Generator (Which has XGA [1024\*768] 60Hz 8 Color Bar pattern shown in Fig. 1)

### (2) Method of Auto RGB Color Balance

- 1) Input the PC 1024x768@60Hz 100% Color Bar pattern (MSPG-925F model:37, pattern:33) into RGB. (Using D-sub to D-sub cable)
- 2) Set the PSM to Dynamic mode in Picture menu.
- 3) Press the IN-START key on R/C for adjustment
- 4) Press the ►(Vol.+) key operate To set , then it becomes automatically.
- 5) Auto-RGB OK means adjustment is completed.

\* Before White-balance, the AV ADC should be done.

## 7. White Balance

\* Test Equipment

Color Analyzer (CA-210/CH.9)

-> When you adjust LCD color temperature, on Color analyzer (CA-210), you should use Channel 9 which is Matrix compensated (White, Red, Green, Blue revised) by CS-1000 and adjust in accordance with White balance adjustment coordinate which is specified on the next.

\* Color temperature standards according to CSM and Module

Cool : 11,000k  
Medium : 9,300k  
Warm : 6,500k

\* White balance adjustment coordinate and color temperature

Cool	CS-1000	CA-210(CH 9)
x	0.276	0.276±0.002
y	0.283	0.283±0.002
Δuv	0.000	0.000
Medium	CS-1000	CA-210(CH 9)
x	0.285	0.285±0.002
y	0.293	0.293±0.002
Δuv	0.000	0.000
Warm	CS-1000	CA-210(CH 9)
x	0.313	0.313±0.002
y	0.329	0.329±0.002
Δuv	0.004	0.004

- PC (for communication through RS-232C)

-> UART Baud rate : 115200 bps

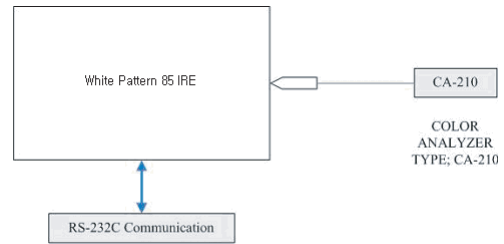
- Luminance Y AV : upper 150 cd/β≥ (Typ : 350 cd/β≥)

-> Applying to Cool, Medium, Warm mode

\* Connecting picture of the measuring instrument (On Automatic control)

Inside PATTERN is used when W/B is controlled. Connect to auto controller or push control R/C IN-START

-> Enter the mode of White-Balance, the pattern will come out.



<Fig. 2> Connecting picture (On Automatic Control)

\* Auto-control interface and directions

- 1) Adjust in the place where the influx of light like floodlight around is blocked. (illumination is less than 10ux).
- 2) Adhere closely the Color Analyzer ( CA-210 ) to the module less than 10cm distance, keep it with the surface of the Module and Color Analyzer's Prove vertically.(80~100°).
- 3) Aging time
  - After aging start, keep the power on (no suspension of power supply) and heat-run over 15 minutes.
  - Using 'no signal' or 'full white pattern' or the others, check the back light on.

### 7.1 Manual white Balance

- One of R Gain / G Gain / B Gain should be kept on 80, and others are controlled lowering from 80

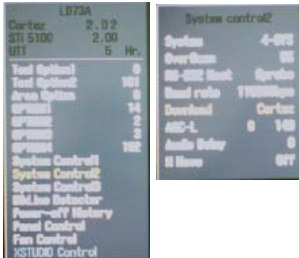
- 1) Press 'power on' of the control R/C, set heat run to white by pressing ►, and heat run over 15 minutes. (Set : RS-233 Host : PC, Baud Rate : 115200bps, Download : Cortez)
- 2) Zero Calibrate CA-210, and when controlling, stick the sensor to the center of LCD module surface.
- 3) Double click In-start key on Controlling R/C and get in 'white balance'.
- 4) Set test-pattern on and display inside pattern. Control is carried out on three color temperature, COOL, MEDIUM, WARM. (Control is carried out three times,)
- 5) When the R/G/B GAIN is 80 on OSD, it is the FULL DYNAMIC Range of the Module. In order to control white balance without the saturation of FULL DYNAMIC Range and DATA, one of R Gain / G Gain / B Gain should be kept on 80, and other two is controlled lowering from 80.

\* Color Temperature: Cool, Medium, Warm

- 1) When R GAIN is set to 80
    - Control G GAIN and B GAIN by lowering from 80.
  - 2) When B GAIN is set to 80
    - Control R GAIN and G GAIN by lowering from 80.
  - 3) When G GAIN is set to 80
    - Control R GAIN and B GAIN by lowering from 80.
- One of R Gain / G Gain / B Gain should be kept on 80, and adjust other two lower than 80.  
(When R/G/B GAIN are all 80, it is the FULL DYNAMIC Range of Module)

## 8. Set information(Serial No & Model name)

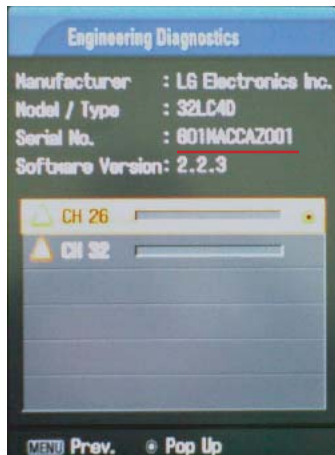
- (1) Setting up like bottom figure (After setting white balance, this is set)
- 1) Press ADJ Key in the Adjust remoon.
  - 2) Select "System Control 2" by using ▲/▼(CH+/-) key, and press ■(ENTER).
  - 3) Using Adjust remoon, RS-232 Host & Baud Rate & Download value change (RS-232 Host:Gprobe, Baud Rate:115200bps, Download:Cortez)



- (2) Bar-code scanning
- 1) Push the menu button in DTV mode.  
Select the STATION -> Diagnostics -> To set



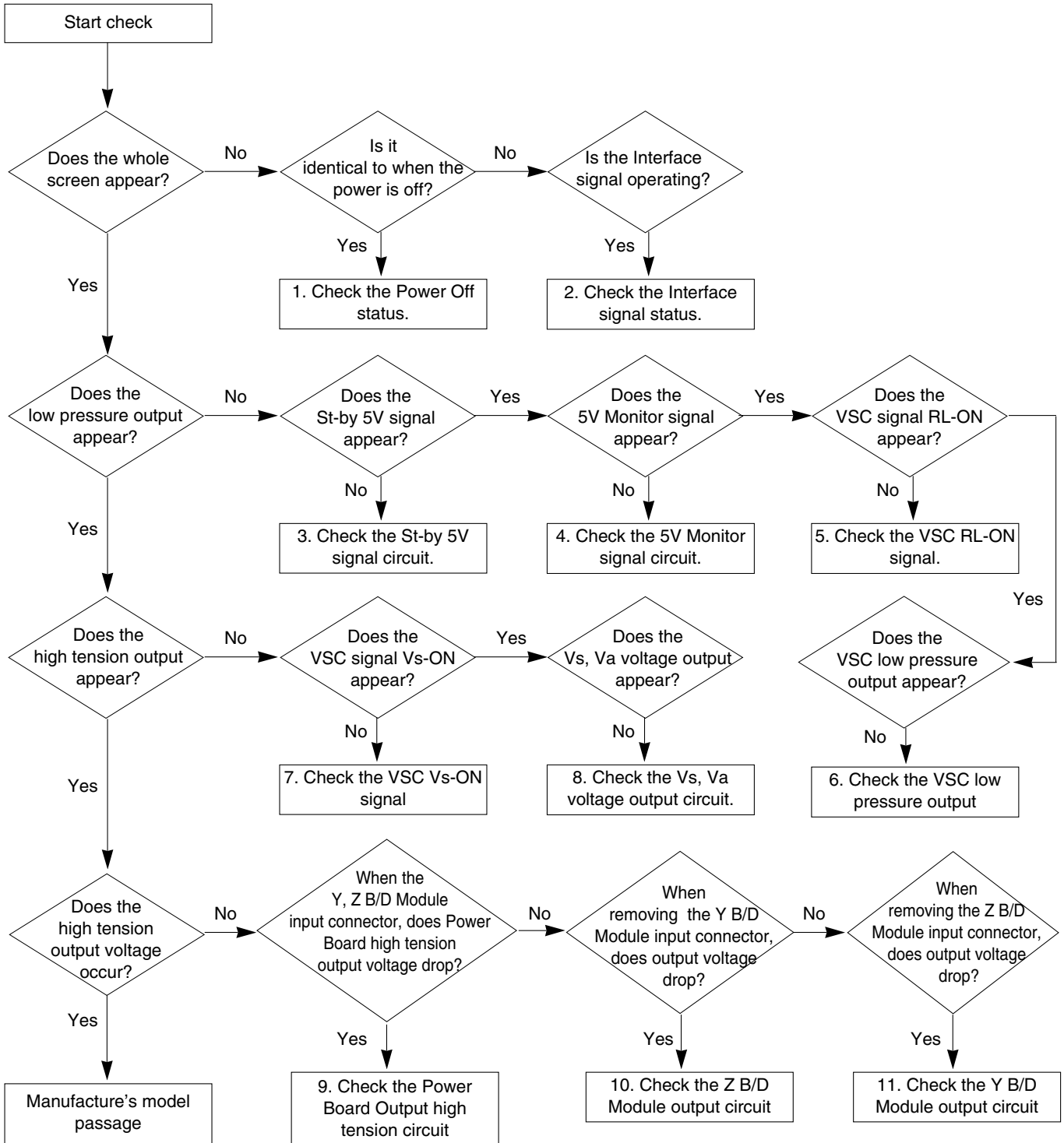
- 2) Check the Serial Number.



# TROUBLESHOOTING

## 1. Power Board

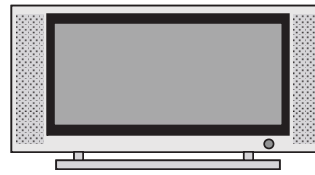
### 1-1. The full flowchart for the voltage output



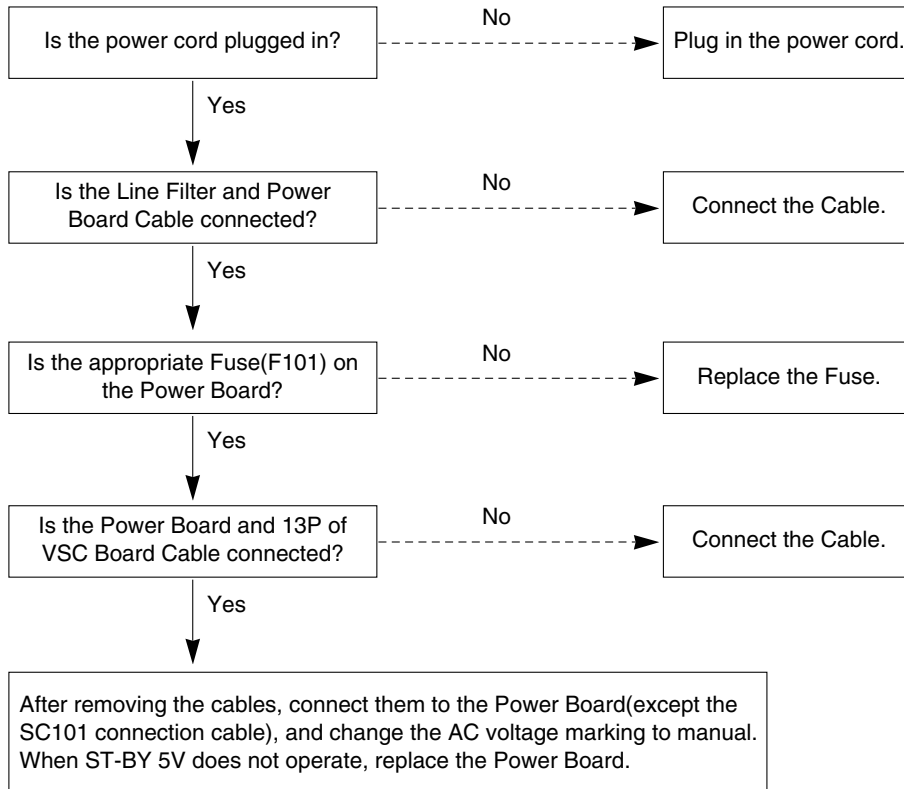
## 2. No Power

### (1) Symptom

- 1) Does not minute discharge at module.
- 2) Non does not come into the front LED.



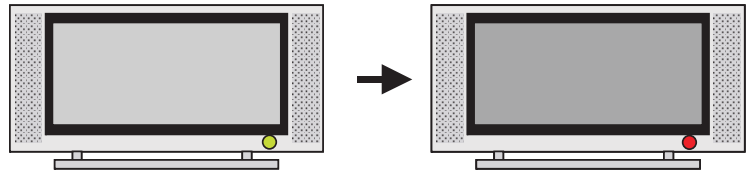
### (2) Procedure check



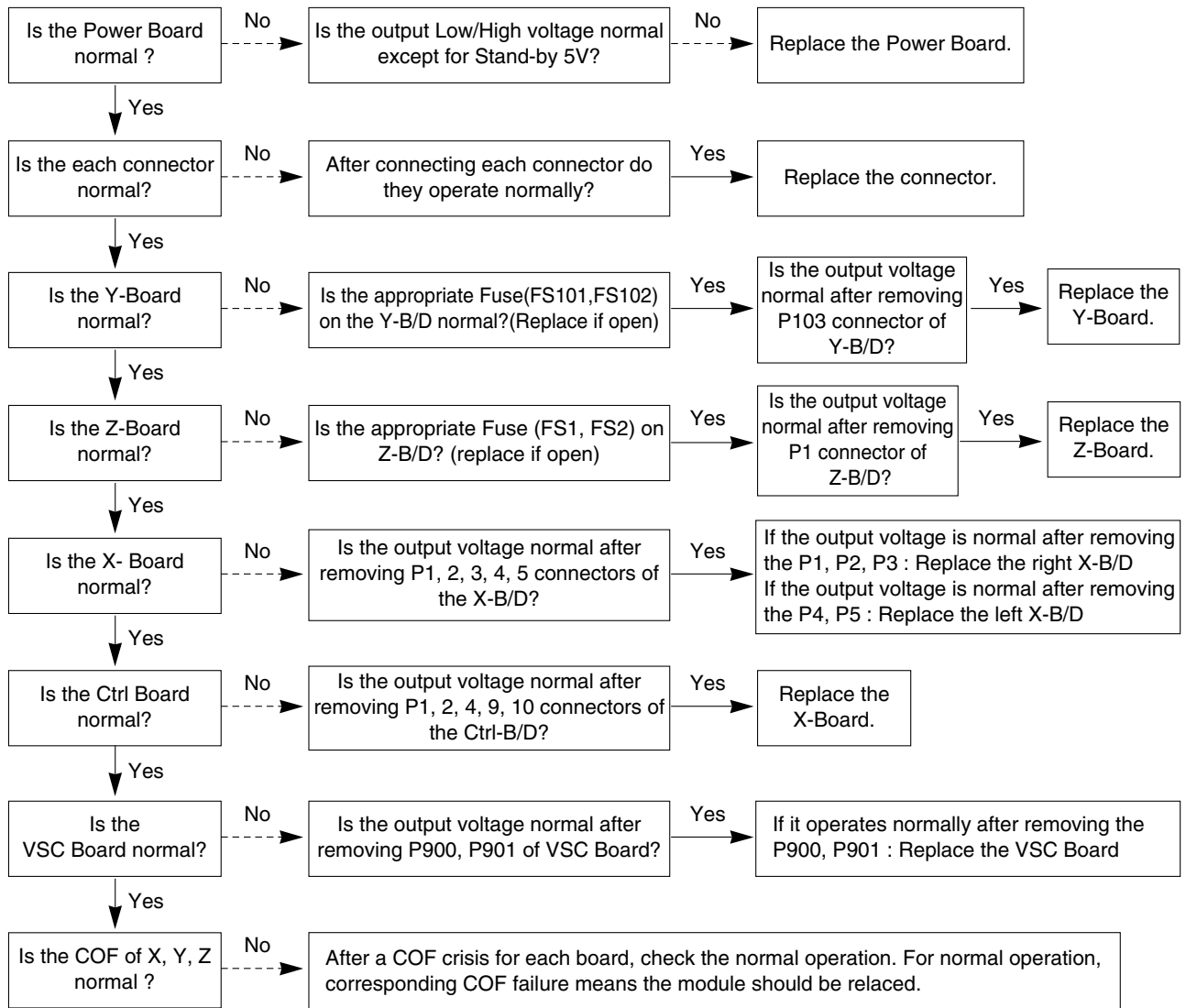
### 3. Protect Mode

#### (1) Symptom

- 1) After lighting up once, it does not discharge minutely from module.
- 2) The relay falls.(there is an audible "click")
- 3) The color of the front LED turns from green to red.



#### (2) Procedure check

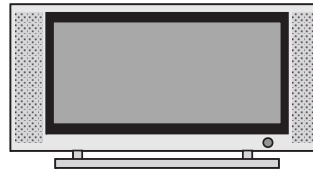




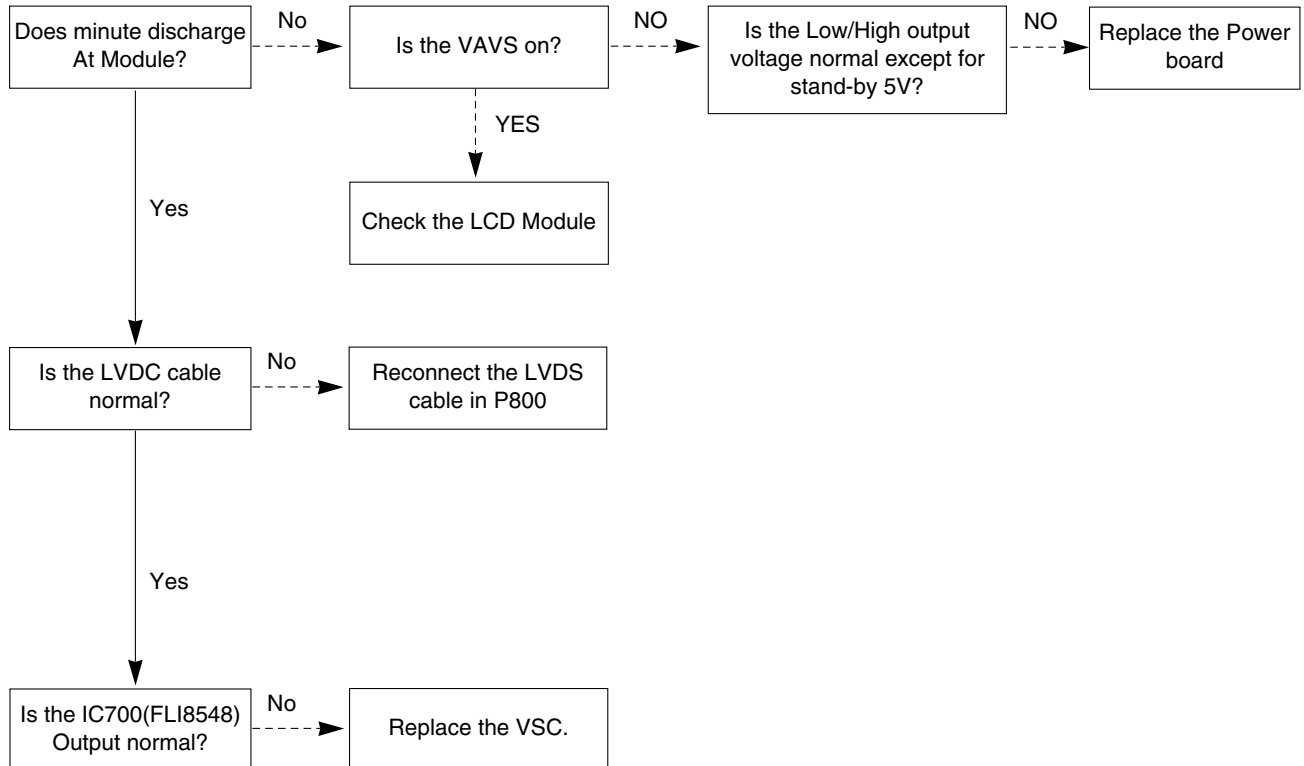
## 4. No Raster

### (1) Symptom

- 1) No OSD and image occur at screen.
- 2) It maintains the condition where the front LED is green.



### (2) Procedure check

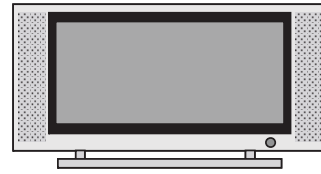


## 5. In case of strange screen display in specific modes

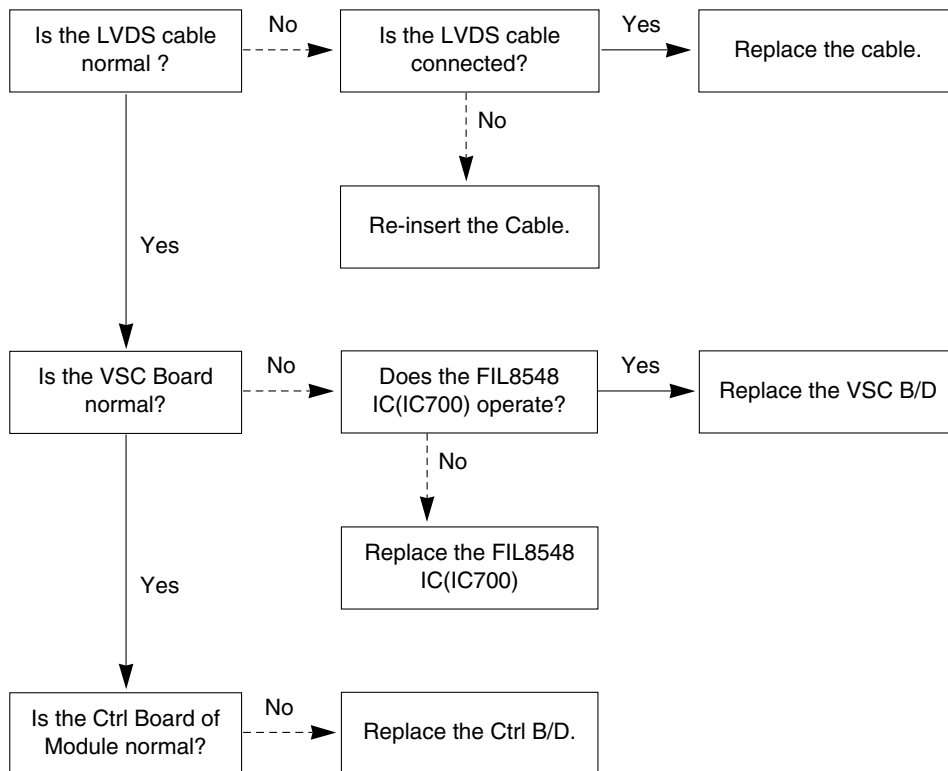
### 5-1. In case of no OSD display

#### (1) Symptom

- 1) LED is green.
- 2) The minute discharge is continuously accomplished from the module.



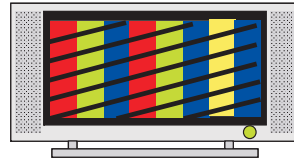
#### (2) Procedure check



## 5-2. In case there is no display on the screen in specific modes

### (1) Symptom

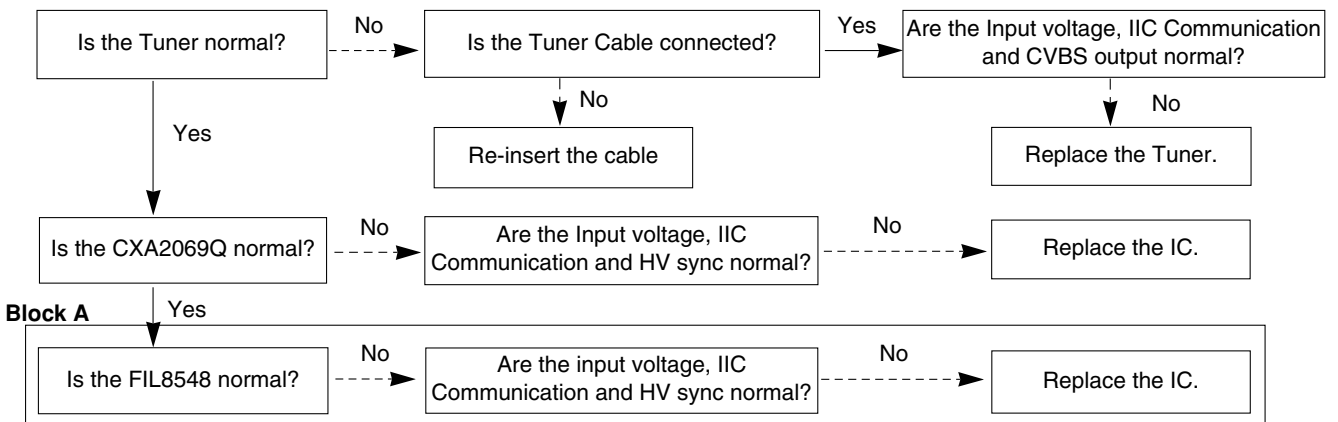
- 1) There is no screen display from a specific input mode (RF, AV, Component, RGB, DVI).



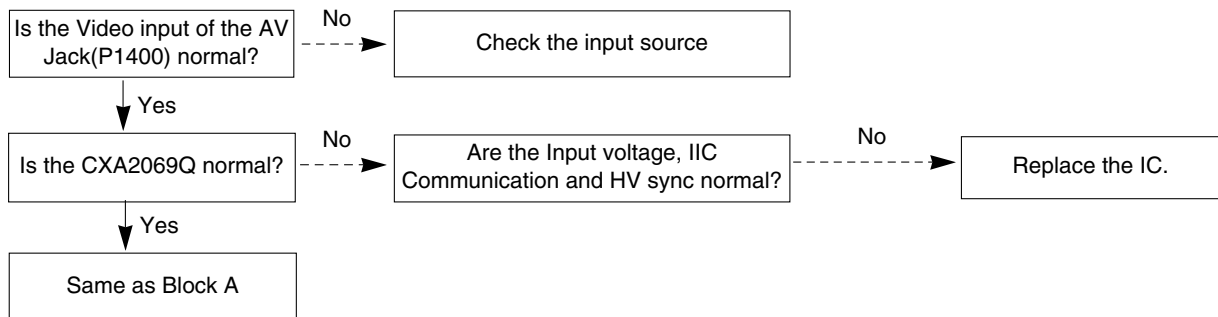
### (2) Procedure check

- 1) Check the all input modes have normal display.
- 2) Check the video(main)/ data(sub), video(main)/ video(sub) have normal displays from the PIP mode or DW mode(re-check it/ swap).

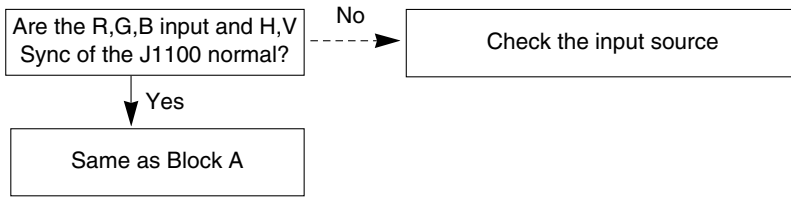
### (3) In case of an unusual display in RF mode



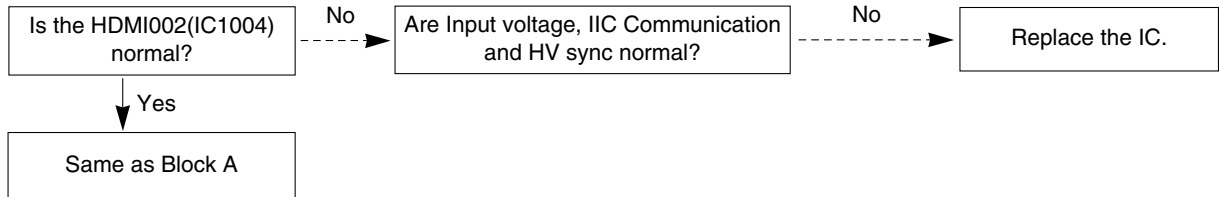
### (4) In case of an unusual display in side S-video/ AV mode



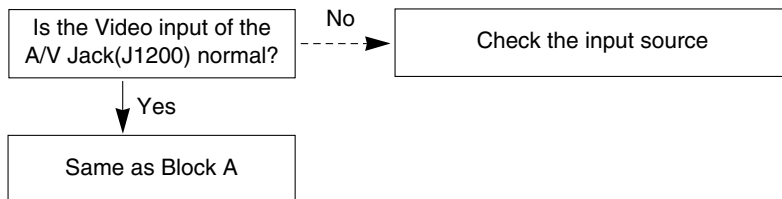
**(5) In case of an unusual display in Component, RGB mode**



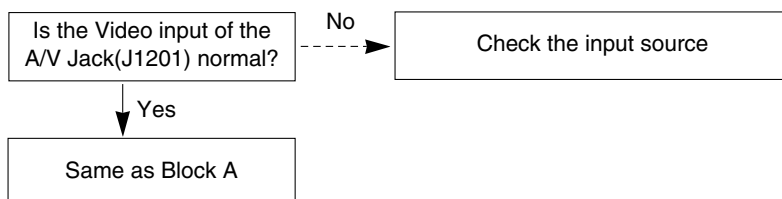
**(6) In case of an unusual display in HDMI mode**



**(7) In case of an unusual display in SCART1 mode**



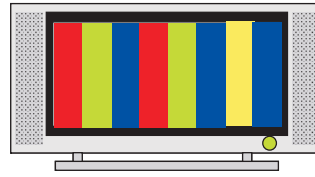
**(8) In case of an unusual display in SCART2 mode**



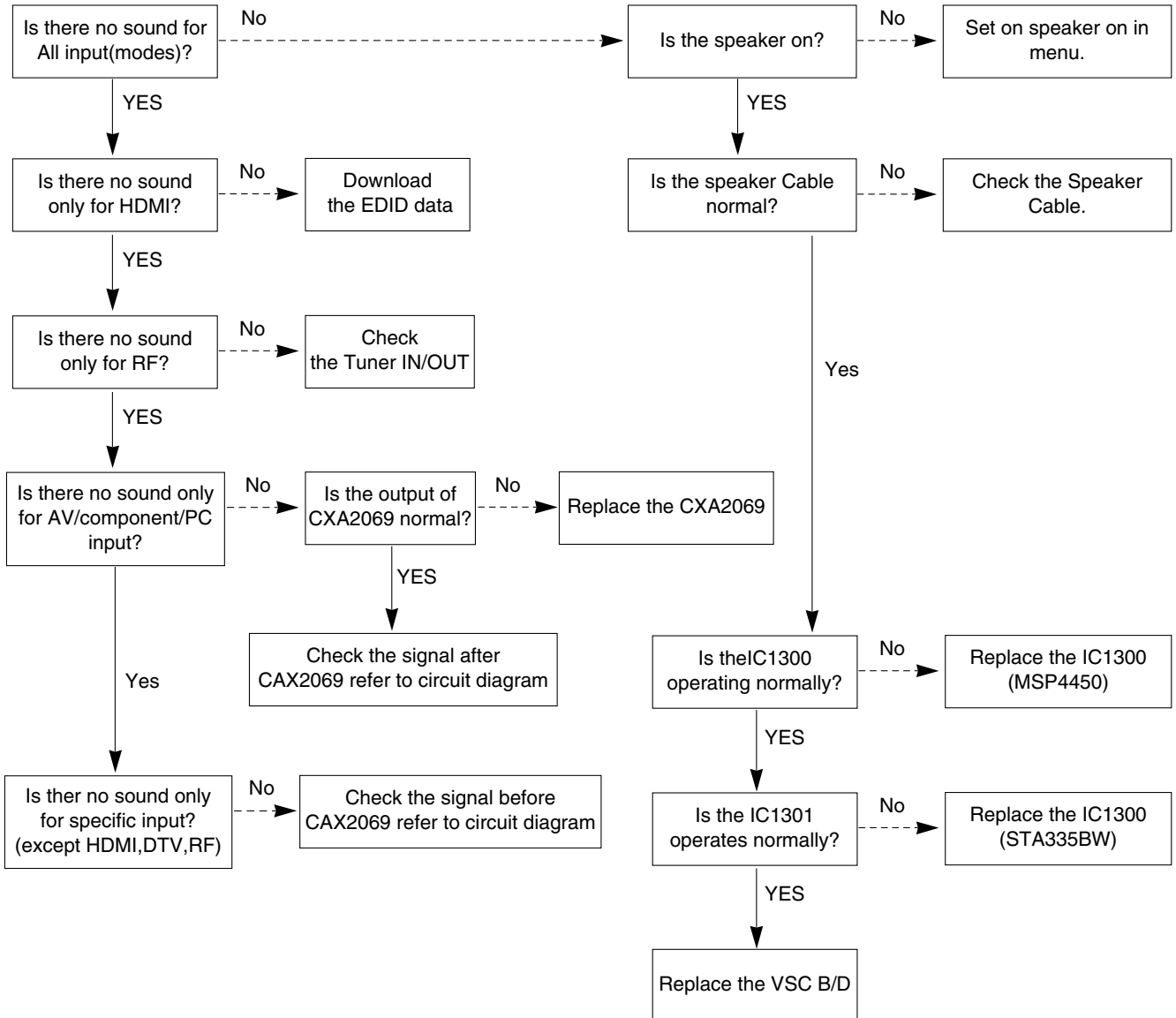
## 6. In case of no sound

### (1) Symptom

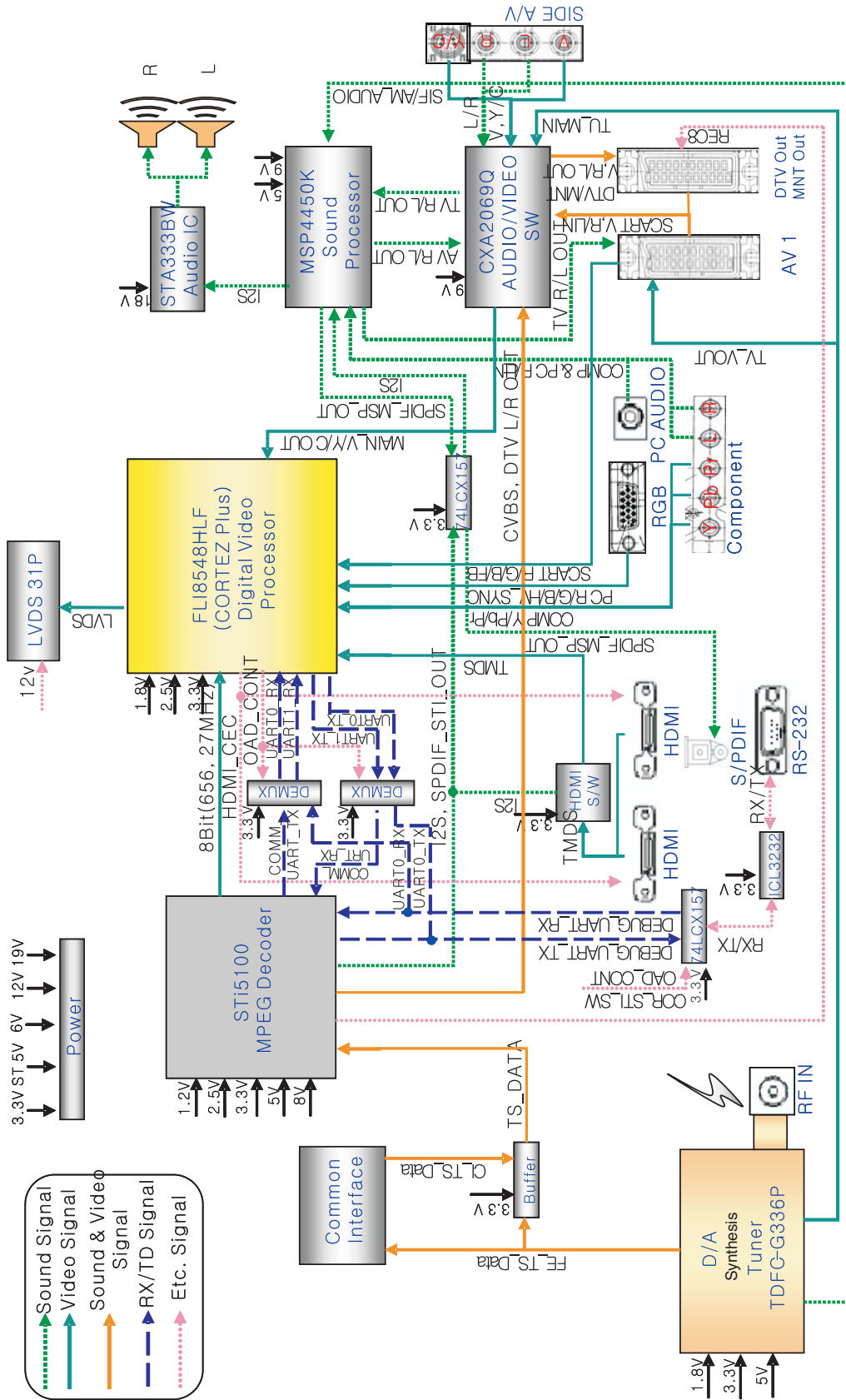
- 1) LED is Green.
- 2) Screen display appears but there is no sound.



### (2) Procedure check

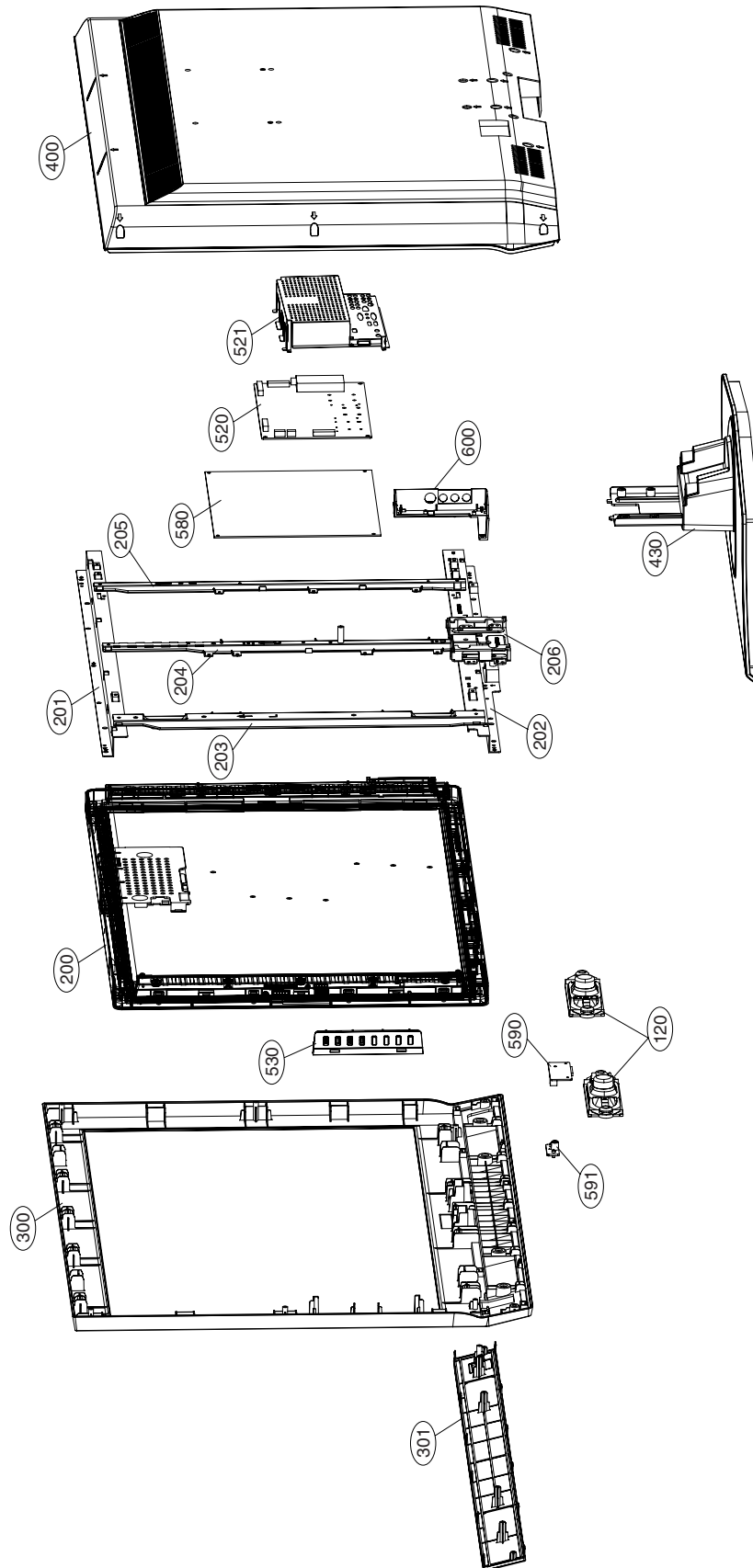


# BLOCK DIAGRAM



# MEMO

# EXPLODED VIEW





## EXPLODED VIEW PARTS LIST

No.	PART NO.	DESCRIPTION
	120	EAB33496901 Speaker,Full Range 5B084 ND 10W 8OHM 82DB 120HZ 147 X 42 X 31 LUG ESTEC
⚠	200	EAJ37543301 LCD,Module-TFT LC320WX4-SLD2 WXGA 32INCH 1366X768 500CD COLOR 72% 16/9
	201	MJH32520204 Supporter PRESS EGI 1.2t GUIDE EGI METAL BAR, TOP (32LC5) Europass3
	202	MJH32520404 Supporter PRESS EGI 1.2t GUIDE EGI METAL BAR, BOTTOM (32LC5) Europass3
	203	MJH32520501 Supporter PRESS EGI 1.0t GUIDE EGI METAL BAR, FOR POWER (32LC4)
	204	MJH32520601 Supporter PRESS EGI 1.0t GUIDE EGI METAL BAR, MIDDLE (32LC4)
	205	MJH32520701 Supporter PRESS EGI 1.0t GUIDE EGI METAL BAR, FOR MAIN (32LC4)
	206	MGJ32973601 Plate, PRESS SECC 1.6 SUPPORTER SBHG-A METAL JIG BOTTOM
⚠	300	ABJ32467302 Cabinet Assembly 32LC7DA LT73A 32" CABINET ASSY FOR TAIWAN
		ABJ32885603 Cabinet Assembly 32LC52-ZC LP78A 32" H&C + DIRECT Hole, C/SKD
	301	ABA33223901 Bracket Assembly GRILLE 32LC7 LP78A -
⚠	400	ACQ32467621 Cover Assembly,Rear 32LC55/7D-ZA LD73A - PHANTOM 32" EUROPASS3 BACK COVER
⚠	430	AAN31752703 Base Assembly STAND 32LC4 TOOL LA64F STAND ASSY C/SKD
		AAN31752704 Base Assembly STAND 32LC4 TOOL LA64F STAND ASSY C/SKD H&C
	520	EBR37029503 PCB Assembly,Main MAIN1 T.T LD73A 32LC4D-ZA SEUVLJG Separation-Tuner MAIN TOTAL
	521	MJH32521103 Supporter PRESS EGI 0.5t GUIDE EGI METAL, REAR SHIELD (32LC4)
		MJH32521113 Supporter PRESS EGI 0.5t GUIDE EGI METAL, REAR SHIELD (32LC4/7D-ZA)
	530	EBR34778401 PCB Assembly,Sub SUB T.T LD73A 37LC4D-ZN AEULLHX CONTROL TOTAL
⚠	580	EAY34795001 Power Supply Assembly LGIT_32inch FREE Tornado 32inch LCD LGIT LCD Tornado 32inch
	590	EBR35734601 PCB Assembly,Sub SUB T.T LD73A 42LC7D-ZA AEUVLHX IR/LED TOTAL
	591	MKC34384901 Window MOLD PMMA WINDOW 32/37/42/47LC7 PMMA LED & PRE AMP
		MES36332301 Indicator MOLD ABS LED&PRE AMP 47LC7 PMMA 7 PHY NONE
	600	EBR36262801 PCB Assembly,Sub SUB T.T LD73A 32LC7D-ZA AEUVLHX SIDE A/V TOTAL

# REPLACEMENT PARTS LIST

DATE: 2007. 04. 02.

LOC. NO.	PART NO.	DESCRIPTION / SPECIFICATION	LOC. NO.	PART NO.	DESCRIPTION / SPECIFICATION
<b>CAPACITORS</b>					
C1	0CH3104K566	0805B104K500CT 100nF 10% 50V X7R -55TO+125C	C117	0CK104CF56A	0603B104K160CT 100nF 10% 16V X7R -55TO+125C
C100	0CC470CK41A	C1608C0G1H470JT 47pF 5% 50V C0G -55TO+125C	C118	0CE106WFKDC	MVK4.0TP16VC10M 10uF 20% 16V 16MA -40TO+105
C100	0CH5101K416	C2012C0G1H101JT 100pF 5% 50V C0G -55TO+125C	C119	0CK104CF56A	0603B104K160CT 100nF 10% 16V X7R -55TO+125C
C100	0CH5101K416	C2012C0G1H101JT 100pF 5% 50V C0G -55TO+125C	C120	0CK104CF56A	0603B104K160CT 100nF 10% 16V X7R -55TO+125C
C1003	0CK103CK56A	0603B103K500CT 10nF 10% 50V X7R -55TO+125C	C1204	0CC221CK41A	C1608C0G1H221JT 220pF 5% 50V C0G -55TO+125C
C1004	0CK103CK56A	0603B103K500CT 10nF 10% 50V X7R -55TO+125C	C1205	0CK103CK56A	0603B103K500CT 10nF 10% 50V X7R -55TO+125C
C1005	0CK103CK56A	0603B103K500CT 10nF 10% 50V X7R -55TO+125C	C1206	0CK102CK56A	0603B102K500CT 1nF 10% 50V X7R -55TO+125C 1
C1006	0CK103CK56A	0603B103K500CT 10nF 10% 50V X7R -55TO+125C	C1207	0CK103CK56A	0603B103K500CT 10nF 10% 50V X7R -55TO+125C
C1007	0CK104CK56A	0603B104K500CT 100nF 10% 50V X7R -55TO+125C	C1208	0CK102CK56A	0603B102K500CT 1nF 10% 50V X7R -55TO+125C 1
C1008	0CK104CK56A	0603B104K500CT 100nF 10% 50V X7R -55TO+125C	C1209	0CC221CK41A	C1608C0G1H221JT 220pF 5% 50V C0G -55TO+125C
C1009	0CK104CK56A	0603B104K500CT 100nF 10% 50V X7R -55TO+125C	C121	0CK104CF56A	0603B104K160CT 100nF 10% 16V X7R -55TO+125C
C101	0CE476VF6DC	VGV476M016S0ANE010 47uF 20% 16V 70MA -40TO+	C1210	0CC221CK41A	C1608C0G1H221JT 220pF 5% 50V C0G -55TO+125C
C101	0CH5101K416	C2012C0G1H101JT 100pF 5% 50V C0G -55TO+125C	C1211	0CC331CK41A	C1608C0G1H331JT 330pF 5% 50V C0G -55TO+125C
C101	0CK103BH56A	C1005X7R1E103KT- 10nF 10% 25V X7R -55TO+125	C1215	0CC331CK41A	C1608C0G1H331JT 330pF 5% 50V C0G -55TO+125C
C1010	0CK104CK56A	0603B104K500CT 100nF 10% 50V X7R -55TO+125C	C1216	0CC331CK41A	C1608C0G1H331JT 330pF 5% 50V C0G -55TO+125C
C102	0CE106WFKDC	MVK4.0TP16VC10M 10uF 20% 16V 16MA -40TO+105	C1217	0CE106WH6DC	MVK5.0TP25VC10M 10uF 20% 25V 25MA -40TO+105
C102	0CE476VF6DC	VGV476M016S0ANE010 47uF 20% 16V 70MA -40TO+	C122	0CK104CF56A	0603B104K160CT 100nF 10% 16V X7R -55TO+125C
C103	0CE476VF6DC	VGV476M016S0ANE010 47uF 20% 16V 70MA -40TO+	C1225	0CE106WH6DC	MVK5.0TP25VC10M 10uF 20% 25V 25MA -40TO+105
C103	0CK104CF56A	0603B104K160CT 100nF 10% 16V X7R -55TO+125C	C123	0CK104CF56A	0603B104K160CT 100nF 10% 16V X7R -55TO+125C
C104	0CH5471K416	C2012C0G1H471JT 470pF 5% 50V C0G -55TO+125C	C1232	0CE107WF6DC	MVK6.3TP16VC100M 100uF 20% 16V 80MA -40TO+1
C104	0CK105CD56A	C1608X7R1A105KT 1uF 10% 10V X7R -55TO+125C	C1234	0CK102CK56A	0603B102K500CT 1nF 10% 50V X7R -55TO+125C 1
C105	0CK104CF56A	0603B104K160CT 100nF 10% 16V X7R -55TO+125C	C1235	0CK102CK56A	0603B102K500CT 1nF 10% 50V X7R -55TO+125C 1
C106	0CK104CF56A	0603B104K160CT 100nF 10% 16V X7R -55TO+125C	C1236	0CE106WH6DC	MVK5.0TP25VC10M 10uF 20% 25V 25MA -40TO+105
C1068	0CE107WF6DC	MVK6.3TP16VC100M 100uF 20% 16V 80MA -40TO+1	C1237	0CE106WH6DC	MVK5.0TP25VC10M 10uF 20% 25V 25MA -40TO+105
C107	0CK104CF56A	0603B104K160CT 100nF 10% 16V X7R -55TO+125C	C1239	0CK104CK56A	0603B104K500CT 100nF 10% 50V X7R -55TO+125C
C108	0CK104CF56A	0603B104K160CT 100nF 10% 16V X7R -55TO+125C	C124	0CK104CF56A	0603B104K160CT 100nF 10% 16V X7R -55TO+125C
C109	0CK105CD56A	C1608X7R1A105KT 1uF 10% 10V X7R -55TO+125C	C1244	0CK103CK56A	0603B103K500CT 10nF 10% 50V X7R -55TO+125C
C110	0CE106WFKDC	MVK4.0TP16VC10M 10uF 20% 16V 16MA -40TO+105	C1246	0CK103CK56A	0603B103K500CT 10nF 10% 50V X7R -55TO+125C
C1104	0CK103CK56A	0603B103K500CT 10nF 10% 50V X7R -55TO+125C	C1247	0CE107WF6DC	MVK6.3TP16VC100M 100uF 20% 16V 80MA -40TO+1
C1105	0CK103CK56A	0603B103K500CT 10nF 10% 50V X7R -55TO+125C	C125	0CK104CF56A	0603B104K160CT 100nF 10% 16V X7R -55TO+125C
C1106	0CC120CK41A	C1608C0G1H120JT 12pF 5% 50V C0G -55TO+125C	C126	0CK104CF56A	0603B104K160CT 100nF 10% 16V X7R -55TO+125C
C1108	0CC120CK41A	C1608C0G1H120JT 12pF 5% 50V C0G -55TO+125C	C127	0CK104CF56A	0603B104K160CT 100nF 10% 16V X7R -55TO+125C
C111	0CK104CF56A	0603B104K160CT 100nF 10% 16V X7R -55TO+125C	C128	0CK104CF56A	0603B104K160CT 100nF 10% 16V X7R -55TO+125C
C1116	0CK104CK56A	0603B104K500CT 100nF 10% 50V X7R -55TO+125C	C129	0CK104CF56A	0603B104K160CT 100nF 10% 16V X7R -55TO+125C
C1119	0CK104CK56A	0603B104K500CT 100nF 10% 50V X7R -55TO+125C	C130	0CK104CF56A	0603B104K160CT 100nF 10% 16V X7R -55TO+125C
C112	0CK104CF56A	0603B104K160CT 100nF 10% 16V X7R -55TO+125C	C1300	0CK105DH56A	C2012X7R105KFT 1uF 10% 25V X7R -55TO+125C 2
C1120	0CK104CK56A	0603B104K500CT 100nF 10% 50V X7R -55TO+125C	C1301	0CK104CK56A	0603B104K500CT 100nF 10% 50V X7R -55TO+125C
C1121	0CK104CK56A	0603B104K500CT 100nF 10% 50V X7R -55TO+125C	C1302	0CE108EH618	KMG5.0TP25VB1000M 1000uF 20% 25V 821MA -55T
C1123	0CK104CK56A	0603B104K500CT 100nF 10% 50V X7R -55TO+125C	C1303	0CK105DH56A	C2012X7R105KFT 1uF 10% 25V X7R -55TO+125C 2
C1125	0CK104CK56A	0603B104K500CT 100nF 10% 50V X7R -55TO+125C	C1304	0CK104CK56A	0603B104K500CT 100nF 10% 50V X7R -55TO+125C
C1128	0CK104CK56A	0603B104K500CT 100nF 10% 50V X7R -55TO+125C	C1305	0CK104CK56A	0603B104K500CT 100nF 10% 50V X7R -55TO+125C
C113	0CK104CF56A	0603B104K160CT 100nF 10% 16V X7R -55TO+125C	C1306	0CK222CK56A	0603B222K500CT 2.2nF 10% 50V X7R -55TO+125C
C1133	0CK104BF56A	C1005X7R104KET 100nF 10% 16V X7R -55TO+125C	C1307	0CK682CK51A	C1608Y5P1H682KT 6.8nF 10% 50V Y5P -30TO+85C
C1134	0CK104BF56A	C1005X7R104KET 100nF 10% 16V X7R -55TO+125C	C1308	0CK682CK51A	C1608Y5P1H682KT 6.8nF 10% 50V Y5P -30TO+85C
C1135	0CK104CK56A	0603B104K500CT 100nF 10% 50V X7R -55TO+125C	C1309	0CE475WK6DC	MVK5.0TP50VC4.7M 4.7uF 20% 50V 19MA -40TO+1
C1136	0CK104CK56A	0603B104K500CT 100nF 10% 50V X7R -55TO+125C	C131	0CK104CF56A	0603B104K160CT 100nF 10% 16V X7R -55TO+125C
C114	0CK104CF56A	0603B104K160CT 100nF 10% 16V X7R -55TO+125C	C1310	0CE475WK6DC	MVK5.0TP50VC4.7M 4.7uF 20% 50V 19MA -40TO+1
C115	0CK104CF56A	0603B104K160CT 100nF 10% 16V X7R -55TO+125C	C1311	0CK104CK56A	0603B104K500CT 100nF 10% 50V X7R -55TO+125C
C116	0CK104CF56A	0603B104K160CT 100nF 10% 16V X7R -55TO+125C	C1312	0CK103CK56A	0603B103K500CT 10nF 10% 50V X7R -55TO+125C
			C1313	0CE226WF6DC	MVK5.0TP16VC22M 22uF 20% 16V 30MA -40TO+105

LOC. NO.	PART NO.	DESCRIPTION / SPECIFICATION	LOC. NO.	PART NO.	DESCRIPTION / SPECIFICATION
C1314	0CC030CK01A	0603N3R0C500LT 3pF 0.25PF 50V C0G -55TO+125	C138	0CK104CF56A	0603B104K160CT 100nF 10% 16V X7R -55TO+125C
C1315	0CC030CK01A	0603N3R0C500LT 3pF 0.25PF 50V C0G -55TO+125	C139	0CK104CF56A	0603B104K160CT 100nF 10% 16V X7R -55TO+125C
C1316	0CK104CK56A	0603B104K500CT 100nF 10% 50V X7R -55TO+125C	C140	0CK104CF56A	0603B104K160CT 100nF 10% 16V X7R -55TO+125C
C1317	0CC560CK41A	C1608C0G1H560JT 56pF 5% 50V C0G -55TO+125C	C1400	0CE475WK6DC	MVK5.0TP50VC4.7M 4.7uF 20% 50V 19MA -40TO+1
C1318	0CC560CK41A	C1608C0G1H560JT 56pF 5% 50V C0G -55TO+125C	C1401	0CE475WK6DC	MVK5.0TP50VC4.7M 4.7uF 20% 50V 19MA -40TO+1
C1319	0CE335WK6D8	MVK4.0TP50VC3.3M 3.3uF 20% 50V 14MA -40TO+1	C1402	0CK682CK51A	C1608Y5P1H682KT 6.8nF 10% 50V Y5P -30TO+85C
C132	0CK104CF56A	0603B104K160CT 100nF 10% 16V X7R -55TO+125C	C1403	0CK682CK51A	C1608Y5P1H682KT 6.8nF 10% 50V Y5P -30TO+85C
C1320	0CK474CH94A	0603F474Z250CT 470nF -20TO+80% 25V Y5V -30T	C1404	0CK103CK56A	0603B103K500CT 10nF 10% 50V X7R -55TO+125C
C1321	0CK474CH94A	0603F474Z250CT 470nF -20TO+80% 25V Y5V -30T	C1407	0CE226WF6DC	MVK5.0TP16VC22M 22uF 20% 16V 30MA -40TO+105
C1322	0CK103CK56A	0603B103K500CT 10nF 10% 50V X7R -55TO+125C	C1408	0CE107WF6DC	MVK6.3TP16VC100M 100uF 20% 16V 80MA -40TO+1
C1325	0CE226WF6DC	MVK5.0TP16VC22M 22uF 20% 16V 30MA -40TO+105	C1409	0CK104CF56A	0603B104K160CT 100nF 10% 16V X7R -55TO+125C
C1326	0CK474CH94A	0603F474Z250CT 470nF -20TO+80% 25V Y5V -30T	C141	0CK104CF56A	0603B104K160CT 100nF 10% 16V X7R -55TO+125C
C1327	0CK104CK56A	0603B104K500CT 100nF 10% 50V X7R -55TO+125C	C1410	0CE476WF6DC	MVK6.3TP16VC47M 47uF 20% 16V 80MA -40TO+105
C1329	0CK474CH94A	0603F474Z250CT 470nF -20TO+80% 25V Y5V -30T	C1411	0CK103CK56A	0603B103K500CT 10nF 10% 50V X7R -55TO+125C
C133	0CK104CF56A	0603B104K160CT 100nF 10% 16V X7R -55TO+125C	C1412	0CK104CF56A	0603B104K160CT 100nF 10% 16V X7R -55TO+125C
C1330	0CK103CK56A	0603B103K500CT 10nF 10% 50V X7R -55TO+125C	C1413	0CK104CF56A	0603B104K160CT 100nF 10% 16V X7R -55TO+125C
C1332	0CK474CH94A	0603F474Z250CT 470nF -20TO+80% 25V Y5V -30T	C1418	0CK474CH94A	0603F474Z250CT 470nF -20TO+80% 25V Y5V -30T
C1333	0CC101CK41A	C1608C0G1H101JT 100pF 5% 50V C0G -55TO+125C	C1419	0CK474CH94A	0603F474Z250CT 470nF -20TO+80% 25V Y5V -30T
C1335	0CK474CH94A	0603F474Z250CT 470nF -20TO+80% 25V Y5V -30T	C142	0CK104CF56A	0603B104K160CT 100nF 10% 16V X7R -55TO+125C
C1338	0CK471CK56A	C1608X7R1H471KT 470pF 10% 50V X7R -55TO+125	C1420	0CK225DFK4A	C2012Y5V1C225MT 2.2uF 20% 16V Y5V -30TO+85C
C134	0CK104CF56A	0603B104K160CT 100nF 10% 16V X7R -55TO+125C	C1421	0CC820CK41A	C1608C0G1H820JT 82pF 5% 50V C0G -55TO+125C
C1340	0CK103CK56A	0603B103K500CT 10nF 10% 50V X7R -55TO+125C	C1422	0CK474CH94A	0603F474Z250CT 470nF -20TO+80% 25V Y5V -30T
C1341	0CE335WK6D8	MVK4.0TP50VC3.3M 3.3uF 20% 50V 14MA -40TO+1	C1423	0CK474CH94A	0603F474Z250CT 470nF -20TO+80% 25V Y5V -30T
C1342	0CK104CK56A	0603B104K500CT 100nF 10% 50V X7R -55TO+125C	C1426	0CK474CH94A	0603F474Z250CT 470nF -20TO+80% 25V Y5V -30T
C1343	0CE107WF6DC	MVK6.3TP16VC100M 100uF 20% 16V 80MA -40TO+1	C1428	0CK225DFK4A	C2012Y5V1C225MT 2.2uF 20% 16V Y5V -30TO+85C
C1344	0CE106WH6DC	MVK5.0TP25VC10M 10uF 20% 25V 25MA -40TO+105	C1429	0CK474CH94A	0603F474Z250CT 470nF -20TO+80% 25V Y5V -30T
C1345	0CE106WH6DC	MVK5.0TP25VC10M 10uF 20% 25V 25MA -40TO+105	C143	0CK104CF56A	0603B104K160CT 100nF 10% 16V X7R -55TO+125C
C1346	0CK474CH94A	0603F474Z250CT 470nF -20TO+80% 25V Y5V -30T	C1439	0CK474CH94A	0603F474Z250CT 470nF -20TO+80% 25V Y5V -30T
C1347	0CK474CH94A	0603F474Z250CT 470nF -20TO+80% 25V Y5V -30T	C144	0CK104CF56A	0603B104K160CT 100nF 10% 16V X7R -55TO+125C
C135	0CK104CF56A	0603B104K160CT 100nF 10% 16V X7R -55TO+125C	C1440	0CK225DFK4A	C2012Y5V1C225MT 2.2uF 20% 16V Y5V -30TO+85C
C1350	0CE106WFKDC	MVK4.0TP16VC10M 10uF 20% 16V 16MA -40TO+105	C1441	0CK474CH94A	0603F474Z250CT 470nF -20TO+80% 25V Y5V -30T
C1351	0CK104CK56A	0603B104K500CT 100nF 10% 50V X7R -55TO+125C	C1442	0CK225DFK4A	C2012Y5V1C225MT 2.2uF 20% 16V Y5V -30TO+85C
C1352	0CK104CK56A	0603B104K500CT 100nF 10% 50V X7R -55TO+125C	C1444	0CK474CH94A	0603F474Z250CT 470nF -20TO+80% 25V Y5V -30T
C1353	0CK222CK56A	0603B222K500CT 2.2nF 10% 50V X7R -55TO+125C	C1445	0CK225DFK4A	C2012Y5V1C225MT 2.2uF 20% 16V Y5V -30TO+85C
C1354	0CC102CK41A	C1608C0G1H102JT 1nF 5% 50V C0G -55TO+125C 1	C1447	0CK474CH94A	0603F474Z250CT 470nF -20TO+80% 25V Y5V -30T
C1355	0CK104CK56A	0603B104K500CT 100nF 10% 50V X7R -55TO+125C	C1448	0CK474CH94A	0603F474Z250CT 470nF -20TO+80% 25V Y5V -30T
C1356	0CC101CK41A	C1608C0G1H101JT 100pF 5% 50V C0G -55TO+125C	C1449	0CK225DFK4A	C2012Y5V1C225MT 2.2uF 20% 16V Y5V -30TO+85C
C1357	0CC221CK41A	C1608C0G1H221JT 220pF 5% 50V C0G -55TO+125C	C145	0CK104CF56A	0603B104K160CT 100nF 10% 16V X7R -55TO+125C
C1358	0CH2122K516	0805B122K500CT 1.2nF 10% 50V Y5P -30TO+85C	C1450	0CK104CF56A	0603B104K160CT 100nF 10% 16V X7R -55TO+125C
C1359	0CK104CK56A	0603B104K500CT 100nF 10% 50V X7R -55TO+125C	C1451	0CK104CF56A	0603B104K160CT 100nF 10% 16V X7R -55TO+125C
C136	0CK104CF56A	0603B104K160CT 100nF 10% 16V X7R -55TO+125C	C1452	0CC150CK41A	C1608C0G1H150JT 15pF 5% 50V C0G -55TO+125C
C1360	0CC331CK41A	C1608C0G1H331JT 330pF 5% 50V C0G -55TO+125C	C1453	0CC150CK41A	C1608C0G1H150JT 15pF 5% 50V C0G -55TO+125C
C1361	0CC331CK41A	C1608C0G1H331JT 330pF 5% 50V C0G -55TO+125C	C146	0CK104CF56A	0603B104K160CT 100nF 10% 16V X7R -55TO+125C
C1362	0CK104CK56A	0603B104K500CT 100nF 10% 50V X7R -55TO+125C	C147	0CK104CF56A	0603B104K160CT 100nF 10% 16V X7R -55TO+125C
C1363	0CK104CK56A	0603B104K500CT 100nF 10% 50V X7R -55TO+125C	C148	0CK104CF56A	0603B104K160CT 100nF 10% 16V X7R -55TO+125C
C1364	0CK104CK56A	0603B104K500CT 100nF 10% 50V X7R -55TO+125C	C149	0CK104CF56A	0603B104K160CT 100nF 10% 16V X7R -55TO+125C
C1365	0CK104CK56A	0603B104K500CT 100nF 10% 50V X7R -55TO+125C	C150	0CK104CF56A	0603B104K160CT 100nF 10% 16V X7R -55TO+125C
C1366	0CK104CK56A	0603B104K500CT 100nF 10% 50V X7R -55TO+125C	C151	0CK104CF56A	0603B104K160CT 100nF 10% 16V X7R -55TO+125C
C1367	0CK104CK56A	0603B104K500CT 100nF 10% 50V X7R -55TO+125C	C152	0CK104CF56A	0603B104K160CT 100nF 10% 16V X7R -55TO+125C
C1368	0CK104CK56A	0603B104K500CT 100nF 10% 50V X7R -55TO+125C	C153	0CK104CF56A	0603B104K160CT 100nF 10% 16V X7R -55TO+125C
C1369	0CK104CK56A	0603B104K500CT 100nF 10% 50V X7R -55TO+125C	C154	0CK104CF56A	0603B104K160CT 100nF 10% 16V X7R -55TO+125C
C137	0CK104CF56A	0603B104K160CT 100nF 10% 16V X7R -55TO+125C	C155	0CK104CF56A	0603B104K160CT 100nF 10% 16V X7R -55TO+125C
C1370	0CF474L430	PCMT365 76474 470nF 5% 63V MPE -40TO+85C NO	C156	0CK104CF56A	0603B104K160CT 100nF 10% 16V X7R -55TO+125C
C1371	0CF474L430	PCMT365 76474 470nF 5% 63V MPE -40TO+85C NO	C157	0CK104CF56A	0603B104K160CT 100nF 10% 16V X7R -55TO+125C
C1373	0CK104CK56A	0603B104K500CT 100nF 10% 50V X7R -55TO+125C	C158	0CK104CF56A	0603B104K160CT 100nF 10% 16V X7R -55TO+125C

LOC. NO.	PART NO.	DESCRIPTION / SPECIFICATION	LOC. NO.	PART NO.	DESCRIPTION / SPECIFICATION
C159	0CK104CF56A	0603B104K160CT 100nF 10% 16V X7R -55TO+125C	C203	0CK104CF56A	0603B104K160CT 100nF 10% 16V X7R -55TO+125C
C160	0CK104CF56A	0603B104K160CT 100nF 10% 16V X7R -55TO+125C	C204	0CK103CK56A	0603B103K500CT 10nF 10% 50V X7R -55TO+125C
C161	0CK104CF56A	0603B104K160CT 100nF 10% 16V X7R -55TO+125C	C206	0CK104CF56A	0603B104K160CT 100nF 10% 16V X7R -55TO+125C
C162	0CK104CF56A	0603B104K160CT 100nF 10% 16V X7R -55TO+125C	C207	0CK104CF56A	0603B104K160CT 100nF 10% 16V X7R -55TO+125C
C163	0CK104CF56A	0603B104K160CT 100nF 10% 16V X7R -55TO+125C	C209	EAE32755801	CL31A106K5HNNNE 10uF 10% 16V X5R -55TO+85C
C164	0CK104CF56A	0603B104K160CT 100nF 10% 16V X7R -55TO+125C	C212	EAE32755801	CL31A106K5HNNNE 10uF 10% 16V X5R -55TO+85C
C165	0CK104CF56A	0603B104K160CT 100nF 10% 16V X7R -55TO+125C	C213	EAE32755801	CL31A106K5HNNNE 10uF 10% 16V X5R -55TO+85C
C166	EAE32755801	CL31A106K5HNNNE 10uF 10% 16V X5R -55TO+85C	C216	EAE32755801	CL31A106K5HNNNE 10uF 10% 16V X5R -55TO+85C
C167	EAE32755801	CL31A106K5HNNNE 10uF 10% 16V X5R -55TO+85C	C218	0CK103CK56A	0603B103K500CT 10nF 10% 50V X7R -55TO+125C
C168	EAE32755801	CL31A106K5HNNNE 10uF 10% 16V X5R -55TO+85C	C219	0CK103CK56A	0603B103K500CT 10nF 10% 50V X7R -55TO+125C
C169	0CC100CK41A	C1608C0G1H100JT 10pF 5% 50V C0G -55TO+125C	C220	0CK103CK56A	0603B103K500CT 10nF 10% 50V X7R -55TO+125C
C170	0CC220CK41A	C1608C0G1H220JT 22pF 5% 50V C0G -55TO+125C	C221	0CK103CK56A	0603B103K500CT 10nF 10% 50V X7R -55TO+125C
C1700	0CK104CK56A	0603B104K500CT 100nF 10% 50V X7R -55TO+125C	C222	0CK103CK56A	0603B103K500CT 10nF 10% 50V X7R -55TO+125C
C1701	0CK104BF56A	C1005X7R104KET 100nF 10% 16V X7R -55TO+125C	C224	0CK103CK56A	0603B103K500CT 10nF 10% 50V X7R -55TO+125C
C1702	0CK104CK56A	0603B104K500CT 100nF 10% 50V X7R -55TO+125C	C226	0CE107WF6DC	MVK6.3TP16VC100M 100uF 20% 16V 80MA -40TO+1
C1703	0CK104CK56A	0603B104K500CT 100nF 10% 50V X7R -55TO+125C	C227	0CE107WF6DC	MVK6.3TP16VC100M 100uF 20% 16V 80MA -40TO+1
C1704	0CK105CD56A	C1608X7R1A105KT 1uF 10% 10V X7R -55TO+125C	C228	0CK103CK56A	0603B103K500CT 10nF 10% 50V X7R -55TO+125C
C1705	0CK104CK56A	0603B104K500CT 100nF 10% 50V X7R -55TO+125C	C229	0CK103CK56A	0603B103K500CT 10nF 10% 50V X7R -55TO+125C
C1706	0CK104CK56A	0603B104K500CT 100nF 10% 50V X7R -55TO+125C	C230	0CK103CK56A	0603B103K500CT 10nF 10% 50V X7R -55TO+125C
C1707	0CK104CK56A	0603B104K500CT 100nF 10% 50V X7R -55TO+125C	C231	0CK103CK56A	0603B103K500CT 10nF 10% 50V X7R -55TO+125C
C1708	0CE226WF6DC	MVK5.0TP16VC22M 22uF 20% 16V 30MA -40TO+105	C232	0CK103CK56A	0603B103K500CT 10nF 10% 50V X7R -55TO+125C
C1709	0CK104CK56A	0603B104K500CT 100nF 10% 50V X7R -55TO+125C	C233	0CK103CK56A	0603B103K500CT 10nF 10% 50V X7R -55TO+125C
C171	0CK103CK56A	0603B103K500CT 10nF 10% 50V X7R -55TO+125C	C234	0CK104CK56A	0603B104K500CT 100nF 10% 50V X7R -55TO+125C
C1710	0CK104CK56A	0603B104K500CT 100nF 10% 50V X7R -55TO+125C	C235	0CK104CK56A	0603B104K500CT 100nF 10% 50V X7R -55TO+125C
C172	0CK103CK56A	0603B103K500CT 10nF 10% 50V X7R -55TO+125C	C236	0CK104CK56A	0603B104K500CT 100nF 10% 50V X7R -55TO+125C
C173	0CK104CF56A	0603B104K160CT 100nF 10% 16V X7R -55TO+125C	C237	0CK104CK56A	0603B104K500CT 100nF 10% 50V X7R -55TO+125C
C174	0CK104CF56A	0603B104K160CT 100nF 10% 16V X7R -55TO+125C	C238	0CK104CK56A	0603B104K500CT 100nF 10% 50V X7R -55TO+125C
C175	0CK103CK56A	0603B103K500CT 10nF 10% 50V X7R -55TO+125C	C239	0CK104CK56A	0603B104K500CT 100nF 10% 50V X7R -55TO+125C
C176	0CK103CK56A	0603B103K500CT 10nF 10% 50V X7R -55TO+125C	C240	0CK104CK56A	0603B104K500CT 100nF 10% 50V X7R -55TO+125C
C177	0CK103CK56A	0603B103K500CT 10nF 10% 50V X7R -55TO+125C	C241	0CK104CK56A	0603B104K500CT 100nF 10% 50V X7R -55TO+125C
C178	0CK104CF56A	0603B104K160CT 100nF 10% 16V X7R -55TO+125C	C242	0CK104CK56A	0603B104K500CT 100nF 10% 50V X7R -55TO+125C
C179	0CK104CF56A	0603B104K160CT 100nF 10% 16V X7R -55TO+125C	C243	0CK104CK56A	0603B104K500CT 100nF 10% 50V X7R -55TO+125C
C180	0CK104CF56A	0603B104K160CT 100nF 10% 16V X7R -55TO+125C	C301	0CK104CF56A	0603B104K160CT 100nF 10% 16V X7R -55TO+125C
C181	0CE106WFKDC	MVK4.0TP16VC10M 10uF 20% 16V 16MA -40TO+105	C302	0CK104CF56A	0603B104K160CT 100nF 10% 16V X7R -55TO+125C
C182	0CK105CD56A	C1608X7R1A105KT 1uF 10% 10V X7R -55TO+125C	C303	0CK104CF56A	0603B104K160CT 100nF 10% 16V X7R -55TO+125C
C183	0CK104CF56A	0603B104K160CT 100nF 10% 16V X7R -55TO+125C	C306	0CK104CF56A	0603B104K160CT 100nF 10% 16V X7R -55TO+125C
C184	0CK104CF56A	0603B104K160CT 100nF 10% 16V X7R -55TO+125C	C307	0CK104CF56A	0603B104K160CT 100nF 10% 16V X7R -55TO+125C
C185	0CK104CF56A	0603B104K160CT 100nF 10% 16V X7R -55TO+125C	C308	0CK104CF56A	0603B104K160CT 100nF 10% 16V X7R -55TO+125C
C186	0CK104CF56A	0603B104K160CT 100nF 10% 16V X7R -55TO+125C	C309	0CK104CF56A	0603B104K160CT 100nF 10% 16V X7R -55TO+125C
C187	0CK104CF56A	0603B104K160CT 100nF 10% 16V X7R -55TO+125C	C310	0CK104CF56A	0603B104K160CT 100nF 10% 16V X7R -55TO+125C
C188	0CK103CK56A	0603B103K500CT 10nF 10% 50V X7R -55TO+125C	C311	0CK104CF56A	0603B104K160CT 100nF 10% 16V X7R -55TO+125C
C189	0CK103CK56A	0603B103K500CT 10nF 10% 50V X7R -55TO+125C	C312	0CK104CF56A	0603B104K160CT 100nF 10% 16V X7R -55TO+125C
C190	0CK103CK56A	0603B103K500CT 10nF 10% 50V X7R -55TO+125C	C313	0CK104CF56A	0603B104K160CT 100nF 10% 16V X7R -55TO+125C
C191	0CK103CK56A	0603B103K500CT 10nF 10% 50V X7R -55TO+125C	C314	0CK104CF56A	0603B104K160CT 100nF 10% 16V X7R -55TO+125C
C192	0CK103CK56A	0603B103K500CT 10nF 10% 50V X7R -55TO+125C	C409	0CK104CF56A	0603B104K160CT 100nF 10% 16V X7R -55TO+125C
C193	0CK822CK46A	0603B822J500CT 8.2nF 10% 50V X7R -55TO+125C	C410	0CK104CF56A	0603B104K160CT 100nF 10% 16V X7R -55TO+125C
C194	0CK822CK46A	0603B822J500CT 8.2nF 10% 50V X7R -55TO+125C	C411	0CK104CF56A	0603B104K160CT 100nF 10% 16V X7R -55TO+125C
C195	0CC220CK41A	C1608C0G1H220JT 22pF 5% 50V C0G -55TO+125C	C412	0CE106WFKDC	MVK4.0TP16VC10M 10uF 20% 16V 16MA -40TO+105
C196	0CC100CK41A	C1608C0G1H100JT 10pF 5% 50V C0G -55TO+125C	C413	0CK104CF56A	0603B104K160CT 100nF 10% 16V X7R -55TO+125C
C197	0CK475CC94A	C1608Y5V0J475ZT 4.7uF -20TO+80% 6.3V Y5V -3	C414	0CE106WFKDC	MVK4.0TP16VC10M 10uF 20% 16V 16MA -40TO+105
C198	0CK475CC94A	C1608Y5V0J475ZT 4.7uF -20TO+80% 6.3V Y5V -3	C415	0CK104CF56A	0603B104K160CT 100nF 10% 16V X7R -55TO+125C
C199	0CK104CF56A	0603B104K160CT 100nF 10% 16V X7R -55TO+125C	C429	0CK104CK56A	0603B104K500CT 100nF 10% 50V X7R -55TO+125C
C200	0CK103CK56A	0603B103K500CT 10nF 10% 50V X7R -55TO+125C	C430	0CK104CK56A	0603B104K500CT 100nF 10% 50V X7R -55TO+125C
C201	0CC470CK41A	C1608C0G1H470JT 47pF 5% 50V C0G -55TO+125C	C515	0CE107WF6DC	MVK6.3TP16VC100M 100uF 20% 16V 80MA -40TO+1
C202	0CC101CK41A	C1608C0G1H101JT 100pF 5% 50V C0G -55TO+125C	C516	0CK104CF56A	0603B104K160CT 100nF 10% 16V X7R -55TO+125C

LOC. NO.	PART NO.	DESCRIPTION / SPECIFICATION	LOC. NO.	PART NO.	DESCRIPTION / SPECIFICATION
C517	0CE227WF6DC	MVK8.0TP16VC220M 220uF 20% 16V 80MA -40TO+1	C636	0CK103CK56A	0603B103K500CT 10nF 10% 50V X7R -55TO+125C
C518	0CK104CF56A	0603B104K160CT 100nF 10% 16V X7R -55TO+125C	C637	0CK472CK56A	0603B472K500CT 4.7nF 10% 50V X7R -55TO+125C
C519	0CE107WF6DC	MVK6.3TP16VC100M 100uF 20% 16V 80MA -40TO+1	C638	0CE107WF6DC	MVK6.3TP16VC100M 100uF 20% 16V 80MA -40TO+1
C520	0CK104CF56A	0603B104K160CT 100nF 10% 16V X7R -55TO+125C	C639	0CE107WF6DC	MVK6.3TP16VC100M 100uF 20% 16V 80MA -40TO+1
C521	0CK104CF56A	0603B104K160CT 100nF 10% 16V X7R -55TO+125C	C640	0CE107WF6DC	MVK6.3TP16VC100M 100uF 20% 16V 80MA -40TO+1
C522	0CE107WF6DC	MVK6.3TP16VC100M 100uF 20% 16V 80MA -40TO+1	C641	0CC470CK41A	C1608C0G1H470JT 47pF 5% 50V C0G -55TO+125C
C523	0CE107WF6DC	MVK6.3TP16VC100M 100uF 20% 16V 80MA -40TO+1	C642	0CC470CK41A	C1608C0G1H470JT 47pF 5% 50V C0G -55TO+125C
C524	0CE477WF6DC	MVK10TP16VC470M 470uF 20% 16V 80MA -40TO+10	C700	0CK104CK56A	0603B104K500CT 100nF 10% 50V X7R -55TO+125C
C525	0CK104CF56A	0603B104K160CT 100nF 10% 16V X7R -55TO+125C	C701	0CE226WF6DC	MVK5.0TP16VC22M 22uF 20% 16V 30MA -40TO+105
C526	0CK104CF56A	0603B104K160CT 100nF 10% 16V X7R -55TO+125C	C702	0CK104CK56A	0603B104K500CT 100nF 10% 50V X7R -55TO+125C
C527	0CE107WF6DC	MVK6.3TP16VC100M 100uF 20% 16V 80MA -40TO+1	C703	0CK104CK56A	0603B104K500CT 100nF 10% 50V X7R -55TO+125C
C528	0CE227WF6DC	MVK8.0TP16VC220M 220uF 20% 16V 80MA -40TO+1	C704	0CK104CK56A	0603B104K500CT 100nF 10% 50V X7R -55TO+125C
C529	0CK104CF56A	0603B104K160CT 100nF 10% 16V X7R -55TO+125C	C705	0CE226WF6DC	MVK5.0TP16VC22M 22uF 20% 16V 30MA -40TO+105
C530	0CK104CF56A	0603B104K160CT 100nF 10% 16V X7R -55TO+125C	C706	0CK104BF56A	C1005X7R104KET 100nF 10% 16V X7R -55TO+125C
C531	0CK104CF56A	0603B104K160CT 100nF 10% 16V X7R -55TO+125C	C707	0CK104CK56A	0603B104K500CT 100nF 10% 50V X7R -55TO+125C
C532	0CK104CF56A	0603B104K160CT 100nF 10% 16V X7R -55TO+125C	C708	0CK104BF56A	C1005X7R104KET 100nF 10% 16V X7R -55TO+125C
C533	0CE107WF6DC	MVK6.3TP16VC100M 100uF 20% 16V 80MA -40TO+1	C709	0CK104CK56A	0603B104K500CT 100nF 10% 50V X7R -55TO+125C
C534	0CE227WF6DC	MVK8.0TP16VC220M 220uF 20% 16V 80MA -40TO+1	C710	0CK104CK56A	0603B104K500CT 100nF 10% 50V X7R -55TO+125C
C535	0CK105CD56A	C1608X7R1A105KT 1uF 10% 10V X7R -55TO+125C	C711	0CK104CK56A	0603B104K500CT 100nF 10% 50V X7R -55TO+125C
C537	0CK104CF56A	0603B104K160CT 100nF 10% 16V X7R -55TO+125C	C712	0CK104CK56A	0603B104K500CT 100nF 10% 50V X7R -55TO+125C
C539	0CK104CF56A	0603B104K160CT 100nF 10% 16V X7R -55TO+125C	C713	0CK104BF56A	C1005X7R104KET 100nF 10% 16V X7R -55TO+125C
C540	0CK105CD56A	C1608X7R1A105KT 1uF 10% 10V X7R -55TO+125C	C714	0CK104CK56A	0603B104K500CT 100nF 10% 50V X7R -55TO+125C
C541	0CE107WF6DC	MVK6.3TP16VC100M 100uF 20% 16V 80MA -40TO+1	C715	0CK104CK56A	0603B104K500CT 100nF 10% 50V X7R -55TO+125C
C542	0CK104CF56A	0603B104K160CT 100nF 10% 16V X7R -55TO+125C	C716	0CK104CK56A	0603B104K500CT 100nF 10% 50V X7R -55TO+125C
C543	0CE107WF6DC	MVK6.3TP16VC100M 100uF 20% 16V 80MA -40TO+1	C717	0CK104CK56A	0603B104K500CT 100nF 10% 50V X7R -55TO+125C
C544	0CK104CF56A	0603B104K160CT 100nF 10% 16V X7R -55TO+125C	C718	0CK104CK56A	0603B104K500CT 100nF 10% 50V X7R -55TO+125C
C548	0CE107WF6DC	MVK6.3TP16VC100M 100uF 20% 16V 80MA -40TO+1	C721	0CK104CK56A	0603B104K500CT 100nF 10% 50V X7R -55TO+125C
C549	0CE107WF6DC	MVK6.3TP16VC100M 100uF 20% 16V 80MA -40TO+1	C722	0CK104CK56A	0603B104K500CT 100nF 10% 50V X7R -55TO+125C
C550	0CK104CF56A	0603B104K160CT 100nF 10% 16V X7R -55TO+125C	C723	0CE226WF6DC	MVK5.0TP16VC22M 22uF 20% 16V 30MA -40TO+105
C551	0CK104CF56A	0603B104K160CT 100nF 10% 16V X7R -55TO+125C	C724	0CK104CK56A	0603B104K500CT 100nF 10% 50V X7R -55TO+125C
C553	0CK104CF56A	0603B104K160CT 100nF 10% 16V X7R -55TO+125C	C725	0CC200CK41A	C1608C0G1H200JT 20pF 5% 50V C0G -55TO+125C
C554	0CK105CD56A	C1608X7R1A105KT 1uF 10% 10V X7R -55TO+125C	C726	0CK104CK56A	0603B104K500CT 100nF 10% 50V X7R -55TO+125C
C555	0CK105CD56A	C1608X7R1A105KT 1uF 10% 10V X7R -55TO+125C	C727	0CE226WF6DC	MVK5.0TP16VC22M 22uF 20% 16V 30MA -40TO+105
C601	0CC101CK41A	C1608C0G1H101JT 100pF 5% 50V C0G -55TO+125C	C728	0CK104CK56A	0603B104K500CT 100nF 10% 50V X7R -55TO+125C
C602	0CK104CF56A	0603B104K160CT 100nF 10% 16V X7R -55TO+125C	C729	0CK104CK56A	0603B104K500CT 100nF 10% 50V X7R -55TO+125C
C603	0CK103CK56A	0603B103K500CT 10nF 10% 50V X7R -55TO+125C	C730	0CK104CK56A	0603B104K500CT 100nF 10% 50V X7R -55TO+125C
C604	0CC100CK41A	C1608C0G1H100JT 10pF 5% 50V C0G -55TO+125C	C732	0CK104CK56A	0603B104K500CT 100nF 10% 50V X7R -55TO+125C
C605	0CK104CF56A	0603B104K160CT 100nF 10% 16V X7R -55TO+125C	C733	0CK104CK56A	0603B104K500CT 100nF 10% 50V X7R -55TO+125C
C606	0CK104CF56A	0603B104K160CT 100nF 10% 16V X7R -55TO+125C	C734	0CK104CK56A	0603B104K500CT 100nF 10% 50V X7R -55TO+125C
C608	0CC101CK41A	C1608C0G1H101JT 100pF 5% 50V C0G -55TO+125C	C736	0CE226WF6DC	MVK5.0TP16VC22M 22uF 20% 16V 30MA -40TO+105
C609	0CK104CF56A	0603B104K160CT 100nF 10% 16V X7R -55TO+125C	C737	0CK104CK56A	0603B104K500CT 100nF 10% 50V X7R -55TO+125C
C610	0CC271CK41A	C1608C0G1H271JT 270pF 5% 50V C0G -55TO+125C	C738	0CK104CK56A	0603B104K500CT 100nF 10% 50V X7R -55TO+125C
C611	0CE107WF6DC	MVK6.3TP16VC100M 100uF 20% 16V 80MA -40TO+1	C739	0CK104CK56A	0603B104K500CT 100nF 10% 50V X7R -55TO+125C
C612	0CE476WF6DC	MVK6.3TP16VC47M 47uF 20% 16V 80MA -40TO+105	C740	0CE226WF6DC	MVK5.0TP16VC22M 22uF 20% 16V 30MA -40TO+105
C613	0CE107WF6DC	MVK6.3TP16VC100M 100uF 20% 16V 80MA -40TO+1	C741	0CK104CK56A	0603B104K500CT 100nF 10% 50V X7R -55TO+125C
C615	0CK104CK56A	0603B104K500CT 100nF 10% 50V X7R -55TO+125C	C742	0CK104CK56A	0603B104K500CT 100nF 10% 50V X7R -55TO+125C
C616	0CK104CK56A	0603B104K500CT 100nF 10% 50V X7R -55TO+125C	C743	0CE226WF6DC	MVK5.0TP16VC22M 22uF 20% 16V 30MA -40TO+105
C623	0CC470CK41A	C1608C0G1H470JT 47pF 5% 50V C0G -55TO+125C	C744	0CK104CK56A	0603B104K500CT 100nF 10% 50V X7R -55TO+125C
C624	0CC470CK41A	C1608C0G1H470JT 47pF 5% 50V C0G -55TO+125C	C745	0CK104CK56A	0603B104K500CT 100nF 10% 50V X7R -55TO+125C
C625	0CK104CF56A	0603B104K160CT 100nF 10% 16V X7R -55TO+125C	C746	0CK104CK56A	0603B104K500CT 100nF 10% 50V X7R -55TO+125C
C626	0CK104CF56A	0603B104K160CT 100nF 10% 16V X7R -55TO+125C	C747	0CK104CK56A	0603B104K500CT 100nF 10% 50V X7R -55TO+125C
C627	0CK104CF56A	0603B104K160CT 100nF 10% 16V X7R -55TO+125C	C748	0CK105CD56A	C1608X7R1A105KT 1uF 10% 10V X7R -55TO+125C
C630	0CE107WF6DC	MVK6.3TP16VC100M 100uF 20% 16V 80MA -40TO+1	C749	0CK104BF56A	C1005X7R104KET 100nF 10% 16V X7R -55TO+125C
C633	0CK475CC94A	C1608Y5V0J475ZT 4.7uF -20TO+80% 6.3V Y5V -3	C750	0CK104CK56A	0603B104K500CT 100nF 10% 50V X7R -55TO+125C
C635	0CK472CK56A	0603B472K500CT 4.7nF 10% 50V X7R -55TO+125C	C751	0CK104CK56A	0603B104K500CT 100nF 10% 50V X7R -55TO+125C



LOC. NO.	PART NO.	DESCRIPTION / SPECIFICATION	LOC. NO.	PART NO.	DESCRIPTION / SPECIFICATION
C917	0CK104CK56A	0603B104K500CT 100nF 10% 50V X7R -55TO+125C	ZD1104	EAH33945901	CDS3C30GTH 30V 50V 120V 1.9A 1W SOD123 R/TP
C924	0CE107WH6DC	MVK8.0TP25VC100M 100uF 20% 25V 180MA -40TO+	ZD1105	EAH33945901	CDS3C30GTH 30V 50V 120V 1.9A 1W SOD123 R/TP
C925	0CE227WF6DC	MVK8.0TP16VC220M 220uF 20% 16V 80MA -40TO+1	ZD1106	EAH33945901	CDS3C30GTH 30V 50V 120V 1.9A 1W SOD123 R/TP
C928	0CE227WF6DC	MVK8.0TP16VC220M 220uF 20% 16V 80MA -40TO+1	ZD1107	EAH33945901	CDS3C30GTH 30V 50V 120V 1.9A 1W SOD123 R/TP
C929	0CE227WF6DC	MVK8.0TP16VC220M 220uF 20% 16V 80MA -40TO+1	ZD1108	EAH33945901	CDS3C30GTH 30V 50V 120V 1.9A 1W SOD123 R/TP
C931	0CK104CK56A	0603B104K500CT 100nF 10% 50V X7R -55TO+125C	ZD1109	EAH33945901	CDS3C30GTH 30V 50V 120V 1.9A 1W SOD123 R/TP
C932	0CK104CK56A	0603B104K500CT 100nF 10% 50V X7R -55TO+125C	ZD1112	EAH33945901	CDS3C30GTH 30V 50V 120V 1.9A 1W SOD123 R/TP
C933	0CK104CK56A	0603B104K500CT 100nF 10% 50V X7R -55TO+125C	ZD1113	EAH33945901	CDS3C30GTH 30V 50V 120V 1.9A 1W SOD123 R/TP
C934	0CK104CK56A	0603B104K500CT 100nF 10% 50V X7R -55TO+125C	ZD1114	EAH33945901	CDS3C30GTH 30V 50V 120V 1.9A 1W SOD123 R/TP
C935	0CK104CK56A	0603B104K500CT 100nF 10% 50V X7R -55TO+125C	ZD1201	EAH33946001	CDS3C05GTA 5.6V 6.4V 19V 1.9A 1W SOD123 R/T
C937	0CE107WF6DC	MVK6.3TP16VC100M 100uF 20% 16V 80MA -40TO+1	ZD1202	EAH33946001	CDS3C05GTA 5.6V 6.4V 19V 1.9A 1W SOD123 R/T
C954	0CE477WF6DC	MVK10TP16VC470M 470uF 20% 16V 80MA -40TO+10	ZD1203	EAH33945901	CDS3C30GTH 30V 50V 120V 1.9A 1W SOD123 R/TP
C955	0CK474CH94A	0603F474Z250CT 470nF -20TO+80% 25V Y5V -30T	ZD1211	EAH33946001	CDS3C05GTA 5.6V 6.4V 19V 1.9A 1W SOD123 R/T
C956	0CK474CH94A	0603F474Z250CT 470nF -20TO+80% 25V Y5V -30T	ZD1212	EAH33946001	CDS3C05GTA 5.6V 6.4V 19V 1.9A 1W SOD123 R/T
C957	0CE107WF6DC	MVK6.3TP16VC100M 100uF 20% 16V 80MA -40TO+1	ZD1218	EAH33945901	CDS3C30GTH 30V 50V 120V 1.9A 1W SOD123 R/TP
C958	0CE107WF6DC	MVK6.3TP16VC100M 100uF 20% 16V 80MA -40TO+1	ZD1219	EAH33945901	CDS3C30GTH 30V 50V 120V 1.9A 1W SOD123 R/TP
C959	0CE107WF6DC	MVK6.3TP16VC100M 100uF 20% 16V 80MA -40TO+1	ZD1220	EAH33945901	CDS3C30GTH 30V 50V 120V 1.9A 1W SOD123 R/TP
C960	0CK104CK56A	0603B104K500CT 100nF 10% 50V X7R -55TO+125C	ZD1221	EAH33945901	CDS3C30GTH 30V 50V 120V 1.9A 1W SOD123 R/TP
C961	0CK104CK56A	0603B104K500CT 100nF 10% 50V X7R -55TO+125C	ZD1222	EAH33945901	CDS3C30GTH 30V 50V 120V 1.9A 1W SOD123 R/TP
C962	0CK104CK56A	0603B104K500CT 100nF 10% 50V X7R -55TO+125C	ZD1223	EAH33945901	CDS3C30GTH 30V 50V 120V 1.9A 1W SOD123 R/TP
C969	0CE107WF6DC	MVK6.3TP16VC100M 100uF 20% 16V 80MA -40TO+1	ZD1224	EAH33945901	CDS3C30GTH 30V 50V 120V 1.9A 1W SOD123 R/TP
C970	0CE107WF6DC	MVK6.3TP16VC100M 100uF 20% 16V 80MA -40TO+1	ZD1226	EAH33945901	CDS3C30GTH 30V 50V 120V 1.9A 1W SOD123 R/TP
C971	0CE107WF6DC	MVK6.3TP16VC100M 100uF 20% 16V 80MA -40TO+1	ZD1228	EAH33946001	CDS3C05GTA 5.6V 6.4V 19V 1.9A 1W SOD123 R/T
C972	0CK104CK56A	0603B104K500CT 100nF 10% 50V X7R -55TO+125C	ZD1229	EAH33946001	CDS3C05GTA 5.6V 6.4V 19V 1.9A 1W SOD123 R/T
C973	0CK104CK56A	0603B104K500CT 100nF 10% 50V X7R -55TO+125C	ZD1300	0DZRM00248A	RLZ8.2B 8.2V 7.78TO8.19V 8OHM 500MW LL34 R/
C974	0CK104CK56A	0603B104K500CT 100nF 10% 50V X7R -55TO+125C			
C975	0CE107WF6DC	MVK6.3TP16VC100M 100uF 20% 16V 80MA -40TO+1			
C977	0CK104CK56A	0603B104K500CT 100nF 10% 50V X7R -55TO+125C			
C980	0CK103CK56A	0603B103K500CT 10nF 10% 50V X7R -55TO+125C			
C981	0CE476WF6DC	MVK6.3TP16VC47M 47uF 20% 16V 80MA -40TO+105			
<b>DIODES</b>					
D100	EAH33945901	CDS3C30GTH 30V 50V 120V 1.9A 1W SOD123 R/TP	IC100	0IPRP00703B	STI5100GUC 3.3V 5u 27M PBGA TR 336P SGS-TH
D1000	0DD184009AA	KDS184 KDS184 TP KEC - 85V - - - 300MA KEC	IC1002	0IMMRAL014D	AT24C02BN-10SU-1.8 2KBIT 256x8BIT 1.8VTO5.5
D1001	0DD184009AA	KDS184 KDS184 TP KEC - 85V - - - 300MA KEC	IC1003	0IMMRAL014D	AT24C02BN-10SU-1.8 2KBIT 256x8BIT 1.8VTO5.5
D101	EAH33946001	CDS3C05GTA 5.6V 6.4V 19V 1.9A 1W SOD123 R/T	IC1004	EAN33595101	STHDMI002A 3.135TO3.465 9NSEC 9NSEC 66UW TQ
D102	EAH33946001	CDS3C05GTA 5.6V 6.4V 19V 1.9A 1W SOD123 R/T	IC102	0ISTLPH026A	74LVC14APW 1.2TO3.6V 0.01mA SCHMITT TRIGGER
D103	EAH33945901	CDS3C30GTH 30V 50V 120V 1.9A 1W SOD123 R/TP	IC103	0IMP242560A	24LC256T-I/SM 256KBIT 256KX8BIT 2.5VTO5.5V
D104	EAH33945901	CDS3C30GTH 30V 50V 120V 1.9A 1W SOD123 R/TP	IC1100	0IMMRAL014D	AT24C02BN-10SU-1.8 2KBIT 256x8BIT 1.8VTO5.5
D900	0DS226009AA	KDS226 1.2V 85V 300MA 2A 4NSEC 150MW SOT23	IC1101	0IPH741400E	74HC14D 2TO6V 0.002mA SCHMITT TRIGGER INVER
D902	0DS226009AA	KDS226 1.2V 85V 300MA 2A 4NSEC 150MW SOT23	IC1102	0IPRP00009A	ICL3232CBNZ 3VTO5.5V - SSOP R/TP 16P INTER
D903	0DS226009AA	KDS226 1.2V 85V 300MA 2A 4NSEC 150MW SOT23	IC1104	0ITO741570C	TC74LCX157FT 2TO3.6V 0.01mA MULTIPLEXER TSS
D904	0DS226009AA	KDS226 1.2V 85V 300MA 2A 4NSEC 150MW SOT23	IC1105	0IMCRFA018A	NC7SB3157P6X_NL 1.65TO5.5V 0.001mA SWITCH/M
D905	0DS226009AA	KDS226 1.2V 85V 300MA 2A 4NSEC 150MW SOT23	IC1106	0IMCRFA018A	NC7SB3157P6X_NL 1.65TO5.5V 0.001mA SWITCH/M
D906	0DD100009AM	EU1ZV(1) 200V 2.5V 10UA 15A 400NSEC E1 TP 2	IC1300	0IMCRMN028C	MSP4450K-QA-D6 7.6TO8.7V_4.75TO5.25V_3.15TO
ZD100	EAH33945901	CDS3C30GTH 30V 50V 120V 1.9A 1W SOD123 R/TP	IC1301	0ILNR00261C	STA335BW 5TO26V 0 10% 20W 0W 80dB 2 POWERSO
ZD101	0DZ510009AK	GDZJ5.1B 5.1V 4.94TO5.2V 80OHM 500MW DO34 T	IC1400	0ISO206900A	CXA2069Q 8.5TO9.5V - - 1.3W QFP TR 64P - S
ZD101	EAH33946001	CDS3C05GTA 5.6V 6.4V 19V 1.9A 1W SOD123 R/T	IC200	0IPMG78391A	SC2595STR 2.3TO5V 0 0W SOIC R/TP 8P SEMTEC
ZD102	0DZ510009AK	GDZJ5.1B 5.1V 4.94TO5.2V 80OHM 500MW DO34 T	IC202	0IMMRIH038B	HYB25D(C)256160CE-5 256MBIT 4MX16BITX4BANKS
ZD102	EAH33946001	CDS3C05GTA 5.6V 6.4V 19V 1.9A 1W SOD123 R/T	IC300	0ISTLPH003B	74LVC541APW 1.2TO3.6V 0.01mA BUFFER/LINE DR
ZD103	EAH33945901	CDS3C30GTH 30V 50V 120V 1.9A 1W SOD123 R/TP	IC301	0IMCRFA013A	74LCX244MTC 2TO3.6V 0.01mA BUFFER/LINE DRIV
ZD104	EAH33945901	CDS3C30GTH 30V 50V 120V 1.9A 1W SOD123 R/TP	IC302	0ISTLPH003B	74LVC541APW 1.2TO3.6V 0.01mA BUFFER/LINE DR
ZD1100	EAH33946001	CDS3C05GTA 5.6V 6.4V 19V 1.9A 1W SOD123 R/T	IC303	0IMCRFA013A	74LCX244MTC 2TO3.6V 0.01mA BUFFER/LINE DRIV
ZD1101	EAH33946001	CDS3C05GTA 5.6V 6.4V 19V 1.9A 1W SOD123 R/T	IC404	0ISTLPH026A	74LVC14APW 1.2TO3.6V 0.01mA SCHMITT TRIGGER
			IC410	0ITO741570C	TC74LCX157FT 2TO3.6V 0.01mA MULTIPLEXER TSS
			IC500	0IMCRSJ001A	SC1565IST-1.8 2.2TO5.5V 1.8V 0W SOT223 R/TP
			IC501	0IPMG00027A	SC156515M-1.8TR 2.2TO5.5V 1.8V 0W TO263 ST
			IC502	0IMCRSJ001B	SC1565IST-2.5TR 2.2TO5V 2.5V 0W SOT223 R/TP
			IC503	0IPMGKE030A	KIA78R05F 6TO12V 5V 8W DPAK R/TP 5P KEC AM
<b>ICs</b>					

LOC. NO.	PART NO.	DESCRIPTION / SPECIFICATION
IC504	OIPMGKE031A	KIA78R33F 4TO10V 3.3V 8W DPAK R/TP 5P KEC
IC505	OIPMGKE031A	KIA78R33F 4TO10V 3.3V 8W DPAK R/TP 5P KEC
IC506	01STL00029A	MC33078DR2G +-5TO+-18V 2mV 0.002% 0W 0W 80D
IC507	OIPMGKE030A	KIA78R05F 6TO12V 5V 8W DPAK R/TP 5P KEC AM
IC600	OIPRP00602A	TPS2010ADR 2.7TO5.5V 8.6MSEC 3.4MSEC 727MW
IC700	EAN33595901	FLI8548H-LF-BE 300MVTO3.6V,300MVTO2.75V,300
IC701	0IMP242560A	24LC256T-I/SM 256KBIT 256KX8BIT 2.5VTO5.5V
IC702	EAN34099701	M2404HEPROM 4KBIT 512 x 8bit 2.5VTO5.5V 10M
IC801	0IMMRIH038B	HYB25D(C)256160CE-5 256MBIT 4MX16BITX4BANKS
IC804	OIPMG78391A	SC2595STR 2.3TO5V 0 0W SOIC R/TP 8P SEMTEC
IC900	OIPMGFA061A	FAN1587AD33X 4.8TO10.3V 3.3V 0W TO252 R/TP
IC901	OIPMGFA061A	FAN1587AD33X 4.8TO10.3V 3.3V 0W TO252 R/TP
IC902	OIPMG00107A	AZ1117H-2.5TR/E1 15V 2.5V 0W SOT223 R/TP 3P
IC903	OIPMG00027A	SC156515M-1.8TR 2.2TO5.5V 1.8V 0W TO263 ST
IC904	EAN32662801	KA7809ERTM 35V to 40V 9V 1W DPAK R/TP 3P F

**TRANSISTORS & FETs**

IC803	EBK32753101	SI4925BDY P-CHANNEL MOSFET -30V +-20 -7.1A
Q100	OTR387500AA	2SC3875S(ALY) NPN 5V 60V 50V 150MA 100NA 70
Q1001	OTR830009BA	BSS83 N-CHANNEL MOSFET 10V 2 50MA 45OHM 230
Q101	OTR387500AA	2SC3875S(ALY) NPN 5V 60V 50V 150MA 100NA 70
Q1100	OTR387500AA	2SC3875S(ALY) NPN 5V 60V 50V 150MA 100NA 70
Q1200	OTR387500AA	2SC3875S(ALY) NPN 5V 60V 50V 150MA 100NA 70
Q1201	OTR387500AA	2SC3875S(ALY) NPN 5V 60V 50V 150MA 100NA 70
Q1202	OTR387500AA	2SC3875S(ALY) NPN 5V 60V 50V 150MA 100NA 70
Q1203	OTR102009AM	KRA102S PNP -30V 0V -50V -0.1A -0.0000005A
Q1204	OTR387500AA	2SC3875S(ALY) NPN 5V 60V 50V 150MA 100NA 70
Q1300	OTR387500AA	2SC3875S(ALY) NPN 5V 60V 50V 150MA 100NA 70
Q1301	OTR387500AA	2SC3875S(ALY) NPN 5V 60V 50V 150MA 100NA 70
Q1302	OTR387500AA	2SC3875S(ALY) NPN 5V 60V 50V 150MA 100NA 70
Q1303	OTR387500AA	2SC3875S(ALY) NPN 5V 60V 50V 150MA 100NA 70
Q1304	OTR387500AA	2SC3875S(ALY) NPN 5V 60V 50V 150MA 100NA 70
Q1305	OTR102009AM	KRA102S PNP -30V 0V -50V -0.1A -0.0000005A
Q1400	OTR387500AA	2SC3875S(ALY) NPN 5V 60V 50V 150MA 100NA 70
Q1401	OTR387500AA	2SC3875S(ALY) NPN 5V 60V 50V 150MA 100NA 70
Q1402	OTR387500AA	2SC3875S(ALY) NPN 5V 60V 50V 150MA 100NA 70
Q1403	OTR150400BA	2SA1504S(ASY) PNP -5V -50V -50V -0.15A -0.0
Q1404	OTR387500AA	2SC3875S(ALY) NPN 5V 60V 50V 150MA 100NA 70
Q400	OTR387500AA	2SC3875S(ALY) NPN 5V 60V 50V 150MA 100NA 70
Q401	OTR387500AA	2SC3875S(ALY) NPN 5V 60V 50V 150MA 100NA 70
Q402	OTR387500AA	2SC3875S(ALY) NPN 5V 60V 50V 150MA 100NA 70
Q500	OTR102009AM	KRA102S PNP -30V 0V -50V -0.1A -0.0000005A
Q502	OTR387500AA	2SC3875S(ALY) NPN 5V 60V 50V 150MA 100NA 70
Q503	OTR387500AA	2SC3875S(ALY) NPN 5V 60V 50V 150MA 100NA 70
Q504	OTR150400BA	2SA1504S(ASY) PNP -5V -50V -50V -0.15A -0.0
Q602	OTR150400BA	2SA1504S(ASY) PNP -5V -50V -50V -0.15A -0.0
Q603	OTR387500AA	2SC3875S(ALY) NPN 5V 60V 50V 150MA 100NA 70
Q604	OTR387500AA	2SC3875S(ALY) NPN 5V 60V 50V 150MA 100NA 70
Q606	OTR150400BA	2SA1504S(ASY) PNP -5V -50V -50V -0.15A -0.0
Q607	OTR150400BA	2SA1504S(ASY) PNP -5V -50V -50V -0.15A -0.0
Q608	OTR387500AA	2SC3875S(ALY) NPN 5V 60V 50V 150MA 100NA 70
Q609	OTR150400BA	2SA1504S(ASY) PNP -5V -50V -50V -0.15A -0.0
Q800	OTR387500AA	2SC3875S(ALY) NPN 5V 60V 50V 150MA 100NA 70
Q900	OTR387500AA	2SC3875S(ALY) NPN 5V 60V 50V 150MA 100NA 70

LOC. NO.	PART NO.	DESCRIPTION / SPECIFICATION
Q901	OTR387500AA	2SC3875S(ALY) NPN 5V 60V 50V 150MA 100NA 70
Q902	OTR387500AA	2SC3875S(ALY) NPN 5V 60V 50V 150MA 100NA 70
Q903	OTR387500AA	2SC3875S(ALY) NPN 5V 60V 50V 150MA 100NA 70
Q904	OTR387500AA	2SC3875S(ALY) NPN 5V 60V 50V 150MA 100NA 70
Q905	OTR387500AA	2SC3875S(ALY) NPN 5V 60V 50V 150MA 100NA 70

**RESISTORS**

AR100	0RJ0472C687	RCA86TRJ47R0 47OHM 5% 1/16W 4 SMD R/TP 8P P
AR101	0RJ0472C687	RCA86TRJ47R0 47OHM 5% 1/16W 4 SMD R/TP 8P P
AR102	0RJ0472C687	RCA86TRJ47R0 47OHM 5% 1/16W 4 SMD R/TP 8P P
AR103	0RJ0472C687	RCA86TRJ47R0 47OHM 5% 1/16W 4 SMD R/TP 8P P
AR104	0RJ0472C687	RCA86TRJ47R0 47OHM 5% 1/16W 4 SMD R/TP 8P P
AR105	0RJ0472C687	RCA86TRJ47R0 47OHM 5% 1/16W 4 SMD R/TP 8P P
AR106	0RJ0472C687	RCA86TRJ47R0 47OHM 5% 1/16W 4 SMD R/TP 8P P
AR107	0RJ0472C687	RCA86TRJ47R0 47OHM 5% 1/16W 4 SMD R/TP 8P P
AR108	0RJ0472C687	RCA86TRJ47R0 47OHM 5% 1/16W 4 SMD R/TP 8P P
AR109	0RJ0472C687	RCA86TRJ47R0 47OHM 5% 1/16W 4 SMD R/TP 8P P
AR110	0RJ0472C687	RCA86TRJ47R0 47OHM 5% 1/16W 4 SMD R/TP 8P P
AR111	0RJ0472C687	RCA86TRJ47R0 47OHM 5% 1/16W 4 SMD R/TP 8P P
AR200	0RJ0222C687	RCA86TRJ22R0 22OHM 5% 1/16W 4 SMD R/TP 8P P
AR201	0RJ0222C687	RCA86TRJ22R0 22OHM 5% 1/16W 4 SMD R/TP 8P P
AR202	0RJ0222C687	RCA86TRJ22R0 22OHM 5% 1/16W 4 SMD R/TP 8P P
AR203	0RJ0222C687	RCA86TRJ22R0 22OHM 5% 1/16W 4 SMD R/TP 8P P
AR204	0RJ0222C687	RCA86TRJ22R0 22OHM 5% 1/16W 4 SMD R/TP 8P P
AR205	0RJ0222C687	RCA86TRJ22R0 22OHM 5% 1/16W 4 SMD R/TP 8P P
AR206	0RJ0222C687	RCA86TRJ22R0 22OHM 5% 1/16W 4 SMD R/TP 8P P
AR701	0RZZH033273	MNR04M0ABJ330 33OHM 5% 1/16W 4 SMD R/TP 8P
AR702	0RZZH033273	MNR04M0ABJ330 33OHM 5% 1/16W 4 SMD R/TP 8P
AR704	EBC32260501	MNR04M0APJ000 0OHM 5% 1/16W 4 SMD R/TP 8P 1
AR706	0RZZH033273	MNR04M0ABJ330 33OHM 5% 1/16W 4 SMD R/TP 8P
AR708	0RZZH033273	MNR04M0ABJ330 33OHM 5% 1/16W 4 SMD R/TP 8P
AR711	EBC32260501	MNR04M0APJ000 0OHM 5% 1/16W 4 SMD R/TP 8P 1
AR800	EBC32260405	MNR04M0APJ680 68OHM 5% 1/16W 4 SMD R/TP 8P
AR805	EBC32260405	MNR04M0APJ680 68OHM 5% 1/16W 4 SMD R/TP 8P
AR806	EBC32260405	MNR04M0APJ680 68OHM 5% 1/16W 4 SMD R/TP 8P
AR807	EBC32260405	MNR04M0APJ680 68OHM 5% 1/16W 4 SMD R/TP 8P
AR808	EBC32260405	MNR04M0APJ680 68OHM 5% 1/16W 4 SMD R/TP 8P
AR809	EBC32260405	MNR04M0APJ680 68OHM 5% 1/16W 4 SMD R/TP 8P
AR810	EBC32260405	MNR04M0APJ680 68OHM 5% 1/16W 4 SMD R/TP 8P
R100	0RH0000D622	MCR10EZJH000 0OHM 5% 1/8W 2012 R/TP ROHM
R100	0RH0000D622	MCR10EZJH000 0OHM 5% 1/8W 2012 R/TP ROHM
R101	0RD9101Q609	RDM94T1J9K10 9.1KOHM 5% 1/4W 3.2X1.8MM - AX
R101	0RH0000D622	MCR10EZJH000 0OHM 5% 1/8W 2012 R/TP ROHM
R101	0RH0752D622	MCR10EZJH750 75OHM 5% 1/8W 2012 R/TP ROHM
R1016	0RJ0222D677	MCR03EZPJ220 22OHM 5% 1/10W 1608 R/TP ROHM
R1017	0RJ0222D677	MCR03EZPJ220 22OHM 5% 1/10W 1608 R/TP ROHM
R1018	0RJ6800D677	MCR03EZPJ681 680OHM 5% 1/10W 1608 R/TP ROH
R1019	0RJ0222D677	MCR03EZPJ220 22OHM 5% 1/10W 1608 R/TP ROHM
R102	0RD3301Q609	RDM94T1J3K30 3.3KOHM 5% 1/4W 3.2X1.8MM - AX
R102	0RH1302D622	MCR10EZJH133 13KOHM 5% 1/8W 2012 R/TP ROHM
R102	0RH4700D622	MCR10EZJH471 470OHM 5% 1/8W 2012 R/TP ROHM
R102	0RJ0472D677	MCR03EZPJ470 47OHM 5% 1/10W 1608 R/TP ROHM
R1020	0RJ6800D677	MCR03EZPJ681 680OHM 5% 1/10W 1608 R/TP ROH
R1021	0RJ0222D677	MCR03EZPJ220 22OHM 5% 1/10W 1608 R/TP ROHM



LOC. NO.	PART NO.	DESCRIPTION / SPECIFICATION	LOC. NO.	PART NO.	DESCRIPTION / SPECIFICATION
R1022	0RJ0222D677	MCR03EZPJ220 22OHM 5% 1/10W 1608 R/TP ROHM	R1117	0RJ0752D677	MCR03EZPJ750 75OHM 5% 1/10W 1608 R/TP ROHM
R1023	0RJ0222D677	MCR03EZPJ220 22OHM 5% 1/10W 1608 R/TP ROHM	R1118	0RJ1001D677	MCR03EZPJ102 1KOHM 5% 1/10W 1608 R/TP ROHM
R103	0RD1101Q609	RDM94T1J1K10 1.1KOHM 5% 1/4W 3.2X1.8MM - AX	R1119	0RJ1001D677	MCR03EZPJ102 1KOHM 5% 1/10W 1608 R/TP ROHM
R103	0RH0000D622	MCR10EZHJ000 0OHM 5% 1/8W 2012 R/TP ROHM	R112	0RH0000D622	MCR10EZHJ000 0OHM 5% 1/8W 2012 R/TP ROHM
R103	0RH2203D622	MCR10EZHJ224 220KOHM 5% 1/8W 2012 R/TP ROH	R112	0RJ1002D677	MCR03EZPJ103 10KOHM 5% 1/10W 1608 R/TP ROH
R103	0RJ0472D677	MCR03EZPJ470 470OHM 5% 1/10W 1608 R/TP ROHM	R1120	0RJ4701D677	MCR03EZPJ472 4.7KOHM 5% 1/10W 1608 R/TP RO
R1038	0RJ0000D677	MCR03EZPJ000 0OHM 5% 1/10W 1608 R/TP ROHM	R1121	0RJ1001D677	MCR03EZPJ102 1KOHM 5% 1/10W 1608 R/TP ROHM
R1039	0RJ0000D677	MCR03EZPJ000 0OHM 5% 1/10W 1608 R/TP ROHM	R1122	0RJ4701D677	MCR03EZPJ472 4.7KOHM 5% 1/10W 1608 R/TP RO
R104	0RD1100Q609	RDM94T1J110R 110OHM 5% 1/4W 3.2X1.8MM NONE	R1123	0RJ0000D677	MCR03EZPJ000 0OHM 5% 1/10W 1608 R/TP ROHM
R104	0RH2002D622	MCR10EZHJ203 20KOHM 5% 1/8W 2012 R/TP ROHM	R1124	0RJ0222D677	MCR03EZPJ220 22OHM 5% 1/10W 1608 R/TP ROHM
R104	0RH4700D622	MCR10EZHJ471 470OHM 5% 1/8W 2012 R/TP ROHM	R1125	0RJ0222D677	MCR03EZPJ220 22OHM 5% 1/10W 1608 R/TP ROHM
R1040	0RJ4702D677	MCR03EZPJ473 47KOHM 5% 1/10W 1608 R/TP ROH	R1126	0RJ1001D677	MCR03EZPJ102 1KOHM 5% 1/10W 1608 R/TP ROHM
R1041	0RJ4702D677	MCR03EZPJ473 47KOHM 5% 1/10W 1608 R/TP ROH	R1127	0RJ0000D677	MCR03EZPJ000 0OHM 5% 1/10W 1608 R/TP ROHM
R1042	0RJ4702D677	MCR03EZPJ473 47KOHM 5% 1/10W 1608 R/TP ROH	R1128	0RJ0222D677	MCR03EZPJ220 22OHM 5% 1/10W 1608 R/TP ROHM
R1043	0RJ4702D677	MCR03EZPJ473 47KOHM 5% 1/10W 1608 R/TP ROH	R1129	0RJ0000D677	MCR03EZPJ000 0OHM 5% 1/10W 1608 R/TP ROHM
R1044	0RJ3301D677	MCR03EZPJ332 3.3KOHM 5% 1/10W 1608 R/TP RO	R113	0RJ1002D677	MCR03EZPJ103 10KOHM 5% 1/10W 1608 R/TP ROH
R1049	0RJ0000D677	MCR03EZPJ000 0OHM 5% 1/10W 1608 R/TP ROHM	R1130	0RJ0000D677	MCR03EZPJ000 0OHM 5% 1/10W 1608 R/TP ROHM
R105	0RD9101Q609	RDM94T1J9K10 9.1KOHM 5% 1/4W 3.2X1.8MM - AX	R1131	0RJ0000D677	MCR03EZPJ000 0OHM 5% 1/10W 1608 R/TP ROHM
R105	0RH0000D622	MCR10EZHJ000 0OHM 5% 1/8W 2012 R/TP ROHM	R1133	0RJ0000D677	MCR03EZPJ000 0OHM 5% 1/10W 1608 R/TP ROHM
R105	0RH2203D622	MCR10EZHJ224 220KOHM 5% 1/8W 2012 R/TP ROH	R1134	0RJ0000D677	MCR03EZPJ000 0OHM 5% 1/10W 1608 R/TP ROHM
R105	0RH2700D622	MCR10EZHJ271 270OHM 5% 1/8W 2012 R/TP ROHM	R1135	0RJ1001D677	MCR03EZPJ102 1KOHM 5% 1/10W 1608 R/TP ROHM
R105	0RJ4701D677	MCR03EZPJ472 4.7KOHM 5% 1/10W 1608 R/TP RO	R1136	0RJ1000D677	MCR03EZPJ101 100OHM 5% 1/10W 1608 R/TP ROH
R1050	0RJ0000D677	MCR03EZPJ000 0OHM 5% 1/10W 1608 R/TP ROHM	R1137	0RJ1000D677	MCR03EZPJ101 100OHM 5% 1/10W 1608 R/TP ROH
R1052	0RJ0000D677	MCR03EZPJ000 0OHM 5% 1/10W 1608 R/TP ROHM	R1139	0RJ1002D677	MCR03EZPJ103 10KOHM 5% 1/10W 1608 R/TP ROH
R1053	0RJ0000D677	MCR03EZPJ000 0OHM 5% 1/10W 1608 R/TP ROHM	R114	0RJ1002D677	MCR03EZPJ103 10KOHM 5% 1/10W 1608 R/TP ROH
R1056	0RJ1002D677	MCR03EZPJ103 10KOHM 5% 1/10W 1608 R/TP ROH	R1140	0RJ0000D677	MCR03EZPJ000 0OHM 5% 1/10W 1608 R/TP ROHM
R1057	0RJ1002D677	MCR03EZPJ103 10KOHM 5% 1/10W 1608 R/TP ROH	R1141	0RJ0000D677	MCR03EZPJ000 0OHM 5% 1/10W 1608 R/TP ROHM
R1058	0RJ1003D677	MCR03EZPJ104 100KOHM 5% 1/10W 1608 R/TP RO	R1148	0RJ1000D677	MCR03EZPJ101 100OHM 5% 1/10W 1608 R/TP ROH
R1059	0RJ2702D677	MCR03EZPJ273 27KOHM 5% 1/10W 1608 R/TP ROH	R1150	0RJ1000D677	MCR03EZPJ101 100OHM 5% 1/10W 1608 R/TP ROH
R106	0RD3301Q609	RDM94T1J3K30 3.3KOHM 5% 1/4W 3.2X1.8MM - AX	R1151	0RJ1000D677	MCR03EZPJ101 100OHM 5% 1/10W 1608 R/TP ROH
R106	0RH0000D622	MCR10EZHJ000 0OHM 5% 1/8W 2012 R/TP ROHM	R1152	0RJ1000D677	MCR03EZPJ101 100OHM 5% 1/10W 1608 R/TP ROH
R106	0RH0000D622	MCR10EZHJ000 0OHM 5% 1/8W 2012 R/TP ROHM	R1157	0RJ1000D677	MCR03EZPJ101 100OHM 5% 1/10W 1608 R/TP ROH
R106	0RJ0000D677	MCR03EZPJ000 0OHM 5% 1/10W 1608 R/TP ROHM	R1158	0RJ1000D677	MCR03EZPJ101 100OHM 5% 1/10W 1608 R/TP ROH
R1060	0RJ3302D677	MCR03EZPJ333 33KOHM 5% 1/10W 1608 R/TP ROH	R1161	0RJ1000D677	MCR03EZPJ101 100OHM 5% 1/10W 1608 R/TP ROH
R1061	0RJ3302D677	MCR03EZPJ333 33KOHM 5% 1/10W 1608 R/TP ROH	R1162	0RJ4701D677	MCR03EZPJ472 4.7KOHM 5% 1/10W 1608 R/TP RO
R1065	0RJ0000D677	MCR03EZPJ000 0OHM 5% 1/10W 1608 R/TP ROHM	R1164	0RJ1000D677	MCR03EZPJ101 100OHM 5% 1/10W 1608 R/TP ROH
R107	0RD1101Q609	RDM94T1J1K10 1.1KOHM 5% 1/4W 3.2X1.8MM - AX	R1165	0RJ1000D677	MCR03EZPJ101 100OHM 5% 1/10W 1608 R/TP ROH
R107	0RH0752D622	MCR10EZHJ750 75OHM 5% 1/8W 2012 R/TP ROHM	R1166	0RJ3301D677	MCR03EZPJ332 3.3KOHM 5% 1/10W 1608 R/TP RO
R108	0RD1100Q609	RDM94T1J110R 110OHM 5% 1/4W 3.2X1.8MM NONE	R1171	0RJ0000D677	MCR03EZPJ000 0OHM 5% 1/10W 1608 R/TP ROHM
R108	0RH0000D622	MCR10EZHJ000 0OHM 5% 1/8W 2012 R/TP ROHM	R1185	0RH0000D622	MCR10EZHJ000 0OHM 5% 1/8W 2012 R/TP ROHM
R109	0RH0752D622	MCR10EZHJ750 75OHM 5% 1/8W 2012 R/TP ROHM	R1186	0RH0000D622	MCR10EZHJ000 0OHM 5% 1/8W 2012 R/TP ROHM
R110	0RH0000D622	MCR10EZHJ000 0OHM 5% 1/8W 2012 R/TP ROHM	R119	0RJ0000D677	MCR03EZPJ000 0OHM 5% 1/10W 1608 R/TP ROHM
R110	0RJ1002D677	MCR03EZPJ103 10KOHM 5% 1/10W 1608 R/TP ROH	R120	0RJ1802D677	MCR03EZPJ183 18KOHM 5% 1/10W 1608 R/TP ROH
R1101	0RJ1002D677	MCR03EZPJ103 10KOHM 5% 1/10W 1608 R/TP ROH	R1200	0RJ0752D677	MCR03EZPJ750 75OHM 5% 1/10W 1608 R/TP ROHM
R1102	0RJ1001D677	MCR03EZPJ102 1KOHM 5% 1/10W 1608 R/TP ROHM	R1201	0RJ0000D677	MCR03EZPJ000 0OHM 5% 1/10W 1608 R/TP ROHM
R1103	0RJ1002D677	MCR03EZPJ103 10KOHM 5% 1/10W 1608 R/TP ROH	R1202	0RJ0682D677	MCR03EZPJ680 68OHM 5% 1/10W 1608 R/TP ROHM
R1104	0RJ0000D677	MCR03EZPJ000 0OHM 5% 1/10W 1608 R/TP ROHM	R1203	0RJ4703D677	MCR03EZPJ474 470KOHM 5% 1/10W 1608 R/TP RO
R1107	0RJ4701D677	MCR03EZPJ472 4.7KOHM 5% 1/10W 1608 R/TP RO	R1204	0RJ4702D677	MCR03EZPJ473 47KOHM 5% 1/10W 1608 R/TP ROH
R1108	0RJ4701D677	MCR03EZPJ472 4.7KOHM 5% 1/10W 1608 R/TP RO	R1205	0RJ2203D677	MCR03EZPJ224 220KOHM 5% 1/10W 1608 R/TP RO
R111	0RH0000D622	MCR10EZHJ000 0OHM 5% 1/8W 2012 R/TP ROHM	R1207	0RJ2203D677	MCR03EZPJ224 220KOHM 5% 1/10W 1608 R/TP RO
R111	0RJ1002D677	MCR03EZPJ103 10KOHM 5% 1/10W 1608 R/TP ROH	R1209	0RJ3002D677	MCR03EZPJ303 30KOHM 5% 1/10W 1608 R/TP ROH
R1113	0RJ0752D677	MCR03EZPJ750 75OHM 5% 1/10W 1608 R/TP ROHM	R121	0RJ1202D677	MCR03EZPJ123 12KOHM 5% 1/10W 1608 R/TP ROH
R1114	0RJ2203D677	MCR03EZPJ224 220KOHM 5% 1/10W 1608 R/TP RO	R1210	0RJ2203D677	MCR03EZPJ224 220KOHM 5% 1/10W 1608 R/TP RO
R1115	0RJ0752D677	MCR03EZPJ750 75OHM 5% 1/10W 1608 R/TP ROHM	R1211	0RJ4703D677	MCR03EZPJ474 470KOHM 5% 1/10W 1608 R/TP RO
R1116	0RJ2203D677	MCR03EZPJ224 220KOHM 5% 1/10W 1608 R/TP RO	R1212	0RJ2203D677	MCR03EZPJ224 220KOHM 5% 1/10W 1608 R/TP RO

LOC. NO.	PART NO.	DESCRIPTION / SPECIFICATION	LOC. NO.	PART NO.	DESCRIPTION / SPECIFICATION
R1213	0RJ4703D677	MCR03EZPJ474 470KOHM 5% 1/10W 1608 R/TP RO	R1286	0RH0000D622	MCR10EZHJ000 0OHM 5% 1/8W 2012 R/TP ROHM
R1214	0RJ0752D677	MCR03EZPJ750 750OHM 5% 1/10W 1608 R/TP ROHM	R1287	0RH0000D622	MCR10EZHJ000 0OHM 5% 1/8W 2012 R/TP ROHM
R1215	0RJ1001D477	MCR03EZPF102 1KOHM 1% 1/10W 1608 R/TP ROHM	R1288	0RH0000D622	MCR10EZHJ000 0OHM 5% 1/8W 2012 R/TP ROHM
R1216	0RJ1001D477	MCR03EZPF102 1KOHM 1% 1/10W 1608 R/TP ROHM	R1289	0RH0000D622	MCR10EZHJ000 0OHM 5% 1/8W 2012 R/TP ROHM
R1219	0RJ0752D677	MCR03EZPJ750 750OHM 5% 1/10W 1608 R/TP ROHM	R129	0RJ0472D677	MCR03EZPJ470 470OHM 5% 1/10W 1608 R/TP ROHM
R122	0RJ0472D677	MCR03EZPJ470 470OHM 5% 1/10W 1608 R/TP ROHM	R1290	0RH0000D622	MCR10EZHJ000 0OHM 5% 1/8W 2012 R/TP ROHM
R1220	0RJ2203D677	MCR03EZPJ224 220KOHM 5% 1/10W 1608 R/TP RO	R1291	0RH0000D622	MCR10EZHJ000 0OHM 5% 1/8W 2012 R/TP ROHM
R1221	0RJ0752D677	MCR03EZPJ750 750OHM 5% 1/10W 1608 R/TP ROHM	R1292	0RH0000D622	MCR10EZHJ000 0OHM 5% 1/8W 2012 R/TP ROHM
R1222	0RJ0752D677	MCR03EZPJ750 750OHM 5% 1/10W 1608 R/TP ROHM	R1293	0RH0000D622	MCR10EZHJ000 0OHM 5% 1/8W 2012 R/TP ROHM
R1223	0RJ2203D677	MCR03EZPJ224 220KOHM 5% 1/10W 1608 R/TP RO	R1300	0RJ6202D677	MCR03EZPJ623 62KOHM 5% 1/10W 1608 R/TP ROH
R1224	0RJ1001D677	MCR03EZPJ102 1KOHM 5% 1/10W 1608 R/TP ROHM	R1301	0RJ2402D677	MCR03EZPJ243 24KOHM 5% 1/10W 1608 R/TP ROH
R1225	0RJ1001D477	MCR03EZPF102 1KOHM 1% 1/10W 1608 R/TP ROHM	R1302	0RJ4700D677	MCR03EZPJ471 470OHM 5% 1/10W 1608 R/TP ROH
R1226	0RJ1001D477	MCR03EZPF102 1KOHM 1% 1/10W 1608 R/TP ROHM	R1303	0RJ1501D677	MCR03EZPJ152 1.5KOHM 5% 1/10W 1608 R/TP RO
R1227	0RJ2201D477	MCR03EZPF222 2.2KOHM 1% 1/10W 1608 R/TP RO	R1304	0RJ0432D677	MCR03EZPJ430 430OHM 5% 1/10W 1608 R/TP ROHM
R1228	0RJ2201D477	MCR03EZPF222 2.2KOHM 1% 1/10W 1608 R/TP RO	R1305	0RJ0432D677	MCR03EZPJ430 430OHM 5% 1/10W 1608 R/TP ROHM
R1229	0RJ0752D677	MCR03EZPJ750 750OHM 5% 1/10W 1608 R/TP ROHM	R1307	0RJ1000D677	MCR03EZPJ101 100OHM 5% 1/10W 1608 R/TP ROH
R123	0RJ0472C678	MCR01MZPJ470 470OHM 5% 1/16W 1005 R/TP - RO	R1308	0RJ1000D677	MCR03EZPJ101 100OHM 5% 1/10W 1608 R/TP ROH
R1230	0RJ0752D677	MCR03EZPJ750 750OHM 5% 1/10W 1608 R/TP ROHM	R1309	0RJ1000D677	MCR03EZPJ101 100OHM 5% 1/10W 1608 R/TP ROH
R1231	0RJ1002D677	MCR03EZPJ103 10KOHM 5% 1/10W 1608 R/TP ROH	R131	0RJ0472D677	MCR03EZPJ470 470OHM 5% 1/10W 1608 R/TP ROHM
R1235	0RJ4703D677	MCR03EZPJ474 470KOHM 5% 1/10W 1608 R/TP RO	R1310	0RJ0000D677	MCR03EZPJ000 0OHM 5% 1/10W 1608 R/TP ROHM
R1236	0RJ4703D677	MCR03EZPJ474 470KOHM 5% 1/10W 1608 R/TP RO	R1311	0RJ1000D677	MCR03EZPJ101 100OHM 5% 1/10W 1608 R/TP ROH
R1237	0RJ1001D477	MCR03EZPF102 1KOHM 1% 1/10W 1608 R/TP ROHM	R1312	0RJ1000D677	MCR03EZPJ101 100OHM 5% 1/10W 1608 R/TP ROH
R1238	0RJ1001D477	MCR03EZPF102 1KOHM 1% 1/10W 1608 R/TP ROHM	R1313	0RJ1000D677	MCR03EZPJ101 100OHM 5% 1/10W 1608 R/TP ROH
R1239	0RJ0000D677	MCR03EZPJ000 0OHM 5% 1/10W 1608 R/TP ROHM	R1314	0RJ1000D677	MCR03EZPJ101 100OHM 5% 1/10W 1608 R/TP ROH
R124	0RJ1200C678	MCR01MZPJ121 120OHM 5% 1/16W 1005 R/TP ROH	R1315	0RJ1001D677	MCR03EZPJ102 1KOHM 5% 1/10W 1608 R/TP ROHM
R1240	0RJ0752D677	MCR03EZPJ750 750OHM 5% 1/10W 1608 R/TP ROHM	R1316	0RJ1001D677	MCR03EZPJ102 1KOHM 5% 1/10W 1608 R/TP ROHM
R1241	0RJ0752D677	MCR03EZPJ750 750OHM 5% 1/10W 1608 R/TP ROHM	R1317	0RJ4701D677	MCR03EZPJ472 4.7KOHM 5% 1/10W 1608 R/TP RO
R1242	0RJ0752D677	MCR03EZPJ750 750OHM 5% 1/10W 1608 R/TP ROHM	R1318	0RJ4701D677	MCR03EZPJ472 4.7KOHM 5% 1/10W 1608 R/TP RO
R1243	0RJ0752D677	MCR03EZPJ750 750OHM 5% 1/10W 1608 R/TP ROHM	R1319	0RJ0000D677	MCR03EZPJ000 0OHM 5% 1/10W 1608 R/TP ROHM
R1244	0RJ0752D677	MCR03EZPJ750 750OHM 5% 1/10W 1608 R/TP ROHM	R1320	0RJ0000D677	MCR03EZPJ000 0OHM 5% 1/10W 1608 R/TP ROHM
R1245	0RJ0752D677	MCR03EZPJ750 750OHM 5% 1/10W 1608 R/TP ROHM	R1321	0RJ2001D677	MCR03EZPJ202 2KOHM 5% 1/10W 1608 R/TP ROHM
R125	0RJ0472D677	MCR03EZPJ470 470OHM 5% 1/10W 1608 R/TP ROHM	R1322	0RJ2001D677	MCR03EZPJ202 2KOHM 5% 1/10W 1608 R/TP ROHM
R1259	0RJ1001D677	MCR03EZPJ102 1KOHM 5% 1/10W 1608 R/TP ROHM	R1323	0RJ4703D677	MCR03EZPJ474 470KOHM 5% 1/10W 1608 R/TP RO
R126	0RJ0472D677	MCR03EZPJ470 470OHM 5% 1/10W 1608 R/TP ROHM	R1324	0RJ4703D677	MCR03EZPJ474 470KOHM 5% 1/10W 1608 R/TP RO
R1260	0RJ2001D677	MCR03EZPJ202 2KOHM 5% 1/10W 1608 R/TP ROHM	R1327	0RJ0000D677	MCR03EZPJ000 0OHM 5% 1/10W 1608 R/TP ROHM
R1261	0RJ2001D677	MCR03EZPJ202 2KOHM 5% 1/10W 1608 R/TP ROHM	R1328	0RJ2200D677	MCR03EZPJ221 220OHM 5% 1/10W 1608 R/TP ROH
R1262	0RJ0000D677	MCR03EZPJ000 0OHM 5% 1/10W 1608 R/TP ROHM	R1329	0RJ0101D677	MCR03EZPJ1R0 1OHM 5% 1/10W 1608 R/TP ROHM
R1263	0RJ0000D677	MCR03EZPJ000 0OHM 5% 1/10W 1608 R/TP ROHM	R133	0RJ0472D677	MCR03EZPJ470 470OHM 5% 1/10W 1608 R/TP ROHM
R1264	0RJ0000D677	MCR03EZPJ000 0OHM 5% 1/10W 1608 R/TP ROHM	R1330	0RJ0101D677	MCR03EZPJ1R0 1OHM 5% 1/10W 1608 R/TP ROHM
R1270	0RJ1001D677	MCR03EZPJ102 1KOHM 5% 1/10W 1608 R/TP ROHM	R1331	0RJ1002D677	MCR03EZPJ103 10KOHM 5% 1/10W 1608 R/TP ROH
R1271	0RJ1001D677	MCR03EZPJ102 1KOHM 5% 1/10W 1608 R/TP ROHM	R1332	0RJ2200D677	MCR03EZPJ221 220OHM 5% 1/10W 1608 R/TP ROH
R1273	0RJ3301D677	MCR03EZPJ332 3.3KOHM 5% 1/10W 1608 R/TP RO	R1333	0RJ2200D677	MCR03EZPJ221 220OHM 5% 1/10W 1608 R/TP ROH
R1274	0RJ0752D677	MCR03EZPJ750 750OHM 5% 1/10W 1608 R/TP ROHM	R1334	0RJ2200D677	MCR03EZPJ221 220OHM 5% 1/10W 1608 R/TP ROH
R1275	0RJ0000D677	MCR03EZPJ000 0OHM 5% 1/10W 1608 R/TP ROHM	R1338	0RJ3901D677	MCR03EZPJ392 3.9KOHM 5% 1/10W 1608 R/TP RO
R1276	0RJ3002D677	MCR03EZPJ303 30KOHM 5% 1/10W 1608 R/TP ROH	R134	0RJ0472D677	MCR03EZPJ470 470OHM 5% 1/10W 1608 R/TP ROHM
R1277	0RJ2203D677	MCR03EZPJ224 220KOHM 5% 1/10W 1608 R/TP RO	R1345	0RJ4701D677	MCR03EZPJ472 4.7KOHM 5% 1/10W 1608 R/TP RO
R1278	0RJ2203D677	MCR03EZPJ224 220KOHM 5% 1/10W 1608 R/TP RO	R1346	0RJ4701D677	MCR03EZPJ472 4.7KOHM 5% 1/10W 1608 R/TP RO
R1279	0RJ4702D677	MCR03EZPJ473 47KOHM 5% 1/10W 1608 R/TP ROH	R1347	0RJ0392D677	MCR03EZPJ390 390OHM 5% 1/10W 1608 R/TP ROHM
R128	0RJ0472D677	MCR03EZPJ470 470OHM 5% 1/10W 1608 R/TP ROHM	R1348	0RJ0392D677	MCR03EZPJ390 390OHM 5% 1/10W 1608 R/TP ROHM
R1280	0RJ1001D677	MCR03EZPJ102 1KOHM 5% 1/10W 1608 R/TP ROHM	R1349	0RJ0392D677	MCR03EZPJ390 390OHM 5% 1/10W 1608 R/TP ROHM
R1281	0RJ1001D677	MCR03EZPJ102 1KOHM 5% 1/10W 1608 R/TP ROHM	R1350	0RJ0392D677	MCR03EZPJ390 390OHM 5% 1/10W 1608 R/TP ROHM
R1282	0RJ2203D677	MCR03EZPJ224 220KOHM 5% 1/10W 1608 R/TP RO	R1351	0RJ0122D677	MCR03EZPJ120 12OHM 5% 1/10W 1608 R/TP ROHM
R1283	0RJ2203D677	MCR03EZPJ224 220KOHM 5% 1/10W 1608 R/TP RO	R1352	0RJ0122D677	MCR03EZPJ120 12OHM 5% 1/10W 1608 R/TP ROHM
R1284	0RH0000D622	MCR10EZHJ000 0OHM 5% 1/8W 2012 R/TP ROHM	R1353	0RJ0122D677	MCR03EZPJ120 12OHM 5% 1/10W 1608 R/TP ROHM
R1285	0RH0000D622	MCR10EZHJ000 0OHM 5% 1/8W 2012 R/TP ROHM	R1354	0RJ0122D677	MCR03EZPJ120 12OHM 5% 1/10W 1608 R/TP ROHM

LOC. NO.	PART NO.	DESCRIPTION / SPECIFICATION	LOC. NO.	PART NO.	DESCRIPTION / SPECIFICATION
R1355	0RJ0122D677	MCR03EZPJ120 120OHM 5% 1/10W 1608 R/TP ROHM	R1454	0RJ4703D677	MCR03EZPJ474 470KOHM 5% 1/10W 1608 R/TP RO
R1356	0RJ0122D677	MCR03EZPJ120 120OHM 5% 1/10W 1608 R/TP ROHM	R1455	0RJ4701D677	MCR03EZPJ472 4.7KOHM 5% 1/10W 1608 R/TP RO
R1357	0RJ0122D677	MCR03EZPJ120 120OHM 5% 1/10W 1608 R/TP ROHM	R1456	0RJ1501D677	MCR03EZPJ152 1.5KOHM 5% 1/10W 1608 R/TP RO
R1358	0RJ0122D677	MCR03EZPJ120 120OHM 5% 1/10W 1608 R/TP ROHM	R146	0RJ2701D677	MCR03EZPJ272 2.7KOHM 5% 1/10W 1608 R/TP RO
R1359	0RJ0000D677	MCR03EZPJ000 0OHM 5% 1/10W 1608 R/TP ROHM	R1460	0RJ1000C678	MCR01MZPJ101 100OHM 5% 1/16W 1005 R/TP ROH
R136	0RJ0472C678	MCR01MZPJ470 470OHM 5% 1/16W 1005 R/TP - RO	R1461	0RJ1000C678	MCR01MZPJ101 100OHM 5% 1/16W 1005 R/TP ROH
R1360	0RJ0000D677	MCR03EZPJ000 0OHM 5% 1/10W 1608 R/TP ROHM	R1462	0RJ1000C678	MCR01MZPJ101 100OHM 5% 1/16W 1005 R/TP ROH
R1361	0RJ0000D677	MCR03EZPJ000 0OHM 5% 1/10W 1608 R/TP ROHM	R1463	0RJ1003D677	MCR03EZPJ104 100KOHM 5% 1/10W 1608 R/TP RO
R1362	0RJ0000D677	MCR03EZPJ000 0OHM 5% 1/10W 1608 R/TP ROHM	R1465	0RJ1000C678	MCR01MZPJ101 100OHM 5% 1/16W 1005 R/TP ROH
R1363	0RD3301A609	RDM92T1J3K30 3.3KOHM 5% 1/2W 6.5X2.3MM - AX	R1466	0RJ1201C678	MCR01MZPJ122 1.2KOHM 5% 1/16W 1005 R/TP RO
R1364	0RJ7500D677	MCR03EZPJ751 750OHM 5% 1/10W 1608 R/TP ROH	R1467	0RJ1001D677	MCR03EZPJ102 1KOHM 5% 1/10W 1608 R/TP ROHM
R1365	0RJ7500D677	MCR03EZPJ751 750OHM 5% 1/10W 1608 R/TP ROH	R1468	0RJ1201C678	MCR01MZPJ122 1.2KOHM 5% 1/16W 1005 R/TP RO
R1366	0RJ7500D677	MCR03EZPJ751 750OHM 5% 1/10W 1608 R/TP ROH	R1469	0RH0000D622	MCR10EZHJ000 0OHM 5% 1/8W 2012 R/TP ROHM
R1367	0RJ0000G676	MCR18EZHJ000_0OHM 5% 1/4W 3216 R/TP . ROH	R147	0RJ0472D677	MCR03EZPJ470 470OHM 5% 1/10W 1608 R/TP ROHM
R137	0RJ0472D677	MCR03EZPJ470 470OHM 5% 1/10W 1608 R/TP ROHM	R1477	0RH0000D622	MCR10EZHJ000 0OHM 5% 1/8W 2012 R/TP ROHM
R138	0RJ1002D677	MCR03EZPJ103 10KOHM 5% 1/10W 1608 R/TP ROH	R1478	0RH0000D622	MCR10EZHJ000 0OHM 5% 1/8W 2012 R/TP ROHM
R139	0RJ0472D677	MCR03EZPJ470 470OHM 5% 1/10W 1608 R/TP ROHM	R148	0RJ0472D677	MCR03EZPJ470 470OHM 5% 1/10W 1608 R/TP ROHM
R140	0RJ0472D677	MCR03EZPJ470 470OHM 5% 1/10W 1608 R/TP ROHM	R149	0RJ2701D677	MCR03EZPJ272 2.7KOHM 5% 1/10W 1608 R/TP RO
R1400	0RJ1501D677	MCR03EZPJ152 1.5KOHM 5% 1/10W 1608 R/TP RO	R150	0RJ0472D677	MCR03EZPJ470 470OHM 5% 1/10W 1608 R/TP ROHM
R1401	0RJ4701D677	MCR03EZPJ472 4.7KOHM 5% 1/10W 1608 R/TP RO	R151	0RJ0472C678	MCR01MZPJ470 470OHM 5% 1/16W 1005 R/TP - RO
R1402	0RJ1000D677	MCR03EZPJ101 100OHM 5% 1/10W 1608 R/TP ROH	R152	0RJ0472D677	MCR03EZPJ470 470OHM 5% 1/10W 1608 R/TP ROHM
R1403	0RJ1000D677	MCR03EZPJ101 100OHM 5% 1/10W 1608 R/TP ROH	R153	0RJ0472C678	MCR01MZPJ470 470OHM 5% 1/16W 1005 R/TP - RO
R1404	0RJ1001D677	MCR03EZPJ102 1KOHM 5% 1/10W 1608 R/TP ROHM	R154	0RJ1002D677	MCR03EZPJ103 10KOHM 5% 1/10W 1608 R/TP ROH
R1405	0RJ1001D677	MCR03EZPJ102 1KOHM 5% 1/10W 1608 R/TP ROHM	R155	0RJ3303D677	MCR03EZPJ334 330KOHM 5% 1/10W 1608 R/TP
R1406	0RJ0000D677	MCR03EZPJ000 0OHM 5% 1/10W 1608 R/TP ROHM	R157	0RJ0472D677	MCR03EZPJ470 470OHM 5% 1/10W 1608 R/TP ROHM
R1407	0RJ0000D677	MCR03EZPJ000 0OHM 5% 1/10W 1608 R/TP ROHM	R1607	0RJ0000D677	MCR03EZPJ000 0OHM 5% 1/10W 1608 R/TP ROHM
R1408	0RJ0000D677	MCR03EZPJ000 0OHM 5% 1/10W 1608 R/TP ROHM	R1608	0RJ0000D677	MCR03EZPJ000 0OHM 5% 1/10W 1608 R/TP ROHM
R1409	0RJ1500D677	MCR03EZPJ151 150OHM 5% 1/10W 1608 R/TP ROH	R1609	0RJ0000D677	MCR03EZPJ000 0OHM 5% 1/10W 1608 R/TP ROHM
R1410	0RJ0000D677	MCR03EZPJ000 0OHM 5% 1/10W 1608 R/TP ROHM	R162	0RJ0472D677	MCR03EZPJ470 470OHM 5% 1/10W 1608 R/TP ROHM
R1411	0RJ2200D677	MCR03EZPJ221 220OHM 5% 1/10W 1608 R/TP ROH	R163	0RJ0472D677	MCR03EZPJ470 470OHM 5% 1/10W 1608 R/TP ROHM
R1412	0RJ2200D677	MCR03EZPJ221 220OHM 5% 1/10W 1608 R/TP ROH	R164	0RJ1202D677	MCR03EZPJ123 12KOHM 5% 1/10W 1608 R/TP ROH
R1413	0RJ0000D677	MCR03EZPJ000 0OHM 5% 1/10W 1608 R/TP ROHM	R165	0RJ1002D677	MCR03EZPJ103 10KOHM 5% 1/10W 1608 R/TP ROH
R1414	0RJ1000D677	MCR03EZPJ101 100OHM 5% 1/10W 1608 R/TP ROH	R166	0RJ0472D677	MCR03EZPJ470 470OHM 5% 1/10W 1608 R/TP ROHM
R1415	0RJ2200D677	MCR03EZPJ221 220OHM 5% 1/10W 1608 R/TP ROH	R167	0RJ1002D677	MCR03EZPJ103 10KOHM 5% 1/10W 1608 R/TP ROH
R1416	0RJ2200D677	MCR03EZPJ221 220OHM 5% 1/10W 1608 R/TP ROH	R168	0RJ1002D677	MCR03EZPJ103 10KOHM 5% 1/10W 1608 R/TP ROH
R1417	0RJ1000D677	MCR03EZPJ101 100OHM 5% 1/10W 1608 R/TP ROH	R169	0RJ0000D677	MCR03EZPJ000 0OHM 5% 1/10W 1608 R/TP ROHM
R1418	0RJ1000D677	MCR03EZPJ101 100OHM 5% 1/10W 1608 R/TP ROH	R170	0RJ0000D677	MCR03EZPJ000 0OHM 5% 1/10W 1608 R/TP ROHM
R1419	0RJ1000D677	MCR03EZPJ101 100OHM 5% 1/10W 1608 R/TP ROH	R1703	0RJ1000C678	MCR01MZPJ101 100OHM 5% 1/16W 1005 R/TP ROH
R142	0RJ0472D677	MCR03EZPJ470 470OHM 5% 1/10W 1608 R/TP ROHM	R1704	0RJ1000C678	MCR01MZPJ101 100OHM 5% 1/16W 1005 R/TP ROH
R1420	0RJ1000D677	MCR03EZPJ101 100OHM 5% 1/10W 1608 R/TP ROH	R1706	0RJ0332C678	MCR01MZPJ330 330OHM 5% 1/16W 1005 R/TP ROHM
R1421	0RJ1000D677	MCR03EZPJ101 100OHM 5% 1/10W 1608 R/TP ROH	R1708	0RJ0332D677	MCR03EZPJ330 330OHM 5% 1/10W 1608 R/TP ROHM
R1422	0RJ1000D677	MCR03EZPJ101 100OHM 5% 1/10W 1608 R/TP ROH	R1709	0RJ1002D677	MCR03EZPJ103 10KOHM 5% 1/10W 1608 R/TP ROH
R1423	0RJ1000D677	MCR03EZPJ101 100OHM 5% 1/10W 1608 R/TP ROH	R1710	0RJ0222C678	MCR01MZPJ220 220OHM 5% 1/16W 1005 R/TP - RO
R1429	0RJ1001C678	MCR01MZPJ102 1KOHM 5% 1/16W 1005 R/TP ROHM	R1713	0RJ4701D677	MCR03EZPJ472 4.7KOHM 5% 1/10W 1608 R/TP RO
R143	0RJ2701D677	MCR03EZPJ272 2.7KOHM 5% 1/10W 1608 R/TP RO	R1715	0RJ1000D677	MCR03EZPJ101 100OHM 5% 1/10W 1608 R/TP ROH
R1430	0RJ1201C678	MCR01MZPJ122 1.2KOHM 5% 1/16W 1005 R/TP RO	R1716	0RJ1000C678	MCR01MZPJ101 100OHM 5% 1/16W 1005 R/TP ROH
R1431	0RJ1201C678	MCR01MZPJ122 1.2KOHM 5% 1/16W 1005 R/TP RO	R1717	0RJ1002D677	MCR03EZPJ103 10KOHM 5% 1/10W 1608 R/TP ROH
R1433	0RJ1000C678	MCR01MZPJ101 100OHM 5% 1/16W 1005 R/TP ROH	R1718	0RJ1000C678	MCR01MZPJ101 100OHM 5% 1/16W 1005 R/TP ROH
R1436	0RJ1201C678	MCR01MZPJ122 1.2KOHM 5% 1/16W 1005 R/TP RO	R1719	0RJ0332D677	MCR03EZPJ330 330OHM 5% 1/10W 1608 R/TP ROHM
R1438	0RJ1201C678	MCR01MZPJ122 1.2KOHM 5% 1/16W 1005 R/TP RO	R1720	0RJ1000C678	MCR01MZPJ101 100OHM 5% 1/16W 1005 R/TP ROH
R1439	0RJ1000C678	MCR01MZPJ101 100OHM 5% 1/16W 1005 R/TP ROH	R1721	0RJ4701D677	MCR03EZPJ472 4.7KOHM 5% 1/10W 1608 R/TP RO
R144	0RJ0472D677	MCR03EZPJ470 470OHM 5% 1/10W 1608 R/TP ROHM	R1722	0RJ2701D677	MCR03EZPJ272 2.7KOHM 5% 1/10W 1608 R/TP RO
R145	0RJ2701D677	MCR03EZPJ272 2.7KOHM 5% 1/10W 1608 R/TP RO	R1724	0RJ0332C678	MCR01MZPJ330 330OHM 5% 1/16W 1005 R/TP ROHM
R1452	0RJ1000D677	MCR03EZPJ101 100OHM 5% 1/10W 1608 R/TP ROH	R1726	0RJ1000D677	MCR03EZPJ101 100OHM 5% 1/10W 1608 R/TP ROH
R1453	0RJ4703D677	MCR03EZPJ474 470KOHM 5% 1/10W 1608 R/TP RO	R1727	0RJ0332D677	MCR03EZPJ330 330OHM 5% 1/10W 1608 R/TP ROHM







LOC. NO.	PART NO.	DESCRIPTION / SPECIFICATION	LOC. NO.	PART NO.	DESCRIPTION / SPECIFICATION
R813	0RJ0222C678	MCR01MZPJ220 22OHM 5% 1/16W 1005 R/TP - RO	L103	6210TCE001G	Filter,Bead HH-1M3216-501JT 500OHM
R816	0RJ0000D677	MCR03EZPJ000 0OHM 5% 1/10W 1608 R/TP ROHM	L104	6210TCE001G	Filter,Bead HH-1M3216-501JT 500OHM
R818	0RJ1002D677	MCR03EZPJ103 10KOHM 5% 1/10W 1608 R/TP ROH	L105	6210TCE001G	Filter,Bead HH-1M3216-501JT 500OHM
R821	0RJ0682C678	MCR01MZPJ680 68OHM 5% 1/16W 1005 R/TP ROHM	L106	6210TCE001G	Filter,Bead HH-1M3216-501JT 500OHM
R822	0RJ0000D677	MCR03EZPJ000 0OHM 5% 1/10W 1608 R/TP ROHM	L108	6210TCE001G	Filter,Bead HH-1M3216-501JT 500OHM
R823	0RJ2700C678	MCR01MZPJ271 270OHM 5% 1/16W 1005 R/TP - R	L109	0LC1032101A	Inductor,Multilayer,Chip FI-C3216-103KJT 10UH
R825	0RJ2700C678	MCR01MZPJ271 270OHM 5% 1/16W 1005 R/TP - R	L1101	6210TCE001L	Filter,Bead HB-1T2012-102JT 1000OHM
R826	0RJ0000D677	MCR03EZPJ000 0OHM 5% 1/10W 1608 R/TP ROHM	L1102	6210TCE001L	Filter,Bead HB-1T2012-102JT 1000OHM
R827	0RJ0682C678	MCR01MZPJ680 68OHM 5% 1/16W 1005 R/TP ROHM	L1104	6210TCE001G	Filter,Bead HH-1M3216-501JT 500OHM
R829	0RJ0000D677	MCR03EZPJ000 0OHM 5% 1/10W 1608 R/TP ROHM	L1105	6210TCE001P	Filter,Bead HB-1S2012-121JT(H:1mm)
R843	0RJ1002D677	MCR03EZPJ103 10KOHM 5% 1/10W 1608 R/TP ROH	L1106	6210TCE001P	Filter,Bead HB-1S2012-121JT(H:1mm)
R851	0RJ0000D677	MCR03EZPJ000 0OHM 5% 1/10W 1608 R/TP ROHM	L1107	6210TCE001P	Filter,Bead HB-1S2012-121JT(H:1mm)
R853	0RJ0000D677	MCR03EZPJ000 0OHM 5% 1/10W 1608 R/TP ROHM	L1108	6210TCE001P	Filter,Bead HB-1S2012-121JT(H:1mm)
R854	0RJ0000D677	MCR03EZPJ000 0OHM 5% 1/10W 1608 R/TP ROHM	L1109	6210TCE001P	Filter,Bead HB-1S2012-121JT(H:1mm)
R860	0RJ0682C678	MCR01MZPJ680 68OHM 5% 1/16W 1005 R/TP ROHM	L1205	6210TCE001G	Filter,Bead HH-1M3216-501JT 500OHM
R877	0RJ0682C678	MCR01MZPJ680 68OHM 5% 1/16W 1005 R/TP ROHM	L1206	6210TCE001Z	Filter,Bead HH-1M2012-600JT 60OHM CE
R880	0RJ0682C678	MCR01MZPJ680 68OHM 5% 1/16W 1005 R/TP ROHM	L1207	6210TCE001Z	Filter,Bead HH-1M2012-600JT 60OHM CE
R881	0RJ0682C678	MCR01MZPJ680 68OHM 5% 1/16W 1005 R/TP ROHM	L1208	6210TCE001Z	Filter,Bead HH-1M2012-600JT 60OHM CE
R882	0RJ0682C678	MCR01MZPJ680 68OHM 5% 1/16W 1005 R/TP ROHM	L1209	0LC0233002A	Inductor,Multilayer,Chip FI-B2012-332KJT 3.3UH
R883	0RJ0682C678	MCR01MZPJ680 68OHM 5% 1/16W 1005 R/TP ROHM	L1210	0LC0233002A	Inductor,Multilayer,Chip FI-B2012-332KJT 3.3UH
R884	0RJ0682C678	MCR01MZPJ680 68OHM 5% 1/16W 1005 R/TP ROHM	L1211	6210TCE001L	Filter,Bead HB-1T2012-102JT 1000OHM
R885	0RJ0682C678	MCR01MZPJ680 68OHM 5% 1/16W 1005 R/TP ROHM	L1212	6210TCE001L	Filter,Bead HB-1T2012-102JT 1000OHM
R886	0RJ0682C678	MCR01MZPJ680 68OHM 5% 1/16W 1005 R/TP ROHM	L1213	0LC0233002A	Inductor,Multilayer,Chip FI-B2012-332KJT 3.3UH
R888	0RJ0682C678	MCR01MZPJ680 68OHM 5% 1/16W 1005 R/TP ROHM	L1214	0LC0233002A	Inductor,Multilayer,Chip FI-B2012-332KJT 3.3UH
R891	0RJ0682C678	MCR01MZPJ680 68OHM 5% 1/16W 1005 R/TP ROHM	L1215	6210TCE001G	Filter,Bead HH-1M3216-501JT 500OHM
R892	0RJ0682C678	MCR01MZPJ680 68OHM 5% 1/16W 1005 R/TP ROHM	L1216	0LC0233002A	Inductor,Multilayer,Chip FI-B2012-332KJT 3.3UH
R900	0RJ1002D677	MCR03EZPJ103 10KOHM 5% 1/10W 1608 R/TP ROH	L1217	0LC0233002A	Inductor,Multilayer,Chip FI-B2012-332KJT 3.3UH
R901	0RJ1002D477	MCR03EZPF103 10KOHM 1% 1/10W 1608 R/TP ROH	L1218	0LC0233002A	Inductor,Multilayer,Chip FI-B2012-332KJT 3.3UH
R902	0RJ2002D477	MCR03EZPF203 20KOHM 1% 1/10W 1608 R/TP ROH	L1219	0LC0233002A	Inductor,Multilayer,Chip FI-B2012-332KJT 3.3UH
R910	0RJ0000D677	MCR03EZPJ000 0OHM 5% 1/10W 1608 R/TP ROHM	L1220	0LC0233002A	Inductor,Multilayer,Chip FI-B2012-332KJT 3.3UH
R911	0RJ1001D677	MCR03EZPJ102 1KOHM 5% 1/10W 1608 R/TP ROHM	L1221	0LC0233002A	Inductor,Multilayer,Chip FI-B2012-332KJT 3.3UH
R913	0RJ1002D677	MCR03EZPJ103 10KOHM 5% 1/10W 1608 R/TP ROH	L1222	0LC0233002A	Inductor,Multilayer,Chip FI-B2012-332KJT 3.3UH
R915	0RJ1001D677	MCR03EZPJ102 1KOHM 5% 1/10W 1608 R/TP ROHM	L1300	6210TCE001G	Filter,Bead HH-1M3216-501JT 500OHM
R916	0RJ1001D677	MCR03EZPJ102 1KOHM 5% 1/10W 1608 R/TP ROHM	L1301	6210TCE001G	Filter,Bead HH-1M3216-501JT 500OHM
R917	0RJ1002D677	MCR03EZPJ103 10KOHM 5% 1/10W 1608 R/TP ROH	L1302	6210TCE001G	Filter,Bead HH-1M3216-501JT 500OHM
R918	0RJ1002D677	MCR03EZPJ103 10KOHM 5% 1/10W 1608 R/TP ROH	L1303	6210TCE001G	Filter,Bead HH-1M3216-501JT 500OHM
R919	0RJ1002D677	MCR03EZPJ103 10KOHM 5% 1/10W 1608 R/TP ROH	L1304	0LCTO00019A	Inductor,Wire Wound,Chip D75C-646CY-220M=P3 22UH
R920	0RJ3302D677	MCR03EZPJ333 33KOHM 5% 1/10W 1608 R/TP ROH	L1305	0LCTO00019A	Inductor,Wire Wound,Chip D75C-646CY-220M=P3 22UH
R923	0RJ1001D677	MCR03EZPJ102 1KOHM 5% 1/10W 1608 R/TP ROHM	L1306	0LCTO00019A	Inductor,Wire Wound,Chip D75C-646CY-220M=P3 22UH
R924	0RJ1002D677	MCR03EZPJ103 10KOHM 5% 1/10W 1608 R/TP ROH	L1307	0LCTO00019A	Inductor,Wire Wound,Chip D75C-646CY-220M=P3 22UH
R925	0RJ1002D677	MCR03EZPJ103 10KOHM 5% 1/10W 1608 R/TP ROH	L1309	6210TCE001S	Filter,Bead HU-1M2012-121D R/TP
R926	0RJ3302D677	MCR03EZPJ333 33KOHM 5% 1/10W 1608 R/TP ROH	L1310	6210TCE001S	Filter,Bead HU-1M2012-121D R/TP
R927	0RJ4701D677	MCR03EZPJ472 4.7KOHM 5% 1/10W 1608 R/TP RO	L1311	6210TCE001S	Filter,Bead HU-1M2012-121D R/TP
R928	0RJ0000D677	MCR03EZPJ000 0OHM 5% 1/10W 1608 R/TP ROHM	L1312	6210TCE001S	Filter,Bead HU-1M2012-121D R/TP
R930	0RJ1002D677	MCR03EZPJ103 10KOHM 5% 1/10W 1608 R/TP ROH	L1314	6210TCE001G	Filter,Bead HH-1M3216-501JT 500OHM
R932	0RJ1001D677	MCR03EZPJ102 1KOHM 5% 1/10W 1608 R/TP ROHM	L1315	6210TCE001G	Filter,Bead HH-1M3216-501JT 500OHM
R933	0RJ1001D677	MCR03EZPJ102 1KOHM 5% 1/10W 1608 R/TP ROHM	L1401	6210TCE001G	Filter,Bead HH-1M3216-501JT 500OHM
R934	0RJ1002D677	MCR03EZPJ103 10KOHM 5% 1/10W 1608 R/TP ROH	L1403	6210TCE001G	Filter,Bead HH-1M3216-501JT 500OHM
			L1404	EAM37276902	Filter,LCR LCF20P101-TM LPF(EMI)
			L1405	EAM37574201	Filter,LCR LC-2012-250JT LPF(EMI) 25MHZ
			L1406	EAM37574201	Filter,LCR LC-2012-250JT LPF(EMI) 25MHZ
			L1407	EAM37574201	Filter,LCR LC-2012-250JT LPF(EMI) 25MHZ
			L1408	EAM37276902	Filter,LCR LCF20P101-TM LPF(EMI)
			L1409	EAM37276902	Filter,LCR LCF20P101-TM LPF(EMI)
			L1410	EAM37574201	Filter,LCR LC-2012-250JT LPF(EMI) 25MHZ
<b>COILS &amp; FILTERS &amp; INDUCTORS</b>					
L100	0LC1032101A	Inductor,Multilayer,Chip FI-C3216-103KJT 10UH			
L100	6210TCE001G	Filter,Bead HH-1M3216-501JT 500OHM			
L101	6210TCE001G	Filter,Bead HH-1M3216-501JT 500OHM			
L102	6210TCE001G	Filter,Bead HH-1M3216-501JT 500OHM			

LOC. NO.	PART NO.	DESCRIPTION / SPECIFICATION
L1412	6210TCE001E	Filter,Bead HB-1M2012-800JT(H:1mm) 80OHM
L1413	6210TCE001E	Filter,Bead HB-1M2012-800JT(H:1mm) 80OHM
L400	6210TCE001G	Filter,Bead HH-1M3216-501JT 500OHM
L600	0LCTA00003A	Inductor,Wire Wound,Chip LEMC3225T6R8M 6.8UH
L601	0LCTA00003A	Inductor,Wire Wound,Chip LEMC3225T6R8M 6.8UH
L604	0LC0233002A	Inductor,Multilayer,Chip FI-B2012-332KJT 3.3UH
L605	0LCTA00003A	Inductor,Wire Wound,Chip LEMC3225T6R8M 6.8UH
L606	6210TCE001G	Filter,Bead HH-1M3216-501JT 500OHM
L607	6210TCE001G	Filter,Bead HH-1M3216-501JT 500OHM
L700	6210TCE001G	Filter,Bead HH-1M3216-501JT 500OHM
L701	6210TCE001G	Filter,Bead HH-1M3216-501JT 500OHM
L703	6210TCE001G	Filter,Bead HH-1M3216-501JT 500OHM
L704	6210TCE001G	Filter,Bead HH-1M3216-501JT 500OHM
L705	6210TCE001G	Filter,Bead HH-1M3216-501JT 500OHM
L706	6210TCE001G	Filter,Bead HH-1M3216-501JT 500OHM
L707	6210TCE001G	Filter,Bead HH-1M3216-501JT 500OHM
L800	6210TCE001G	Filter,Bead HH-1M3216-501JT 500OHM
L801	6210TCE001G	Filter,Bead HH-1M3216-501JT 500OHM
L900	6210TCE001X	Filter,Bead HU-1H4532-121JT 120OHM
L901	EAM37574201	Filter,LCR LC-2012-250JT LPF(EMI) 25MHZ
L902	EAM37574201	Filter,LCR LC-2012-250JT LPF(EMI) 25MHZ
L903	EAM37574201	Filter,LCR LC-2012-250JT LPF(EMI) 25MHZ
L904	EAM37574201	Filter,LCR LC-2012-250JT LPF(EMI) 25MHZ
L905	EAM37574201	Filter,LCR LC-2012-250JT LPF(EMI) 25MHZ
L906	EAM37574201	Filter,LCR LC-2012-250JT LPF(EMI) 25MHZ
L907	6210TCE001G	Filter,Bead HH-1M3216-501JT 500OHM
L908	EAM37574201	Filter,LCR LC-2012-250JT LPF(EMI) 25MHZ
L909	6210TCE001G	Filter,Bead HH-1M3216-501JT 500OHM
L911	6210TCE001X	Filter,Bead HU-1H4532-121JT 120OHM
L912	6210TCE001X	Filter,Bead HU-1H4532-121JT 120OHM
L913	6210TCE001G	Filter,Bead HH-1M3216-501JT 500OHM
L918	6210TCE001X	Filter,Bead HU-1H4532-121JT 120OHM
L919	6210TCE001X	Filter,Bead HU-1H4532-121JT 120OHM
L923	6210TCE001G	Filter,Bead HH-1M3216-501JT 500OHM
L925	6210TCE001G	Filter,Bead HH-1M3216-501JT 500OHM
6210VH0001A	Filter,Ferrite Core	6210VH0001A 50OHM 25MM 9MM

**CONNECTORS**

J1100	6630G70016A	A03-7071-094 D-SUB 15P 2.29MM STRAIGHT FEMA
J1102	6630G70017A	A02-0915-101 D-SUB 9P 2.77MM STRAIGHT MALE
P100	6602T12005G	12505WR-08A00 8P 1.25MM 1R ANGLE SMD TP NAT
P100	6602T20009C	SMAW200-04P 4P 2.00MM 1R ANGLE DIP ST NATUR
P101	6602T20009C	SMAW200-04P 4P 2.00MM 1R ANGLE DIP ST NATUR
P101	6602T20009N	SMAW200-14P 14P 2.00MM 1R ANGLE DIP ST NATU
P1103	6602T12005G	12505WR-08A00 8P 1.25MM 1R ANGLE SMD TP NAT
P1300	6602T25008B	SMW250-03P 3P 2.50MM 1R STRAIGHT DIP ST NAT
P1301	6602T25008C	SMW250-04P 4P 2.50MM 1R STRAIGHT DIP ST NAT
P1400	6602T20008N	SMW200-14P 14P 2.00MM 1R STRAIGHT DIP ST NA
P800	6630V90116A	FI-X30SSL-HF 30P 1.00MM 1R ANGLE SMD TP WHI
P900	6602T25008M	SMW250-13P 13P 2.50MM 1R STRAIGHT DIP ST NA
P901	6602T25008J	SMW250-10P 10P 2.50MM 1R ANGLE DIP BK BLACK
	6630V90142A	TPH254-R-1419-6A 6P 2.54MM 2R ANGLE DIP BK
	6631900012C	SMH250 SMH250 200mM 2.50MM 10P UL1007 AWG24
	6631900018K	3P(2.5MM) SMH250 TERMINAL 600mM 2.50MM 3P U

LOC. NO.	PART NO.	DESCRIPTION / SPECIFICATION
	6631900019R	4p spk(right) SMH250 TERMINAL(35097-9802) 1
	6631900027C	SMH250 SMH250 200mM 2.50MM 13P UL1007 AWG24
	6631T20033E	SMH200-14P SMH200-14P 340mM 2.00MM 14P UL11
	EAD35683002	LVDS LPL STANDARD FI-X30HL(JAE) FI-X30HL(JA
	EAD35907801	BDMR-02VS-2 35001HS-02L 250MM 3.50MM 2P UL3
	EAD35907901	BDMR-02VS-2 35001HS-02L 850MM 3.50MM 2P UL3
	EAD35982701	SMH200-4P SMH200-4P 200MM 2.00MM 4P UL1185
	EAD35982901	12507HS-04L SMH200 350MM 1.25/2.0MM 4P UL10
	EAD35983201	12505HS 12505HS 600MM 1.25MM 8P UL1061 AWG2
	EAD36265201	12505HS 12505HP 70MM 1.25MM 8P UL1061 AWG28

**JACKS**

J100	6612J10033A	PMJ016-13 13P DIN/RCA 14MM ANGLE DIP TR DIN
J1000	6612B00015B	DC1R019WDH SOCKET 21P STRAIGHT SMD R/TP
J1001	6612B00015B	DC1R019WDH SOCKET 21P STRAIGHT SMD R/TP
J1101	6612F00099A	PEJ024-01 1P 4P STRAIGHT TR 3.6MM BLACK DIP
J1200	6612M00010A	PSC003-01 21P 21P/1C 3.81MM STRAIGHT DIP TR
J1201	6612M00010A	PSC003-01 21P 21P/1C 3.81MM STRAIGHT DIP TR
J1203	6612J10031B	PPJ209-01 14.0MM 1RX3C ANGLE BK SCREW HOLE
J600	6612J10023A	KCN-BT-0-0053 10.5MM/11.5MM 1RX1C STRAIGHT
	6612BBBHN4D	TOTX177 3P TX 2.54MM ANGLE 15MBPS DIP ST CU

**SWITCHEs**

SW100	EBF32593901	TMUE312GAB 1C1P 12VDC 0.5A VERTICAL 160GF R
SW101	140-313B	KPT-1115AM 1C1P 12VDC 0.05A HORIZONTAL 160G
SW102	140-313B	KPT-1115AM 1C1P 12VDC 0.05A HORIZONTAL 160G
SW103	140-313B	KPT-1115AM 1C1P 12VDC 0.05A HORIZONTAL 160G
SW104	140-313B	KPT-1115AM 1C1P 12VDC 0.05A HORIZONTAL 160G
SW105	140-313B	KPT-1115AM 1C1P 12VDC 0.05A HORIZONTAL 160G
SW106	140-313B	KPT-1115AM 1C1P 12VDC 0.05A HORIZONTAL 160G
SW107	140-313B	KPT-1115AM 1C1P 12VDC 0.05A HORIZONTAL 160G
SW108	140-313B	KPT-1115AM 1C1P 12VDC 0.05A HORIZONTAL 160G
SW700	EBF32593901	TMUE312GAB 1C1P 12VDC 0.5A VERTICAL 160GF R

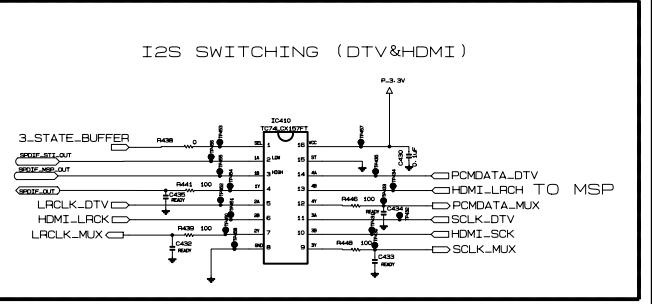
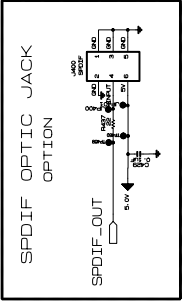
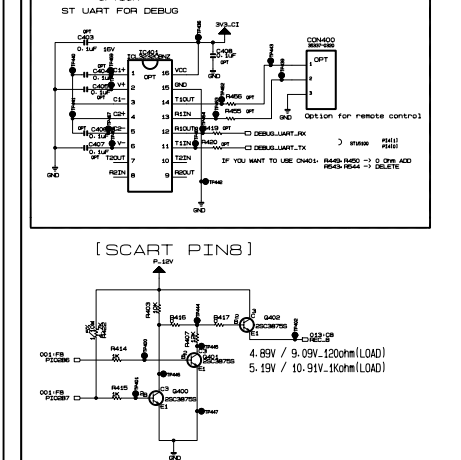
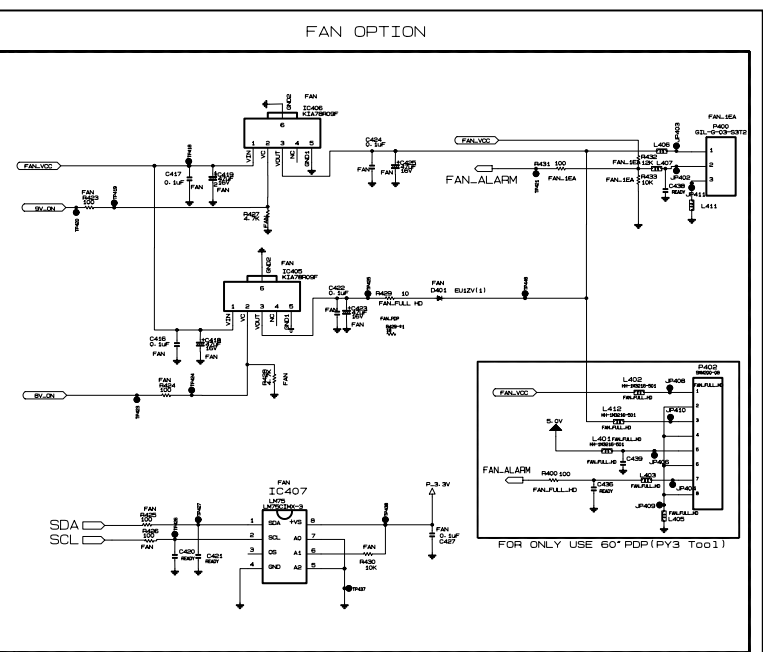
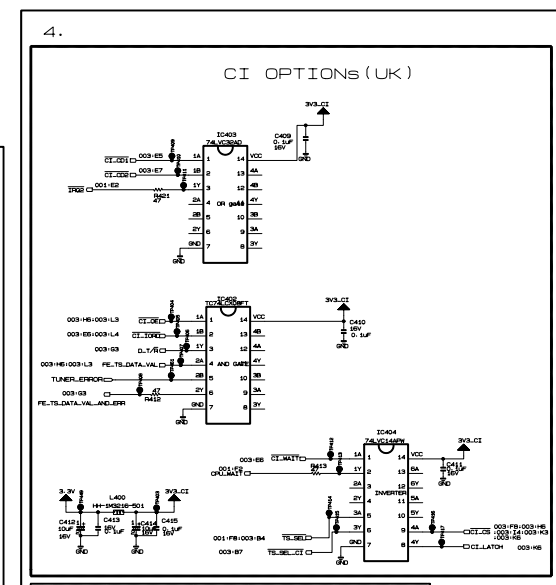
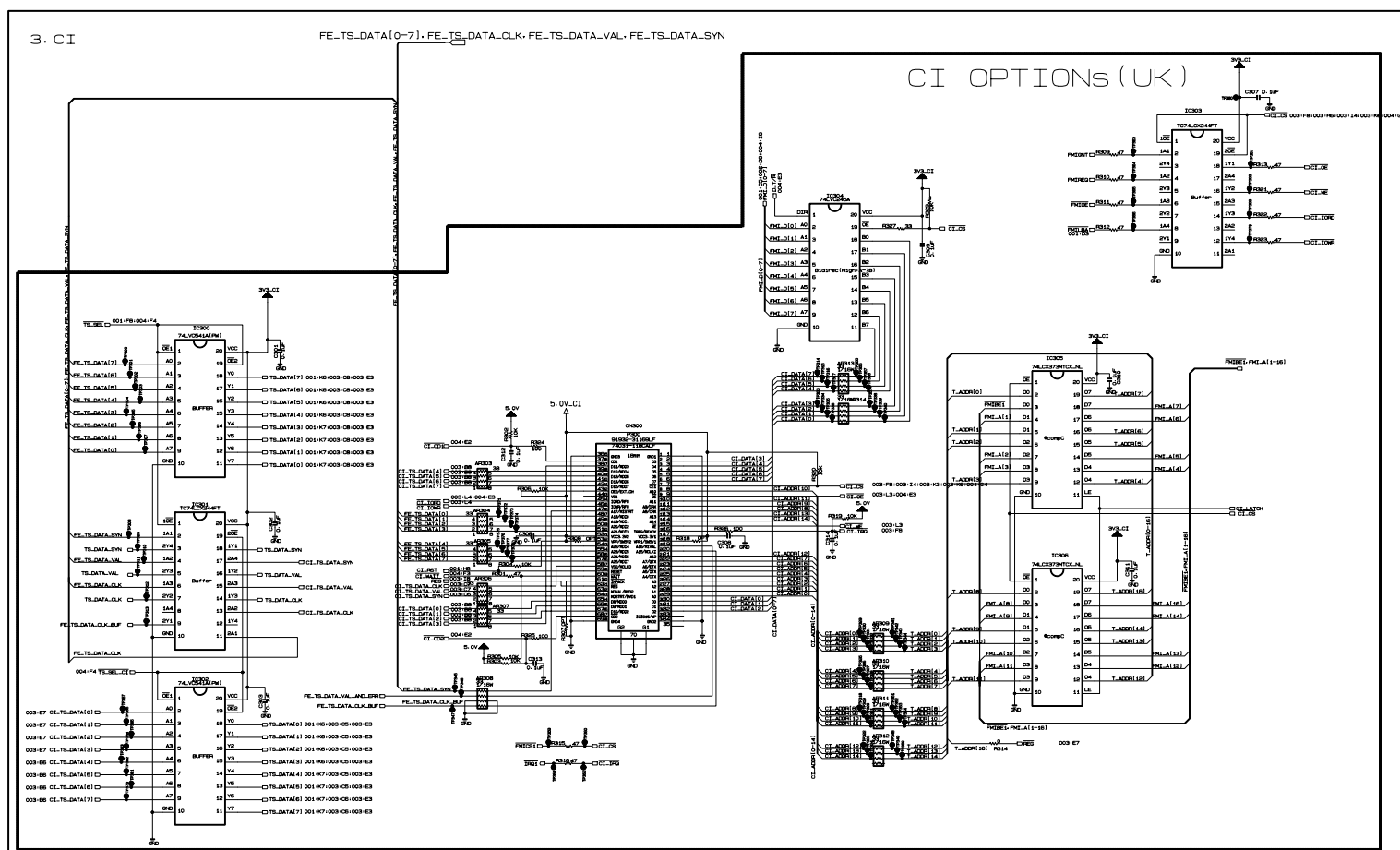
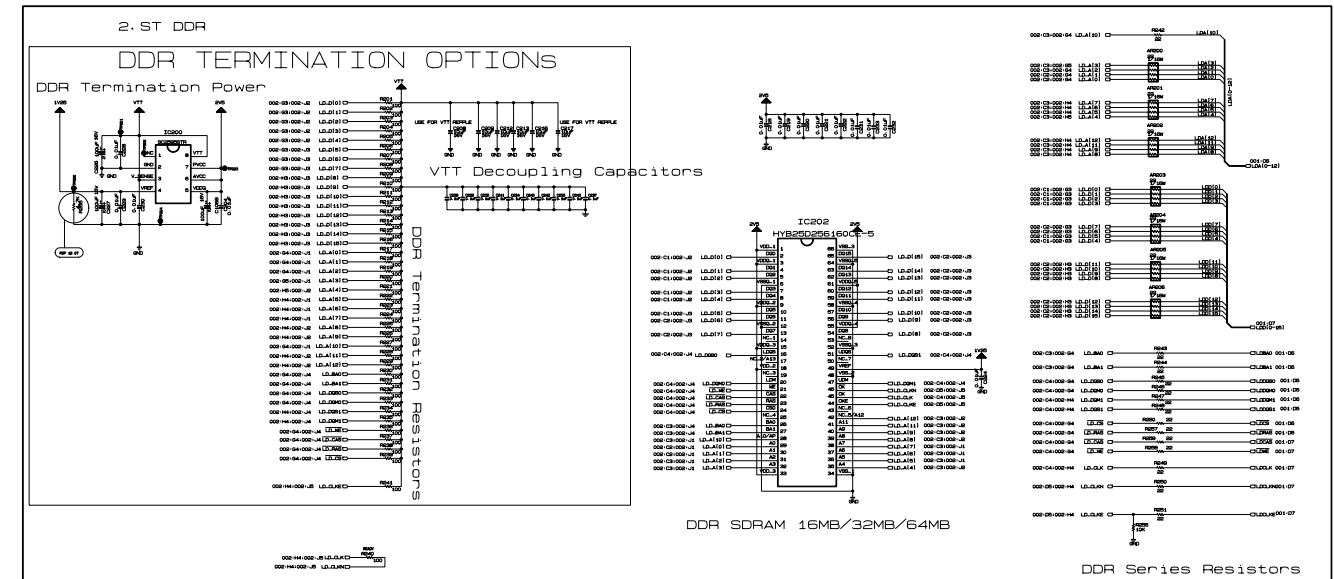
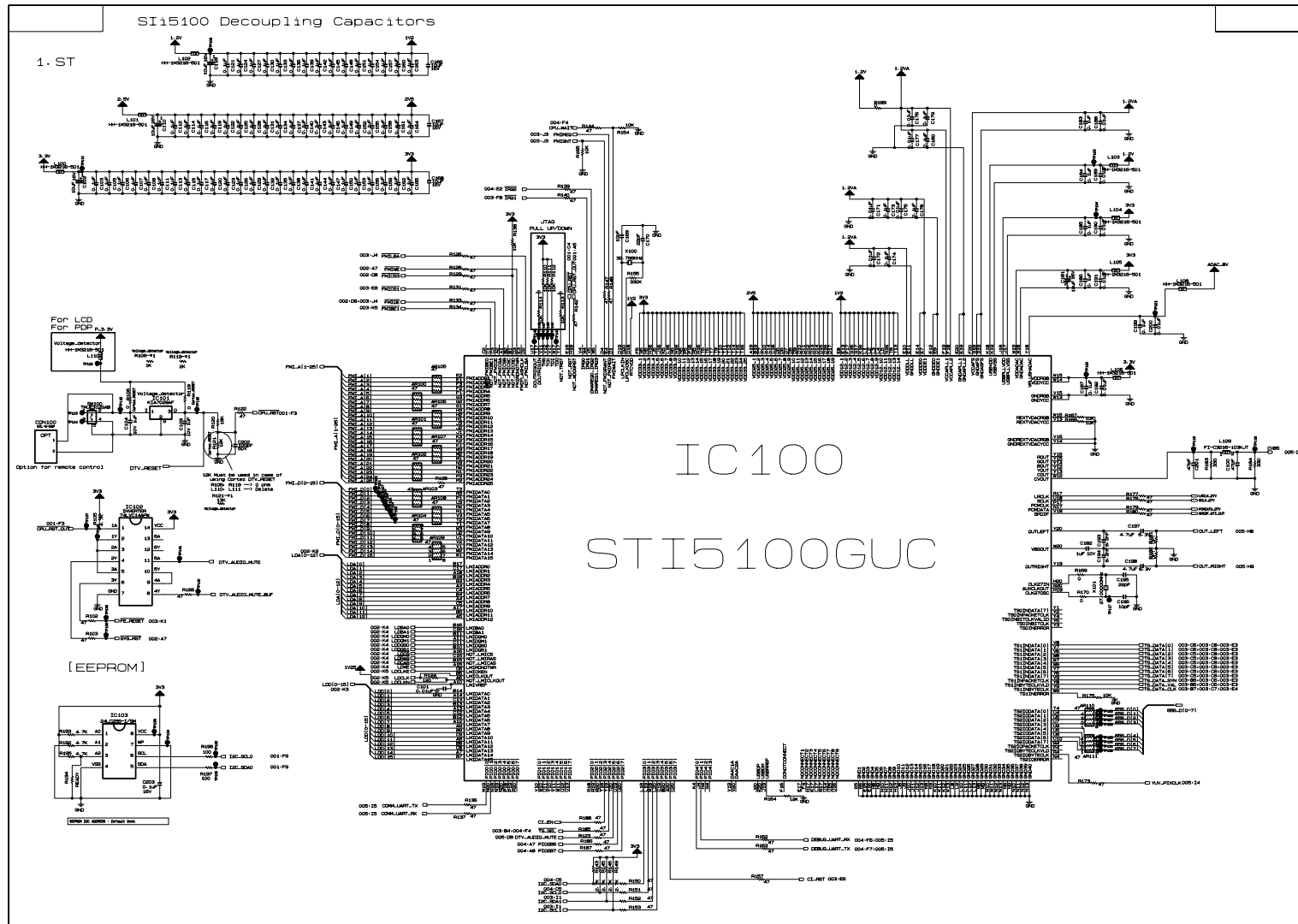
**OTHERs**

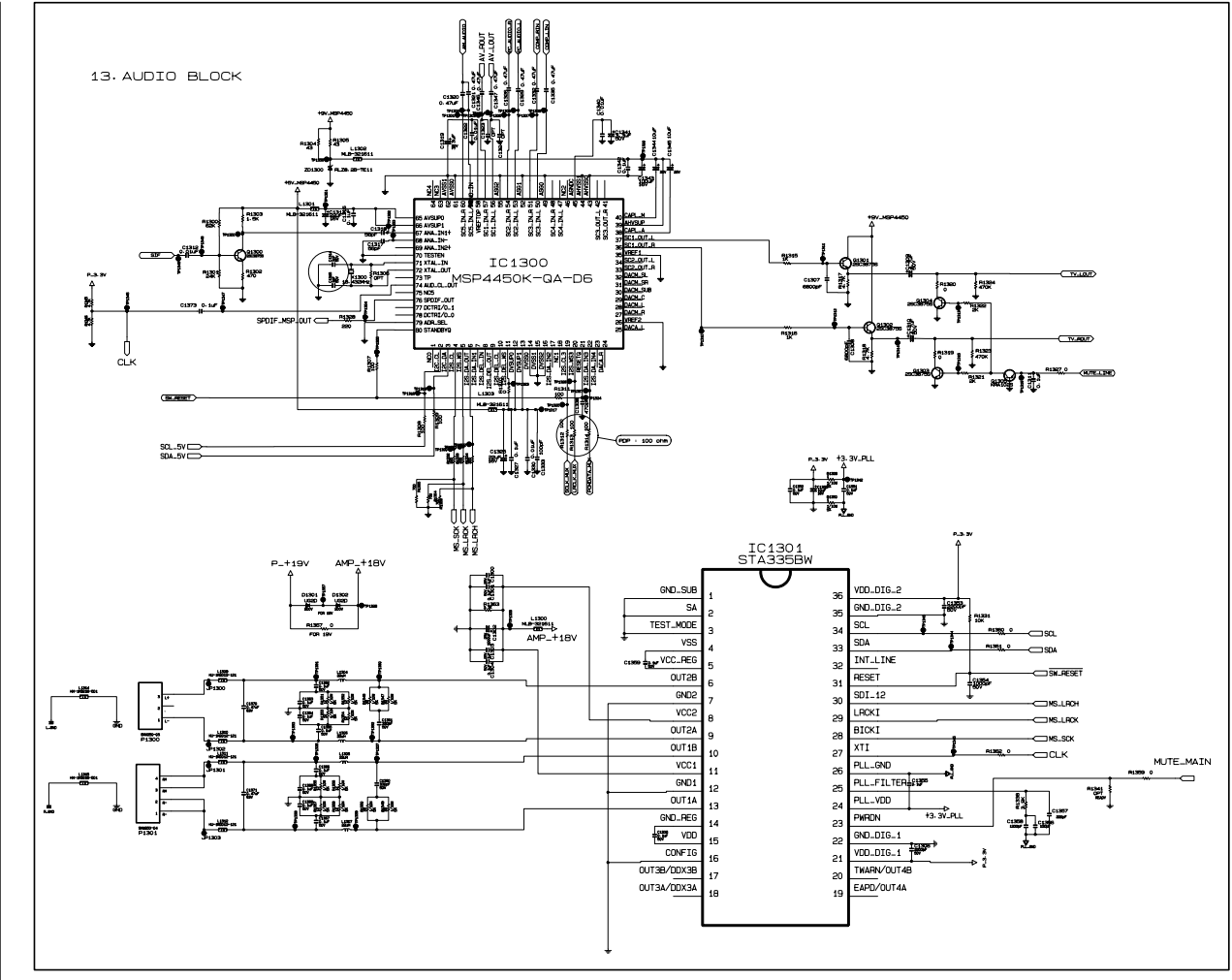
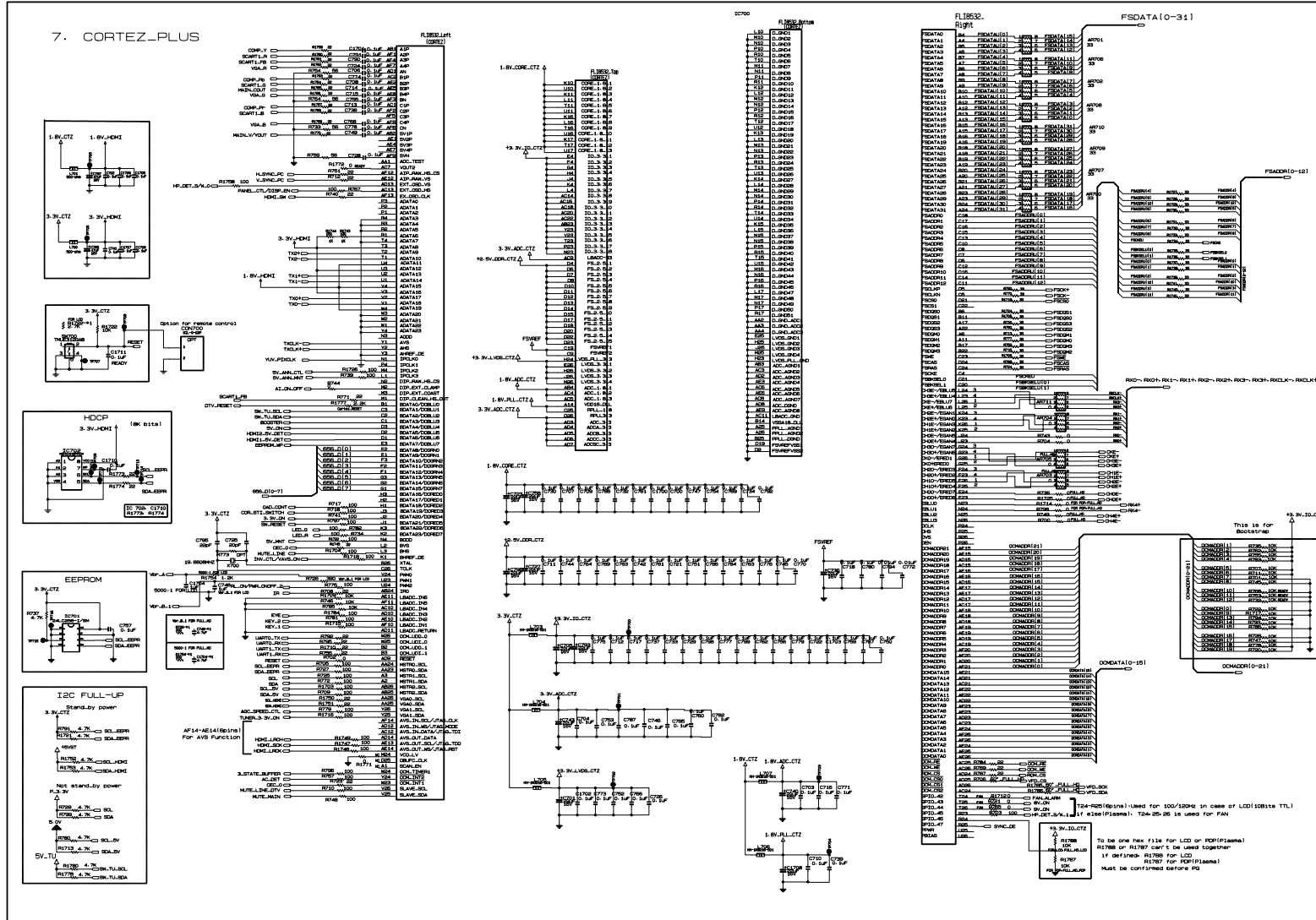
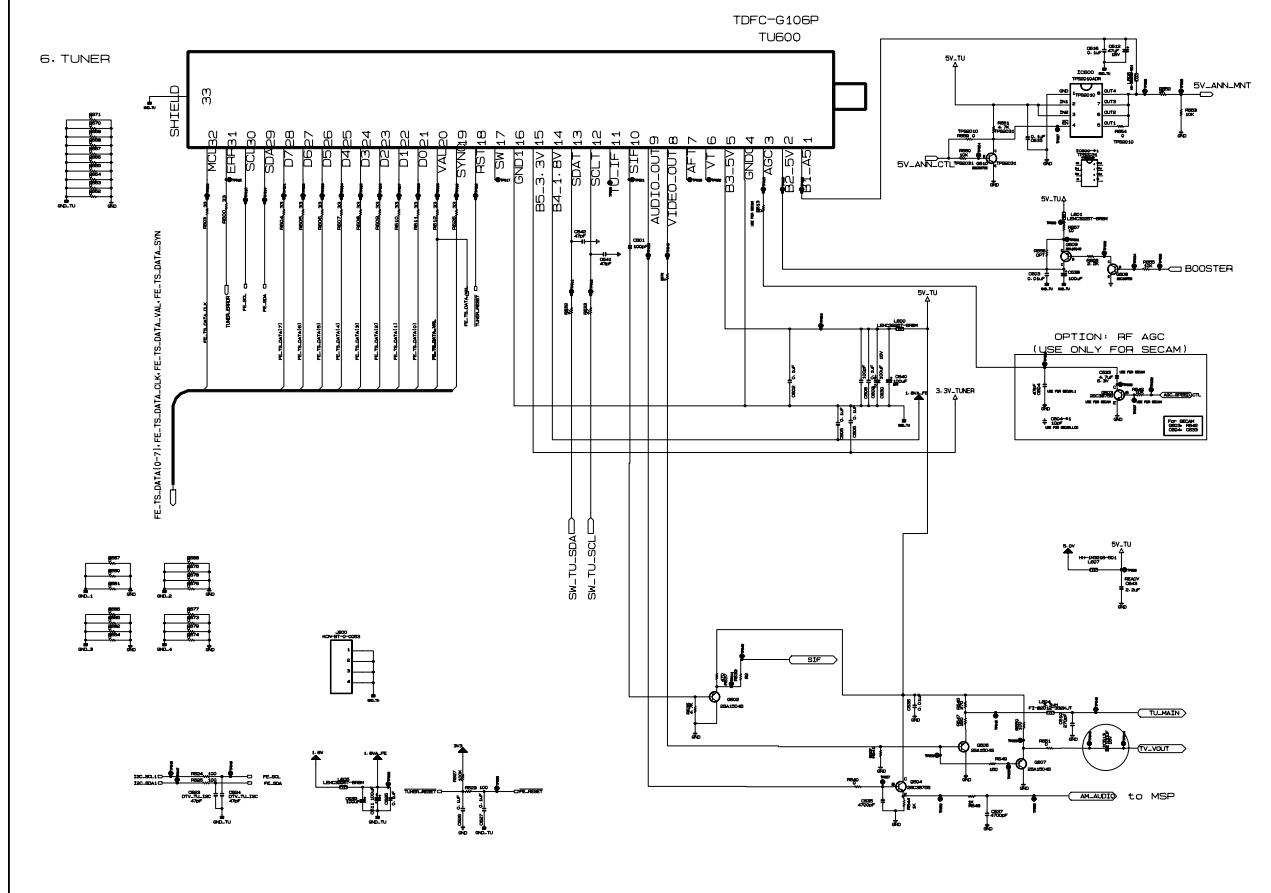
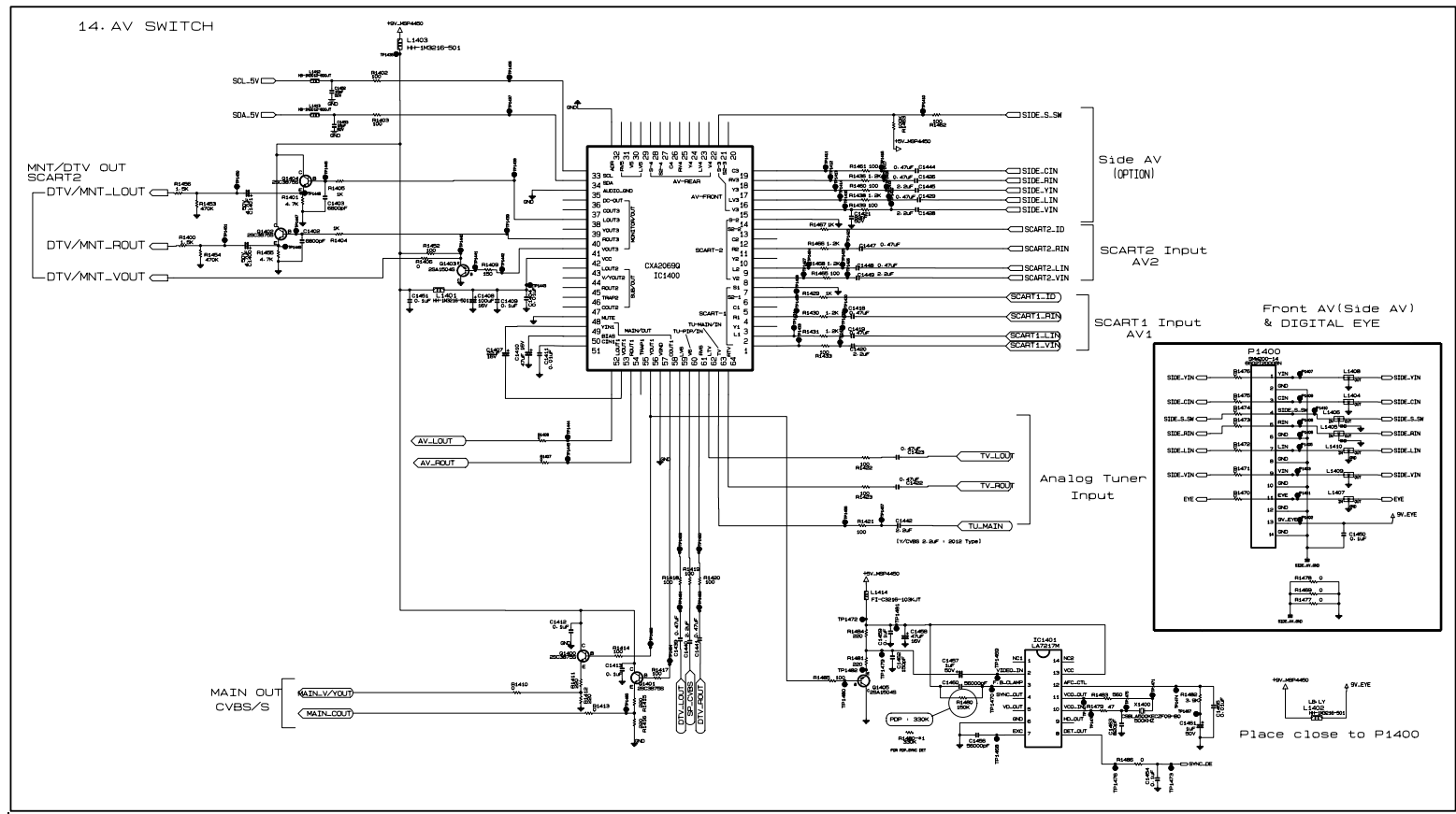
D100	0DLLT0110AA	LED,DIP LTL-1BEHJ-1 ROUND 3MM
IC100	6712000013A	Receiver Module TSOP4438SO1 4.5TO5.5V 1.5MA
IC201	SAA30310938	S/W,Firmware 3.09 CE65 EUROPE FLASHROM
IC802	SAA30310822	S/W,Firmware 3.16 49B1 EUROPE FLASHROM
TU600	EBL32961502	Tuner,Digital TDFC-G106P DVB-T/PAL
X100	6212AC2002B	Crystal 9H03200164 32.768KHZ 20PPM
X101	6212AB2883A	Crystal HC-49SM 27.00000MHZ 27MHZ
X1300	156-A02R	Crystal EUA18.4320F16E33L 18.432MHZ
X700	6212AB2015J	Crystal HC-49SM 19.66080HZ 19.6608HZ

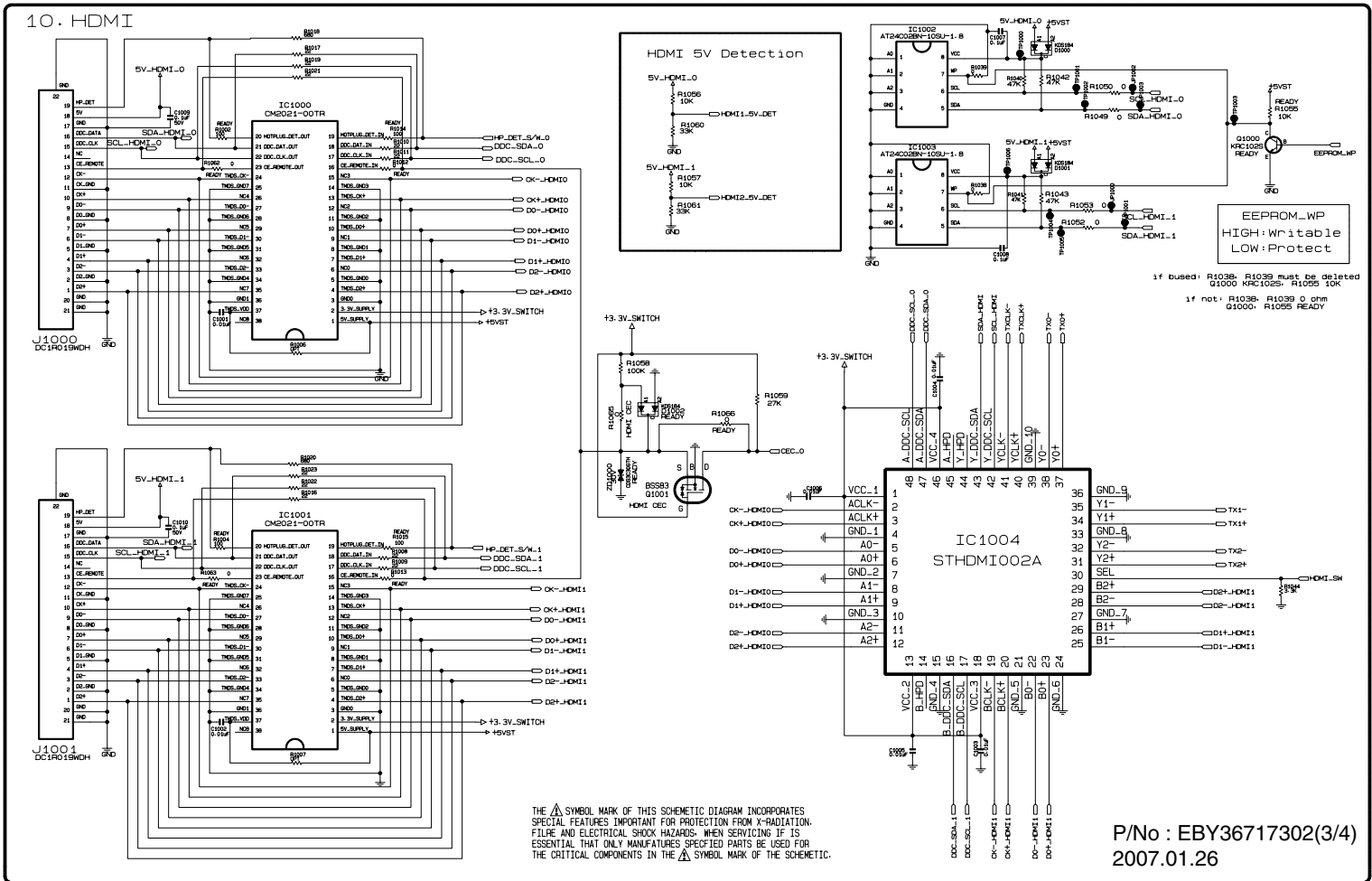
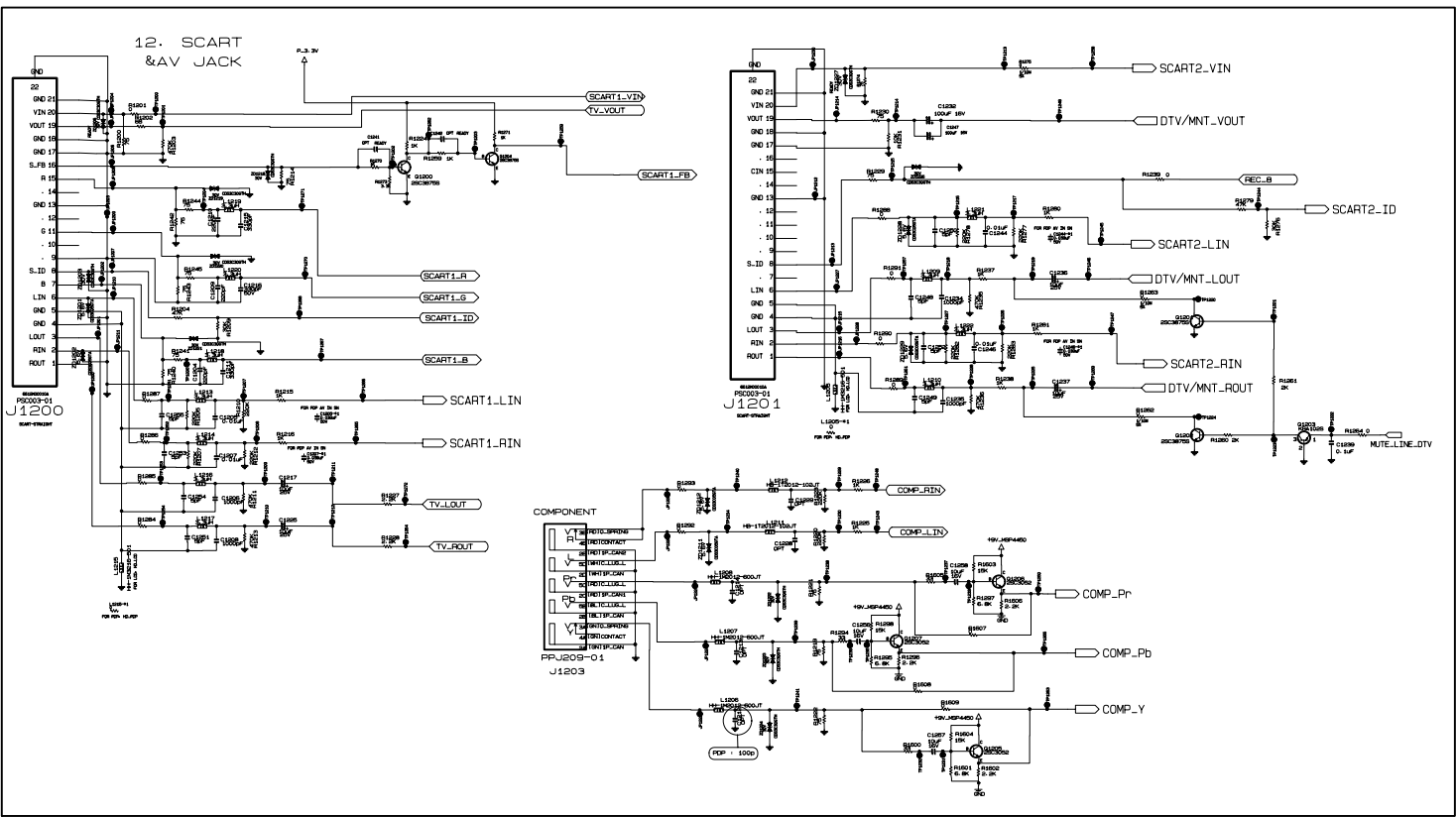
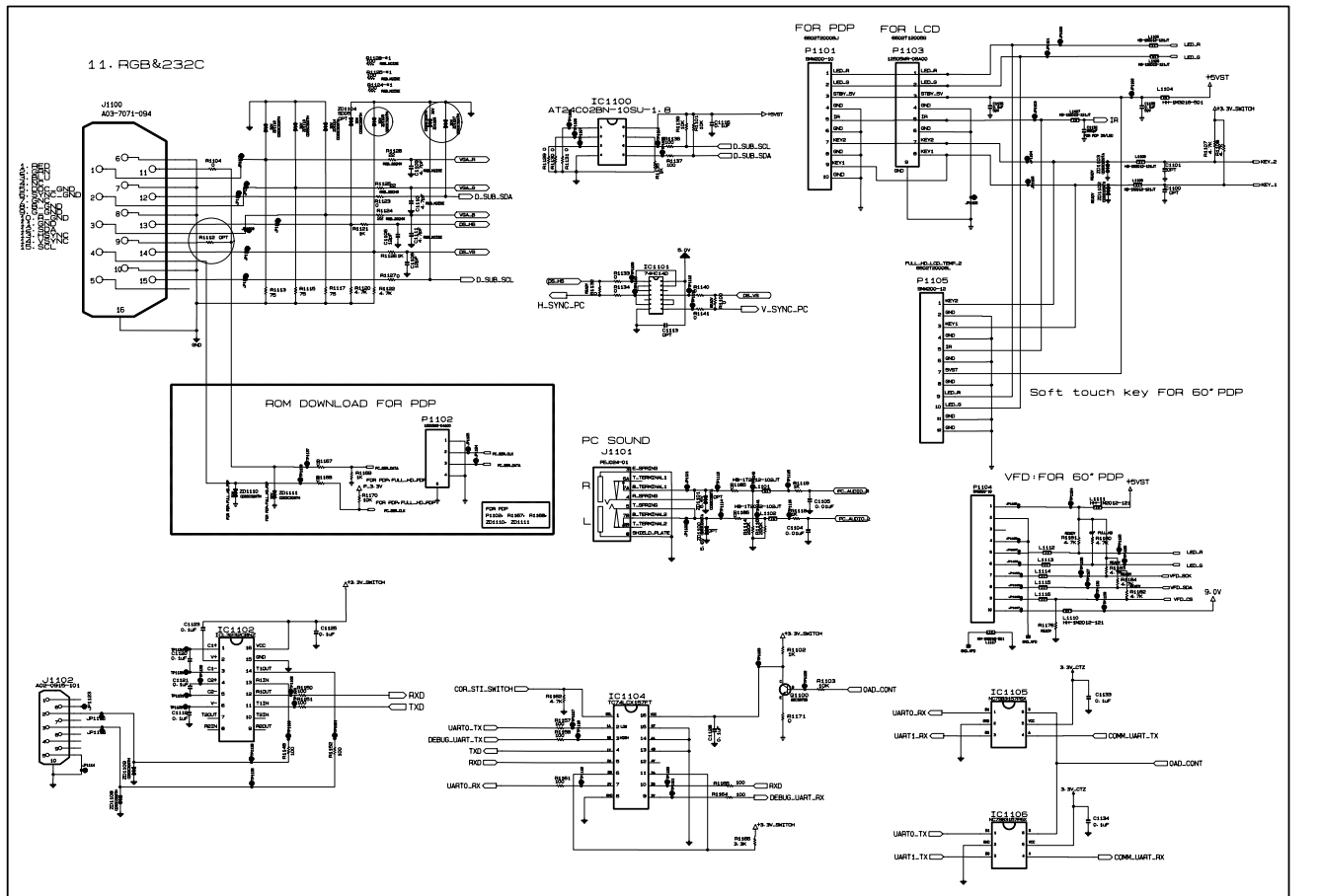
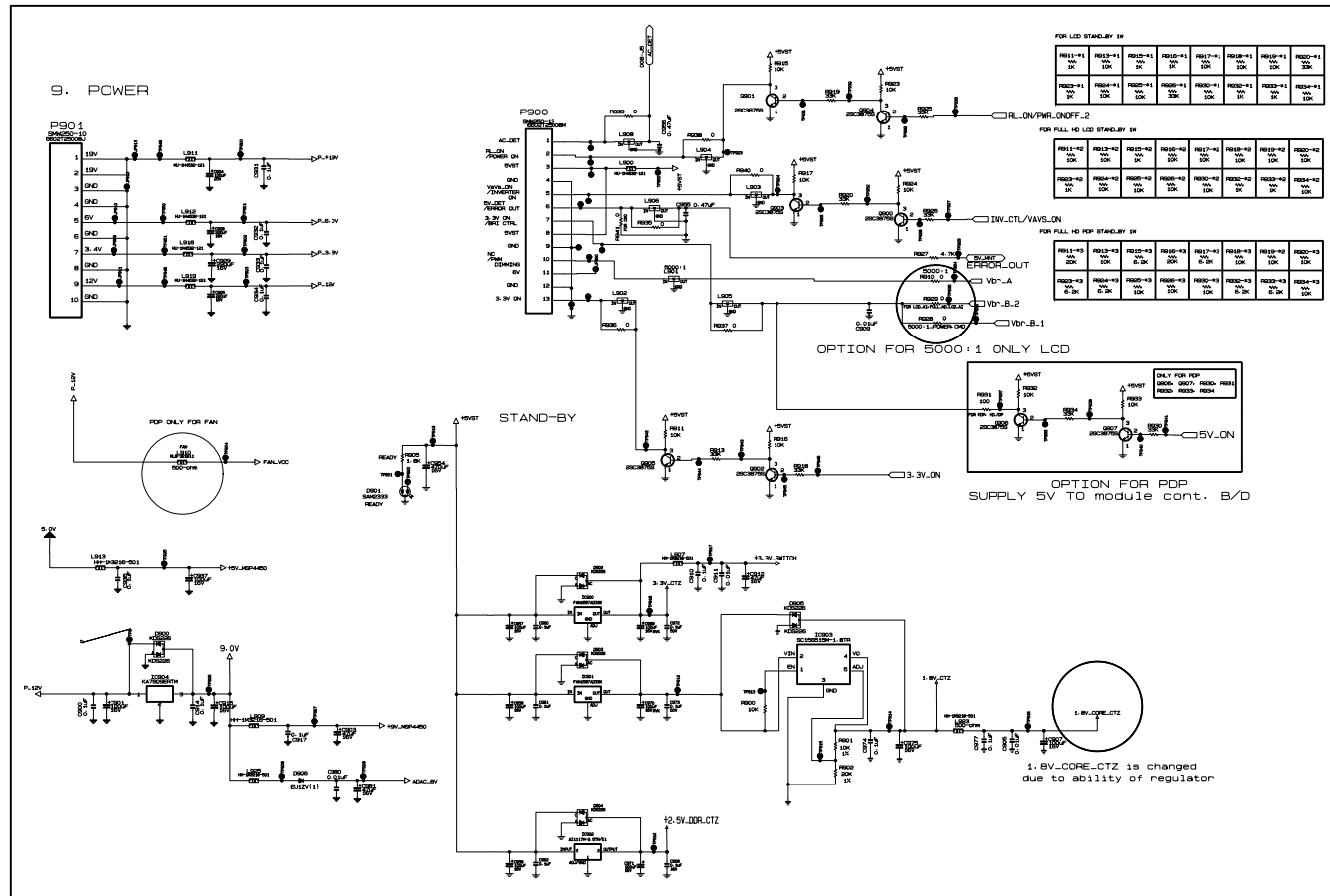
**ACCESSORY**

A1	MFL34441603	Manual,Owners PRINTING USER LD61C LG
A2	MKJ32022813	Remote Controller COMPLEX LD73A 26LC4
A3	EAD36223101	Power Cord LP34A+LS60L LP-34A LS-60L
A4	SAC30033609	Title 26LC45-ZA/42PC55-ZB CD MANUA
A5	MCK32795001	Cover MOLD ABS 380 32LC4 ABS
A6	49519K0002A	Plate Assembly SUPPORTER UPPER 26INCH









THE  $\Delta$  SYMBOL MARK OF THIS SCHEMATIC DIAGRAM INCORPORATES SPECIAL FEATURES IMPORTANT FOR PROTECTION FROM X-RADIATION. PLEASE READ THE INSTRUCTIONS AND ELECTRICAL SHOCK HAZARDS WHEN SERVICING. IT IS ESSENTIAL THAT ONLY MANUFACTURERS SPECIFIED PARTS BE USED FOR THE CRITICAL COMPONENTS IN THE  $\Delta$  SYMBOL MARK OF THE SCHEMATIC.



P/NO : MFL36695308

Mar., 2007  
Printed in Korea

