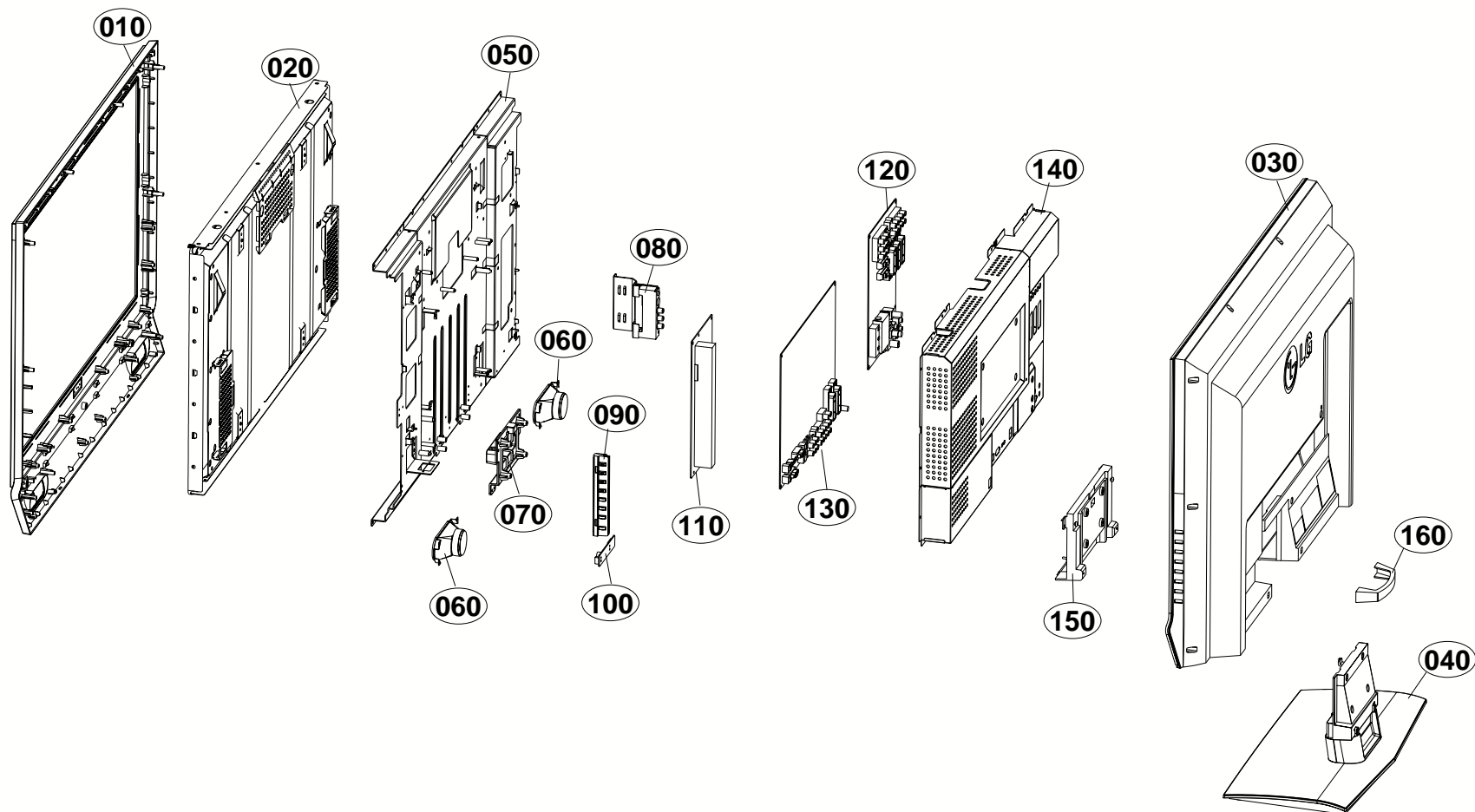








EXPLODED VIEW(32LC2D)

- 33 -

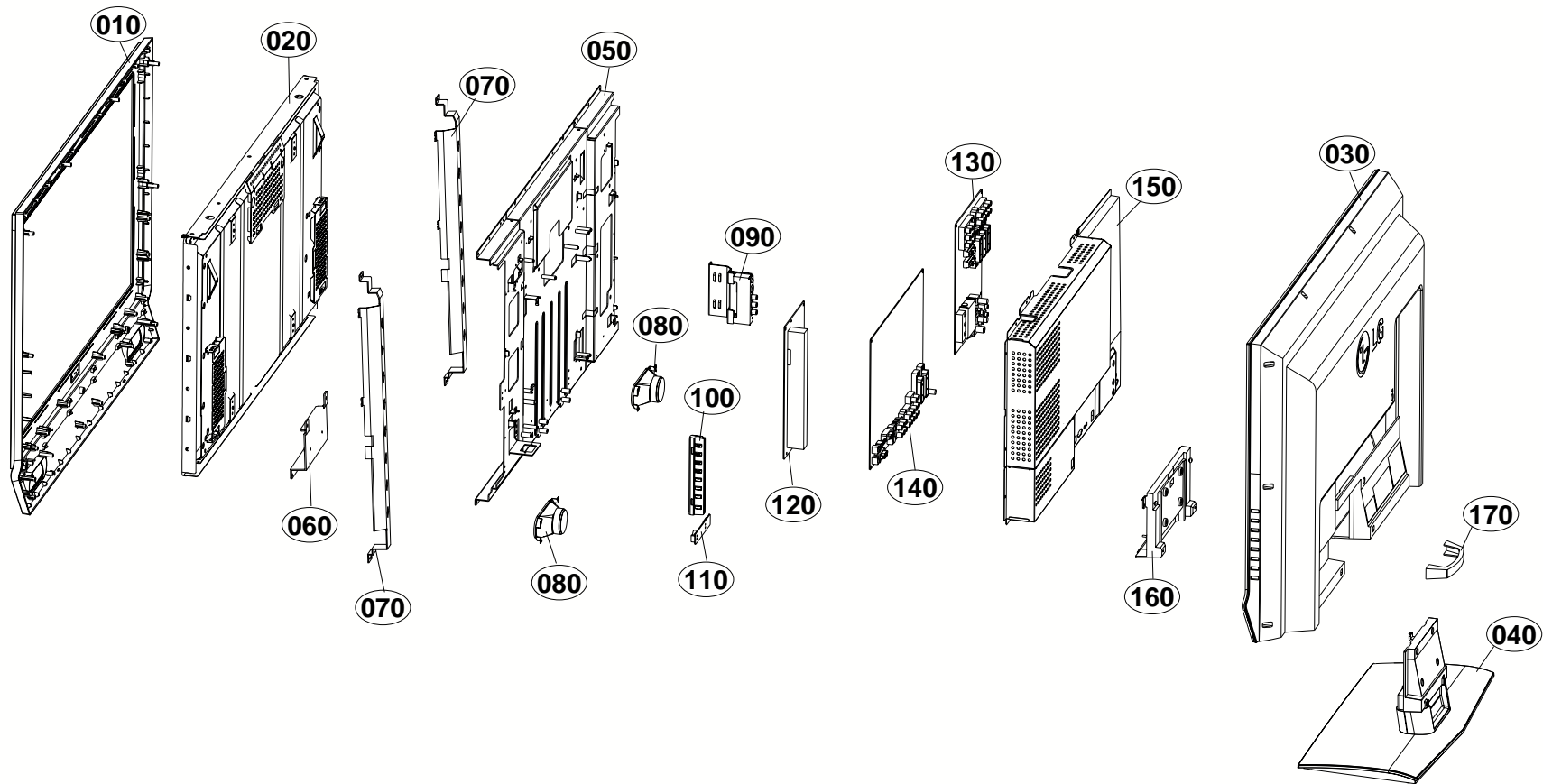


EXPLODED VIEW PARTS LIST(32LC2D)

No.	PART NO.	DESCRIPTION
010	 ACQ30347105	Cover Assembly, 32LC2D-FC LB61A 32" 51SF, BK 1TONE(197), LGEMA PHANTOM
020	 6304FLP359A	LCD,Panel-TFT, LC320W01-SL11 32INCH 1366X768 500CD COLOR 72% -
	or EAJ30768801	LCD Module, LC320W01-SL14 WXGA 32.0INCH 1366X768 500CD COLOR 72% 16/9 800 NEC Lamp
030	 3809900159V	Cover Assembly, 32LC2DB LB61 32" FOR FR, LGEMA Phantom
040	 3043900026K	Base Assembly, STAND [32LC2R-ZJ] LP61C BK (LGEMA Phantom)
050	49519S0031H	Plate Assembly, FRAME IDTV 32LC2D-EC LPL C/SKD
060	6400GESF01A	Speaker,Fullrange, C112K01K1450 FERRITE 15W 8OHM 93DB 170HZ 116X42X38.5mM LUG
070	49509K0195B	Plate, FRAME SUPPORT 32LC2 C/SKD
080	68719ST095A	PCB Assembly,Sub, SUB T.T LD61A 32LC2D-FC ALFRLX SIDE A/V TOTAL
090	68719ST898B	PCB Assembly,Sub, SUB T.T LD61A 32LC2D-EC ALUKLFX CONTROL KEY
100	68719ST094A	PCB Assembly,Sub, SUB T.T LD61A 32LC2D-FC ALFRLX IR/LED TOTAL
110	 6709900016C	SMPS,AC/DC, LGLP2637HEP 90.0VTO264.0V 215W 47TO63HZ UL/CSA/SEMKO YY / AT / H&E
	or 6709900016A	Power Supply Assembly, FREE H3/E2 LCD MODEL LCD LG ELECTRONICS LB LC
120	68719ST100A	PCB Assembly,Sub, SUB T.T LD61A 32LC2D-EC ALUKLFX JACK BOARD
130	 33139D3065A	Main Total Assembly, 32LC2D-FC BRAND LD61C
140	49519K0139J	Plate Assembly, SHIELD 32LC2D-FC C/SKD
150	35509K0199C	Cover, MOLD ABS 380 32LC2R/RA/RB ABS, HF-380 LGEMA Phantom
160	35509K0197A	Cover, MOLD HIPS 32LC2 CABLE MANAGEMENT

EXPLODED VIEW(37LC2D)

- 35 -



EXPLODED VIEW PARTS LIST(37LC2D)

No.	PART NO.	DESCRIPTION
010	ACQ30192607	Cover Assembly, 37LC2D-FC LP62A 37" LGEMA PAHNTOM CABINET ASSY
020	6304FLP360A	LCD,Panel-TFT, LC370WX1-SL11 37INCH 1365X768 500CD COLOR 72% -
	or 6304FLP367A	LCD,Panel-TFT, LC370WX1-SL13 37INCH 1365X768 500CD COLOR 72% -
030	3809900164L	Cover Assembly, 37LC2D-FC LP62A 37" LGEMA PHANTOM BACK COVER ASSY
040	3043900032M	Base Assembly, STAND 37LC2R-ZH LP62A LGEMA PHANTOM ASSY
050	4950TKA361K	Plate, FRAME MAIN 37LC2D(C/SKD)
060	49509K0222A	Plate, PRESS SBHG T2.0 SUPPORT STAND 37LC2
070	49509K0024F	Plate, PRESS SBHG T1.6 SIDE SUPPORTER LEFT FOR 37LC2(C/SKD)
071	49509K0023D	Plate, SIDE, SUPPORTER RIGHT FOR 37LC2(C/SKD)
080	6400WMCX03A	Speaker,Woofer, G1560102 ND35 15W 8OHM 82DB 100HZ 193X57mM LUG
090	68719ST102A	PCB Assembly,Sub, SUB T.T LD61A 37LC2D-FC ALFRLX SIDE A/V TOTAL
100	68719ST098A	PCB Assembly,Sub, SUB T.T LD61A 37LC2D-FC ALFRLX CONTROL TOTAL
110	68719ST099A	PCB Assembly,Sub, SUB T.T LD61A 37LC2D-FC ALFRLX IR/LED TOTAL
120	6709900016D	SMPS,AC/DC, LGLP2637HEP 90.0VTO264.0V 215W 47TO63HZ UL/CSA/SEMKO YY / AT / HE
	or 6709900016B	Power Supply Assembly, FREE H3/E2 LCD MODEL LCD LG ELECTRONICS LB LC 37INCH
130	68719ST100A	PCB Assembly,Sub, SUB T.T LD61A 32LC2D-EC ALUKLFX JACK BOARD
140	33139D3066A	Main Total Assembly, 37LC2D-FC BRAND LD61A
150	4950TKA363M	Plate, REAR SHILED DIGITAL AV 37LC2D-FC(C/SKD)
160	35509K0217B	Cover, MOLD HIPS 37LC2R-ZH HIPS 405AF LGEMA PHANTOM
170	35509K0197A	Cover, MOLD HIPS 32LC2 CABLE MANAGEMENT

REPLACEMENT PARTS LIST

For Capacitor & Resistors, the characters at 2nd and 3rd digit in the P/No. means as follows;	CC, CX, CK, CN, CH : Ceramic CQ : Polyester CE : Electrolytic CF : Fixed Film	RD : Carbon Film RS : Metal Oxide Film RN : Metal Film RH : CHIP, Metal Glazed(Chip) RR : Drawing
---	--	---

DATE: 2006. 05. 01.			
*S	*AL	LOC. NO.	PART NO. DESCRIPTION / SPECIFICATION
MAIN BOARD			
CAPACITOR			
		C100	0CE106WFKDC MVK4.0TP16VC10M 10uF 20% 16
		C1000	0CE477WF6DC MVK10TP16VC470M 470uF 20% 1
		C1005	0CE477WF6DC MVK10TP16VC470M 470uF 20% 1
		C1007	0CE107WF6DC MVK6.3TP16VC100M 100uF 20%
		C1009	0CE107WF6DC MVK6.3TP16VC100M 100uF 20%
		C1015	0CE107WF6DC MVK6.3TP16VC100M 100uF 20%
		C1019	0CE476WF6DC MVK6.3TP16VC47M 47uF 20% 16
		C1030	0CE476WF6DC MVK6.3TP16VC47M 47uF 20% 16
		C1043	0CE476WF6DC MVK6.3TP16VC47M 47uF 20% 16
		C1046	0CE477WF6DC MVK10TP16VC470M 470uF 20% 1
		C1047	0CE476WF6DC MVK6.3TP16VC47M 47uF 20% 16
		C1050	0CE477WF6DC MVK10TP16VC470M 470uF 20% 1
		C1051	0CE477WF6DC MVK10TP16VC470M 470uF 20% 1
		C1064	0CE476WF6DC MVK6.3TP16VC47M 47uF 20% 16
		C1065	0CE476WF6DC MVK6.3TP16VC47M 47uF 20% 16
		C1066	0CE476WF6DC MVK6.3TP16VC47M 47uF 20% 16
		C1067	0CE476WF6DC MVK6.3TP16VC47M 47uF 20% 16
		C1068	0CE476WF6DC MVK6.3TP16VC47M 47uF 20% 16
		C1069	0CE476WF6DC MVK6.3TP16VC47M 47uF 20% 16
		C1071	0CE477WF6DC MVK10TP16VC470M 470uF 20% 1
		C1073	0CE477WF6DC MVK10TP16VC470M 470uF 20% 1
		C108	0CE106WFKDC MVK4.0TP16VC10M 10uF 20% 16
		C1082	0CE476WF6DC MVK6.3TP16VC47M 47uF 20% 16
		C1083	0CE476WF6DC MVK6.3TP16VC47M 47uF 20% 16
		C1084	0CE476WF6DC MVK6.3TP16VC47M 47uF 20% 16
		C1085	0CE476WF6DC MVK6.3TP16VC47M 47uF 20% 16
		C1087	0CE477WF6DC MVK10TP16VC470M 470uF 20% 1
		C1098	0CE476WF6DC MVK6.3TP16VC47M 47uF 20% 16
		C1099	0CE476WF6DC MVK6.3TP16VC47M 47uF 20% 16
		C1102	0CE476WF6DC MVK6.3TP16VC47M 47uF 20% 16
		C1105	0CE107WF6DC MVK6.3TP16VC100M 100uF 20%
		C1107	0CE476WF6DC MVK6.3TP16VC47M 47uF 20% 16
		C1110	0CE477WF6DC MVK10TP16VC470M 470uF 20% 1
		C1114	0CE476WF6DC MVK6.3TP16VC47M 47uF 20% 16
		C1116	0CE476WF6DC MVK6.3TP16VC47M 47uF 20% 16
		C1126	0CE477WF6DC MVK10TP16VC470M 470uF 20% 1
		C1137	0CE107WF6DC MVK6.3TP16VC100M 100uF 20%
		C1138	0CE107WF6DC MVK6.3TP16VC100M 100uF 20%
		C1149	0CE107WF6DC MVK6.3TP16VC100M 100uF 20%
		C1150	0CE107WF6DC MVK6.3TP16VC100M 100uF 20%
		C1151	0CE107WF6DC MVK6.3TP16VC100M 100uF 20%
		C1159	0CE476WF6DC MVK6.3TP16VC47M 47uF 20% 16
		C116	0CE106WFKDC MVK4.0TP16VC10M 10uF 20% 16
		C1162	0CE107WF6DC MVK6.3TP16VC100M 100uF 20%
		C1165	0CE107WF6DC MVK6.3TP16VC100M 100uF 20%
		C1166	0CE107WF6DC MVK6.3TP16VC100M 100uF 20%
		C1185	0CE476WF6DC MVK6.3TP16VC47M 47uF 20% 16
		C1186	0CE476WF6DC MVK6.3TP16VC47M 47uF 20% 16
		C1187	0CE476WF6DC MVK6.3TP16VC47M 47uF 20% 16
		C1188	0CE107WF6DC MVK6.3TP16VC100M 100uF 20%
		C1189	0CE107WF6DC MVK6.3TP16VC100M 100uF 20%
		C1190	0CE107WF6DC MVK6.3TP16VC100M 100uF 20%
		C1191	0CE107WF6DC MVK6.3TP16VC100M 100uF 20%
		C1192	0CE107WF6DC MVK6.3TP16VC100M 100uF 20%
		C1193	0CE107WF6DC MVK6.3TP16VC100M 100uF 20%
		C1199	0CE107WF6DC MVK6.3TP16VC100M 100uF 20%
		C1200	0CE106WFKDC MVK4.0TP16VC10M 10uF 20% 16
		C1201	0CE106WFKDC MVK4.0TP16VC10M 10uF 20% 16
		C1225	0CE106WFKDC MVK4.0TP16VC10M 10uF 20% 16
		C1245	0CE106WFKDC MVK4.0TP16VC10M 10uF 20% 16
		C1247	0CE476WF6DC MVK6.3TP16VC47M 47uF 20% 16
		C1310	0CE107WF6DC MVK6.3TP16VC100M 100uF 20%

DATE: 2006. 05. 01.			
*S	*AL	LOC. NO.	PART NO. DESCRIPTION / SPECIFICATION
		C1313	0CE107WF6DC MVK6.3TP16VC100M 100uF 20%
		C1318	0CE107WF6DC MVK6.3TP16VC100M 100uF 20%
		C1433	0CE107WF6DC MVK6.3TP16VC100M 100uF 20%
		C1503	0CE107WF6DC MVK6.3TP16VC100M 100uF 20%
		C1506	0CE476WF6DC MVK6.3TP16VC47M 47uF 20% 16
		C1507	0CE476WF6DC MVK6.3TP16VC47M 47uF 20% 16
		C1508	0CE476WF6DC MVK6.3TP16VC47M 47uF 20% 16
		C1511	0CE477WF6DC MVK10TP16VC470M 470uF 20% 1
		C1513	0CE476WF6DC MVK6.3TP16VC47M 47uF 20% 16
		C1521	0CE107WF6DC MVK6.3TP16VC100M 100uF 20%
		C179	0CE106WFKDC MVK4.0TP16VC10M 10uF 20% 16
		C1814	0CE227WF6DC MVK8.0TP16VC220M 220uF 20%
		C200	0CE477WF6DC MVK10TP16VC470M 470uF 20% 1
		C201	0CE477WF6DC MVK10TP16VC470M 470uF 20% 1
		C202	0CE477WF6DC MVK10TP16VC470M 470uF 20% 1
		C206	0CE477WF6DC MVK10TP16VC470M 470uF 20% 1
		C208	0CE107WF6DC MVK6.3TP16VC100M 100uF 20%
		C226	0CE106WFKDC MVK4.0TP16VC10M 10uF 20% 16
		C300	0CE227WF6DC MVK8.0TP16VC220M 220uF 20%
		C308	0CE227WF6DC MVK8.0TP16VC220M 220uF 20%
		C310	0CE227WF6DC MVK8.0TP16VC220M 220uF 20%
		C311	0CE227WF6DC MVK8.0TP16VC220M 220uF 20%
		C314	0CE227WF6DC MVK8.0TP16VC220M 220uF 20%
		C418	0CE106WFKDC MVK4.0TP16VC10M 10uF 20% 16
		C420	0CE106WFKDC MVK4.0TP16VC10M 10uF 20% 16
		C501	0CE477WF6DC MVK10TP16VC470M 470uF 20% 1
		C502	0CE226WF6DC MVK5.0TP16VC22M 22uF 20% 16
		C506	0CE107WF6DC MVK6.3TP16VC100M 100uF 20%
		C508	0CE477WF6DC MVK10TP16VC470M 470uF 20% 1
		C509	0CE477WF6DC MVK10TP16VC470M 470uF 20% 1
		C510	0CE477WF6DC MVK10TP16VC470M 470uF 20% 1
		C517	0CE227WF6DC MVK8.0TP16VC220M 220uF 20%
		C519	0CE477WF6DC MVK10TP16VC470M 470uF 20% 1
		C521	0CE227WF6DC MVK8.0TP16VC220M 220uF 20%
		C524	0CE227WF6DC MVK8.0TP16VC220M 220uF 20%
		C525	0CE227WF6DC MVK8.0TP16VC220M 220uF 20%
		C526	0CE477WF6DC MVK10TP16VC470M 470uF 20% 1
		C529	0CE227WF6DC MVK8.0TP16VC220M 220uF 20%
		C530	0CE227WF6DC MVK8.0TP16VC220M 220uF 20%
		C535	0CE227WF6DC MVK8.0TP16VC220M 220uF 20%
		C536	0CE227WF6DC MVK8.0TP16VC220M 220uF 20%
		C538	0CE226WF6DC MVK5.0TP16VC22M 22uF 20% 16
		C540	0CE107WF6DC MVK6.3TP16VC100M 100uF 20%
		C546	0CE477WF6DC MVK10TP16VC470M 470uF 20% 1
		C606	0CE107WF6DC MVK6.3TP16VC100M 100uF 20%
		C610	0CE107WF6DC MVK6.3TP16VC100M 100uF 20%
		C624	0CE107WF6DC MVK6.3TP16VC100M 100uF 20%
		C627	0CE107WF6DC MVK6.3TP16VC100M 100uF 20%
		C728	0CE226WF6DC MVK5.0TP16VC22M 22uF 20% 16
		C729	0CE226WF6DC MVK5.0TP16VC22M 22uF 20% 16
		C730	0CE226WF6DC MVK5.0TP16VC22M 22uF 20% 16
		C731	0CE226WF6DC MVK5.0TP16VC22M 22uF 20% 16
		C735	0CE226WF6DC MVK5.0TP16VC22M 22uF 20% 16
		C737	0CE226WF6DC MVK5.0TP16VC22M 22uF 20% 16
		C739	0CE226WF6DC MVK5.0TP16VC22M 22uF 20% 16
		C745	0CE226WF6DC MVK5.0TP16VC22M 22uF 20% 16
		C750	0CE226WF6DC MVK5.0TP16VC22M 22uF 20% 16
		C752	0CE226WF6DC MVK5.0TP16VC22M 22uF 20% 16
		C760	0CE226WF6DC MVK5.0TP16VC22M 22uF 20% 16
		C762	0CE226WF6DC MVK5.0TP16VC22M 22uF 20% 16
		C764	0CE226WF6DC MVK5.0TP16VC22M 22uF 20% 16
		C767	0CE226WF6DC MVK5.0TP16VC22M 22uF 20% 16
		C771	0CE226WF6DC MVK5.0TP16VC22M 22uF 20% 16
		C832	0CE226WF6DC MVK5.0TP16VC22M 22uF 20% 16
		C833	0CE226WF6DC MVK5.0TP16VC22M 22uF 20% 16

DATE: 2006. 05. 01.				
*S	*AL	LOC. NO.	PART NO.	DESCRIPTION / SPECIFICATION
		C197	0CK104CF56A	0603B104K160CT 100nF 10% 16
		C198	0CK103CK56A	0603B103K500CT 10nF 10% 50V
		C227	0CK103CK56A	0603B103K500CT 10nF 10% 50V
		C2570	0CK104CK56A	0603B104K500CT 100nF 10% 50
		C2579	0CC101CK41A	C1608C0G1H101JT 100pF 5% 50
		C302	0CC470CK41A	C1608C0G1H470JT 47pF 5% 50V
		C303	0CK104CF56A	0603B104K160CT 100nF 10% 16
		C304	0CC470CK41A	C1608C0G1H470JT 47pF 5% 50V
		C305	0CK104CF56A	0603B104K160CT 100nF 10% 16
		C306	0CC470CK41A	C1608C0G1H470JT 47pF 5% 50V
		C307	0CC470CK41A	C1608C0G1H470JT 47pF 5% 50V
		C309	0CK104CF56A	0603B104K160CT 100nF 10% 16
		C316	0CK104CF56A	0603B104K160CT 100nF 10% 16
		C317	0CK104CF56A	0603B104K160CT 100nF 10% 16
		C318	0CK104CF56A	0603B104K160CT 100nF 10% 16
		C320	0CK104CF56A	0603B104K160CT 100nF 10% 16
		C321	0CK104CF56A	0603B104K160CT 100nF 10% 16
		C322	0CK104CF56A	0603B104K160CT 100nF 10% 16
		C324	0CK104CF56A	0603B104K160CT 100nF 10% 16
		C325	0CC101CK41A	C1608C0G1H101JT 100pF 5% 50
		C401	0CK104CF56A	0603B104K160CT 100nF 10% 16
		C402	0CC331CK41A	C1608C0G1H331JT 330pF 5% 50
		C403	0CC331CK41A	C1608C0G1H331JT 330pF 5% 50
		C404	0CK104CF56A	0603B104K160CT 100nF 10% 16
		C405	0CK104CF56A	0603B104K160CT 100nF 10% 16
		C406	0CK104CF56A	0603B104K160CT 100nF 10% 16
		C407	0CK104CF56A	0603B104K160CT 100nF 10% 16
		C408	0CK104CF56A	0603B104K160CT 100nF 10% 16
		C409	0CK104CF56A	0603B104K160CT 100nF 10% 16
		C412	0CK104CF56A	0603B104K160CT 100nF 10% 16
		C419	0CK104CF56A	0603B104K160CT 100nF 10% 16
		C421	0CK104CF56A	0603B104K160CT 100nF 10% 16
		C500	0CK104CF56A	0603B104K160CT 100nF 10% 16
		C504	0CK104CF56A	0603B104K160CT 100nF 10% 16
		C513	0CK104CF56A	0603B104K160CT 100nF 10% 16
		C516	0CK103CK56A	0603B103K500CT 10nF 10% 50V
		C518	0CK104CF56A	0603B104K160CT 100nF 10% 16
		C520	0CK104CF56A	0603B104K160CT 100nF 10% 16
		C522	0CK104CF56A	0603B104K160CT 100nF 10% 16
		C523	0CK104CF56A	0603B104K160CT 100nF 10% 16
		C527	0CK104CF56A	0603B104K160CT 100nF 10% 16
		C528	0CK104CF56A	0603B104K160CT 100nF 10% 16
		C531	0CK104CF56A	0603B104K160CT 100nF 10% 16
		C533	0CK104CF56A	0603B104K160CT 100nF 10% 16
		C534	0CK104CF56A	0603B104K160CT 100nF 10% 16
		C537	0CK105CD56A	C1608X7R1A105KT 1uF 10% 10V
		C541	0CK104CF56A	0603B104K160CT 100nF 10% 16
		C542	0CK104CF56A	0603B104K160CT 100nF 10% 16
		C543	0CK104CF56A	0603B104K160CT 100nF 10% 16
		C544	0CK105CD56A	C1608X7R1A105KT 1uF 10% 10V
		C545	0CK105CD56A	C1608X7R1A105KT 1uF 10% 10V
		C547	0CK105CD56A	C1608X7R1A105KT 1uF 10% 10V
		C601	0CK104CK56A	0603B104K500CT 100nF 10% 50
		C602	0CK104CK56A	0603B104K500CT 100nF 10% 50
		C603	0CK104CK56A	0603B104K500CT 100nF 10% 50
		C607	0CK104CK56A	0603B104K500CT 100nF 10% 50
		C609	0CK104CK56A	0603B104K500CT 100nF 10% 50
		C625	0CK104CK56A	0603B104K500CT 100nF 10% 50
		C628	0CK104CK56A	0603B104K500CT 100nF 10% 50
		C630	0CK104CK56A	0603B104K500CT 100nF 10% 50
		C631	0CK104CK56A	0603B104K500CT 100nF 10% 50
		C700	0CC300CK41A	C1608C0G1H300JT 30pF 5% 50V
		C701	0CC300CK41A	C1608C0G1H300JT 30pF 5% 50V
		C703	0CK104CK56A	0603B104K500CT 100nF 10% 50
		C704	0CK104CK56A	0603B104K500CT 100nF 10% 50
		C705	0CK104CK56A	0603B104K500CT 100nF 10% 50
		C706	0CK104CK56A	0603B104K500CT 100nF 10% 50
		C708	0CK104CK56A	0603B104K500CT 100nF 10% 50
		C709	0CK104CK56A	0603B104K500CT 100nF 10% 50
		C710	0CK104CK56A	0603B104K500CT 100nF 10% 50
		C711	0CK104CK56A	0603B104K500CT 100nF 10% 50
		C713	0CK104CK56A	0603B104K500CT 100nF 10% 50
		C714	0CK104CK56A	0603B104K500CT 100nF 10% 50
		C715	0CK104CK56A	0603B104K500CT 100nF 10% 50

DATE: 2006. 05. 01.				
*S	*AL	LOC. NO.	PART NO.	DESCRIPTION / SPECIFICATION
		C717	0CK104CK56A	0603B104K500CT 100nF 10% 50
		C721	0CK104CK56A	0603B104K500CT 100nF 10% 50
		C723	0CK104CK56A	0603B104K500CT 100nF 10% 50
		C724	0CK104CK56A	0603B104K500CT 100nF 10% 50
		C725	0CK104CK56A	0603B104K500CT 100nF 10% 50
		C727	0CC221CK41A	C1608C0G1H221JT 220pF 5% 50
		C746	0CK104CK56A	0603B104K500CT 100nF 10% 50
		C765	0CK104CK56A	0603B104K500CT 100nF 10% 50
		C773	0CK104CK56A	0603B104K500CT 100nF 10% 50
		C774	0CK104CK56A	0603B104K500CT 100nF 10% 50
		C775	0CK104CK56A	0603B104K500CT 100nF 10% 50
		C776	0CK104CK56A	0603B104K500CT 100nF 10% 50
		C800	0CK104CK56A	0603B104K500CT 100nF 10% 50
		C803	0CK104CK56A	0603B104K500CT 100nF 10% 50
		C805	0CK104CK56A	0603B104K500CT 100nF 10% 50
		C810	0CC300CK41A	C1608C0G1H300JT 30pF 5% 50V
		C811	0CC300CK41A	C1608C0G1H300JT 30pF 5% 50V
		C812	0CK104CK56A	0603B104K500CT 100nF 10% 50
		C813	0CK104CK56A	0603B104K500CT 100nF 10% 50
		C814	0CK104CK56A	0603B104K500CT 100nF 10% 50
		C815	0CK104CK56A	0603B104K500CT 100nF 10% 50
		C816	0CK104CK56A	0603B104K500CT 100nF 10% 50
		C817	0CK104CK56A	0603B104K500CT 100nF 10% 50
		C818	0CK104CK56A	0603B104K500CT 100nF 10% 50
		C819	0CK104CK56A	0603B104K500CT 100nF 10% 50
		C820	0CK104CK56A	0603B104K500CT 100nF 10% 50
		C821	0CK104CK56A	0603B104K500CT 100nF 10% 50
		C822	0CK104CK56A	0603B104K500CT 100nF 10% 50
		C823	0CK104CK56A	0603B104K500CT 100nF 10% 50
		C824	0CK104CK56A	0603B104K500CT 100nF 10% 50
		C825	0CK104CK56A	0603B104K500CT 100nF 10% 50
		C826	0CK104CK56A	0603B104K500CT 100nF 10% 50
		C828	0CK104CK56A	0603B104K500CT 100nF 10% 50
		C829	0CK104CK56A	0603B104K500CT 100nF 10% 50
		C830	0CK104CK56A	0603B104K500CT 100nF 10% 50
		C831	0CK104CK56A	0603B104K500CT 100nF 10% 50
		C843	0CK104CK56A	0603B104K500CT 100nF 10% 50
		C858	0CK104CK56A	0603B104K500CT 100nF 10% 50
		C900	0CK104CK56A	0603B104K500CT 100nF 10% 50
		C945	0CK104CK56A	0603B104K500CT 100nF 10% 50
		C948	0CK104CK56A	0603B104K500CT 100nF 10% 50
		C949	0CK104CK56A	0603B104K500CT 100nF 10% 50
		C951	0CK103CK56A	0603B103K500CT 10nF 10% 50V
		C99	0CK103CK56A	0603B103K500CT 10nF 10% 50V
		C1	0CH3104K566	0805B104K500CT 100nF 10% 50
DIODES				
		D1200	0DD184009AA	KDS184 KDS184 TP KEC - 85V
		D1000	0DD100009AM	EU12V(1) 200V 2.5V 10UA 15A
		D1011	0DD200009AF	RU2M 400V 1.2V 10UA 20A 400
		D1012	0DD200009AF	RU2M 400V 1.2V 10UA 20A 400
		D1005	0DS226009AA	KDS226 1.2V 85V 300MA 2A 4N
		D1006	0DS226009AA	KDS226 1.2V 85V 300MA 2A 4N
		D1007	0DS226009AA	KDS226 1.2V 85V 300MA 2A 4N
		D1008	0DS226009AA	KDS226 1.2V 85V 300MA 2A 4N
		D1009	0DS226009AA	KDS226 1.2V 85V 300MA 2A 4N
		D1010	0DS226009AA	KDS226 1.2V 85V 300MA 2A 4N
		D1100	0DS226009AA	KDS226 1.2V 85V 300MA 2A 4N
		D1106	0DS226009AA	KDS226 1.2V 85V 300MA 2A 4N
		D1107	0DS226009AA	KDS226 1.2V 85V 300MA 2A 4N
		D1110	0DS226009AA	KDS226 1.2V 85V 300MA 2A 4N
IC				
		IC102	0ISTLPH026A	74LVC14APW 1.2TO3.6V 0.01mA
		IC300	0ISTLPH003B	74LVC541APW 1.2TO3.6V 0.01mA
		IC301	0IMCRFA013A	74LVC244MTC 2TO3.6V 0.01mA
		IC406	0ISTLPH026A	74LVC14APW 1.2TO3.6V 0.01mA
		IC505	0ISTLPH003B	74LVC541APW 1.2TO3.6V 0.01mA
		IC506	0ISTLPH003B	74LVC541APW 1.2TO3.6V 0.01mA
		IC604	0IITO741570C	TC74LVCX157FT 2TO3.6V 0.01mA
		IC605	0IITO741570C	TC74LVCX157FT 2TO3.6V 0.01mA

DATE: 2006. 05. 01.				
*S	*AL	LOC. NO.	PART NO.	DESCRIPTION / SPECIFICATION
			IC606	0ITO741570C TC74LCX157FT 2TO3.6V 0.01mA
			IC100	0IPRP00703A STI5100GUB 3.3V -- PBGA TR
			IC901	0IMMRHY052C HY5DU281622ETP-5 128MBIT 2M
			IC902	0IMMRHY052C HY5DU281622ETP-5 128MBIT 2M
			IC1201	0ICS240213A CAT24WC02J-TE13 2KBIT 256X8
			IC400	0IMP242560A 24LC256-I/SM 256KBIT 32KX8B
			IC701	0IMMR00023A 24LC32A-I/SNG 32KBIT 4KX8B
			IC802	0IMP242560A 24LC256-I/SM 256KBIT 32KX8B
			IC800	0IMCR02005A FLI8532-LF-BD 3.3V_2.5V_1.8
			IC1000	0IPRPM001A MIC39100 2.3TO26V -- SOT22
			IC1001	0IMCRRH001A BA033FP-E2 4.3TO25V 3.3V 1W
			IC1003	0IPMG00027A SC156515M-1.8TR 2.2TO5.5V 1
			IC1004	0IMCRRH001A BA033FP-E2 4.3TO25V 3.3V 1W
			IC1005	0IMCRRH001A BA033FP-E2 4.3TO25V 3.3V 1W
			IC1100	0IMCRRH001A BA033FP-E2 4.3TO25V 3.3V 1W
			IC1102	0IPMG00027A SC156515M-1.8TR 2.2TO5.5V 1
			IC1103	0IPMGKE030A KIA78R05F 6TO12V 5V 8W DPAK
			IC1105	0IPRPM001A MIC39100 2.3TO26V -- SOT22
			IC500	0IMCRSJ001A SC15651ST-1.8 2.2TO5.5V 1.8
			IC501	0IPMG00027A SC156515M-1.8TR 2.2TO5.5V 1
			IC502	0IMCRSJ001B SC15651ST-2.5TR 2.2TO5V 2.5
			IC503	0IPMGKE030A KIA78R05F 6TO12V 5V 8W DPAK
			IC504	0IPMGKE031A KIA78R33F 4TO10V 3.3V 8W DP
			IC201	0IMMRMR027E MX29LV320CTTC-70G 32MBIT 4M
			IC900	0IMMRAL016D AT49BV160C-70TU 16MBIT 1MX1
			IC703	0IMMR00004A SST25V040-20-4C-S2AE 4MBIT
			IC507	0ISTL00029A MC33078DR2G +-5TO+-18V 2mV
			IC1204	0IPRP00623A CM2021-00TR 1.0TO5.5 - TSSO
			IC1402	0IPRPS5005A SI9011CLU -- LQFP TR 128P
			IC202	0IMMRIH038B HYB25D256160CE-5 256MBIT 16
			IC403	0IPRP00009A ICL3232CBNZ 3.0TO5.5 - SSOP
			IC600	0IPRP00009A ICL3232CBNZ 3.0TO5.5 - SSOP
			IC1401	0IMCR02006A "FLI8125BB-LF 3.15VTO3.45V,1"
			IC101	0IKE702900G KIA7029AF -0.3TO15V 2.9V 50
			IC1002	0IMCRFA010A KA7809R 11.5TO24V 9V 150W D
			IC200	0IPMG78391A SC2595STR 2.3TO5V -- SOIC
COIL & CORE & INDUCTOR				
		L1000	6140VB0004B LN-15A1 26uH -- 12X9MM LEA	
		L1010	6210VC0006A FBMH3216 HM501NT 500OHM 3.2	
		L1011	6210VC0006A FBMH3216 HM501NT 500OHM 3.2	
		L1018	6210VC0006A FBMH3216 HM501NT 500OHM 3.2	
		L1019	6210VC0006A FBMH3216 HM501NT 500OHM 3.2	
		L1021	6210VC0006A FBMH3216 HM501NT 500OHM 3.2	
		L1023	6210VC0006A FBMH3216 HM501NT 500OHM 3.2	
		L104	6210TCE001G HH-1M3216-501JT 500OHM 3.2X	
		L105	6210TCE001G HH-1M3216-501JT 500OHM 3.2X	
		L1111	6210VC0006A FBMH3216 HM501NT 500OHM 3.2	
		L1112	6210VC0006A FBMH3216 HM501NT 500OHM 3.2	
		L1204	6210VC0006A FBMH3216 HM501NT 500OHM 3.2	
		L1205	6210VC0006A FBMH3216 HM501NT 500OHM 3.2	
		L1206	6210VC0006A FBMH3216 HM501NT 500OHM 3.2	
		L1207	6210VC0006A FBMH3216 HM501NT 500OHM 3.2	
		L1208	6210VC0006A FBMH3216 HM501NT 500OHM 3.2	
		L1351	6210VC0006A FBMH3216 HM501NT 500OHM 3.2	
		L1402	6210TCE001S HU-1M2012-121 120OHM 2X1.25	
		L1403	6210TCE001S HU-1M2012-121 120OHM 2X1.25	
		L514	6210TCE001G HH-1M3216-501JT 500OHM 3.2X	
		R1373	6210TCE0013 HB-1M1608-121JT 120OHM 1.6X	
		R1376	6210TCE0013 HB-1M1608-121JT 120OHM 1.6X	
		AL1	6210TCE002B HB-4M3216-121JT 120OHM 3.2X	
		AL2	6210TCE002B HB-4M3216-121JT 120OHM 3.2X	
		AL3	6210TCE002B HB-4M3216-121JT 120OHM 3.2X	
		AL4	6210TCE002B HB-4M3216-121JT 120OHM 3.2X	
		AL5	6210TCE002B HB-4M3216-121JT 120OHM 3.2X	
		AL6	6210TCE002B HB-4M3216-121JT 120OHM 3.2X	
		L100	6210TCE001G HH-1M3216-501JT 500OHM 3.2X	
		L1001	6210VC0006A FBMH3216 HM501NT 500OHM 3.2	
		L1002	6210VC0006A FBMH3216 HM501NT 500OHM 3.2	
		L1003	6210VC0006A FBMH3216 HM501NT 500OHM 3.2	
		L1004	6210VC0006A FBMH3216 HM501NT 500OHM 3.2	
		L1005	6210VC0006A FBMH3216 HM501NT 500OHM 3.2	
		L1006	6210VC0006A FBMH3216 HM501NT 500OHM 3.2	

DATE: 2006. 05. 01.				
*S	*AL	LOC. NO.	PART NO.	DESCRIPTION / SPECIFICATION
		L1008	6210VC0006A FBMH3216 HM501NT 500OHM 3.2	
		L101	6210TCE001G HH-1M3216-501JT 500OHM 3.2X	
		L1012	6210VC0006A FBMH3216 HM501NT 500OHM 3.2	
		L1013	6210VC0006A FBMH3216 HM501NT 500OHM 3.2	
		L1014	6210VC0006A FBMH3216 HM501NT 500OHM 3.2	
		L1015	6210VC0006A FBMH3216 HM501NT 500OHM 3.2	
		L1016	6210VC0006A FBMH3216 HM501NT 500OHM 3.2	
		L1017	6210VC0006A FBMH3216 HM501NT 500OHM 3.2	
		L102	6210TCE001G HH-1M3216-501JT 500OHM 3.2X	
		L1020	6210VC0006A FBMH3216 HM501NT 500OHM 3.2	
		L1022	6210VC0006A FBMH3216 HM501NT 500OHM 3.2	
		L1024	6210VC0006A FBMH3216 HM501NT 500OHM 3.2	
		L1025	6210VC0006A FBMH3216 HM501NT 500OHM 3.2	
		L1026	6210VC0006A FBMH3216 HM501NT 500OHM 3.2	
		L1028	6210VC0006A FBMH3216 HM501NT 500OHM 3.2	
		L106	6210TCE001G HH-1M3216-501JT 500OHM 3.2X	
		L107	6210TCE001G HH-1M3216-501JT 500OHM 3.2X	
		L109	6210TCE001G HH-1M3216-501JT 500OHM 3.2X	
		L1102	6210VC0006A FBMH3216 HM501NT 500OHM 3.2	
		L1107	6210VC0006A FBMH3216 HM501NT 500OHM 3.2	
		L1108	6210VC0006A FBMH3216 HM501NT 500OHM 3.2	
		L1109	6210VC0006A FBMH3216 HM501NT 500OHM 3.2	
		L1110	6210VC0006A FBMH3216 HM501NT 500OHM 3.2	
		L1113	6210VC0006A FBMH3216 HM501NT 500OHM 3.2	
		L1115	6210VC0006A FBMH3216 HM501NT 500OHM 3.2	
		L1116	6210VC0006A FBMH3216 HM501NT 500OHM 3.2	
		L1117	6210VC0006A FBMH3216 HM501NT 500OHM 3.2	
		L1118	6210VC0006A FBMH3216 HM501NT 500OHM 3.2	
		L1119	6210VC0006A FBMH3216 HM501NT 500OHM 3.2	
		L112	6210TCE001G HH-1M3216-501JT 500OHM 3.2X	
		L1120	6210VC0006A FBMH3216 HM501NT 500OHM 3.2	
		L1121	6210VC0006A FBMH3216 HM501NT 500OHM 3.2	
		L1122	6210VC0006A FBMH3216 HM501NT 500OHM 3.2	
		L1123	6210VC0006A FBMH3216 HM501NT 500OHM 3.2	
		L1125	6210VC0006A FBMH3216 HM501NT 500OHM 3.2	
		L1126	6210VC0006A FBMH3216 HM501NT 500OHM 3.2	
		L1130	6210VC0006A FBMH3216 HM501NT 500OHM 3.2	
		L1131	6210VC0006A FBMH3216 HM501NT 500OHM 3.2	
		L1134	6210VC0006A FBMH3216 HM501NT 500OHM 3.2	
		L1135	6210VC0006A FBMH3216 HM501NT 500OHM 3.2	
		L1209	6210VC0006A FBMH3216 HM501NT 500OHM 3.2	
		L1356	6210VC0006A FBMH3216 HM501NT 500OHM 3.2	
		L1401	6200JB8010L MLB-201209-1000L-N2 1000OHM	
		L300	6210TCE001G HH-1M3216-501JT 500OHM 3.2X	
		L403	6210TCE001G HH-1M3216-501JT 500OHM 3.2X	
		L500	6210TCE001G HH-1M3216-501JT 500OHM 3.2X	
		L507	6210TCE001G HH-1M3216-501JT 500OHM 3.2X	
		L508	6210TCE001G HH-1M3216-501JT 500OHM 3.2X	
		L509	6210TCE001G HH-1M3216-501JT 500OHM 3.2X	
		L510	6210TCE001G HH-1M3216-501JT 500OHM 3.2X	
		L511	6210TCE001G HH-1M3216-501JT 500OHM 3.2X	
		L512	6210TCE001G HH-1M3216-501JT 500OHM 3.2X	
		L513	6210TCE001G HH-1M3216-501JT 500OHM 3.2X	
		L516	6210TCE001G HH-1M3216-501JT 500OHM 3.2X	
		L517	6210TCE001G HH-1M3216-501JT 500OHM 3.2X	
		L604	6210VC0006A FBMH3216 HM501NT 500OHM 3.2	
		L607	6210VC0006A FBMH3216 HM501NT 500OHM 3.2	
		L898	6210VC0006A FBMH3216 HM501NT 500OHM 3.2	
		L899	6210VC0006A FBMH3216 HM501NT 500OHM 3.2	
		L901	6210VC0006A FBMH3216 HM501NT 500OHM 3.2	
		L902	6210VC0006A FBMH3216 HM501NT 500OHM 3.2	
		R1379	6210TCE0013 HB-1M1608-121JT 120OHM 1.6X	
		T1002	6200JB8008S SCR470R500 EMI - 47pF - SMD	
		L110	0LC1032101A FI-C3216-103KJT 10UH 10% -	
		L301	0LCTA00003A LEMC3225T6R8M 6.8UH 20% - 3	
		L305	0LCTA00003A LEMC3225T6R8M 6.8UH 20% - 3	
		L310	0LCTA00003A LEMC3225T6R8M 6.8UH 20% - 3	
		L311	0LCTA00003A LEMC3225T6R8M 6.8UH 20% - 3	
TRANSISTOR				
		IC803	0TF492509AA SI4925DY P-CHANNEL -30V +-2	
		Q500	0TR387500AA 2SC3875S(ALY) NPN 5V 60V 50	

DATE: 2006. 05. 01.			
*S	*AL	LOC. NO.	PART NO. DESCRIPTION / SPECIFICATION
		Q501	0TR150400BA 2SA1504S(ASY) PNP -5V -50V
		Q503	0TR387500AA 2SC3875S(ALY) NPN 5V 60V 50
		Q504	0TR387500AA 2SC3875S(ALY) NPN 5V 60V 50
		Q1001	0TR387500AA 2SC3875S(ALY) NPN 5V 60V 50
		Q1004	0TR387500AA 2SC3875S(ALY) NPN 5V 60V 50
		Q1006	0TR387500AA 2SC3875S(ALY) NPN 5V 60V 50
		Q1007	0TR387500AA 2SC3875S(ALY) NPN 5V 60V 50
		Q1008	0TR387500AA 2SC3875S(ALY) NPN 5V 60V 50
		Q1200	0TR387500AA 2SC3875S(ALY) NPN 5V 60V 50
		Q301	0TR150400BA 2SA1504S(ASY) PNP -5V -50V
		Q400	0TR387500AA 2SC3875S(ALY) NPN 5V 60V 50
		Q401	0TR387500AA 2SC3875S(ALY) NPN 5V 60V 50
		Q402	0TR387500AA 2SC3875S(ALY) NPN 5V 60V 50
		Q502	0TR102009AM KRA102S PNP -30V - -50V -0.
		Q505	0TR387500AA 2SC3875S(ALY) NPN 5V 60V 50
		Q506	0TR387500AA 2SC3875S(ALY) NPN 5V 60V 50
		Q801	0TR387500AA 2SC3875S(ALY) NPN 5V 60V 50
RESISTORS			
		AR100	0RJ0472C687 RCA86TRJ47R0 47OHM 5% 1/16W
		AR101	0RJ0472C687 RCA86TRJ47R0 47OHM 5% 1/16W
		AR102	0RJ0472C687 RCA86TRJ47R0 47OHM 5% 1/16W
		AR103	0RJ0472C687 RCA86TRJ47R0 47OHM 5% 1/16W
		AR104	0RJ0472C687 RCA86TRJ47R0 47OHM 5% 1/16W
		AR105	0RJ0472C687 RCA86TRJ47R0 47OHM 5% 1/16W
		AR106	0RJ0472C687 RCA86TRJ47R0 47OHM 5% 1/16W
		AR107	0RJ0472C687 RCA86TRJ47R0 47OHM 5% 1/16W
		AR108	0RJ0472C687 RCA86TRJ47R0 47OHM 5% 1/16W
		AR109	0RJ0472C687 RCA86TRJ47R0 47OHM 5% 1/16W
		AR110	0RJ0472C687 RCA86TRJ47R0 47OHM 5% 1/16W
		AR111	0RJ0472C687 RCA86TRJ47R0 47OHM 5% 1/16W
		AR1206	0RJ0000D677 RCA86TRJ0000 0OHM 5% 1/16W
		AR1207	0RJ0000D677 RCA86TRJ0000 0OHM 5% 1/16W
		AR1401	0RJ0222C687 RCA86TRJ22R0 22OHM 5% 1/16W
		AR1402	0RJ0222C687 RCA86TRJ22R0 22OHM 5% 1/16W
		AR1403	0RJ0222C687 RCA86TRJ22R0 22OHM 5% 1/16W
		AR1404	0RJ0222C687 RCA86TRJ22R0 22OHM 5% 1/16W
		AR1405	0RJ0222C687 RCA86TRJ22R0 22OHM 5% 1/16W
		AR1406	0RJ0222C687 RCA86TRJ22R0 22OHM 5% 1/16W
		AR248	0RJ0332C687 RCA86TRJ33R0 33OHM 5% 1/16W
		AR249	0RJ0332C687 RCA86TRJ33R0 33OHM 5% 1/16W
		AR250	0RJ0332C687 RCA86TRJ33R0 33OHM 5% 1/16W
		AR251	0RJ0332C687 RCA86TRJ33R0 33OHM 5% 1/16W
		AR252	0RJ0332C687 RCA86TRJ33R0 33OHM 5% 1/16W
		AR253	0RJ0332C687 RCA86TRJ33R0 33OHM 5% 1/16W
		AR254	0RJ0332C687 RCA86TRJ33R0 33OHM 5% 1/16W
		AR255	0RJ0332C687 RCA86TRJ33R0 33OHM 5% 1/16W
		AR500	0RJ0222C687 RCA86TRJ22R0 22OHM 5% 1/16W
		AR501	0RJ0222C687 RCA86TRJ22R0 22OHM 5% 1/16W
		AR700	0RJ0222C687 RCA86TRJ22R0 22OHM 5% 1/16W
		AR701	0RJ0222C687 RCA86TRJ22R0 22OHM 5% 1/16W
		AR702	0RJ0222C687 RCA86TRJ22R0 22OHM 5% 1/16W
		AR703	0RJ0222C687 RCA86TRJ22R0 22OHM 5% 1/16W
		AR704	0RJ0222C687 RCA86TRJ22R0 22OHM 5% 1/16W
		AR705	0RJ0222C687 RCA86TRJ22R0 22OHM 5% 1/16W
		AR806	0RJ0512C687 RCA86TRJ51R0 51OHM 5% 1/16W
		AR807	0RJ0512C687 RCA86TRJ51R0 51OHM 5% 1/16W
		AR808	0RJ0512C687 RCA86TRJ51R0 51OHM 5% 1/16W
		AR809	0RJ0512C687 RCA86TRJ51R0 51OHM 5% 1/16W
		AR810	0RJ0512C687 RCA86TRJ51R0 51OHM 5% 1/16W
		AR811	0RJ0512C687 RCA86TRJ51R0 51OHM 5% 1/16W
		AR812	0RJ0512C687 RCA86TRJ51R0 51OHM 5% 1/16W
		AR813	0RJ0512C687 RCA86TRJ51R0 51OHM 5% 1/16W
		AR814	0RJ0512C687 RCA86TRJ51R0 51OHM 5% 1/16W
		AR815	0RJ0512C687 RCA86TRJ51R0 51OHM 5% 1/16W
		AR816	0RJ0512C687 RCA86TRJ51R0 51OHM 5% 1/16W
		AR817	0RJ0512C687 RCA86TRJ51R0 51OHM 5% 1/16W
		R1007	0RJ0000D677 MCR03EZPJ000 0OHM 5% 1/10W
		R1009	0RJ4701D677 MCR03EZPJ472 4.7KOHM 5% 1/1
		R1025	0RJ0222D677 MCR03EZPJ220 22OHM 5% 1/10W
		R1026	0RJ0000D677 MCR03EZPJ000 0OHM 5% 1/10W
		R1032	0RJ6800D677 MCR03EZPJ681 680OHM 5% 1/10
		R1034	0RJ1001D677 MCR03EZPJ102 1KOHM 5% 1/10W

DATE: 2006. 05. 01.			
*S	*AL	LOC. NO.	PART NO. DESCRIPTION / SPECIFICATION
		R1036	0RJ1001D677 MCR03EZPJ102 1KOHM 5% 1/10W
		R1050	0RJ0222D677 MCR03EZPJ220 22OHM 5% 1/10W
		R1202	0RJ1001D677 MCR03EZPJ102 1KOHM 5% 1/10W
		R1207	0RJ4702D677 MCR03EZPJ473 47KOHM 5% 1/10
		R1208	0RJ4702D677 MCR03EZPJ473 47KOHM 5% 1/10
		R1211	0RJ1001D677 MCR03EZPJ102 1KOHM 5% 1/10W
		R1236	0RJ2001D677 MCR03EZPJ202 2KOHM 5% 1/10W
		R1242	0RJ1002D677 MCR03EZPJ103 10KOHM 5% 1/10
		R127	0RJ0472D677 MCR03EZPJ470 47OHM 5% 1/10W
		R128	0RJ0472D677 MCR03EZPJ470 47OHM 5% 1/10W
		R1339	0RJ0000D677 MCR03EZPJ000 0OHM 5% 1/10W
		R1350	0RJ0000D677 MCR03EZPJ000 0OHM 5% 1/10W
		R1351	0RJ0000D677 MCR03EZPJ000 0OHM 5% 1/10W
		R140	0RJ0472D677 MCR03EZPJ470 47OHM 5% 1/10W
		R1413	0RJ0222D677 MCR03EZPJ220 22OHM 5% 1/10W
		R1414	0RJ0222D677 MCR03EZPJ220 22OHM 5% 1/10W
		R1415	0RJ0222D677 MCR03EZPJ220 22OHM 5% 1/10W
		R142	0RJ0472D677 MCR03EZPJ470 47OHM 5% 1/10W
		R143	0RJ0472D677 MCR03EZPJ470 47OHM 5% 1/10W
		R144	0RJ2701D677 MCR03EZPJ272 2.7KOHM 5% 1/1
		R147	0RJ2701D677 MCR03EZPJ272 2.7KOHM 5% 1/1
		R148	0RJ0472D677 MCR03EZPJ470 47OHM 5% 1/10W
		R149	0RJ0472D677 MCR03EZPJ470 47OHM 5% 1/10W
		R151	0RJ0472D677 MCR03EZPJ470 47OHM 5% 1/10W
		R153	0RJ0472D677 MCR03EZPJ470 47OHM 5% 1/10W
		R161	0RJ0000D677 MCR03EZPJ000 0OHM 5% 1/10W
		R162	0RJ0000D677 MCR03EZPJ000 0OHM 5% 1/10W
		R163	0RJ0472D677 MCR03EZPJ470 47OHM 5% 1/10W
		R164	0RJ0472D677 MCR03EZPJ470 47OHM 5% 1/10W
		R165	0RJ1202D677 MCR03EZPJ123 12KOHM 5% 1/10
		R166	0RJ1002D677 MCR03EZPJ103 10KOHM 5% 1/10
		R173	0RJ0472D677 MCR03EZPJ470 47OHM 5% 1/10W
		R174	0RJ0472D677 MCR03EZPJ470 47OHM 5% 1/10W
		R175	0RJ0472D677 MCR03EZPJ470 47OHM 5% 1/10W
		R176	0RJ0472D677 MCR03EZPJ470 47OHM 5% 1/10W
		R177	0RJ1002D677 MCR03EZPJ103 10KOHM 5% 1/10
		R1801	0RJ1002D677 MCR03EZPJ103 10KOHM 5% 1/10
		R1817	0RJ0000D677 MCR03EZPJ000 0OHM 5% 1/10W
		R1818	0RJ0000D677 MCR03EZPJ000 0OHM 5% 1/10W
		R1819	0RJ0512D677 MCR03EZPJ510 51OHM 5% 1/10W
		R1821	0RJ0512D677 MCR03EZPJ510 51OHM 5% 1/10W
		R1824	0RJ0512D677 MCR03EZPJ510 51OHM 5% 1/10W
		R1825	0RJ0512D677 MCR03EZPJ510 51OHM 5% 1/10W
		R1828	0RJ0512D677 MCR03EZPJ510 51OHM 5% 1/10W
		R1829	0RJ0512D677 MCR03EZPJ510 51OHM 5% 1/10W
		R1830	0RJ0512D677 MCR03EZPJ510 51OHM 5% 1/10W
		R1831	0RJ0512D677 MCR03EZPJ510 51OHM 5% 1/10W
		R1866	0RJ1002D677 MCR03EZPJ103 10KOHM 5% 1/10
		R1867	0RJ1002D677 MCR03EZPJ103 10KOHM 5% 1/10
		R1881	0RJ0000D677 MCR03EZPJ000 0OHM 5% 1/10W
		R1887	0RJ0222D677 MCR03EZPJ220 22OHM 5% 1/10W
		R1888	0RJ0222D677 MCR03EZPJ220 22OHM 5% 1/10W
		R1889	0RJ0222D677 MCR03EZPJ220 22OHM 5% 1/10W
		R1895	0RJ0000D677 MCR03EZPJ000 0OHM 5% 1/10W
		R191	0RJ3300D677 MCR03EZPJ331 330OHM 5% 1/10
		R192	0RJ3300D677 MCR03EZPJ331 330OHM 5% 1/10
		R196	0RJ0472D677 MCR03EZPJ470 47OHM 5% 1/10W
		R200	0RJ4701D677 MCR03EZPJ472 4.7KOHM 5% 1/1
		R201	0RJ1000D677 MCR03EZPJ101 100OHM 5% 1/10
		R202	0RJ1000D677 MCR03EZPJ101 100OHM 5% 1/10
		R203	0RJ1000D677 MCR03EZPJ101 100OHM 5% 1/10
		R204	0RJ1000D677 MCR03EZPJ101 100OHM 5% 1/10
		R205	0RJ1000D677 MCR03EZPJ101 100OHM 5% 1/10
		R206	0RJ1000D677 MCR03EZPJ101 100OHM 5% 1/10
		R207	0RJ1000D677 MCR03EZPJ101 100OHM 5% 1/10
		R208	0RJ1000D677 MCR03EZPJ101 100OHM 5% 1/10
		R209	0RJ1000D677 MCR03EZPJ101 100OHM 5% 1/10
		R210	0RJ1000D677 MCR03EZPJ101 100OHM 5% 1/10
		R211	0RJ1000D677 MCR03EZPJ101 100OHM 5% 1/10
		R212	0RJ1000D677 MCR03EZPJ101 100OHM 5% 1/10
		R213	0RJ1000D677 MCR03EZPJ101 100OHM 5% 1/10
		R214	0RJ1000D677 MCR03EZPJ101 100OHM 5% 1/10
		R215	0RJ1000D677 MCR03EZPJ101 100OHM 5% 1/10
		R216	0RJ1000D677 MCR03EZPJ101 100OHM 5% 1/10

DATE: 2006. 05. 01.				
*S	*AL	LOC. NO.	PART NO.	DESCRIPTION / SPECIFICATION
		R217	0RJ1000D677	MCR03EZPJ101 100OHM 5% 1/10
		R218	0RJ1000D677	MCR03EZPJ101 100OHM 5% 1/10
		R219	0RJ1000D677	MCR03EZPJ101 100OHM 5% 1/10
		R220	0RJ1000D677	MCR03EZPJ101 100OHM 5% 1/10
		R221	0RJ1000D677	MCR03EZPJ101 100OHM 5% 1/10
		R222	0RJ1000D677	MCR03EZPJ101 100OHM 5% 1/10
		R223	0RJ1000D677	MCR03EZPJ101 100OHM 5% 1/10
		R224	0RJ1000D677	MCR03EZPJ101 100OHM 5% 1/10
		R225	0RJ1000D677	MCR03EZPJ101 100OHM 5% 1/10
		R226	0RJ1000D677	MCR03EZPJ101 100OHM 5% 1/10
		R227	0RJ1000D677	MCR03EZPJ101 100OHM 5% 1/10
		R228	0RJ1000D677	MCR03EZPJ101 100OHM 5% 1/10
		R229	0RJ1000D677	MCR03EZPJ101 100OHM 5% 1/10
		R230	0RJ1000D677	MCR03EZPJ101 100OHM 5% 1/10
		R231	0RJ1000D677	MCR03EZPJ101 100OHM 5% 1/10
		R232	0RJ1000D677	MCR03EZPJ101 100OHM 5% 1/10
		R233	0RJ1000D677	MCR03EZPJ101 100OHM 5% 1/10
		R234	0RJ1000D677	MCR03EZPJ101 100OHM 5% 1/10
		R235	0RJ1000D677	MCR03EZPJ101 100OHM 5% 1/10
		R236	0RJ1000D677	MCR03EZPJ101 100OHM 5% 1/10
		R237	0RJ1000D677	MCR03EZPJ101 100OHM 5% 1/10
		R238	0RJ1000D677	MCR03EZPJ101 100OHM 5% 1/10
		R239	0RJ1000D677	MCR03EZPJ101 100OHM 5% 1/10
		R240	0RJ1000D677	MCR03EZPJ101 100OHM 5% 1/10
		R242	0RJ1000D677	MCR03EZPJ101 100OHM 5% 1/10
		R258	0RJ0332D677	MCR03EZPJ330 330OHM 5% 1/10W
		R259	0RJ0332D677	MCR03EZPJ330 330OHM 5% 1/10W
		R265	0RJ0332D677	MCR03EZPJ330 330OHM 5% 1/10W
		R3004	0RJ0000D677	MCR03EZPJ000 0OHM 5% 1/10W
		R3005	0RJ0000D677	MCR03EZPJ000 0OHM 5% 1/10W
		R3011	0RJ0000D677	MCR03EZPJ000 0OHM 5% 1/10W
		R3012	0RJ0000D677	MCR03EZPJ000 0OHM 5% 1/10W
		R3017	0RJ0222D677	MCR03EZPJ220 22OHM 5% 1/10W
		R3026	0RJ4701D677	MCR03EZPJ472 4.7KOHM 5% 1/1
		R307	0RJ0000G676	MCR18EZHJ000_ 0OHM 5% 1/4W
		R308	0RJ0000G676	MCR18EZHJ000_ 0OHM 5% 1/4W
		R309	0RJ0000G676	MCR18EZHJ000_ 0OHM 5% 1/4W
		R310	0RJ0000G676	MCR18EZHJ000_ 0OHM 5% 1/4W
		R311	0RJ0000G676	MCR18EZHJ000_ 0OHM 5% 1/4W
		R312	0RJ0000G676	MCR18EZHJ000_ 0OHM 5% 1/4W
		R313	0RJ0000G676	MCR18EZHJ000_ 0OHM 5% 1/4W
		R314	0RJ0000G676	MCR18EZHJ000_ 0OHM 5% 1/4W
		R315	0RJ0000G676	MCR18EZHJ000_ 0OHM 5% 1/4W
		R316	0RJ0000G676	MCR18EZHJ000_ 0OHM 5% 1/4W
		R331	0RJ0000G676	MCR18EZHJ000_ 0OHM 5% 1/4W
		R332	0RJ0000G676	MCR18EZHJ000_ 0OHM 5% 1/4W
		R333	0RJ0000G676	MCR18EZHJ000_ 0OHM 5% 1/4W
		R341	0RJ0000D677	MCR03EZPJ000 0OHM 5% 1/10W
		R342	0RJ0000D677	MCR03EZPJ000 0OHM 5% 1/10W
		R343	0RJ0000D677	MCR03EZPJ000 0OHM 5% 1/10W
		R344	0RJ0000D677	MCR03EZPJ000 0OHM 5% 1/10W
		R512	0RJ0000D677	MCR03EZPJ000 0OHM 5% 1/10W
		R513	0RJ0000D677	MCR03EZPJ000 0OHM 5% 1/10W
		R523	0RJ0000D677	MCR03EZPJ000 0OHM 5% 1/10W
		R526	0RJ2702D677	MCR03EZPJ273 27KOHM 5% 1/10
		R527	0RJ2702D677	MCR03EZPJ273 27KOHM 5% 1/10
		R528	0RJ3300D677	MCR03EZPJ331 330OHM 5% 1/10
		R529	0RJ3300D677	MCR03EZPJ331 330OHM 5% 1/10
		R530	0RJ4700D677	MCR03EZPJ471 470OHM 5% 1/10
		R532	0RJ0472D677	MCR03EZPJ470 47OHM 5% 1/10W
		R533	0RJ1001D677	MCR03EZPJ102 1KOHM 5% 1/10W
		R534	0RJ0822D677	MCR03EZPJ820 82OHM 5% 1/10W
		R535	0RJ3300D677	MCR03EZPJ331 330OHM 5% 1/10
		R537	0RJ1001D677	MCR03EZPJ102 1KOHM 5% 1/10W
		R540	0RJ0000D677	MCR03EZPJ000 0OHM 5% 1/10W
		R541	0RJ3300D677	MCR03EZPJ331 330OHM 5% 1/10
		R543	0RJ1000D677	MCR03EZPJ101 100OHM 5% 1/10
		R560	0RJ0000D677	MCR03EZPJ000 0OHM 5% 1/10W
		R561	0RJ1000D677	MCR03EZPJ101 100OHM 5% 1/10
		R562	0RJ1000D677	MCR03EZPJ101 100OHM 5% 1/10
		R566	0RJ4701D677	MCR03EZPJ472 4.7KOHM 5% 1/1
		R567	0RJ0000D677	MCR03EZPJ000 0OHM 5% 1/10W
		R569	0RJ0000G676	MCR18EZHJ000_ 0OHM 5% 1/4W
		R570	0RJ0000G676	MCR18EZHJ000_ 0OHM 5% 1/4W

DATE: 2006. 05. 01.				
*S	*AL	LOC. NO.	PART NO.	DESCRIPTION / SPECIFICATION
		R606	0RJ1000D677	MCR03EZPJ101 100OHM 5% 1/10
		R610	0RJ1000D677	MCR03EZPJ101 100OHM 5% 1/10
		R658	0RJ0000D677	MCR03EZPJ000 0OHM 5% 1/10W
		R661	0RJ0222D677	MCR03EZPJ220 22OHM 5% 1/10W
		R664	0RJ0222D677	MCR03EZPJ220 22OHM 5% 1/10W
		R712	0RJ1002D677	MCR03EZPJ103 10KOHM 5% 1/10
		R780	0RJ2701D677	MCR03EZPJ272 2.7KOHM 5% 1/1
		R781	0RJ2701D677	MCR03EZPJ272 2.7KOHM 5% 1/1
		R784	0RJ1000D677	MCR03EZPJ101 100OHM 5% 1/10
		R785	0RJ1000D677	MCR03EZPJ101 100OHM 5% 1/10
		R803	0RJ1002D677	MCR03EZPJ103 10KOHM 5% 1/10
		R804	0RJ1002D677	MCR03EZPJ103 10KOHM 5% 1/10
		R805	0RJ0000D677	MCR03EZPJ000 0OHM 5% 1/10W
		R837	0RJ4701D677	MCR03EZPJ472 4.7KOHM 5% 1/1
		R841	0RJ4701D677	MCR03EZPJ472 4.7KOHM 5% 1/1
		R850	0RJ0222D677	MCR03EZPJ220 22OHM 5% 1/10W
		R853	0RJ0222D677	MCR03EZPJ220 22OHM 5% 1/10W
		R854	0RJ0222D677	MCR03EZPJ220 22OHM 5% 1/10W
		R855	0RJ0222D677	MCR03EZPJ220 22OHM 5% 1/10W
		R856	0RJ0222D677	MCR03EZPJ220 22OHM 5% 1/10W
		R889	0RJ0222D677	MCR03EZPJ220 22OHM 5% 1/10W
		R893	0RJ9102D677	MCR03EZPJ913 91KOHM 5% 1/10
		R911	0RJ0000D677	MCR03EZPJ000 0OHM 5% 1/10W
		R914	0RJ0000D677	MCR03EZPJ000 0OHM 5% 1/10W
		R917	0RJ1002D677	MCR03EZPJ103 10KOHM 5% 1/10
		R918	0RJ1002D677	MCR03EZPJ103 10KOHM 5% 1/10
		R920	0RJ2700D677	MCR03EZPJ271 270OHM 5% 1/10
		R940	0RJ0000D677	MCR03EZPJ000 0OHM 5% 1/10W
		R941	0RJ0000D677	MCR03EZPJ000 0OHM 5% 1/10W
		R942	0RJ0000D677	MCR03EZPJ000 0OHM 5% 1/10W
		R944	0RJ0000D677	MCR03EZPJ000 0OHM 5% 1/10W
		R949	0RJ0000D677	MCR03EZPJ000 0OHM 5% 1/10W
		R950	0RJ0000D677	MCR03EZPJ000 0OHM 5% 1/10W
		R951	0RJ0000D677	MCR03EZPJ000 0OHM 5% 1/10W
		R952	0RJ0000D677	MCR03EZPJ000 0OHM 5% 1/10W
		R953	0RJ0000D677	MCR03EZPJ000 0OHM 5% 1/10W
		R100	0RJ1002D677	MCR03EZPJ103 10KOHM 5% 1/10
		R1000	0RJ0000D677	MCR03EZPJ000 0OHM 5% 1/10W
		R1001	0RJ1002D677	MCR03EZPJ103 10KOHM 5% 1/10
		R1003	0RJ1002D677	MCR03EZPJ103 10KOHM 5% 1/10
		R1004	0RJ2002D677	MCR03EZPJ203. 20KOHM 5% 1/1
		R1005	0RJ0000D677	MCR03EZPJ000 0OHM 5% 1/10W
		R101	0RJ1002D677	MCR03EZPJ103 10KOHM 5% 1/10
		R1011	0RJ1001D677	MCR03EZPJ102 1KOHM 5% 1/10W
		R1013	0RJ0000D677	MCR03EZPJ000 0OHM 5% 1/10W
		R1015	0RJ1002D677	MCR03EZPJ103 10KOHM 5% 1/10
		R1017	0RJ1801D677	MCR03EZPJ182 1.8KOHM 5% 1/1
		R1019	0RJ1002D677	MCR03EZPJ103 10KOHM 5% 1/10
		R102	0RJ0472D677	MCR03EZPJ470 47OHM 5% 1/10W
		R1021	0RJ1001D677	MCR03EZPJ102 1KOHM 5% 1/10W
		R1024	0RJ0000D677	MCR03EZPJ000 0OHM 5% 1/10W
		R1027	0RJ4701D677	MCR03EZPJ472 4.7KOHM 5% 1/1
		R1028	0RJ0000D677	MCR03EZPJ000 0OHM 5% 1/10W
		R103	0RJ0472D677	MCR03EZPJ470 47OHM 5% 1/10W
		R1031	0RJ1001D677	MCR03EZPJ102 1KOHM 5% 1/10W
		R1033	0RJ1000D677	MCR03EZPJ101 100OHM 5% 1/10
		R1035	0RJ1002D677	MCR03EZPJ103 10KOHM 5% 1/10
		R1037	0RJ1002D677	MCR03EZPJ103 10KOHM 5% 1/10
		R104	0RJ0472D677	MCR03EZPJ470 47OHM 5% 1/10W
		R105	0RJ4701D677	MCR03EZPJ472 4.7KOHM 5% 1/1
		R106	0RJ1001D677	MCR03EZPJ102 1KOHM 5% 1/10W
		R108	0RJ1002D677	MCR03EZPJ103 10KOHM 5% 1/10
		R109	0RJ1002D677	MCR03EZPJ103 10KOHM 5% 1/10
		R110	0RJ1002D677	MCR03EZPJ103 10KOHM 5% 1/10
		R1101	0RJ1002D677	MCR03EZPJ103 10KOHM 5% 1/10
		R1109	0RJ1002D677	MCR03EZPJ103 10KOHM 5% 1/10
		R111	0RJ0000D677	MCR03EZPJ000 0OHM 5% 1/10W
		R1110	0RJ1002D677	MCR03EZPJ103 10KOHM 5% 1/10
		R1111	0RJ2002D677	MCR03EZPJ203. 20KOHM 5% 1/1
		R112	0RJ0472D677	MCR03EZPJ470 47OHM 5% 1/10W
		R113	0RJ0000D677	MCR03EZPJ000 0OHM 5% 1/10W
		R114	0RJ0000D677	MCR03EZPJ000 0OHM 5% 1/10W
		R115	0RJ0000D677	MCR03EZPJ000 0OHM 5% 1/10W
		R116	0RJ0000D677	MCR03EZPJ000 0OHM 5% 1/10W

DATE: 2006. 05. 01.				
*S	*AL	LOC. NO.	PART NO.	DESCRIPTION / SPECIFICATION
		R195	0RJ0472D677	MCR03EZPJ470 470OHM 5% 1/10W
		R256	0RJ0332D677	MCR03EZPJ330 330OHM 5% 1/10W
		R257	0RJ0332D677	MCR03EZPJ330 330OHM 5% 1/10W
		R260	0RJ0332D677	MCR03EZPJ330 330OHM 5% 1/10W
		R261	0RJ0332D677	MCR03EZPJ330 330OHM 5% 1/10W
		R262	0RJ0332D677	MCR03EZPJ330 330OHM 5% 1/10W
		R263	0RJ0332D677	MCR03EZPJ330 330OHM 5% 1/10W
		R264	0RJ0332D677	MCR03EZPJ330 330OHM 5% 1/10W
		R300	0RJ1000D677	MCR03EZPJ101 100OHM 5% 1/10
		R3001	0RJ0000D677	MCR03EZPJ000 0OHM 5% 1/10W
		R3003	0RJ0000D677	MCR03EZPJ000 0OHM 5% 1/10W
		R3008	0RJ0000D677	MCR03EZPJ000 0OHM 5% 1/10W
		R301	0RJ0000D677	MCR03EZPJ000 0OHM 5% 1/10W
		R3010	0RJ1201D677	MCR03EZPJ122 1.2KOHM 5% 1/1
		R3018	0RJ2702D677	MCR03EZPJ273 27KOHM 5% 1/10
		R302	0RJ1000D677	MCR03EZPJ101 100OHM 5% 1/10
		R3020	0RJ1002D677	MCR03EZPJ103 10KOHM 5% 1/10
		R3021	0RJ1002D677	MCR03EZPJ103 10KOHM 5% 1/10
		R3027	0RJ0000G676	MCR18EZHJ000_0OHM 5% 1/4W
		R303	0RJ1000D677	MCR03EZPJ101 100OHM 5% 1/10
		R304	0RJ0000G676	MCR18EZHJ000_0OHM 5% 1/4W
		R305	0RJ0000G676	MCR18EZHJ000_0OHM 5% 1/4W
		R306	0RJ0000G676	MCR18EZHJ000_0OHM 5% 1/4W
		R317	0RJ3300D677	MCR03EZPJ331 330OHM 5% 1/10
		R318	0RJ0332D677	MCR03EZPJ330 330OHM 5% 1/10W
		R319	0RJ0332D677	MCR03EZPJ330 330OHM 5% 1/10W
		R320	0RJ0332D677	MCR03EZPJ330 330OHM 5% 1/10W
		R321	0RJ0332D677	MCR03EZPJ330 330OHM 5% 1/10W
		R322	0RJ0332D677	MCR03EZPJ330 330OHM 5% 1/10W
		R323	0RJ0332D677	MCR03EZPJ330 330OHM 5% 1/10W
		R324	0RJ0332D677	MCR03EZPJ330 330OHM 5% 1/10W
		R325	0RJ0332D677	MCR03EZPJ330 330OHM 5% 1/10W
		R326	0RJ0332D677	MCR03EZPJ330 330OHM 5% 1/10W
		R327	0RJ0332D677	MCR03EZPJ330 330OHM 5% 1/10W
		R328	0RJ0332D677	MCR03EZPJ330 330OHM 5% 1/10W
		R329	0RJ0332D677	MCR03EZPJ330 330OHM 5% 1/10W
		R330	0RJ1003D677	MCR03EZPJ104 100KOHM 5% 1/1
		R400	0RJ4701D677	MCR03EZPJ472 4.7KOHM 5% 1/1
		R401	0RJ4701D677	MCR03EZPJ472 4.7KOHM 5% 1/1
		R402	0RJ4701D677	MCR03EZPJ472 4.7KOHM 5% 1/1
		R403	0RJ1002D677	MCR03EZPJ103 10KOHM 5% 1/10
		R406	0RJ0000D677	MCR03EZPJ000 0OHM 5% 1/10W
		R407	0RJ1202D677	MCR03EZPJ123 12KOHM 5% 1/10
		R408	0RJ1000D677	MCR03EZPJ101 100OHM 5% 1/10
		R409	0RJ1000D677	MCR03EZPJ101 100OHM 5% 1/10
		R410	0RJ1000D677	MCR03EZPJ101 100OHM 5% 1/10
		R411	0RJ1000D677	MCR03EZPJ101 100OHM 5% 1/10
		R422	0RJ1001D677	MCR03EZPJ102 1KOHM 5% 1/10W
		R443	0RJ1001D677	MCR03EZPJ102 1KOHM 5% 1/10W
		R445	0RJ0000D677	MCR03EZPJ000 0OHM 5% 1/10W
		R446	0RJ0000D677	MCR03EZPJ000 0OHM 5% 1/10W
		R500	0RJ1002D677	MCR03EZPJ103 10KOHM 5% 1/10
		R501	0RJ1002D677	MCR03EZPJ103 10KOHM 5% 1/10
		R502	0RJ0000D677	MCR03EZPJ000 0OHM 5% 1/10W
		R503	0RJ0000D677	MCR03EZPJ000 0OHM 5% 1/10W
		R504	0RJ5101D677	MCR03EZPJ512 5.1KOHM 5% 1/1
		R505	0RJ1002D677	MCR03EZPJ103 10KOHM 5% 1/10
		R506	0RJ5101D677	MCR03EZPJ512 5.1KOHM 5% 1/1
		R507	0RJ1002D677	MCR03EZPJ103 10KOHM 5% 1/10
		R508	0RJ1002D677	MCR03EZPJ103 10KOHM 5% 1/10
		R509	0RJ1002D677	MCR03EZPJ103 10KOHM 5% 1/10
		R510	0RJ1002D677	MCR03EZPJ103 10KOHM 5% 1/10
		R511	0RJ1002D677	MCR03EZPJ103 10KOHM 5% 1/10
		R514	0RJ0000G676	MCR18EZHJ000_0OHM 5% 1/4W
		R515	0RJ0000G676	MCR18EZHJ000_0OHM 5% 1/4W
		R516	0RJ0000G676	MCR18EZHJ000_0OHM 5% 1/4W
		R517	0RJ0000G676	MCR18EZHJ000_0OHM 5% 1/4W
		R518	0RJ1201D677	MCR03EZPJ122 1.2KOHM 5% 1/1
		R519	0RJ1801D677	MCR03EZPJ182 1.8KOHM 5% 1/1
		R520	0RJ4701D677	MCR03EZPJ472 4.7KOHM 5% 1/1
		R521	0RJ9100D677	MCR03EZPJ911 910OHM 5% 1/10
		R522	0RJ9311D477	MCR03EZPF9311 9.31KOHM 1% 1
		R531	0RJ1001D677	MCR03EZPJ102 1KOHM 5% 1/10W
		R536	0RJ4701D677	MCR03EZPJ472 4.7KOHM 5% 1/1

DATE: 2006. 05. 01.				
*S	*AL	LOC. NO.	PART NO.	DESCRIPTION / SPECIFICATION
		R538	0RJ2001D677	MCR03EZPJ202 2KOHM 5% 1/10W
		R539	0RJ2001D677	MCR03EZPJ202 2KOHM 5% 1/10W
		R542	0RJ0000D677	MCR03EZPJ000 0OHM 5% 1/10W
		R544	0RJ1000D677	MCR03EZPJ101 100OHM 5% 1/10
		R545	0RJ0000D677	MCR03EZPJ000 0OHM 5% 1/10W
		R546	0RJ1000D677	MCR03EZPJ101 100OHM 5% 1/10
		R547	0RJ0000D677	MCR03EZPJ000 0OHM 5% 1/10W
		R548	0RJ2000D677	MCR03EZPJ201 200OHM 5% 1/10
		R549	0RJ2000D677	MCR03EZPJ201 200OHM 5% 1/10
		R550	0RJ2000D677	MCR03EZPJ201 200OHM 5% 1/10
		R551	0RJ2000D677	MCR03EZPJ201 200OHM 5% 1/10
		R552	0RJ2000D677	MCR03EZPJ201 200OHM 5% 1/10
		R553	0RJ2000D677	MCR03EZPJ201 200OHM 5% 1/10
		R554	0RJ2000D677	MCR03EZPJ201 200OHM 5% 1/10
		R555	0RJ2000D677	MCR03EZPJ201 200OHM 5% 1/10
		R556	0RJ1000D677	MCR03EZPJ101 100OHM 5% 1/10
		R557	0RJ1000D677	MCR03EZPJ101 100OHM 5% 1/10
		R558	0RJ1000D677	MCR03EZPJ101 100OHM 5% 1/10
		R564	0RJ1000D677	MCR03EZPJ101 100OHM 5% 1/10
		R565	0RJ1000D677	MCR03EZPJ101 100OHM 5% 1/10
		R568	0RJ0822D677	MCR03EZPJ820 820OHM 5% 1/10W
		R571	0RJ0000G676	MCR18EZHJ000_0OHM 5% 1/4W
		R572	0RJ0000G676	MCR18EZHJ000_0OHM 5% 1/4W
		R600	0RJ1000D677	MCR03EZPJ101 100OHM 5% 1/10
		R601	0RJ0222D677	MCR03EZPJ220 220OHM 5% 1/10W
		R602	0RJ0000D677	MCR03EZPJ000 0OHM 5% 1/10W
		R603	0RJ1000D677	MCR03EZPJ101 100OHM 5% 1/10
		R604	0RJ0000D677	MCR03EZPJ000 0OHM 5% 1/10W
		R605	0RJ0000D677	MCR03EZPJ000 0OHM 5% 1/10W
		R607	0RJ1000D677	MCR03EZPJ101 100OHM 5% 1/10
		R608	0RJ1000D677	MCR03EZPJ101 100OHM 5% 1/10
		R609	0RJ1000D677	MCR03EZPJ101 100OHM 5% 1/10
		R611	0RJ1000D677	MCR03EZPJ101 100OHM 5% 1/10
		R629	0RJ1000D677	MCR03EZPJ101 100OHM 5% 1/10
		R630	0RJ1000D677	MCR03EZPJ101 100OHM 5% 1/10
		R631	0RJ1000D677	MCR03EZPJ101 100OHM 5% 1/10
		R632	0RJ1000D677	MCR03EZPJ101 100OHM 5% 1/10
		R633	0RJ0000D677	MCR03EZPJ000 0OHM 5% 1/10W
		R634	0RJ1000D677	MCR03EZPJ101 100OHM 5% 1/10
		R635	0RJ0000D677	MCR03EZPJ000 0OHM 5% 1/10W
		R636	0RJ0222D677	MCR03EZPJ220 220OHM 5% 1/10W
		R637	0RJ0000D677	MCR03EZPJ000 0OHM 5% 1/10W
		R638	0RJ0000D677	MCR03EZPJ000 0OHM 5% 1/10W
		R639	0RJ0000D677	MCR03EZPJ000 0OHM 5% 1/10W
		R640	0RJ0000D677	MCR03EZPJ000 0OHM 5% 1/10W
		R641	0RJ4701D677	MCR03EZPJ472 4.7KOHM 5% 1/1
		R642	0RJ3301D677	MCR03EZPJ332 3.3KOHM 5% 1/1
		R644	0RJ1000D677	MCR03EZPJ101 100OHM 5% 1/10
		R645	0RJ1000D677	MCR03EZPJ101 100OHM 5% 1/10
		R646	0RJ3301D677	MCR03EZPJ332 3.3KOHM 5% 1/1
		R650	0RJ0000D677	MCR03EZPJ000 0OHM 5% 1/10W
		R653	0RJ0622D677	MCR03EZPJ620 620OHM 5% 1/10W
		R654	0RJ0752D677	MCR03EZPJ750 750OHM 5% 1/10W
		R655	0RJ0000D677	MCR03EZPJ000 0OHM 5% 1/10W
		R656	0RJ0752D677	MCR03EZPJ750 750OHM 5% 1/10W
		R657	0RJ0222D677	MCR03EZPJ220 220OHM 5% 1/10W
		R659	0RJ0000D677	MCR03EZPJ000 0OHM 5% 1/10W
		R660	0RJ0000D677	MCR03EZPJ000 0OHM 5% 1/10W
		R662	0RJ0000D677	MCR03EZPJ000 0OHM 5% 1/10W
		R663	0RJ0000D677	MCR03EZPJ000 0OHM 5% 1/10W
		R665	0RJ0000D677	MCR03EZPJ000 0OHM 5% 1/10W
		R666	0RJ0000D677	MCR03EZPJ000 0OHM 5% 1/10W
		R670	0RJ0000D677	MCR03EZPJ000 0OHM 5% 1/10W
		R703	0RJ1002D677	MCR03EZPJ103 10KOHM 5% 1/10
		R704	0RJ1002D677	MCR03EZPJ103 10KOHM 5% 1/10
		R711	0RJ0000D677	MCR03EZPJ000 0OHM 5% 1/10W
		R713	0RJ1000D677	MCR03EZPJ101 100OHM 5% 1/10
		R714	0RJ1000D677	MCR03EZPJ101 100OHM 5% 1/10
		R715	0RJ0000D677	MCR03EZPJ000 0OHM 5% 1/10W
		R719	0RJ0000D677	MCR03EZPJ000 0OHM 5% 1/10W
		R720	0RJ1002D677	MCR03EZPJ103 10KOHM 5% 1/10
		R721	0RJ1002D677	MCR03EZPJ103 10KOHM 5% 1/10
		R722	0RJ1002D677	MCR03EZPJ103 10KOHM 5% 1/10
		R723	0RJ1002D677	MCR03EZPJ103 10KOHM 5% 1/10

DATE: 2006. 05. 01.				
*S	*AL	LOC. NO.	PART NO.	DESCRIPTION / SPECIFICATION
		R724	0RJ1002D677	MCR03EZPJ103 10KOHM 5% 1/10
		R725	0RJ1002D677	MCR03EZPJ103 10KOHM 5% 1/10
		R726	0RJ1002D677	MCR03EZPJ103 10KOHM 5% 1/10
		R727	0RJ1002D677	MCR03EZPJ103 10KOHM 5% 1/10
		R729	0RJ0562D677	MCR03EZPJ560 56OHM 5% 1/10W
		R730	0RJ1002D677	MCR03EZPJ103 10KOHM 5% 1/10
		R731	0RJ0222D677	MCR03EZPJ220 22OHM 5% 1/10W
		R732	0RJ0222D677	MCR03EZPJ220 22OHM 5% 1/10W
		R733	0RJ0222D677	MCR03EZPJ220 22OHM 5% 1/10W
		R734	0RJ0562D677	MCR03EZPJ560 56OHM 5% 1/10W
		R735	0RJ0222D677	MCR03EZPJ220 22OHM 5% 1/10W
		R736	0RJ0222D677	MCR03EZPJ220 22OHM 5% 1/10W
		R737	0RJ0222D677	MCR03EZPJ220 22OHM 5% 1/10W
		R739	0RJ0562D677	MCR03EZPJ560 56OHM 5% 1/10W
		R740	0RJ0222D677	MCR03EZPJ220 22OHM 5% 1/10W
		R741	0RJ0222D677	MCR03EZPJ220 22OHM 5% 1/10W
		R742	0RJ0222D677	MCR03EZPJ220 22OHM 5% 1/10W
		R744	0RJ0562D677	MCR03EZPJ560 56OHM 5% 1/10W
		R745	0RJ0222D677	MCR03EZPJ220 22OHM 5% 1/10W
		R746	0RJ0000D677	MCR03EZPJ000 0OHM 5% 1/10W
		R747	0RJ0222D677	MCR03EZPJ220 22OHM 5% 1/10W
		R748	0RJ0000D677	MCR03EZPJ000 0OHM 5% 1/10W
		R749	0RJ0000D677	MCR03EZPJ000 0OHM 5% 1/10W
		R750	0RJ0222D677	MCR03EZPJ220 22OHM 5% 1/10W
		R751	0RJ0222D677	MCR03EZPJ220 22OHM 5% 1/10W
		R752	0RJ0222D677	MCR03EZPJ220 22OHM 5% 1/10W
		R754	0RJ0222D677	MCR03EZPJ220 22OHM 5% 1/10W
		R755	0RJ0222D677	MCR03EZPJ220 22OHM 5% 1/10W
		R756	0RJ0222D677	MCR03EZPJ220 22OHM 5% 1/10W
		R758	0RJ0222D677	MCR03EZPJ220 22OHM 5% 1/10W
		R759	0RJ0222D677	MCR03EZPJ220 22OHM 5% 1/10W
		R760	0RJ0222D677	MCR03EZPJ220 22OHM 5% 1/10W
		R762	0RJ0000D677	MCR03EZPJ000 0OHM 5% 1/10W
		R765	0RJ0000D677	MCR03EZPJ000 0OHM 5% 1/10W
		R776	0RJ0000D677	MCR03EZPJ000 0OHM 5% 1/10W
		R777	0RJ0000D677	MCR03EZPJ000 0OHM 5% 1/10W
		R778	0RJ0000D677	MCR03EZPJ000 0OHM 5% 1/10W
		R779	0RJ0222D677	MCR03EZPJ220 22OHM 5% 1/10W
		R782	0RJ0222D677	MCR03EZPJ220 22OHM 5% 1/10W
		R783	0RJ0222D677	MCR03EZPJ220 22OHM 5% 1/10W
		R786	0RJ4701D677	MCR03EZPJ472 4.7KOHM 5% 1/1
		R787	0RJ4701D677	MCR03EZPJ472 4.7KOHM 5% 1/1
		R789	0RJ0222D677	MCR03EZPJ220 22OHM 5% 1/10W
		R790	0RJ0000D677	MCR03EZPJ000 0OHM 5% 1/10W
		R800	0RJ0000D677	MCR03EZPJ000 0OHM 5% 1/10W
		R801	0RJ1002D677	MCR03EZPJ103 10KOHM 5% 1/10
		R802	0RJ1002D677	MCR03EZPJ103 10KOHM 5% 1/10
		R807	0RJ0000D677	MCR03EZPJ000 0OHM 5% 1/10W
		R813	0RJ4701D677	MCR03EZPJ472 4.7KOHM 5% 1/1
		R814	0RJ0000D677	MCR03EZPJ000 0OHM 5% 1/10W
		R815	0RJ4701D677	MCR03EZPJ472 4.7KOHM 5% 1/1
		R817	0RJ0222D677	MCR03EZPJ220 22OHM 5% 1/10W
		R818	0RJ0222D677	MCR03EZPJ220 22OHM 5% 1/10W
		R819	0RJ0222D677	MCR03EZPJ220 22OHM 5% 1/10W
		R820	0RJ0222D677	MCR03EZPJ220 22OHM 5% 1/10W
		R821	0RJ0562D677	MCR03EZPJ560 56OHM 5% 1/10W
		R822	0RJ0222D677	MCR03EZPJ220 22OHM 5% 1/10W
		R823	0RJ0222D677	MCR03EZPJ220 22OHM 5% 1/10W
		R824	0RJ0222D677	MCR03EZPJ220 22OHM 5% 1/10W
		R825	0RJ0222D677	MCR03EZPJ220 22OHM 5% 1/10W
		R826	0RJ0562D677	MCR03EZPJ560 56OHM 5% 1/10W
		R827	0RJ0222D677	MCR03EZPJ220 22OHM 5% 1/10W
		R828	0RJ0222D677	MCR03EZPJ220 22OHM 5% 1/10W
		R829	0RJ0222D677	MCR03EZPJ220 22OHM 5% 1/10W
		R830	0RJ0222D677	MCR03EZPJ220 22OHM 5% 1/10W
		R831	0RJ0562D677	MCR03EZPJ560 56OHM 5% 1/10W
		R832	0RJ0000D677	MCR03EZPJ000 0OHM 5% 1/10W
		R835	0RJ1001D677	MCR03EZPJ102 1KOHM 5% 1/10W
		R836	0RJ0562D677	MCR03EZPJ560 56OHM 5% 1/10W
		R840	0RJ1002D677	MCR03EZPJ103 10KOHM 5% 1/10
		R847	0RJ1002D677	MCR03EZPJ103 10KOHM 5% 1/10
		R848	0RJ1002D677	MCR03EZPJ103 10KOHM 5% 1/10
		R849	0RJ0222D677	MCR03EZPJ220 22OHM 5% 1/10W
		R857	0RJ0222D677	MCR03EZPJ220 22OHM 5% 1/10W

DATE: 2006. 05. 01.				
*S	*AL	LOC. NO.	PART NO.	DESCRIPTION / SPECIFICATION
		R858	0RJ0222D677	MCR03EZPJ220 22OHM 5% 1/10W
		R887	0RJ0222D677	MCR03EZPJ220 22OHM 5% 1/10W
		R888	0RJ0222D677	MCR03EZPJ220 22OHM 5% 1/10W
		R890	0RJ0000D677	MCR03EZPJ000 0OHM 5% 1/10W
		R891	0RJ0000D677	MCR03EZPJ000 0OHM 5% 1/10W
		R897	0RJ0222D677	MCR03EZPJ220 22OHM 5% 1/10W
		R898	0RJ0222D677	MCR03EZPJ220 22OHM 5% 1/10W
		R900	0RJ1002D677	MCR03EZPJ103 10KOHM 5% 1/10
		R903	0RJ0000D677	MCR03EZPJ000 0OHM 5% 1/10W
		R904	0RJ0000D677	MCR03EZPJ000 0OHM 5% 1/10W
		R905	0RJ0000D677	MCR03EZPJ000 0OHM 5% 1/10W
		R906	0RJ0000D677	MCR03EZPJ000 0OHM 5% 1/10W
		R907	0RJ0000D677	MCR03EZPJ000 0OHM 5% 1/10W
		R908	0RJ0222D677	MCR03EZPJ220 22OHM 5% 1/10W
		R909	0RJ0222D677	MCR03EZPJ220 22OHM 5% 1/10W
		R910	0RJ0222D677	MCR03EZPJ220 22OHM 5% 1/10W
		R912	0RJ0000D677	MCR03EZPJ000 0OHM 5% 1/10W
		R915	0RJ0000D677	MCR03EZPJ000 0OHM 5% 1/10W
		R919	0RJ2700D677	MCR03EZPJ271 270OHM 5% 1/10
		R927	0RJ0222D677	MCR03EZPJ220 22OHM 5% 1/10W
		R928	0RJ0222D677	MCR03EZPJ220 22OHM 5% 1/10W
		R929	0RJ0222D677	MCR03EZPJ220 22OHM 5% 1/10W
		R930	0RJ1001D677	MCR03EZPJ102 1KOHM 5% 1/10W
		R931	0RJ1001D677	MCR03EZPJ102 1KOHM 5% 1/10W
		R935	0RJ1002D677	MCR03EZPJ103 10KOHM 5% 1/10
		R943	0RJ0000D677	MCR03EZPJ000 0OHM 5% 1/10W
		R945	0RJ0000D677	MCR03EZPJ000 0OHM 5% 1/10W
		R946	0RJ0000D677	MCR03EZPJ000 0OHM 5% 1/10W
		R947	0RJ0000D677	MCR03EZPJ000 0OHM 5% 1/10W
		R948	0RJ0000D677	MCR03EZPJ000 0OHM 5% 1/10W
		R954	0RJ0000D677	MCR03EZPJ000 0OHM 5% 1/10W
		R955	0RJ0000D677	MCR03EZPJ000 0OHM 5% 1/10W
		SW100	6600VR1004A	SKHMPWE010 1C1P 12VDC 0.05A
		SW700	6600VR1004A	SKHMPWE010 1C1P 12VDC 0.05A
		SW800	6600VR1004A	SKHMPWE010 1C1P 12VDC 0.05A
OTHERS				
		D1003	0DL233309AC	SAM2333 RED/Y-GREEN 2.7V 2.
		LED300	0DL233309AC	SAM2333 RED/Y-GREEN 2.7V 2.
		LED500	0DL233309AC	SAM2333 RED/Y-GREEN 2.7V 2.
		LED501	0DL233309AC	SAM2333 RED/Y-GREEN 2.7V 2.
		LED502	0DL233309AC	SAM2333 RED/Y-GREEN 2.7V 2.
		X100	6212AA2998A	HXL-308 32.768MHZ 10PPM 32.
		X101	6212AB2883A	HC-49SM 27.00000MHZ 27MHZ 3
		X1200	6212AB2883A	HC-49SM 27.00000MHZ 27MHZ 3
		X700	6212AB2015J	HC-49SM 19.66080HZ 19.6608H
		X800	6212AB2015J	HC-49SM 19.66080HZ 19.6608H
		TU300	6700DF0003A	TDFB-G306P DVB(OFDM) 100000
JACK BOARD				
CAPACITOR				
		C118	0CE106WH6DC	MVK5.0TP25VC10M 10uF 20% 25
		C119	0CE106WH6DC	MVK5.0TP25VC10M 10uF 20% 25
		C120	0CE106WH6DC	MVK5.0TP25VC10M 10uF 20% 25
		C121	0CE106WH6DC	MVK5.0TP25VC10M 10uF 20% 25
		C126	0CE107WF6DC	MVK6.3TP16VC100M 100uF 20%
		C131	0CE106WH6DC	MVK5.0TP25VC10M 10uF 20% 25
		C132	0CE106WH6DC	MVK5.0TP25VC10M 10uF 20% 25
		C140	0CE226WF6DC	MVK5.0TP16VC22M 22uF 20% 16
		C1430	0CE227WJ6DC	MVK10TP35VC220M 220uF 20% 3
		C1431	0CE227WJ6DC	MVK10TP35VC220M 220uF 20% 3
		C1432	0CE227WJ6DC	MVK10TP35VC220M 220uF 20% 3
		C1433	0CE227WJ6DC	MVK10TP35VC220M 220uF 20% 3
		C1439	0CE107WF6DC	MVK6.3TP16VC100M 100uF 20%
		C144	0CE226WF6DC	MVK5.0TP16VC22M 22uF 20% 16
		C1443	0CE476WF6DC	MVK6.3TP16VC47M 47uF 20% 16
		C150	0CE107WF6DC	MVK6.3TP16VC100M 100uF 20%
		C152	0CE107WF6DC	MVK6.3TP16VC100M 100uF 20%
		C153	0CE107WF6DC	MVK6.3TP16VC100M 100uF 20%
		C201	0CE475WK6DC	MVK5.0TP50VC4.7M 4.7uF 20%
		C203	0CE227SF6DC	MVG6.3TP16VC220M 220uF 20%

DATE: 2006. 05. 01.				
*S	*AL	LOC. NO.	PART NO.	DESCRIPTION / SPECIFICATION
		C204	0CE105WK6DC	MVK6.0TP50VC1M 1uF 20% 50V
		C212	0CE227SF6DC	MVG6.3TP16VC220M 220uF 20%
		C216	0CE107WF6DC	MVK6.3TP16VC100M 100uF 20%
		C221	0CE476WK6DC	MVK6.0TP50VC47M 47uF 20% 50
		C225	0CE476WF6DC	MVK6.3TP16VC47M 47uF 20% 16
		C228	0CE476WF6DC	MVK6.3TP16VC47M 47uF 20% 16
		C230	0CE477SF6DC	VMV477M016S0ANG030 470uF 20
		C302	0CE107WF6DC	MVK6.3TP16VC100M 100uF 20%
		C304	0CE226WF6DC	MVK5.0TP16VC22M 22uF 20% 16
		C305	0CE107WF6DC	MVK6.3TP16VC100M 100uF 20%
		C308	0CE476WF6DC	MVK6.3TP16VC47M 47uF 20% 16
		C343	0CE105WK6DC	MVK4.0TP50VC1M 1uF 20% 50V
		C344	0CE105WK6DC	MVK4.0TP50VC1M 1uF 20% 50V
		C349	0CE476WF6DC	MVK6.3TP16VC47M 47uF 20% 16
		C351	0CE475WK6DC	MVK5.0TP50VC4.7M 4.7uF 20%
		C353	0CE475WK6DC	MVK5.0TP50VC4.7M 4.7uF 20%
		C406	0CE226WF6DC	MVK5.0TP16VC22M 22uF 20% 16
		C416	0CE107WF6DC	MVK6.3TP16VC100M 100uF 20%
		C417	0CE335SK6DC	VMV335M050S0ANB010 3.3uF 20
		C424	0CE226WF6DC	MVK5.0TP16VC22M 22uF 20% 16
		C440	0CE106WH6DC	MVK5.0TP25VC10M 10uF 20% 25
		C447	0CE335WK6D8	MVK4.0TP50VC3.3M 3.3uF 20%
		C448	0CE107WF6DC	MVK6.3TP16VC100M 100uF 20%
		C452	0CE107WF6DC	MVK6.3TP16VC100M 100uF 20%
		C455	0CE106WH6DC	MVK5.0TP25VC10M 10uF 20% 25
		C456	0CE106WH6DC	MVK5.0TP25VC10M 10uF 20% 25
		C458	0CE106WH6DC	MVK5.0TP25VC10M 10uF 20% 25
		C467	0CE475WK6DC	MVK5.0TP50VC4.7M 4.7uF 20%
		C468	0CE475WK6DC	MVK5.0TP50VC4.7M 4.7uF 20%
		C469	0CE475WK6DC	MVK5.0TP50VC4.7M 4.7uF 20%
		C492	0CE475WK6DC	MVK5.0TP50VC4.7M 4.7uF 20%
		C494	0CE475WK6DC	MVK5.0TP50VC4.7M 4.7uF 20%
		C512	0CE476WF6DC	MVK6.3TP16VC47M 47uF 20% 16
		C530	0CE475WK6DC	MVK5.0TP50VC4.7M 4.7uF 20%
		C531	0CE475WK6DC	MVK5.0TP50VC4.7M 4.7uF 20%
		C602	0CE107WF6DC	MVK6.3TP16VC100M 100uF 20%
		C607	0CE107VH6DC	VG107M025S0ANG020 100uF 20
		C608	0CE227SF6DC	MVG6.3TP16VC220M 220uF 20%
		C609	0CE227SF6DC	MVG6.3TP16VC220M 220uF 20%
		C610	0CE227SF6DC	MVG6.3TP16VC220M 220uF 20%
		C612	0CE107VH6DC	VG107M025S0ANG020 100uF 20
		C614	0CE107WF6DC	MVK6.3TP16VC100M 100uF 20%
		C627	0CE107WF6DC	MVK6.3TP16VC100M 100uF 20%
		C628	0CE107WF6DC	MVK6.3TP16VC100M 100uF 20%
		C636	0CE107WF6DC	MVK6.3TP16VC100M 100uF 20%
		C637	0CE107WF6DC	MVK6.3TP16VC100M 100uF 20%
		C641	0CE107WF6DC	MVK6.3TP16VC100M 100uF 20%
		C655	0CE107WF6DC	MVK6.3TP16VC100M 100uF 20%
		C656	0CE107WF6DC	MVK6.3TP16VC100M 100uF 20%
		C658	0CE107WF6DC	MVK6.3TP16VC100M 100uF 20%
		C109	0CK103CK56A	0603B103K500CT 10nF 10% 50V
		C110	0CK102CK56A	0603B102K500CT 1nF 10% 50V
		C111	0CK103CK56A	0603B103K500CT 10nF 10% 50V
		C112	0CK102CK56A	0603B102K500CT 1nF 10% 50V
		C113	0CK103CK56A	0603B103K500CT 10nF 10% 50V
		C114	0CK102CK56A	0603B102K500CT 1nF 10% 50V
		C115	0CK103CK56A	0603B103K500CT 10nF 10% 50V
		C116	0CK102CK56A	0603B102K500CT 1nF 10% 50V
		C117	0CK104CK56A	0603B104K500CT 100nF 10% 50
		C127	0CK103CK56A	0603B103K500CT 10nF 10% 50V
		C128	0CK102CK56A	0603B102K500CT 1nF 10% 50V
		C129	0CK103CK56A	0603B103K500CT 10nF 10% 50V
		C130	0CK102CK56A	0603B102K500CT 1nF 10% 50V
		C135	0CK103CK56A	0603B103K500CT 10nF 10% 50V
		C136	0CK103CK56A	0603B103K500CT 10nF 10% 50V
		C1400	0CK104CK56A	0603B104K500CT 100nF 10% 50
		C1401	0CK103CK56A	0603B103K500CT 10nF 10% 50V
		C1404	0CK471CK56A	C1608X7R1H471KT 470pF 10% 5
		C1405	0CK104CK56A	0603B104K500CT 100nF 10% 50
		C1407	0CK471CK56A	C1608X7R1H471KT 470pF 10% 5
		C1408	0CK103CK56A	0603B103K500CT 10nF 10% 50V
		C1409	0CK103CK56A	0603B103K500CT 10nF 10% 50V
		C141	0CK103CK56A	0603B103K500CT 10nF 10% 50V
		C1411	0CK103CK56A	0603B103K500CT 10nF 10% 50V

DATE: 2006. 05. 01.				
*S	*AL	LOC. NO.	PART NO.	DESCRIPTION / SPECIFICATION
		C1412	0CK103CK56A	0603B103K500CT 10nF 10% 50V
		C1417	0CK102CK56A	0603B102K500CT 1nF 10% 50V
		C1418	0CK102CK56A	0603B102K500CT 1nF 10% 50V
		C1419	0CK104CK56A	0603B104K500CT 100nF 10% 50
		C142	0CK104CK56A	0603B104K500CT 100nF 10% 50
		C143	0CK104CK56A	0603B104K500CT 100nF 10% 50
		C1434	0CC331CK41A	C1608C0G1H331JT 330pF 5% 50
		C145	0CK104CK56A	0603B104K500CT 100nF 10% 50
		C154	0CC221CK41A	C1608C0G1H221JT 220pF 5% 50
		C155	0CC221CK41A	C1608C0G1H221JT 220pF 5% 50
		C156	0CC331CK41A	C1608C0G1H331JT 330pF 5% 50
		C157	0CC221CK41A	C1608C0G1H221JT 220pF 5% 50
		C159	0CC331CK41A	C1608C0G1H331JT 330pF 5% 50
		C169	0CC101CK41A	C1608C0G1H101JT 100pF 5% 50
		C205	0CK103CK56A	0603B103K500CT 10nF 10% 50V
		C206	0CK103CK56A	0603B103K500CT 10nF 10% 50V
		C207	0CC270CK41A	C1608C0G1H270JT 27pF 5% 50V
		C208	0CC270CK41A	C1608C0G1H270JT 27pF 5% 50V
		C210	0CC101CK41A	C1608C0G1H101JT 100pF 5% 50
		C211	0CK103CK56A	0603B103K500CT 10nF 10% 50V
		C213	0CK103CK56A	0603B103K500CT 10nF 10% 50V
		C214	0CK103CK56A	0603B103K500CT 10nF 10% 50V
		C215	0CK153CK56A	0603B153K500CT 15nF 10% 50V
		C217	0CK104CK56A	0603B104K500CT 100nF 10% 50
		C222	0CK104CK56A	0603B104K500CT 100nF 10% 50
		C224	0CC271CK41A	C1608C0G1H271JT 270pF 5% 50
		C226	0CK104CK56A	0603B104K500CT 100nF 10% 50
		C227	0CK104CK56A	0603B104K500CT 100nF 10% 50
		C229	0CK104CK56A	0603B104K500CT 100nF 10% 50
		C300	0CK103CK56A	0603B103K500CT 10nF 10% 50V
		C301	0CK103CK56A	0603B103K500CT 10nF 10% 50V
		C303	0CK103CK56A	0603B103K500CT 10nF 10% 50V
		C306	0CK104CF56A	0603B104K160CT 100nF 10% 16
		C307	0CK104CF56A	0603B104K160CT 100nF 10% 16
		C309	0CK103CK56A	0603B103K500CT 10nF 10% 50V
		C310	0CK474CH94A	0603F474Z250CT 470nF -20TO+
		C311	0CK104CF56A	0603B104K160CT 100nF 10% 16
		C312	0CK225DFK4A	C2012Y5V1C225MT 2.2uF 20% 1
		C313	0CK474CH94A	0603F474Z250CT 470nF -20TO+
		C317	0CK225DFK4A	C2012Y5V1C225MT 2.2uF 20% 1
		C318	0CK474CH94A	0603F474Z250CT 470nF -20TO+
		C319	0CK225DFK4A	C2012Y5V1C225MT 2.2uF 20% 1
		C320	0CK474CH94A	0603F474Z250CT 470nF -20TO+
		C321	0CK474CH94A	0603F474Z250CT 470nF -20TO+
		C346	0CK103CK56A	0603B103K500CT 10nF 10% 50V
		C347	0CC151CK41A	C1608C0G1H151JT 150pF 5% 50
		C348	0CK104CF56A	0603B104K160CT 100nF 10% 16
		C350	0CK104CF56A	0603B104K160CT 100nF 10% 16
		C352	0CK682CK51A	C1608Y5P1H682KT 6.8nF 10% 5
		C354	0CK682CK51A	C1608Y5P1H682KT 6.8nF 10% 5
		C355	0CC820CK41A	C1608C0G1H820JT 82pF 5% 50V
		C402	0CK103CK56A	0603B103K500CT 10nF 10% 50V
		C410	0CK104CK56A	0603B104K500CT 100nF 10% 50
		C411	0CK104CK56A	0603B104K500CT 100nF 10% 50
		C412	0CC560CK41A	C1608C0G1H560JT 56pF 5% 50V
		C413	0CC560CK41A	C1608C0G1H560JT 56pF 5% 50V
		C414	0CK104CK56A	0603B104K500CT 100nF 10% 50
		C415	0CK104CK56A	0603B104K500CT 100nF 10% 50
		C420	0CK103CK56A	0603B103K500CT 10nF 10% 50V
		C427	0CK104CK56A	0603B104K500CT 100nF 10% 50
		C431	0CK103CK56A	0603B103K500CT 10nF 10% 50V
		C436	0CC101CK41A	C1608C0G1H101JT 100pF 5% 50
		C442	0CK105DF64A	0805F105Z160CT 1uF -20TO+80
		C443	0CK104CK56A	0603B104K500CT 100nF 10% 50
		C445	0CK471CK56A	C1608X7R1H471KT 470pF 10% 5
		C446	0CK104CK56A	0603B104K500CT 100nF 10% 50
		C451	0CK104CK56A	0603B104K500CT 100nF 10% 50
		C453	0CK104CK56A	0603B104K500CT 100nF 10% 50
		C454	0CK104CK56A	0603B104K500CT 100nF 10% 50
		C457	0CK104CK56A	0603B104K500CT 100nF 10% 50
		C459	0CK104CK56A	0603B104K500CT 100nF 10% 50
		C463	0CK104CK56A	0603B104K500CT 100nF 10% 50
		C464	0CK102CK56A	0603B102K500CT 1nF 10% 50V
		C465	0CK104CK56A	0603B104K500CT 100nF 10% 50

DATE: 2006. 05. 01.				
*S	*AL	LOC. NO.	PART NO.	DESCRIPTION / SPECIFICATION
		C471	0CK104CK56A	0603B104K500CT 100nF 10% 50
		C473	0CK104CK56A	0603B104K500CT 100nF 10% 50
		C475	0CK104CK56A	0603B104K500CT 100nF 10% 50
		C476	0CK104CK56A	0603B104K500CT 100nF 10% 50
		C477	0CK104CK56A	0603B104K500CT 100nF 10% 50
		C478	0CK104CK56A	0603B104K500CT 100nF 10% 50
		C479	0CK104CK56A	0603B104K500CT 100nF 10% 50
		C482	0CK103CK56A	0603B103K500CT 10nF 10% 50V
		C485	0CK104CK56A	0603B104K500CT 100nF 10% 50
		C490	0CK474CH94A	0603F474Z250CT 470nF -20TO+
		C491	0CK474CH94A	0603F474Z250CT 470nF -20TO+
		C497	0CK104CK56A	0603B104K500CT 100nF 10% 50
		C498	0CK104CK56A	0603B104K500CT 100nF 10% 50
		C499	0CK104CK56A	0603B104K500CT 100nF 10% 50
		C502	0CK103CK56A	0603B103K500CT 10nF 10% 50V
		C503	0CK103CK56A	0603B103K500CT 10nF 10% 50V
		C505	0CC120CK41A	C1608C0G1H120JT 12pF 5% 50V
		C507	0CC120CK41A	C1608C0G1H120JT 12pF 5% 50V
		C511	0CK104CK56A	0603B104K500CT 100nF 10% 50
		C601	0CK104CK56A	0603B104K500CT 100nF 10% 50
		C603	0CK104CK56A	0603B104K500CT 100nF 10% 50
		C604	0CK104CK56A	0603B104K500CT 100nF 10% 50
		C605	0CK104CK56A	0603B104K500CT 100nF 10% 50
		C606	0CK104CK56A	0603B104K500CT 100nF 10% 50
		C615	0CK104CK56A	0603B104K500CT 100nF 10% 50
		C616	0CK104CK56A	0603B104K500CT 100nF 10% 50
		C617	0CK104CK56A	0603B104K500CT 100nF 10% 50
		C618	0CK104CK56A	0603B104K500CT 100nF 10% 50
		C619	0CK104CK56A	0603B104K500CT 100nF 10% 50
		C620	0CK104CK56A	0603B104K500CT 100nF 10% 50
		C622	0CK104CK56A	0603B104K500CT 100nF 10% 50
		C623	0CK103CK56A	0603B103K500CT 10nF 10% 50V
		C624	0CK103CK56A	0603B103K500CT 10nF 10% 50V
		C626	0CK103CK56A	0603B103K500CT 10nF 10% 50V
		C631	0CK104CK56A	0603B104K500CT 100nF 10% 50
		C633	0CK103CK56A	0603B103K500CT 10nF 10% 50V
		C634	0CK104CK56A	0603B104K500CT 100nF 10% 50
		C639	0CK104CK56A	0603B104K500CT 100nF 10% 50
		C644	0CK104CK56A	0603B104K500CT 100nF 10% 50
		C645	0CK104CK56A	0603B104K500CT 100nF 10% 50
		C650	0CK103CK56A	0603B103K500CT 10nF 10% 50V
		C651	0CK103CK56A	0603B103K500CT 10nF 10% 50V
		C1440	0CC470CK41A	C1608C0G1H470JT 47pF 5% 50V
		C218	0CK104CK56A	0603B104K500CT 100nF 10% 50
		C219	0CK104CK56A	0603B104K500CT 100nF 10% 50
		C220	0CC271CK41A	C1608C0G1H271JT 270pF 5% 50
		C316	0CK225DFK4A	C2012Y5V1C225MT 2.2uF 20% 1
		C322	0CK474CH94A	0603F474Z250CT 470nF -20TO+
		C323	0CK474CH94A	0603F474Z250CT 470nF -20TO+
		C324	0CK225DFK4A	C2012Y5V1C225MT 2.2uF 20% 1
		C325	0CK474CH94A	0603F474Z250CT 470nF -20TO+
		C326	0CK474CH94A	0603F474Z250CT 470nF -20TO+
		C327	0CK225DFK4A	C2012Y5V1C225MT 2.2uF 20% 1
		C328	0CK225DFK4A	C2012Y5V1C225MT 2.2uF 20% 1
		C329	0CK474CH94A	0603F474Z250CT 470nF -20TO+
		C330	0CK474CH94A	0603F474Z250CT 470nF -20TO+
		C331	0CK474CH94A	0603F474Z250CT 470nF -20TO+
		C332	0CK225DFK4A	C2012Y5V1C225MT 2.2uF 20% 1
		C333	0CK474CH94A	0603F474Z250CT 470nF -20TO+
		C334	0CK474CH94A	0603F474Z250CT 470nF -20TO+
		C335	0CK225DFK4A	C2012Y5V1C225MT 2.2uF 20% 1
		C336	0CK474CH94A	0603F474Z250CT 470nF -20TO+
		C337	0CK474CH94A	0603F474Z250CT 470nF -20TO+
		C338	0CK225DFK4A	C2012Y5V1C225MT 2.2uF 20% 1
		C339	0CK474CH94A	0603F474Z250CT 470nF -20TO+
		C341	0CK821CK56A	C1608X7R1H821KT 820pF 10% 5
		C342	0CK563CK56A	C1608X7R1H563KT 56nF 10% 50
		C345	0CK223CK56A	UMK107JB223KA-T 22nF 10% 50
		C404	0CC470CK41A	C1608C0G1H470JT 47pF 5% 50V
		C405	0CK104CK56A	0603B104K500CT 100nF 10% 50
		C407	0CH5100K416	0805N100J500LT 10pF 5% 50V
		C408	0CH5100K416	0805N100J500LT 10pF 5% 50V
		C409	0CK104CK56A	0603B104K500CT 100nF 10% 50
		C418	0CK474CH94A	0603F474Z250CT 470nF -20TO+

DATE: 2006. 05. 01.				
*S	*AL	LOC. NO.	PART NO.	DESCRIPTION / SPECIFICATION
		C419	0CK474CH94A	0603F474Z250CT 470nF -20TO+
		C421	0CK474CH94A	0603F474Z250CT 470nF -20TO+
		C423	0CK474CH94A	0603F474Z250CT 470nF -20TO+
		C426	0CK474CH94A	0603F474Z250CT 470nF -20TO+
		C429	0CK474CH94A	0603F474Z250CT 470nF -20TO+
		C432	0CK102CK56A	0603B102K500CT 1nF 10% 50V
		C433	0CK474CH94A	0603F474Z250CT 470nF -20TO+
		C435	0CK474CH94A	0603F474Z250CT 470nF -20TO+
		C437	0CC101CK41A	C1608C0G1H101JT 100pF 5% 50
		C444	0CK103CK56A	0603B103K500CT 10nF 10% 50V
		C449	0CK102CK56A	0603B102K500CT 1nF 10% 50V
		C450	0CK104CK56A	0603B104K500CT 100nF 10% 50
		C460	0CK105DF64A	0805F105Z160CT 1uF -20TO+80
		C461	0CK682CK51A	C1608Y5P1H682KT 6.8nF 10% 5
		C462	0CK682CK51A	C1608Y5P1H682KT 6.8nF 10% 5
		C466	0CK105DF64A	0805F105Z160CT 1uF -20TO+80
		C470	0CK682CK51A	C1608Y5P1H682KT 6.8nF 10% 5
		C474	0CK682CK51A	C1608Y5P1H682KT 6.8nF 10% 5
		C486	0CK333CK56A	C1608X7R1H333KT 33nF 10% 50
		C487	0CK333CK56A	C1608X7R1H333KT 33nF 10% 50
		C488	0CK333CK56A	C1608X7R1H333KT 33nF 10% 50
		C489	0CK333CK56A	C1608X7R1H333KT 33nF 10% 50
		C513	0CK104CK56A	0603B104K500CT 100nF 10% 50
		C514	0CK104CK56A	0603B104K500CT 100nF 10% 50
		C533	0CK682CK51A	C1608Y5P1H682KT 6.8nF 10% 5
		C535	0CK682CK51A	C1608Y5P1H682KT 6.8nF 10% 5
		C611	0CK104CK56A	0603B104K500CT 100nF 10% 50
		C647	0CK104CK56A	0603B104K500CT 100nF 10% 50
		C653	0CK103CK56A	0603B103K500CT 10nF 10% 50V
		C681	0CK103CK56A	0603B103K500CT 10nF 10% 50V
		C682	0CK104CK56A	0603B104K500CT 100nF 10% 50
		C495	0CF4741L430	PCMT365 76474 470nF 5% 63V
		C496	0CF4741L430	PCMT365 76474 470nF 5% 63V
DIODES				
		D100	0DS226009AA	KDS226 1.2V 85V 300MA 2A 4N
		D101	0DS226009AA	KDS226 1.2V 85V 300MA 2A 4N
		D103	0DS226009AA	KDS226 1.2V 85V 300MA 2A 4N
		D104	0DS226009AA	KDS226 1.2V 85V 300MA 2A 4N
		D109	0DS226009AA	KDS226 1.2V 85V 300MA 2A 4N
		D110	0DS226009AA	KDS226 1.2V 85V 300MA 2A 4N
		D111	0DS226009AA	KDS226 1.2V 85V 300MA 2A 4N
		D300	0DS226009AA	KDS226 1.2V 85V 300MA 2A 4N
		D500	0DS226009AA	KDS226 1.2V 85V 300MA 2A 4N
		D501	0DS226009AA	KDS226 1.2V 85V 300MA 2A 4N
		D502	0DS226009AA	KDS226 1.2V 85V 300MA 2A 4N
		D601	0DS226009AA	KDS226 1.2V 85V 300MA 2A 4N
		D607	0DS226009AA	KDS226 1.2V 85V 300MA 2A 4N
		D201	0DS113379BA	1S5133 1.2V 90V 400MA 600MA
		ZD301	0DR050008AA	SD05.TC -6V 14.5V 24A 350W
		ZD302	0DR050008AA	SD05.TC -6V 14.5V 24A 350W
		D102	0DZRM00178A	UDZS5.1B 5.1V 4.98TO5.2V 80
		D401	0DZRM00248A	RLZ8.2B 8.2V 7.78TO8.19V 80
		D504	0DZRM00178A	UDZS5.1B 5.1V 4.98TO5.2V 80
		D505	0DZRM00178A	UDZS5.1B 5.1V 4.98TO5.2V 80
		D506	0DZRM00178A	UDZS5.1B 5.1V 4.98TO5.2V 80
		D507	0DZ560009DA	UDZS5.6B 5.6V 5.49TO5.73V 6
		D508	0DZRM00178A	UDZS5.1B 5.1V 4.98TO5.2V 80
		ZD100	0DZRM00178A	UDZS5.1B 5.1V 4.98TO5.2V 80
		ZD101	0DZRM00178A	UDZS5.1B 5.1V 4.98TO5.2V 80
		ZD102	0DZRM00178A	UDZS5.1B 5.1V 4.98TO5.2V 80
IC				
		IC203	0IIPRP00602A	TPS2010ADR 2.7TO5.5V 8.6MSE
		IC300	0IISO206900A	CXA2069Q 8.5TO9.5V - - 1300
		IC403	0IILNR00015A	NSP-2100A 1.8VTO3.3V - - -
		IC405	0IIMCRTI028C	"TAS5122DCARG4.LF 3TO3.6V_16"
		IC502	0IIPH741400E	74HC14D 2TO6V 0.002mA SCHMI
		IC500	0IIMMRAL014D	AT24C02BN-10SU-1.8 2KBIT 25
		IC615	0IIPMGKE030A	KIA78R05F 6TO12V 5V 8W DPAK
		IC404	0IIMCRMN028C	MSP4450K 4V-D6 7.6TO8.7V_4.
		IC301	0IISA4721700C	LA7217M 4.5VTO5.5V 16.1KHZ

DATE: 2006. 05. 01.				
*S	*AL	LOC. NO.	PART NO.	DESCRIPTION / SPECIFICATION
		IC401 IC202 IC608	0IKE704200J 0IPMGON013B 0IMCRFA010A	KIA7042AF -0.3TO15V 4.2V 50 MC34063ADR2G 3TO40V 40V 625 KA7809R 11.5TO24V 9V 150W D
COIL & CORE & INDUCTOR				
L602			6140VB0004B	LN-15A1 26uH - - 12X9MM LEA
L100			6210VC0006A	FBMH3216 HM501NT 500OHM 3.2
L101			6210VC0006A	FBMH3216 HM501NT 500OHM 3.2
L110			6210VC0006A	FBMH3216 HM501NT 500OHM 3.2
L111			6210VC0006A	FBMH3216 HM501NT 500OHM 3.2
L116			6200JB8010L	MLB-201209-1000L-N2 1000OHM
L117			6200JB8010L	MLB-201209-1000L-N2 1000OHM
L122			6210VC0006A	FBMH3216 HM501NT 500OHM 3.2
L123			6200JB8010L	MLB-201209-1000L-N2 1000OHM
L124			6200JB8010L	MLB-201209-1000L-N2 1000OHM
L128			6210VC0005A	BK2125HS750-T 750OHM 2X1.25X
L129			6210VC0005A	BK2125HS750-T 750OHM 2X1.25X
L130			6210VC0005A	BK2125HS750-T 750OHM 2X1.25X
L131			6210VC0005A	BK2125HS750-T 750OHM 2X1.25X
L132			6210VC0005A	BK2125HS750-T 750OHM 2X1.25X
L201			6210VC0006A	FBMH3216 HM501NT 500OHM 3.2
L204			6210VC0006A	FBMH3216 HM501NT 500OHM 3.2
L232			6210VC0006A	FBMH3216 HM501NT 500OHM 3.2
L300			6210VC0006A	FBMH3216 HM501NT 500OHM 3.2
L301			6210VC0006A	FBMH3216 HM501NT 500OHM 3.2
L302			6200JB8010L	MLB-201209-1000L-N2 1000OHM
L401			6200J000013	MLB-321611-0500P-N2 500OHM
L402			6200J000013	MLB-321611-0500P-N2 500OHM
L404			6200J000013	MLB-321611-0500P-N2 500OHM
L405			6200J000013	MLB-321611-0500P-N2 500OHM
L406			6200J000013	MLB-321611-0500P-N2 500OHM
L407			6200J000013	MLB-321611-0500P-N2 500OHM
L421			6210TCE001G	HH-1M3216-501JT 500OHM 3.2X
L422			6210TCE001G	HH-1M3216-501JT 500OHM 3.2X
L423			6210TCE001S	HU-1M2012-121 120OHM 2X1.25
L424			6210TCE001S	HU-1M2012-121 120OHM 2X1.25
L425			6210TCE001S	HU-1M2012-121 120OHM 2X1.25
L426			6210TCE001S	HU-1M2012-121 120OHM 2X1.25
L500			6210VC0006A	FBMH3216 HM501NT 500OHM 3.2
L502			6200JB8010L	MLB-201209-1000L-N2 1000OHM
L503			6200JB8010L	MLB-201209-1000L-N2 1000OHM
L506			6210VC0006A	FBMH3216 HM501NT 500OHM 3.2
L601			6210VC0006A	FBMH3216 HM501NT 500OHM 3.2
L603			6210VC0006A	FBMH3216 HM501NT 500OHM 3.2
L604			6210VC0006A	FBMH3216 HM501NT 500OHM 3.2
L609			6210VC0006A	FBMH3216 HM501NT 500OHM 3.2
L610			6210VC0006A	FBMH3216 HM501NT 500OHM 3.2
L612			6210VC0006A	FBMH3216 HM501NT 500OHM 3.2
L616			6210VC0006A	FBMH3216 HM501NT 500OHM 3.2
L617			6210VC0006A	FBMH3216 HM501NT 500OHM 3.2
L620			6210VC0006A	FBMH3216 HM501NT 500OHM 3.2
L623			6210VC0006A	FBMH3216 HM501NT 500OHM 3.2
L624			6210VC0006A	FBMH3216 HM501NT 500OHM 3.2
L200			6210VC0006A	FBMH3216 HM501NT 500OHM 3.2
L202			6210VC0006A	FBMH3216 HM501NT 500OHM 3.2
L231			6210VC0006A	FBMH3216 HM501NT 500OHM 3.2
L403			6210TCE001G	HH-1M3216-501JT 500OHM 3.2X
L618			6210VC0006A	FBMH3216 HM501NT 500OHM 3.2
R426			6210TCE0013	HB-1M1608-121JT 120OHM 1.6X
L102			0LCML00020G	MLI-201209-3R3K 3.3UH 10% -
L103			0LCML00020G	MLI-201209-3R3K 3.3UH 10% -
L104			0LCML00020G	MLI-201209-3R3K 3.3UH 10% -
L105			0LCML00020G	MLI-201209-3R3K 3.3UH 10% -
L106			0LCML00020G	MLI-201209-3R3K 3.3UH 10% -
L107			0LCML00020G	MLI-201209-3R3K 3.3UH 10% -
L108			0LCML00020G	MLI-201209-3R3K 3.3UH 10% -
L109			0LCML00020G	MLI-201209-3R3K 3.3UH 10% -
L112			0LCML00020G	MLI-201209-3R3K 3.3UH 10% -
L113			0LCML00020G	MLI-201209-3R3K 3.3UH 10% -
L114			0LCML00020G	MLI-201209-3R3K 3.3UH 10% -
L115			0LCML00020G	MLI-201209-3R3K 3.3UH 10% -
L119			0LCML00020G	MLI-201209-3R3K 3.3UH 10% -
L120			0LCML00020G	MLI-201209-3R3K 3.3UH 10% -

DATE: 2006. 05. 01.				
*S	*AL	LOC. NO.	PART NO.	DESCRIPTION / SPECIFICATION
		L125	0LCML00020G	MLI-201209-3R3K 3.3UH 10% -
		L126	0LCML00020G	MLI-201209-3R3K 3.3UH 10% -
		L127	0LCML00020G	MLI-201209-3R3K 3.3UH 10% -
		L206	0LC0233002A	FI-B2012-332KJT 3.3UH 10% -
		L303	0LC1032101A	FI-C3216-103KJT 10UH 10% -
		L412	0LCML00020C	MLI-201212-100K 10UH 10% -
		L413	0LCML00020C	MLI-201212-100K 10UH 10% -
		L205	0LC6461201A	D75C-646CY-121M=P3 120UH 20
		L408	0LCTO00019A	D75C-646CY-220M=P3 22UH 20%
		L409	0LCTO00019A	D75C-646CY-220M=P3 22UH 20%
		L410	0LCTO00019A	D75C-646CY-220M=P3 22UH 20%
		L411	0LCTO00019A	D75C-646CY-220M=P3 22UH 20%
TRANSISTOR				
		IC200	0TR830009BA	BSS83 N-CHANNEL MOSFET 10V
		IC201	0TR830009BA	BSS83 N-CHANNEL MOSFET 10V
		IC503	0TR830009BA	BSS83 N-CHANNEL MOSFET 10V
		IC504	0TR830009BA	BSS83 N-CHANNEL MOSFET 10V
		IC505	0TR387500AA	2SC3875S(ALY) NPN 5V 60V 50
		IC507	0TR387500AA	2SC3875S(ALY) NPN 5V 60V 50
		Q100	0TR387500AA	2SC3875S(ALY) NPN 5V 60V 50
		Q101	0TR387500AA	2SC3875S(ALY) NPN 5V 60V 50
		Q105	0TR387500AA	2SC3875S(ALY) NPN 5V 60V 50
		Q106	0TR387500AA	2SC3875S(ALY) NPN 5V 60V 50
		Q107	0TR102009AM	KRA102S PNP -30V - -50V -0.
		Q204	0TR150400BA	2SA1504S(ASY) PNP -5V -50V
		Q205	0TR387500AA	2SC3875S(ALY) NPN 5V 60V 50
		Q206	0TR150400BA	2SA1504S(ASY) PNP -5V -50V
		Q207	0TR150400BA	2SA1504S(ASY) PNP -5V -50V
		Q302	0TR150400BA	2SA1504S(ASY) PNP -5V -50V
		Q303	0TR387500AA	2SC3875S(ALY) NPN 5V 60V 50
		Q304	0TR387500AA	2SC3875S(ALY) NPN 5V 60V 50
		Q305	0TR150400BA	2SA1504S(ASY) PNP -5V -50V
		Q306	0TR387500AA	2SC3875S(ALY) NPN 5V 60V 50
		Q307	0TR387500AA	2SC3875S(ALY) NPN 5V 60V 50
		Q401	0TR387500AA	2SC3875S(ALY) NPN 5V 60V 50
		Q414	0TR102009AM	KRA102S PNP -30V - -50V -0.
		Q415	0TR387500AA	2SC3875S(ALY) NPN 5V 60V 50
		Q300	0TR387500AA	2SC3875S(ALY) NPN 5V 60V 50
		Q301	0TR387500AA	2SC3875S(ALY) NPN 5V 60V 50
		Q402	0TR387500AA	2SC3875S(ALY) NPN 5V 60V 50
		Q403	0TR387500AA	2SC3875S(ALY) NPN 5V 60V 50
		Q406	0TR387500AA	2SC3875S(ALY) NPN 5V 60V 50
		Q408	0TR387500AA	2SC3875S(ALY) NPN 5V 60V 50
		Q412	0TR387500AA	2SC3875S(ALY) NPN 5V 60V 50
		Q413	0TR387500AA	2SC3875S(ALY) NPN 5V 60V 50
RESISTORS				
		R222	0RD0331H609	RD-92T1J3R30 3.3OHM 5% 1/2W
		R100	0RJ0752D677	MCR03EZPJ750 75OHM 5% 1/10W
		R1000	0RJ0000D677	MCR03EZPJ000 0OHM 5% 1/10W
		R1001	0RJ0000D677	MCR03EZPJ000 0OHM 5% 1/10W
		R1004	0RJ0000D677	MCR03EZPJ000 0OHM 5% 1/10W
		R1005	0RJ0000D677	MCR03EZPJ000 0OHM 5% 1/10W
		R1008	0RJ0000D677	MCR03EZPJ000 0OHM 5% 1/10W
		R101	0RJ0000D677	MCR03EZPJ000 0OHM 5% 1/10W
		R1011	0RJ0000D677	MCR03EZPJ000 0OHM 5% 1/10W
		R1013	0RJ0000D677	MCR03EZPJ000 0OHM 5% 1/10W
		R1015	0RJ0000D677	MCR03EZPJ000 0OHM 5% 1/10W
		R1016	0RJ0000D677	MCR03EZPJ000 0OHM 5% 1/10W
		R1018	0RJ0000D677	MCR03EZPJ000 0OHM 5% 1/10W
		R102	0RJ0752D677	MCR03EZPJ750 75OHM 5% 1/10W
		R104	0RJ0752D677	MCR03EZPJ750 75OHM 5% 1/10W
		R105	0RJ0000D677	MCR03EZPJ000 0OHM 5% 1/10W
		R106	0RJ4702D677	MCR03EZPJ473 47KOHM 5% 1/10
		R108	0RJ0822D677	MCR03EZPJ820 82OHM 5% 1/10W
		R109	0RJ1002D677	MCR03EZPJ103 10KOHM 5% 1/10
		R110	0RJ3002D677	MCR03EZPJ303 30KOHM 5% 1/10
		R111	0RJ4702D677	MCR03EZPJ473 47KOHM 5% 1/10
		R112	0RJ0822D677	MCR03EZPJ820 82OHM 5% 1/10W
		R113	0RJ0822D677	MCR03EZPJ820 82OHM 5% 1/10W

DATE: 2006. 05. 01.				
*S	*AL	LOC. NO.	PART NO.	DESCRIPTION / SPECIFICATION
		R114	0RJ0822D677	MCR03EZPJ820 820HM 5% 1/10W
		R115	0RJ0822D677	MCR03EZPJ820 820HM 5% 1/10W
		R116	0RJ0822D677	MCR03EZPJ820 820HM 5% 1/10W
		R117	0RJ2203D677	MCR03EZPJ224 220KOHM 5% 1/1
		R119	0RJ2203D677	MCR03EZPJ224 220KOHM 5% 1/1
		R121	0RJ2203D677	MCR03EZPJ224 220KOHM 5% 1/1
		R123	0RJ2203D677	MCR03EZPJ224 220KOHM 5% 1/1
		R125	0RJ3002D677	MCR03EZPJ303 30KOHM 5% 1/10
		R126	0RJ2203D677	MCR03EZPJ224 220KOHM 5% 1/1
		R127	0RJ4703D677	MCR03EZPJ474 470KOHM 5% 1/1
		R128	0RJ2203D677	MCR03EZPJ224 220KOHM 5% 1/1
		R129	0RJ4703D677	MCR03EZPJ474 470KOHM 5% 1/1
		R130	0RJ2203D677	MCR03EZPJ224 220KOHM 5% 1/1
		R131	0RJ4703D677	MCR03EZPJ474 470KOHM 5% 1/1
		R132	0RJ2203D677	MCR03EZPJ224 220KOHM 5% 1/1
		R133	0RJ4703D677	MCR03EZPJ474 470KOHM 5% 1/1
		R134	0RJ4701D677	MCR03EZPJ472 4.7KOHM 5% 1/1
		R135	0RJ1001D477	MCR03EZPF102 1KOHM 1% 1/10W
		R136	0RJ1001D477	MCR03EZPF102 1KOHM 1% 1/10W
		R137	0RJ1001D477	MCR03EZPF102 1KOHM 1% 1/10W
		R138	0RJ1001D477	MCR03EZPF102 1KOHM 1% 1/10W
		R139	0RJ2000D677	MCR03EZPJ201 200OHM 5% 1/10
		R1400	0RJ4703D677	MCR03EZPJ474 470KOHM 5% 1/1
		R1401	0RJ0000D677	MCR03EZPJ000 0OHM 5% 1/10W
		R1402	0RJ1002D677	MCR03EZPJ103 10KOHM 5% 1/10
		R1403	0RJ1002D677	MCR03EZPJ103 10KOHM 5% 1/10
		R1405	0RJ2001D677	MCR03EZPJ202 2KOHM 5% 1/10W
		R1406	0RJ1002D677	MCR03EZPJ103 10KOHM 5% 1/10
		R1407	0RJ1002D677	MCR03EZPJ103 10KOHM 5% 1/10
		R1408	0RJ2001D677	MCR03EZPJ202 2KOHM 5% 1/10W
		R1412	0RJ0101D677	MCR03EZPJ1R0 1OHM 5% 1/10W
		R1413	0RJ0101D677	MCR03EZPJ1R0 1OHM 5% 1/10W
		R1415	0RJ0101D677	MCR03EZPJ1R0 1OHM 5% 1/10W
		R1416	0RJ0101D677	MCR03EZPJ1R0 1OHM 5% 1/10W
		R1417	0RJ0000D677	MCR03EZPJ000 0OHM 5% 1/10W
		R1423	0RJ0000D677	MCR03EZPJ000 0OHM 5% 1/10W
		R1426	0RJ0000D677	MCR03EZPJ000 0OHM 5% 1/10W
		R143	0RJ0752D677	MCR03EZPJ750 750HM 5% 1/10W
		R145	0RJ0752D677	MCR03EZPJ750 750HM 5% 1/10W
		R1450	0RJ1101D677	MCR03EZPJ112 1.1KOHM 5% 1/1
		R1451	0RJ4701D677	MCR03EZPJ472 4.7KOHM 5% 1/1
		R1452	0RJ1500D677	MCR03EZPJ151 1500HM 5% 1/10
		R1454	0RJ1000D677	MCR03EZPJ101 100OHM 5% 1/10
		R146	0RJ0752D677	MCR03EZPJ750 750HM 5% 1/10W
		R1462	0RJ4702D677	MCR03EZPJ473 47KOHM 5% 1/10
		R1464	0RJ1001D677	MCR03EZPJ102 1KOHM 5% 1/10W
		R1465	0RJ1000D677	MCR03EZPJ101 100OHM 5% 1/10
		R147	0RJ1002D677	MCR03EZPJ103 10KOHM 5% 1/10
		R149	0RJ2203D677	MCR03EZPJ224 220KOHM 5% 1/1
		R151	0RJ2203D677	MCR03EZPJ224 220KOHM 5% 1/1
		R153	0RJ2203D677	MCR03EZPJ224 220KOHM 5% 1/1
		R154	0RJ4703D677	MCR03EZPJ474 470KOHM 5% 1/1
		R155	0RJ2203D677	MCR03EZPJ224 220KOHM 5% 1/1
		R156	0RJ4703D677	MCR03EZPJ474 470KOHM 5% 1/1
		R159	0RJ2203D677	MCR03EZPJ224 220KOHM 5% 1/1
		R160	0RJ2203D677	MCR03EZPJ224 220KOHM 5% 1/1
		R161	0RJ0752D677	MCR03EZPJ750 750HM 5% 1/10W
		R162	0RJ2203D677	MCR03EZPJ224 220KOHM 5% 1/1
		R163	0RJ2203D677	MCR03EZPJ224 220KOHM 5% 1/1
		R164	0RJ0752D677	MCR03EZPJ750 750HM 5% 1/10W
		R165	0RJ0752D677	MCR03EZPJ750 750HM 5% 1/10W
		R166	0RJ0752D677	MCR03EZPJ750 750HM 5% 1/10W
		R167	0RJ0752D677	MCR03EZPJ750 750HM 5% 1/10W
		R168	0RJ0752D677	MCR03EZPJ750 750HM 5% 1/10W
		R169	0RJ0000D677	MCR03EZPJ000 0OHM 5% 1/10W
		R170	0RJ1001D477	MCR03EZPF102 1KOHM 1% 1/10W
		R171	0RJ1001D477	MCR03EZPF102 1KOHM 1% 1/10W
		R172	0RJ2203D677	MCR03EZPJ224 220KOHM 5% 1/1
		R173	0RJ2203D677	MCR03EZPJ224 220KOHM 5% 1/1
		R174	0RJ1001D477	MCR03EZPF102 1KOHM 1% 1/10W
		R175	0RJ1001D477	MCR03EZPF102 1KOHM 1% 1/10W
		R176	0RJ0000D677	MCR03EZPJ000 0OHM 5% 1/10W
		R177	0RJ0822D677	MCR03EZPJ820 820HM 5% 1/10W
		R179	0RJ0752D677	MCR03EZPJ750 750HM 5% 1/10W

DATE: 2006. 05. 01.				
*S	*AL	LOC. NO.	PART NO.	DESCRIPTION / SPECIFICATION
		R180	0RJ0822D677	MCR03EZPJ820 820HM 5% 1/10W
		R181	0RJ0000D677	MCR03EZPJ000 0OHM 5% 1/10W
		R182	0RJ2700D677	MCR03EZPJ271 270OHM 5% 1/10
		R183	0RJ0822D677	MCR03EZPJ820 820HM 5% 1/10W
		R184	0RJ2700D677	MCR03EZPJ271 270OHM 5% 1/10
		R185	0RJ0822D677	MCR03EZPJ820 820HM 5% 1/10W
		R186	0RJ0822D677	MCR03EZPJ820 820HM 5% 1/10W
		R187	0RJ0822D677	MCR03EZPJ820 820HM 5% 1/10W
		R188	0RJ6801D677	MCR03EZPJ682 6.8KOHM 5% 1/1
		R189	0RJ4701D677	MCR03EZPJ472 4.7KOHM 5% 1/1
		R197	0RJ0000D677	MCR03EZPJ000 0OHM 5% 1/10W
		R198	0RJ0000D677	MCR03EZPJ000 0OHM 5% 1/10W
		R201	0RJ0000D677	MCR03EZPJ000 0OHM 5% 1/10W
		R202	0RJ1001D677	MCR03EZPJ102 1KOHM 5% 1/10W
		R208	0RJ2200D677	MCR03EZPJ221 220OHM 5% 1/10
		R209	0RJ2200D677	MCR03EZPJ221 220OHM 5% 1/10
		R210	0RJ4701D677	MCR03EZPJ472 4.7KOHM 5% 1/1
		R211	0RJ4700D677	MCR03EZPJ471 4.70KOHM 5% 1/10
		R212	0RJ0822D677	MCR03EZPJ820 820HM 5% 1/10W
		R213	0RJ0000D677	MCR03EZPJ000 0OHM 5% 1/10W
		R214	0RJ0000D677	MCR03EZPJ000 0OHM 5% 1/10W
		R215	0RJ0000D677	MCR03EZPJ000 0OHM 5% 1/10W
		R216	0RJ4702D677	MCR03EZPJ473 47KOHM 5% 1/10
		R217	0RJ1001D677	MCR03EZPJ102 1KOHM 5% 1/10W
		R218	0RJ2700D677	MCR03EZPJ271 270OHM 5% 1/10
		R219	0RJ2200D677	MCR03EZPJ221 220OHM 5% 1/10
		R220	0RJ1001D677	MCR03EZPJ102 1KOHM 5% 1/10W
		R221	0RJ1000D677	MCR03EZPJ101 100OHM 5% 1/10
		R224	0RJ4701D677	MCR03EZPJ472 4.7KOHM 5% 1/1
		R225	0RJ5602D477	MCR03EZPF563 56KOHM 1% 1/10
		R226	0RJ2201D677	MCR03EZPJ222 2.2KOHM 5% 1/1
		R227	0RJ4701D677	MCR03EZPJ472 4.7KOHM 5% 1/1
		R229	0RJ0822D677	MCR03EZPJ820 820HM 5% 1/10W
		R230	0RJ1500D677	MCR03EZPJ151 1500HM 5% 1/10
		R242	0RJ0000G676	MCR18EZHJ000_0OHM 5% 1/4W
		R243	0RJ0000G676	MCR18EZHJ000_0OHM 5% 1/4W
		R244	0RJ0000G676	MCR18EZHJ000_0OHM 5% 1/4W
		R245	0RJ0000G676	MCR18EZHJ000_0OHM 5% 1/4W
		R246	0RJ0000G676	MCR18EZHJ000_0OHM 5% 1/4W
		R247	0RJ0000G676	MCR18EZHJ000_0OHM 5% 1/4W
		R248	0RJ0000G676	MCR18EZHJ000_0OHM 5% 1/4W
		R249	0RJ0000G676	MCR18EZHJ000_0OHM 5% 1/4W
		R304	0RJ0000D677	MCR03EZPJ000 0OHM 5% 1/10W
		R306	0RJ2200D677	MCR03EZPJ221 220OHM 5% 1/10
		R308	0RJ2200D677	MCR03EZPJ221 220OHM 5% 1/10
		R309	0RJ0000D677	MCR03EZPJ000 0OHM 5% 1/10W
		R315	0RJ0000D677	MCR03EZPJ000 0OHM 5% 1/10W
		R316	0RJ0000D677	MCR03EZPJ000 0OHM 5% 1/10W
		R318	0RJ2200D677	MCR03EZPJ221 220OHM 5% 1/10
		R319	0RJ2200D677	MCR03EZPJ221 220OHM 5% 1/10
		R320	0RJ0000D677	MCR03EZPJ000 0OHM 5% 1/10W
		R321	0RJ1000D677	MCR03EZPJ101 100OHM 5% 1/10
		R322	0RJ1201D677	MCR03EZPJ122 1.2KOHM 5% 1/1
		R323	0RJ1000D677	MCR03EZPJ101 100OHM 5% 1/10
		R324	0RJ2200D677	MCR03EZPJ221 220OHM 5% 1/10
		R325	0RJ2200D677	MCR03EZPJ221 220OHM 5% 1/10
		R326	0RJ1201D677	MCR03EZPJ122 1.2KOHM 5% 1/1
		R327	0RJ1000D677	MCR03EZPJ101 100OHM 5% 1/10
		R328	0RJ1001D677	MCR03EZPJ102 1KOHM 5% 1/10W
		R334	0RJ1201D677	MCR03EZPJ122 1.2KOHM 5% 1/1
		R335	0RJ1000D677	MCR03EZPJ101 100OHM 5% 1/10
		R336	0RJ1201D677	MCR03EZPJ122 1.2KOHM 5% 1/1
		R337	0RJ1000D677	MCR03EZPJ101 100OHM 5% 1/10
		R338	0RJ1000D677	MCR03EZPJ101 100OHM 5% 1/10
		R354	0RJ1003D677	MCR03EZPJ104 100KOHM 5% 1/1
		R355	0RJ1000D677	MCR03EZPJ101 100OHM 5% 1/10
		R356	0RJ0752D677	MCR03EZPJ750 750HM 5% 1/10W
		R357	0RJ0752D677	MCR03EZPJ750 750HM 5% 1/10W
		R358	0RJ0752D677	MCR03EZPJ750 750HM 5% 1/10W
		R359	0RJ4703D677	MCR03EZPJ474 470KOHM 5% 1/1
		R360	0RJ4703D677	MCR03EZPJ474 470KOHM 5% 1/1
		R366	0RJ1003D677	MCR03EZPJ104 100KOHM 5% 1/1
		R368	0RJ5600D677	MCR03EZPJ561 560OHM 5% 1/10
		R369	0RJ2200D677	MCR03EZPJ221 220OHM 5% 1/10

DATE: 2006. 05. 01.				
*S	*AL	LOC. NO.	PART NO.	DESCRIPTION / SPECIFICATION
		R370	0RJ0000D677	MCR03EZPJ000 0OHM 5% 1/10W
		R371	0RJ2200D677	MCR03EZPJ221 220OHM 5% 1/10
		R372	0RJ0472D677	MCR03EZPJ470 470OHM 5% 1/10W
		R373	0RJ3901D677	MCR03EZPJ392 3.9KOHM 5% 1/1
		R374	0RJ1000D677	MCR03EZPJ101 100OHM 5% 1/10
		R375	0RJ4701D677	MCR03EZPJ472 4.7KOHM 5% 1/1
		R376	0RJ1501D677	MCR03EZPJ152 1.5KOHM 5% 1/1
		R377	0RJ1501D677	MCR03EZPJ152 1.5KOHM 5% 1/1
		R378	0RJ4703D677	MCR03EZPJ474 470KOHM 5% 1/1
		R379	0RJ4701D677	MCR03EZPJ472 4.7KOHM 5% 1/1
		R380	0RJ1001D677	MCR03EZPJ102 1KOHM 5% 1/10W
		R381	0RJ4703D677	MCR03EZPJ474 470KOHM 5% 1/1
		R382	0RJ1001D677	MCR03EZPJ102 1KOHM 5% 1/10W
		R406	0RJ6202D677	MCR03EZPJ623 62KOHM 5% 1/10
		R407	0RJ2402D677	MCR03EZPJ243 24KOHM 5% 1/10
		R408	0RJ1501D677	MCR03EZPJ152 1.5KOHM 5% 1/1
		R409	0RJ4700D677	MCR03EZPJ471 470OHM 5% 1/10
		R412	0RJ0432D677	MCR03EZPJ430 430OHM 5% 1/10W
		R413	0RJ0432D677	MCR03EZPJ430 430OHM 5% 1/10W
		R421	0RJ1000D677	MCR03EZPJ101 100OHM 5% 1/10
		R422	0RJ1000D677	MCR03EZPJ101 100OHM 5% 1/10
		R424	0RJ4701D677	MCR03EZPJ472 4.7KOHM 5% 1/1
		R433	0RJ0000D677	MCR03EZPJ000 0OHM 5% 1/10W
		R435	0RJ1000D677	MCR03EZPJ101 100OHM 5% 1/10
		R436	0RJ2200D677	MCR03EZPJ221 220OHM 5% 1/10
		R440	0RJ0102D677	MCR03EZPJ100 100OHM 5% 1/10W
		R445	0RJ1000D677	MCR03EZPJ101 100OHM 5% 1/10
		R446	0RJ0000D677	MCR03EZPJ000 0OHM 5% 1/10W
		R447	0RJ0000D677	MCR03EZPJ000 0OHM 5% 1/10W
		R450	0RJ1000D677	MCR03EZPJ101 100OHM 5% 1/10
		R453	0RJ1000D677	MCR03EZPJ101 100OHM 5% 1/10
		R454	0RJ4701D677	MCR03EZPJ472 4.7KOHM 5% 1/1
		R455	0RJ4701D677	MCR03EZPJ472 4.7KOHM 5% 1/1
		R465	0RJ4703D677	MCR03EZPJ474 470KOHM 5% 1/1
		R467	0RJ4703D677	MCR03EZPJ474 470KOHM 5% 1/1
		R468	0RJ0221D677	MCR03EZPJ2R2 2.2OHM 5% 1/10
		R469	0RJ0221D677	MCR03EZPJ2R2 2.2OHM 5% 1/10
		R470	0RJ0471D677	MCR03EZPJ4R7 4.7OHM 5% 1/10
		R471	0RJ4701D677	MCR03EZPJ472 4.7KOHM 5% 1/1
		R472	0RJ0221D677	MCR03EZPJ2R2 2.2OHM 5% 1/10
		R473	0RJ0221D677	MCR03EZPJ2R2 2.2OHM 5% 1/10
		R474	0RJ0000D677	MCR03EZPJ000 0OHM 5% 1/10W
		R475	0RJ0000D677	MCR03EZPJ000 0OHM 5% 1/10W
		R476	0RJ4701D677	MCR03EZPJ472 4.7KOHM 5% 1/1
		R477	0RJ0331D677	MCR03EZPJ3R3 3.3OHM 5% 1/10
		R491	0RJ1000D677	MCR03EZPJ101 100OHM 5% 1/10
		R492	0RJ4703D677	MCR03EZPJ474 470KOHM 5% 1/1
		R493	0RJ1000D677	MCR03EZPJ101 100OHM 5% 1/10
		R494	0RJ1000D677	MCR03EZPJ101 100OHM 5% 1/10
		R497	0RJ0000D677	MCR03EZPJ000 0OHM 5% 1/10W
		R498	0RJ0331D677	MCR03EZPJ3R3 3.3OHM 5% 1/10
		R500	0RJ0752D677	MCR03EZPJ750 750OHM 5% 1/10W
		R501	0RJ2203D677	MCR03EZPJ224 220KOHM 5% 1/1
		R502	0RJ0752D677	MCR03EZPJ750 750OHM 5% 1/10W
		R503	0RJ2203D677	MCR03EZPJ224 220KOHM 5% 1/1
		R504	0RJ0752D677	MCR03EZPJ750 750OHM 5% 1/10W
		R505	0RJ1001D677	MCR03EZPJ102 1KOHM 5% 1/10W
		R506	0RJ1001D677	MCR03EZPJ102 1KOHM 5% 1/10W
		R507	0RJ4701D677	MCR03EZPJ472 4.7KOHM 5% 1/1
		R508	0RJ4701D677	MCR03EZPJ472 4.7KOHM 5% 1/1
		R509	0RJ0222D677	MCR03EZPJ220 220OHM 5% 1/10W
		R510	0RJ1001D677	MCR03EZPJ102 1KOHM 5% 1/10W
		R511	0RJ0000D677	MCR03EZPJ000 0OHM 5% 1/10W
		R512	0RJ0222D677	MCR03EZPJ220 220OHM 5% 1/10W
		R513	0RJ0222D677	MCR03EZPJ220 220OHM 5% 1/10W
		R514	0RJ0000D677	MCR03EZPJ000 0OHM 5% 1/10W
		R515	0RJ1001D677	MCR03EZPJ102 1KOHM 5% 1/10W
		R519	0RJ1001D677	MCR03EZPJ102 1KOHM 5% 1/10W
		R520	0RJ1000D677	MCR03EZPJ101 100OHM 5% 1/10
		R521	0RJ1000D677	MCR03EZPJ101 100OHM 5% 1/10
		R523	0RJ1002D677	MCR03EZPJ103 10KOHM 5% 1/10
		R524	0RJ1002D677	MCR03EZPJ103 10KOHM 5% 1/10
		R525	0RJ4701D677	MCR03EZPJ472 4.7KOHM 5% 1/1
		R528	0RJ5601D677	MCR03EZPJ562 5.6KOHM 5% 1/1

DATE: 2006. 05. 01.				
*S	*AL	LOC. NO.	PART NO.	DESCRIPTION / SPECIFICATION
		R529	0RJ1202D677	MCR03EZPJ123 12KOHM 5% 1/10
		R530	0RJ1502D677	MCR03EZPJ153 15KOHM 5% 1/10
		R531	0RJ5601D677	MCR03EZPJ562 5.6KOHM 5% 1/1
		R543	0RJ0000D677	MCR03EZPJ000 0OHM 5% 1/10W
		R544	0RJ0000D677	MCR03EZPJ000 0OHM 5% 1/10W
		R545	0RJ0000D677	MCR03EZPJ000 0OHM 5% 1/10W
		R546	0RJ0000D677	MCR03EZPJ000 0OHM 5% 1/10W
		R556	0RJ1000D677	MCR03EZPJ101 100OHM 5% 1/10
		R564	0RJ0000D677	MCR03EZPJ000 0OHM 5% 1/10W
		R565	0RJ0000D677	MCR03EZPJ000 0OHM 5% 1/10W
		R596	0RJ4701D677	MCR03EZPJ472 4.7KOHM 5% 1/10
		R597	0RJ4701D677	MCR03EZPJ472 4.7KOHM 5% 1/10
		R601	0RJ1002D677	MCR03EZPJ103 10KOHM 5% 1/10
		R85	0RJ0000D677	MCR03EZPJ000 0OHM 5% 1/10W
		R86	0RJ2001D677	MCR03EZPJ202 2KOHM 5% 1/10W
		R88	0RJ0000D677	MCR03EZPJ000 0OHM 5% 1/10W
		R90	0RJ1001D477	MCR03EZPF102 1KOHM 1% 1/10W
		R91	0RJ1002D677	MCR03EZPJ103 10KOHM 5% 1/10
		R97	0RJ1001D477	MCR03EZPF102 1KOHM 1% 1/10W
		R98	0RJ2001D677	MCR03EZPJ202 2KOHM 5% 1/10W
		R1002	0RJ0000D677	MCR03EZPJ000 0OHM 5% 1/10W
		R1003	0RJ0000D677	MCR03EZPJ000 0OHM 5% 1/10W
		R1006	0RJ0000D677	MCR03EZPJ000 0OHM 5% 1/10W
		R1007	0RJ0000D677	MCR03EZPJ000 0OHM 5% 1/10W
		R1009	0RJ0000D677	MCR03EZPJ000 0OHM 5% 1/10W
		R1010	0RJ0000D677	MCR03EZPJ000 0OHM 5% 1/10W
		R1012	0RJ0000D677	MCR03EZPJ000 0OHM 5% 1/10W
		R1014	0RJ0000D677	MCR03EZPJ000 0OHM 5% 1/10W
		R1017	0RJ0000D677	MCR03EZPJ000 0OHM 5% 1/10W
		R1019	0RJ0000D677	MCR03EZPJ000 0OHM 5% 1/10W
		R103	0RJ0682D677	MCR03EZPJ680 680OHM 5% 1/10W
		R107	0RJ4703D677	MCR03EZPJ474 470KOHM 5% 1/1
		R141	0RJ1001D477	MCR03EZPF102 1KOHM 1% 1/10W
		R1420	0RJ2001D677	MCR03EZPJ202 2KOHM 5% 1/10W
		R1421	0RJ2001D677	MCR03EZPJ202 2KOHM 5% 1/10W
		R1456	0RJ2001D677	MCR03EZPJ202 2KOHM 5% 1/10W
		R1457	0RJ1002D677	MCR03EZPJ103 10KOHM 5% 1/10
		R1458	0RJ1000D677	MCR03EZPJ101 100OHM 5% 1/10
		R1459	0RJ0000D677	MCR03EZPJ000 0OHM 5% 1/10W
		R203	0RJ0000G676	MCR18EZHJ000_0OHM 5% 1/4W
		R204	0RJ0000G676	MCR18EZHJ000_0OHM 5% 1/4W
		R205	0RJ0000G676	MCR18EZHJ000_0OHM 5% 1/4W
		R206	0RJ0000G676	MCR18EZHJ000_0OHM 5% 1/4W
		R223	0RJ1800D677	MCR03EZPJ181 1800OHM 5% 1/10
		R228	0RJ0000D677	MCR03EZPJ000 0OHM 5% 1/10W
		R235	0RJ0000D677	MCR03EZPJ000 0OHM 5% 1/10W
		R237	0RJ0000D677	MCR03EZPJ000 0OHM 5% 1/10W
		R238	0RJ0000G676	MCR18EZHJ000_0OHM 5% 1/4W
		R239	0RJ0000G676	MCR18EZHJ000_0OHM 5% 1/4W
		R240	0RJ0000G676	MCR18EZHJ000_0OHM 5% 1/4W
		R241	0RJ0000G676	MCR18EZHJ000_0OHM 5% 1/4W
		R250	0RJ0000G676	MCR18EZHJ000_0OHM 5% 1/4W
		R300	0RJ1000D677	MCR03EZPJ101 100OHM 5% 1/10
		R301	0RJ1000D677	MCR03EZPJ101 100OHM 5% 1/10
		R302	0RJ0000D677	MCR03EZPJ000 0OHM 5% 1/10W
		R303	0RJ0000D677	MCR03EZPJ000 0OHM 5% 1/10W
		R305	0RJ2200D677	MCR03EZPJ221 220OHM 5% 1/10
		R307	0RJ2200D677	MCR03EZPJ221 220OHM 5% 1/10
		R311	0RJ1000D677	MCR03EZPJ101 100OHM 5% 1/10
		R312	0RJ1000D677	MCR03EZPJ101 100OHM 5% 1/10
		R333	0RJ1000D677	MCR03EZPJ101 100OHM 5% 1/10
		R339	0RJ1001D677	MCR03EZPJ102 1KOHM 5% 1/10W
		R340	0RJ1201D677	MCR03EZPJ122 1.2KOHM 5% 1/1
		R341	0RJ1201D677	MCR03EZPJ122 1.2KOHM 5% 1/1
		R342	0RJ1001D677	MCR03EZPJ102 1KOHM 5% 1/10W
		R343	0RJ1201D677	MCR03EZPJ122 1.2KOHM 5% 1/1
		R344	0RJ1201D677	MCR03EZPJ122 1.2KOHM 5% 1/1
		R345	0RJ1000D677	MCR03EZPJ101 100OHM 5% 1/10
		R346	0RJ1000D677	MCR03EZPJ101 100OHM 5% 1/10
		R347	0RJ1000D677	MCR03EZPJ101 100OHM 5% 1/10
		R348	0RJ1000D677	MCR03EZPJ101 100OHM 5% 1/10
		R349	0RJ1000D677	MCR03EZPJ101 100OHM 5% 1/10
		R350	0RJ1201D677	MCR03EZPJ122 1.2KOHM 5% 1/1
		R351	0RJ1000D677	MCR03EZPJ101 100OHM 5% 1/10

DATE: 2006. 05. 01.				
*S	*AL	LOC. NO.	PART NO.	DESCRIPTION / SPECIFICATION
		R352	0RJ1201D677	MCR03EZPJ122 1.2KOHM 5% 1/1
		R353	0RJ1000D677	MCR03EZPJ101 100OHM 5% 1/10
		R361	0RJ1000D677	MCR03EZPJ101 100OHM 5% 1/10
		R362	0RJ1000D677	MCR03EZPJ101 100OHM 5% 1/10
		R363	0RJ1000D677	MCR03EZPJ101 100OHM 5% 1/10
		R364	0RJ1000D677	MCR03EZPJ101 100OHM 5% 1/10
		R365	0RJ1000D677	MCR03EZPJ101 100OHM 5% 1/10
		R367	0RJ3303D677	MCR03EZPJ334 330KOHM 5% 1/1
		R401	0RJ0000D677	MCR03EZPJ000 0OHM 5% 1/10W
		R402	0RJ2702D677	MCR03EZPJ273 27KOHM 5% 1/10
		R410	0RJ4701D677	MCR03EZPJ472 4.7KOHM 5% 1/1
		R411	0RJ4701D677	MCR03EZPJ472 4.7KOHM 5% 1/1
		R415	0RJ2200D677	MCR03EZPJ221 220OHM 5% 1/10
		R416	0RJ2200D677	MCR03EZPJ221 220OHM 5% 1/10
		R419	0RJ2200D677	MCR03EZPJ221 220OHM 5% 1/10
		R420	0RJ0000D677	MCR03EZPJ000 0OHM 5% 1/10W
		R425	0RJ1000D677	MCR03EZPJ101 100OHM 5% 1/10
		R427	0RJ1000D677	MCR03EZPJ101 100OHM 5% 1/10
		R428	0RJ1000D677	MCR03EZPJ101 100OHM 5% 1/10
		R430	0RJ2200D677	MCR03EZPJ221 220OHM 5% 1/10
		R431	0RJ2200D677	MCR03EZPJ221 220OHM 5% 1/10
		R434	0RJ3301D677	MCR03EZPJ332 3.3KOHM 5% 1/1
		R437	0RJ2200D677	MCR03EZPJ221 220OHM 5% 1/10
		R438	0RJ2200D677	MCR03EZPJ221 220OHM 5% 1/10
		R439	0RJ2200D677	MCR03EZPJ221 220OHM 5% 1/10
		R441	0RJ1002D677	MCR03EZPJ103 10KOHM 5% 1/10
		R442	0RJ1002D677	MCR03EZPJ103 10KOHM 5% 1/10
		R444	0RJ1000D677	MCR03EZPJ101 100OHM 5% 1/10
		R448	0RJ1001D677	MCR03EZPJ102 1KOHM 5% 1/10W
		R449	0RJ1001D677	MCR03EZPJ102 1KOHM 5% 1/10W
		R451	0RJ1000D677	MCR03EZPJ101 100OHM 5% 1/10
		R456	0RJ1001D677	MCR03EZPJ102 1KOHM 5% 1/10W
		R457	0RJ1001D677	MCR03EZPJ102 1KOHM 5% 1/10W
		R478	0RJ0221D677	MCR03EZPJ2R2 2.2OHM 5% 1/10
		R479	0RJ0221D677	MCR03EZPJ2R2 2.2OHM 5% 1/10
		R482	0RJ0221D677	MCR03EZPJ2R2 2.2OHM 5% 1/10
		R483	0RJ0221D677	MCR03EZPJ2R2 2.2OHM 5% 1/10
		R490	0RJ2200D677	MCR03EZPJ221 220OHM 5% 1/10
		R495	0RJ4703D677	MCR03EZPJ474 470KOHM 5% 1/1
		R496	0RJ4703D677	MCR03EZPJ474 470KOHM 5% 1/1
		R516	0RJ0000D677	MCR03EZPJ000 0OHM 5% 1/10W
		R517	0RJ0000D677	MCR03EZPJ000 0OHM 5% 1/10W
		R518	0RJ0000D677	MCR03EZPJ000 0OHM 5% 1/10W
		R526	0RJ4701D677	MCR03EZPJ472 4.7KOHM 5% 1/1
		R527	0RJ4701D677	MCR03EZPJ472 4.7KOHM 5% 1/1
		R553	0RJ0000D677	MCR03EZPJ000 0OHM 5% 1/10W
		R557	0RJ0000D677	MCR03EZPJ000 0OHM 5% 1/10W
		R559	0RJ0000D677	MCR03EZPJ000 0OHM 5% 1/10W
		R562	0RJ0000D677	MCR03EZPJ000 0OHM 5% 1/10W
		R570	0RJ0000D677	MCR03EZPJ000 0OHM 5% 1/10W
		R578	0RJ0000D677	MCR03EZPJ000 0OHM 5% 1/10W
		R580	0RJ0000D677	MCR03EZPJ000 0OHM 5% 1/10W
		R590	0RJ1001D677	MCR03EZPJ102 1KOHM 5% 1/10W
		R592	0RJ1001D677	MCR03EZPJ102 1KOHM 5% 1/10W
		R593	0RJ0000D677	MCR03EZPJ000 0OHM 5% 1/10W
		R594	0RJ0000D677	MCR03EZPJ000 0OHM 5% 1/10W
		R598	0RJ4703D677	MCR03EZPJ474 470KOHM 5% 1/1
		R599	0RJ4703D677	MCR03EZPJ474 470KOHM 5% 1/1
		R81	0RJ1001D477	MCR03EZPJ102 1KOHM 1% 1/10W
		R84	0RJ1001D477	MCR03EZPJ102 1KOHM 1% 1/10W
		R87	0RJ0000D677	MCR03EZPJ000 0OHM 5% 1/10W
		R89	0RJ1001D477	MCR03EZPJ102 1KOHM 1% 1/10W
OTHERS				
		X402 X300 TU201	6202VDT002H 166-E02F 6700MF0012C	SX-1 18.432MHZ 30PPM 18.432 CSBLA500KECF09-B0 500KHZ 2 TAFM-W103P NTSC M/N_PAL B/G
CONTROL BOARD				
		R101 R102 R103	ORD9101Q609 ORD3301Q609 ORD1101Q609	RDM94T1J9K10 9.1KOHM 5% 1/4 RDM94T1J3K30 3.3KOHM 5% 1/4 RDM94T1J1K10 1.1KOHM 5% 1/4

DATE: 2006. 05. 01.				
*S	*AL	LOC. NO.	PART NO.	DESCRIPTION / SPECIFICATION
		R104	ORD1100Q609	RDM94T1J110R 110OHM 5% 1/4W
		R105	ORD9101Q609	RDM94T1J9K10 9.1KOHM 5% 1/4
		R106	ORD3301Q609	RDM94T1J3K30 3.3KOHM 5% 1/4
		R107	ORD1101Q609	RDM94T1J1K10 1.1KOHM 5% 1/4
		R108	ORD1100Q609	RDM94T1J110R 110OHM 5% 1/4W
		SW101	140-313A	THVV501BBC 1C1P 12VDC 0.05A
		SW102	140-313A	THVV501BBC 1C1P 12VDC 0.05A
		SW103	140-313A	THVV501BBC 1C1P 12VDC 0.05A
		SW104	140-313A	THVV501BBC 1C1P 12VDC 0.05A
		SW105	140-313A	THVV501BBC 1C1P 12VDC 0.05A
		SW106	140-313A	THVV501BBC 1C1P 12VDC 0.05A
		SW107	140-313A	THVV501BBC 1C1P 12VDC 0.05A
		SW108	140-313A	THVV501BBC 1C1P 12VDC 0.05A
		ZD101	0DZ510009AK	GDZJ5.1B 5.1V 4.94TO5.2V 80
		ZD102	0DZ510009AK	GDZJ5.1B 5.1V 4.94TO5.2V 80
SIDE A/V BOARD				
		C101	0CH6102K406	C2012S2L1H102JT 1nF 5% 50V
		C102	0CH6102K406	C2012S2L1H102JT 1nF 5% 50V
		C103	0CH6102K406	C2012S2L1H102JT 1nF 5% 50V
		C104	0CH6102K406	C2012S2L1H102JT 1nF 5% 50V
		L101	6210TCE001A	HB-1S2012-080JT 8OHM 2X1.25
		L102	6210TCE001A	HB-1S2012-080JT 8OHM 2X1.25
		R104	0RH0000D622	MCR10EZJH000 0OHM 5% 1/8W 2
		R105	0RH0000D622	MCR10EZJH000 0OHM 5% 1/8W 2
		R106	0RH0000D622	MCR10EZJH000 0OHM 5% 1/8W 2
		R107	0RH0000D622	MCR10EZJH000 0OHM 5% 1/8W 2
		R108	0RH0000D622	MCR10EZJH000 0OHM 5% 1/8W 2
		R109	0RH4703D622	MCR10EZJH474 470KOHM 5% 1/8
		R110	0RH4703D622	MCR10EZJH474 470KOHM 5% 1/8
		ZD104	0DZRM00178A	UDZS5.1B 5.1V 4.98TO5.2V 80
		ZD105	0DZRM00178A	UDZS5.1B 5.1V 4.98TO5.2V 80
		ZD106	0DZRM00178A	UDZS5.1B 5.1V 4.98TO5.2V 80
IR/LED BOARD				
		C101	0CH5471K416	C2012C0G1H471JT 470pF 5% 50
		C102	0CH5101K416	C2012C0G1H101JT 100pF 5% 50
		C104	0CH5471K416	C2012C0G1H471JT 470pF 5% 50
		C105	0CH5471K416	C2012C0G1H471JT 470pF 5% 50
		L101	0RH1000D622	MCR10EZJH101 100OHM 5% 1/8W
		Q101	0TR387500AA	2SC3875S(ALY) NPN 5V 60V 50
		Q102	0TR387500AA	2SC3875S(ALY) NPN 5V 60V 50
		R101	0LCML00003B	MLB-201209-0120P-N2 120OHM
		R102	0LCML00003B	MLB-201209-0120P-N2 120OHM
		R103	0LCML00003B	MLB-201209-0120P-N2 120OHM
		R104	0RH4701D622	MCR10EZJH472 4.7KOHM 5% 1/8
		R105	0RH4701D622	MCR10EZJH472 4.7KOHM 5% 1/8
		C103	0CE4763F618	ESF476M016T1A5E05G 47uF 20%
		LED1	0DL200000CA	SAM5670(DL-2LRG) ROUND 4.8M
		PA101	6726VV0006D	TSOP4838SO1 4.5TO5.5V 1.5MA