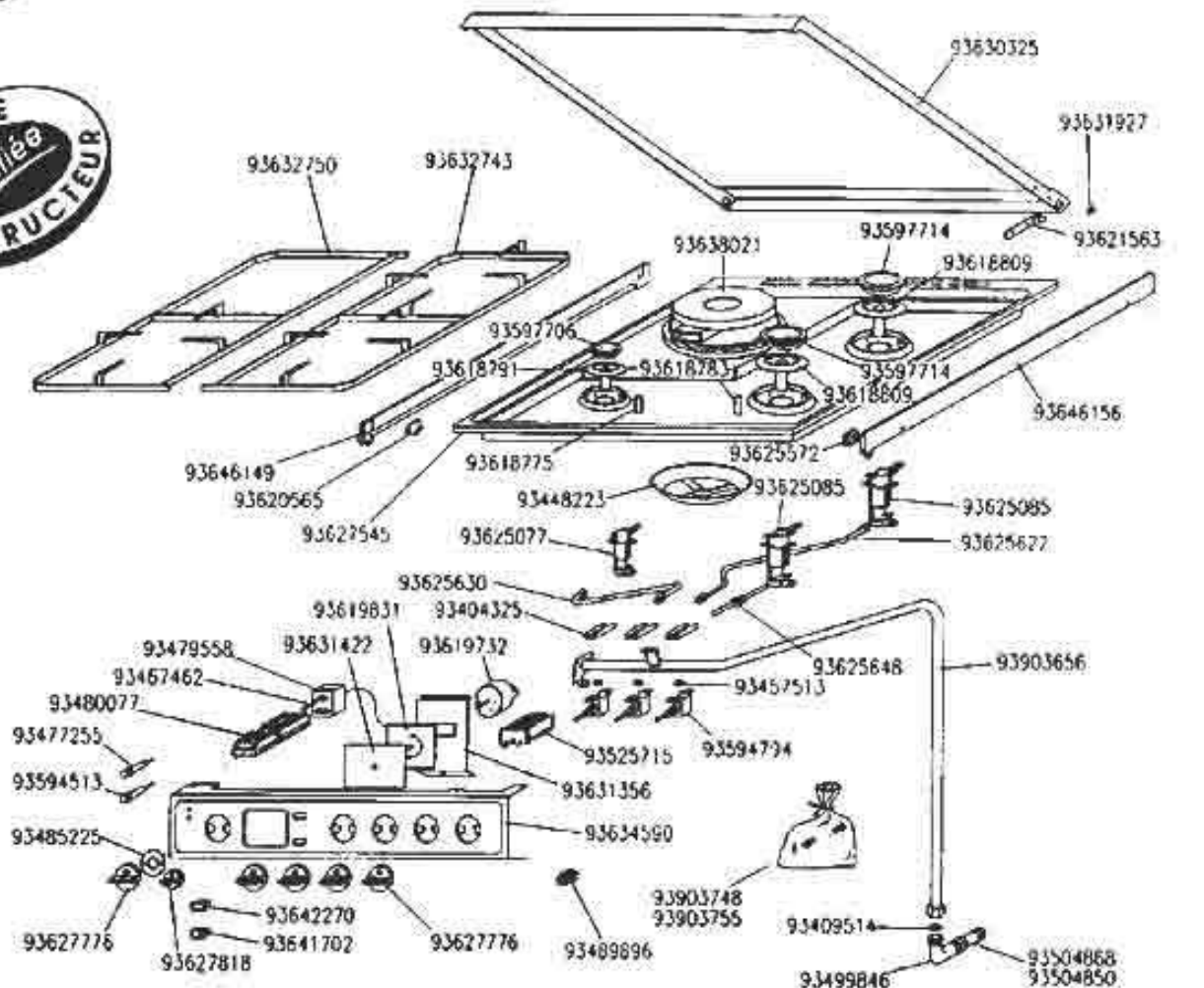
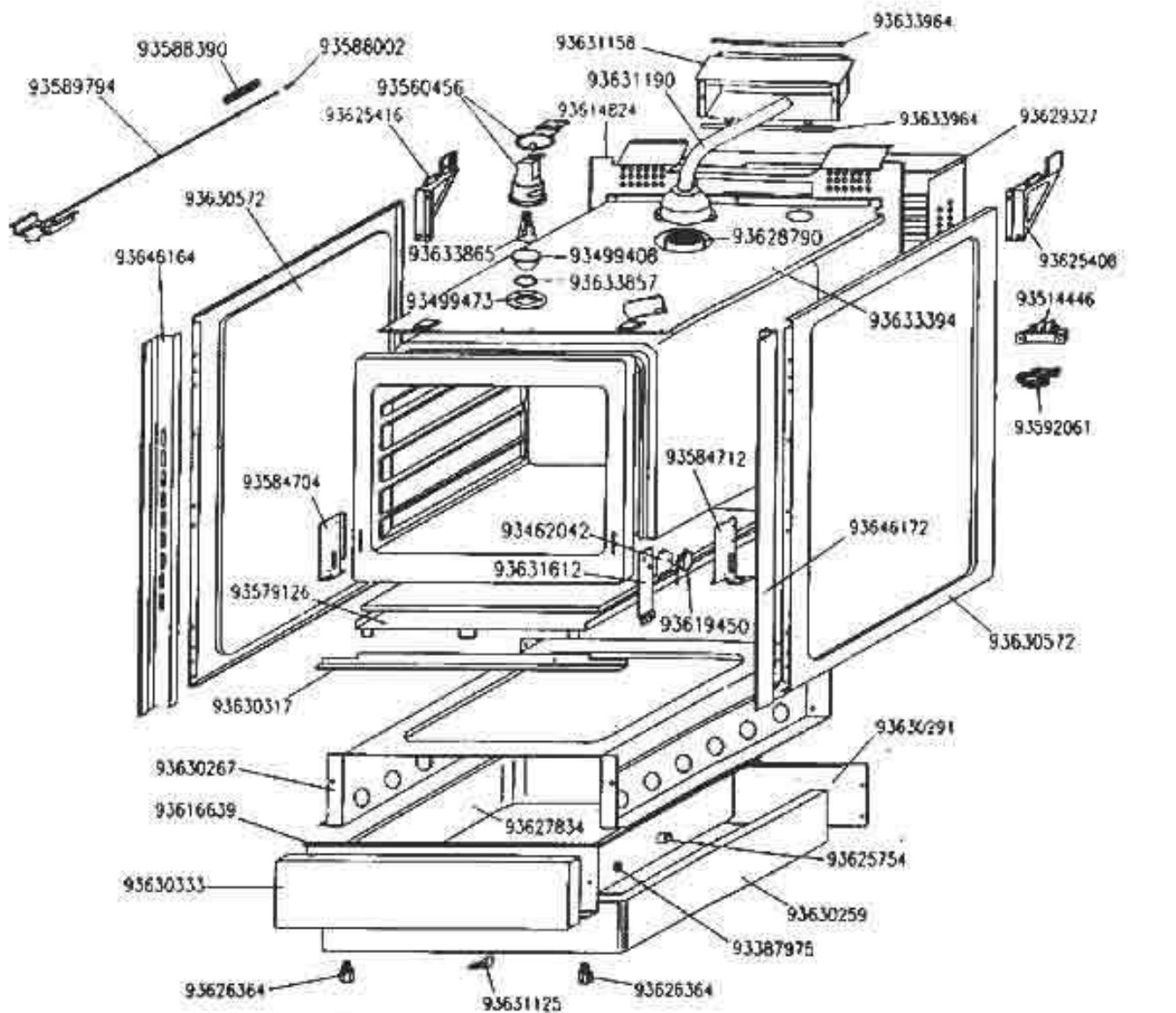


COMMANDES PIÈCES :
PAR MINITEL 36 14 GIAS

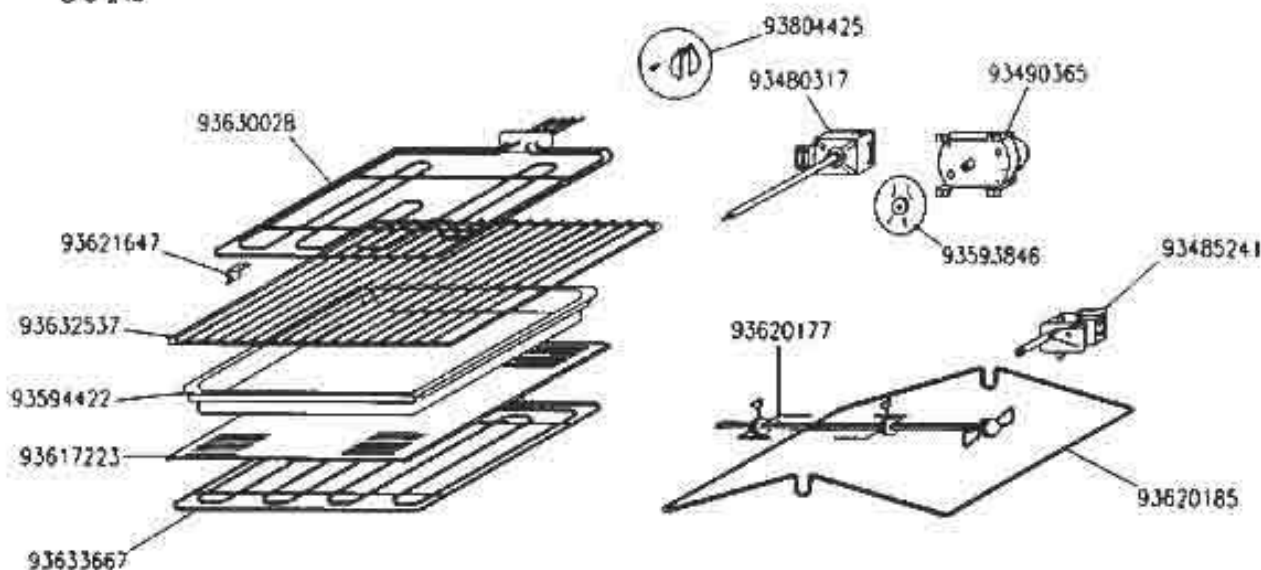


93404325	BRIDE DE ROBINET	VALVE COUNTER FLANGE	93621563	ENSEMBLE ÉQUILIBRAGE	HINGE
93409514	JOINT D'ÉTANCHÉITÉ	GASKET	93625077	SUPP. CORPS BRUL. SR	BURNER BODY SUPPORT
93448223	BOITIER FIXATION PLAQUE	PLATE RETAINING CASE	93625085	SUPP. CORPS BRUL. R	BURNER BODY SUPPORT
93457513	JOINT DE ROBINET	GASKET	93625572	BUTÉE AVANT DROITE	FRONT RIGHT STOPPER
93467462	COLONN. DE LAMSON	ASSEMBLING PIN	93625622	TUYAULTERIE ARRIÈRE DROITE	BACK RIGHT BURNER PIPING
93477255	VOYANT ROUGE	RED NEON	93625630	TUYAULTERIE AVANT GAUCHE	FRONT LEFT BURNER PIPING
93479558	THERMOSTAT	THERMOSTAT	93625648	TUYAULTERIE AVANT DROITE	FRONT RIGHT BURNER PIPING
93480077	COMMUTATEUR FOUR	OVEN SWITCH	93627545	TABLE DE TRAVAIL	HOB TOP
93485225	PLAQUE OBTURATRICE	OBTURATING PLATE	93627776	MANETTE	KNOB
93489896	BLOC DE JONCTION	ELECTRICAL FEEDING BLOCK	93627818	MANETTE	KNOB
93499846	RACCORD COUDE	GAS CONNECTION ELBOW	93630325	COUVERCLE	COVER
93504850	OLIVE GAZ BUTANE	BUTANE HOSE SOCKET	93631356	SUPPORT DE MINUTERIE	TIMER SUPPORT
93504868	OLIVE GAZ NATUREL	NATURAL HOSE SOCKET	93631422	VERRE DE MINUTERIE	TIMER GLASS
93525715	COMMUTATEUR PLAQUE	HOT PLATE SWITCH	93631927	BOUCHON BLANC	WHITE CAP
93594513	VOYANT ORANGE	ORANGE NEON	93632743	GRILLE TABLE 7 FEUX	PAN SUPPORT
93594794	ROBINET BRULEUR	GAS TAP	93632750	GRILLE TABLE	PAN SUPPORT
93597706	CHÂPEAU DE BRULEUR SR	BURNER CAP	93634590	TABLEAU DE BORD	CONTROL PANEL
93597714	CHÂPEAU DE BRULEUR R	BURNER CAP	93638021	PLAQUE #180 2000W	HOT PLATE
93618775	BAGUE RÉGLAGE BRUL. SR	AIR REGULATOR	93641302	INTERRUPTEUR	SWITCH
93618783	BAGUE RÉGLAGE BRUL. R	AIR REGULATOR	93642270	VOYANT	NEON
93618791	CORPS DE BRULEUR SR	BURNER BODY	93903656	MOURRIÇE	GAS FLEX PIPE
93618809	CORPS DE BRULEUR R	BURNER BODY	93903748	JEU INJECTEUR BUTANE	BUTANE GAS INJECTOR SET
93619732	MINUTERIE	TIMER	93903755	JEU INJECTEUR NATUREL	NATURAL GAS INJECTOR SET
93619831	CADRAN MINUTERIE	TIMER BOSS	93646149	ENJOLIVEUR GAUCHE	LEFT FINISHING TRIM
93620565	BUTÉE AVANT GAUCHE	FRONT LEFT STOPPER	93646156	ENJOLIVEUR DROIT	RIGHT FINISHING TRIM

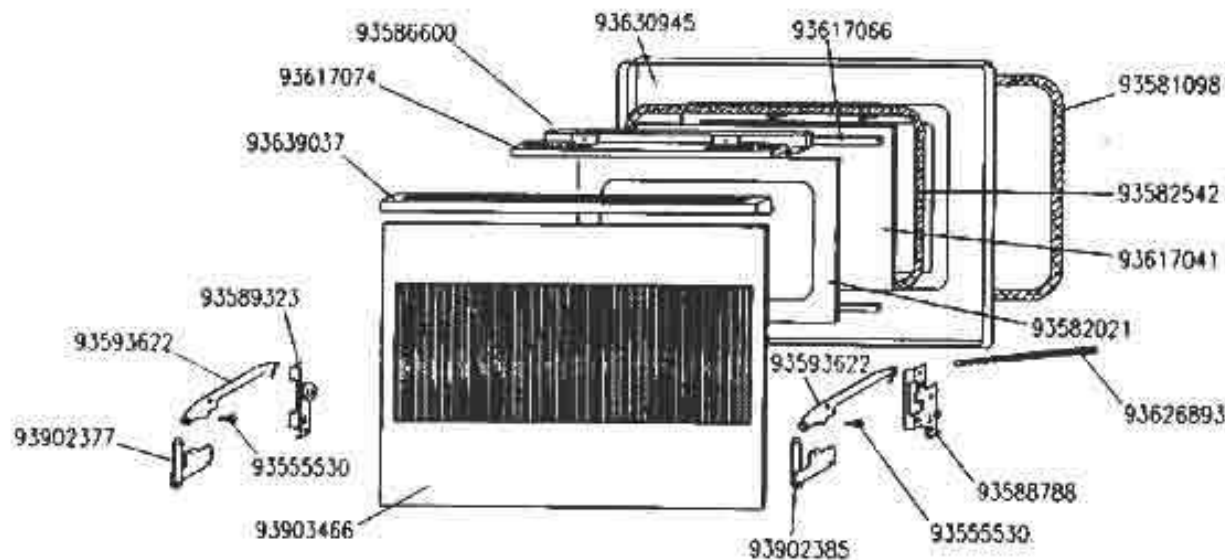


93387975	BUTÉE	BUFFER	93627834	ENVELOPPE TIROR	DRAWER
93462042	PLAQUETTE ISOLANTE	HEAT INSULATOR	93626790	CATALYSEUR	SMOKE ELIMINATOR
93499408	VERRE DE HUBLOT	OVEN LAMP GLASS	93629327	CAPOT ARRIERE	BACK COVER
93499473	BRIDE DE HUBLOT	LAMP GLASS BRACKET	93630259	SOCLE	KICK PANEL
93514446	PLAQUE A BORNES	TERMINALS PLATE	93630267	ENVELOPPE DE SOCLE	KICK PANEL COVER
93560456	DOUILLE ECLAIRAGE	OVEN LAMP HOLDER	93630291	TRAVERSE ARRIERE DE SOCLE	BACK KICK PANEL
93579126	SUPPORT ELEMENT DE SOLE	BOTTOM ELEMENT SUPPORT	93630317	ENJOLVEUR INF.	LOWER FINISHING TRIM
93584704	EQUERRE GAUCHE	LEFT ANGLE	93630333	FACADE TIROR	DRAWER SLIDING
93584712	EQUERRE DROITE	RIGHT ANGLE	93630572	PIGNON	SIDE PANEL
93588002	EMBOUT	TIP	93631125	PATIN DE TIROR	DRAWER SLIDING
93588390	RESSORT DE RAPPEL	REMINDER SPRING	93631158	BOITIER ARRIERE	BACK BOX
93589794	ENS. VERROU	BOXT SET	93631190	BOITIER CATALYSEUR	SMOKE ELIMINATOR CASE
93592061	SERRE-CABLE	CABLE CLAMP	93631612	EQUERRE SUPPORT	FIXING ANGLE
93614824	DERRIERE D'APPAREIL	BACK COVER	93633394	PLAFOND	OVEN TOP
93616639	CONTRE-FACADE TIROR	DRAWER PANEL SUPPORT	93633857	JOINT DE HUBLOT	LAMP GLASS GASKET
93619450	MICROINTURTEUR	SWITCH	93633865	AMPOULE DE FOUR	OVEN BULB
93625408	GOUSSET DROIT	RIGHT BRACKET	93633964	JOINT	GASKET
93625416	GOUSSET GAUCHE	LEFT BRACKET	93646164	MONTANT GAUCHE	LEFT VERTICAL UPRIGHT
93625754	BUTÉE DE TIROR	BUFFER	93646172	MONTANT DROIT	RIGHT VERTICAL UPRIGHT
93626364	PIED	FOOT			

3012



93480317	THERMOSTAT DE SECURITE	FOUR CONTACTS THERMOSTAT	93620185	SUPPORT DE BROCHE	SPLIT SUPPORT
93485241	MOTEUR TOURNE-BROCHE	ROTISSERIE MOTOR	93621647	EDIERRE FIXATION	FIXING ANGLE
93490365	COMMANDE DE VERROUILLAGE	LOCKING COMMAND	93630028	ELEMENT VOUTE	TOP ELEMENT
93593846	DISQUE DE COMMANDE VERROU	DISC COMMAND	93632537	GRILLE	RACK
93594422	PLAT PROFOND	DEEP DISH	93633667	ELEMENT SOLE	BOTTOM ELEMENT
93617223	PLAQUE A PATISserie	PASTRY TRAY	93804425	1/2 VOILETS D & G	HALF FLAPS
93620177	BROCHE	SPLIT			



9355530	AXE D'ARTICULATION	SHAFT	93617066	JOINT DE VERRE INTERIEUR	INSIDE GLASS GASKET
93581098	JOINT EXT DE PORTE	DOOR INSIDE GASKET	93617074	DISTANCIER	SPACER
93582021	VERRE INTERMEDIAIRE	INTERMEDIARY GLASS	93626893	RESSORT DE PORTE	DOOR SPRING
93582542	JOINT FIBRE TRESSE	GASKET	93630945	CONTRE-PORTE	INTERNAL DOOR
93586600	SUPPORTI VERRE	GLASS SUPPORT	93639037	POIGNEE PH	HANDLE PH
93588788	COND DROIT	RIGHT HINGE ASSEMBLY	93902377	PATTE INF. GAUCHE	LOWER LEFT HINGE
93589323	COND GAUCHE	LEFT HINGE ASSEMBLY	93902385	PATTE INF. DROITE	LOWER RIGHT HINGE
93593622	SECTEUR	CURVED RACK	93903466	VERRE EXT. DE PORTE	OUTSIDE GLASS
93617041	VERRE INTERIEUR	INSIDE GLASS			