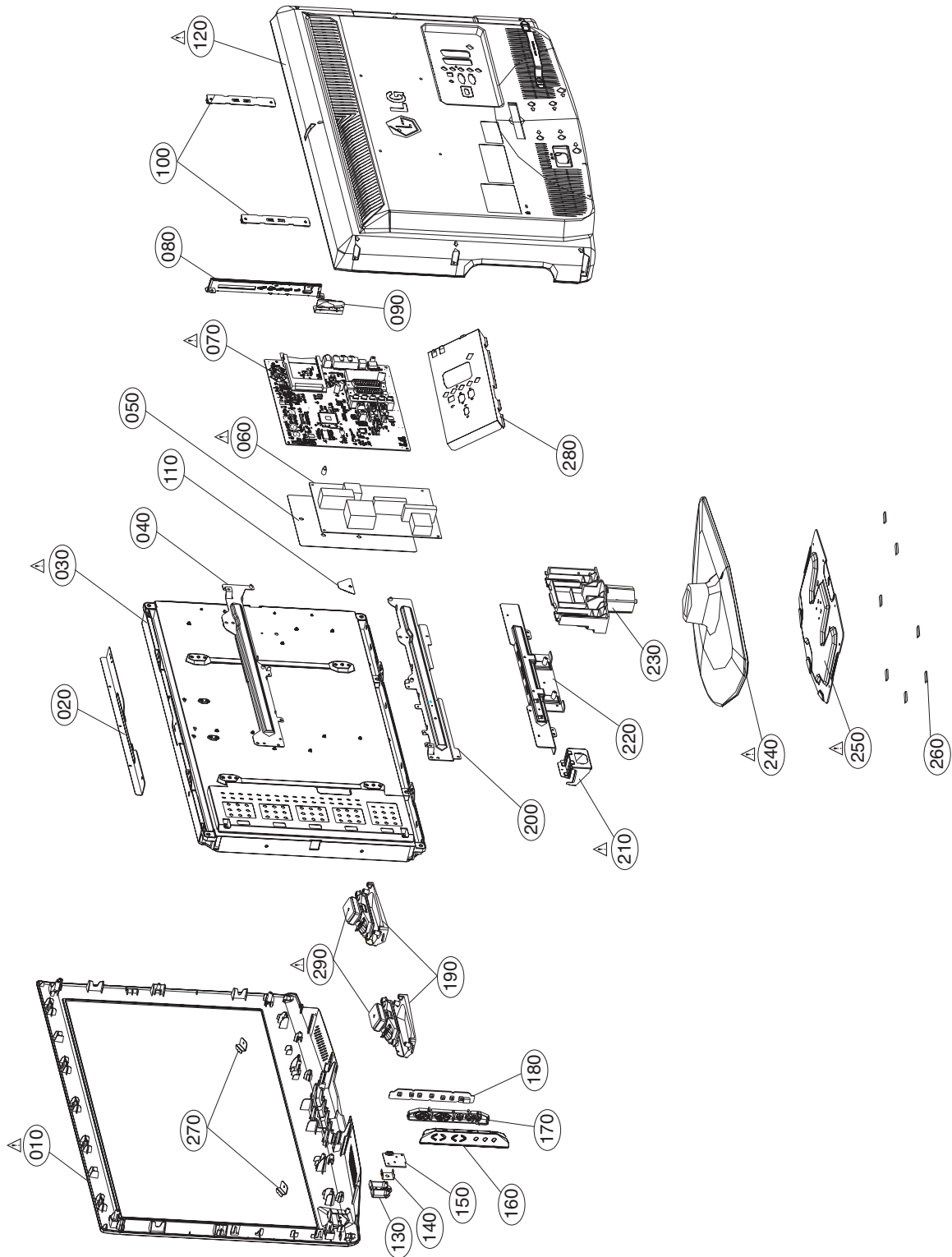


EXPLODED VIEW

IMPORTANT SAFETY NOTICE

Many electrical and mechanical parts in this chassis have special safety-related characteristics. These parts are identified by Δ in the Schematic Diagram and EXPLODED VIEW. It is essential that these special safety parts should be replaced with the same components as recommended in this manual to prevent X-RADIATION, Shock, Fire, or other Hazards. Do not modify the original design without permission of manufacturer.



EXPLODED VIEW PARTS LIST

No.	PART NO.	NO. TPV PART	DESCRIPTION	
△	010	ABJ69241601	A34T0780AESA1X0200	Cabinet Assembly 26LG3001-ZA _ 26" TPV Service Parts
	020	ADV69255001	A15T0415101	Frame Assembly 26LG3001-ZA _ 26" METAL BRACKET Support Top
	030	COV30055601	A15T0417101	750TVM260B1113N000 LCD MODULE(CMO) 26LG3000 TPV ODM
	040	ADV69255101	750TVM260B1113N000	Frame Assembly 26LG3001-ZA _ 26" Metal Top Bracket
	050	MEV58137101	Q52T6025 11650	Insulator PRESS PC 0.5T Triangle type of insulation sheet for power board
△	060	EBU57406201	ADPC82412AA1	26LG3000 BRAND TPV ODM POWER BOARD FOR (ADPC82412AA1)
△	070	EBU57405901	CBPF82BBA3	Main Total Assembly 26LG3000 BRAND MAIN BOARD (CBPF82BBA3)
	080	ABA69255201	A33T0415AES 1L0100	Bracket Assembly AV 26LG3001-ZA - SIDE AV Bracket_TPV
	090	MAZ58135901	Q15T0352101	Bracket PRESS SECC 0.5T AV SECC(EGI) TPV Serive Parts_AV Shield
	100	MAZ57580301	A15T0315101	Bracket PRESS H-GI 1.0 SBHG Wall Mount Bracket
	110	MEV58135701	Q52T6025 15247	Insulator PRESS PC 0.2 SUB PC 300*300 26LG3001-ZA_TPV
△	120	ACQ69260601	A34T0781AES 1L0100	Cover Assembly,Rear 26LG3001-ZA - 26" Back Assy
△	130	MEY57580002	A33T0409BCC 2L0100	Knob MOLD ABS MAIN 1 26LG3001-ZA_ODM POWER Button
△	140	MEV58137301	Q52T6025 15251	Insulator PRESS PC 0.5t SUB PC 80*80 Block type of IR Lens
	150	EBU57410602	IRPF8QC4	Main Total Assembly 19/22/26LG3000 BRAND IR BOARD(IRPF8AA8)
	160	MCK58135601	A33T0414AESA1L0100	Cover MOLD ABS HF380 ABS, HF-380 CONTROL BUTTON COVER
	170	MEY58135801	A33T0418BCJ 1L0100	Knob MOLD ABS HF-380 SUB S.KEY CONTROL KNOB
	180	EBU57410501	KEPF8AA7	Main Total Assembly BRAND TPV ODM LOCAL KEY BOARD(KEPF8AA7)
	190	ABA69260501	A33T0416AES 1L0100	Bracket Assembly SPEAKER BRACKET_ TPV SERVICE PARTS
			A33T0417AES 1L0100	
	200	MGJ58136201	A15T0418101	Plate,Metal PRESS EGI - FRAME EGI META BAR BOTTOM
△	210	MGJ58136601	A15T0420101	Plate,Metal PRESS EGI - FRAME EGI METAL AC INLET
	220	MGJ58136801	A15T0419101	Plate,Metal PRESS EGI - FRAME EGI 26" BRACKET_BASE SUPPORT
	230	MJH58137001	Q37T0094011	Supporter MOLD ABS STAND BODY MIDDLE(HINGE ASSY)
△	240	MCK58137201	A34T0782AEZ 1L0133	Cover MOLD ABS 26LG3001-ZA ABS STAND BASE COVER
△	250	MAM58137501	A15T0421101	Base PRESS EGI - BASE 26LG3001-ZA - METAL STAND BASE
	260	MCQ57579902	Q12T6100 1	Damper MOLD SANTOPRENE FOOT RUBBER GRAY
	270	MAZ58136901	Q15T0375101	Bracket PRESS EGI 0.5T - EGI Metal Bracket Supproter
	280	MGJ57579701	A85T0113101 S	Plate,Shield PRESS SPTE 0.5 SHIELD SPTE Main shield
△	290	COV30053502	078T 495 3 Y	OEM TPV 078T 495 3 Y SPEAKER 26LG3000-ZA 8ohm 5.5W 120X30mm

REPLACEMENT PARTS LIST

DATE:2008.7.26

*S	*AL	LOC.NO	PART NO.	DESCRIPTION/SPECIFICATION
MAIN BORRD				
CAPACITOR				
		C101	065T0402470 31	MLCC 0402 47PF J 50V NPO
		C102	065T0402473 12	MLCC 0402 47NF K 16V X7R
		C103	065T0603105 12	CHIP 1UF 16V X7R
		C104	065T0402473 12	MLCC 0402 47NF K 16V X7R
		C105	065T0402473 12	MLCC 0402 47NF K 16V X7R
		C106	065T0603105 12	CHIP 1UF 16V X7R
		C107	065T0402104 12	CAP CHIP 0402 0.1UF 16V X7R
		C108	065T0402470 31	MLCC 0402 47PF J 50V NPO
		C109	065T0805475 A5	CHIP 4.7UF 10V X5R
		C110	065T0603105 12	CHIP 1UF 16V X7R
		C111	065T0402104 12	CAP CHIP 0402 0.1UF 16V X7R
		C112	065T0805225 12	CHIP 2.2UF 16V X7R 0805
		C113	065T0805225 12	CHIP 2.2UF 16V X7R 0805
		C114	065T0402471 32	CHIP 470PF 50V X7R
		C115	065T0402471 32	CHIP 470PF 50V X7R
		C116	065T0402330 31	33PF +-50% 50V NPO
		C117	065T0402330 31	33PF +-50% 50V NPO
		C118	065T0603105 12	CHIP 1UF 16V X7R
		C119	065T0402104 12	CAP CHIP 0402 0.1UF 16V X7R
		C120	065T0402473 12	MLCC 0402 47NF K 16V X7R
		C121	065T0603105 12	CHIP 1UF 16V X7R
		C122	065T0402104 12	CAP CHIP 0402 0.1UF 16V X7R
		C123	065T0402470 31	MLCC 0402 47PF J 50V NPO
		C124	065T0603105 12	CHIP 1UF 16V X7R
		C125	065T0402473 12	MLCC 0402 47NF K 16V X7R
		C126	065T0402470 31	MLCC 0402 47PF J 50V NPO
		C127	065T0603105 12	CHIP 1UF 16V X7R
		C128	065T040210322K M	MLCC 0402 CAP 0.01UF 25V X7R
		C129	065T040215031J M	MLCC 0402 CAP 15PF 50V NPO
		C130	065T040210322K M	MLCC 0402 CAP 0.01UF 25V X7R
		C131	065T040210322K M	MLCC 0402 CAP 0.01UF 25V X7R
		C132	065T040215031J M	MLCC 0402 CAP 15PF 50V NPO
		C133	065T040210322K M	MLCC 0402 CAP 0.01UF 25V X7R
		C134	065T040215031J M	MLCC 0402 CAP 15PF 50V NPO
		C135	065T040210322K M	MLCC 0402 CAP 0.01UF 25V X7R
		C136	065T0805225 12	CHIP 2.2UF 16V X7R 0805
		C137	065T0805225 12	CHIP 2.2UF 16V X7R 0805
		C138	065T0402471 32	CHIP 470PF 50V X7R
		C139	065T0402471 32	CHIP 470PF 50V X7R
		C140	065T0402330 31	33PF +-50% 50V NPO

	C141	065T0402330 31	33PF +-50% 50V NPO
	C142	065T0603473 32	CHIP 0.047UF 50V X7R
	C143	065T0603470 32	CHIP 47PF 50V X7R
	C144	065T0402471 32	CHIP 470PF 50V X7R
	C145	065T0402471 32	CHIP 470PF 50V X7R
	C146	065T0603105 12	CHIP 1UF 16V X7R
	C147	065T0603103 32	CHIP 0.01UF 50V X7R
	C148	065T0603150 31	CHIP 15PF 50V NPO
	C149	065T0603105 12	CHIP 1UF 16V X7R
	C150	065T0603104 32	CHIP 0.1UF 50V X7R
	C151	067T215Y4704KT	EC CAP.105 °C
	C153	065T0603105 12	CHIP 1UF 16V X7R
	C154	065T0805106 A7	CHIP 10UF 10V Y5V 0805
	C155	065T0402104 12	CAP CHIP 0402 0.1UF 16V X7R
	C156	067T 305101 3T	100UF 16V 105C
	C157	065T0603105 12	CHIP 1UF 16V X7R
	C158	065T0402104 12	CAP CHIP 0402 0.1UF 16V X7R
	C160	065T0402104 12	CAP CHIP 0402 0.1UF 16V X7R
	C161	067T 305221 3T	220UF/16V
	C162	065T0402104 12	CAP CHIP 0402 0.1UF 16V X7R
	C163	065T0402105 05	MLCC 0402 1UF K 6.3V X5R
	C164	065T0805106 A7	CHIP 10UF 10V Y5V 0805
	C165	065T0402104 12	CAP CHIP 0402 0.1UF 16V X7R
	C166	065T0603104 22	CHIP 0.1UF 25V
	C167	065T0805106 A7	CHIP 10UF 10V Y5V 0805
	C168	065T0805106 A7	CHIP 10UF 10V Y5V 0805
	C169	065T0805106 A7	CHIP 10UF 10V Y5V 0805
	C170	065T0805106 A7	CHIP 10UF 10V Y5V 0805
	C171	065T0402104 12	CAP CHIP 0402 0.1UF 16V X7R
	C172	065T0402104 12	CAP CHIP 0402 0.1UF 16V X7R
	C173	065T0402104 12	CAP CHIP 0402 0.1UF 16V X7R
	C174	065T0402104 12	CAP CHIP 0402 0.1UF 16V X7R
	C175	065T0402104 12	CAP CHIP 0402 0.1UF 16V X7R
	C176	065T0402104 12	CAP CHIP 0402 0.1UF 16V X7R
	C177	065T0805106 A7	CHIP 10UF 10V Y5V 0805
	C178	065T0805106 A7	CHIP 10UF 10V Y5V 0805
	C179	065T0402104 12	CAP CHIP 0402 0.1UF 16V X7R
	C180	065T0402104 12	CAP CHIP 0402 0.1UF 16V X7R
	C181	065T0805106 A7	CHIP 10UF 10V Y5V 0805
	C182	065T0603105 12	CHIP 1UF 16V X7R
	C183	065T0402104 12	CAP CHIP 0402 0.1UF 16V X7R
	C184	065T0805106 A7	CHIP 10UF 10V Y5V 0805
	C185	065T0603105 12	CHIP 1UF 16V X7R
	C186	065T0402104 12	CAP CHIP 0402 0.1UF 16V X7R
	C187	065T0402100 31	CAP 0402 10PF J 50V NPO
	C188	065T0402270 31	CHIP 27PF 50V

	C189	065T0402270 31	CHIP 27PF 50V
	C190	065T0402100 31	CAP 0402 10PF J 50V NPO
	C191	065T0402100 31	CAP 0402 10PF J 50V NPO
	C192	065T0805106 A7	CHIP 10UF 10V Y5V 0805
	C193	065T0805106 A7	CHIP 10UF 10V Y5V 0805
	C194	065T0402100 31	CAP 0402 10PF J 50V NPO
	C195	065T0402100 31	CAP 0402 10PF J 50V NPO
	C196	065T0402100 31	CAP 0402 10PF J 50V NPO
	C197	065T0402100 31	CAP 0402 10PF J 50V NPO
	C198	065T0402104 12	CAP CHIP 0402 0.1UF 16V X7R
	C199	065T0402104 12	CAP CHIP 0402 0.1UF 16V X7R
	C201	065T0603103 12	CHIP 0.01UF 16V X7R
	C202	065T0603103 12	CHIP 0.01UF 16V X7R
	C203	065T0402104 12	CAP CHIP 0402 0.1UF 16V X7R
	C204	065T0805106 A7	CHIP 10UF 10V Y5V 0805
	C206	065T0603103 12	CHIP 0.01UF 16V X7R
	C213	065T0402104 12	CAP CHIP 0402 0.1UF 16V X7R
	C214	067T215Y4704KT	EC CAP.105 °C
	C216	065T0402104 12	CAP CHIP 0402 0.1UF 16V X7R
	C218	065T0402104 12	CAP CHIP 0402 0.1UF 16V X7R
	C219	065T0603470 32	CHIP 47PF 50V X7R
	C220	065T0402102 32	1000PF +-10% 50V X7R
	C222	065T0805106 A7	CHIP 10UF 10V Y5V 0805
	C223	065T0402104 12	CAP CHIP 0402 0.1UF 16V X7R
	C224	065T0402104 12	CAP CHIP 0402 0.1UF 16V X7R
	C225	065T0402104 12	CAP CHIP 0402 0.1UF 16V X7R
	C226	065T0402104 12	CAP CHIP 0402 0.1UF 16V X7R
	C227	065T0402104 12	CAP CHIP 0402 0.1UF 16V X7R
	C228	065T0402102 32	1000PF +-10% 50V X7R
	C229	065T0402224 A7	CAP 0402 0.22UF Z 10V
	C230	065T0402224 A7	CAP 0402 0.22UF Z 10V
	C231	065T0805106 A7	CHIP 10UF 10V Y5V 0805
	C232	065T0402104 12	CAP CHIP 0402 0.1UF 16V X7R
	C233	065T0402104 12	CAP CHIP 0402 0.1UF 16V X7R
	C234	065T0402104 12	CAP CHIP 0402 0.1UF 16V X7R
	C235	065T0402104 12	CAP CHIP 0402 0.1UF 16V X7R
	C236	065T0402224 A7	CAP 0402 0.22UF Z 10V
	C237	065T0402473 12	MLCC 0402 47NF K 16V X7R
	C238	065T0805106 A7	CHIP 10UF 10V Y5V 0805
	C239	065T0402104 12	CAP CHIP 0402 0.1UF 16V X7R
	C240	065T0402104 12	CAP CHIP 0402 0.1UF 16V X7R
	C241	065T0402270 31	CHIP 27PF 50V
	C242	065T0402104 12	CAP CHIP 0402 0.1UF 16V X7R
	C243	065T0402270 31	CHIP 27PF 50V
	C244	065T0402104 12	CAP CHIP 0402 0.1UF 16V X7R
	C245	065T0805106 A7	CHIP 10UF 10V Y5V 0805

	C246	065T0402100 31	CAP 0402 10PF J 50V NPO
	C248	065T0402220 31	CHIP 22PF 50V NPO
	C249	065T0402220 31	CHIP 22PF 50V NPO
	C250	065T0402100 31	CAP 0402 10PF J 50V NPO
	C251	065T0603339 31	CHIP 3.3PF 50V NPO
	C252	065T0603682 32	CHIP 0.0068UF 50V X7R 0603
	C253	065T0603682 32	CHIP 0.0068UF 50V X7R 0603
	C254	065T0603561 31	CHIP 560PF 50V NPO
	C255	065T0603561 31	CHIP 560PF 50V NPO
	C256	065T0603222 31	CAP CHIP 0603 2200PF J 50V NPO
	C257	065T0603222 31	CAP CHIP 0603 2200PF J 50V NPO
	C258	065T0603561 31	CHIP 560PF 50V NPO
	C259	065T0603561 31	CHIP 560PF 50V NPO
	C409	065T0402104 12	CAP CHIP 0402 0.1UF 16V X7R
	C410	065T0402104 12	CAP CHIP 0402 0.1UF 16V X7R
	C411	065T0603105 12	CHIP 1UF 16V X7R
	C412	065T0603105 12	CHIP 1UF 16V X7R
	C413	065T0603105 12	CHIP 1UF 16V X7R
	C415	065T0603105 12	CHIP 1UF 16V X7R
	C416	065T0402104 12	CAP CHIP 0402 0.1UF 16V X7R
	C417	065T0402104 12	CAP CHIP 0402 0.1UF 16V X7R
	C418	065T0402104 12	CAP CHIP 0402 0.1UF 16V X7R
	C419	065T0805475 A5	CHIP 4.7UF 10V X5R
	C420	065T0603105 12	CHIP 1UF 16V X7R
	C421	065T0805475 A5	CHIP 4.7UF 10V X5R
	C422	065T0603105 12	CHIP 1UF 16V X7R
	C423	065T0402104 12	CAP CHIP 0402 0.1UF 16V X7R
	C424	065T0402104 12	CAP CHIP 0402 0.1UF 16V X7R
	C425	065T0402104 12	CAP CHIP 0402 0.1UF 16V X7R
	C426	065T0402104 12	CAP CHIP 0402 0.1UF 16V X7R
	C427	065T0402104 12	CAP CHIP 0402 0.1UF 16V X7R
	C428	065T0402104 12	CAP CHIP 0402 0.1UF 16V X7R
	C429	065T0402104 12	CAP CHIP 0402 0.1UF 16V X7R
	C430	065T0402104 12	CAP CHIP 0402 0.1UF 16V X7R
	C431	065T0402104 12	CAP CHIP 0402 0.1UF 16V X7R
	C432	065T0805475 A5	CHIP 4.7UF 10V X5R
	C433	065T0603105 12	CHIP 1UF 16V X7R
	C434	065T0402104 12	CAP CHIP 0402 0.1UF 16V X7R
	C435	065T0402104 12	CAP CHIP 0402 0.1UF 16V X7R
	C436	065T0402104 12	CAP CHIP 0402 0.1UF 16V X7R
	C437	065T0402104 12	CAP CHIP 0402 0.1UF 16V X7R
	C438	065T0402104 12	CAP CHIP 0402 0.1UF 16V X7R
	C439	065T0402104 12	CAP CHIP 0402 0.1UF 16V X7R
	C440	065T0402104 12	CAP CHIP 0402 0.1UF 16V X7R
	C441	067T 305100 3T	10UF 16V
	C442	065T0402104 12	CAP CHIP 0402 0.1UF 16V X7R

	C443	067T 305101 3T	100UF 16V 105C
	C444	065T0603105 12	CHIP 1UF 16V X7R
	C445	065T0402104 12	CAP CHIP 0402 0.1UF 16V X7R
	C446	065T0603105 12	CHIP 1UF 16V X7R
	C447	065T0402104 12	CAP CHIP 0402 0.1UF 16V X7R
	C448	065T0805475 A5	CHIP 4.7UF 10V X5R
	C449	065T0603105 12	CHIP 1UF 16V X7R
	C450	065T0402104 12	CAP CHIP 0402 0.1UF 16V X7R
	C451	065T0603105 12	CHIP 1UF 16V X7R
	C452	065T0402104 12	CAP CHIP 0402 0.1UF 16V X7R
	C453	065T0603105 12	CHIP 1UF 16V X7R
	C454	065T0402104 12	CAP CHIP 0402 0.1UF 16V X7R
	C455	065T0805475 A5	CHIP 4.7UF 10V X5R
	C456	065T0402104 12	CAP CHIP 0402 0.1UF 16V X7R
	C457	065T0402100 31	CAP 0402 10PF J 50V NPO
	C458	065T0402100 31	CAP 0402 10PF J 50V NPO
	C459	065T0402102 32	1000PF +-10% 50V X7R
	C460	065T0805475 A5	CHIP 4.7UF 10V X5R
	C461	065T0603224 32	MLCC 0603 0.22UF K 50V X7R
	C462	065T0805475 A5	CHIP 4.7UF 10V X5R
	C463	065T0603105 12	CHIP 1UF 16V X7R
	C464	065T0402104 12	CAP CHIP 0402 0.1UF 16V X7R
	C465	065T0402102 32	1000PF +-10% 50V X7R
	C466	065T0402102 32	1000PF +-10% 50V X7R
	C467	065T0603105 12	CHIP 1UF 16V X7R
	C468	065T0402104 12	CAP CHIP 0402 0.1UF 16V X7R
	C469	065T0603105 12	CHIP 1UF 16V X7R
	C470	065T0402104 12	CAP CHIP 0402 0.1UF 16V X7R
	C471	065T0402104 12	CAP CHIP 0402 0.1UF 16V X7R
	C473	065T0402104 12	CAP CHIP 0402 0.1UF 16V X7R
	C474	065T0402101 31	MLCC 0402 100PF J 50V NPO
	C475	065T0402104 12	CAP CHIP 0402 0.1UF 16V X7R
	C476	065T0402104 12	CAP CHIP 0402 0.1UF 16V X7R
	C477	065T0402104 12	CAP CHIP 0402 0.1UF 16V X7R
	C478	065T0402104 12	CAP CHIP 0402 0.1UF 16V X7R
	C501	065T0603105 12	CHIP 1UF 16V X7R
	C502	067T 305100 3T	10UF 16V
	C503	065T0402104 12	CAP CHIP 0402 0.1UF 16V X7R
	C504	065T0402104 12	CAP CHIP 0402 0.1UF 16V X7R
	C505	065T0402104 12	CAP CHIP 0402 0.1UF 16V X7R
	C506	065T0402104 12	CAP CHIP 0402 0.1UF 16V X7R
	C507	065T0402104 12	CAP CHIP 0402 0.1UF 16V X7R
	C508	065T0402104 12	CAP CHIP 0402 0.1UF 16V X7R
	C509	065T0402104 12	CAP CHIP 0402 0.1UF 16V X7R
	C510	065T0402104 12	CAP CHIP 0402 0.1UF 16V X7R
	C511	065T0402104 12	CAP CHIP 0402 0.1UF 16V X7R

		C512	065T0603224 32	MLCC 0603 0.22UF K 50V X7R
		C513	065T0603224 32	MLCC 0603 0.22UF K 50V X7R
		C514	065T0402104 12	CAP CHIP 0402 0.1UF 16V X7R
		C515	065T0805475 A5	CHIP 4.7UF 10V X5R
		C516	065T040210322K M	MLCC 0402 CAP 0.01UF 25V X7R
		C517	065T0402104 12	CAP CHIP 0402 0.1UF 16V X7R
		C518	065T0805475 A5	CHIP 4.7UF 10V X5R
		C519	065T0402104 12	CAP CHIP 0402 0.1UF 16V X7R
		C520	065T0805106 A7	CHIP 10UF 10V Y5V 0805
		C521	065T0805475 A5	CHIP 4.7UF 10V X5R
		C522	065T0402104 12	CAP CHIP 0402 0.1UF 16V X7R
		C523	065T0603105 12	CHIP 1UF 16V X7R
		C524	065T0805475 A5	CHIP 4.7UF 10V X5R
		C525	065T040210322K M	MLCC 0402 CAP 0.01UF 25V X7R
		C526	065T0402104 12	CAP CHIP 0402 0.1UF 16V X7R
		C527	065T0805475 A5	CHIP 4.7UF 10V X5R
		C528	065T0402104 12	CAP CHIP 0402 0.1UF 16V X7R
		C529	065T0603105 12	CHIP 1UF 16V X7R
		C530	065T0603105 12	CHIP 1UF 16V X7R
		C531	065T0805475 A5	CHIP 4.7UF 10V X5R
		C532	065T0402104 12	CAP CHIP 0402 0.1UF 16V X7R
		C533	065T0603101 31	CHIP 100PF 50V NPO
		C534	065T0402472 22	BHIP 4700PF 25V X7R
		C535	065T040210322K M	MLCC 0402 CAP 0.01UF 25V X7R
		C536	065T040210322K M	MLCC 0402 CAP 0.01UF 25V X7R
		C537	065T040210322K M	MLCC 0402 CAP 0.01UF 25V X7R
		C538	065T040210322K M	MLCC 0402 CAP 0.01UF 25V X7R
		C539	065T0603101 31	CHIP 100PF 50V NPO
		C540	065T040210322K M	MLCC 0402 CAP 0.01UF 25V X7R
		C541	065T0603101 31	CHIP 100PF 50V NPO
		C542	065T0603105 12	CHIP 1UF 16V X7R
		C543	065T0402104 12	CAP CHIP 0402 0.1UF 16V X7R
		C544	065T0805106 A7	CHIP 10UF 10V Y5V 0805
		C545	065T0402104 12	CAP CHIP 0402 0.1UF 16V X7R
		C546	065T0402471 32	CHIP 470PF 50V X7R
		C547	065T0402471 32	CHIP 470PF 50V X7R
		C548	065T0603105 12	CHIP 1UF 16V X7R
		C549	065T0402104 12	CAP CHIP 0402 0.1UF 16V X7R
		C550	065T0402472 22	BHIP 4700PF 25V X7R
		C551	065T040210322K M	MLCC 0402 CAP 0.01UF 25V X7R
		C552	065T0603509 31	CHIP 5PF 50V NPO
		C553	065T040210322K M	MLCC 0402 CAP 0.01UF 25V X7R
		C554	065T040210322K M	MLCC 0402 CAP 0.01UF 25V X7R
		C555	065T0603509 31	CHIP 5PF 50V NPO
		C556	065T040210322K M	MLCC 0402 CAP 0.01UF 25V X7R
		C557	065T0603509 31	CHIP 5PF 50V NPO

	C558	065T040210322K M	MLCC 0402 CAP 0.01UF 25V X7R
	C559	065T0603509 31	CHIP 5PF 50V NPO
	C560	065T040210322K M	MLCC 0402 CAP 0.01UF 25V X7R
	C561	065T0603509 31	CHIP 5PF 50V NPO
	C562	065T0603224 32	MLCC 0603 0.22UF K 50V X7R
	C563	065T0805106 A7	CHIP 10UF 10V Y5V 0805
	C564	065T0805106 A7	CHIP 10UF 10V Y5V 0805
	C565	065T0402471 32	CHIP 470PF 50V X7R
	C566	065T0402471 32	CHIP 470PF 50V X7R
	C567	065T0402330 31	33PF +-50% 50V NPO
	C568	065T0402330 31	33PF +-50% 50V NPO
	C569	065T0402104 12	CAP CHIP 0402 0.1UF 16V X7R
	C601	065T0603104 32	CHIP 0.1UF 50V X7R
	C602	065T0805105 22	CHIP 1UF 25V X7R 0805
	C603	065T0603331 32	CHIP 330PF 50V X7R
	C604	065T0603104 22	CHIP 0.1UF 25V
	C605	065T0805105 22	CHIP 1UF 25V X7R 0805
	C606	065T0603104 32	CHIP 0.1UF 50V X7R
	C607	065T0603153 32	CHIP 0.015UF 50V X7R 0603
	C608	065T0603471 32	CHIP 470PF 50V NPO
	C609	065T0603474 12	CHIP 0.47UF 16V X7R
	C611	064T176J684 0T	FILM CAP 0.68UF 63V
	C612	067T215L681 4N	CAP L105°C 680UF M 25V NCC
	C613	065T0603104 22	CHIP 0.1UF 25V
	C614	065T0603104 22	CHIP 0.1UF 25V
	C615	067T215L681 4N	CAP L105°C 680UF M 25V NCC
	C617	064T176J684 0T	FILM CAP 0.68UF 63V
	C618	067T215Y4704KT	EC CAP.105 °C
	C619	065T0603153 32	CHIP 0.015UF 50V X7R 0603
	C620	065T0603471 32	CHIP 470PF 50V NPO
	C621	065T0603104 22	CHIP 0.1UF 25V
	C622	065T0603104 22	CHIP 0.1UF 25V
	C623	065T0603104 32	CHIP 0.1UF 50V X7R
	C624	065T0805105 22	CHIP 1UF 25V X7R 0805
	C625	065T0603331 32	CHIP 330PF 50V X7R
	C626	065T0603104 22	CHIP 0.1UF 25V
	C627	065T0603104 22	CHIP 0.1UF 25V
	C628	065T0805105 22	CHIP 1UF 25V X7R 0805
	C629	067T215V471 6N	EC L105°C 470UF M 35V NCC
	C630	067T215V471 6N	EC L105°C 470UF M 35V NCC
	C631	067T 3053313PT	E.C 330UF M 16V 8*12
	C632	065T0603104 32	CHIP 0.1UF 50V X7R
	C633	065T0402104 12	CAP CHIP 0402 0.1UF 16V X7R
	C634	067T 305221 3T	220UF/16V
	C635	065T0805104 32	CHIP 0.1UF 50V X7R
	C638	065T0805106 A7	CHIP 10UF 10V Y5V 0805

	C639	067T 309221 2	220UF +-20% 10V
	C640	065T0402104 12	CAP CHIP 0402 0.1UF 16V X7R
	C641	065T0603152 31	CHIP 1500PF 50V NPO
	C642	065T0603152 31	CHIP 1500PF 50V NPO
	C645	067T 305100 3T	10UF 16V
	C649	065T0805106 A7	CHIP 10UF 10V Y5V 0805
	C650	067T 309221 2	220UF +-20% 10V
	C658	065T0805475 15	CHIP 4.7UF 16V X5R
	C659	065T0805475 15	CHIP 4.7UF 16V X5R
	C661	065T0402101 32	100PF +-10% 50V X7R
	C662	065T0805106 A7	CHIP 10UF 10V Y5V 0805
	C663	065T0805106 A7	CHIP 10UF 10V Y5V 0805
	C664	065T0805106 A7	CHIP 10UF 10V Y5V 0805
	C665	065T0603222 22	MLCC 0603 2200PF K 25V X7R
	C666	065T0603102 32	CHIP 1000PF 50V X7R
	C667	065T0603102 32	CHIP 1000PF 50V X7R
	C668	065T0805106 A7	CHIP 10UF 10V Y5V 0805
	C669	065T0805106 A7	CHIP 10UF 10V Y5V 0805
	C670	065T0805106 A7	CHIP 10UF 10V Y5V 0805
	C671	065T0402101 32	100PF +-10% 50V X7R
	C672	065T0603222 22	MLCC 0603 2200PF K 25V X7R
	C673	065T0805106 A7	CHIP 10UF 10V Y5V 0805
	C674	067T 305100 3T	10UF 16V
	C675	065T0603104 32	CHIP 0.1UF 50V X7R
	C676	067T 305100 3T	10UF 16V
	C677	065T0603104 32	CHIP 0.1UF 50V X7R
	C678	065T0805106 A7	CHIP 10UF 10V Y5V 0805
	C679	065T0603104 32	CHIP 0.1UF 50V X7R
	C680	065T0805106 A7	CHIP 10UF 10V Y5V 0805
	C681	065T0805106 A7	CHIP 10UF 10V Y5V 0805
	C682	065T0805106 A7	CHIP 10UF 10V Y5V 0805
	C683	065T0805106 A7	CHIP 10UF 10V Y5V 0805
	C684	065T0805106 A7	CHIP 10UF 10V Y5V 0805
	C685	065T0805106 A7	CHIP 10UF 10V Y5V 0805
	C686	065T0805106 A7	CHIP 10UF 10V Y5V 0805
	C687	065T0402330 31	33PF +-50% 50V NPO
	C688	065T0402330 31	33PF +-50% 50V NPO
	C689	065T0805106 A7	CHIP 10UF 10V Y5V 0805
	C690	065T0805106 A7	CHIP 10UF 10V Y5V 0805
	C691	065T0805106 A7	CHIP 10UF 10V Y5V 0805
	C692	065T0603222 22	MLCC 0603 2200PF K 25V X7R
	C693	065T0603222 22	MLCC 0603 2200PF K 25V X7R
	C694	065T0805106 A7	CHIP 10UF 10V Y5V 0805
	C695	065T0805106 A7	CHIP 10UF 10V Y5V 0805
	C696	065T0603152 31	CHIP 1500PF 50V NPO
	C697	065T0603152 31	CHIP 1500PF 50V NPO

		C698	065T0402101 32	100PF +-10% 50V X7R
		C699	065T0402101 32	100PF +-10% 50V X7R
		C701	065T0402104 12	CAP CHIP 0402 0.1UF 16V X7R
		C702	067T 305101 3T	100UF 16V 105C
		C703	067T 305101 3T	100UF 16V 105C
		C704	065T0402104 12	CAP CHIP 0402 0.1UF 16V X7R
		C705	065T0402104 12	CAP CHIP 0402 0.1UF 16V X7R
		C706	065T0402104 12	CAP CHIP 0402 0.1UF 16V X7R
		C707	065T0402104 12	CAP CHIP 0402 0.1UF 16V X7R
		C708	065T0402104 12	CAP CHIP 0402 0.1UF 16V X7R
		C709	065T0402104 12	CAP CHIP 0402 0.1UF 16V X7R
		C710	065T0402104 12	CAP CHIP 0402 0.1UF 16V X7R
		C711	065T0805475 A5	CHIP 4.7UF 10V X5R
		C712	065T0402104 12	CAP CHIP 0402 0.1UF 16V X7R
		C713	065T0805475 A5	CHIP 4.7UF 10V X5R
		C714	065T0402104 12	CAP CHIP 0402 0.1UF 16V X7R
		C715	065T0402104 12	CAP CHIP 0402 0.1UF 16V X7R
		C716	065T0402104 12	CAP CHIP 0402 0.1UF 16V X7R
		C717	065T0402104 12	CAP CHIP 0402 0.1UF 16V X7R
		C718	065T0402104 12	CAP CHIP 0402 0.1UF 16V X7R
		C719	065T0402104 12	CAP CHIP 0402 0.1UF 16V X7R
		C720	065T0402104 12	CAP CHIP 0402 0.1UF 16V X7R
		C721	065T0805475 A5	CHIP 4.7UF 10V X5R
		C722	065T0402104 12	CAP CHIP 0402 0.1UF 16V X7R
		C723	065T0402104 12	CAP CHIP 0402 0.1UF 16V X7R
		C724	065T0402104 12	CAP CHIP 0402 0.1UF 16V X7R
		C725	065T0805475 A5	CHIP 4.7UF 10V X5R
		C726	065T0402104 12	CAP CHIP 0402 0.1UF 16V X7R
		C727	067T215L471 2N	ELCAP 105°C 470UF M 10V
		C728	065T0402104 12	CAP CHIP 0402 0.1UF 16V X7R
		C729	065T0603105 12	CHIP 1UF 16V X7R
		C730	065T0805106 A7	CHIP 10UF 10V Y5V 0805
		C731	067T 2152207RT	22UF +-20%
		C732	065T0402104 12	CAP CHIP 0402 0.1UF 16V X7R
		C733	065T0603105 12	CHIP 1UF 16V X7R
		C734	065T0402104 12	CAP CHIP 0402 0.1UF 16V X7R
		C735	065T040210322K M	MLCC 0402 CAP 0.01UF 25V X7R
		C736	065T040210322K M	MLCC 0402 CAP 0.01UF 25V X7R
		C737	065T040210322K M	MLCC 0402 CAP 0.01UF 25V X7R
		C738	065T040210322K M	MLCC 0402 CAP 0.01UF 25V X7R
		C739	065T0805106 A7	CHIP 10UF 10V Y5V 0805
		C740	065T0805106 A7	CHIP 10UF 10V Y5V 0805
		C741	065T0805106 A7	CHIP 10UF 10V Y5V 0805
		C742	065T0805106 A7	CHIP 10UF 10V Y5V 0805
		C743	065T0603105 12	CHIP 1UF 16V X7R
		C7901	065T0603473 32	CHIP 0.047UF 50V X7R

		C7903	067T 305101 3T	100UF 16V 105C
		C7904	065T0805106 A7	CHIP 10UF 10V Y5V 0805
		C7905	065T0805104 22	0.1UF +-10% 25V X7R 0805
		C7906	065T0603105 12	CHIP 1UF 16V X7R
		C7907	065T0603474 12	CHIP 0.47UF 16V X7R
		C7908	065T0603221 32	CHIP 220PF 50V X7R
		C7909	067T 305101 3T	100UF 16V 105C
		C7910	067T 305101 3T	100UF 16V 105C
		C7911	065T0805104 22	0.1UF +-10% 25V X7R 0805
		C7912	065T0805104 22	0.1UF +-10% 25V X7R 0805
		C7913	065T0603105 12	CHIP 1UF 16V X7R
		C7914	065T0805104 22	0.1UF +-10% 25V X7R 0805
		C7915	067T215B4713PV	EC 470UF M 16V 10*13
		C7916	065T0805104 22	0.1UF +-10% 25V X7R 0805
		C7917	065T0603105 12	CHIP 1UF 16V X7R
		C7918	065T0603105 12	CHIP 1UF 16V X7R
		C7920	067T 305101 3T	100UF 16V 105C
		C7921	067T 305101 3T	100UF 16V 105C
		C7922	067T 305101 3T	100UF 16V 105C
		C7924	067T215L471 2N	ELCAP 105°C 470UF M 10V
		C7925	065T0805104 22	0.1UF +-10% 25V X7R 0805
		C7926	065T0805106 A7	CHIP 10UF 10V Y5V 0805
		C7927	065T0805104 22	0.1UF +-10% 25V X7R 0805
		C7928	067T 305471 3T	105°C 470UF +-20% 16V
		C7929	065T0805104 22	0.1UF +-10% 25V X7R 0805
		C7930	065T040210322K M	MLCC 0402 CAP 0.01UF 25V X7R
		C7931	065T0805104 22	0.1UF +-10% 25V X7R 0805
		C7932	067T 305101 3T	100UF 16V 105C
		C7933	065T0805105 22	CHIP 1UF 25V X7R 0805
		C7935	065T0805104 22	0.1UF +-10% 25V X7R 0805
		C7936	067T215L471 2N	ELCAP 105°C 470UF M 10V
		C7937	067T215B101 4T	105°C RADIAL E-CAPACTOR 100UF 25V
		C7938	065T0805104 22	0.1UF +-10% 25V X7R 0805
		C7939	067T215L471 2N	ELCAP 105°C 470UF M 10V
		C7940	065T0805104 22	0.1UF +-10% 25V X7R 0805
		C7941	065T0805104 22	0.1UF +-10% 25V X7R 0805
		C7942	065T040210322K M	MLCC 0402 CAP 0.01UF 25V X7R
		C7943	067T 305100 4T	CAP 105°C 10UF M 25V 5*11
		C7944	065T0805104 22	0.1UF +-10% 25V X7R 0805
		C7945	067T215S471 4N	CAP 105°C 470UF M 25V
		C7946	065T0805475A2K T	CAP CHIP 0805 4.7UF K 10V X7R
		C7947	065T1206106 25	CHIP 10UF 25V X5R 1206
DOIDE				
		D501	093T 64 37 N	V-PORT-0603-100K V05
		D502	093T 60S 34 T	DIODE SCS140V 1A/40V SC-76
		D503	093T 64 37 N	V-PORT-0603-100K V05

	D504	093T 64 37 N	V-PORT-0603-100K V05
	D506	093T 60230	BAT54C BY MCC
	D507	093T 60230	BAT54C BY MCC
	D508	093T 64 37 N	V-PORT-0603-100K V05
	D509	093T 64 37 N	V-PORT-0603-100K V05
	D510	093T 64 37 N	V-PORT-0603-100K V05
	D512	093T 60230	BAT54C BY MCC
	D601	093T 64S522SEM	DIODE LL4148 SEMTECH
	D602	093T 64S522SEM	DIODE LL4148 SEMTECH
	D603	093T 64S522SEM	DIODE LL4148 SEMTECH
	D604	093T 64S522SEM	DIODE LL4148 SEMTECH
	D605	093T 64S522SEM	DIODE LL4148 SEMTECH
	D7901	093T2004 2A	SM240A DO-214AC
	D7902	093T 64S522SEM	DIODE LL4148 SEMTECH
	D7903	093T3004 3	SM340A DO-214AC BY SECOS
	D7904	093T3004 3	SM340A DO-214AC BY SECOS
	ZD101	093T 64 37 N	V-PORT-0603-100K V05
	ZD102	093T 39S 34 T	UDZSNP5.6B ROHM
	ZD103	093T 39S 34 T	UDZSNP5.6B ROHM
	ZD104	093T 64 37 N	V-PORT-0603-100K V05
	ZD105	093T 39S 34 T	UDZSNP5.6B ROHM
	ZD106	093T 39S 34 T	UDZSNP5.6B ROHM
	ZD107	093T 39S 34 T	UDZSNP5.6B ROHM
	ZD108	093T 39S 34 T	UDZSNP5.6B ROHM
	ZD109	093T 39S 34 T	UDZSNP5.6B ROHM
	ZD110	093T 39S 34 T	UDZSNP5.6B ROHM
	ZD111	093T 39S 40 T	RLZ 13B LLDS
	ZD112	093T 64 37 N	V-PORT-0603-100K V05
	ZD113	093T 64 37 N	V-PORT-0603-100K V05
	ZD114	093T 39S 34 T	UDZSNP5.6B ROHM
	ZD115	093T 64 37 N	V-PORT-0603-100K V05
	ZD116	093T 64 37 N	V-PORT-0603-100K V05
	ZD117	093T 39S 34 T	UDZSNP5.6B ROHM
	ZD118	093T 64 37 N	V-PORT-0603-100K V05
	ZD119	093T 64 37 N	V-PORT-0603-100K V05
	ZD120	093T 39S 40 T	RLZ 13B LLDS
	ZD121	093T 39S 34 T	UDZSNP5.6B ROHM
	ZD401	093T 64 37 N	V-PORT-0603-100K V05
	ZD402	093T 64 37 N	V-PORT-0603-100K V05
	ZD403	093T 39S 34 T	UDZSNP5.6B ROHM
	ZD404	093T 39S 34 T	UDZSNP5.6B ROHM
	ZD501	093T 39S 34 T	UDZSNP5.6B ROHM
	ZD502	093T 39S 34 T	UDZSNP5.6B ROHM
	ZD503	093T 39S 34 T	UDZSNP5.6B ROHM
	ZD504	093T 39S 34 T	UDZSNP5.6B ROHM
	ZD505	093T 39S 34 T	UDZSNP5.6B ROHM

	ZD506	093T 64 37 N	V-PORT-0603-100K V05
	ZD507	093T 64 37 N	V-PORT-0603-100K V05
	ZD508	093T 39S 34 T	UDZSNP5.6B ROHM
	ZD509	093T 39S 34 T	UDZSNP5.6B ROHM
	ZD510	093T 39S 34 T	UDZSNP5.6B ROHM
	ZD511	093T 39S 34 T	UDZSNP5.6B ROHM
	ZD512	093T 39S 34 T	UDZSNP5.6B ROHM
	ZD513	093T 64 37 N	V-PORT-0603-100K V05
	ZD514	093T 64 37 N	V-PORT-0603-100K V05
	ZD515	093T 39S 34 T	UDZSNP5.6B ROHM
	ZD516	093T 39S 34 T	UDZSNP5.6B ROHM
	ZD601	093T 64 37 N	V-PORT-0603-100K V05
	ZD602	093T 64 37 N	V-PORT-0603-100K V05
RESISTOR			
	R101	061T0603270	RST CHIPR 27 OHM +-5% 1/10W
	R102	061T0603101	RST CHIPR 100 OHM +-5% 1/10W
	R103	061T0603103	RST CHIPR 10KOHM +-5% 1/10W
	R104	061T0603000	RST CHIPR 0 OHM +-5% 1/10W
	R105	061T0603101	RST CHIPR 100 OHM +-5% 1/10W
	R106	061T0603470	RST CHIPR 47 OHM +-5% 1/10W
	R107	061T0603270	RST CHIPR 27 OHM +-5% 1/10W
	R108	061T0603101	RST CHIPR 100 OHM +-5% 1/10W
	R109	061T0603470	RST CHIPR 47 OHM +-5% 1/10W
	R110	061T0603102	RST CHIPR 1KOHM +-5% 1/10W
	R111	061T0603302	CHIP 3K OHM 5% 1/16
	R112	061T0603203	CHIPR 20K OHM+-5% 1/10W
	R113	061T0603102	RST CHIPR 1KOHM +-5% 1/10W
	R114	061T0603302	CHIP 3K OHM 5% 1/16
	R115	061T0603203	CHIPR 20K OHM+-5% 1/10W
	R116	061T0603104	RST CHIPR 100KOHM +-5% 1/10W
	R117	061T0603104	RST CHIPR 100KOHM +-5% 1/10W
	R118	061T0603303	RST CHIPR 30 KOHM +-5% 1/10W
	R119	061T0603303	RST CHIPR 30 KOHM +-5% 1/10W
	R120	061T0603270	RST CHIPR 27 OHM +-5% 1/10W
	R121	061T0603101	RST CHIPR 100 OHM +-5% 1/10W
	R122	061T0603470	RST CHIPR 47 OHM +-5% 1/10W
	R123	061T0603000	RST CHIPR 0 OHM +-5% 1/10W
	R124	061T0603270	RST CHIPR 27 OHM +-5% 1/10W
	R125	061T0603101	RST CHIPR 100 OHM +-5% 1/10W
	R126	061T0603470	RST CHIPR 47 OHM +-5% 1/10W
	R127	061T0603000	RST CHIPR 0 OHM +-5% 1/10W
	R128	061T0603680	RST CHIPR 68 OHM +-5% 1/10W
	R129	061T0805750	RST CHIPR 75 OHM +-5% 1/8W
	R130	061T0603000	RST CHIPR 0 OHM +-5% 1/10W
	R131	061T0603101	RST CHIPR 100 OHM +-5% 1/10W
	R132	061T0603680	RST CHIPR 68 OHM +-5% 1/10W

	R133	061T0805750	RST CHIPR 75 OHM +-5% 1/8W
	R134	061T0603000	RST CHIPR 0 OHM +-5% 1/10W
	R135	061T0603101	RST CHIPR 100 OHM +-5% 1/10W
	R136	061T0805750	RST CHIPR 75 OHM +-5% 1/8W
	R137	061T0603000	RST CHIPR 0 OHM +-5% 1/10W
	R138	061T0603680	RST CHIPR 68 OHM +-5% 1/10W
	R139	061T0603750	RST CHIPR 75 OHM +-5% 1/10W
	R140	061T0603333	RST CHIPR 33 KOHM +-5% 1/10W
	R141	061T0603102	RST CHIPR 1KOHM +-5% 1/10W
	R142	061T0603302	CHIP 3K OHM 5% 1/16
	R143	061T0603203	CHIPR 20K OHM+-5% 1/10W
	R144	061T0603103	RST CHIPR 10KOHM +-5% 1/10W
	R145	061T0603102	RST CHIPR 1KOHM +-5% 1/10W
	R146	061T0603302	CHIP 3K OHM 5% 1/16
	R147	061T0603203	CHIPR 20K OHM+-5% 1/10W
	R148	061T0603104	RST CHIPR 100KOHM +-5% 1/10W
	R149	061T0603104	RST CHIPR 100KOHM +-5% 1/10W
	R150	061T0603303	RST CHIPR 30 KOHM +-5% 1/10W
	R151	061T0603303	RST CHIPR 30 KOHM +-5% 1/10W
	R152	061T0603102	RST CHIPR 1KOHM +-5% 1/10W
	R153	061T0603270	RST CHIPR 27 OHM +-5% 1/10W
	R154	061T0603101	RST CHIPR 100 OHM +-5% 1/10W
	R155	061T0603102	RST CHIPR 1KOHM +-5% 1/10W
	R156	061T0603470	RST CHIPR 47 OHM +-5% 1/10W
	R157	061T0603104	RST CHIPR 100KOHM +-5% 1/10W
	R158	061T0603104	RST CHIPR 100KOHM +-5% 1/10W
	R159	061T0603000	RST CHIPR 0 OHM +-5% 1/10W
	R160	061T0603680	RST CHIPR 68 OHM +-5% 1/10W
	R161	061T0603750	RST CHIPR 75 OHM +-5% 1/10W
	R164	061T0603000	RST CHIPR 0 OHM +-5% 1/10W
	R165	061T0603103	RST CHIPR 10KOHM +-5% 1/10W
	R166	061T0603333	RST CHIPR 33 KOHM +-5% 1/10W
	R167	061T0603103	RST CHIPR 10KOHM +-5% 1/10W
	R168	061T1206680	RST CHIPR 68 OHM +-5% 1/4W
	R169	061T0603333	RST CHIPR 33 KOHM +-5% 1/10W
	R170	061T1206750 9F	RST CHIPR 75 OHM +-1% 1/4W
	R171	061T0603000	RST CHIPR 0 OHM +-5% 1/10W
	R172	061T0603104	RST CHIPR 100KOHM +-5% 1/10W
	R173	061T0603103	RST CHIPR 10KOHM +-5% 1/10W
	R174	061T0603513	RST CHIPR 51 KOHM +-5% 1/10W
	R175	061T0603105	RST CHIPR 1MOHM +-5% 1/10W
	R176	061T0603103	RST CHIPR 10KOHM +-5% 1/10W
	R178	061T0603103	RST CHIPR 10KOHM +-5% 1/10W
	R181	061T0603103	RST CHIPR 10KOHM +-5% 1/10W
	R182	061T0603104	RST CHIPR 100KOHM +-5% 1/10W
	R183	061T0603473	CHIP 47KOHM 1/16W

	R184	061T0603103	RST CHIPR 10KOHM +-5% 1/10W
	R185	061T0603103	RST CHIPR 10KOHM +-5% 1/10W
	R186	061T0603103	RST CHIPR 10KOHM +-5% 1/10W
	R187	061T0603103	RST CHIPR 10KOHM +-5% 1/10W
	R188	061T0603103	RST CHIPR 10KOHM +-5% 1/10W
	R189	061T0603103	RST CHIPR 10KOHM +-5% 1/10W
	R190	061T0603103	RST CHIPR 10KOHM +-5% 1/10W
	R191	061T0603472	CHIP 4.7KOHM 1/16W
	R192	061T0603472	CHIP 4.7KOHM 1/16W
	R193	061T0603105	RST CHIPR 1MOHM +-5% 1/10W
	R194	061T0603103	RST CHIPR 10KOHM +-5% 1/10W
	R195	061T0603330	CHIP 33OHM 1/16W
	R196	061T0603330	CHIP 33OHM 1/16W
	R197	061T0603330	CHIP 33OHM 1/16W
	R198	061T0603330	CHIP 33OHM 1/16W
	R199	061T0603000	RST CHIPR 0 OHM +-5% 1/10W
	R200	061T0603472	CHIP 4.7KOHM 1/16W
	R201	061T0603101	RST CHIPR 100 OHM +-5% 1/10W
	R204	061T0603101	RST CHIPR 100 OHM +-5% 1/10W
	R205	061T0603472	CHIP 4.7KOHM 1/16W
	R206	061T0603472	CHIP 4.7KOHM 1/16W
	R209	061T0603103	RST CHIPR 10KOHM +-5% 1/10W
	R210	061T0603000	RST CHIPR 0 OHM +-5% 1/10W
	R211	061T0603100	CHIP 10OHM 1/16W
	R213	061T1206560 F	RST CHIPR 56 OHM +-5% 1/4W FENGHUA
	R214	061T0603333	RST CHIPR 33 KOHM +-5% 1/10W
	R215	061T1206750	RST CHIPR 75 OHM +-5% 1/4W
	R216	061T0603000	RST CHIPR 0 OHM +-5% 1/10W
	R218	061T0603100	CHIP 10OHM 1/16W
	R219	061T0603560 9F	RST CHIPR 56 OHM +-1% 1/10W
	R220	061T1206750	RST CHIPR 75 OHM +-5% 1/4W
	R221	061T0603750	RST CHIPR 75 OHM +-5% 1/10W
	R222	061T0603000	RST CHIPR 0 OHM +-5% 1/10W
	R223	061T0603000	RST CHIPR 0 OHM +-5% 1/10W
	R224	061T0603000	RST CHIPR 0 OHM +-5% 1/10W
	R225	061T0603102	RST CHIPR 1KOHM +-5% 1/10W
	R226	061T0603105	RST CHIPR 1MOHM +-5% 1/10W
	R228	061T0603101	RST CHIPR 100 OHM +-5% 1/10W
	R229	061T0603103	RST CHIPR 10KOHM +-5% 1/10W
	R230	061T0402101	RST CHIPR 100 OHM +-5% 1/16W
	R231	061T0402101	RST CHIPR 100 OHM +-5% 1/16W
	R232	061T0402101	RST CHIPR 100 OHM +-5% 1/16W
	R233	061T0603000	RST CHIPR 0 OHM +-5% 1/10W
	R234	061T0402101	RST CHIPR 100 OHM +-5% 1/16W
	R235	061T0603000	RST CHIPR 0 OHM +-5% 1/10W
	R236	061T0402101	RST CHIPR 100 OHM +-5% 1/16W

	R237	061T0402101	RST CHIPR 100 OHM +-5% 1/16W
	R238	061T0402101	RST CHIPR 100 OHM +-5% 1/16W
	R239	061T0402101	RST CHIPR 100 OHM +-5% 1/16W
	R240	061T0402101	RST CHIPR 100 OHM +-5% 1/16W
	R241	061T0402101	RST CHIPR 100 OHM +-5% 1/16W
	R242	061T0402101	RST CHIPR 100 OHM +-5% 1/16W
	R243	061T0603101	RST CHIPR 100 OHM +-5% 1/10W
	R244	061T0603101	RST CHIPR 100 OHM +-5% 1/10W
	R245	061T0603101	RST CHIPR 100 OHM +-5% 1/10W
	R246	061T0603472	CHIP 4.7KOHM 1/16W
	R248	061T0603000	RST CHIPR 0 OHM +-5% 1/10W
	R250	061T0603101	RST CHIPR 100 OHM +-5% 1/10W
	R251	061T0603101	RST CHIPR 100 OHM +-5% 1/10W
	R252	061T0603101	RST CHIPR 100 OHM +-5% 1/10W
	R253	061T0603101	RST CHIPR 100 OHM +-5% 1/10W
	R254	061T0603101	RST CHIPR 100 OHM +-5% 1/10W
	R255	061T0603000	RST CHIPR 0 OHM +-5% 1/10W
	R256	061T0603331	RST CHIPR 330 OHM +-5% 1/10W
	R257	061T0805000	RST CHIPR 0 OHM +-5% 1/8W
	R262	061T0603000	RST CHIPR 0 OHM +-5% 1/10W
	R263	061T0603472	CHIP 4.7KOHM 1/16W
	R264	061T0603102	RST CHIPR 1KOHM +-5% 1/10W
	R401	061T0603472	CHIP 4.7KOHM 1/16W
	R420	061T0603000	RST CHIPR 0 OHM +-5% 1/10W
	R421	061T0603472	CHIP 4.7KOHM 1/16W
	R422	061T0603103	RST CHIPR 10KOHM +-5% 1/10W
	R423	061T0603102	RST CHIPR 1KOHM +-5% 1/10W
	R424	061T0603330	CHIP 330OHM 1/16W
	R425	061T0603103	RST CHIPR 10KOHM +-5% 1/10W
	R426	061T0603103	RST CHIPR 10KOHM +-5% 1/10W
	R427	061T0603103	RST CHIPR 10KOHM +-5% 1/10W
	R428	061T0603472	CHIP 4.7KOHM 1/16W
	R429	061T0603472	CHIP 4.7KOHM 1/16W
	R430	061T0603472	CHIP 4.7KOHM 1/16W
	R431	061T0603472	CHIP 4.7KOHM 1/16W
	R432	061T0603472	CHIP 4.7KOHM 1/16W
	R434	061T0603472	CHIP 4.7KOHM 1/16W
	R437	061T0603102	RST CHIPR 1KOHM +-5% 1/10W
	R440	061T0603000	RST CHIPR 0 OHM +-5% 1/10W
	R441	061T0603000	RST CHIPR 0 OHM +-5% 1/10W
	R442	061T0603109	RST CHIPR 1 OHM +-5% 1/10W
	R443	061T0603472	CHIP 4.7KOHM 1/16W
	R447	061T0603103	RST CHIPR 10KOHM +-5% 1/10W
	R449	061T0603330	CHIP 330OHM 1/16W
	R450	061T0603103	RST CHIPR 10KOHM +-5% 1/10W
	R451	061T0603392	CHIP 3.9KOHM 1/16W

	R452	061T0603103	RST CHIPR 10KOHM +-5% 1/10W
	R453	061T0603472	CHIP 4.7KOHM 1/16W
	R454	061T0603472	CHIP 4.7KOHM 1/16W
	R455	061T0603392	CHIP 3.9KOHM 1/16W
	R456	061T0603000	RST CHIPR 0 OHM +-5% 1/10W
	R457	061T0603000	RST CHIPR 0 OHM +-5% 1/10W
	R461	061T0603473	CHIP 47KOHM 1/16W
	R462	061T0603102	RST CHIPR 1KOHM +-5% 1/10W
	R464	061T0603473	CHIP 47KOHM 1/16W
	R465	061T0603330	CHIP 33OHM 1/16W
	R466	061T0603330	CHIP 33OHM 1/16W
	R467	061T0603330	CHIP 33OHM 1/16W
	R468	061T0603330	CHIP 33OHM 1/16W
	R470	061T0603203	CHIPR 20K OHM+-5% 1/10W
	R471	061T0603203	CHIPR 20K OHM+-5% 1/10W
	R472	061T0603820 0F	RST CHIPR 820 OHM +-1% 1/10W
	R473	061T0603180 1F	RST CHIPR 1.8 KOHM +-1% 1/10W
	R476	061T0603103	RST CHIPR 10KOHM +-5% 1/10W
	R477	061T0603103	RST CHIPR 10KOHM +-5% 1/10W
	R478	061T0603121	RST CHIPR 120 OHM +-5% 1/10W
	R501	061T0603512	RST CHIPR 5.1 KOHM +-5% 1/10W
	R502	061T0603472	CHIP 4.7KOHM 1/16W
	R503	061T0603000	RST CHIPR 0 OHM +-5% 1/10W
	R504	061T0603222	CHIP 2.2K OHM 1/16W
	R505	061T0603222	CHIP 2.2K OHM 1/16W
	R507	061T0603472	CHIP 4.7KOHM 1/16W
	R508	061T0603472	CHIP 4.7KOHM 1/16W
	R509	061T0603222	CHIP 2.2K OHM 1/16W
	R510	061T0603362	RST CHIPR 3.6 KOHM +-5% 1/10W
	R511	061T0603121	RST CHIPR 120 OHM +-5% 1/10W
	R512	061T0603104	RST CHIPR 100KOHM +-5% 1/10W
	R513	061T0603472	CHIP 4.7KOHM 1/16W
	R514	061T0603472	CHIP 4.7KOHM 1/16W
	R515	061T0603472	CHIP 4.7KOHM 1/16W
	R516	061T0603101	RST CHIPR 100 OHM +-5% 1/10W
	R517	061T0603101	RST CHIPR 100 OHM +-5% 1/10W
	R518	061T0603103	RST CHIPR 10KOHM +-5% 1/10W
	R519	061T0603472	CHIP 4.7KOHM 1/16W
	R520	061T0603472	CHIP 4.7KOHM 1/16W
	R521	061T0603472	CHIP 4.7KOHM 1/16W
	R522	061T0603104	RST CHIPR 100KOHM +-5% 1/10W
	R523	061T0603101	RST CHIPR 100 OHM +-5% 1/10W
	R524	061T0603101	RST CHIPR 100 OHM +-5% 1/10W
	R525	061T0603103	RST CHIPR 10KOHM +-5% 1/10W
	R528	061T0603000	RST CHIPR 0 OHM +-5% 1/10W
	R529	061T0603000	RST CHIPR 0 OHM +-5% 1/10W

	R532	061T0603000	RST CHIPR 0 OHM +-5% 1/10W
	R533	061T0603000	RST CHIPR 0 OHM +-5% 1/10W
	R534	061T0603104	RST CHIPR 100KOHM +-5% 1/10W
	R535	061T0603102	RST CHIPR 1KOHM +-5% 1/10W
	R536	061T0603104	RST CHIPR 100KOHM +-5% 1/10W
	R537	061T08057509FY	RST CHIPR 75 OHM +-1% 1/8W YAGEO
	R538	061T0603000	RST CHIPR 0 OHM +-5% 1/10W
	R539	061T0603680	RST CHIPR 68 OHM +-5% 1/10W
	R540	061T0603101	RST CHIPR 100 OHM +-5% 1/10W
	R541	061T0603680	RST CHIPR 68 OHM +-5% 1/10W
	R542	061T08057509FY	RST CHIPR 75 OHM +-1% 1/8W YAGEO
	R543	061T0603101	RST CHIPR 100 OHM +-5% 1/10W
	R544	061T0603680	RST CHIPR 68 OHM +-5% 1/10W
	R545	061T08057509FY	RST CHIPR 75 OHM +-1% 1/8W YAGEO
	R546	061T0603102	RST CHIPR 1KOHM +-5% 1/10W
	R547	061T0603102	RST CHIPR 1KOHM +-5% 1/10W
	R548	061T0603104	RST CHIPR 100KOHM +-5% 1/10W
	R549	061T0603104	RST CHIPR 100KOHM +-5% 1/10W
	R550	061T0603000	RST CHIPR 0 OHM +-5% 1/10W
	R551	061T0603000	RST CHIPR 0 OHM +-5% 1/10W
	R552	061T0603000	RST CHIPR 0 OHM +-5% 1/10W
	R553	061T06033909FY	RST CHIPR 39 OHM +-1% 1/10W YAGEO
	R554	061T08057509FY	RST CHIPR 75 OHM +-1% 1/8W YAGEO
	R555	061T0603000	RST CHIPR 0 OHM +-5% 1/10W
	R556	061T0603101	RST CHIPR 100 OHM +-5% 1/10W
	R557	061T06033909FY	RST CHIPR 39 OHM +-1% 1/10W YAGEO
	R558	061T08057509FY	RST CHIPR 75 OHM +-1% 1/8W YAGEO
	R559	061T0603000	RST CHIPR 0 OHM +-5% 1/10W
	R560	061T0603101	RST CHIPR 100 OHM +-5% 1/10W
	R561	061T0603222	CHIP 2.2K OHM 1/16W
	R562	061T06033909FY	RST CHIPR 39 OHM +-1% 1/10W YAGEO
	R563	061T08057509FY	RST CHIPR 75 OHM +-1% 1/8W YAGEO
	R564	061T0603000	RST CHIPR 0 OHM +-5% 1/10W
	R565	061T0603101	RST CHIPR 100 OHM +-5% 1/10W
	R566	061T0603222	CHIP 2.2K OHM 1/16W
	R567	061T0603822	RST CHIPR 8.2 KOHM +-5% 1/10W
	R568	061T0603302	CHIP 3K OHM 5% 1/16
	R569	061T0603203	CHIPR 20K OHM+-5% 1/10W
	R570	061T0603822	RST CHIPR 8.2 KOHM +-5% 1/10W
	R571	061T0603302	CHIP 3K OHM 5% 1/16
	R572	061T0603203	CHIPR 20K OHM+-5% 1/10W
	R573	061T0603101	RST CHIPR 100 OHM +-5% 1/10W
	R574	061T0603101	RST CHIPR 100 OHM +-5% 1/10W
	R575	061T0603104	RST CHIPR 100KOHM +-5% 1/10W
	R576	061T0603104	RST CHIPR 100KOHM +-5% 1/10W
	R577	061T0603300 2F	RST CHIPR 30 KOHM +-1% 1/10W

	R578	061T0603300 2F	RST CHIPR 30 KOHM +-1% 1/10W
	R581	061T0603000	RST CHIPR 0 OHM +-5% 1/10W
	R582	061T0603103	RST CHIPR 10KOHM +-5% 1/10W
	R583	061T0603000	RST CHIPR 0 OHM +-5% 1/10W
	R584	061T0603000	RST CHIPR 0 OHM +-5% 1/10W
	R601	061T0603000	RST CHIPR 0 OHM +-5% 1/10W
	R602	061T0603472	CHIP 4.7KOHM 1/16W
	R603	061T0603822	RST CHIPR 8.2 KOHM +-5% 1/10W
	R604	061T0603472	CHIP 4.7KOHM 1/16W
	R605	061T0603000	RST CHIPR 0 OHM +-5% 1/10W
	R606	061T1206100	RST CHIPR 10 OHM +-5% 1/4W
	R607	061T0603102	RST CHIPR 1KOHM +-5% 1/10W
	R608	061T0603473	CHIP 47KOHM 1/16W
	R609	061T0603123	RST CHIPR 12 KOHM +-5% 1/10W
	R610	061T0603473	CHIP 47KOHM 1/16W
	R613	061T0603393	RST CHIPR 39 KOHM +-5% 1/10W
	R614	061T1206100	RST CHIPR 10 OHM +-5% 1/4W
	R615	061T0603472	CHIP 4.7KOHM 1/16W
	R616	061T0603822	RST CHIPR 8.2 KOHM +-5% 1/10W
	R617	061T0603472	CHIP 4.7KOHM 1/16W
	R618	061T0603122	RST CHIPR 1.2 KOHM +-5% 1/10W
	R620	061T0603103	RST CHIPR 10KOHM +-5% 1/10W
	R621	061T0603333	RST CHIPR 33 KOHM +-5% 1/10W
	R622	061T0603302	CHIP 3K OHM 5% 1/16
	R624	061T0603000	RST CHIPR 0 OHM +-5% 1/10W
	R625	061T0603102	RST CHIPR 1KOHM +-5% 1/10W
	R626	061T12061009FY	RST CHIPR 10 OHM +-1% 1/4W YAGEO
	R627	061T0603103	RST CHIPR 10KOHM +-5% 1/10W
	R628	061T0603104	RST CHIPR 100KOHM +-5% 1/10W
	R629	061T0603100	CHIP 10OHM 1/16W
	R630	061T0603103	RST CHIPR 10KOHM +-5% 1/10W
	R631	061T0603333	RST CHIPR 33 KOHM +-5% 1/10W
	R632	061T0603000	RST CHIPR 0 OHM +-5% 1/10W
	R633	061T0603103	RST CHIPR 10KOHM +-5% 1/10W
	R634	061T0603153	RST CHIPR 15 KOHM +-5% 1/10W
	R635	061T0603000	RST CHIPR 0 OHM +-5% 1/10W
	R636	061T0603200	RST CHIPR 20 OHM +-5% 1/10W
	R638	061T0603101	RST CHIPR 100 OHM +-5% 1/10W
	R639	061T0603102	RST CHIPR 1KOHM +-5% 1/10W
	R640	061T0603473	CHIP 47KOHM 1/16W
	R641	061T0603473	CHIP 47KOHM 1/16W
	R642	061T0603102	RST CHIPR 1KOHM +-5% 1/10W
	R644	061T0603153	RST CHIPR 15 KOHM +-5% 1/10W
	R645	061T0603000	RST CHIPR 0 OHM +-5% 1/10W
	R646	061T0603200	RST CHIPR 20 OHM +-5% 1/10W
	R648	061T0603101	RST CHIPR 100 OHM +-5% 1/10W

	R649	061T0603333	RST CHIPR 33 KOHM +-5% 1/10W
	R652	061T0603474	RST CHIPR 470 KOHM +-5% 1/10W
	R654	061T0603474	RST CHIPR 470 KOHM +-5% 1/10W
	R656	061T0603333	RST CHIPR 33 KOHM +-5% 1/10W
	R657	061T0603471	RST CHIPR 470OHM +-5% 1/10W
	R658	061T0603103	RST CHIPR 10KOHM +-5% 1/10W
	R659	061T0603512	RST CHIPR 5.1 KOHM +-5% 1/10W
	R660	061T0603100	CHIP 10OHM 1/16W
	R661	061T0603103	RST CHIPR 10KOHM +-5% 1/10W
	R662	061T0603104	RST CHIPR 100KOHM +-5% 1/10W
	R663	061T0603102	RST CHIPR 1KOHM +-5% 1/10W
	R664	061T0603473	CHIP 47KOHM 1/16W
	R665	061T0603471	RST CHIPR 470OHM +-5% 1/10W
	R666	061T0603103	RST CHIPR 10KOHM +-5% 1/10W
	R667	061T0603512	RST CHIPR 5.1 KOHM +-5% 1/10W
	R668	061T0603100	CHIP 10OHM 1/16W
	R669	061T0603103	RST CHIPR 10KOHM +-5% 1/10W
	R670	061T0603104	RST CHIPR 100KOHM +-5% 1/10W
	R671	061T0603102	RST CHIPR 1KOHM +-5% 1/10W
	R672	061T0603333	RST CHIPR 33 KOHM +-5% 1/10W
	R673	061T0603473	CHIP 47KOHM 1/16W
	R674	061T0603103	RST CHIPR 10KOHM +-5% 1/10W
	R675	061T0603103	RST CHIPR 10KOHM +-5% 1/10W
	R676	061T0603473	CHIP 47KOHM 1/16W
	R677	061T0603102	RST CHIPR 1KOHM +-5% 1/10W
	R678	061T0603000	RST CHIPR 0 OHM +-5% 1/10W
	R679	061T0603000	RST CHIPR 0 OHM +-5% 1/10W
	R680	061T0603000	RST CHIPR 0 OHM +-5% 1/10W
	R681	061T0603473	CHIP 47KOHM 1/16W
	R682	061T0603470	RST CHIPR 47 OHM +-5% 1/10W
	R683	061T0603222	CHIP 2.2K OHM 1/16W
	R684	061T0603222	CHIP 2.2K OHM 1/16W
	R685	061T0603103	RST CHIPR 10KOHM +-5% 1/10W
	R686	061T0603102	RST CHIPR 1KOHM +-5% 1/10W
	R687	061T0603473	CHIP 47KOHM 1/16W
	R688	061T0603000	RST CHIPR 0 OHM +-5% 1/10W
	R689	061T0603303	RST CHIPR 30 KOHM +-5% 1/10W
	R690	061T0603303	RST CHIPR 30 KOHM +-5% 1/10W
	R691	061T0603104	RST CHIPR 100KOHM +-5% 1/10W
	R692	061T0603104	RST CHIPR 100KOHM +-5% 1/10W
	R693	061T0603104	RST CHIPR 100KOHM +-5% 1/10W
	R694	061T0603104	RST CHIPR 100KOHM +-5% 1/10W
	R695	061T0603470	RST CHIPR 47 OHM +-5% 1/10W
	R696	061T0603104	RST CHIPR 100KOHM +-5% 1/10W
	R697	061T0603104	RST CHIPR 100KOHM +-5% 1/10W
	R698	061T0603103	RST CHIPR 10KOHM +-5% 1/10W

	R699	061T0603102	RST CHIPR 1KOHM +-5% 1/10W
	R700	061T0603473	CHIP 47KOHM 1/16W
	R701	061T0603104	RST CHIPR 100KOHM +-5% 1/10W
	R702	061T0603104	RST CHIPR 100KOHM +-5% 1/10W
	R704	061T0402470	RST CHIPR 47 OHM +-5% 1/16W
	R705	061T0603750	RST CHIPR 75 OHM +-5% 1/10W
	R706	061T0402470	RST CHIPR 47 OHM +-5% 1/16W
	R707	061T0603750	RST CHIPR 75 OHM +-5% 1/10W
	R708	061T0402470	RST CHIPR 47 OHM +-5% 1/16W
	R709	061T0603750	RST CHIPR 75 OHM +-5% 1/10W
	R710	061T0402470	RST CHIPR 47 OHM +-5% 1/16W
	R711	061T0603750	RST CHIPR 75 OHM +-5% 1/10W
	R712	061T0603220	CHIP 22OHM 1/10W
	R713	061T0603101	RST CHIPR 100 OHM +-5% 1/10W
	R714	061T0603220	CHIP 22OHM 1/10W
	R715	061T0603472	CHIP 4.7KOHM 1/16W
	R716	061T0603111	RST CHIPR 110 OHM +-5% 1/10W
	R717	061T0603121	RST CHIPR 120 OHM +-5% 1/10W
	R718	061T0603220	CHIP 22OHM 1/10W
	R720	061T0603473	CHIP 47KOHM 1/16W
	R721	061T0603473	CHIP 47KOHM 1/16W
	R725	061T0603000	RST CHIPR 0 OHM +-5% 1/10W
	R726	061T0603473	CHIP 47KOHM 1/16W
	R727	061T0603472	CHIP 4.7KOHM 1/16W
	R729	061T0603103	RST CHIPR 10KOHM +-5% 1/10W
	R730	061T0603103	RST CHIPR 10KOHM +-5% 1/10W
	R731	061T0603103	RST CHIPR 10KOHM +-5% 1/10W
	R732	061T0603103	RST CHIPR 10KOHM +-5% 1/10W
	R733	061T0603512	RST CHIPR 5.1 KOHM +-5% 1/10W
	R734	061T0603333	RST CHIPR 33 KOHM +-5% 1/10W
	R735	061T0603512	RST CHIPR 5.1 KOHM +-5% 1/10W
	R736	061T0603333	RST CHIPR 33 KOHM +-5% 1/10W
	R737	061T0603471	RST CHIPR 470OHM +-5% 1/10W
	R738	061T0603471	RST CHIPR 470OHM +-5% 1/10W
	R739	061T0603000	RST CHIPR 0 OHM +-5% 1/10W
	R7901	061T0603000	RST CHIPR 0 OHM +-5% 1/10W
	R7902	061T0603102	RST CHIPR 1KOHM +-5% 1/10W
	R7903	061T0603472	CHIP 4.7KOHM 1/16W
	R7904	061T0603473	CHIP 47KOHM 1/16W
	R7905	061T0603103	RST CHIPR 10KOHM +-5% 1/10W
	R7906	061T0603103	RST CHIPR 10KOHM +-5% 1/10W
	R7907	061T0603472	CHIP 4.7KOHM 1/16W
	R7908	061T0603752	RST CHIPR 7.5 KOHM +-5% 1/10W
	R7909	061T0603103	RST CHIPR 10KOHM +-5% 1/10W
	R7910	061T0603103	RST CHIPR 10KOHM +-5% 1/10W
	R7911	061T0603103	RST CHIPR 10KOHM +-5% 1/10W

	R7912	061T0603103	RST CHIPR 10KOHM +-5% 1/10W
	R7914	061T0603472	CHIP 4.7KOHM 1/16W
	R7915	061T0603473	CHIP 47KOHM 1/16W
	R7916	061T0603103	RST CHIPR 10KOHM +-5% 1/10W
	R7917	061T0603562	RST CHIPR 5.6 KOHM +-5% 1/10W
	R7918	061T0603103	RST CHIPR 10KOHM +-5% 1/10W
	R7919	061T0603101	RST CHIPR 100 OHM +-5% 1/10W
	R7920	061T0603153	RST CHIPR 15 KOHM +-5% 1/10W
	R7921	061T0603103	RST CHIPR 10KOHM +-5% 1/10W
	R7922	061T0603103	RST CHIPR 10KOHM +-5% 1/10W
	R7923	061T0603000	RST CHIPR 0 OHM +-5% 1/10W
	R7924	061T0603103	RST CHIPR 10KOHM +-5% 1/10W
	R7925	061T0603202	RST CHIPR 2 KOHM +-5% 1/10W
	R7926	061T0603102 1F	RST CHIPR 1.02KOHM +-1% 1/10W
	R7927	061T0603104	RST CHIPR 100KOHM +-5% 1/10W
	R7928	061T0603302	CHIP 3K OHM 5% 1/16
	R7929	061T0603271	RST CHIPR 270 OHM +-5% 1/10W
	R7930	061T0603000	RST CHIPR 0 OHM +-5% 1/10W
	R7931	061T0603130 1F	RST CHIPR 1.3 KOHM +-1% 1/10W
	R7932	061T0603103	RST CHIPR 10KOHM +-5% 1/10W
	R7933	061T0603203	CHIPR 20K OHM+-5% 1/10W
	R7934	061T0603202	RST CHIPR 2 KOHM +-5% 1/10W
	R7935	061T0805000	RST CHIPR 0 OHM +-5% 1/8W
	R7936	061T 208201 64	RST MOFR 200 OHM +-5% 1W
	R7937	061T0805000	RST CHIPR 0 OHM +-5% 1/8W
	R795	061T0603104	RST CHIPR 100KOHM +-5% 1/10W
	R796	061T0603562	RST CHIPR 5.6 KOHM +-5% 1/10W
	RN401	061T 125103 8	RST CHIP AR 8P4R 10KOHM +-5% 1/16W
	RN501	061T 125472 8	RST CHIP AR 8P4R 4.7KOHM +-5% 1/16W
	RN701	061T 126470 8	RST CHIPR AR 8P4R 47 OHM +-5% 1/16W
	RN702	061T 125750 8Y	RST CHIP AR 8P4R 75 OHM +-5% 1/16W
	RN703	061T 125750 8Y	RST CHIP AR 8P4R 75 OHM +-5% 1/16W
	RN704	061T 125750 8Y	RST CHIP AR 8P4R 75 OHM +-5% 1/16W
	RN705	061T 125750 8Y	RST CHIP AR 8P4R 75 OHM +-5% 1/16W
	RN706	061T 125750 8Y	RST CHIP AR 8P4R 75 OHM +-5% 1/16W
	RN707	061T 126470 8	RST CHIPR AR 8P4R 47 OHM +-5% 1/16W
	RN708	061T 126470 8	RST CHIPR AR 8P4R 47 OHM +-5% 1/16W
	RN709	061T 125750 8Y	RST CHIP AR 8P4R 75 OHM +-5% 1/16W
	RN710	061T 126470 8	RST CHIPR AR 8P4R 47 OHM +-5% 1/16W
	RN711	061T 125750 8Y	RST CHIP AR 8P4R 75 OHM +-5% 1/16W
	RN712	061T 126470 8	RST CHIPR AR 8P4R 47 OHM +-5% 1/16W
	RN713	061T 126470 8	RST CHIPR AR 8P4R 47 OHM +-5% 1/16W
	RN714	061T 126470 8	RST CHIPR AR 8P4R 47 OHM +-5% 1/16W
	RN715	061T 125750 8Y	RST CHIP AR 8P4R 75 OHM +-5% 1/16W
	RN716	061T 126470 8	RST CHIPR AR 8P4R 47 OHM +-5% 1/16W
	RN717	061T 126470 8	RST CHIPR AR 8P4R 47 OHM +-5% 1/16W

		RN718	061T 125750 8Y	RST CHIP AR 8P4R 75 OHM +-5% 1/16W
IC				
		TU201	094T DVB T 5P	TUNER DVB-T FQD1116ME/IH-5
		U101	057T 763 79	FET AO4449 -7A/-30V SOIC-8
		U103	056T1126 40	IC MT8295AE LQFP-128
		U104	056T 563113	IC G1117-18T63UF 1A/1.8V SOT-223
		U201	056T 647 25	IC MT5133AN QFN-48
		U401	056T1133 56	M24C16-WMN6TP
		U403	056T1126 55	IC MT5380GKU LQFP-256
		U404	056T1133935(DLGBK4M26NQ1)	IC MX25L3205DMI-12G SOP-16
		U405	056T 645 1	HIN232CB-T S016 INTERSIL
		U406	056T 643 35	IC MAX809STRG 2.93V SOT23-3
		U501	056T 662 10	IC RCLAMP0524P.TCT
		U502	056T 634902	IC TMDS251PAGR TQFP-64
		U503	056T1133913	IC M24C02-WDW6P TSSOP8
		U504	056T 662 10	IC RCLAMP0524P.TCT
		U505	056T1133913	IC M24C02-WDW6P TSSOP8
		U506	056T 662 10	IC RCLAMP0524P.TCT
		U507	056T 662 10	IC RCLAMP0524P.TCT
		U508	056T 623904	IC TS5A3157DCKR SC70
		U510	056T1133913	IC M24C02-WDW6P TSSOP8
		U601	056T 647 18	IC WM8521HCGED/RV SOIC-14
		U602	056T 616913	IC TDA8932BTW HTSSOP32
		U603	056T 616 3	PT2308S SO-8 PTC
		U604	056T 616914	IC RC4580IPWR TSSOP8
		U605	056T 614 1	IC 74HC4052D PHILIPS
		U606	056T566N600	NDC7002N SOT-6 FAIRCHILD
		U607	056T 616914	IC RC4580IPWR TSSOP8
		U701	056T 615 71	IC HY5DU121622DTP-D43 512MB TSOP11-66
		U704	056T 563 93	IC G9084T43U TO-252
		U705	056T 379 82	IC G2996F1UF SOP-8
		U7901	056T 563129	IC AME8810-AEGTZ 0.6A/3.3V SOT-223
		U7902	056T 563109	IC SC4519S.TRT SO-8 EDP
		U7903	056T 563126	IC G1117T63UF SOT-223
		U7904	056T 379 86	IC AP1513SA SOP-8L
		U7905	056T 563 75	G1084-33T43UF TO-252
		U7906	056T 563126	IC G1117T63UF SOT-223
		U7907	056T 563 44	AME8815BEGT 250Z SOP-223
		U7908	056T 563 57	AP1510SA
		U7909	056T 585 11	AZ1117D-5.0-E1
		U7910	056T 133 23 R	BA17809FP-E2
TRANSISTOR				
		Q101	057T 419911 T	TRA 2A/12V 2SD2653K SOT-346
		Q102	057T 759 2A	2N7002 BY PANJIT
		Q103	057T 763 50	FET ME2301 -2.8A/-20V SOT-23
		Q104	057T 417511	TRA MMBT3904 BLUE ROKET

		Q201	057T 419911 T	TRA 2A/12V 2SD2653K SOT-346
		Q202	057T 419911 T	TRA 2A/12V 2SD2653K SOT-346
		Q405	057T 417511	TRA MMBT3904 BLUE ROKET
		Q406	057T 417512	TRA MMBT3906 BLUE ROKET
		Q407	057T 417511	TRA MMBT3904 BLUE ROKET
		Q408	057T 417512	TRA MMBT3906 BLUE ROKET
		Q502	057T 417511	TRA MMBT3904 BLUE ROKET
		Q503	057T 417511	TRA MMBT3904 BLUE ROKET
		Q505	057T 417511	TRA MMBT3904 BLUE ROKET
		Q601	057T 419 8 T	TRA 2SD1757K 0.5A/15V SC-59
		Q602	057T 417511	TRA MMBT3904 BLUE ROKET
		Q603	057T 417511	TRA MMBT3904 BLUE ROKET
		Q604	057T 417511	TRA MMBT3904 BLUE ROKET
		Q605	057T 417511	TRA MMBT3904 BLUE ROKET
		Q606	057T 417512	TRA MMBT3906 BLUE ROKET
		Q607	057T 419 8 T	TRA 2SD1757K 0.5A/15V SC-59
		Q608	057T 419 8 T	TRA 2SD1757K 0.5A/15V SC-59
		Q609	057T 419 8 T	TRA 2SD1757K 0.5A/15V SC-59
		Q610	057T 419 8 T	TRA 2SD1757K 0.5A/15V SC-59
		Q611	057T 417511	TRA MMBT3904 BLUE ROKET
		Q612	057T 419 8 T	TRA 2SD1757K 0.5A/15V SC-59
		Q613	057T 417511	TRA MMBT3904 BLUE ROKET
		Q7901	057T 417511	TRA MMBT3904 BLUE ROKET
		Q7902	057T 763 80	FET AP9435GM -5.3A/-30V SO-8
		Q7903	057T 417511	TRA MMBT3904 BLUE ROKET
		Q7904	057T 417511	TRA MMBT3904 BLUE ROKET
		Q7905	057T 417511	TRA MMBT3904 BLUE ROKET
		Q7906	057T 417511	TRA MMBT3904 BLUE ROKET
		Q7907	057T 763 79	FET AO4449 -7A/-30V SOIC-8
		Q7908	057T 417511	TRA MMBT3904 BLUE ROKET
COIL&FILTER				
		L101	071T 59C800	CHIP BEAD
		L102	071T 59C800	CHIP BEAD
		L103	071T 59C800	CHIP BEAD
		L104	071T 59C800	CHIP BEAD
		L106	071T 56121 B	CHIP BEAD HCB2012KF-121T30 BULLWILL
		L201	061T0805000	RST CHIPR 0 OHM +-5% 1/8W
		L205	073T 6322910K	CHIP INDUCTOR 2.2UH 10% FLM
		L206	073T 6322910K	CHIP INDUCTOR 2.2UH 10% FLM
		L207	061T0805000	RST CHIPR 0 OHM +-5% 1/8W
		L401	073T 6382810K	CHIP INDUCTOR 0.82UH 10% FLMA-160808-R82
		L501	073T253S 6 T	SMD CHOKE 90 OHM ACM2012D-900-2P-T00
		L502	071T 59B121 K	CHIP BEAD
		L503	073T253S 6 T	SMD CHOKE 90 OHM ACM2012D-900-2P-T00
		L504	073T253S 6 T	SMD CHOKE 90 OHM ACM2012D-900-2P-T00

	L505	073T253S 6 T	SMD CHOKE 90 OHM ACM2012D-900-2P-T00
	L506	073T253S 6 T	SMD CHOKE 90 OHM ACM2012D-900-2P-T00
	L507	073T253S 6 T	SMD CHOKE 90 OHM ACM2012D-900-2P-T00
	L508	073T253S 6 T	SMD CHOKE 90 OHM ACM2012D-900-2P-T00
	L509	073T253S 6 T	SMD CHOKE 90 OHM ACM2012D-900-2P-T00
	L510	071T 59C800	CHIP BEAD
	L511	071T 59C800	CHIP BEAD
	L512	071T 59C800	CHIP BEAD
	L513	071T 59C800	CHIP BEAD
	L514	071T 59C800	CHIP BEAD
	L515	071T 59C800	CHIP BEAD
	L516	071T 59C800	CHIP BEAD
	L517	071T 59C800	CHIP BEAD
	L601	073T 253158 H	CHOKE COIL 22UH+/-25%
	L602	073T 253158 H	CHOKE COIL 22UH+/-25%
	L7901	071T2012221 2M	CHIP BEAD 0805 220 OHM 2000MA
	L7902	073T M58904 T	SMD INDUCTOR 10UH 20% SLF10155T-
	L7903	073T M58908 T	SMD INDUCTOR 27UH 20% SLF10155T-
	L7904	073T M58908 T	SMD INDUCTOR 27UH 20% SLF10155T-
	FB101	071T2012221 2M	CHIP BEAD 0805 220 OHM 2000MA
	FB102	071T2012221 2M	CHIP BEAD 0805 220 OHM 2000MA
	FB103	071T2012221 2M	CHIP BEAD 0805 220 OHM 2000MA
	FB104	071T2012221 2M	CHIP BEAD 0805 220 OHM 2000MA
	FB105	071T2012221 2M	CHIP BEAD 0805 220 OHM 2000MA
	FB106	071T 57121 M	MGLB3216-120T-LF
	FB109	071T2012221 2M	CHIP BEAD 0805 220 OHM 2000MA
	FB110	071T2012221 2M	CHIP BEAD 0805 220 OHM 2000MA
	FB111	071T2012221 2M	CHIP BEAD 0805 220 OHM 2000MA
	FB112	071T 56G301 EA	CHIP BEAD 300 OHM 0805
	FB201	071T2012221 2M	CHIP BEAD 0805 220 OHM 2000MA
	FB202	071T2012221 2M	CHIP BEAD 0805 220 OHM 2000MA
	FB203	071T2012221 2M	CHIP BEAD 0805 220 OHM 2000MA
	FB204	071T2012221 2M	CHIP BEAD 0805 220 OHM 2000MA
	FB205	071T 59C300	CHIP BEAD 30 OHM 0603
	FB401	071T2012221 2M	CHIP BEAD 0805 220 OHM 2000MA
	FB403	071T2012221 2M	CHIP BEAD 0805 220 OHM 2000MA
	FB404	071T2012221 2M	CHIP BEAD 0805 220 OHM 2000MA
	FB405	071T2012221 2M	CHIP BEAD 0805 220 OHM 2000MA
	FB406	071T2012221 2M	CHIP BEAD 0805 220 OHM 2000MA
	FB407	071T2012221 2M	CHIP BEAD 0805 220 OHM 2000MA
	FB408	071T2012221 2M	CHIP BEAD 0805 220 OHM 2000MA
	FB409	071T2012221 2M	CHIP BEAD 0805 220 OHM 2000MA
	FB501	071T2012221 2M	CHIP BEAD 0805 220 OHM 2000MA
	FB502	071T3216330 6M	CHIP BEAD 1206 33OHM 6A
	FB503	071T2012221 2M	CHIP BEAD 0805 220 OHM 2000MA
	FB504	071T2012221 2M	CHIP BEAD 0805 220 OHM 2000MA

		FB505	071T2012221 2M	CHIP BEAD 0805 220 OHM 2000MA
		FB506	071T2012221 2M	CHIP BEAD 0805 220 OHM 2000MA
		FB507	071T2012221 2M	CHIP BEAD 0805 220 OHM 2000MA
		FB508	071T2012221 2M	CHIP BEAD 0805 220 OHM 2000MA
		FB509	071T2012221 2M	CHIP BEAD 0805 220 OHM 2000MA
		FB510	071T2012221 2M	CHIP BEAD 0805 220 OHM 2000MA
		FB511	071T 56G301 EA	CHIP BEAD 300 OHM 0805
		FB601	071T 56G301 EA	CHIP BEAD 300 OHM 0805
		FB602	071T2012221 2M	CHIP BEAD 0805 220 OHM 2000MA
		FB604	071T3216330 6M	CHIP BEAD 1206 33OHM 6A
		FB605	071T2012221 2M	CHIP BEAD 0805 220 OHM 2000MA
		FB606	071T 59G301	CHIP BEAD 300OHM
		FB607	071T 59G301	CHIP BEAD 300OHM
		FB608	071T 56G151 MD	0603 150 OHM
		FB609	071T 56G151 MD	0603 150 OHM
		FB610	071T 56G151 MD	0603 150 OHM
		FB611	071T 56G151 MD	0603 150 OHM
		FB612	071T 57U700 M	CHIP BEAD 1206 70OHM MICROGATE
		FB613	071T 57U700 M	CHIP BEAD 1206 70OHM MICROGATE
		FB614	071T 57U700 M	CHIP BEAD 1206 70OHM MICROGATE
		FB615	071T 57U700 M	CHIP BEAD 1206 70OHM MICROGATE
		FB701	071T2012221 2M	CHIP BEAD 0805 220 OHM 2000MA
		FB702	071T2012221 2M	CHIP BEAD 0805 220 OHM 2000MA
		FB7901	071T2012221 2M	CHIP BEAD 0805 220 OHM 2000MA
		FB7902	061T0805000	RST CHIPR 0 OHM +-5% 1/8W
OTHERS				
		X101	093T 22S64B H	HSX840GA 27.0000MHZ
		X201	093T 2264A J	CRY NXS27.000AE15F-BT1 HC-49/US
		X401	093T 22902 C	CRYSTAL 60MHZ 9P HC-49/S
		CN101	088T 100 11 ST	MINI DIN JACK 4P+ SWITCH 2MJ-0602-005
		CN102	088T 7813A18S	RCA JACK 1*3 R/W/Y
		CN103	088T 35521F ST	SCART CONN. 21P V/A
		CN104	088T 35521F ST	SCART CONN. 21P V/A
		CN106	088T 500 9 P	PCMCIA CONN.
		CN107	033T801930F C JS	FFC CONNECTOR 1.0PITCH 30P
		CN401	033T380211B Y	CONNECTOR
		CN404	088T 353 9M VX	D-SUB 9 PIN V/A 附 SCREW
		CN405	033T3802 3	WAFER EH-3
		CN501	088T 340 21 VN	HDMI HEADER 21P V/A
		CN502	088T 340 19CHA	HDMI HEADER 19P 0471518121
		CN503	088T 78 1360S	RCA JACK 1*3 G/B/R V/A
		CN504	088T 78 1357S	RCA JACK 1*1 W+R V/A
		CN505	088T 35315FVSC	D-SUB 15PIN VERTICAL CONN WITH SCREW
		CN506	088T 30252S	PHONE JACK 3.5MM 3P V/A GREEN
		CN517	088T 359 5 JT	FIBER-OPTIC 3P V/T JST1227
		CN601	088T 30211K	PHONE JACK

		CN602	033T3802 4B Y	CONNECTOR
		CN7901	033T327815D	CONNECTOR
POWER BOARD				
CAPACITOR				
		C901	063T107K474 US	X2 CAP 0.47UF K 275VAC
		C901	006G 31 4	1.7MM RIVET
		C902	065T306M1022BM GP	Y1.CAP.001UF 250VAC MURATA
		C903	065T306M1022BM GP	Y1.CAP.001UF 250VAC MURATA
		C904	063G 10722410M	0.22 UF 275VAC
		C904	006G 31502	1.5MM RIVET
		C905	063T210K105BCN	MPP CAP 1UF 520V P=15MM
		C905	006G 31502	1.5MM RIVET
		C906	065T306M1022BM GP	Y1.CAP.001UF 250VAC MURATA
		C907	067G215S10115R	CAPACITOR
		C907	006G 31502	1.5MM RIVET
		C909	067T215Y1007KT	EC105 10U 50V KEM50V
		C910	065T0805560 31	MLCC 0805 CAP 56PF J 50V NPO
		C911	065T0805104 32	CHIP 0.1UF 50V X7R
		C912	065T0805102 31	1000PF 50V NPO
		C913	065T0805103 32	10NF/50V/0805/X7R
		C914	065T0805224 32	0805.0.22UF.K.50V.X7R
		C915	065T0805103 32	10NF/50V/0805/X7R
		C916	067T215A1017KT	EC 100UF 50V 8*12MM
		C917	067T215Y1007KT	EC105 10U 50V KEM50V
		C918	065T0805104 32	CHIP 0.1UF 50V X7R
		C919	065T0805102 31	1000PF 50V NPO
		C920	065T0805104 32	CHIP 0.1UF 50V X7R
		C921	067T215Y1007KT	EC105 10U 50V KEM50V
		C922	065T0805474 22	CHIP 0.47UF 25V X7R
		C923	065T 1K222 2T6921	0.0022UF 1KV +-10%
		C924	065T0805102 32	CHIP 1000PF 50V X7R 0805
		C925	065T0805102 32	CHIP 1000PF 50V X7R 0805
		C926	067T215A1024KT	EC 1000UF 25V 10*25MM
		C928	067T215A4713KT	EC 470UF 16V 10*12.5MM
		C929	065T0805104 32	CHIP 0.1UF 50V X7R
		C930	065T0805104 32	CHIP 0.1UF 50V X7R
		C931	065T0805105 37	CHIP 1UF 50V Y5V
		C932	065T0805104 32	CHIP 0.1UF 50V X7R
		C933	065T0805221 31	220PF 50V NPO
		C934	065T0805224 22	CAIP CAP 0.22 UF 25V X7R
		C935	065T0805104 32	CHIP 0.1UF 50V X7R
		C936	065T0805104 32	CHIP 0.1UF 50V X7R
		C937	065T0805104 32	CHIP 0.1UF 50V X7R
		C939	067T215A4707KT	EC 47UF 50V 6.3*11MM
		C940	065T0805102 32	CHIP 1000PF 50V X7R 0805
		C941	063T211J273 5C 10	0.027UF 5% 1000V P=15MM

		C942	065T0805472 32	MLCC 0805 CAP 4700PF K 50V X7R
		C943	067T215A1026KV	EC 1000UF 35V 12.5*25MM
		C944	067T215A4716KT	EC 470UF 35V M 10*20MM
		C945	065T0805105 37	CHIP 1UF 50V Y5V
		C946	067T215S4714KL	ELCAP 105°C 470UF M 25V
		C947	067T215A2214KT	EC 220UF 25V 8*12MM
		C949	065T0805104 32	CHIP 0.1UF 50V X7R
		C950	065T306M1022BM GP	Y1.CAP.001UF 250VAC MURATA
		C951	065T 1K1032FE6921	CAP CER 1KV 10NF K Y5P 7.5MM
		C952	065T 1K1032FE6921	CAP CER 1KV 10NF K Y5P 7.5MM
		C953	065G 1K471 2T	470PF 1KV Z5P +-10%
		C954	065G0805470 31	47PF/50V/0805/NPO
		C955	065T0805105 22	CHIP 1UF 25V X7R 0805
		C956	065G 1K471 2T	470PF 1KV Z5P +-10%
		C957	065G1206105 32	CHIP 1UF 50V X7R 1206
DOIDE				
		BD901	093T 50460 18	D10XB60
		BD901	006G 31500	EYELET
		D902	093T 52 56	DIODE FMN-1106S 10A/600V TO-220
		D932	093T 64S901 T	DIODE LS4148
		D933	093T 5250S52T	AU02Z
		D934	093T 64S901 T	DIODE LS4148
		D935	093T 60298	DIODE SBT15006JST 15A/60V TO-220ML(LS)
		D935	006G 31502	1.5MM RIVET
		D936	093T 64S901 T	DIODE LS4148
		D937	093T1080 252T	DIODE SARSO1-V1 SANKEN
		D938	093T 64S901 T	DIODE LS4148
		D939	093T 64S901 T	DIODE LS4148
		D940	093T 64S901 T	DIODE LS4148
		D951	093T 64S901 T	DIODE LS4148
		D952	093T 64S901 T	DIODE LS4148
		D953	093T 64S901 T	DIODE LS4148
		D955	093T 60310	DIODE V30100C-E3/4W 30A/100V TO-220AB
		D956	093T 60298	DIODE SBT15006JST 15A/60V TO-220ML(LS)
		ZD931	093T 3916652T	MTZJ T-72 15B
		ZD932	093T 3917052T	MTZJT-72 27B
		ZD933	093T 39S 15 T	RLZ15B
		ZD934	093T 39S 20 T	RLZ22B LLDS
		ZD935	093T 39S 15 T	RLZ15B
		ZD936	093G 39S155	BZT52-C5V6
RESISTOR				
		NR901	061T 58030 WL	RST NTCR 3 OHM +-20% 5A THINKING
		R901	061T1206334	RST CHIPR 330 KOHM +-5% 1/4W
		R902	061T1206334	RST CHIPR 330 KOHM +-5% 1/4W
		R903	061T1206334	RST CHIPR 330 KOHM +-5% 1/4W
		R905	061T1206153	RST CHIPR 15 KOHM +-5% 1/4W

	R906	061T1206204	RST CHIPR 200 KOHM +-5% 1/4W
	R907	061T0805563	RST CHIPR 56 KOHM +-5% 1/8W
	R908	061T0805103	RST CHIPR 10 KOHM +-5% 1/8W
	R910	061T12066803FF	RST CHIPR 680KOHM +-1% 1/4W FENGHUA
	R911	061T12066803FF	RST CHIPR 680KOHM +-1% 1/4W FENGHUA
	R912	061T12066803FF	RST CHIPR 680KOHM +-1% 1/4W FENGHUA
	R913	061T0805130 2F	RST CHIPR 13KOHM +-1% 1/8W
	R914	061T1206000	RST CHIPR 0 OHM +-5% 1/4W
	R915	061T3SWJ10864D	RST WWR 0.1OHM +-5% 3WS
	R915	006G 31502	1.5MM RIVET
	R916	061T0805103	RST CHIPR 10 KOHM +-5% 1/8W
	R917	061T 60247152T	470OHM +-5% 1/6W
	R919	061T0805220	RST CHIPR 22 OHM +-5% 1/8W
	R920	061T1206150 3F	RST CHIPR 150KOHM +-1% 1/4W
	R921	061T1206150 3F	RST CHIPR 150KOHM +-1% 1/4W
	R922	061T1206150 3F	RST CHIPR 150KOHM +-1% 1/4W
	R924	061G1206100 4F	RST CHIPR 1 MOHM +-1% 1/4W
	R925	061T1206479	RST CHIPR 4.7 OHM +-5% 1/4W
	R926	061T 20J129GB1 SY	RST CEM 1.2OHM 10% 2W
	R926	006G 31502	1.5MM RIVET
	R927	061T0805103	RST CHIPR 10 KOHM +-5% 1/8W
	R928	061T0805220	RST CHIPR 22 OHM +-5% 1/8W
	R929	061G 21047152T	470 OHM 1% 1/6W
	R930	061T0805513	RST CHIPR 51 KOHM +-5% 1/8W
	R931	061T0805102	RST CHIPR 1KOHM +-5% 1/4W
	R932	061G1206680 3F	RST CHIPR 680KOHM +-1% 1/4W
	R933	061G1206680 3F	RST CHIPR 680KOHM +-1% 1/4W
	R934	061G1206680 3F	RST CHIPR 680KOHM +-1% 1/4W
	R935	061G1206100 4F	RST CHIPR 1 MOHM +-1% 1/4W
	R936	061G1206100 4F	RST CHIPR 1 MOHM +-1% 1/4W
	R937	061G208M10452T	RST MOF 100K 5% 1W
	R938	061T1206470	RST CHIPR 47 OHM +-5% 1/4W
	R939	061T1206470	RST CHIPR 47 OHM +-5% 1/4W
	R940	061T1206470	RST CHIPR 47 OHM +-5% 1/4W
	R941	061T1206470	RST CHIPR 47 OHM +-5% 1/4W
	R942	061T 17247152T	470OHM 5% 1/4W
	R943	061T0805102	RST CHIPR 1KOHM +-5% 1/4W
	R944	061T0805103	RST CHIPR 10 KOHM +-5% 1/8W
	R945	061T0805240 1F	RST CHIPR 2.4 KOHM +-1% 1/8W
	R946	061T0805240 1F	RST CHIPR 2.4 KOHM +-1% 1/8W
	R947	061T 17256052T	RST CFR 56 OHM +-5% 1/4W
	R948	061T0805620 2F	RST CHIPR 62 KOHM +-1% 1/8W
	R949	061T 17210252T	RST CFR 1KOHM +-5% 1/4W
	R950	061T0805103	RST CHIPR 10 KOHM +-5% 1/8W
	R951	061T 21030252T	3KOHM 1% 1/6W
	R952	061T0805302	RST CHIPR 3 KOHM +-5% 1/8W

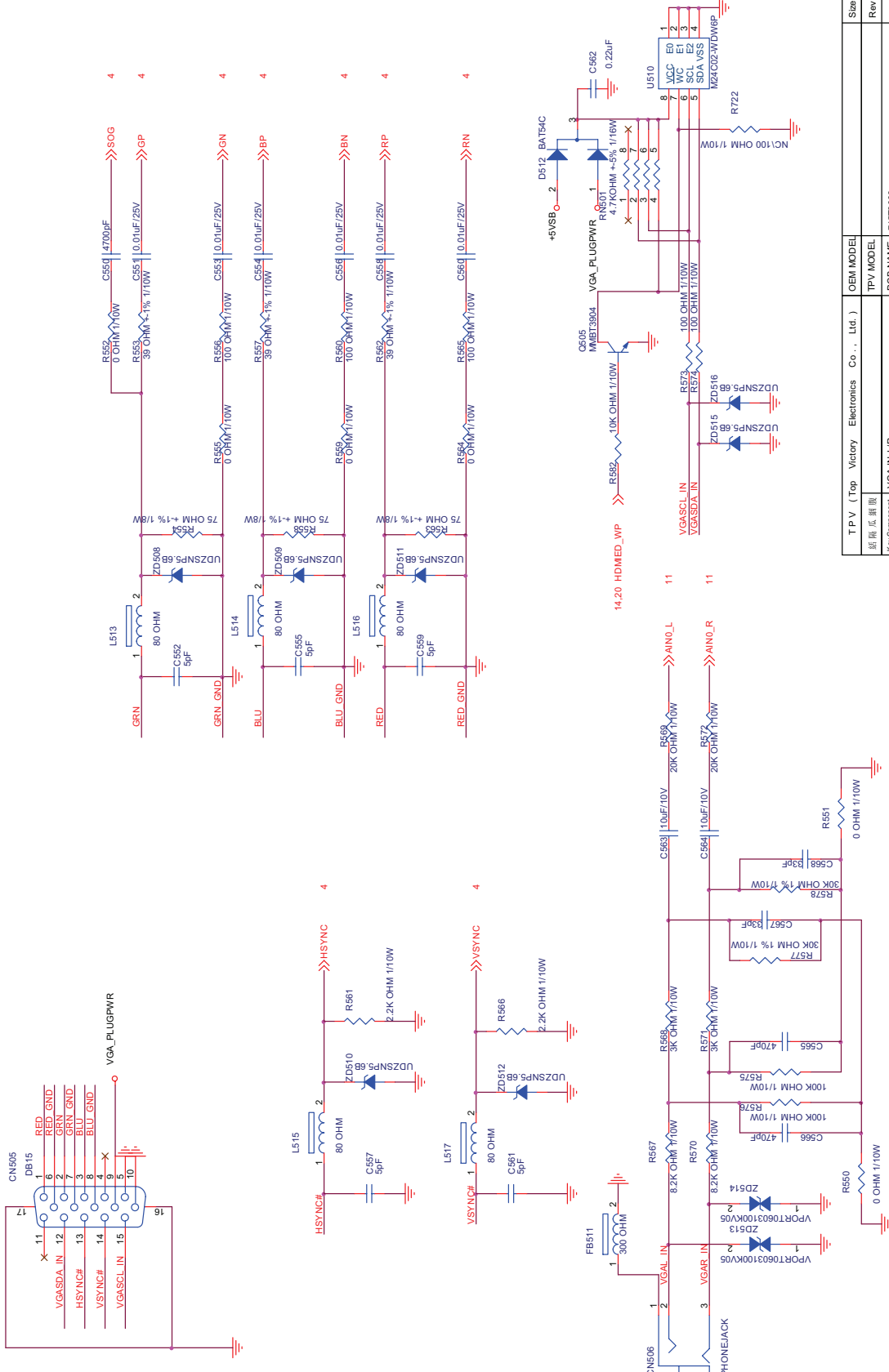
		R953	061T1206205	RST CHIPR 2 MOHM +-5% 1/4W
		R954	061T1206205	RST CHIPR 2 MOHM +-5% 1/4W
		R955	061T1206205	RST CHIPR 2 MOHM +-5% 1/4W
		R956	061T0805363	RST CHIPR 36 KOHM +-5% 1/8W
		R957	061T 17210352T	CFR 10KOHM +-5% 1/4W
		R958	061T0805180 2F	RST CHIPR 18 KOHM +-1% 1/8W
		R959	061T0805514	RST CHIPR 510KOHM +-5% 1/8W
		R960	061T0805220	RST CHIPR 22 OHM +-5% 1/8W
		R961	061T0805513	RST CHIPR 51 KOHM +-5% 1/8W
		R962	061T0805220	RST CHIPR 22 OHM +-5% 1/8W
		R963	061T0805513	RST CHIPR 51 KOHM +-5% 1/8W
		R964	061T 17210252T	RST CFR 1KOHM +-5% 1/4W
		R965	061T2SWJ50852T	RST WWR 0.5OHM +-5% 2WS NKNP2WS
		R966	061T 20039252T	RST MFR 3.9KOHM +-1% 1/4W
		R967	061T 20010152T	100 OHM 1% 1/4W
		R968	061T 17262252T	6.2KPHM 5% 1/4W
		R969	061G 17233252T	3.3K 1/4W
		R970	061T0805102	RST CHIPR 1KOHM +-5% 1/4W
		R971	061T0805470 2F	RST CHIPR 47 KOHM +-1% 1/8W
		R972	061T0805205 2F	RST CHIPR 20.5KOHM +-1% 1/8W
		R973	061G0805196 1F	RST CHIP 1.96K 1/8W 1%
		R974	061T1206512	RST CHIPR 5.1KOHM +-5% 1/4W
		R975	061T1206512	RST CHIPR 5.1KOHM +-5% 1/4W
		R976	061T1206152	RST CHIPR 1.5 KOHM +-5% 1/4W
		R977	061T0805222	RST CHIPR 2.2 KOHM +-5% 1/8W
		R978	061T0805100 3F	RST CHIPR 100 KOHM +-1% 1/8W
		R979	061T0805820 2F	RST CHIPR 82 KOHM +-1% 1/8W
		R980	061T0805204	RST CHIPR 200 KOHM +-5% 1/8W
		R981	061G0805513	RST CHIPR 51K OHM +-5% 1/8W
		RV901	061T 46 12 GP	VARISTOR 680V TNR15G681K
		RV901	006G 31501	EYELET
		F901	084T 33 10	FUSE CLIP
		F901	084T 41 7	FUSE 5A 250V LITTELFUSE 215005
COIL&FILTER				
		L901	006G 31502	1.5MM RIVET
		L901	S73T174106V	TRANSFORMER ASS'Y
		L902	006G 31502	1.5MM RIVET
		L902	S73T174106V	TRANSFORMER ASS'Y
		L903	071T 55 21	IND BEAD 10.0*6.0
		L906	073T 174122 L	PFC CHOKE 230UH PT-009321
		L906	006G 31502	1.5MM RIVET
		L931	073T 253 91 H	CHOKE COIL
		L932	073T 253 91 H	CHOKE COIL
		L971	073T 253150 L	CHOCK
		FB901	071T 55 26 S	FERRITE CORE
		FB902	071G 55 9 T	FERRITE BEAD

		FB904	084T 53 3 C	FUSE 1A 250V
		FB905	061T 30310852T GP	0.1 OHM 1W FUSE RESISTOR
		FB906	071T 55 26 S	FERRITE CORE
IC				
		IC901	056T 368 12	IC FAN7529MX SOP-8
		IC931	056T 379 79	IC LD7522PS SOP-8
		IC932	056T 139 3B	IC PC123Y82FZ0F
		IC933	056T 158 10 T	IC AS431AZTR-E1 TO-92
		IC934	056T 139 3B	IC PC123Y82FZ0F
		IC951	056T 665 10 1	IC RESONANT L6599DTR SO-16N ST
		IC952	056T 139 3B	IC PC123Y82FZ0F
		IC953	056T 158 10 T	IC AS431AZTR-E1 TO-92
TRANSISTOR				
		Q901	057T 600 72	FET SPW16N50C3 16A/560V P-TO247
		Q931	057T 667 52	FET 2SK4100LS-T 7A/650V TO-220FI(LS)
		Q931	006G 31502	1.5MM RIVET
		Q932	057T 761 7	KTD1691P
		Q933	057T 417 12 T	TRA 2N3904S-RTK/PS SOT-23 KEC
		Q934	057T 417 12 T	TRA 2N3904S-RTK/PS SOT-23 KEC
		Q951	057T 611 9	FET 2SK4097LS 9.5A/500V TO-220FI(LS)
		Q951	006G 31502	1.5MM RIVET
		Q952	057T 611 9	FET 2SK4097LS 9.5A/500V TO-220FI(LS)
		Q952	006G 31502	1.5MM RIVET
TRANSFORMER				
		T931	080TL32T 5 N	X'FMR 1.9MH YUVA-827
		T931	006G 31502	1.5MM RIVET
		T951	080TL40T 8 YS	X'FMR 600UH YS04160149
		T951	006G 31 4	1.7MM RIVET
OTHERS				
		CN901	033T8029 3A	WAFER 2P 3.96MM
		CN901	006G 31500	EYELET
		CN902	033T327812D	WAFER 12P PLUG
		CN903	033T380213B Y	CONNECTOR
		J901	095G 90 23	JUMPER
		J902	095G 90 23	JUMPER
		J903	095G 90 23	JUMPER
		J905	095G 90 23	JUMPER
		J906	095G 90 23	JUMPER
		J907	095G 90 23	JUMPER
		J910	095G 90 23	JUMPER
		J911	095G 90 23	JUMPER
		J912	095G 90 23	JUMPER
		J914	095G 90 23	JUMPER
		J915	095G 90 23	JUMPER
		J916	095G 90 23	JUMPER
		J917	095G 90 23	JUMPER

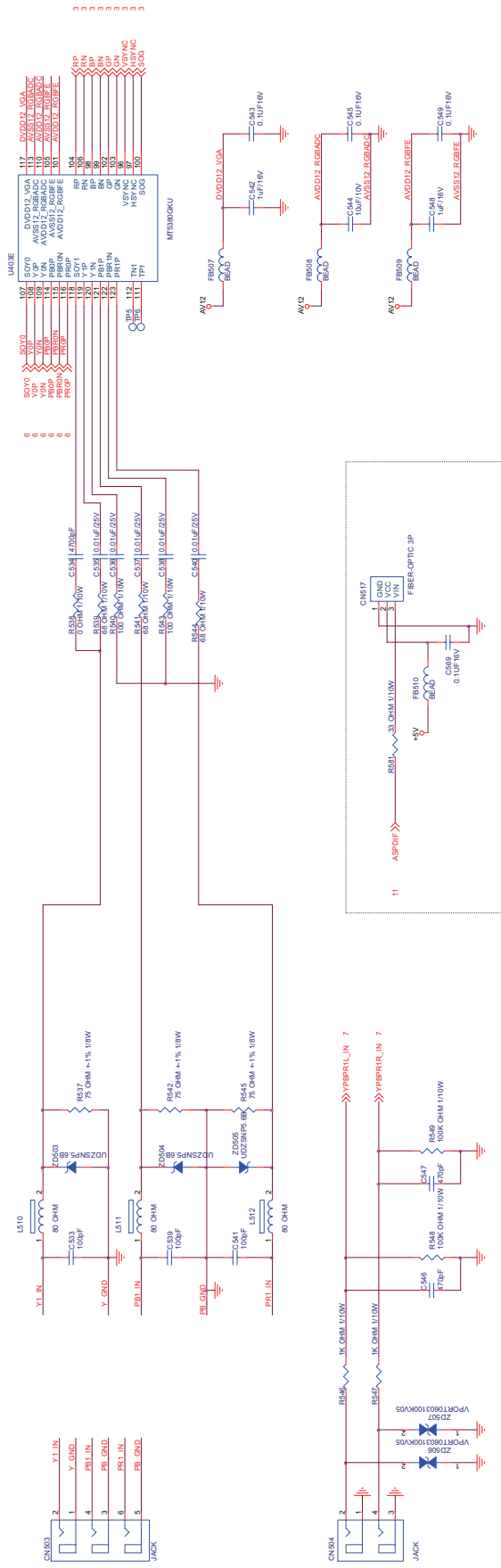
	J918	095G 90 23	JUMPER
	J919	095G 90 23	JUMPER
	J920	095G 90 23	JUMPER
	J921	095G 90 23	JUMPER
	J922	095G 90 23	JUMPER
	J923	095G 90 23	JUMPER
	J925	095G 90 23	JUMPER
	J926	095G 90 23	JUMPER
	J927	095G 90 23	JUMPER
	J928	095G 90 23	JUMPER
	J929	095G 90 23	JUMPER
		705TQ757011	Q951 ASS'Y
		705TQ757012	Q952 ASS'Y
		705TQ757013	Q931 ASS'Y
		705TQ757022	Q901 ASS'Y
		705TQ761021	NR901 ASS'Y
		705TQ793021	D902 ASS'Y
		705TQ793022	D935 ASS'Y
		705TQ793023	D955/D956 ASS'Y
		705TQ861007	RV901 ASS'Y
		705TQ884002	F901 ASS'Y
		705TQ893012	BD901 ASS'Y
KEY BOARD			
	C001	065T0603104 22	CHIP 0.1UF 25V
	C002	065T0603104 22	CHIP 0.1UF 25V
	CN001	033T3802 4 BH F	CONNECTOR
	R001	061G0603110 2F	RST CHIPR 11 KOHM +-1% 1/10W
	R002	061T0603430 1F	RST CHIPR 4.3 KOHM +-1% 1/10W
	R003	061T0603180 1F	RST CHIPR 1.8 KOHM +-1% 1/10W
	R004	061T0603470 0F	RST CHIPR 470 OHM +-1% 1/10W
	R005	061T0603430 1F	RST CHIPR 4.3 KOHM +-1% 1/10W
	R006	061T0603180 1F	RST CHIPR 1.8 KOHM +-1% 1/10W
	R007	061T0603470 0F	RST CHIPR 470 OHM +-1% 1/10W
	R008	061T1206000 F	RST CHIPR 0 OHM +-5% 1/4W FENGHUA
	SW001	077T 600 1GCJ	TACT SWITCH TSPB-2 -NP
	SW002	077T 600 1GCJ	TACT SWITCH TSPB-2 -NP
	SW003	077T 600 1GCJ	TACT SWITCH TSPB-2 -NP
	SW004	077T 600 1GCJ	TACT SWITCH TSPB-2 -NP
	SW005	077T 600 1GCJ	TACT SWITCH TSPB-2 -NP
	SW006	077T 600 1GCJ	TACT SWITCH TSPB-2 -NP
	SW007	077T 600 1GCJ	TACT SWITCH TSPB-2 -NP
IR BOARD			
	C001	065T0603101 32	CHIP 100PF 50V X7R
	C002	065T0805106 A7	CHIP 10UF 10V Y5V 0805
	C003	065T0603104 32 GP	CHIP 0.1UF 50V X7R
	CN001	033T8032 6F S HR	CONNECTOR

		GND	095T 900593	HARNESS
		LED	081T 10 13 EL	LG-ASSIGN 339-1SURUBW/C470/A3/S1232
		R001	061T0603222	CHIP 2.2K OHM 1/16W
		R002	061T0603222	CHIP 2.2K OHM 1/16W
		R003	061T0603330	CHIP 33OHM 1/16W
		R004	061T0603101	RST CHIPR 100 OHM +-5% 1/10W
		R005	061T0603103	RST CHIPR 10KOHM +-5% 1/10W
		R006	061T0603110 2F	RST CHIPR 11KOHM +-1% 1/10W
		SW001	077T 603 3 TO	TACT SWITCH TS-03-BS
		U001	056T 627 33 1	IR 37.9KHZ KSM-603TM2E
		ZD001	093T 39S 34 T	UDZSNP5.6B ROHM
			Q11T5049 1	LED HOLDER

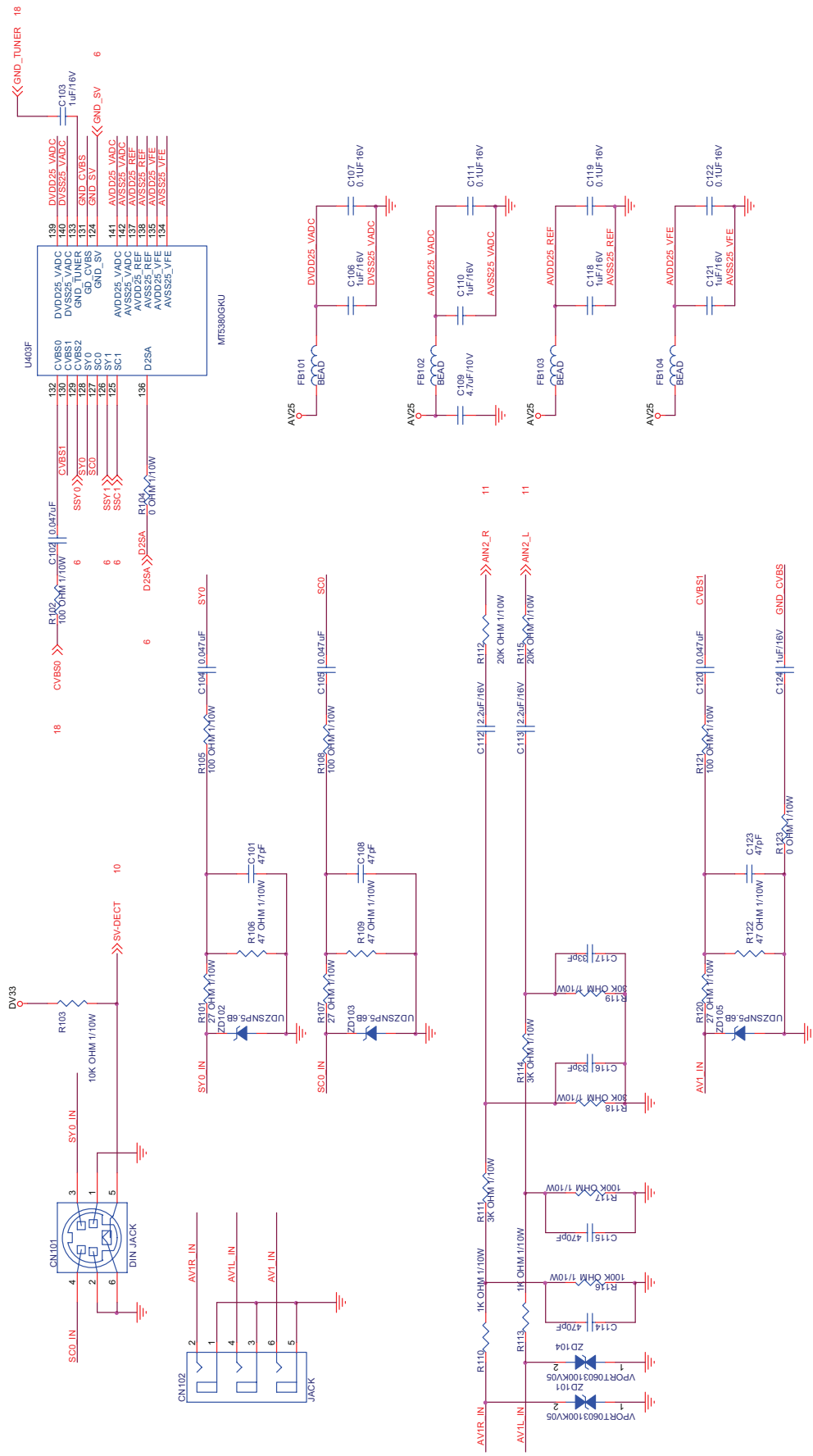
MAIN BOARD PARTS



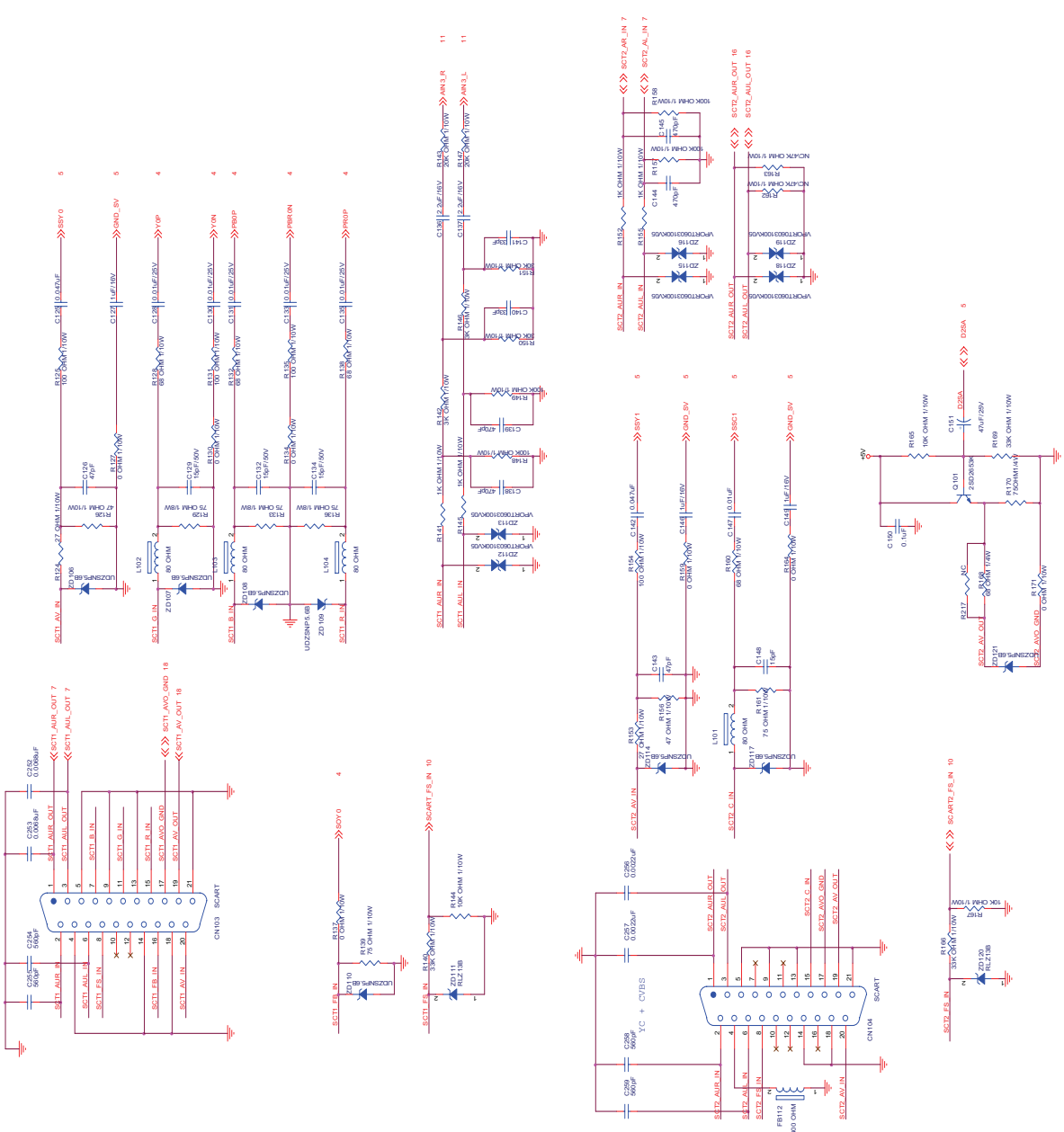
TP.V (Top)	Victory Electronics Co., Ltd.	OEM MODEL	Size	B
銅板加工		TPV MODEL	Rev	H
KeyComponent	VGA IN L/R	PCB NAME	71513009	
Date	Fri May 20, 2008	Sheet	3	of 21
				<修書>



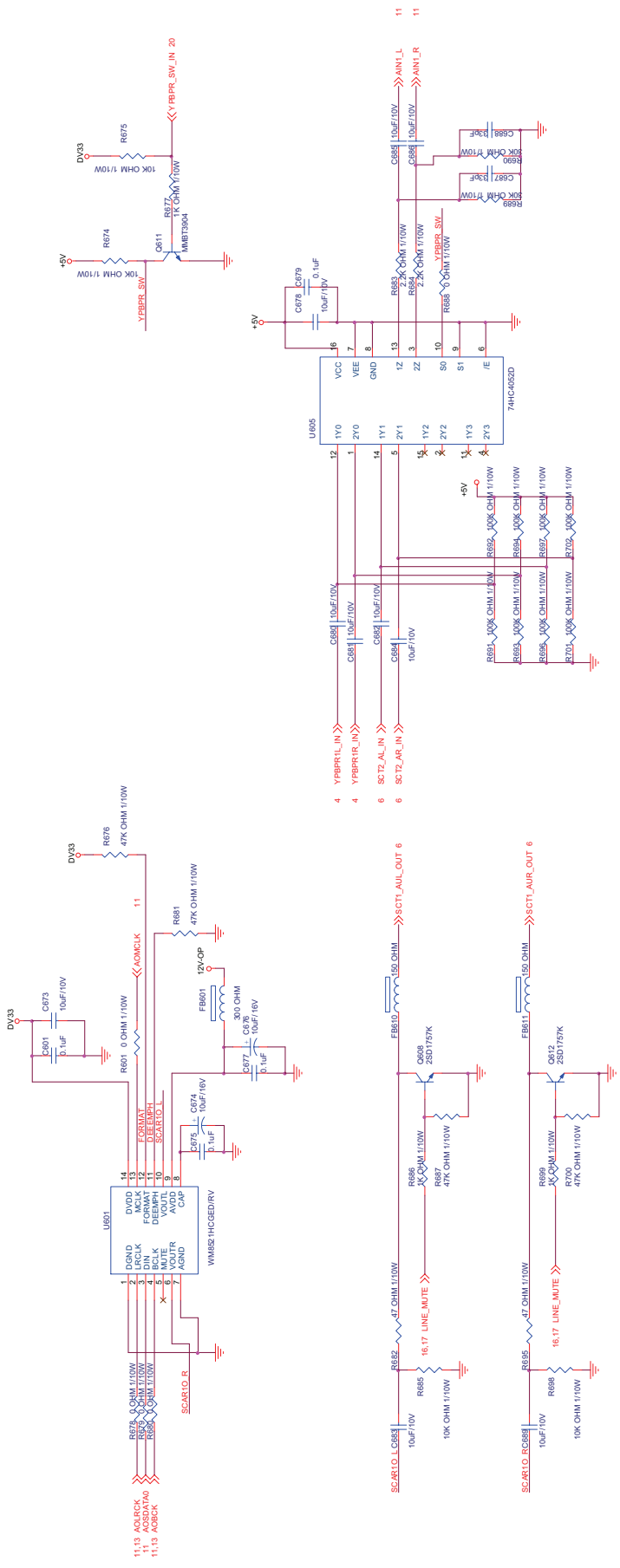
TPV (Top View)	Verisy Electronics Co., Ltd.	GERM MODEL	Size	Custom
背面 (Bottom View)		TPV MODEL	Rev	H
File comment: YP9PHUR		PCB NAME: 71STD009	Rev H	
Date: Friday, June 20, 2008		Sheet 2 of 21	Rev H	



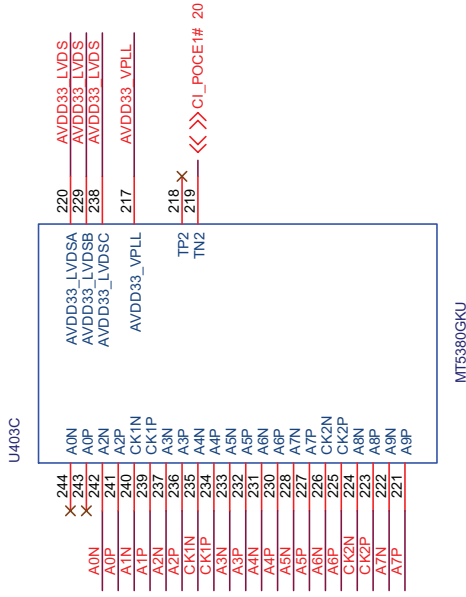
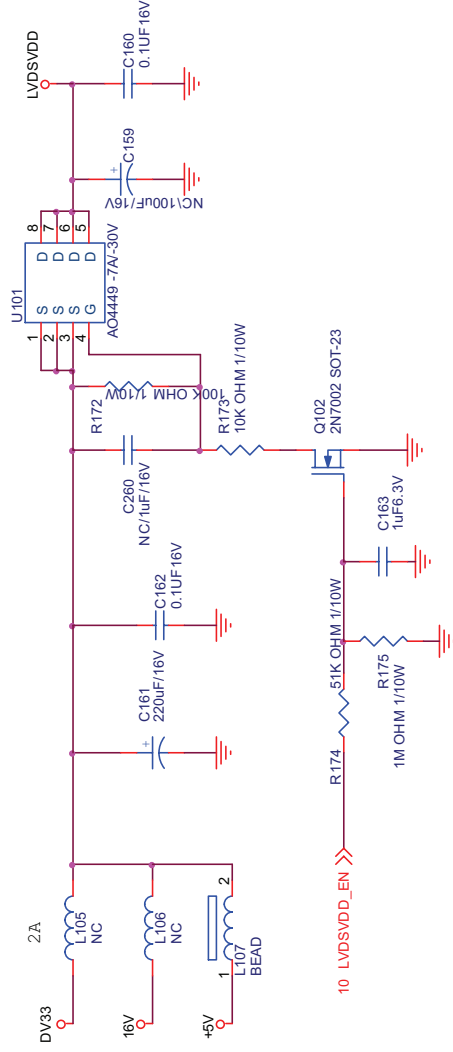
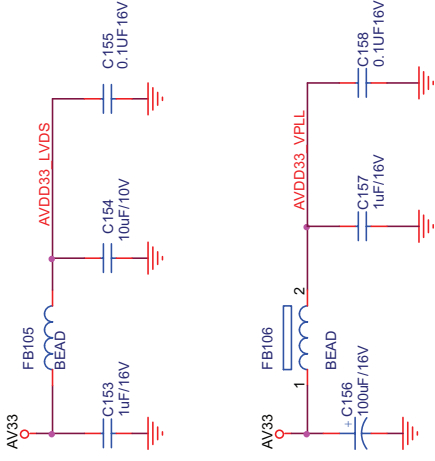
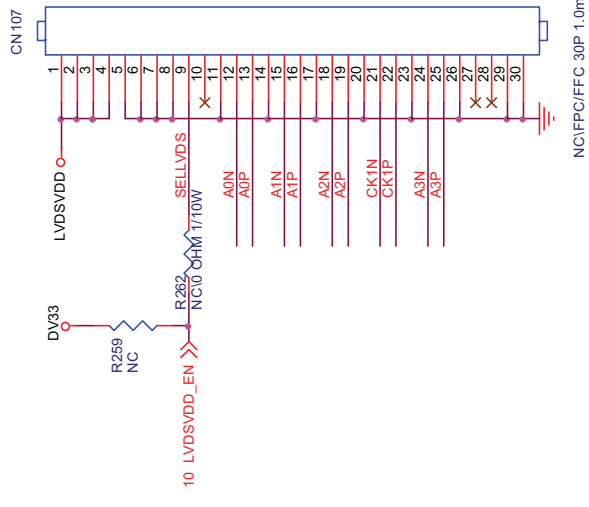
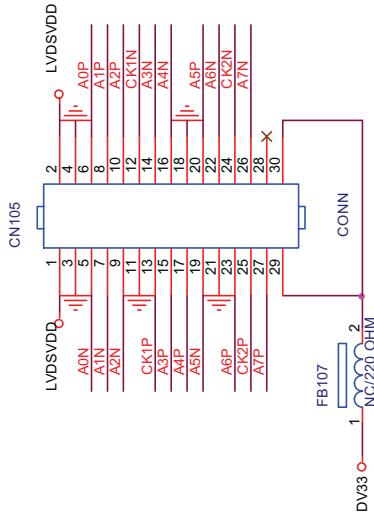
T P V (Top Victory Electronics Co. , Ltd.)		OEM MODEL	Size	B
新開瓜 演戲		TPV MODEL	Rev	H
Key Component SCART connector		PCB NAME	715T3009 修養	
Date Friday, June 20, 2008		Sheet	5	of 21



TPV / Top Valley Electronics Co., Ltd.	GERMAD001	Rev	4
廖国良	TPV MODEL	Rev	4
廖国良	PCB NAME	7/107000	Rev
廖国良	Sheet	4	21



TPV (Top Victory Electronics Co., Ltd.)	CRM MODEL	Size	Custom
最高优先级	TPV MODEL	Rev	H
Key Component	SCART Audio in & out	Rev	H
DATE	Friday, June 20, 2008	Sheet	7 of 21



T P V (Top Victory Electronics Co., Ltd.)		OEM MODEL	Size	A4
结构/瓜/封装		TPV MODEL	Rev	H
Key Component		PCB NAME	715T3009	<标题>
Date		Sheet	8	of 21
			Friday, June 20, 2008	