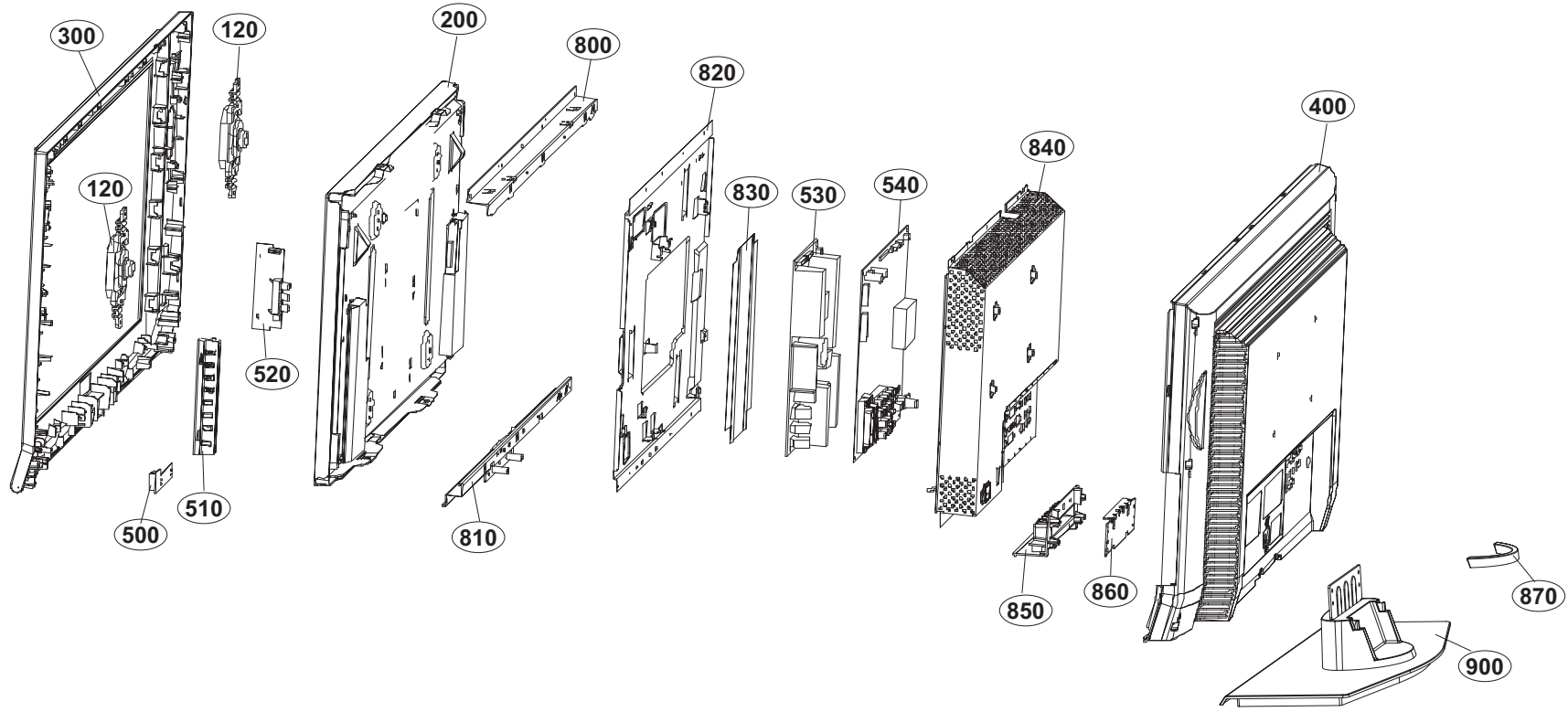







EXPLODED VIEW

- 24 -



EXPLODED VIEW PARTS LIST

No.	PART NO.	DESCRIPTION
120	EAB30826701	Speaker,Fullrange, EN1527C-6603-1. ND 7W 8OHM 80DB 170HZ 71.5 X 42 X 29.5 LUG KOREA TOPTONE
200	 6304FLP351A	LCD,Module-TFT, LC260WX2-SLB3 DRIVER 26INCH 1365X768 500CD COLOR 72% 16/9 700:1 - LG PHILIPS LCD
	or 6304FLP190A	LCD,Module-TFT, LC260WX2-SL03 DRIVER 26.0INCH 1366X768 500CD COLOR - - 600VS1 - LG PHILIPS LCD
300	 ABJ31679802	Cabinet Assembly, 26LC3R H3-M 26" BRAND HIPS 51SF CKD P/NO.
400	 ACQ31679902	Cover Assembly,Rear, 26LC3R H3-M 26" BACK COVER ASSY HIPS 51SF BLACK CKD P/NO.
500	EBR30666303	PCB Assembly,Sub, SUB T.T LP61A 26LC3R-ZJ AEUULHX Preamp+LED for DMS
510	EBR35373801	PCB Assembly,Sub, CONTROL T.T LP61A 26LC3R-ZJ AEULLHX CONTROL ASS'Y FOR DMS
520	EBR33879401	PCB Assembly,Sub, SUB T.T LP61A 26LC3R-ZJ AEUULHX Side AV T.T
530	 6709900016C	SMPS,AC/DC, LGLP2637HEP 90VTO264V 215W 47TO63HZ UL/CSA/SEMKO YY / AT / H&E YUYANG TELECOM CO.,LTD
	or 6709900016A	Power Supply Assembly, FREE H3/E2 LCD MODEL LCD LG ELECTRONICS LB LC
540	33139L2010A	Main Total Assembly, 26LC2R BRAND LP61A
800	MGJ32424605	Plate, PRESS EGI T1.0 METAL HGI 26LC3R top bar "A" CORE CKD P/NO.
810	MGJ32424705	Plate, PRESS EGI T1.2 METAL HGI 26LC3R bottom bar "A" CORE CKD P/NO.
820	ADV31680402	Frame Assembly, 26LC3R H3-M 26" MIDDLE PLATE ASSY 0.8T SECC CKD P/NO.
830	MEV34215301	Insulator, CUTTING PVC SMPS PVC 124 X 251 X 0.5T 26LC3R
840	ADV31734202	Frame Assembly, 26LC3R - 26" 26LC3R rear shield 0.8t CKD P/NO.
850	ABA32490902	Bracket Assembly, BRACKET 26LC3R-ZJ LP61A 26LC3R REAR BRACKET ASSY CKD
860	MJH33981101	Supporter, PRESS SECC 1.2 GUIDE EGI 26LC3R stand metal support 1.2t
870	MCK32425401	Cover, MOLD ABS 26LC4D-AA ABS -AAN31665903
900	 AAN31665903	Base Assembly, BASE 26LC3R-ZJ - 26LC3R STAND ASSEMBLY, SILVER CKD P/NO.

REPLACEMENT PARTS LIST

For Capacitor & Resistors, the characters at 2nd and 3rd digit in the P/No. means as follows;	CC, CX, CK, CN, CH : Ceramic CQ : Polyester CE : Electrolytic CF : Fixed Film	RD : Carbon Film RS : Metal Oxide Film RN : Metal Film RH : CHIP, Metal Glazed(Chip) RR : Drawing
---	--	---

DATE: 2006. 10. 30.				
*S	*AL	LOC. NO.	PART NO.	DESCRIPTION / SPECIFICATION
MAIN BOARD				
CAPACITOR				
			C1001	0CE107WF6DC MVK6.3TP16VC100M 100uF 20%
			C1003	0CE107WF6DC MVK6.3TP16VC100M 100uF 20%
			C1007	0CE107WF6DC MVK6.3TP16VC100M 100uF 20%
			C1009	0CE107WF6DC MVK6.3TP16VC100M 100uF 20%
			C1017	0CE477WF6DC MVK10TP16VC470M 470uF 20% 1
			C1018	0CE227WF6DC MVK8.0TP16VC220M 220uF 20%
			C1019	0CE477WF6DC MVK10TP16VC470M 470uF 20% 1
			C1021	0CE227WF6DC MVK8.0TP16VC220M 220uF 20%
			C1031	0CE107WF6DC MVK6.3TP16VC100M 100uF 20%
			C1038	0CE477WF6DC MVK10TP16VC470M 470uF 20% 1
			C1040	0CE476WF6DC MVK6.3TP16VC47M 47uF 20% 16
			C1046	0CE477WF6DC MVK10TP16VC470M 470uF 20% 1
			C1047	0CE107WF6DC MVK6.3TP16VC100M 100uF 20%
			C1048	0CE107WF6DC MVK6.3TP16VC100M 100uF 20%
			C1064	0CE107WF6DC MVK6.3TP16VC100M 100uF 20%
			C1065	0CE107WF6DC MVK6.3TP16VC100M 100uF 20%
			C1066	0CE107WF6DC MVK6.3TP16VC100M 100uF 20%
			C1068	0CE107WF6DC MVK6.3TP16VC100M 100uF 20%
			C1070	0CE476WF6DC MVK6.3TP16VC47M 47uF 20% 16
			C1074	0CE107WF6DC MVK6.3TP16VC100M 100uF 20%
			C118	0CE227SF6DC MVG6.3TP16VC220M 220uF 20%
			C119	0CE227SF6DC MVG6.3TP16VC220M 220uF 20%
			C124	0CE227SF6DC MVG6.3TP16VC220M 220uF 20%
			C125	0CE227SF6DC MVG6.3TP16VC220M 220uF 20%
			C126	0CE106WH6DC MVK5.0TP25VC10M 10uF 20% 25
			C128	0CE106WH6DC MVK5.0TP25VC10M 10uF 20% 25
			C131	0CE476WF6DC MVK6.3TP16VC47M 47uF 20% 16
			C134	0CE106WH6DC MVK5.0TP25VC10M 10uF 20% 25
			C135	0CE106WH6DC MVK5.0TP25VC10M 10uF 20% 25
			C142	0CE476WF6DC MVK6.3TP16VC47M 47uF 20% 16
			C313	0CE476WF6DC MVK6.3TP16VC47M 47uF 20% 16
			C340	0CE107WF6DC MVK6.3TP16VC100M 100uF 20%
			C343	0CE476WF6DC MVK6.3TP16VC47M 47uF 20% 16
			C345	0CE226WF6DC MVK5.0TP16VC22M 22uF 20% 16
			C401	0CE476WF6DC MVK6.3TP16VC47M 47uF 20% 16
			C500	0CE477WF6DC MVK10TP16VC470M 470uF 20% 1
			C502	0CE477WF6DC MVK10TP16VC470M 470uF 20% 1
			C513	0CE477WF6DC MVK10TP16VC470M 470uF 20% 1
			C525	0CE107WF6DC MVK6.3TP16VC100M 100uF 20%
			C604	0CE227WF6DC MVK8.0TP16VC220M 220uF 20%
			C629	0CE475WJ6DC MVK4.0TP35VC4.7M 4.7uF 20%
			C637	0CE335WK6D8 MVK4.0TP50VC3.3M 3.3uF 20%
			C657	0CE226WF6DC MVK5.0TP16VC22M 22uF 20% 16
			C658	0CE226WF6DC MVK5.0TP16VC22M 22uF 20% 16
			C659	0CE226WF6DC MVK5.0TP16VC22M 22uF 20% 16
			C660	0CE226WF6DC MVK5.0TP16VC22M 22uF 20% 16
			C676	0CE226WF6DC MVK5.0TP16VC22M 22uF 20% 16
			C677	0CE226WF6DC MVK5.0TP16VC22M 22uF 20% 16
			C682	0CE226WF6DC MVK5.0TP16VC22M 22uF 20% 16
			C683	0CE226WF6DC MVK5.0TP16VC22M 22uF 20% 16
			C684	0CE226WF6DC MVK5.0TP16VC22M 22uF 20% 16
			C685	0CE226WF6DC MVK5.0TP16VC22M 22uF 20% 16

DATE: 2006. 10. 30.				
*S	*AL	LOC. NO.	PART NO.	DESCRIPTION / SPECIFICATION
			C686	0CE226WF6DC MVK5.0TP16VC22M 22uF 20% 16
			C719	0CE226WF6DC MVK5.0TP16VC22M 22uF 20% 16
			C727	0CE226WF6DC MVK5.0TP16VC22M 22uF 20% 16
			C733	0CE226WF6DC MVK5.0TP16VC22M 22uF 20% 16
			C743	0CE226WF6DC MVK5.0TP16VC22M 22uF 20% 16
			C744	0CE226WF6DC MVK5.0TP16VC22M 22uF 20% 16
			C756	0CE476WF6DC MVK6.3TP16VC47M 47uF 20% 16
			C757	0CE106WH6DC MVK5.0TP25VC10M 10uF 20% 25
			C758	0CE476WF6DC MVK6.3TP16VC47M 47uF 20% 16
			C759	0CE476WF6DC MVK6.3TP16VC47M 47uF 20% 16
			C760	0CE476WF6DC MVK6.3TP16VC47M 47uF 20% 16
			C761	0CE476WF6DC MVK6.3TP16VC47M 47uF 20% 16
			C762	0CE476WF6DC MVK6.3TP16VC47M 47uF 20% 16
			C763	0CE476WF6DC MVK6.3TP16VC47M 47uF 20% 16
			C800	0CE107WF6DC MVK6.3TP16VC100M 100uF 20%
			C802	0CE226WF6DC MVK5.0TP16VC22M 22uF 20% 16
			C828	0CE107WK6DC MVK10TP50VC100M 100uF 20% 5
			C860	0CE227WJ6DC MVK10TP35VC220M 220uF 20% 3
			C861	0CE227WJ6DC MVK10TP35VC220M 220uF 20% 3
			C863	0CE106WH6DC MVK5.0TP25VC10M 10uF 20% 25
			C868	0CE475WJ6DC MVK4.0TP35VC4.7M 4.7uF 20%
			C869	0CE475WJ6DC MVK4.0TP35VC4.7M 4.7uF 20%
			C912	0CE476WF6DC MVK6.3TP16VC47M 47uF 20% 16
			C917	0CE477WF6DC MVK10TP16VC470M 470uF 20% 1
			C922	0CE476WF6DC MVK6.3TP16VC47M 47uF 20% 16
			C931	0CE476WF6DC MVK6.3TP16VC47M 47uF 20% 16
			C932	0CE476WF6DC MVK6.3TP16VC47M 47uF 20% 16
			C933	0CE477WF6DC MVK10TP16VC470M 470uF 20% 1
			C935	0CE477WF6DC MVK10TP16VC470M 470uF 20% 1
			C939	0CE477WF6DC MVK10TP16VC470M 470uF 20% 1
			C946	0CE107WF6DC MVK6.3TP16VC100M 100uF 20%
			C947	0CE107WF6DC MVK6.3TP16VC100M 100uF 20%
			C948	0CE107WF6DC MVK6.3TP16VC100M 100uF 20%
			C951	0CE477WF6DC MVK10TP16VC470M 470uF 20% 1
			C953	0CE477WF6DC MVK10TP16VC470M 470uF 20% 1
			C955	0CE107WF6DC MVK6.3TP16VC100M 100uF 20%
			C978	0CE476WF6DC MVK6.3TP16VC47M 47uF 20% 16
			C979	0CE476WF6DC MVK6.3TP16VC47M 47uF 20% 16
			C980	0CE476WF6DC MVK6.3TP16VC47M 47uF 20% 16
			C981	0CE476WF6DC MVK6.3TP16VC47M 47uF 20% 16
			C982	0CE476WF6DC MVK6.3TP16VC47M 47uF 20% 16
			C983	0CE476WF6DC MVK6.3TP16VC47M 47uF 20% 16
			C984	0CE476WF6DC MVK6.3TP16VC47M 47uF 20% 16
			C985	0CE476WF6DC MVK6.3TP16VC47M 47uF 20% 16
			C986	0CE476WF6DC MVK6.3TP16VC47M 47uF 20% 16
			C988	0CE106WH6DC MVK5.0TP25VC10M 10uF 20% 25
			C1016	0CE477EJ618 KMG5.0TP35VB470M 470uF 20%
			C1020	0CE477EJ618 KMG5.0TP35VB470M 470uF 20%
			C1000	0CK104CK56A 0603B104K500CT 100nF 10% 50
			C1002	0CK104CK56A 0603B104K500CT 100nF 10% 50
			C1004	0CK104CK56A 0603B104K500CT 100nF 10% 50
			C1006	0CK103CK56A 0603B103K500CT 10nF 10% 50V
			C1011	0CK103CK56A 0603B103K500CT 10nF 10% 50V
			C1012	0CK104CK56A 0603B104K500CT 100nF 10% 50

DATE: 2006. 10. 30.				
*S	*AL	LOC. NO.	PART NO.	DESCRIPTION / SPECIFICATION
		C1013	0CK104CK56A	0603B104K500CT 100nF 10% 50
		C1014	0CK104CK56A	0603B104K500CT 100nF 10% 50
		C1015	0CK104CK56A	0603B104K500CT 100nF 10% 50
		C1022	0CK104CK56A	0603B104K500CT 100nF 10% 50
		C1023	0CK104CK56A	0603B104K500CT 100nF 10% 50
		C1024	0CK104CK56A	0603B104K500CT 100nF 10% 50
		C1025	0CK104CK56A	0603B104K500CT 100nF 10% 50
		C1026	0CK103CK56A	0603B103K500CT 10nF 10% 50V
		C1027	0CK104CK56A	0603B104K500CT 100nF 10% 50
		C1029	0CK103CK56A	0603B103K500CT 10nF 10% 50V
		C1036	0CK104CK56A	0603B104K500CT 100nF 10% 50
		C1037	0CK104CK56A	0603B104K500CT 100nF 10% 50
		C1039	0CK103CK56A	0603B103K500CT 10nF 10% 50V
		C1043	0CK104CK56A	0603B104K500CT 100nF 10% 50
		C1045	0CK104CK56A	0603B104K500CT 100nF 10% 50
		C1050	0CK104CK56A	0603B104K500CT 100nF 10% 50
		C1051	0CK104CK56A	0603B104K500CT 100nF 10% 50
		C1052	0CK104CK56A	0603B104K500CT 100nF 10% 50
		C1054	0CK104CK56A	0603B104K500CT 100nF 10% 50
		C1056	0CK103CK56A	0603B103K500CT 10nF 10% 50V
		C1057	0CK103CK56A	0603B103K500CT 10nF 10% 50V
		C1058	0CK103CK56A	0603B103K500CT 10nF 10% 50V
		C1061	0CK103CK56A	0603B103K500CT 10nF 10% 50V
		C1072	0CK104CK56A	0603B104K500CT 100nF 10% 50
		C1073	0CK103CK56A	0603B103K500CT 10nF 10% 50V
		C111	0CK103CK56A	0603B103K500CT 10nF 10% 50V
		C112	0CC102CK41A	C1608C0G1H102JT 1nF 5% 50V
		C113	0CK103CK56A	0603B103K500CT 10nF 10% 50V
		C114	0CC102CK41A	C1608C0G1H102JT 1nF 5% 50V
		C115	0CK103CK56A	0603B103K500CT 10nF 10% 50V
		C116	0CC102CK41A	C1608C0G1H102JT 1nF 5% 50V
		C117	0CK103CK56A	0603B103K500CT 10nF 10% 50V
		C120	0CC102CK41A	C1608C0G1H102JT 1nF 5% 50V
		C137	0CK104CK56A	0603B104K500CT 100nF 10% 50
		C138	0CK104CK56A	0603B104K500CT 100nF 10% 50
		C141	0CK104CK56A	0603B104K500CT 100nF 10% 50
		C163	0CK103CK56A	0603B103K500CT 10nF 10% 50V
		C164	0CK103CK56A	0603B103K500CT 10nF 10% 50V
		C309	0CK103CK56A	0603B103K500CT 10nF 10% 50V
		C310	0CK103CK56A	0603B103K500CT 10nF 10% 50V
		C311	0CC470CK41A	C1608C0G1H470JT 47pF 5% 50V
		C312	0CK104CK56A	0603B104K500CT 100nF 10% 50
		C316	0CC120CK41A	C1608C0G1H120JT 12pF 5% 50V
		C317	0CC120CK41A	C1608C0G1H120JT 12pF 5% 50V
		C337	0CK104CK56A	0603B104K500CT 100nF 10% 50
		C339	0CK104CK56A	0603B104K500CT 100nF 10% 50
		C350	0CK103CK56A	0603B103K500CT 10nF 10% 50V
		C351	0CK104CK56A	0603B104K500CT 100nF 10% 50
		C352	0CK104CK56A	0603B104K500CT 100nF 10% 50
		C400	0CK104CK56A	0603B104K500CT 100nF 10% 50
		C406	0CK104CK56A	0603B104K500CT 100nF 10% 50
		C407	0CK104CK56A	0603B104K500CT 100nF 10% 50
		C408	0CK104CK56A	0603B104K500CT 100nF 10% 50
		C409	0CK104CK56A	0603B104K500CT 100nF 10% 50
		C410	0CK102CK56A	0603B102K500CT 1nF 10% 50V
		C411	0CK102CK56A	0603B102K500CT 1nF 10% 50V
		C412	0CK104CK56A	0603B104K500CT 100nF 10% 50
		C413	0CK104CK56A	0603B104K500CT 100nF 10% 50
		C414	0CK104CK56A	0603B104K500CT 100nF 10% 50
		C415	0CK104CK56A	0603B104K500CT 100nF 10% 50
		C416	0CK104CK56A	0603B104K500CT 100nF 10% 50
		C417	0CK102CK56A	0603B102K500CT 1nF 10% 50V

DATE: 2006. 10. 30.				
*S	*AL	LOC. NO.	PART NO.	DESCRIPTION / SPECIFICATION
		C419	0CK104CK56A	0603B104K500CT 100nF 10% 50
		C420	0CK102CK56A	0603B102K500CT 1nF 10% 50V
		C421	0CK104CK56A	0603B104K500CT 100nF 10% 50
		C507	0CK103CK56A	0603B103K500CT 10nF 10% 50V
		C508	0CC270CK41A	C1608C0G1H270JT 27pF 5% 50V
		C509	0CC270CK41A	C1608C0G1H270JT 27pF 5% 50V
		C511	0CK103CK56A	0603B103K500CT 10nF 10% 50V
		C512	0CC101CK41A	C1608C0G1H101JT 100pF 5% 50
		C514	0CK273CK56A	0603B273K500CT 27nF 10% 50V
		C515	0CK103CK56A	0603B103K500CT 10nF 10% 50V
		C516	0CK104CK56A	0603B104K500CT 100nF 10% 50
		C517	0CK273CK56A	0603B273K500CT 27nF 10% 50V
		C518	0CK104CK56A	0603B104K500CT 100nF 10% 50
		C521	0CC271CK41A	C1608C0G1H271JT 270pF 5% 50
		C605	0CK104CK56A	0603B104K500CT 100nF 10% 50
		C606	0CK104CK56A	0603B104K500CT 100nF 10% 50
		C607	0CK104CK56A	0603B104K500CT 100nF 10% 50
		C608	0CK104CK56A	0603B104K500CT 100nF 10% 50
		C638	0CK104CK56A	0603B104K500CT 100nF 10% 50
		C643	0CK332CK56A	C1608X7R1H332KT 3.3nF 10% 5
		C645	0CK332CK56A	C1608X7R1H332KT 3.3nF 10% 5
		C649	0CK104CK56A	0603B104K500CT 100nF 10% 50
		C652	0CC560CK41A	C1608C0G1H560JT 56pF 5% 50V
		C662	0CK225DK94A	CL21F225ZBFNNNE 2.2uF -20TO
		C663	0CK104CK56A	0603B104K500CT 100nF 10% 50
		C664	0CK104CK56A	0603B104K500CT 100nF 10% 50
		C665	0CK225DK94A	CL21F225ZBFNNNE 2.2uF -20TO
		C666	0CK225DD66A	LMK212JB225MG-T 2.2uF 20% 1
		C687	0CK104CK56A	0603B104K500CT 100nF 10% 50
		C693	0CK104CK56A	0603B104K500CT 100nF 10% 50
		C694	0CK104CK56A	0603B104K500CT 100nF 10% 50
		C695	0CK104CK56A	0603B104K500CT 100nF 10% 50
		C696	0CK104CK56A	0603B104K500CT 100nF 10% 50
		C697	0CK104CK56A	0603B104K500CT 100nF 10% 50
		C704	0CK104CK56A	0603B104K500CT 100nF 10% 50
		C705	0CK104CK56A	0603B104K500CT 100nF 10% 50
		C713	0CK104CK56A	0603B104K500CT 100nF 10% 50
		C721	0CK104CK56A	0603B104K500CT 100nF 10% 50
		C726	0CK104CK56A	0603B104K500CT 100nF 10% 50
		C729	0CK104CK56A	0603B104K500CT 100nF 10% 50
		C735	0CK104CK56A	0603B104K500CT 100nF 10% 50
		C739	0CK104CK56A	0603B104K500CT 100nF 10% 50
		C749	0CK104CK56A	0603B104K500CT 100nF 10% 50
		C750	0CK225DK94A	CL21F225ZBFNNNE 2.2uF -20TO
		C753	0CK104CK56A	0603B104K500CT 100nF 10% 50
		C764	0CK106EF56A	C3216X7R1C106KT 10uF 10% 16
		C765	0CK106EF56A	C3216X7R1C106KT 10uF 10% 16
		C766	0CK106EF56A	C3216X7R1C106KT 10uF 10% 16
		C801	0CK103CK56A	0603B103K500CT 10nF 10% 50V
		C816	0CK225DK94A	CL21F225ZBFNNNE 2.2uF -20TO
		C820	0CK225DK94A	CL21F225ZBFNNNE 2.2uF -20TO
		C827	0CC471CK41A	C1608C0G1H471JT 470pF 5% 50
		C829	0CC471CK41A	C1608C0G1H471JT 470pF 5% 50
		C830	0CK103CK56A	0603B103K500CT 10nF 10% 50V
		C836	0CK104CK56A	0603B104K500CT 100nF 10% 50
		C838	0CK104CK56A	0603B104K500CT 100nF 10% 50
		C839	0CK104CK56A	0603B104K500CT 100nF 10% 50
		C840	0CK102CK56A	0603B102K500CT 1nF 10% 50V
		C842	0CK102CK56A	0603B102K500CT 1nF 10% 50V
		C845	0CK474CH94A	0603F474Z250CT 470nF -20TO+
		C848	0CK104CK56A	0603B104K500CT 100nF 10% 50
		C849	0CK474CH94A	0603F474Z250CT 470nF -20TO+

DATE: 2006. 10. 30.				
*S	*AL	LOC. NO.	PART NO.	DESCRIPTION / SPECIFICATION
		C850	0CK104CK56A	0603B104K500CT 100nF 10% 50
		C851	0CK105CF94A	0603F105Z160CT 1uF -20TO+80
		C853	0CK103CK56A	0603B103K500CT 10nF 10% 50V
		C856	0CK105CF94A	0603F105Z160CT 1uF -20TO+80
		C859	0CK105CF94A	0603F105Z160CT 1uF -20TO+80
		C862	0CK105CF94A	0603F105Z160CT 1uF -20TO+80
		C866	0CK682CK51A	C1608Y5P1H682KT 6.8nF 10% 5
		C867	0CK682CK51A	C1608Y5P1H682KT 6.8nF 10% 5
		C871	0CC270CK41A	C1608C0G1H270JT 27pF 5% 50V
		C906	0CK104CK56A	0603B104K500CT 100nF 10% 50
		C908	0CK474CH94A	0603F474Z250CT 470nF -20TO+
		C916	0CK104CK56A	0603B104K500CT 100nF 10% 50
		C919	0CK104CK56A	0603B104K500CT 100nF 10% 50
		C921	0CK103CK56A	0603B103K500CT 10nF 10% 50V
		C930	0CK104CK56A	0603B104K500CT 100nF 10% 50
		C934	0CK104CK56A	0603B104K500CT 100nF 10% 50
		C936	0CK104CK56A	0603B104K500CT 100nF 10% 50
		C937	0CK104CK56A	0603B104K500CT 100nF 10% 50
		C938	0CK104CK56A	0603B104K500CT 100nF 10% 50
		C941	0CK103CK56A	0603B103K500CT 10nF 10% 50V
		C942	0CK103CK56A	0603B103K500CT 10nF 10% 50V
		C943	0CK103CK56A	0603B103K500CT 10nF 10% 50V
		C945	0CK104CK56A	0603B104K500CT 100nF 10% 50
		C949	0CK103CK56A	0603B103K500CT 10nF 10% 50V
		C950	0CK104CK56A	0603B104K500CT 100nF 10% 50
		C957	0CK104CK56A	0603B104K500CT 100nF 10% 50
		C958	0CK104CK56A	0603B104K500CT 100nF 10% 50
		C959	0CK104CK56A	0603B104K500CT 100nF 10% 50
		C960	0CK104CK56A	0603B104K500CT 100nF 10% 50
		C961	0CK104CK56A	0603B104K500CT 100nF 10% 50
		C962	0CK104CK56A	0603B104K500CT 100nF 10% 50
		C963	0CK104CK56A	0603B104K500CT 100nF 10% 50
		C964	0CK104CK56A	0603B104K500CT 100nF 10% 50
		C965	0CK104CK56A	0603B104K500CT 100nF 10% 50
		C967	0CK103CK56A	0603B103K500CT 10nF 10% 50V
		C968	0CK103CK56A	0603B103K500CT 10nF 10% 50V
		C969	0CK103CK56A	0603B103K500CT 10nF 10% 50V
		C970	0CK103CK56A	0603B103K500CT 10nF 10% 50V
		C972	0CK103CK56A	0603B103K500CT 10nF 10% 50V
		C973	0CK103CK56A	0603B103K500CT 10nF 10% 50V
		C974	0CK103CK56A	0603B103K500CT 10nF 10% 50V
		C975	0CK103CK56A	0603B103K500CT 10nF 10% 50V
		C976	0CK103CK56A	0603B103K500CT 10nF 10% 50V
		C1059	0CK104CK56A	0603B104K500CT 100nF 10% 50
		C1063	0CK103CK56A	0603B103K500CT 10nF 10% 50V
		C172	0CK682CK51A	C1608Y5P1H682KT 6.8nF 10% 5
		C173	0CK682CK51A	C1608Y5P1H682KT 6.8nF 10% 5
		C174	0CK682CK51A	C1608Y5P1H682KT 6.8nF 10% 5
		C175	0CK682CK51A	C1608Y5P1H682KT 6.8nF 10% 5
		C332	0CK104CK56A	0603B104K500CT 100nF 10% 50
		C333	0CK104CK56A	0603B104K500CT 100nF 10% 50
		C334	0CK104CK56A	0603B104K500CT 100nF 10% 50
		C335	0CK104CK56A	0603B104K500CT 100nF 10% 50
		C336	0CK104CK56A	0603B104K500CT 100nF 10% 50
		C347	0CK104CF56A	0603B104K160CT 100nF 10% 16
		C429	0CK822CK46A	0603B822J500CT 8.2nF 10% 50
		C430	0CK823CF56A	0603B823K160CT 82nF 10% 16V
		C609	0CK104CK56A	0603B104K500CT 100nF 10% 50
		C610	0CK104CK56A	0603B104K500CT 100nF 10% 50
		C611	0CK104CK56A	0603B104K500CT 100nF 10% 50
		C612	0CK104CK56A	0603B104K500CT 100nF 10% 50
		C613	0CK104CK56A	0603B104K500CT 100nF 10% 50

DATE: 2006. 10. 30.				
*S	*AL	LOC. NO.	PART NO.	DESCRIPTION / SPECIFICATION
		C614	0CK104CK56A	0603B104K500CT 100nF 10% 50
		C615	0CK104CK56A	0603B104K500CT 100nF 10% 50
		C616	0CK104CK56A	0603B104K500CT 100nF 10% 50
		C617	0CK104CK56A	0603B104K500CT 100nF 10% 50
		C618	0CK104CK56A	0603B104K500CT 100nF 10% 50
		C619	0CK104CK56A	0603B104K500CT 100nF 10% 50
		C620	0CK104CK56A	0603B104K500CT 100nF 10% 50
		C621	0CK104CK56A	0603B104K500CT 100nF 10% 50
		C622	0CK104CK56A	0603B104K500CT 100nF 10% 50
		C623	0CK104CK56A	0603B104K500CT 100nF 10% 50
		C624	0CK104CK56A	0603B104K500CT 100nF 10% 50
		C625	0CK104CK56A	0603B104K500CT 100nF 10% 50
		C626	0CK103CK56A	0603B103K500CT 10nF 10% 50V
		C627	0CK474CH94A	0603F474Z250CT 470nF -20TO+
		C628	0CK474CH94A	0603F474Z250CT 470nF -20TO+
		C630	0CK474CH94A	0603F474Z250CT 470nF -20TO+
		C631	0CK474CH94A	0603F474Z250CT 470nF -20TO+
		C632	0CK474CH94A	0603F474Z250CT 470nF -20TO+
		C633	0CK103CK56A	0603B103K500CT 10nF 10% 50V
		C634	0CK474CH94A	0603F474Z250CT 470nF -20TO+
		C635	0CK474CH94A	0603F474Z250CT 470nF -20TO+
		C636	0CK474CH94A	0603F474Z250CT 470nF -20TO+
		C647	0CK332CK56A	C1608X7R1H332KT 3.3nF 10% 5
		C648	0CK332CK56A	C1608X7R1H332KT 3.3nF 10% 5
		C650	0CK682CK51A	C1608Y5P1H682KT 6.8nF 10% 5
		C651	0CC560CK41A	C1608C0G1H560JT 56pF 5% 50V
		C653	0CK682CK51A	C1608Y5P1H682KT 6.8nF 10% 5
		C654	0CK103CK56A	0603B103K500CT 10nF 10% 50V
		C655	0CC220CK41A	C1608C0G1H220JT 22pF 5% 50V
		C661	0CK104CK56A	0603B104K500CT 100nF 10% 50
		C673	0CC220CK41A	C1608C0G1H220JT 22pF 5% 50V
		C674	0CC220CK41A	C1608C0G1H220JT 22pF 5% 50V
		C688	0CK104CK56A	0603B104K500CT 100nF 10% 50
		C803	0CK105CF94A	0603F105Z160CT 1uF -20TO+80
		C804	0CK105CF94A	0603F105Z160CT 1uF -20TO+80
		C806	0CK105CF94A	0603F105Z160CT 1uF -20TO+80
		C807	0CK105CF94A	0603F105Z160CT 1uF -20TO+80
		C821	0CK475EF67A	C3216X5R1C475MT 4.7uF 20% 1
		C822	0CK475EF67A	C3216X5R1C475MT 4.7uF 20% 1
		C823	0CK475EF67A	C3216X5R1C475MT 4.7uF 20% 1
		C824	0CK475EF67A	C3216X5R1C475MT 4.7uF 20% 1
		C825	0CK475EF67A	C3216X5R1C475MT 4.7uF 20% 1
		C831	0CK475EF67A	C3216X5R1C475MT 4.7uF 20% 1
		C832	0CK475EF67A	C3216X5R1C475MT 4.7uF 20% 1
		C833	0CK475EF67A	C3216X5R1C475MT 4.7uF 20% 1
		C834	0CK475EF67A	C3216X5R1C475MT 4.7uF 20% 1
		C835	0CK475EF67A	C3216X5R1C475MT 4.7uF 20% 1
		C854	0CK224CF56A	0603B224K160CT 220nF 10% 16
		C855	0CK224CF56A	0603B224K160CT 220nF 10% 16
		C857	0CK105CF94A	0603F105Z160CT 1uF -20TO+80
		C858	0CK105CF94A	0603F105Z160CT 1uF -20TO+80
		C864	0CK224CF56A	0603B224K160CT 220nF 10% 16
		C865	0CK224CF56A	0603B224K160CT 220nF 10% 16
		C915	0CK474CH94A	0603F474Z250CT 470nF -20TO+
		C926	0CK104CK56A	0603B104K500CT 100nF 10% 50
		C927	0CK104CK56A	0603B104K500CT 100nF 10% 50
		C928	0CK103CK56A	0603B103K500CT 10nF 10% 50V
		C929	0CK103CK56A	0603B103K500CT 10nF 10% 50V
		C989	0CK103CK56A	0603B103K500CT 10nF 10% 50V
DIODES				
		D800	0DD184009AA	KDS184 KDS184 TP KEC - 85V

DATE: 2006. 10. 30.				
*S	*AL	LOC. NO.	PART NO.	DESCRIPTION / SPECIFICATION
		D801	0DD184009AA	KDS184 KDS184 TP KEC - 85V
		D400	0DD184009AA	KDS184 KDS184 TP KEC - 85V
		D905	0DD200009AF	RU2M 400V 1.2V 10UA 20A 400
		D906	0DD200009AF	RU2M 400V 1.2V 10UA 20A 400
		D907	0DD200009AF	RU2M 400V 1.2V 10UA 20A 400
		D1001	0DS226009AA	KDS226 1.2V 85V 300MA 2A 4N
		D1003	0DS226009AA	KDS226 1.2V 85V 300MA 2A 4N
		D101	0DS226009AA	KDS226 1.2V 85V 300MA 2A 4N
		D102	0DS226009AA	KDS226 1.2V 85V 300MA 2A 4N
		D107	0DS226009AA	KDS226 1.2V 85V 300MA 2A 4N
		D108	0DS226009AA	KDS226 1.2V 85V 300MA 2A 4N
		D109	0DS226009AA	KDS226 1.2V 85V 300MA 2A 4N
		D110	0DS226009AA	KDS226 1.2V 85V 300MA 2A 4N
		D111	0DS226009AA	KDS226 1.2V 85V 300MA 2A 4N
		D116	0DS226009AA	KDS226 1.2V 85V 300MA 2A 4N
		D121	0DS226009AA	KDS226 1.2V 85V 300MA 2A 4N
		D124	0DS226009AA	KDS226 1.2V 85V 300MA 2A 4N
		D125	0DS226009AA	KDS226 1.2V 85V 300MA 2A 4N
		D126	0DS226009AA	KDS226 1.2V 85V 300MA 2A 4N
		D127	0DS226009AA	KDS226 1.2V 85V 300MA 2A 4N
		D304	0DS226009AA	KDS226 1.2V 85V 300MA 2A 4N
		D900	0DS226009AA	KDS226 1.2V 85V 300MA 2A 4N
		D902	0DS226009AA	KDS226 1.2V 85V 300MA 2A 4N
		D903	0DS226009AA	KDS226 1.2V 85V 300MA 2A 4N
		D300	0DS226009AA	KDS226 1.2V 85V 300MA 2A 4N
		D302	0DS226009AA	KDS226 1.2V 85V 300MA 2A 4N
		D303	0DS226009AA	KDS226 1.2V 85V 300MA 2A 4N
		D129	0DRSE00038A	SDC15 1.3V 14.3VTO16.4V 21.
		ZD300	0DR050008AA	SD05.TC - 6V 14.5V 24A 350W
		ZD312	0DR050008AA	SD05.TC - 6V 14.5V 24A 350W
		ZD313	0DR050008AA	SD05.TC - 6V 14.5V 24A 350W
		ZD314	0DR050008AA	SD05.TC - 6V 14.5V 24A 350W
		ZD301	0DR050008AA	SD05.TC - 6V 14.5V 24A 350W
		ZD303	0DR050008AA	SD05.TC - 6V 14.5V 24A 350W
		ZD304	0DR050008AA	SD05.TC - 6V 14.5V 24A 350W
		ZD305	0DR050008AA	SD05.TC - 6V 14.5V 24A 350W
		ZD308	0DR050008AA	SD05.TC - 6V 14.5V 24A 350W
		ZD1000	0DZKE00048A	KDZ8.2V 8.2V 7.7TO8.7V 20OH
IC				
		IC303	0ISTL00031A	MC74HC4066ADR2G MC74HC4066A
		IC801	0IPRP00700A	TPA3100D2PHPR 10TO26V . . . 2
		IC800	0IPRP00665A	TEA6420D 8TO10.2V 8mA 0 SO
		IC602	0IFA742530B	74ACT253SC 4.5TO5.5V 0.004m
		IC802	0IPRP00743A	MAD4868A 3TO5.25V 0 0 PQFP
		IC300	0IMMRAL014D	AT24C02BN-10SU-1.8 2KBIT 25
		IC400	0IMMRAL014D	AT24C02BN-10SU-1.8 2KBIT 25
		IC603	0IMMRAL025A	AT24C32AN-10SU-2.7 32KBIT 4
		IC1001	0IPMGKE030A	KIA78R05F 6TO12V 5V 8W DPAK
		IC1008	0IPMSG018D	LD1086DT18TR-LF 30V 1.8V -
		IC900	0IMCRRH001A	BA033FP-E2 4.3TO25V 3.3V 1W
		IC902	0IPMG00027A	SC156515M-1.8TR 2.2TO5.5V 1
		IC903	0IMCRRH001A	BA033FP-E2 4.3TO25V 3.3V 1W
		IC401	0IPRP00701A	"AD9381KSTZ 3.15VTO3.47V,1.7"
		IC302	0IPRP00009A	ICL3232CBNZ 3VTO5.5V - SSOP
		IC601	0IPRP00689B	VCT6973G-FA-B3-000 1.71VTO1
		IC600	0IFA752700A	KA75270Z 2.55TO2.85V 0 200M
		IC1003	0IMCRFA010A	KA7809R 11.5TO24V 9V 150W D
COIL & CORE & INDUCTOR				
		L1004	6140VB0004B	LN-15A1 26uH AC500V 5MA 12X

DATE: 2006. 10. 30.				
*S	*AL	LOC. NO.	PART NO.	DESCRIPTION / SPECIFICATION
		L910	6140VB0004B	LN-15A1 26uH AC500V 5MA 12X
		L100	6200J00005R	HB-1M1608-501JT 500OHM 1.6X
		L1000	EAM30764101	MBW3216-501TF 500ohm 3.2X1.
		L1002	EAM30764101	MBW3216-501TF 500ohm 3.2X1.
		L1007	EAM30764101	MBW3216-501TF 500ohm 3.2X1.
		L1008	EAM30764101	MBW3216-501TF 500ohm 3.2X1.
		L101	6200J00005R	HB-1M1608-501JT 500OHM 1.6X
		L1010	EAM30764101	MBW3216-501TF 500ohm 3.2X1.
		L1011	EAM30764101	MBW3216-501TF 500ohm 3.2X1.
		L1012	EAM30764101	MBW3216-501TF 500ohm 3.2X1.
		L1015	EAM30764101	MBW3216-501TF 500ohm 3.2X1.
		L1018	EAM30764101	MBW3216-501TF 500ohm 3.2X1.
		L110	6200J00005R	HB-1M1608-501JT 500OHM 1.6X
		L111	6200J00005R	HB-1M1608-501JT 500OHM 1.6X
		L112	6200J00005F	HB-1M1608-102JT 1000OHM 1.6
		L113	6200J00005F	HB-1M1608-102JT 1000OHM 1.6
		L300	EAM30764201	BG2012B102TF 1000ohm 2.0X1.
		L301	EAM30764201	BG2012B102TF 1000ohm 2.0X1.
		L303	EAM30764101	MBW3216-501TF 500ohm 3.2X1.
		L305	EAM30764101	MBW3216-501TF 500ohm 3.2X1.
		L501	EAM30764101	MBW3216-501TF 500ohm 3.2X1.
		L502	EAM30764101	MBW3216-501TF 500ohm 3.2X1.
		L806	EAM30764101	MBW3216-501TF 500ohm 3.2X1.
		L904	EAM30764101	MBW3216-501TF 500ohm 3.2X1.
		L913	EAM30764101	MBW3216-501TF 500ohm 3.2X1.
		L914	EAM30764101	MBW3216-501TF 500ohm 3.2X1.
		L915	EAM30764101	MBW3216-501TF 500ohm 3.2X1.
		L916	EAM30764101	MBW3216-501TF 500ohm 3.2X1.
		L917	EAM30764101	MBW3216-501TF 500ohm 3.2X1.
		L918	EAM30764101	MBW3216-501TF 500ohm 3.2X1.
		L919	EAM30764101	MBW3216-501TF 500ohm 3.2X1.
		L920	EAM30764101	MBW3216-501TF 500ohm 3.2X1.
		L921	EAM30764101	MBW3216-501TF 500ohm 3.2X1.
		L923	6210TCE001P	HB-1S2012-121JT 120OHM 2X1.
		AR400	6210TCE002B	HB-4M3216-121JT 120OHM 3.2X
		AR401	6210TCE002B	HB-4M3216-121JT 120OHM 3.2X
		AR402	6210TCE002B	HB-4M3216-121JT 120OHM 3.2X
		AR403	6210TCE002B	HB-4M3216-121JT 120OHM 3.2X
		AR404	6210TCE002B	HB-4M3216-121JT 120OHM 3.2X
		AR405	6210TCE002B	HB-4M3216-121JT 120OHM 3.2X
		L1016	EAM30764101	MBW3216-501TF 500ohm 3.2X1.
		L302	EAM30764101	MBW3216-501TF 500ohm 3.2X1.
		L304	6210TCE001E	HB-1M2012-800JT 80OHM 2X1.2
		L306	6210TCE001P	HB-1S2012-121JT 120OHM 2X1.
		L307	6210TCE001P	HB-1S2012-121JT 120OHM 2X1.
		L308	6210TCE001P	HB-1S2012-121JT 120OHM 2X1.
		L309	6210TCE001P	HB-1S2012-121JT 120OHM 2X1.
		L310	6210TCE001P	HB-1S2012-121JT 120OHM 2X1.
		L400	EAM30764101	MBW3216-501TF 500ohm 3.2X1.
		L600	6200J00005R	HB-1M1608-501JT 500OHM 1.6X
		L601	6200J00005R	HB-1M1608-501JT 500OHM 1.6X
		L813	EAM30764101	MBW3216-501TF 500ohm 3.2X1.
		L814	EAM30764101	MBW3216-501TF 500ohm 3.2X1.
		L815	6210TCE001P	HB-1S2012-121JT 120OHM 2X1.
		L816	6210TCE001P	HB-1S2012-121JT 120OHM 2X1.
		L817	6210TCE001P	HB-1S2012-121JT 120OHM 2X1.
		L818	6210TCE001P	HB-1S2012-121JT 120OHM 2X1.
		L819	EAM30764101	MBW3216-501TF 500ohm 3.2X1.
		L820	EAM30764101	MBW3216-501TF 500ohm 3.2X1.
		L905	EAM30764101	MBW3216-501TF 500ohm 3.2X1.
		L906	EAM30764101	MBW3216-501TF 500ohm 3.2X1.
		L922	6210TCE001P	HB-1S2012-121JT 120OHM 2X1.

DATE: 2006. 10. 30.				
*S	*AL	LOC. NO.	PART NO.	DESCRIPTION / SPECIFICATION
		L924	EAM30764101	MBW3216-501TF 500ohm 3.2X1.
		L102	0LCML00020G	MLI-201209-3R3K 3.3UH 10% 0
		L103	0LCML00020G	MLI-201209-3R3K 3.3UH 10% 0
		L104	0LCML00020G	MLI-201209-3R3K 3.3UH 10% 0
		L105	0LCML00020G	MLI-201209-3R3K 3.3UH 10% 0
		L106	0LCML00020G	MLI-201209-3R3K 3.3UH 10% 0
		L107	0LCML00020G	MLI-201209-3R3K 3.3UH 10% 0
		L108	0LCML00020G	MLI-201209-3R3K 3.3UH 10% 0
		L109	0LCML00020G	MLI-201209-3R3K 3.3UH 10% 0
		L119	0LCML00020G	MLI-201209-3R3K 3.3UH 10% 0
		L120	0LCML00020G	MLI-201209-3R3K 3.3UH 10% 0
		L804	0LCML00020C	MLI-201212-100K 10UH 10% -
		L805	0LCML00020C	MLI-201212-100K 10UH 10% -
		L503	0LCML00020A	MLI-201209-3R3K 3.3UH 10% 0
		L801	6140VR0008A	SLF12575T-330M3R2 33UH 20%
		L802	6140VR0008A	SLF12575T-330M3R2 33UH 20%
		L808	6140VR0008A	SLF12575T-330M3R2 33UH 20%
		L809	6140VR0008A	SLF12575T-330M3R2 33UH 20%
FET & TRANSISTOR				
		Q401	0TR830009BA	BSS83 N-CHANNEL MOSFET 10V
		Q402	0TR830009BA	BSS83 N-CHANNEL MOSFET 10V
		Q508	0TR830009BA	BSS83 N-CHANNEL MOSFET 10V
		Q509	0TR830009BA	BSS83 N-CHANNEL MOSFET 10V
		IC604	0TF492509AA	SI4925DY P-CHANNEL -30V +-2
		Q100	0TR387500AA	2SC3875S(ALY) NPN 5V 60V 50
		Q101	0TR387500AA	2SC3875S(ALY) NPN 5V 60V 50
		Q102	0TR387500AA	2SC3875S(ALY) NPN 5V 60V 50
		Q103	0TR387500AA	2SC3875S(ALY) NPN 5V 60V 50
		Q105	0TR387500AA	2SC3875S(ALY) NPN 5V 60V 50
		Q106	0TR387500AA	2SC3875S(ALY) NPN 5V 60V 50
		Q110	0TR387500AA	2SC3875S(ALY) NPN 5V 60V 50
		Q300	0TR387500AA	2SC3875S(ALY) NPN 5V 60V 50
		Q400	0TR387500AA	2SC3875S(ALY) NPN 5V 60V 50
		Q502	0TR387500AA	2SC3875S(ALY) NPN 5V 60V 50
		Q503	0TR150400BA	2SA1504S(ASY) PNP -5V -50V
		Q504	0TR387500AA	2SC3875S(ALY) NPN 5V 60V 50
		Q505	0TR150400BA	2SA1504S(ASY) PNP -5V -50V
		Q506	0TR150400BA	2SA1504S(ASY) PNP -5V -50V
		Q507	0TR387500AA	2SC3875S(ALY) NPN 5V 60V 50
		Q510	0TR150400BA	2SA1504S(ASY) PNP -5V -50V
		Q511	0TR150400BA	2SA1504S(ASY) PNP -5V -50V
		Q605	0TR102009AM	KRA102S PNP -30V - -50V -0.
		Q606	0TR150400BA	2SA1504S(ASY) PNP -5V -50V
		Q607	0TR387500AA	2SC3875S(ALY) NPN 5V 60V 50
		Q608	0TR150400BA	2SA1504S(ASY) PNP -5V -50V
		Q801	0TR387500AA	2SC3875S(ALY) NPN 5V 60V 50
		Q802	0TR387500AA	2SC3875S(ALY) NPN 5V 60V 50
		Q111	0TR387500AA	2SC3875S(ALY) NPN 5V 60V 50
		Q112	0TR387500AA	2SC3875S(ALY) NPN 5V 60V 50
		Q113	0TR387500AA	2SC3875S(ALY) NPN 5V 60V 50
		Q301	0TR387500AA	2SC3875S(ALY) NPN 5V 60V 50
		Q512	0TR387500AA	2SC3875S(ALY) NPN 5V 60V 50
		Q513	0TR387500AA	2SC3875S(ALY) NPN 5V 60V 50
		Q600	0TR387500AA	2SC3875S(ALY) NPN 5V 60V 50
		Q611	0TR387500AA	2SC3875S(ALY) NPN 5V 60V 50
		Q613	0TR150400BA	2SA1504S(ASY) PNP -5V -50V
		Q901	0TR387500AA	2SC3875S(ALY) NPN 5V 60V 50
		Q902	0TR387500AA	2SC3875S(ALY) NPN 5V 60V 50
		Q903	0TR387500AA	2SC3875S(ALY) NPN 5V 60V 50
		Q904	0TR387500AA	2SC3875S(ALY) NPN 5V 60V 50

DATE: 2006. 10. 30.				
*S	*AL	LOC. NO.	PART NO.	DESCRIPTION / SPECIFICATION
			Q905	0TR387500AA 2SC3875S(ALY) NPN 5V 60V 50
			Q906	0TR387500AA 2SC3875S(ALY) NPN 5V 60V 50
			Q907	0TR387500AA 2SC3875S(ALY) NPN 5V 60V 50
			Q908	0TR387500AA 2SC3875S(ALY) NPN 5V 60V 50
RESISTORS				
			AR600	0RJ0222C687 RCA86TRJ22R0 220OHM 5% 1/16W
			AR601	0RJ0222C687 RCA86TRJ22R0 220OHM 5% 1/16W
			AR602	0RJ0222C687 RCA86TRJ22R0 220OHM 5% 1/16W
			R100	0RJ0752D677 MCR03EZPJ750 750OHM 5% 1/10W
			R1001	0RJ0752D677 MCR03EZPJ750 750OHM 5% 1/10W
			R1002	0RJ0752D677 MCR03EZPJ750 750OHM 5% 1/10W
			R101	0RJ0752D677 MCR03EZPJ750 750OHM 5% 1/10W
			R102	0RJ0000D677 MCR03EZPJ000 0OHM 5% 1/10W
			R103	0RJ0752D677 MCR03EZPJ750 750OHM 5% 1/10W
			R104	0RJ9101D677 MCR03EZPJ912 9.1KOHM 5% 1/1
			R105	0RJ0752D677 MCR03EZPJ750 750OHM 5% 1/10W
			R106	0RJ4701D677 MCR03EZPJ472 4.7KOHM 5% 1/1
			R107	0RJ0752D677 MCR03EZPJ750 750OHM 5% 1/10W
			R108	0RJ1002D677 MCR03EZPJ103 10KOHM 5% 1/10
			R109	0RJ3601D677 MCR03EZPJ362 3.6KOHM 5% 1/1
			R110	0RJ9101D677 MCR03EZPJ912 9.1KOHM 5% 1/1
			R111	0RJ0000D677 MCR03EZPJ000 0OHM 5% 1/10W
			R112	0RJ0752D677 MCR03EZPJ750 750OHM 5% 1/10W
			R113	0RJ0752D677 MCR03EZPJ750 750OHM 5% 1/10W
			R114	0RJ0000D677 MCR03EZPJ000 0OHM 5% 1/10W
			R115	0RJ0000D677 MCR03EZPJ000 0OHM 5% 1/10W
			R116	0RJ0000D677 MCR03EZPJ000 0OHM 5% 1/10W
			R117	0RJ2203D677 MCR03EZPJ224 220KOHM 5% 1/1
			R119	0RJ2203D677 MCR03EZPJ224 220KOHM 5% 1/1
			R121	0RJ2203D677 MCR03EZPJ224 220KOHM 5% 1/1
			R123	0RJ2203D677 MCR03EZPJ224 220KOHM 5% 1/1
			R125	0RJ0000D677 MCR03EZPJ000 0OHM 5% 1/10W
			R126	0RJ0000D677 MCR03EZPJ000 0OHM 5% 1/10W
			R127	0RJ0000D677 MCR03EZPJ000 0OHM 5% 1/10W
			R128	0RJ3601D677 MCR03EZPJ362 3.6KOHM 5% 1/1
			R129	0RJ2203D677 MCR03EZPJ224 220KOHM 5% 1/1
			R130	0RJ4703D677 MCR03EZPJ474 470KOHM 5% 1/1
			R131	0RJ0752D677 MCR03EZPJ750 750OHM 5% 1/10W
			R132	0RJ2203D677 MCR03EZPJ224 220KOHM 5% 1/1
			R133	0RJ4703D677 MCR03EZPJ474 470KOHM 5% 1/1
			R134	0RJ2203D677 MCR03EZPJ224 220KOHM 5% 1/1
			R135	0RJ4703D677 MCR03EZPJ474 470KOHM 5% 1/1
			R136	0RJ2203D677 MCR03EZPJ224 220KOHM 5% 1/1
			R137	0RJ4703D677 MCR03EZPJ474 470KOHM 5% 1/1
			R138	0RJ1001D677 MCR03EZPJ102 1KOHM 5% 1/10W
			R139	0RJ1001D677 MCR03EZPJ102 1KOHM 5% 1/10W
			R140	0RJ0000D677 MCR03EZPJ000 0OHM 5% 1/10W
			R141	0RJ0752D677 MCR03EZPJ750 750OHM 5% 1/10W
			R142	0RJ1001D677 MCR03EZPJ102 1KOHM 5% 1/10W
			R143	0RJ0000D677 MCR03EZPJ000 0OHM 5% 1/10W
			R144	0RJ1001D677 MCR03EZPJ102 1KOHM 5% 1/10W
			R145	0RJ1001D677 MCR03EZPJ102 1KOHM 5% 1/10W
			R146	0RJ1001D677 MCR03EZPJ102 1KOHM 5% 1/10W
			R147	0RJ1001D677 MCR03EZPJ102 1KOHM 5% 1/10W
			R148	0RJ1001D677 MCR03EZPJ102 1KOHM 5% 1/10W
			R149	0RJ2000D677 MCR03EZPJ201 200OHM 5% 1/10
			R150	0RJ0000D677 MCR03EZPJ000 0OHM 5% 1/10W
			R151	0RJ0000D677 MCR03EZPJ000 0OHM 5% 1/10W
			R152	0RJ0000D677 MCR03EZPJ000 0OHM 5% 1/10W
			R154	0RJ0000D677 MCR03EZPJ000 0OHM 5% 1/10W

DATE: 2006. 10. 30.				
*S	*AL	LOC. NO.	PART NO.	DESCRIPTION / SPECIFICATION
		R159	0RJ2001D677	MCR03EZPJ202 2KOHM 5% 1/10W
		R160	0RJ2001D677	MCR03EZPJ202 2KOHM 5% 1/10W
		R161	0RJ6801D677	MCR03EZPJ682 6.8KOHM 5% 1/1
		R162	0RJ0000D677	MCR03EZPJ000 0OHM 5% 1/10W
		R163	0RJ4701D677	MCR03EZPJ472 4.7KOHM 5% 1/1
		R164	0RJ2001D677	MCR03EZPJ202 2KOHM 5% 1/10W
		R165	0RJ0822D677	MCR03EZPJ820 82OHM 5% 1/10W
		R166	0RJ0822D677	MCR03EZPJ820 82OHM 5% 1/10W
		R167	0RJ2700D677	MCR03EZPJ271 270OHM 5% 1/10
		R168	0RJ2001D677	MCR03EZPJ202 2KOHM 5% 1/10W
		R169	0RJ2700D677	MCR03EZPJ271 270OHM 5% 1/10
		R171	0RJ0822D677	MCR03EZPJ820 82OHM 5% 1/10W
		R172	0RJ0822D677	MCR03EZPJ820 82OHM 5% 1/10W
		R179	0RJ2203D677	MCR03EZPJ224 220KOHM 5% 1/1
		R180	0RJ2203D677	MCR03EZPJ224 220KOHM 5% 1/1
		R181	0RJ0752D677	MCR03EZPJ750 75OHM 5% 1/10W
		R182	0RJ0752D677	MCR03EZPJ750 75OHM 5% 1/10W
		R183	0RJ0752D677	MCR03EZPJ750 75OHM 5% 1/10W
		R185	0RJ2203D677	MCR03EZPJ224 220KOHM 5% 1/1
		R186	0RJ1001D677	MCR03EZPJ102 1KOHM 5% 1/10W
		R187	0RJ1001D677	MCR03EZPJ102 1KOHM 5% 1/10W
		R188	0RJ0000D677	MCR03EZPJ000 0OHM 5% 1/10W
		R189	0RJ0000D677	MCR03EZPJ000 0OHM 5% 1/10W
		R190	0RJ0000D677	MCR03EZPJ000 0OHM 5% 1/10W
		R191	0RJ0752D677	MCR03EZPJ750 75OHM 5% 1/10W
		R197	0RJ2203D677	MCR03EZPJ224 220KOHM 5% 1/1
		R199	0RJ0752D677	MCR03EZPJ750 75OHM 5% 1/10W
		R200	0RJ0000D677	MCR03EZPJ000 0OHM 5% 1/10W
		R201	0RJ1002D677	MCR03EZPJ103 10KOHM 5% 1/10
		R206	0RJ1002D677	MCR03EZPJ103 10KOHM 5% 1/10
		R208	0RJ0000D677	MCR03EZPJ000 0OHM 5% 1/10W
		R209	0RJ0000D677	MCR03EZPJ000 0OHM 5% 1/10W
		R212	0RJ2203D677	MCR03EZPJ224 220KOHM 5% 1/1
		R213	0RJ2203D677	MCR03EZPJ224 220KOHM 5% 1/1
		R217	0RJ1001D677	MCR03EZPJ102 1KOHM 5% 1/10W
		R218	0RJ1001D677	MCR03EZPJ102 1KOHM 5% 1/10W
		R303	0RJ2203D677	MCR03EZPJ224 220KOHM 5% 1/1
		R304	0RJ2203D677	MCR03EZPJ224 220KOHM 5% 1/1
		R307	0RJ0752D677	MCR03EZPJ750 75OHM 5% 1/10W
		R308	0RJ1002D677	MCR03EZPJ103 10KOHM 5% 1/10
		R310	0RJ1001D677	MCR03EZPJ102 1KOHM 5% 1/10W
		R311	0RJ1001D677	MCR03EZPJ102 1KOHM 5% 1/10W
		R313	0RJ2001D677	MCR03EZPJ202 2KOHM 5% 1/10W
		R314	0RJ0000D677	MCR03EZPJ000 0OHM 5% 1/10W
		R315	0RJ1002D677	MCR03EZPJ103 10KOHM 5% 1/10
		R316	0RJ0752D677	MCR03EZPJ750 75OHM 5% 1/10W
		R317	0RJ0000D677	MCR03EZPJ000 0OHM 5% 1/10W
		R320	0RJ0752D677	MCR03EZPJ750 75OHM 5% 1/10W
		R321	0RJ4701D677	MCR03EZPJ472 4.7KOHM 5% 1/1
		R322	0RJ4701D677	MCR03EZPJ472 4.7KOHM 5% 1/1
		R323	0RJ1002D677	MCR03EZPJ103 10KOHM 5% 1/10
		R326	0RJ0000D677	MCR03EZPJ000 0OHM 5% 1/10W
		R327	0RJ0000D677	MCR03EZPJ000 0OHM 5% 1/10W
		R328	0RJ0000D677	MCR03EZPJ000 0OHM 5% 1/10W
		R329	0RJ0000D677	MCR03EZPJ000 0OHM 5% 1/10W
		R330	0RJ1001D677	MCR03EZPJ102 1KOHM 5% 1/10W
		R331	0RJ0000D677	MCR03EZPJ000 0OHM 5% 1/10W
		R332	0RJ1001D677	MCR03EZPJ102 1KOHM 5% 1/10W
		R333	0RJ0000D677	MCR03EZPJ000 0OHM 5% 1/10W
		R334	0RJ0000D677	MCR03EZPJ000 0OHM 5% 1/10W
		R335	0RJ0000D677	MCR03EZPJ000 0OHM 5% 1/10W
		R338	0RJ1000D677	MCR03EZPJ101 100OHM 5% 1/10

DATE: 2006. 10. 30.				
*S	*AL	LOC. NO.	PART NO.	DESCRIPTION / SPECIFICATION
		R339	0RJ1000D677	MCR03EZPJ101 100OHM 5% 1/10
		R344	0RJ2002D677	MCR03EZPJ203 20KOHM 5% 1/1
		R349	0RJ2202D677	MCR03EZPJ223 22KOHM 5% 1/10
		R350	0RJ2202D677	MCR03EZPJ223 22KOHM 5% 1/10
		R351	0RJ0000D677	MCR03EZPJ000 0OHM 5% 1/10W
		R352	0RJ1000D677	MCR03EZPJ101 100OHM 5% 1/10
		R355	0RJ4700D677	MCR03EZPJ471 470OHM 5% 1/10
		R358	0RJ0000D677	MCR03EZPJ000 0OHM 5% 1/10W
		R360	0RJ0000D677	MCR03EZPJ000 0OHM 5% 1/10W
		R402	0RJ1002D677	MCR03EZPJ103 10KOHM 5% 1/10
		R404	0RJ1001D677	MCR03EZPJ102 1KOHM 5% 1/10W
		R405	0RJ1001D677	MCR03EZPJ102 1KOHM 5% 1/10W
		R417	0RJ4702D677	MCR03EZPJ473 47KOHM 5% 1/10
		R418	0RJ4702D677	MCR03EZPJ473 47KOHM 5% 1/10
		R423	0RJ1002D677	MCR03EZPJ103 10KOHM 5% 1/10
		R424	0RJ1002D677	MCR03EZPJ103 10KOHM 5% 1/10
		R502	0RJ1002D677	MCR03EZPJ103 10KOHM 5% 1/10
		R503	0RJ0222D677	MCR03EZPJ220 22OHM 5% 1/10W
		R506	0RJ1001D677	MCR03EZPJ102 1KOHM 5% 1/10W
		R507	0RJ0000D677	MCR03EZPJ000 0OHM 5% 1/10W
		R508	0RJ2200D677	MCR03EZPJ221 220OHM 5% 1/10
		R509	0RJ2200D677	MCR03EZPJ221 220OHM 5% 1/10
		R510	0RJ4701D677	MCR03EZPJ472 4.7KOHM 5% 1/1
		R511	0RJ4700D677	MCR03EZPJ471 470OHM 5% 1/10
		R512	0RJ0822D677	MCR03EZPJ820 82OHM 5% 1/10W
		R513	0RJ0000D677	MCR03EZPJ000 0OHM 5% 1/10W
		R514	0RJ0000D677	MCR03EZPJ000 0OHM 5% 1/10W
		R515	0RJ1000D677	MCR03EZPJ101 100OHM 5% 1/10
		R516	0RJ1001D677	MCR03EZPJ102 1KOHM 5% 1/10W
		R517	0RJ4701D677	MCR03EZPJ472 4.7KOHM 5% 1/1
		R518	0RJ2000D677	MCR03EZPJ201 200OHM 5% 1/10
		R521	0RJ1001D677	MCR03EZPJ102 1KOHM 5% 1/10W
		R522	0RJ1500D677	MCR03EZPJ151 150OHM 5% 1/10
		R524	0RJ1001D677	MCR03EZPJ102 1KOHM 5% 1/10W
		R527	0RJ1001D677	MCR03EZPJ102 1KOHM 5% 1/10W
		R529	0RJ1000D677	MCR03EZPJ101 100OHM 5% 1/10
		R530	0RJ0472D677	MCR03EZPJ470 470OHM 5% 1/10W
		R531	0RJ1000D677	MCR03EZPJ101 100OHM 5% 1/10
		R540	0RJ7501D677	MCR03EZPJ752 7.5KOHM 5% 1/1
		R603	0RJ1000D677	MCR03EZPJ101 100OHM 5% 1/10
		R641	0RJ0000D677	MCR03EZPJ000 0OHM 5% 1/10W
		R646	0RJ0000D677	MCR03EZPJ000 0OHM 5% 1/10W
		R656	0RJ1000D677	MCR03EZPJ101 100OHM 5% 1/10
		R673	0RJ6201D677	MCR03EZPJ622 6.2KOHM 5% 1/1
		R736	0RJ1000D677	MCR03EZPJ101 100OHM 5% 1/10
		R747	0RJ1000D677	MCR03EZPJ101 100OHM 5% 1/10
		R748	0RJ1000D677	MCR03EZPJ101 100OHM 5% 1/10
		R749	0RJ1000D677	MCR03EZPJ101 100OHM 5% 1/10
		R762	0RJ1001D677	MCR03EZPJ102 1KOHM 5% 1/10W
		R763	0RJ1001D677	MCR03EZPJ102 1KOHM 5% 1/10W
		R764	0RJ1001D677	MCR03EZPJ102 1KOHM 5% 1/10W
		R765	0RJ1001D677	MCR03EZPJ102 1KOHM 5% 1/10W
		R766	0RJ1001D677	MCR03EZPJ102 1KOHM 5% 1/10W
		R767	0RJ1001D677	MCR03EZPJ102 1KOHM 5% 1/10W
		R768	0RJ1001D677	MCR03EZPJ102 1KOHM 5% 1/10W
		R769	0RJ1001D677	MCR03EZPJ102 1KOHM 5% 1/10W
		R771	0RJ2200D677	MCR03EZPJ221 220OHM 5% 1/10
		R781	0RJ3001D677	MCR03EZPJ302 3KOHM 5% 1/10W
		R782	0RJ3001D677	MCR03EZPJ302 3KOHM 5% 1/10W
		R783	0RJ0000D677	MCR03EZPJ000 0OHM 5% 1/10W
		R784	0RJ0000D677	MCR03EZPJ000 0OHM 5% 1/10W
		R800	0RJ1000D477	MCR03EZPF101 100OHM 1% 1/10

DATE: 2006. 10. 30.				
*S	*AL	LOC. NO.	PART NO.	DESCRIPTION / SPECIFICATION
		R801	0RJ1000D477	MCR03EZPF101 100OHM 1% 1/10
		R802	0RJ1000D477	MCR03EZPF101 100OHM 1% 1/10
		R803	0RJ1000D477	MCR03EZPF101 100OHM 1% 1/10
		R804	0RJ1000D477	MCR03EZPF101 100OHM 1% 1/10
		R805	0RJ1000D477	MCR03EZPF101 100OHM 1% 1/10
		R806	0RJ1000D477	MCR03EZPF101 100OHM 1% 1/10
		R807	0RJ1000D477	MCR03EZPF101 100OHM 1% 1/10
		R808	0RJ1000D477	MCR03EZPF101 100OHM 1% 1/10
		R809	0RJ1000D477	MCR03EZPF101 100OHM 1% 1/10
		R810	0RJ1000D477	MCR03EZPF101 100OHM 1% 1/10
		R811	0RJ1000D477	MCR03EZPF101 100OHM 1% 1/10
		R812	0RJ1000D477	MCR03EZPF101 100OHM 1% 1/10
		R813	0RJ1000D477	MCR03EZPF101 100OHM 1% 1/10
		R816	0RJ1000D677	MCR03EZPJ101 100OHM 5% 1/10
		R822	0RJ2001D677	MCR03EZPJ202 2KOHM 5% 1/10W
		R823	0RJ2001D677	MCR03EZPJ202 2KOHM 5% 1/10W
		R828	0RJ4703D677	MCR03EZPJ474 470KOHM 5% 1/1
		R829	0RJ4703D677	MCR03EZPJ474 470KOHM 5% 1/1
		R833	0RJ0000D677	MCR03EZPJ000 0OHM 5% 1/10W
		R834	0RJ0000D677	MCR03EZPJ000 0OHM 5% 1/10W
		R838	0RJ2001D677	MCR03EZPJ202 2KOHM 5% 1/10W
		R839	0RJ2001D677	MCR03EZPJ202 2KOHM 5% 1/10W
		R843	0RJ1002D677	MCR03EZPJ103 10KOHM 5% 1/10
		R844	0RJ1002D677	MCR03EZPJ103 10KOHM 5% 1/10
		R847	0RJ1003D677	MCR03EZPJ104 100KOHM 5% 1/1
		R848	0RJ1000D677	MCR03EZPJ101 100OHM 5% 1/10
		R849	0RJ1001D677	MCR03EZPJ102 1KOHM 5% 1/10W
		R850	0RJ1001D677	MCR03EZPJ102 1KOHM 5% 1/10W
		R851	0RJ4701D677	MCR03EZPJ472 4.7KOHM 5% 1/1
		R852	0RJ4701D677	MCR03EZPJ472 4.7KOHM 5% 1/1
		R856	0RJ0000D677	MCR03EZPJ000 0OHM 5% 1/10W
		R857	0RJ0000D677	MCR03EZPJ000 0OHM 5% 1/10W
		R861	0RJ0000D677	MCR03EZPJ000 0OHM 5% 1/10W
		R865	0RJ0000D677	MCR03EZPJ000 0OHM 5% 1/10W
		R866	0RJ0000D677	MCR03EZPJ000 0OHM 5% 1/10W
		R867	0RJ0000D677	MCR03EZPJ000 0OHM 5% 1/10W
		R868	0RJ0000D677	MCR03EZPJ000 0OHM 5% 1/10W
		R872	0RJ0000D677	MCR03EZPJ000 0OHM 5% 1/10W
		R876	0RJ0000D677	MCR03EZPJ000 0OHM 5% 1/10W
		R900	0RJ1002D677	MCR03EZPJ103 10KOHM 5% 1/10
		R902	0RJ1001D677	MCR03EZPJ102 1KOHM 5% 1/10W
		R909	0RJ1001D677	MCR03EZPJ102 1KOHM 5% 1/10W
		R910	0RJ1001D677	MCR03EZPJ102 1KOHM 5% 1/10W
		R916	0RJ1002D677	MCR03EZPJ103 10KOHM 5% 1/10
		R918	0RJ1002D677	MCR03EZPJ103 10KOHM 5% 1/10
		R919	0RJ1002D677	MCR03EZPJ103 10KOHM 5% 1/10
		R922	0RJ1102D677	MCR03EZPJ113 11KOHM 5% 1/10
		R923	0RJ2002D677	MCR03EZPJ203. 20KOHM 5% 1/1
		R926	0RJ1001D677	MCR03EZPJ102 1KOHM 5% 1/10W
		R927	0RJ1002D677	MCR03EZPJ103 10KOHM 5% 1/10
		R933	0RH0000D622	MCR10EZHZJ000 0OHM 5% 1/8W 2
		R934	0RH0000D622	MCR10EZHZJ000 0OHM 5% 1/8W 2
		R935	0RH0000D622	MCR10EZHZJ000 0OHM 5% 1/8W 2
		R937	0RJ0000D677	MCR03EZPJ000 0OHM 5% 1/10W
		R938	0RJ0000D677	MCR03EZPJ000 0OHM 5% 1/10W
		C644	0RJ0000D677	MCR03EZPJ000 0OHM 5% 1/10W
		C646	0RJ0000D677	MCR03EZPJ000 0OHM 5% 1/10W
		R1000	0RJ1201D677	MCR03EZPJ122 1.2KOHM 5% 1/1
		R1003	0RJ1002D677	MCR03EZPJ103 10KOHM 5% 1/10
		R1008	0RJ0000D677	MCR03EZPJ000 0OHM 5% 1/10W
		R1010	0RJ0000D677	MCR03EZPJ000 0OHM 5% 1/10W
		R222	0RJ1001D677	MCR03EZPJ102 1KOHM 5% 1/10W

DATE: 2006. 10. 30.				
*S	*AL	LOC. NO.	PART NO.	DESCRIPTION / SPECIFICATION
		R223	0RJ1001D677	MCR03EZPJ102 1KOHM 5% 1/10W
		R224	0RJ1001D677	MCR03EZPJ102 1KOHM 5% 1/10W
		R225	0RJ1001D677	MCR03EZPJ102 1KOHM 5% 1/10W
		R226	0RJ4701D677	MCR03EZPJ472 4.7KOHM 5% 1/1
		R227	0RJ4701D677	MCR03EZPJ472 4.7KOHM 5% 1/1
		R228	0RJ4701D677	MCR03EZPJ472 4.7KOHM 5% 1/1
		R229	0RJ4701D677	MCR03EZPJ472 4.7KOHM 5% 1/1
		R300	0RJ0000D677	MCR03EZPJ000 0OHM 5% 1/10W
		R301	0RJ0000D677	MCR03EZPJ000 0OHM 5% 1/10W
		R302	0RJ0000D677	MCR03EZPJ000 0OHM 5% 1/10W
		R306	0RJ1001D677	MCR03EZPJ102 1KOHM 5% 1/10W
		R318	0RJ1000D677	MCR03EZPJ101 100OHM 5% 1/10
		R319	0RJ1000D677	MCR03EZPJ101 100OHM 5% 1/10
		R343	0RJ2002D677	MCR03EZPJ203. 20KOHM 5% 1/1
		R345	0RJ1000D677	MCR03EZPJ101 100OHM 5% 1/10
		R346	0RJ1000D677	MCR03EZPJ101 100OHM 5% 1/10
		R347	0RJ3001D677	MCR03EZPJ302 3KOHM 5% 1/10W
		R348	0RJ3001D677	MCR03EZPJ302 3KOHM 5% 1/10W
		R361	0RJ1000D677	MCR03EZPJ101 100OHM 5% 1/10
		R362	0RJ1000D677	MCR03EZPJ101 100OHM 5% 1/10
		R367	0RJ1000D677	MCR03EZPJ101 100OHM 5% 1/10
		R380	0RJ0000D677	MCR03EZPJ000 0OHM 5% 1/10W
		R381	0RJ0000D677	MCR03EZPJ000 0OHM 5% 1/10W
		R382	0RJ0000D677	MCR03EZPJ000 0OHM 5% 1/10W
		R383	0RJ0000D677	MCR03EZPJ000 0OHM 5% 1/10W
		R384	0RJ4701D677	MCR03EZPJ472 4.7KOHM 5% 1/1
		R386	0RJ0000D677	MCR03EZPJ000 0OHM 5% 1/10W
		R387	0RJ0000D677	MCR03EZPJ000 0OHM 5% 1/10W
		R388	0RJ0000D677	MCR03EZPJ000 0OHM 5% 1/10W
		R401	0RJ0000D677	MCR03EZPJ000 0OHM 5% 1/10W
		R406	0RJ1000D677	MCR03EZPJ101 100OHM 5% 1/10
		R407	0RJ1000D677	MCR03EZPJ101 100OHM 5% 1/10
		R421	0RJ1000D677	MCR03EZPJ101 100OHM 5% 1/10
		R422	0RJ1000D677	MCR03EZPJ101 100OHM 5% 1/10
		R425	0RJ4990D477	MCR03EZPF4990 4990OHM 1% 1/1
		R426	0RJ0222D677	MCR03EZPJ220 22OHM 5% 1/10W
		R427	0RJ0222D677	MCR03EZPJ220 22OHM 5% 1/10W
		R428	0RJ0222D677	MCR03EZPJ220 22OHM 5% 1/10W
		R433	0RJ1000D677	MCR03EZPJ101 100OHM 5% 1/10
		R434	0RJ1000D677	MCR03EZPJ101 100OHM 5% 1/10
		R435	0RJ0222D677	MCR03EZPJ220 22OHM 5% 1/10W
		R436	0RJ0222D677	MCR03EZPJ220 22OHM 5% 1/10W
		R437	0RJ0222D677	MCR03EZPJ220 22OHM 5% 1/10W
		R438	0RJ0222D677	MCR03EZPJ220 22OHM 5% 1/10W
		R441	0RJ1002D677	MCR03EZPJ103 10KOHM 5% 1/10
		R442	0RJ1002D677	MCR03EZPJ103 10KOHM 5% 1/10
		R451	0RJ1501D677	MCR03EZPJ152 1.5KOHM 5% 1/1
		R519	0RJ2700D677	MCR03EZPJ271 270OHM 5% 1/10
		R520	0RJ2200D677	MCR03EZPJ221 220OHM 5% 1/10
		R534	0RJ1001D677	MCR03EZPJ102 1KOHM 5% 1/10W
		R535	0RJ4702D677	MCR03EZPJ473 47KOHM 5% 1/10
		R536	0RJ1001D677	MCR03EZPJ102 1KOHM 5% 1/10W
		R600	0RJ0000D677	MCR03EZPJ000 0OHM 5% 1/10W
		R601	0RJ1000D677	MCR03EZPJ101 100OHM 5% 1/10
		R604	0RJ1001D677	MCR03EZPJ102 1KOHM 5% 1/10W
		R607	0RJ1002D677	MCR03EZPJ103 10KOHM 5% 1/10
		R620	0RJ1000D677	MCR03EZPJ101 100OHM 5% 1/10
		R621	0RJ0000D677	MCR03EZPJ000 0OHM 5% 1/10W
		R622	0RJ0000D677	MCR03EZPJ000 0OHM 5% 1/10W
		R623	0RJ0000D677	MCR03EZPJ000 0OHM 5% 1/10W
		R624	0RJ0000D677	MCR03EZPJ000 0OHM 5% 1/10W
		R627	0RJ0000D677	MCR03EZPJ000 0OHM 5% 1/10W

DATE: 2006. 10. 30.				
*S	*AL	LOC. NO.	PART NO.	DESCRIPTION / SPECIFICATION
		R628	0RJ0000D677	MCR03EZPJ000 0OHM 5% 1/10W
		R629	0RJ1500D677	MCR03EZPJ151 150OHM 5% 1/10
		R630	0RJ4700D677	MCR03EZPJ471 470OHM 5% 1/10
		R631	0RJ1500D677	MCR03EZPJ151 150OHM 5% 1/10
		R632	0RJ1802D677	MCR03EZPJ183 18KOHM 5% 1/10
		R633	0RJ1000D677	MCR03EZPJ101 100OHM 5% 1/10
		R634	0RJ1000D677	MCR03EZPJ101 100OHM 5% 1/10
		R635	0RJ1000D677	MCR03EZPJ101 100OHM 5% 1/10
		R636	0RJ1000D677	MCR03EZPJ101 100OHM 5% 1/10
		R637	0RJ1000D677	MCR03EZPJ101 100OHM 5% 1/10
		R638	0RJ1001D677	MCR03EZPJ102 1KOHM 5% 1/10W
		R639	0RJ0000D677	MCR03EZPJ000 0OHM 5% 1/10W
		R640	0RJ1000D677	MCR03EZPJ101 100OHM 5% 1/10
		R645	0RJ1000D677	MCR03EZPJ101 100OHM 5% 1/10
		R647	0RJ1002D677	MCR03EZPJ103 10KOHM 5% 1/10
		R648	0RJ1002D677	MCR03EZPJ103 10KOHM 5% 1/10
		R649	0RJ1002D677	MCR03EZPJ103 10KOHM 5% 1/10
		R650	0RJ1002D677	MCR03EZPJ103 10KOHM 5% 1/10
		R651	0RJ1002D677	MCR03EZPJ103 10KOHM 5% 1/10
		R652	0RJ1002D677	MCR03EZPJ103 10KOHM 5% 1/10
		R653	0RJ1000D677	MCR03EZPJ101 100OHM 5% 1/10
		R654	0RJ1000D677	MCR03EZPJ101 100OHM 5% 1/10
		R660	0RJ8201D677	MCR03EZPJ822 8.2KOHM 5% 1/1
		R662	0RJ1002D677	MCR03EZPJ103 10KOHM 5% 1/10
		R663	0RJ1002D677	MCR03EZPJ103 10KOHM 5% 1/10
		R666	0RJ4701D677	MCR03EZPJ472 4.7KOHM 5% 1/1
		R667	0RJ1000D677	MCR03EZPJ101 100OHM 5% 1/10
		R668	0RJ1000D677	MCR03EZPJ101 100OHM 5% 1/10
		R670	0RJ1000D677	MCR03EZPJ101 100OHM 5% 1/10
		R671	0RJ4701D677	MCR03EZPJ472 4.7KOHM 5% 1/1
		R672	0RJ1000D677	MCR03EZPJ101 100OHM 5% 1/10
		R675	0RJ1000D677	MCR03EZPJ101 100OHM 5% 1/10
		R676	0RJ1000D677	MCR03EZPJ101 100OHM 5% 1/10
		R677	0RJ1000D677	MCR03EZPJ101 100OHM 5% 1/10
		R678	0RJ1000D677	MCR03EZPJ101 100OHM 5% 1/10
		R679	0RJ1000D677	MCR03EZPJ101 100OHM 5% 1/10
		R680	0RJ1000D677	MCR03EZPJ101 100OHM 5% 1/10
		R681	0RJ2001D677	MCR03EZPJ202 2KOHM 5% 1/10W
		R686	0RJ1000D677	MCR03EZPJ101 100OHM 5% 1/10
		R687	0RJ1000D677	MCR03EZPJ101 100OHM 5% 1/10
		R689	0RJ2200D677	MCR03EZPJ221 220OHM 5% 1/10
		R690	0RJ1000D677	MCR03EZPJ101 100OHM 5% 1/10
		R691	0RJ2200D677	MCR03EZPJ221 220OHM 5% 1/10
		R692	0RJ1000D677	MCR03EZPJ101 100OHM 5% 1/10
		R693	0RJ2200D677	MCR03EZPJ221 220OHM 5% 1/10
		R694	0RJ1000D677	MCR03EZPJ101 100OHM 5% 1/10
		R695	0RJ0222D677	MCR03EZPJ220 220OHM 5% 1/10W
		R697	0RJ2001D677	MCR03EZPJ202 2KOHM 5% 1/10W
		R699	0RJ1000D677	MCR03EZPJ101 100OHM 5% 1/10
		R700	0RJ1000D677	MCR03EZPJ101 100OHM 5% 1/10
		R702	0RJ1000D677	MCR03EZPJ101 100OHM 5% 1/10
		R703	0RJ1000D677	MCR03EZPJ101 100OHM 5% 1/10
		R704	0RJ6202D677	MCR03EZPJ623 62KOHM 5% 1/10
		R705	0RJ2402D677	MCR03EZPJ243 24KOHM 5% 1/10
		R708	0RJ1501D677	MCR03EZPJ152 1.5KOHM 5% 1/1
		R709	0RJ4700D677	MCR03EZPJ471 470OHM 5% 1/10
		R711	0RJ0222D677	MCR03EZPJ220 220OHM 5% 1/10W
		R712	0RJ0222D677	MCR03EZPJ220 220OHM 5% 1/10W
		R713	0RJ0222D677	MCR03EZPJ220 220OHM 5% 1/10W
		R714	0RJ2200D677	MCR03EZPJ221 220OHM 5% 1/10
		R715	0RJ2200D677	MCR03EZPJ221 220OHM 5% 1/10
		R718	0RJ4701D677	MCR03EZPJ472 4.7KOHM 5% 1/1

DATE: 2006. 10. 30.					
*S	*AL	LOC. NO.	PART NO.	DESCRIPTION / SPECIFICATION	
		R721	0RJ4701D677	MCR03EZPJ472 4.7KOHM 5% 1/1	
		R728	0RJ1000D677	MCR03EZPJ101 100OHM 5% 1/10	
		R729	0RJ1000D677	MCR03EZPJ101 100OHM 5% 1/10	
		R730	0RJ1000D677	MCR03EZPJ101 100OHM 5% 1/10	
		R732	0RJ1000D677	MCR03EZPJ101 100OHM 5% 1/10	
		R733	0RJ1000D677	MCR03EZPJ101 100OHM 5% 1/10	
		R734	0RJ1000D677	MCR03EZPJ101 100OHM 5% 1/10	
		R735	0RJ0000D677	MCR03EZPJ000 0OHM 5% 1/10W	
		R737	0RJ1000D677	MCR03EZPJ101 100OHM 5% 1/10	
		R738	0RJ0000D677	MCR03EZPJ000 0OHM 5% 1/10W	
		R742	0RJ6201D677	MCR03EZPJ622 6.2KOHM 5% 1/1	
		R744	0RJ1001D677	MCR03EZPJ102 1KOHM 5% 1/10W	
		R750	0RJ0000D677	MCR03EZPJ000 0OHM 5% 1/10W	
		R751	0RJ1000D677	MCR03EZPJ101 100OHM 5% 1/10	
		R752	0RJ1000D677	MCR03EZPJ101 100OHM 5% 1/10	
		R753	0RJ1000D677	MCR03EZPJ101 100OHM 5% 1/10	
		R756	0RJ1000D677	MCR03EZPJ101 100OHM 5% 1/10	
		R757	0RJ1000D677	MCR03EZPJ101 100OHM 5% 1/10	
		R758	0RJ1001D677	MCR03EZPJ102 1KOHM 5% 1/10W	
		R759	0RJ1001D677	MCR03EZPJ102 1KOHM 5% 1/10W	
		R760	0RJ1001D677	MCR03EZPJ102 1KOHM 5% 1/10W	
		R761	0RJ1001D677	MCR03EZPJ102 1KOHM 5% 1/10W	
		R772	0RJ2200D677	MCR03EZPJ221 220OHM 5% 1/10	
		R773	0RJ0000D677	MCR03EZPJ000 0OHM 5% 1/10W	
		R774	0RJ0000D677	MCR03EZPJ000 0OHM 5% 1/10W	
		R775	0RJ0000D677	MCR03EZPJ000 0OHM 5% 1/10W	
		R777	0RJ0000D677	MCR03EZPJ000 0OHM 5% 1/10W	
		R779	0RJ0000D677	MCR03EZPJ000 0OHM 5% 1/10W	
		R780	0RJ0000D677	MCR03EZPJ000 0OHM 5% 1/10W	
		R785	0RJ0000D677	MCR03EZPJ000 0OHM 5% 1/10W	
		R855	0RJ0000D677	MCR03EZPJ000 0OHM 5% 1/10W	
		R858	0RJ0000D677	MCR03EZPJ000 0OHM 5% 1/10W	
		R862	0RJ0000D677	MCR03EZPJ000 0OHM 5% 1/10W	
		R863	0RJ0000D677	MCR03EZPJ000 0OHM 5% 1/10W	
		R864	0RJ0000D677	MCR03EZPJ000 0OHM 5% 1/10W	
		R869	0RJ0000D677	MCR03EZPJ000 0OHM 5% 1/10W	
		R870	0RJ0000D677	MCR03EZPJ000 0OHM 5% 1/10W	
		R871	0RJ0000D677	MCR03EZPJ000 0OHM 5% 1/10W	
		R873	0RJ1002D677	MCR03EZPJ103 10KOHM 5% 1/10	
		R874	0RJ0000D677	MCR03EZPJ000 0OHM 5% 1/10W	
		R875	0RJ0000D677	MCR03EZPJ000 0OHM 5% 1/10W	
		R903	0RJ4701D677	MCR03EZPJ472 4.7KOHM 5% 1/1	
		R904	0RJ0000D677	MCR03EZPJ000 0OHM 5% 1/10W	
		R905	0RJ2000D677	MCR03EZPJ201 200OHM 5% 1/10	
		R906	0RJ0000D677	MCR03EZPJ000 0OHM 5% 1/10W	
		R912	0RJ1002D677	MCR03EZPJ103 10KOHM 5% 1/10	
		R913	0RJ1002D677	MCR03EZPJ103 10KOHM 5% 1/10	
		R921	0RJ1002D677	MCR03EZPJ103 10KOHM 5% 1/10	
		R924	0RJ4701D677	MCR03EZPJ472 4.7KOHM 5% 1/1	
		R925	0RJ0000D677	MCR03EZPJ000 0OHM 5% 1/10W	
		R928	0RJ1002D677	MCR03EZPJ103 10KOHM 5% 1/10	
		R929	0RJ1002D677	MCR03EZPJ103 10KOHM 5% 1/10	
		R931	0RJ0000D677	MCR03EZPJ000 0OHM 5% 1/10W	
OTHERS					
			X600	6202VDT002P	HC-49/SM 20.25000MHZ 20.25M
			D1004	0DL233309AC	SAM2333 RED/Y-GREEN 2.7V 2.
			D750	0DL233309AC	SAM2333 RED/Y-GREEN 2.7V 2.
			TU1	6700MF0017C	TAFV-W303P PAL - - - 750HM

DATE: 2006. 10. 30.				
*S	*AL	LOC. NO.	PART NO.	DESCRIPTION / SPECIFICATION
CONTROL BOARD				
		SW101	140-313B	KPT-1115AM 1C1P 12VDC 0.05A
		SW102	140-313B	KPT-1115AM 1C1P 12VDC 0.05A
		SW103	140-313B	KPT-1115AM 1C1P 12VDC 0.05A
		SW104	140-313B	KPT-1115AM 1C1P 12VDC 0.05A
		SW105	140-313B	KPT-1115AM 1C1P 12VDC 0.05A
		SW106	140-313B	KPT-1115AM 1C1P 12VDC 0.05A
		SW107	140-313B	KPT-1115AM 1C1P 12VDC 0.05A
		SW108	140-313B	KPT-1115AM 1C1P 12VDC 0.05A
		R101	0RH9101D622	MCR10EZHJ912 9.1KOHM 5% 1/8
		R102	0RH3301D622	MCR10EZHJ332 3.3KOHM 5% 1/8
		R103	0RH1101D622	MCR10EZHJ112 1.1KOHM 5% 1/8
		R104	0RH0000D622	MCR10EZHJ000 0OHM 5% 1/8W 2
		R105	0RH9101D622	MCR10EZHJ912 9.1KOHM 5% 1/8
		R106	0RH3301D622	MCR10EZHJ332 3.3KOHM 5% 1/8
		R107	0RH1101D622	MCR10EZHJ112 1.1KOHM 5% 1/8
		R108	0RH0000D622	MCR10EZHJ000 0OHM 5% 1/8W 2
PREAMP&LED BOARD				
		D200	0DLAU0410AA	SAW5670 ROUND 5mM AMBER/WHI
		IC201	6712000013A	TSOP4438SO1 4.5TO5.5V 1.5MA
		C200	0CH5101K416	C2012COG1H101JT 100pF 5% 50
		C201	0CH5330K416	C2012COG1H330JT 33pF 5% 50V
		C202	0CE476VF6DC	VG476M016S0ANE010 47uF 20%
		C203	0CE476VF6DC	VG476M016S0ANE010 47uF 20%
		C204	0CE476VF6DC	VG476M016S0ANE010 47uF 20%
		L200	0LC1032101A	FI-C3216-103KJT 10UH 10% -
		Q200	0TR387500AA	2SC3875S(ALY) NPN 5V 60V 50
		Q201	0TR387500AA	2SC3875S(ALY) NPN 5V 60V 50
		Q202	0TR387500AA	2SC3875S(ALY) NPN 5V 60V 50
		R200	0RH0000D622	MCR10EZHJ000 0OHM 5% 1/8W 2
		R201	0RH0000D622	MCR10EZHJ000 0OHM 5% 1/8W 2
		R202	0RH6800D622	MCR10EZHJ681 680OHM 5% 1/8W
		R203	0RH0000D622	MCR10EZHJ000 0OHM 5% 1/8W 2
		R204	0RH6801D622	MCR10EZHJ682 6.8KOHM 5% 1/8
		R205	0RH0000D622	MCR10EZHJ000 0OHM 5% 1/8W 2
		R206	0RH0000D622	MCR10EZHJ000 0OHM 5% 1/8W 2
		R207	0RH0000D622	MCR10EZHJ000 0OHM 5% 1/8W 2
		R208	0RH3901D622	MCR10EZHJ392 3.9KOHM 5% 1/8
SIDE AV BOARD				
		C300	0CH5101K416	C2012COG1H101JT 100pF 5% 50
		C301	0CH5101K416	C2012COG1H101JT 100pF 5% 50
		R300	0RH2203D622	MCR10EZHJ224 220KOHM 5% 1/8
		R301	0RH2203D622	MCR10EZHJ224 220KOHM 5% 1/8
		R302	0RH0752D622	MCR10EZHJ750 750OHM 5% 1/8W
		R303	0RH4700D622	MCR10EZHJ471 470OHM 5% 1/8W
		R304	0RH4700D622	MCR10EZHJ471 470OHM 5% 1/8W
		R305	0RH0000D622	MCR10EZHJ000 0OHM 5% 1/8W 2