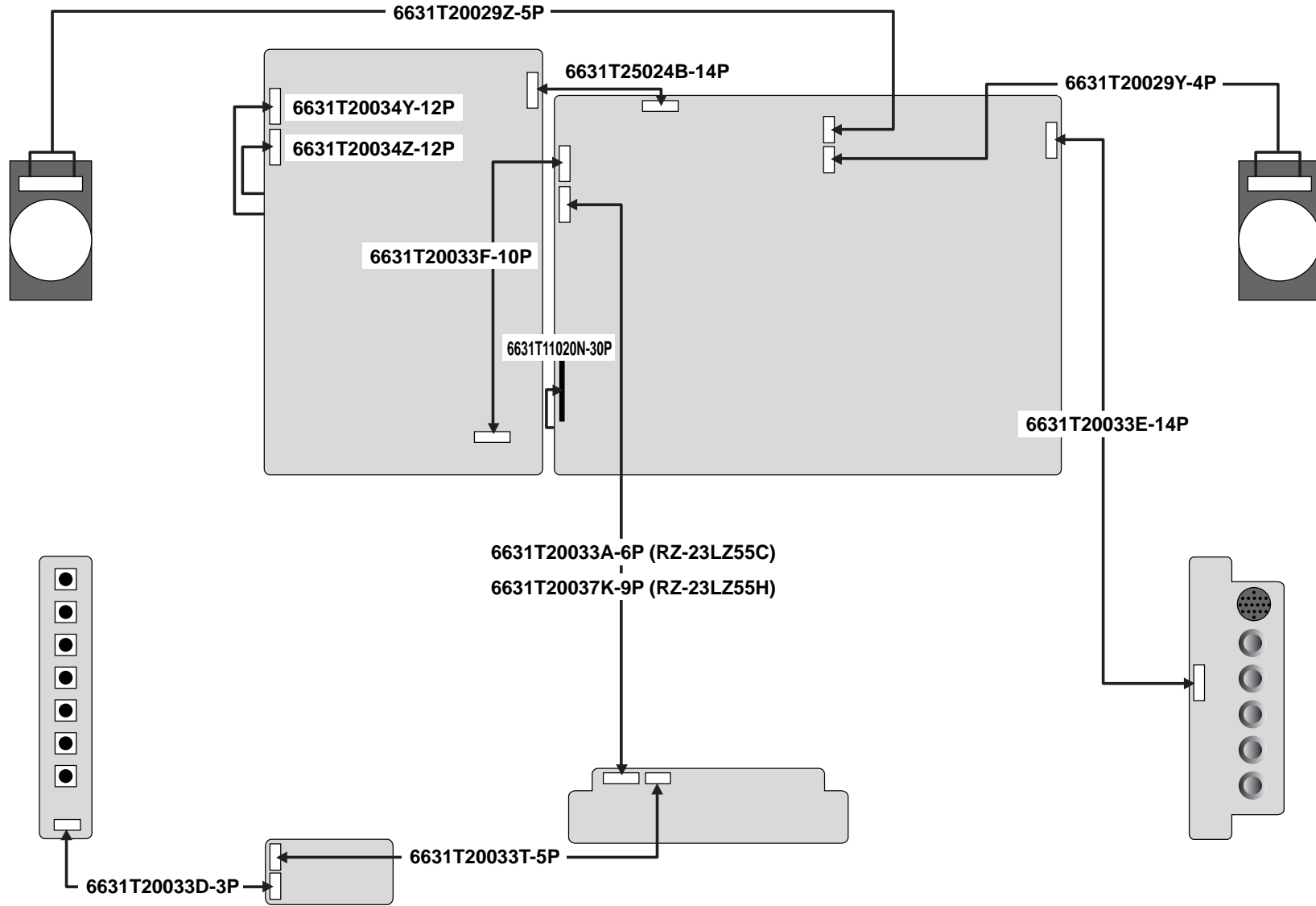
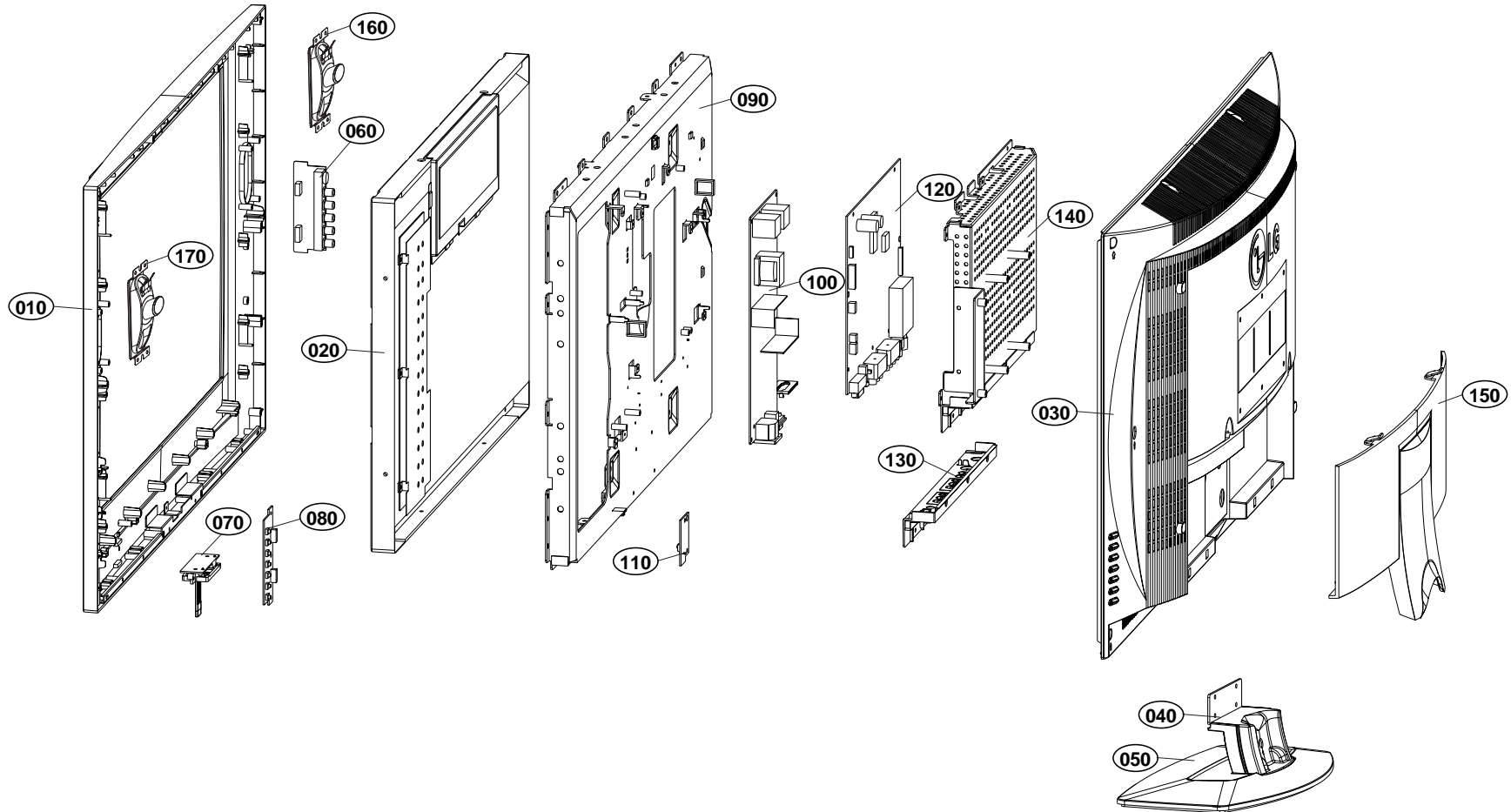


# WIRING DIAGRAM



# EXPLODED VIEW



## EXPLODED VIEW PARTS LIST

No.	PART NO.	DESCRIPTION
010	3091TKE026K	CABINET ASSEMBLY, RZ-23LZ55 BRAND 3090TKE016 EU, C/SKD- <b>23HIZ11</b>
	3091TKE026N	CABINET ASSEMBLY, RZ-23LZ55H BRAND 3090TKE016 HOTEL COMMERCIAL, COLCK WINDOW, C/SKD- <b>23HIZ10</b>
020	6304FLP283A	LCD(LIQUID CRYSTAL DISPLAY), LC230W02-A5K4 LG PHILPS TFT COLOR INVERTER RESET CIRCUIT ADDITION
030	3809TKE024X	BACK COVER ASSEMBLY, RZ-23LZ55C 3808TKE017 SKD, COMMERCIAL RJ-12 JACK
040	3043TKK221A	TILT SWIVEL ASSEMBLY, 23LZ50 TILT HINGE ASSY SKD
050	3043TKK220A	TILT SWIVEL ASSEMBLY, 23LZ50 BASE ASSY SKD
060	6871TVT370C	PWB(PCB) ASSEMBLY,VIDEO, RM-32/26/23LZ50 SIDE A/V SUB TOTAL BRAND LF- <b>23HIZ11</b>
	6871TVT370A	PWB(PCB) ASSEMBLY,VIDEO, RZ-30LZ50 SIDE A/V SUB TOTAL BRAND- <b>23HIZ10</b>
070	6871TSTB80A	PWB(PCB) ASSEMBLY,SUB, 23LZ5RC-TA LED & P/SW TOTAL BRAND LF
080	6871TST630B	PWB(PCB) ASSEMBLY,SUB, RZ-23LZ50 KEY CONTROL TOTAL BRAND LF- <b>23HIZ11</b>
	6871TST630A	PWB(PCB) ASSEMBLY,SUB, RZ-23LZ50 KEY CONTROL TOTAL BRAND- <b>23HIZ10</b>
090	4951TKS236F	METAL ASSEMBLY, FRAME MAIN 23LZ50S, LPL, C/SKD
100	6871TPT326C	PWB(PCB) ASSEMBLY,POWER, 23LZ5RC-TC POWER TOTAL BRAND COMMERCIAL RJ-12 JACK
110	6871TST632B	PWB(PCB) ASSEMBLY,SUB, RZ-23LZ50 IR SUB TOTAL BRAND LF- <b>23HIZ11</b>
	68719ST050A	PWB(PCB) ASSEMBLY,SUB, SUB T.T ML041A RZ-23LZ55H LED ALEULFX - <b>23HIZ10</b>
120	3313TP2070A	MAIN TOTAL ASSEMBLY, 23LZ5RC/ZA BRAND ML-041E-RZ- <b>23HIZ11</b>
	33139P2010A	MAIN TOTAL ASSEMBLY, RZ-23LZ55H MAIN BRAND ML-041E- <b>23HIZ10</b>
130	3551TKK530K	COVER ASSEMBLY, RZ-23LZ55 REAR , FOR EU, 7227S00112B, 8H058
140	4951TKK174E	METAL ASSEMBLY, REAR C/SKD ML-041A RZ-23LZ50S
150	3550TKK997B	COVER, 23LZ5RC REAR C/SKD
160	6401900117A	SPEAKER ASSEMBLY, 23,26,32LZ5RC-ZA(TA) ..
170	6401900117B	SPEAKER ASSEMBLY, 23,26,32LZ5RC-ZA/TA ..

# REPLACEMENT PARTS LIST

For Capacitor & Resistors, the characters at 2nd and 3rd digit in the P/No. means as follows;	CC, CX, CK, CN, CH : Ceramic CQ : Polyester CE : Electrolytic CF : Fixed Film	RD : Carbon Film RS : Metal Oxide Film RN : Metal Film RH : CHIP, Metal Glazed(Chip) RR : Drawing
---	--	---

DATE: 2005. 10. 22.				
*S	*AL	LOC. NO.	PART NO.	DESCRIPTION / SPECIFICATION
<b>MAIN BOARD</b>				
<b>CAPACITOR</b>				
		C108	OCE476EK638	47UF KMG 50V M FM5 TP 5
		C1102	OCE107EK638	100UF KMG 50V M FM5 TP 5
		C404	OCE227EJ638	220UF KMG 35V M FM5 TP 5
		C4005	0CH6222K516	2200PF 50V K NP0 2012 R/TP
		C4006	0CH6222K516	2200PF 50V K NP0 2012 R/TP
		C129	181-007F	"MPE ECQ-V1H224JL3(TR), 50V"
		C130	181-007F	"MPE ECQ-V1H224JL3(TR), 50V"
		C1001	0CH3103K516	10000PF 50V 10% B(Y5P) 2012
		C1002	0CH3103K516	10000PF 50V 10% B(Y5P) 2012
		C1003	0CH3103K516	10000PF 50V 10% B(Y5P) 2012
		C1004	0CH3103K516	10000PF 50V 10% B(Y5P) 2012
		C1007	0CH3103K516	10000PF 50V 10% B(Y5P) 2012
		C1010	0CK273DK51A	27000PF 2012 50V 10% B(Y5P)
		C1015	0CC680CK41A	68PF 1608 50V 5% R/TP NP0- <b>23HIZ10</b>
		C1016	0CC680CK41A	68PF 1608 50V 5% R/TP NP0- <b>23HIZ10</b>
		C107	0CK225DFK4A	"2.2UF 2012 16V 20%,-20% F(Y)"
		C109	0CH3103K516	10000PF 50V 10% B(Y5P) 2012
		C11	0CH3104K566	0.1UF 50V 10% X7R 2012 R/TP
		C110	0CH3103K516	10000PF 50V 10% B(Y5P) 2012
		C113	0CK225DFK4A	"2.2UF 2012 16V 20%,-20% F(Y)"
		C114	0CK225DFK4A	"2.2UF 2012 16V 20%,-20% F(Y)"
		C12	0CH3104K566	0.1UF 50V 10% X7R 2012 R/TP
		C127	0CH3104K566	0.1UF 50V 10% X7R 2012 R/TP
		C128	0CH3104K566	0.1UF 50V 10% X7R 2012 R/TP
		C1300	0CK105DK94A	"1UF 2012 50V 80%,-20% R/TP"
		C1302	0CH3103K516	10000PF 50V 10% B(Y5P) 2012
		C1305	0CK105DK94A	"1UF 2012 50V 80%,-20% R/TP"
		C1307	0CH3103K516	10000PF 50V 10% B(Y5P) 2012
		C1309	0CH3104K566	0.1UF 50V 10% X7R 2012 R/TP- <b>23HIZ10</b>
		C1310	0CH3104K566	0.1UF 50V 10% X7R 2012 R/TP- <b>23HIZ10</b>
		C135	0CH3104K566	0.1UF 50V 10% X7R 2012 R/TP
		C136	0CH3104K566	0.1UF 50V 10% X7R 2012 R/TP
		C15	0CH3104K566	0.1UF 50V 10% X7R 2012 R/TP
		C16	0CH3104K566	0.1UF 50V 10% X7R 2012 R/TP
		C18	0CK106EF56A	10UF 3216 16V 10% X7R R/TP
		C19	0CH3104K566	0.1UF 50V 10% X7R 2012 R/TP
		C23	0CH3104K566	0.1UF 50V 10% X7R 2012 R/TP
		C3	0CH3104K566	0.1UF 50V 10% X7R 2012 R/TP
		C306	0CH3104K566	0.1UF 50V 10% X7R 2012 R/TP
		C318	0CH3104K566	0.1UF 50V 10% X7R 2012 R/TP
		C4	0CH3104K566	0.1UF 50V 10% X7R 2012 R/TP
		C4004	0CK106DC67A	10UF 2012 6.3V 20% X5R R/TP
		C4008	0CK106DC67A	10UF 2012 6.3V 20% X5R R/TP
		C4009	0CH3104K566	0.1UF 50V 10% X7R 2012 R/TP
		C4010	0CH3104K566	0.1UF 50V 10% X7R 2012 R/TP
		C4011	0CH3104K566	0.1UF 50V 10% X7R 2012 R/TP
		C4016	0CH3104K566	0.1UF 50V 10% X7R 2012 R/TP
		C4017	0CH3104K566	0.1UF 50V 10% X7R 2012 R/TP
		C4019	0CH3104K566	0.1UF 50V 10% X7R 2012 R/TP
		C42	0CH3104K566	0.1UF 50V 10% X7R 2012 R/TP
		C44	0CH3104K566	0.1UF 50V 10% X7R 2012 R/TP
		C45	0CH3104K566	0.1UF 50V 10% X7R 2012 R/TP

DATE: 2005. 10. 22.				
*S	*AL	LOC. NO.	PART NO.	DESCRIPTION / SPECIFICATION
			C49	0CH3104K566 0.1UF 50V 10% X7R 2012 R/TP
			C500	0CH3104K566 0.1UF 50V 10% X7R 2012 R/TP
			C505	0CH3104K566 0.1UF 50V 10% X7R 2012 R/TP
			C506	0CH3104K566 0.1UF 50V 10% X7R 2012 R/TP
			C507	0CH3104K566 0.1UF 50V 10% X7R 2012 R/TP
			C508	0CH3104K566 0.1UF 50V 10% X7R 2012 R/TP
			C509	0CH3104K566 0.1UF 50V 10% X7R 2012 R/TP
			C51	0CH3104K566 0.1UF 50V 10% X7R 2012 R/TP
			C510	0CH3104K566 0.1UF 50V 10% X7R 2012 R/TP
			C511	0CH3104K566 0.1UF 50V 10% X7R 2012 R/TP
			C512	0CH3104K566 0.1UF 50V 10% X7R 2012 R/TP
			C513	0CH3104K566 0.1UF 50V 10% X7R 2012 R/TP
			C514	0CH3104K566 0.1UF 50V 10% X7R 2012 R/TP
			C517	0CH3104K566 0.1UF 50V 10% X7R 2012 R/TP
			C518	0CH3104K566 0.1UF 50V 10% X7R 2012 R/TP
			C519	0CH3104K566 0.1UF 50V 10% X7R 2012 R/TP
			C521	0CH3104K566 0.1UF 50V 10% X7R 2012 R/TP
			C522	0CH3104K566 0.1UF 50V 10% X7R 2012 R/TP
			C523	0CH3104K566 0.1UF 50V 10% X7R 2012 R/TP
			C526	0CH3104K566 0.1UF 50V 10% X7R 2012 R/TP
			C527	0CH3104K566 0.1UF 50V 10% X7R 2012 R/TP
			C528	0CH3104K566 0.1UF 50V 10% X7R 2012 R/TP
			C529	0CH3104K566 0.1UF 50V 10% X7R 2012 R/TP
			C530	0CH3104K566 0.1UF 50V 10% X7R 2012 R/TP
			C531	0CH3104K566 0.1UF 50V 10% X7R 2012 R/TP
			C532	0CH3104K566 0.1UF 50V 10% X7R 2012 R/TP
			C533	0CH3104K566 0.1UF 50V 10% X7R 2012 R/TP
			C534	0CH3104K566 0.1UF 50V 10% X7R 2012 R/TP
			C535	0CH3104K566 0.1UF 50V 10% X7R 2012 R/TP
			C536	0CH3104K566 0.1UF 50V 10% X7R 2012 R/TP
			C537	0CH3104K566 0.1UF 50V 10% X7R 2012 R/TP
			C538	0CH3104K566 0.1UF 50V 10% X7R 2012 R/TP
			C539	0CH3104K566 0.1UF 50V 10% X7R 2012 R/TP
			C540	0CH3104K566 0.1UF 50V 10% X7R 2012 R/TP
			C541	0CH3104K566 0.1UF 50V 10% X7R 2012 R/TP
			C542	0CH3104K566 0.1UF 50V 10% X7R 2012 R/TP
			C544	0CH3104K566 0.1UF 50V 10% X7R 2012 R/TP
			C545	0CH3104K566 0.1UF 50V 10% X7R 2012 R/TP
			C546	0CH3104K566 0.1UF 50V 10% X7R 2012 R/TP
			C547	0CH3104K566 0.1UF 50V 10% X7R 2012 R/TP
			C549	0CK105DK94A "1UF 2012 50V 80%,-20% R/TP- <b>23HIZ11</b>
			C549	0CH3104K566 0.1UF 50V 10% X7R 2012 R/TP- <b>23HIZ10</b>
			C550	0CH3104K566 0.1UF 50V 10% X7R 2012 R/TP
			C551	0CH3104K566 0.1UF 50V 10% X7R 2012 R/TP
			C552	0CH3104K566 0.1UF 50V 10% X7R 2012 R/TP
			C553	0CH3104K566 0.1UF 50V 10% X7R 2012 R/TP
			C554	0CH3104K566 0.1UF 50V 10% X7R 2012 R/TP
			C555	0CH3104K566 0.1UF 50V 10% X7R 2012 R/TP
			C556	0CH3104K566 0.1UF 50V 10% X7R 2012 R/TP
			C557	0CH3104K566 0.1UF 50V 10% X7R 2012 R/TP
			C558	0CH3104K566 0.1UF 50V 10% X7R 2012 R/TP
			C559	0CH3104K566 0.1UF 50V 10% X7R 2012 R/TP
			C567	0CK105DK94A "1UF 2012 50V 80%,-20% R/TP- <b>23HIZ11</b>
			C567	0CH3104K566 0.1UF 50V 10% X7R 2012 R/TP- <b>23HIZ10</b>



DATE: 2005. 10. 22.				
*S	*AL	LOC. NO.	PART NO.	DESCRIPTION / SPECIFICATION
		C118	0CK104CK56A	0.1UF 1608 50V 10% R/TP X7R
		C125	0CK105EK56A	1UF 3216 50V 10% X7R R/TP
		C126	0CK105EK56A	1UF 3216 50V 10% X7R R/TP
		C1301	0CK103CK51A	0.01UF 1608 50V 10% R/TP B(
		C1306	0CK103CK51A	0.01UF 1608 50V 10% R/TP B(
		C25	0CK104CK56A	0.1UF 1608 50V 10% R/TP X7R
		C26	0CK104CK56A	0.1UF 1608 50V 10% R/TP X7R
		C27	0CK104CK56A	0.1UF 1608 50V 10% R/TP X7R
		C28	0CK334CF94A	"0.33UF 1608 16V 80%,-20% F("
		C29	0CK104CK56A	0.1UF 1608 50V 10% R/TP X7R
		C30	0CK334CF94A	"0.33UF 1608 16V 80%,-20% F("
		C31	0CK104CK56A	0.1UF 1608 50V 10% R/TP X7R
		C32	0CK334CF94A	"0.33UF 1608 16V 80%,-20% F("
		C33	0CK334CF94A	"0.33UF 1608 16V 80%,-20% F("
		C34	0CK104CK56A	0.1UF 1608 50V 10% R/TP X7R
		C35	0CK334CF94A	"0.33UF 1608 16V 80%,-20% F("
		C36	0CK104CK56A	0.1UF 1608 50V 10% R/TP X7R
		C37	0CK334CF94A	"0.33UF 1608 16V 80%,-20% F("
		C38	0CK104CK56A	0.1UF 1608 50V 10% R/TP X7R
		C39	0CK104CK56A	0.1UF 1608 50V 10% R/TP X7R
		C40	0CK104CK56A	0.1UF 1608 50V 10% R/TP X7R
		C4000	0CK104CK56A	0.1UF 1608 50V 10% R/TP X7R
		C4014	0CK104CK56A	0.1UF 1608 50V 10% R/TP X7R
		C4018	0CK104CK56A	0.1UF 1608 50V 10% R/TP X7R
		C4020	0CK104CK56A	0.1UF 1608 50V 10% R/TP X7R
		C41	0CK104CK56A	0.1UF 1608 50V 10% R/TP X7R
		C5001	0CK104CK56A	0.1UF 1608 50V 10% R/TP X7R
		C504	0CK104CK56A	0.1UF 1608 50V 10% R/TP X7R
		C524	0CK104CK56A	0.1UF 1608 50V 10% R/TP X7R
		C611	0CK473CK56A	47000PF 1608 50V 10% R/TP X
		C612	0CK473CK56A	47000PF 1608 50V 10% R/TP X
		C613	0CK473CK56A	47000PF 1608 50V 10% R/TP X
		C626	0CK104CK56A	0.1UF 1608 50V 10% R/TP X7R
		C7	0CK104CK56A	0.1UF 1608 50V 10% R/TP X7R
		C70	0CK104CK56A	0.1UF 1608 50V 10% R/TP X7R
		C71	0CK106EF56A	10UF 3216 16V 10% X7R R/TP
		C72	0CK106EF56A	10UF 3216 16V 10% X7R R/TP
		C73	0CK106EF56A	10UF 3216 16V 10% X7R R/TP
		C750	0CK104CK56A	0.1UF 1608 50V 10% R/TP X7R
		C752	0CK104CK56A	0.1UF 1608 50V 10% R/TP X7R
		C753	0CK104CK56A	0.1UF 1608 50V 10% R/TP X7R
		C759	0CK104CK56A	0.1UF 1608 50V 10% R/TP X7R
		C78	0CK106EF56A	10UF 3216 16V 10% X7R R/TP
		C8	0CK104CK56A	0.1UF 1608 50V 10% R/TP X7R
		C800	0CK105CF94A	"1UF 1608 16V 80%,-20% R/TP"
		C801	0CK105CF94A	"1UF 1608 16V 80%,-20% R/TP"
		C802	0CK105CF94A	"1UF 1608 16V 80%,-20% R/TP"
		C803	0CK105CF94A	"1UF 1608 16V 80%,-20% R/TP"
		C9	0CK104CK56A	0.1UF 1608 50V 10% R/TP X7R
		C901	0CK103CK51A	0.01UF 1608 50V 10% R/TP B(
		C902	0CK103CK51A	0.01UF 1608 50V 10% R/TP B(
		C903	0CK103CK51A	0.01UF 1608 50V 10% R/TP B(
		C904	0CK103CK51A	0.01UF 1608 50V 10% R/TP B(
		C905	0CK103CK51A	0.01UF 1608 50V 10% R/TP B(
		C906	0CK103CK51A	0.01UF 1608 50V 10% R/TP B(
		C907	0CK103CK51A	0.01UF 1608 50V 10% R/TP B(
		C964	0CK105EK56A	1UF 3216 50V 10% X7R R/TP
		C13	0CH6102K406	1000PF 50V 5% SL 2012 R/TP
		C1303	0CH6101K416	100PF 50V 5% NP0 2012 R/TP
		C1308	0CH6101K416	100PF 50V 5% NP0 2012 R/TP
		C14	0CH6102K406	1000PF 50V 5% SL 2012 R/TP
		C2	0CH6102K406	1000PF 50V 5% SL 2012 R/TP

DATE: 2005. 10. 22.				
*S	*AL	LOC. NO.	PART NO.	DESCRIPTION / SPECIFICATION
		C20	0CH6102K406	1000PF 50V 5% SL 2012 R/TP
		C200	0CH6221K416	220PF 2012 50V 5% NP0 -
		C237	0CH6102K406	1000PF 50V 5% SL 2012 R/TP
		C238	0CH6102K406	1000PF 50V 5% SL 2012 R/TP
		C319	0CH6120K416	12PF 2012 50V 5% NP0 -
		C324	0CH6120K416	12PF 2012 50V 5% NP0 -
		C328	0CH6120K416	12PF 2012 50V 5% NP0 -
		C329	0CH6120K416	12PF 2012 50V 5% NP0 -
		C331	0CH6150K416	15PF 2012 50V 5% NP0 R/TP
		C336	0CH6150K416	15PF 2012 50V 5% NP0 R/TP
		C340	0CH6150K416	15PF 2012 50V 5% NP0 R/TP
		C341	0CH6150K416	15PF 2012 50V 5% NP0 R/TP
		C352	0CC270DK41A	27PF 2012 50V 5% NP0 R/TP
		C354	0CH6471K416	470PF 2012 50V 5% NP0 R/TP
		C355	0CH6471K416	470PF 2012 50V 5% NP0 R/TP
		C43	0CH6102K406	1000PF 50V 5% SL 2012 R/TP
		C46	0CH6102K406	1000PF 50V 5% SL 2012 R/TP
		C50	0CH6102K406	1000PF 50V 5% SL 2012 R/TP
		C53	0CH6102K406	1000PF 50V 5% SL 2012 R/TP
		C59	0CH6102K406	1000PF 50V 5% SL 2012 R/TP
		C701	0CH6120K416	12PF 2012 50V 5% NP0 -
		C702	0CH6120K416	12PF 2012 50V 5% NP0 -
		C74	0CH6102K406	1000PF 50V 5% SL 2012 R/TP
		C755	0CH6471K416	470PF 2012 50V 5% NP0 R/TP
		C756	0CH6471K416	470PF 2012 50V 5% NP0 R/TP
		C757	0CH6471K416	470PF 2012 50V 5% NP0 R/TP
		C758	0CH6101K416	100PF 50V 5% NP0 2012 R/TP
		C83	0CH6102K406	1000PF 50V 5% SL 2012 R/TP
		C86	0CH6102K406	1000PF 50V 5% SL 2012 R/TP
		C924	0CH6080K116	8PF 2012 50V 0.5 PF COG R/T
		C925	0CH6080K116	8PF 2012 50V 0.5 PF COG R/T
		C968	0CH6101K416	100PF 50V 5% NP0 2012 R/TP
		CC100	0CH6101K416	100PF 50V 5% NP0 2012 R/TP
		C121	0CC100CK41A	10PF 1608 50V 5% R/TP NP0
		C122	0CC100CK41A	10PF 1608 50V 5% R/TP NP0
		C202	0CC101CK41A	100PF 1608 50V 5% R/TP NP0
		C203	0CC221CK41A	220PF 1608 50V 5% R/TP NP0
		C204	0CC471CK41A	470PF 1608 50V 5% R/TP NP0
		C205	0CC471CK41A	470PF 1608 50V 5% R/TP NP0
		C207	0CC102CK41A	1000PF 1608 50V 5% R/TP NP0
		C209	0CC101CK41A	100PF 1608 50V 5% R/TP NP0
		C21	0CC102CK41A	1000PF 1608 50V 5% R/TP NP0
		C210	0CC101CK41A	100PF 1608 50V 5% R/TP NP0
		C211	0CC102CK41A	1000PF 1608 50V 5% R/TP NP0
		C214	0CC101CK41A	100PF 1608 50V 5% R/TP NP0
		C217	0CC471CK41A	470PF 1608 50V 5% R/TP NP0
		C218	0CC471CK41A	470PF 1608 50V 5% R/TP NP0
		C22	0CC102CK41A	1000PF 1608 50V 5% R/TP NP0
		C220	0CC102CK41A	1000PF 1608 50V 5% R/TP NP0
		C222	0CC102CK41A	1000PF 1608 50V 5% R/TP NP0
		C223	0CC101CK41A	100PF 1608 50V 5% R/TP NP0
		C224	0CC101CK41A	100PF 1608 50V 5% R/TP NP0
		C24	0CC102CK41A	1000PF 1608 50V 5% R/TP NP0
		C343	0CC270CK41A	27PF 1608 50V 5% R/TP NP0
		C348	0CC270CK41A	27PF 1608 50V 5% R/TP NP0
		C353	0CC270CK41A	27PF 1608 50V 5% R/TP NP0
		C4003	0CC150CK41A	15PF 1608 50V 5% R/TP NP0
		C4007	0CC150CK41A	15PF 1608 50V 5% R/TP NP0
		C47	0CC220CK41A	22PF 1608 50V 5% R/TP NP0
		C48	0CC220CK41A	22PF 1608 50V 5% R/TP NP0
		C501	0CC101CK41A	100PF 1608 50V 5% R/TP NP0
		C515	0CC330CK41A	33PF 1608 50V 5% R/TP NP0

DATE: 2005. 10. 22.				
*S	*AL	LOC. NO.	PART NO.	DESCRIPTION / SPECIFICATION
		C516	OCC330CK41A	33PF 1608 50V 5% R/TP NP0
		C600	OCC220CK41A	22PF 1608 50V 5% R/TP NP0
		C601	OCC220CK41A	22PF 1608 50V 5% R/TP NP0
		C602	OCC220CK41A	22PF 1608 50V 5% R/TP NP0
		C603	OCC220CK41A	22PF 1608 50V 5% R/TP NP0
		C610	OCC102CK41A	1000PF 1608 50V 5% R/TP NP0
		C754	OCC471CK41A	470PF 1608 50V 5% R/TP NP0
		C85	OCC102CK41A	1000PF 1608 50V 5% R/TP NP0
		C1006	OCE106EK638	10UF KMG 50V 20% FM5 TP 5
		C1100	OCE106BF618	10UF KME TYPE 16V 20% FL TP
		C111	OCE475EK638	4.7UF KMG 50V 20% FM5 TP 5
		C1112	OCE108EF618	1000UF KMG 16V 20% FL TP 5
		C1113	OCE108EF618	1000UF KMG 16V 20% FL TP 5
		C1114	OCE108EF618	1000UF KMG 16V 20% FL TP 5
		C1115	OCE108EF618	1000UF KMG 16V 20% FL TP 5
		C112	OCE475EK638	4.7UF KMG 50V 20% FM5 TP 5
		C119	OCE106BF618	10UF KME TYPE 16V 20% FL TP
		C120	OCE106BF618	10UF KME TYPE 16V 20% FL TP
		C1202	OCE477EJ618	470UF KMG 35V 20% FL TP 5
		C123	OCE477EJ618	470UF KMG 35V 20% FL TP 5
		C124	OCE477EJ618	470UF KMG 35V 20% FL TP 5
		C1299	OCE477EJ618	470UF KMG 35V 20% FL TP 5
		C1304	OCE477EJ618	470UF KMG 35V 20% FL TP 5
		C131	OCE477EJ618	470UF KMG 35V 20% FL TP 5
		C132	OCE477EJ618	470UF KMG 35V 20% FL TP 5
		C133	OCE477EJ618	470UF KMG 35V 20% FL TP 5
		C134	OCE477EJ618	470UF KMG 35V 20% FL TP 5
		C971	OCE108EF618	1000UF KMG 16V 20% FL TP 5
		C100	OCH8476F691	47UF 16V 20% 105STD (CYL) R
		C1008	OCE227WF6DC	220UF MVK 16V 20% R/TP(SMD)
		C1501	OCC330CK41A	33PF 1608 50V 5% R/TP NP0- <b>23HIZ10</b>
		C1502	OCC330CK41A	33PF 1608 50V 5% R/TP NP0- <b>23HIZ10</b>
		C1503	OCH8476F691	47UF 16V 20% 105STD (CYL) R- <b>23HIZ11</b>
		C1503	OCE106BF618	10UF KME TYPE 16V 20% FL TP- <b>23HIZ10</b>
		C1504	OCH8476F691	47UF 16V 20% 105STD (CYL) R- <b>23HIZ10</b>
		C17	OCH8106J691	10UF 35V 20% 105STD (CYL) R
		C206	OCH8226F691	22UF 16V 20% 105STD (CYL) R
		C208	OCH8226F691	22UF 16V 20% 105STD (CYL) R
		C219	OCH8226F691	22UF 16V 20% 105STD (CYL) R
		C221	OCH8226F691	22UF 16V 20% 105STD (CYL) R
		C225	OCH8106J691	10UF 35V 20% 105STD (CYL) R
		C226	OCH8106J691	10UF 35V 20% 105STD (CYL) R
		C227	OCH8106J691	10UF 35V 20% 105STD (CYL) R
		C228	OCH8106J691	10UF 35V 20% 105STD (CYL) R
		C235	OCE107WF6DC	100UF MVK 16V 20% R/TP(SMD)
		C236	OCE107WF6DC	100UF MVK 16V 20% R/TP(SMD)
		C300	OCE107WF6DC	100UF MVK 16V 20% R/TP(SMD)
		C301	OCE107WF6DC	100UF MVK 16V 20% R/TP(SMD)
		C302	OCH8106F691	10UF 16V 20% 105STD (CYL) R
		C303	OCH8106F691	10UF 16V 20% 105STD (CYL) R
		C304	OCH8106F691	10UF 16V 20% 105STD (CYL) R
		C307	OCH8106F691	10UF 16V 20% 105STD (CYL) R
		C308	OCH8476H691	47UF 25V 20% 105STD (CYL) R
		C309	OCH8106F691	10UF 16V 20% 105STD (CYL) R
		C312	OCH8106F691	10UF 16V 20% 105STD (CYL) R
		C313	OCH8476H691	47UF 25V 20% 105STD (CYL) R
		C314	OCH8106F691	10UF 16V 20% 105STD (CYL) R
		C315	OCH8106F691	10UF 16V 20% 105STD (CYL) R
		C316	OCH8106F691	10UF 16V 20% 105STD (CYL) R
		C317	OCH8106F691	10UF 16V 20% 105STD (CYL) R
		C4001	OCH8106J691	10UF 35V 20% 105STD (CYL) R
		C4002	OCH8106J691	10UF 35V 20% 105STD (CYL) R

DATE: 2005. 10. 22.				
*S	*AL	LOC. NO.	PART NO.	DESCRIPTION / SPECIFICATION
		C4012	OCE475WJ6DC	4.7UF MVK 35V 20% R/TP(SMD)
		C4013	OCE475WJ6DC	4.7UF MVK 35V 20% R/TP(SMD)
		C4015	OCH8106J691	10UF 35V 20% 105STD (CYL) R
		C4022	OCH8106F691	10UF 16V 20% 105STD (CYL) R
		C4023	OCE475WJ6DC	4.7UF MVK 35V 20% R/TP(SMD)
		C4024	OCE477WF6DC	470UF MVK 16V 20% SMD R/TP(SMD)
		C5	OCE475WJ6DC	4.7UF MVK 35V 20% R/TP(SMD)
		C502	OCH8476F691	47UF 16V 20% 105STD (CYL) R
		C503	OCH8476F691	47UF 16V 20% 105STD (CYL) R
		C52	OCH8476F691	47UF 16V 20% 105STD (CYL) R
		C520	OCH8106F691	10UF 16V 20% 105STD (CYL) R
		C525	OCH8106F691	10UF 16V 20% 105STD (CYL) R
		C54	OCH8476F691	47UF 16V 20% 105STD (CYL) R
		C543	OCH8476F691	47UF 16V 20% 105STD (CYL) R
		C55	OCH8476H691	47UF 25V 20% 105STD (CYL) R
		C560	OCH8476F691	47UF 16V 20% 105STD (CYL) R
		C566	OCH8106F691	10UF 16V 20% 105STD (CYL) R
		C604	OCH8476F691	47UF 16V 20% 105STD (CYL) R
		C605	OCH8476F691	47UF 16V 20% 105STD (CYL) R
		C607	OCH8476F691	47UF 16V 20% 105STD (CYL) R
		C62	OCH8476F691	47UF 16V 20% 105STD (CYL) R
		C63	OCH8476F691	47UF 16V 20% 105STD (CYL) R
		C703	OCE107WF6DC	100UF MVK 16V 20% R/TP(SMD)
		C805	OCE227WF6DC	220UF MVK 16V 20% R/TP(SMD)
		C806	OCE227WF6DC	220UF MVK 16V 20% R/TP(SMD)
		C807	OCE227WF6DC	220UF MVK 16V 20% R/TP(SMD)
		C814	OCE227WF6DC	220UF MVK 16V 20% R/TP(SMD)
		C815	OCH8476F691	47UF 16V 20% 105STD (CYL) R
		C857	OCE477WF6DC	470UF MVK 16V 20% SMD R/TP(SMD)
		C858	OCH8476F691	47UF 16V 20% 105STD (CYL) R
		C859	OCH8476F691	47UF 16V 20% 105STD (CYL) R
		C860	OCH8476F691	47UF 16V 20% 105STD (CYL) R
		C861	OCH8476F691	47UF 16V 20% 105STD (CYL) R
		C862	OCH8476F691	47UF 16V 20% 105STD (CYL) R
		C863	OCH8476F691	47UF 16V 20% 105STD (CYL) R
		C87	OCH8476F691	47UF 16V 20% 105STD (CYL) R
		C88	OCH8476H691	47UF 25V 20% 105STD (CYL) R
		C89	OCH8476F691	47UF 16V 20% 105STD (CYL) R
		C900	OCH8476F691	47UF 16V 20% 105STD (CYL) R
		C91	OCH8476F691	47UF 16V 20% 105STD (CYL) R
		C953	OCH8476F691	47UF 16V 20% 105STD (CYL) R
		C956	OCH8476H691	47UF 25V 20% 105STD (CYL) R
		C957	OCH8476F691	47UF 16V 20% 105STD (CYL) R
		C959	OCH8476F691	47UF 16V 20% 105STD (CYL) R
		C97	OCH8476H691	47UF 25V 20% 105STD (CYL) R
		C972	OCH8476H691	47UF 25V 20% 105STD (CYL) R
		CC101	OCH8476F691	47UF 16V 20% 105STD (CYL) R
<b>DIODES</b>				
		D100	ODRFC00288A	SS14 FAIR CHILD R/TP SMA 20
		D101	ODRFC00288A	SS14 FAIR CHILD R/TP SMA 20
		IC751	ODRSE00018B	"SRV05-4.TCT, SEMTECH R/TP S"
		IC754	ODRSE00018B	"SRV05-4.TCT, SEMTECH R/TP S"
		ZD1300	ODR340009AA	MBRS340 TP FAIRCHILD NON 40
		ZD1301	ODR340009AA	MBRS340 TP FAIRCHILD NON 40
		ZD901	ODR340009AA	MBRS340 TP FAIRCHILD NON 40
		D107	ODS226009AA	KDS226 TP KEC - 80V - - 4NS
		D711	ODD184009AA	KDS184 TP KEC - 85V - - - 3
		D712	ODD184009AA	KDS184 TP KEC - 85V - - - <b>3-23HIZ10</b>
		D102	ODS181009AA	KDS181 TP KEC SOT-23 80V
		D103	ODS181009AA	KDS181 TP KEC SOT-23 80V

DATE: 2005. 10. 22.				
*S	*AL	LOC. NO.	PART NO.	DESCRIPTION / SPECIFICATION
		D104	0DZ620009HB	UDZ S 6.2B TP ROHM SOD323 2
		D105	0DZ620009HB	UDZ S 6.2B TP ROHM SOD323 2
		D703	0DZ510009EE	UDZ S 5.1B TP ROHM SOD323 -
		D704	0DZ510009EE	UDZ S 5.1B TP ROHM SOD323 -
		ZD101	0DZ510009EE	UDZ S 5.1B TP ROHM SOD323 -
		ZD215	0DZ510009EE	UDZ S 5.1B TP ROHM SOD323 -
		ZD216	0DZ510009EE	UDZ S 5.1B TP ROHM SOD323 -
		ZD217	0DZ510009EE	UDZ S 5.1B TP ROHM SOD323 - <b>23HIZ11</b>
		ZD218	0DZ510009EE	UDZ S 5.1B TP ROHM SOD323 -
		ZD219	0DZ510009EE	UDZ S 5.1B TP ROHM SOD323 -
		ZD220	0DZ510009EE	UDZ S 5.1B TP ROHM SOD323 -
		ZD222	0DZ510009EE	UDZ S 5.1B TP ROHM SOD323 -
		ZD1000	0DZ330009DF	MTZJ33B TP ROHM-K DO34 0.5W
		D700	0DZ510009EE	UDZ S 5.1B TP ROHM SOD323 -
		D701	0DZ510009EE	UDZ S 5.1B TP ROHM SOD323 -
		D702	0DZ510009EE	UDZ S 5.1B TP ROHM SOD323 -
		D705	0DZ510009EE	UDZ S 5.1B TP ROHM SOD323 -
		D706	0DZ510009EE	UDZ S 5.1B TP ROHM SOD323 -
		ZD10	0DZ910009FE	UDZS 9.1B TP ROHM - - 9.1V
		D2001	0DZ510009EE	UDZ S 5.1B TP ROHM SOD323 - <b>23HIZ10</b>
		ZD203	0DZ510009EE	UDZ S 5.1B TP ROHM SOD323 -
		ZD204	0DZ510009EE	UDZ S 5.1B TP ROHM SOD323 -
		ZD207	0DZ510009EE	UDZ S 5.1B TP ROHM SOD323 -
		ZD208	0DZ510009EE	UDZ S 5.1B TP ROHM SOD323 -
		ZD210	0DZ510009EE	UDZ S 5.1B TP ROHM SOD323 -
		ZD221	0DZ510009EE	UDZ S 5.1B TP ROHM SOD323 -
		ZD5001	0DZ510009EE	UDZ S 5.1B TP ROHM SOD323 -
		ZD5002	0DZ510009EE	UDZ S 5.1B TP ROHM SOD323 -
		ZD5003	0DZ510009EE	UDZ S 5.1B TP ROHM SOD323 -
		ZD851	0DZ510009EE	UDZ S 5.1B TP ROHM SOD323 -
		ZD852	0DZ510009EE	UDZ S 5.1B TP ROHM SOD323 -
		C105	0DZ510009EE	UDZ S 5.1B TP ROHM SOD323 - <b>23HIZ10</b>
<b>IC</b>				
		IC501	0IMMREB010A	"M12L64322A-6T ESMT 86P,TSOP"
		IC749	0IMMRSG036A	"M24C02-WMN6T(P),LF SGS-THOM"
		IC753	0IMMRSG036A	"M24C02-WMN6T(P),LF SGS-THOM"
		IC907	0IMCRAL006A	"AT24C16AN-10SU-2.7,LF ATMEL"
		IC918	0IMCRAL006A	"AT24C16AN-10SU-2.7,LF ATMEL"
		IC100	0IMCRMZ002A	MP7720 MONOLITHIC POWER SYS
		IC101	0IMCRMZ002A	MP7720 MONOLITHIC POWER SYS
		IC500	0IMCRGN002D	"FLI2300BD-LF,PB FREE GENESI"
		IC750	0IMCRSG010A	ST3232CDR SGS-THOMSON SOP16
		IC850	0IMCRM1006B	"M52758FP,LF RENESAS 36P,SSO"
		IC1	0IPRPMN003C	VCT49XYF C7(NTSC+PAL) MICRO
		IC4002	0IPRPAK013A	"AK4525VF-E2,LF AKM 28P,VOSP"
		IC4005	0IPRPJR017A	"NJU26901E2 JRC 8P,EMP R/TP"
		IC600	0IPRPM3002D	"MST9883C-LF-110 MSTAR 80P,L"
		IC800	0IPRPNP001A	"SM5301BS(ATSC DTV) NPC 28P,"
		IC901	0IPRPGN014C	"GM5221H-BC-LF,PB FREE GENES"
		IC1300	0IPMG00063A	MP1593DN-LF-Z MONOLITHIC PO- <b>23HIZ11</b>
		IC1300	0IMCRMZ001A	"MP1583DN-Z,LF MONOLITHIC PO- <b>23HIZ10</b>
		IC1301	0IPMG00063A	MP1593DN-LF-Z MONOLITHIC PO- <b>23HIZ11</b>
		IC1301	0IMCRMZ001A	"MP1583DN-Z,LF MONOLITHIC PO- <b>23HIZ10</b>
		IC2	0IPMGK2001B	AIC1117A-33PYTR(BS33) AIC 3
		IC3	0IKE702700D	"KIA7027AF 3, SOT-89 TP RESE"
		IC300	0IPMGKE039A	"KIA78D09F KEC 3P,DPAK R/TP"
		IC4	0IPMGK2001B	AIC1117A-33PYTR(BS33) AIC 3
		IC4007	0IPMG00107A	AZ1117H-2.5TR/E1 AAC 3PIN S
		IC505	0IPMGSG018D	LD1086DT18TR-LF SGS-THOMSON
		IC6	0IPMGSG018D	LD1086DT18TR-LF SGS-THOMSON

DATE: 2005. 10. 22.				
*S	*AL	LOC. NO.	PART NO.	DESCRIPTION / SPECIFICATION
		IC601	0IPMGK2001B	AIC1117A-33PYTR(BS33) AIC 3
		IC604	0IPMGFA061A	"FAN1587AD33X FAIRCHILD 3P,D"
		IC8	0IMCRFA015A	KA7805R FAIRCHILD 2P D-PAK
		IC904	0IPMG00063A	MP1593DN-LF-Z MONOLITHIC PO- <b>23HIZ11</b>
		IC904	0IMCRMZ001A	"MP1583DN-Z,LF MONOLITHIC PO- <b>23HIZ10</b>
		IC905	0IPMGFA061A	"FAN1587AD33X FAIRCHILD 3P,D"
		IC906	0IPMGSG018D	LD1086DT18TR-LF SGS-THOMSON
		IC103	0ISS780800J	"KA78M08R 3P,D-PAK TP VOL. R"
		IC200	0ISA722200A	LA7222 (1280 AUDIO) - - -
		IC2000	0ISTL00026A	"MC14066BDR2G,LF ON SEMI 14P"
		IC4000	0ISTLFA108A	"NC7SV125P5X FAIRCHILD 5P,SC"
		IC4003	0ISTLFA108A	"NC7SV125P5X FAIRCHILD 5P,SC"
		IC4004	0ISTLFA108A	"NC7SV125P5X FAIRCHILD 5P,SC"
		IC4006	0ISTL00021A	"SN74AHCT1G125DCKR,LF TEXAS"
		IC702	0ISTL00026A	"MC14066BDR2G,LF ON SEMI 14P"
		IC752	0IMCRT1001A	"SN74HCT157DR,LF TEXAS INST"
<b>COIL &amp; CORE &amp; INDUCTOR</b>				
		L104	6140TBZ045A	"38.5UH(DIP), 6A, P7.5, DR8."
		L105	6140TBZ045A	"38.5UH(DIP), 6A, P7.5, DR8."
		L1300	6140VR0008B	SLF12575T-150M3R2 15UH SMD
		L1301	6140VR0008B	SLF12575T-150M3R2 15UH SMD
		L906	6140VR0008B	SLF12575T-150M3R2 15UH SMD
		L100	6210TCE001G	HH-1M3216-501 CERATEC 3216M
		L106	6210TCE001A	HB-1S2012-080JT CERATEC 201- <b>23HIZ10</b>
		L107	6210TCE001A	HB-1S2012-080JT CERATEC 201- <b>23HIZ10</b>
		L108	6210TCE001A	HB-1S2012-080JT CERATEC 201- <b>23HIZ10</b>
		L109	6210TCE001A	HB-1S2012-080JT CERATEC 201- <b>23HIZ10</b>
		L1002	6210TCE001G	HH-1M3216-501 CERATEC 3216M
		L3	6210TCE001G	HH-1M3216-501 CERATEC 3216M
		L301	6210TCE001A	HB-1S2012-080JT CERATEC 201
		L302	6210TCE001A	HB-1S2012-080JT CERATEC 201
		L304	6210TCE001G	HH-1M3216-501 CERATEC 3216M
		L311	6210TCE001G	HH-1M3216-501 CERATEC 3216M
		L4	6210TCE001G	HH-1M3216-501 CERATEC 3216M
		L401	6210TCE001G	HH-1M3216-501 CERATEC 3216M
		L5	6210TCE001G	HH-1M3216-501 CERATEC 3216M
		L500	6210TCE001G	HH-1M3216-501 CERATEC 3216M
		L501	6210TCE001G	HH-1M3216-501 CERATEC 3216M
		L502	6210TCE001G	HH-1M3216-501 CERATEC 3216M
		L503	6210TCE001G	HH-1M3216-501 CERATEC 3216M
		L504	6210TCE001G	HH-1M3216-501 CERATEC 3216M
		L505	6210TCE001G	HH-1M3216-501 CERATEC 3216M
		L600	6210TCE001G	HH-1M3216-501 CERATEC 3216M
		L601	6210TCE001G	HH-1M3216-501 CERATEC 3216M
		L602	6210TCE001G	HH-1M3216-501 CERATEC 3216M
		L701	6210TCE001G	HH-1M3216-501 CERATEC 3216M
		L800	6210TCE001G	HH-1M3216-501 CERATEC 3216M
		L850	6210TCE001G	HH-1M3216-501 CERATEC 3216M
		L900	6210TCE001G	HH-1M3216-501 CERATEC 3216M
		L901	6210TCE001G	HH-1M3216-501 CERATEC 3216M
		L902	6210TCE001G	HH-1M3216-501 CERATEC 3216M
		L903	6210TCE001G	HH-1M3216-501 CERATEC 3216M
		L907	6210TCE001G	HH-1M3216-501 CERATEC 3216M
		L202	6210TCE001A	HB-1S2012-080JT CERATEC 201
		L203	6210TCE001A	HB-1S2012-080JT CERATEC 201
		L204	6210TCE001A	HB-1S2012-080JT CERATEC 201
		L205	6210TCE001A	HB-1S2012-080JT CERATEC 201
		L207	6210TCE001A	HB-1S2012-080JT CERATEC 201
		L208	6210TCE001A	HB-1S2012-080JT CERATEC 201
		L209	6210TCE001A	HB-1S2012-080JT CERATEC 201



DATE: 2005. 10. 22.				
*S	*AL	LOC. NO.	PART NO.	DESCRIPTION / SPECIFICATION
		L210	6210TCE001A	HB-1S2012-080JT CERATEC 201
		L4001	6210TCE001G	HH-1M3216-501 CERATEC 3216M
		L4003	6210TCE001G	HH-1M3216-501 CERATEC 3216M
		L5000	6210TCE001G	HH-1M3216-501 CERATEC 3216M
		L603	6210TCE001A	HB-1S2012-080JT CERATEC 201
		Z1000	6200QL3002F	"X6966M EPCOS ST SIP5K, 6200"
		L1	0LC1032101A	10UH 10% 3216 R/TC FI-C3216
		L1001	0LC1020101A	1UH 10% 2012 R/TC FI-B2012-
		L11	0LC1032101A	10UH 10% 3216 R/TC FI-C3216
		L13	0LC1032101A	10UH 10% 3216 R/TC FI-C3216
		L14	0LC1032101A	10UH 10% 3216 R/TC FI-C3216
		L15	0LC1032101A	10UH 10% 3216 R/TC FI-C3216
		L17	0LC1032101A	10UH 10% 3216 R/TC FI-C3216
		L2	0LC1032101A	10UH 10% 3216 R/TC FI-C3216
		L402	0LC1532101A	15UH 10% 3216 R/TC FI-C3216
		L403	0LC1532101A	15UH 10% 3216 R/TC FI-C3216
		L7	0LC1032101A	10UH 10% 3216 R/TC FI-C3216
		L10	0LC1032101A	10UH 10% 3216 R/TC FI-C3216
		L12	0LC1032101A	10UH 10% 3216 R/TC FI-C3216
		L16	0LC1032101A	10UH 10% 3216 R/TC FI-C3216
		L200	0LC1020101A	1UH 10% 2012 R/TC FI-B2012-
		L201	0LC1020101A	1UH 10% 2012 R/TC FI-B2012-
		L306	0LC1532101A	15UH 10% 3216 R/TC FI-C3216
		L307	0LC1532101A	15UH 10% 3216 R/TC FI-C3216
		L8	0LC1032101A	10UH 10% 3216 R/TC FI-C3216
		L9	0LC1032101A	10UH 10% 3216 R/TC FI-C3216

**FET & TRANSISTOR**

		Q1000	0TR388109AA	KTC3881 CHIP TP KEC - -
		Q1101	0TR387500AA	CHIP 2SC3875S(ALY) BK KEC -
		Q1102	0TR387500AA	CHIP 2SC3875S(ALY) BK KEC -
		Q212	0TR387500AA	CHIP 2SC3875S(ALY) BK KEC -
		Q300	0TR387500AA	CHIP 2SC3875S(ALY) BK KEC -
		Q302	0TR387500AA	CHIP 2SC3875S(ALY) BK KEC -
		Q303	0TR387500AA	CHIP 2SC3875S(ALY) BK KEC -
		Q304	0TR387500AA	CHIP 2SC3875S(ALY) BK KEC -
		Q318	0TR387500AA	CHIP 2SC3875S(ALY) BK KEC -
		Q701	0TR387500AA	CHIP 2SC3875S(ALY) BK KEC -
		QQ101	0TR387500AA	CHIP 2SC3875S(ALY) BK KEC -
		Q100	0TR387500AA	CHIP 2SC3875S(ALY) BK KEC -
		Q101	0TR150400BA	CHIP 2SA1504S(ASY) BK KEC -
		Q12	0TR150400BA	CHIP 2SA1504S(ASY) BK KEC -
		Q13	0TR150400BA	CHIP 2SA1504S(ASY) BK KEC -
		Q14	0TR150400BA	CHIP 2SA1504S(ASY) BK KEC -
		Q15	0TR387500AA	CHIP 2SC3875S(ALY) BK KEC -
		Q16	0TR387500AA	CHIP 2SC3875S(ALY) BK KEC -
		Q17	0TR387500AA	CHIP 2SC3875S(ALY) BK KEC -
		Q301	0TR387500AA	CHIP 2SC3875S(ALY) BK KEC -
		Q305	0TR150400BA	CHIP 2SA1504S(ASY) BK KEC -
		Q306	0TR150400BA	CHIP 2SA1504S(ASY) BK KEC -
		Q308	0TR387500AA	CHIP 2SC3875S(ALY) BK KEC -
		Q310	0TR387500AA	CHIP 2SC3875S(ALY) BK KEC -
		Q313	0TR387500AA	CHIP 2SC3875S(ALY) BK KEC -
		Q315	0TR387500AA	CHIP 2SC3875S(ALY) BK KEC -
		Q316	0TR387500AA	CHIP 2SC3875S(ALY) BK KEC -
		Q317	0TR387500AA	CHIP 2SC3875S(ALY) BK KEC -
		Q500	0TR387500AA	CHIP 2SC3875S(ALY) BK KEC -
		Q901	0TR387500AA	CHIP 2SC3875S(ALY) BK KEC -
		IC1101	0TF492509AA	SI4925DY TP TEMIC 30V 6.1A
		IC902	0TF492509AA	SI4925DY TP TEMIC 30V 6.1A
		ICC120	0TF492509AA	SI4925DY TP TEMIC 30V 6.1A

DATE: 2005. 10. 22.				
*S	*AL	LOC. NO.	PART NO.	DESCRIPTION / SPECIFICATION
<b>RESISTORS</b>				
			RA600	0RRZVTA001A MNR-14-E0A-J-101 R OHM 100
			RA601	0RRZVTA001A MNR-14-E0A-J-101 R OHM 100
			RA602	0RRZVTA001A MNR-14-E0A-J-101 R OHM 100
			RA603	0RRZVTA001A MNR-14-E0A-J-101 R OHM 100
			RA604	0RRZVTA001A MNR-14-E0A-J-101 R OHM 100
			RA605	0RRZVTA001A MNR-14-E0A-J-101 R OHM 100
			CC102	0RH1002D622 10K OHM 1 / 10 W 2012 5.00%
			R10	0RH3301D622 3.3K OHM 1 / 10 W 2012 5.00
			R1001	0RH0562D622 56 OHM 1 / 10 W 2012 5.00%
			R1002	0RH1501D622 1.5K OHM 1 / 10 W 2012 5.00
			R1003	0RH8200D622 820 OHM 1 / 10 W 2012 5.00%
			R1004	0RH3000D622 300 OHM 1 / 10 W 2012 5.00%
			R1005	0RH0682D622 68 OHM 1 / 10 W 2012 5.00%
			R1010	0RH7501D622 7.5K OHM 1 / 10 W 2012 5.00
			R1011	0RH0000D622 0 OHM 1 / 10 W 2012 5.00% D
			R1012	0RH7502D622 75K OHM 1 / 10 W 2012 5.00%
			R1014	0RH1000D622 100 OHM 1 / 10 W 2012 5.00%
			R1026	0RH0000D622 0 OHM 1 / 10 W 2012 5.00% D
			R104	0RH1000D622 100 OHM 1 / 10 W 2012 5.00%
			R106	0RH1500D622 150 OHM 1 / 10 W 2012 5.00%
			R107	0RH1503D622 150K OHM 1 / 10 W 2012 5.00
			R11	0RH3301D622 3.3K OHM 1 / 10 W 2012 5.00
			R1100	0RH1000D622 100 OHM 1 / 10 W 2012 5.00%
			R1101	0RH1000D622 100 OHM 1 / 10 W 2012 5.00%
			R1102	0RH1000D622 100 OHM 1 / 10 W 2012 5.00%
			R1105	0RH1001D622 1K OHM 1 / 10 W 2012 5.00%
			R1106	0RH1202D622 12K OHM 1 / 10 W 2012 5.00%
			R1107	0RH1502D622 15K OHM 1 / 10 W 2012 5.00%
			R1108	0RH1001D622 1K OHM 1 / 10 W 2012 5.00%
			R118	0RH1000D622 100 OHM 1 / 10 W 2012 5.00%
			R126	0RH1502D622 15K OHM 1 / 10 W 2012 5.00%
			R128	0RH1002D622 10K OHM 1 / 10 W 2012 5.00%
			R129	0RH1002D622 10K OHM 1 / 10 W 2012 5.00%
			R1290	0RH0000D622 0 OHM 1 / 10 W 2012 5.00% D
			R1301	0RH1002D622 10K OHM 1 / 10 W 2012 5.00%
			R1304	0RH1002D622 10K OHM 1 / 10 W 2012 5.00%
			R132	0RH1003D622 100K OHM 1 / 10 W 2012 5.00
			R133	0RH1003D622 100K OHM 1 / 10 W 2012 5.00
			R134	0RH1003D622 100K OHM 1 / 10 W 2012 5.00
			R135	0RH1003D622 100K OHM 1 / 10 W 2012 5.00
			R1350	0RH0000D622 0 OHM 1 / 10 W 2012 5.00% D
			R140	0RH0392D622 39 OHM 1 / 10 W 2012 5.00%
			R141	0RH0392D622 39 OHM 1 / 10 W 2012 5.00%
			R142	0RH0392D622 39 OHM 1 / 10 W 2012 5.00%
			R143	0RH0392D622 39 OHM 1 / 10 W 2012 5.00%
			R144	0RH0392D622 39 OHM 1 / 10 W 2012 5.00%
			R145	0RH0392D622 39 OHM 1 / 10 W 2012 5.00%
			R146	0RH0392D622 39 OHM 1 / 10 W 2012 5.00%
			R147	0RH0392D622 39 OHM 1 / 10 W 2012 5.00%
			R1501	0RH0000D622 0 OHM 1 / 10 W 2012 5.00% D
			R154	0RH0822D622 82 OHM 1 / 10 W 2012 5.00%
			R156	0RH0822D622 82 OHM 1 / 10 W 2012 5.00%
			R158	0RH0822D622 82 OHM 1 / 10 W 2012 5.00%
			R162	0RH2701D622 2.7K OHM 1 / 10 W 2012 5.00
			R201	0RH4703D622 470K OHM 1 / 10 W 2012 5.00
			R202	0RH5601D622 5.6K OHM 1 / 10 W 2012 5.00
			R203	0RH5601D622 5.6K OHM 1 / 10 W 2012 5.00
			R204	0RH4703D622 470K OHM 1 / 10 W 2012 5.00
			R22	0RH0000D622 0 OHM 1 / 10 W 2012 5.00% D
			R24	0RH1000D622 100 OHM 1 / 10 W 2012 5.00%
			R25	0RH1000D622 100 OHM 1 / 10 W 2012 5.00%

DATE: 2005. 10. 22.				
*S	*AL	LOC. NO.	PART NO.	DESCRIPTION / SPECIFICATION
		R264	ORH1001D622	1K OHM 1 / 10 W 2012 5.00%
		R265	ORH1001D622	1K OHM 1 / 10 W 2012 5.00%
		R266	ORH4701D622	4.7K OHM 1 / 10 W 2012 5.00
		R267	ORH4702D622	47K OHM 1 / 10 W 2012 5.00%
		R268	ORH4701D622	4.7K OHM 1 / 10 W 2012 5.00
		R300	ORH1002D622	10K OHM 1 / 10 W 2012 5.00%
		R301	ORH1002D622	10K OHM 1 / 10 W 2012 5.00%
		R302	ORH1002D622	10K OHM 1 / 10 W 2012 5.00%
		R304	ORH1002D622	10K OHM 1 / 10 W 2012 5.00%
		R305	ORH1002D622	10K OHM 1 / 10 W 2012 5.00%
		R306	ORH1002D622	10K OHM 1 / 10 W 2012 5.00%
		R307	ORH1002D622	10K OHM 1 / 10 W 2012 5.00%
		R308	ORH1002D622	10K OHM 1 / 10 W 2012 5.00%
		R309	ORH1002D622	10K OHM 1 / 10 W 2012 5.00%
		R312	ORH4700D622	470 OHM 1 / 10 W 2012 5.00%
		R313	ORH1500D622	150 OHM 1 / 10 W 2012 5.00%
		R314	ORH4700D622	470 OHM 1 / 10 W 2012 5.00%
		R315	ORH1500D622	150 OHM 1 / 10 W 2012 5.00%
		R320	ORH4703D622	470K OHM 1 / 10 W 2012 5.00
		R322	ORH1500D622	150 OHM 1 / 10 W 2012 5.00%
		R324	ORH4703D622	470K OHM 1 / 10 W 2012 5.00
		R338	ORH1002D622	10K OHM 1 / 10 W 2012 5.00%
		R339	ORH1002D622	10K OHM 1 / 10 W 2012 5.00%
		R342	ORH2702D622	27K OHM 1 / 10 W 2012 5.00%
		R343	ORH4702D622	47K OHM 1 / 10 W 2012 5.00%
		R348	ORH1002D622	10K OHM 1 / 10 W 2012 5.00%
		R349	ORH1002D622	10K OHM 1 / 10 W 2012 5.00%
		R352	ORH2702D622	27K OHM 1 / 10 W 2012 5.00%
		R353	ORH4702D622	47K OHM 1 / 10 W 2012 5.00%
		R354	ORH2702D622	27K OHM 1 / 10 W 2012 5.00%
		R355	ORH4702D622	47K OHM 1 / 10 W 2012 5.00%
		R363	ORH1001D622	1K OHM 1 / 10 W 2012 5.00%
		R367	ORH1001D622	1K OHM 1 / 10 W 2012 5.00%
		R373	ORH1001D622	1K OHM 1 / 10 W 2012 5.00%
		R377	ORH1001D622	1K OHM 1 / 10 W 2012 5.00%
		R379	ORH1001D622	1K OHM 1 / 10 W 2012 5.00%
		R381	ORH1001D622	1K OHM 1 / 10 W 2012 5.00%
		R383	ORH1001D622	1K OHM 1 / 10 W 2012 5.00%
		R394	ORH6800D622	680 OHM 1 / 10 W 5% D R/TP
		R395	ORH6800D622	680 OHM 1 / 10 W 5% D R/TP
		R4000	ORH1003D622	100K OHM 1 / 10 W 2012 5.00
		R4001	ORH1003D622	100K OHM 1 / 10 W 2012 5.00
		R4002	ORH4700D622	470 OHM 1 / 10 W 2012 5.00%
		R4003	ORH4700D622	470 OHM 1 / 10 W 2012 5.00%
		R4004	ORH4700D622	470 OHM 1 / 10 W 2012 5.00%
		R4008	ORH0000D622	0 OHM 1 / 10 W 2012 5.00% D
		R4010	ORH0000D622	0 OHM 1 / 10 W 2012 5.00% D
		R4012	ORH4700D622	470 OHM 1 / 10 W 2012 5.00%
		R4025	ORH4700D622	470 OHM 1 / 10 W 2012 5.00%
		R4026	ORH4700D622	470 OHM 1 / 10 W 2012 5.00%
		R44	ORH1000D622	100 OHM 1 / 10 W 2012 5.00%
		R45	ORH1000D622	100 OHM 1 / 10 W 2012 5.00%
		R46	ORH1001D622	1K OHM 1 / 10 W 2012 5.00%
		R502	ORH3301D622	3.3K OHM 1 / 10 W 2012 5.00
		R505	ORH0000D622	0 OHM 1 / 10 W 2012 5.00% D
		R506	ORH0000D622	0 OHM 1 / 10 W 2012 5.00% D
		R516	ORH0222D622	22 OHM 1 / 10 W 2012 5.00%
		R517	ORH0222D622	22 OHM 1 / 10 W 2012 5.00%
		R519	ORH0222D622	22 OHM 1 / 10 W 2012 5.00%
		R520	ORH1800D622	180 OHM 1 / 10 W 2012 5.00%
		R527	ORH4701D622	4.7K OHM 1 / 10 W 2012 5.00
		R530	ORH0000D622	0 OHM 1 / 10 W 2012 5.00% D

DATE: 2005. 10. 22.				
*S	*AL	LOC. NO.	PART NO.	DESCRIPTION / SPECIFICATION
		R532	ORH0222D622	22 OHM 1 / 10 W 2012 5.00%
		R607	ORH1000D622	100 OHM 1 / 10 W 2012 5.00%
		R610	ORH2701D622	2.7K OHM 1 / 10 W 2012 5.00
		R700	ORH0000D622	0 OHM 1 / 10 W 2012 5.00% D
		R703	ORH4701D622	4.7K OHM 1 / 10 W 2012 5.00- <b>23HIZ11</b>
		R703	ORH1802D622	18K OHM 1 / 10 W 2012 5.00%- <b>23HIZ10</b>
		R705	ORH4701D622	4.7K OHM 1 / 10 W 2012 5.00- <b>23HIZ11</b>
		R705	ORH1802D622	18K OHM 1 / 10 W 2012 5.00%- <b>23HIZ10</b>
		R712	ORH0752D622	75 OHM 1 / 10 W 2012 5.00%
		R713	ORH0752D622	75 OHM 1 / 10 W 2012 5.00%
		R715	ORH1202D622	12K OHM 1 / 10 W 2012 5.00%
		R716	ORH0752D622	75 OHM 1 / 10 W 2012 5.00%
		R719	ORH1502D622	15K OHM 1 / 10 W 2012 5.00%
		R727	ORH1000D622	100 OHM 1 / 10 W 2012 5.00%
		R728	ORH0000D622	0 OHM 1 / 10 W 2012 5.00% D
		R729	ORH1000D622	100 OHM 1 / 10 W 2012 5.00%
		R730	ORH1000D622	100 OHM 1 / 10 W 2012 5.00%
		R732	ORH1001D622	1K OHM 1 / 10 W 2012 5.00%
		R737	ORH4701D622	4.7K OHM 1 / 10 W 2012 5.00
		R738	ORH4701D622	4.7K OHM 1 / 10 W 2012 5.00
		R752	ORH0000D622	0 OHM 1 / 10 W 2012 5.00% D
		R753	ORH0000D622	0 OHM 1 / 10 W 2012 5.00% D
		R755	ORH0102D622	10 OHM 1 / 10 W 2012 5.00%
		R756	ORH0102D622	10 OHM 1 / 10 W 2012 5.00%
		R760	ORH0000D622	0 OHM 1 / 10 W 2012 5.00% D
		R761	ORH0000D622	0 OHM 1 / 10 W 2012 5.00% D
		R771	ORH4701D622	4.7K OHM 1 / 10 W 2012 5.00- <b>23HIZ10</b>
		R802	ORH8200D622	820 OHM 1 / 10 W 2012 5.00%
		R803	ORH0000D622	0 OHM 1 / 10 W 2012 5.00% D
		R805	ORH0752D622	75 OHM 1 / 10 W 2012 5.00%
		R806	ORH4700D622	470 OHM 1 / 10 W 2012 5.00%
		R809	ORH0102D622	10 OHM 1 / 10 W 2012 5.00%
		R83	ORH1000D622	100 OHM 1 / 10 W 2012 5.00%
		R85	ORH1000D622	100 OHM 1 / 10 W 2012 5.00%
		R850	ORH4701D622	4.7K OHM 1 / 10 W 2012 5.00
		R851	ORH4701D622	4.7K OHM 1 / 10 W 2012 5.00
		R854	ORH0000D622	0 OHM 1 / 10 W 2012 5.00% D
		R87	ORH1000D622	100 OHM 1 / 10 W 2012 5.00%
		R89	ORH1000D622	100 OHM 1 / 10 W 2012 5.00%
		R930	ORH3301D622	3.3K OHM 1 / 10 W 2012 5.00
		R931	ORH3301D622	3.3K OHM 1 / 10 W 2012 5.00
		R941	ORH1000D622	100 OHM 1 / 10 W 2012 5.00%
		R960	ORH1000D622	100 OHM 1 / 10 W 2012 5.00%
		R963	ORH1002D622	10K OHM 1 / 10 W 2012 5.00%
		R964	ORH0000D622	0 OHM 1 / 10 W 2012 5.00% D
		R969	ORH1202D622	12K OHM 1 / 10 W 2012 5.00%
		R971	ORH1502D622	15K OHM 1 / 10 W 2012 5.00%
		R974	ORH4701D622	4.7K OHM 1 / 10 W 2012 5.00
		R976	ORH4701D622	4.7K OHM 1 / 10 W 2012 5.00
		R977	ORH4701D622	4.7K OHM 1 / 10 W 2012 5.00
		R980	ORH4701D622	4.7K OHM 1 / 10 W 2012 5.00
		R983	ORH1002D622	10K OHM 1 / 10 W 2012 5.00%
		R998	ORH0000D622	0 OHM 1 / 10 W 2012 5.00% D- <b>23HIZ11</b>
		R999	ORH0000D622	0 OHM 1 / 10 W 2012 5.00% D- <b>23HIZ10</b>
		RR2	ORH0000D622	0 OHM 1 / 10 W 2012 5.00% D
		RR20	ORH4701D622	4.7K OHM 1 / 10 W 2012 5.00
		RR21	ORH4701D622	4.7K OHM 1 / 10 W 2012 5.00- <b>23HIZ11</b>
		RR31	ORH0000D622	0 OHM 1 / 10 W 2012 5.00% D
		RR32	ORH0000D622	0 OHM 1 / 10 W 2012 5.00% D
		RR34	ORH0000D622	0 OHM 1 / 10 W 2012 5.00% D
		RR37	ORH0000D622	0 OHM 1 / 10 W 2012 5.00% D
		RR40	ORH0000D622	0 OHM 1 / 10 W 2012 5.00% D

DATE: 2005. 10. 22.				
*S	*AL	LOC. NO.	PART NO.	DESCRIPTION / SPECIFICATION
		RR80	0RH1001D622	1K OHM 1 / 10 W 2012 5.00%
		RR81	0RH1002D622	10K OHM 1 / 10 W 2012 5.00%
		RR92	0RH0000D622	0 OHM 1 / 10 W 2012 5.00% D
		RR93	0RH0000D622	0 OHM 1 / 10 W 2012 5.00% D
		RR96	0RH0000D622	0 OHM 1 / 10 W 2012 5.00% D
		L308	0RJ0000G676	0 OHM 1/4 W 5% 3216 R/TP- <b>23HIZ11</b>
		L309	0RJ0000G676	0 OHM 1/4 W 5% 3216 R/TP- <b>23HIZ11</b>
		L310	0RJ0000G676	0 OHM 1/4 W 5% 3216 R/TP- <b>23HIZ11</b>
		R100	0RJ1000D677	100 OHM 1/10 W 5% 1608 R/TP
		R101	0RJ1000D677	100 OHM 1/10 W 5% 1608 R/TP
		R1013	0RJ0000D677	0 OHM 1/10 W 5% 1608 R/TP
		R1015	0RJ0000D677	0 OHM 1/10 W 5% 1608 R/TP
		R102	0RJ1000D677	100 OHM 1/10 W 5% 1608 R/TP
		R1027	0RJ1202D677	12K OHM 1/10 W 5% 1608 R/TP
		R1028	0RJ2200D677	220 OHM 1/10 W 5% 1608 R/TP
		R103	0RJ1000D677	100 OHM 1/10 W 5% 1608 R/TP
		R105	0RJ1000D677	100 OHM 1/10 W 5% 1608 R/TP
		R108	0RJ1000D677	100 OHM 1/10 W 5% 1608 R/TP
		R109	0RJ1000D677	100 OHM 1/10 W 5% 1608 R/TP
		R110	0RJ1000D677	100 OHM 1/10 W 5% 1608 R/TP
		R1109	0RJ1000D677	100 OHM 1/10 W 5% 1608 R/TP- <b>23HIZ11</b>
		R1109	0RJ1001D677	1K OHM 1/10 W 5% 1608 R/TP- <b>23HIZ10</b>
		R111	0RJ1000D677	100 OHM 1/10 W 5% 1608 R/TP
		R112	0RJ1000D677	100 OHM 1/10 W 5% 1608 R/TP
		R113	0RJ1000D677	100 OHM 1/10 W 5% 1608 R/TP
		R114	0RJ1000D677	100 OHM 1/10 W 5% 1608 R/TP
		R115	0RJ1000D677	100 OHM 1/10 W 5% 1608 R/TP
		R116	0RJ1000D677	100 OHM 1/10 W 5% 1608 R/TP
		R117	0RJ1000D677	100 OHM 1/10 W 5% 1608 R/TP
		R120	0RJ1000D677	100 OHM 1/10 W 5% 1608 R/TP
		R121	0RJ0000D677	0 OHM 1/10 W 5% 1608 R/TP
		R122	0RJ1000D677	100 OHM 1/10 W 5% 1608 R/TP
		R123	0RJ2202D677	22K OHM 1/10 W 5% 1608 R/TP
		R124	0RJ1500D677	150 OHM 1/10 W 5% 1608 R/TP
		R125	0RJ4701D677	4.7K OHM 1/10 W 5% 1608 R/T
		R127	0RJ3301D677	3.3K OHM 1/10 W 5% 1608 R/T
		R130	0RJ6801D477	6.8K OHM 1/10 W 1% 1608 R/T- <b>23HIZ11</b>
		R130	0RJ7501D677	7.5K OHM 1/10 W 5% 1608 R/T- <b>23HIZ10</b>
		R1300	0RJ4701D677	4.7K OHM 1/10 W 5% 1608 R/T
		R1302	0RJ4302D677	43K OHM 1/10 W 5% 1608 R/TP
		R1303	0RJ6801D477	6.8K OHM 1/10 W 1% 1608 R/T
		R1305	0RJ2202D477	22K OHM 1/10 W 1% 1608 R/TP
		R131	0RJ6801D477	6.8K OHM 1/10 W 1% 1608 R/T- <b>23HIZ11</b>
		R131	0RJ7501D677	7.5K OHM 1/10 W 5% 1608 R/T- <b>23HIZ10</b>
		R136	0RJ8202D677	82K OHM 1/10 W 5% 1608 R/TP- <b>23HIZ11</b>
		R136	0RJ5102D677	51K OHM 1/10 W 5% 1608 R/TP- <b>23HIZ10</b>
		R137	0RJ8202D677	82K OHM 1/10 W 5% 1608 R/TP- <b>23HIZ11</b>
		R137	0RJ5102D677	51K OHM 1/10 W 5% 1608 R/TP- <b>23HIZ10</b>
		R138	0RJ1002D677	10K OHM 1/10 W 5% 1608 R/TP
		R139	0RJ1002D677	10K OHM 1/10 W 5% 1608 R/TP
		R15	0RJ4700D677	470 OHM 1/10 W 5% 1608 R/TP
		R1503	0RJ0000D677	0 OHM 1/10 W 5% 1608 R/TP
		R152	0RJ0000D677	0 OHM 1/10 W 5% 1608 R/TP
		R153	0RJ0000D677	0 OHM 1/10 W 5% 1608 R/TP
		R155	0RJ2700D677	270 OHM 1/10 W 5% 1608 R/TP
		R157	0RJ2700D677	270 OHM 1/10 W 5% 1608 R/TP
		R159	0RJ2700D677	270 OHM 1/10 W 5% 1608 R/TP
		R16	0RJ1002D677	10K OHM 1/10 W 5% 1608 R/TP
		R160	0RJ1500D677	150 OHM 1/10 W 5% 1608 R/TP
		R161	0RJ0222D677	22 OHM 1/10 W 5% 1608 R/TP
		R163	0RJ1500D677	150 OHM 1/10 W 5% 1608 R/TP
		R164	0RJ1500D677	150 OHM 1/10 W 5% 1608 R/TP

DATE: 2005. 10. 22.				
*S	*AL	LOC. NO.	PART NO.	DESCRIPTION / SPECIFICATION
		R17	0RJ2202D677	22K OHM 1/10 W 5% 1608 R/TP
		R173	0RJ3301D677	3.3K OHM 1/10 W 5% 1608 R/T
		R175	0RJ3301D677	3.3K OHM 1/10 W 5% 1608 R/T
		R18	0RJ0000D677	0 OHM 1/10 W 5% 1608 R/TP
		R205	0RJ0682D677	68 OHM 1/10 W 5% 1608 R/TP
		R207	0RJ0752D677	75 OHM 1/10 W 5% 1608 R/TP
		R209	0RJ0222D677	22 OHM 1/10 W 5% 1608 R/TP
		R210	0RJ3902D677	39K OHM 1/10 W 5% 1608 R/TP- <b>23HIZ11</b>
		R210	0RJ2402D677	24K OHM 1/10 W 5% 1608 R/TP- <b>23HIZ10</b>
		R211	0RJ5102D677	51K OHM 1/10 W 5% 1608 R/TP
		R213	0RJ0752D677	75 OHM 1/10 W 5% 1608 R/TP
		R214	0RJ0752D677	75 OHM 1/10 W 5% 1608 R/TP
		R218	0RJ1001D677	1K OHM 1/10 W 5% 1608 R/TP
		R220	0RJ1001D677	1K OHM 1/10 W 5% 1608 R/TP
		R237	0RJ0682D677	68 OHM 1/10 W 5% 1608 R/TP
		R238	0RJ0222D677	22 OHM 1/10 W 5% 1608 R/TP
		R239	0RJ0752D677	75 OHM 1/10 W 5% 1608 R/TP
		R240	0RJ0222D677	22 OHM 1/10 W 5% 1608 R/TP
		R241	0RJ0752D677	75 OHM 1/10 W 5% 1608 R/TP
		R244	0RJ0000D677	0 OHM 1/10 W 5% 1608 R/TP
		R245	0RJ0752D677	75 OHM 1/10 W 5% 1608 R/TP
		R246	0RJ0000D677	0 OHM 1/10 W 5% 1608 R/TP
		R247	0RJ0752D677	75 OHM 1/10 W 5% 1608 R/TP
		R248	0RJ0000D677	0 OHM 1/10 W 5% 1608 R/TP
		R249	0RJ0752D677	75 OHM 1/10 W 5% 1608 R/TP
		R250	0RJ3902D677	39K OHM 1/10 W 5% 1608 R/TP- <b>23HIZ11</b>
		R250	0RJ2402D677	24K OHM 1/10 W 5% 1608 R/TP- <b>23HIZ10</b>
		R251	0RJ5102D677	51K OHM 1/10 W 5% 1608 R/TP
		R253	0RJ1501D677	1.5K OHM 1/10 W 5% 1608 R/T
		R254	0RJ1501D677	1.5K OHM 1/10 W 5% 1608 R/T
		R256	0RJ1001D677	1K OHM 1/10 W 5% 1608 R/TP
		R257	0RJ1001D677	1K OHM 1/10 W 5% 1608 R/TP
		R303	0RJ1002D677	10K OHM 1/10 W 5% 1608 R/TP
		R317	0RJ2700D677	270 OHM 1/10 W 5% 1608 R/TP
		R319	0RJ2700D677	270 OHM 1/10 W 5% 1608 R/TP
		R321	0RJ2700D677	270 OHM 1/10 W 5% 1608 R/TP
		R323	0RJ1500D677	150 OHM 1/10 W 5% 1608 R/TP
		R326	0RJ1001D677	1K OHM 1/10 W 5% 1608 R/TP
		R329	0RJ1001D677	1K OHM 1/10 W 5% 1608 R/TP
		R34	0RJ0000D677	0 OHM 1/10 W 5% 1608 R/TP
		R35	0RJ0000D677	0 OHM 1/10 W 5% 1608 R/TP
		R356	0RJ1002D677	10K OHM 1/10 W 5% 1608 R/TP
		R357	0RJ1002D677	10K OHM 1/10 W 5% 1608 R/TP
		R358	0RJ1002D677	10K OHM 1/10 W 5% 1608 R/TP
		R359	0RJ1002D677	10K OHM 1/10 W 5% 1608 R/TP
		R385	0RJ6800D677	680 OHM 1/10 W 5% 1608 R/TP
		R387	0RJ0000D677	0 OHM 1/10 W 5% 1608 R/TP
		R390	0RJ6800D677	680 OHM 1/10 W 5% 1608 R/TP
		R392	0RJ0000D677	0 OHM 1/10 W 5% 1608 R/TP
		R393	0RJ0000D677	0 OHM 1/10 W 5% 1608 R/TP
		R4005	0RJ0472D677	47 OHM 1/10 W 5% 1608 R/TP
		R4006	0RJ0472D677	47 OHM 1/10 W 5% 1608 R/TP
		R4015	0RJ0000D677	0 OHM 1/10 W 5% 1608 R/TP
		R4016	0RJ0000D677	0 OHM 1/10 W 5% 1608 R/TP
		R4019	0RJ0000D677	0 OHM 1/10 W 5% 1608 R/TP
		R4020	0RJ1001D677	1K OHM 1/10 W 5% 1608 R/TP
		R4022	0RJ0000D677	0 OHM 1/10 W 5% 1608 R/TP
		R4023	0RJ0000D677	0 OHM 1/10 W 5% 1608 R/TP
		R4024	0RJ0472D677	47 OHM 1/10 W 5% 1608 R/TP
		R4027	0RJ3001D677	3K OHM 1/10 W 5% 1608 R/TP
		R4032	0RJ4700D677	470 OHM 1/10 W 5% 1608 R/TP
		R4033	0RJ4700D677	470 OHM 1/10 W 5% 1608 R/TP



DATE: 2005. 10. 22.				
*S	*AL	LOC. NO.	PART NO.	DESCRIPTION / SPECIFICATION
		R940	0RJ1000D677	100 OHM 1/10 W 5% 1608 R/TP
		R942	0RJ1000D677	100 OHM 1/10 W 5% 1608 R/TP
		R943	0RJ1000D677	100 OHM 1/10 W 5% 1608 R/TP
		R944	0RJ1000D677	100 OHM 1/10 W 5% 1608 R/TP
		R945	0RJ0222D677	22 OHM 1/10 W 5% 1608 R/TP
		R946	0RJ0222D677	22 OHM 1/10 W 5% 1608 R/TP
		R947	0RJ1000D677	100 OHM 1/10 W 5% 1608 R/TP
		R948	0RJ1000D677	100 OHM 1/10 W 5% 1608 R/TP
		R949	0RJ1000D677	100 OHM 1/10 W 5% 1608 R/TP
		R95	0RJ1000D677	100 OHM 1/10 W 5% 1608 R/TP
		R950	0RJ1000D677	100 OHM 1/10 W 5% 1608 R/TP
		R952	0RJ1002D677	10K OHM 1/10 W 5% 1608 R/TP
		R953	0RJ1002D677	10K OHM 1/10 W 5% 1608 R/TP
		R96	0RJ1000D677	100 OHM 1/10 W 5% 1608 R/TP
		R965	0RJ0222D677	22 OHM 1/10 W 5% 1608 R/TP
		R966	0RJ0222D677	22 OHM 1/10 W 5% 1608 R/TP
		R967	0RJ0222D677	22 OHM 1/10 W 5% 1608 R/TP
		R968	0RJ0222D677	22 OHM 1/10 W 5% 1608 R/TP
		R970	0RJ1001D677	1K OHM 1/10 W 5% 1608 R/TP
		R972	0RJ1000D677	100 OHM 1/10 W 5% 1608 R/TP
		R975	0RJ1000D677	100 OHM 1/10 W 5% 1608 R/TP
		R98	0RJ1000D677	100 OHM 1/10 W 5% 1608 R/TP
		R982	0RJ6801D477	6.8K OHM 1/10 W 1% 1608 R/T
		R984	0RJ2202D677	22K OHM 1/10 W 5% 1608 R/TP
		R99	0RJ1000D677	100 OHM 1/10 W 5% 1608 R/TP
		RR11	0RJ0000D677	0 OHM 1/10 W 5% 1608 R/TP
		RR13	0RJ0000D677	0 OHM 1/10 W 5% 1608 R/TP
		RR15	0RJ0000D677	0 OHM 1/10 W 5% 1608 R/TP
		RR16	0RJ0000D677	0 OHM 1/10 W 5% 1608 R/TP
		RR17	0RJ0000D677	0 OHM 1/10 W 5% 1608 R/TP
		RR18	0RJ0000D677	0 OHM 1/10 W 5% 1608 R/TP
		RR36	0RJ0000D677	0 OHM 1/10 W 5% 1608 R/TP
		RR4	0RJ0000D677	0 OHM 1/10 W 5% 1608 R/TP
		RR41	0RJ0000D677	0 OHM 1/10 W 5% 1608 R/TP
		RR5	0RJ0000D677	0 OHM 1/10 W 5% 1608 R/TP
		C333	0RH0000D622	0 OHM 1 / 10 W 2012 5.00% D-23HIZ10
		C338	0RH0000D622	0 OHM 1 / 10 W 2012 5.00% D-23HIZ10
		C339	0RH0000D622	0 OHM 1 / 10 W 2012 5.00% D-23HIZ10
<b>OTHERS</b>				
		X4000	6202TTB001G	HC-49U SUNNY 12.288MHZ +/-
		X11	6202VDT002E	SX-1SMD SUNNY RADIAL 202500
		X500	6202VDT002J	SX-1 SUNNY 13.500000MHZ +/-
		X900	6202VDT002B	SX-1 SUNNY SC14.3MHZ +/- 30
		IC900	6620F00017A	CCSD-32T-SM WOYOYOUNG 32P PL
		TU1000	6700VS0003E	TAEW-G053D LGIT MULTI VS PA
<b>CONTROL BOARD</b>				
		L1700	0LA0102K119	10UH 10% A 2.3 X 3.4 TA52 -
		R1700	0RN8200F409	820 1/6W 1% TA52
		R1701	0RN6200F409	620 1/6W 1% TA52
		R1702	0RN5100F409	510 OHM 1/6 W 1.00% TA52
		R1703	0RN4300F409	430 OHM 1/6 W 1.00% TA52
		R1704	0RN3300F409	330 1/6W 1% TA52
		R1705	0RN2700F409	270 1/6W 1% TA52
		R1706	0RN2701F409	2.7K OHM 1/6 W 1.00% TA52
		SW1700	140-313A	TACT 2LEAD 100G(TA) LG C&D
		SW1701	140-313A	TACT 2LEAD 100G(TA) LG C&D
		SW1702	140-313A	TACT 2LEAD 100G(TA) LG C&D
		SW1703	140-313A	TACT 2LEAD 100G(TA) LG C&D

DATE: 2005. 10. 22.				
*S	*AL	LOC. NO.	PART NO.	DESCRIPTION / SPECIFICATION
		SW1704	140-313A	TACT 2LEAD 100G(TA) LG C&D
		SW1705	140-313A	TACT 2LEAD 100G(TA) LG C&D
		SW1706	140-313A	TACT 2LEAD 100G(TA) LG C&D
<b>IR BOARD</b>				
		C1500	0CN1040K949	"0.1UF D 50V 80%,-20% F(Y5V)-23HIZ11
		C1500	0CC330CK41A	33PF 1608 50V 5% R/TP NP0-23HIZ10
		C2001	0CH3104K566	0.1UF 50V 10% X7R 2012 R/TP-23HIZ10
		C2002	0CH8476F691	47UF 16V 20% 105STD (CYL) R-23HIZ10
		C2003	0CH3104K566	0.1UF 50V 10% X7R 2012 R/TP-23HIZ10
		C2004	0CH8476F691	47UF 16V 20% 105STD (CYL) R-23HIZ10
		C2005	0CH3104K566	0.1UF 50V 10% X7R 2012 R/TP-23HIZ10
		C2006	0CH8476F691	47UF 16V 20% 105STD (CYL) R-23HIZ10
		C2007	0CH3104K566	0.1UF 50V 10% X7R 2012 R/TP-23HIZ10
		C2009	0CH5471K416	470PF 50V 5% NP0 2012 R/TP-23HIZ10
		C2010	0CH5471K416	470PF 50V 5% NP0 2012 R/TP-23HIZ10
		L1500	0LA0102K119	10UH 10% A 2.3 X 3.4 TA52 -23HIZ11
		L2001	6210TCE001G	HH-1M3216-501 CERATEC 3216M-23HIZ10
		L2002	6210TCE001G	HH-1M3216-501 CERATEC 3216M-23HIZ10
		IR1500	6712000013A	TSOP4438SO1 VISHAY 38KHZ AN-23HIZ11
		IC2002	0IZZ9H0049A	0IMCR02117A MICROCHIP SSOP-23HIZ10
		IC2003	6726VV0006D	TSOP4838SO1 TEMIC 38 HOLDER-23HIZ10
		IC2004	6301900001A	YANGWOO LED ASSEMBLY RZ-23L-23HIZ10
		IC2007	0IKE650030C	KID65003AF 16SOP BK 7CH DRI-23HIZ10
		Q2001	0TR102008AA	KRA102S R/TP KEC SOT23 CHIP-23HIZ10
		Q2002	0TR102008AA	KRA102S R/TP KEC SOT23 CHIP-23HIZ10
		Q2003	0TR102008AA	KRA102S R/TP KEC SOT23 CHIP-23HIZ10
		Q2004	0TR102008AA	KRA102S R/TP KEC SOT23 CHIP-23HIZ10
		Q2005	0TR102008AA	KRA102S R/TP KEC SOT23 CHIP-23HIZ10
		R69	0RH4701D622	4.7K OHM 1 / 10 W 2012 5.00%-23HIZ10
		R2001	0RH0000D622	0 OHM 1 / 10 W 2012 5.00% D-23HIZ10
		R2016	0RH3302D622	33K OHM 1 / 10 W 2012 5.00%-23HIZ10
		R2017	0RH0000D622	0 OHM 1 / 10 W 2012 5.00% D-23HIZ10
		R2018	0RH1001D622	1K OHM 1 / 10 W 2012 5.00%-23HIZ10
		R2019	0RH4702D622	47K OHM 1 / 10 W 2012 5.00%-23HIZ10
		R2027	0RH1000D622	100 OHM 1 / 10 W 2012 5.00%-23HIZ10
		R2028	0RH1000D622	100 OHM 1 / 10 W 2012 5.00%-23HIZ10
		R2029	0RH4701D622	4.7K OHM 1 / 10 W 2012 5.00%-23HIZ10
		R2030	0RH4701D622	4.7K OHM 1 / 10 W 2012 5.00%-23HIZ10
		R2031	0RH4701D622	4.7K OHM 1 / 10 W 2012 5.00%-23HIZ10
		R2032	0RH1000D622	100 OHM 1 / 10 W 2012 5.00%-23HIZ10
		R2033	0RH1000D622	100 OHM 1 / 10 W 2012 5.00%-23HIZ10
		R2034	0RH1000D622	100 OHM 1 / 10 W 2012 5.00%-23HIZ10
		R2035	0RH1000D622	100 OHM 1 / 10 W 2012 5.00%-23HIZ10
		R2036	0RH1000D622	100 OHM 1 / 10 W 2012 5.00%-23HIZ10
		R2037	0RH1000D622	100 OHM 1 / 10 W 2012 5.00%-23HIZ10
		R2038	0RH1000D622	100 OHM 1 / 10 W 2012 5.00%-23HIZ10
		R2041	0RH1000D622	100 OHM 1 / 10 W 2012 5.00%-23HIZ10
<b>LED&amp;P/SW BOARD</b>				
		C1600	0CH3104K566	0.1UF 50V 10% X7R 2012 R/TP
		L1600	0LC1032101A	10UH 10% 3216 R/TC FI-C3216
		L2003	0LC1032101A	10UH 10% 3216 R/TC FI-C3216-23HIZ10
		Q1601	0TR387500AA	CHIP 2SC3875S(ALY) BK KEC -
		Q1602	0TR387500AA	CHIP 2SC3875S(ALY) BK KEC -
		Q1603	0TR387500AA	CHIP 2SC3875S(ALY) BK KEC -
		R1600	0RH3301D622	3.3K OHM 1 / 10 W 2012 5.00
		R1601	0RH2701D622	2.7K OHM 1 / 10 W 2012 5.00
		R1602	0RH2700D622	270 OHM 1 / 10 W 2012 5.00%
		R1603	0RH1001D622	1K OHM 1 / 10 W 2012 5.00%

