

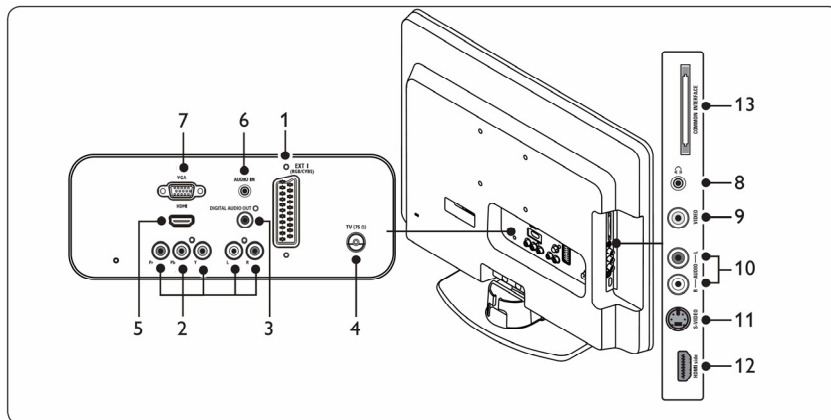
Service Service Service



19PFL3403D/10; 22PFL3403D/10

Styling Sheet

19PFL3403/10; 22PFL3403D/10



ComPair
Connector

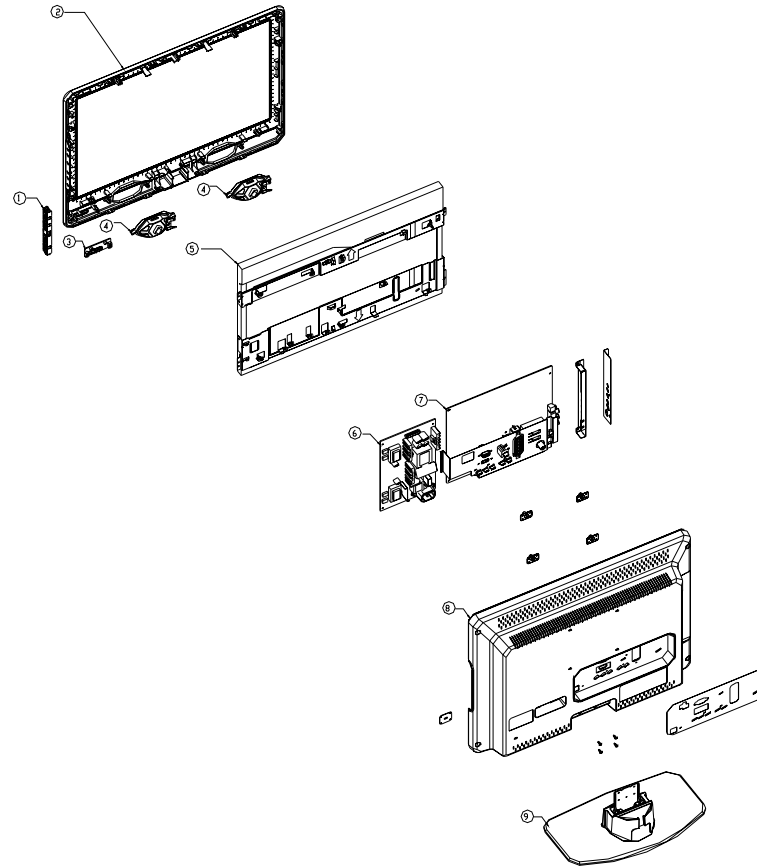


Copyright 2008 Philips Consumer Lifestyle. All rights reserved. No part of this publication may be reproduced, stored in a retrieval system or transmitted, in any form or by any means, electronic, mechanical, photocopying, or otherwise without the prior permission of Philips. Safety regulations require that the set is restored to its original condition and that parts which are identical with those specified are used.

Subject to modification Apr, 2, 2008 EN: 312278517570

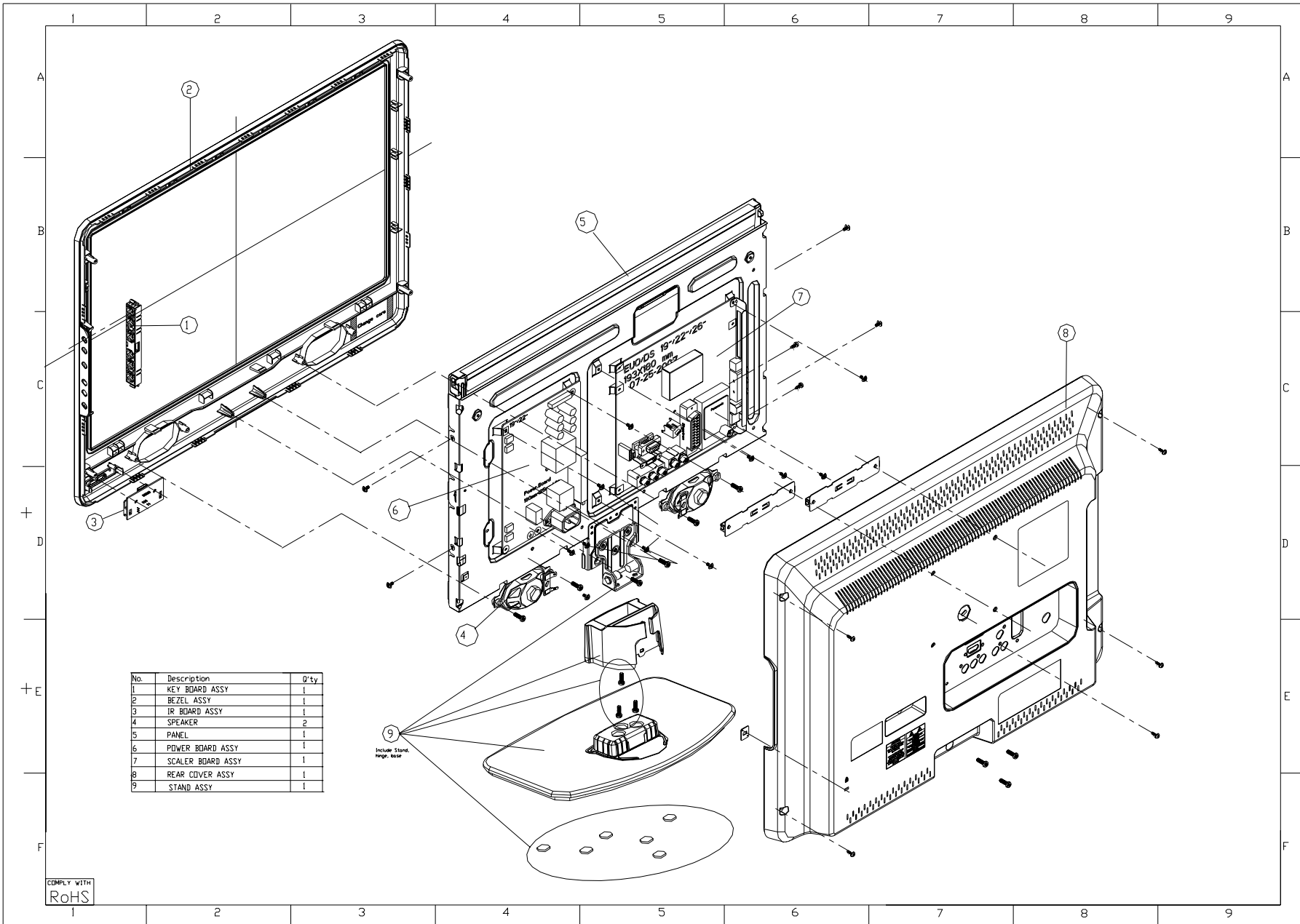


19PFL3403D/10 Exploded View


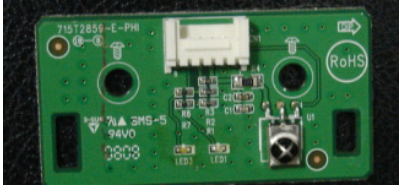
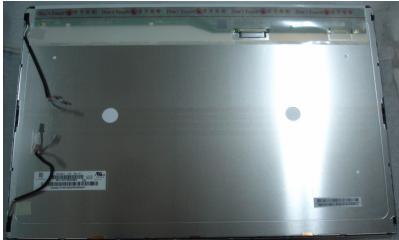


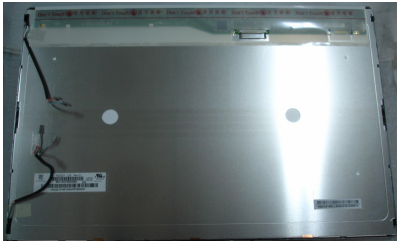
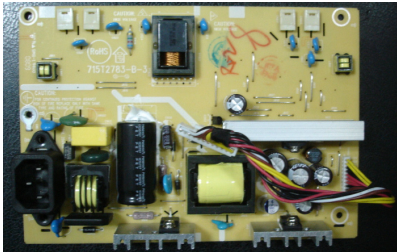
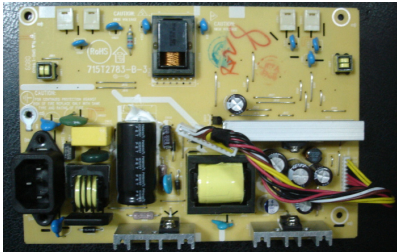
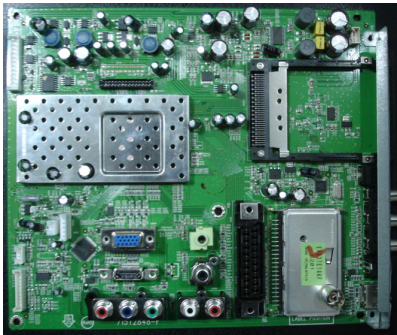
| | Description |
|---|-------------------|
| 1 | Key Board Assy |
| 2 | Bezel Assy |
| 3 | IR Board Assy |
| 4 | Speakers |
| 5 | Panel |
| 6 | Power Board Assy |
| 7 | Scaler Board Assy |
| 8 | Rear Cover Assy |
| 9 | Base Assy |

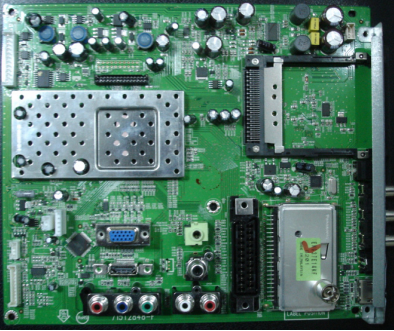
22PFL3403D/10 Exploded View



Mechanical Part List

| Styling | | | | | | | 19PFL3403D/10 | | 22PFL3403D/10 | |
|---------|----------|--------------|--------------------|--|----------------------------------|------------|---------------|-----|---------------|--|
| Item | Location | Philips 12NC | PCM Codes | Picture | Description | Remark | CMO | LGD | CMO | |
| 1 | FQ004 | 996510015223 | KEPF8QA2 |  | KEY BOARD ASSY | | √ | √ | √ | |
| 2 | FQ101 | 996510015111 | 705TQ834001 | | BEZEL ASSY | | √ | √ | | |
| 2 | FQ101 | 996510013273 | 705TQ734498 | | BEZEL ASSY | | | | √ | |
| 3 | FQ007 | 996510015220 | IRPF8QA6 |  | IR BOARD ASSY | | √ | √ | √ | |
| 4 | FQ401 | 996510014009 | 078T 496 2A M | | SPEAKER 8 OHM 3.5W 90X42mm | | √ | √ | | |
| 4 | FQ401 | 996510015231 | 078T 496 2 M | | SPEAKER 6 OHM 5.5W 90X42mm | | | | √ | |
| 5 | FQ001 | 996510017559 | 750TVM90A1A12Z |  | PANEL M190A1-L0A C1 NB CMO | | √ | | | |
| 5 | FQ001 | 996510018317 | 750TVG190W1G13Z000 | | PANEL LM190WX1-TLG1 GZ LGD | 3rd source | | √ | | |

| | | | | | | | | | |
|---|-------|--------------|----------------|---|-------------------------------|------------|---|---|---|
| 5 | FQ001 | 996510017842 | 750TVMC0Z1312Z |  | PANEL M220Z1-L03 C1 NB CMO | | | | √ |
| 6 | FQ003 | 996510015224 | PWTV7941MQAM |  | POWER BOARD ASSY | | | | |
| 6 | FQ003 | 996510020096 | PWTV8941EQC1 | | POWER BOARD ASSY | 3rd source | | √ | |
| 6 | FQ003 | 996510015247 | PWTV7C41MAB3 |  | POWER BOARD ASSY | | | | √ |
| 7 | FQ002 | 996510015112 | CBPF82FBA2 |  | SCALER BOARD ASSY | | √ | | |
| 7 | FQ002 | 996510016353 | CBPF82FBQ6 | | SCALER BOARD ASSY | 2nd source | √ | | |
| 7 | FQ002 | 996510020097 | CBPF82GBQ4 | | SCALER BOARD ASSY | 3rd source | | √ | |

| | | | | | | | | | |
|---|-------|--------------|-------------|--|----------------------|--|---|---|---|
| 7 | FQ002 | 996510015239 | CBPF82FBA1 |  | SCALER BOARD ASSY | | | | √ |
| 8 | FQ102 | 996510014013 | 705TQ734509 | | REAR COVER ASSY | | √ | √ | |
| 8 | FQ102 | 996510013274 | 705TQ734499 | | REAR COVER ASSY | | | | √ |
| 9 | FQ103 | 996510012246 | 705TP737006 | | BASE ASSY | | √ | √ | |
| 9 | FQ103 | 996510013275 | 705TQ734497 | | STAND ASS'Y | | | | √ |

Software change record

| Philips Model | Main Board | Remark | Panel | PWB | Software release record | | |
|---------------|------------|------------|-------|---------------|--|----------------|----------------------------|
| | | | | | Soft Ware Name | Version | Effective Date |
| 19PFL3403D/10 | CBPF82FBA2 | | CMO | 715T2848-1 | Processor_Main_SW_19PFL3403D_10_V3.01_5_1.bin Processor_Main_SW_19PFL3403D_10_V2.02_5_1.hex | V3.01 V2.02 | Aug 11.2008 Aug.5, 2008 |
| | CBPF82FBQ6 | 2nd source | CMO | | | | |
| | CBPF82GBQ4 | 3rd source | LGD | | | | |
| 19PFL3403D/10 | CBPF82FBA2 | | CMO | 715T2848-1PHI | Processor_Main_SW_19PFL3403D_10_V3.14_5_4.bin Processor_Main_SW_19PFL3403D_10_V2.02_5_1.hex | V3.14 V2.02 | Oct 09.2008 Aug.5, 2008 |
| | CBPF82FBQ6 | 2nd source | CMO | | | | |
| | CBPF82GBQ4 | 3rd source | LGD | | | | |
| 22PFL3403D/10 | CBPF82FBA1 | | CMO | 715T2848-1 | Processor_Main_SW_22PFL3403D_10_V3.01_5_1.bin | V3.01 | Aug 11.2008 |
| | | | | | Processor_Main_SW_22PFL3403D_10_V2.02_5_1.hex | V2.02 | Aug.5, 2008 |
| 22PFL3403D/10 | CBPF82FBA1 | | CMO | 715T2848-1PHI | Processor_Main_SW_22PFL3403D_10_V3.14_5_4.bin | V3.14 | Oct 09.2008 |
| | | | | | Processor_Main_SW_22PFL3403D_10_V2.02_5_1.hex | V2.02 | Aug 5, 2008 |

Notes:

- 1). The latest firmware can replace all of previous versions.
- 2). FW V3.01 matches with the PWB 715T2848-1 and FW V3.14 matches with 715T2848-1PHI.

Project Panel to FFC cable

| Styling | | | | | 19PFL3403D/10 | | 22PFL3403D/10 |
|--------------------|----------|--------------|----------------|-------------------------------|---------------|-----|---------------|
| Panel Code No. | Location | Philips 12NC | PCM Codes | Description | CMO | LGD | CMO |
| 750TVM90A1A12Z | E09502 | 996510015839 | 095T8014 4X565 | WIRE HARNESS 4P(PLUG)-B&R+B&W | √ | | |
| 750TVM90A1A12Z | E09501 | 996510015108 | 095T801411X510 | WIRE HARNESS 11P-5P+6P (PLUG) | √ | | |
| 750TVM90A1A12Z | FQ303 | 996510015109 | 095T8018 3DH06 | LVDS CABLE 30P-30P 180mm | √ | | |
| 750TVG190W1G13Z000 | E09502 | 996510015839 | 095T8014 4X565 | WIRE HARNESS 4P(PLUG)-B&R+B&W | | √ | |
| 750TVG190W1G13Z000 | E09501 | 996510015108 | 095T801411X510 | WIRE HARNESS 11P-5P+6P (PLUG) | | √ | |
| 750TVG190W1G13Z000 | FQ303 | 996510015109 | 095T8018 3DH06 | LVDS CABLE 30P-30P 180mm | | √ | |
| 750TVMC0Z1312Z | E09501 | 996510015232 | 095T8014 4D553 | WIRE HARNESS 4P(PLUG)-B&R+B&W | | | √ |
| 750TVMC0Z1312Z | E09502 | 996510015234 | 095T801411D509 | WIRE HARNESS 11P-5P+6P (PLUG) | | | √ |
| 750TVMC0Z1312Z | E09503 | 996510015236 | 095T8018 3XH06 | LVDS CABLE 30P-30P 180mm | | | √ |

PC-Cord, RC

| Styling | | | | | | 19PFL3403D/10 | | 22PFL3403D/10 | |
|--------------|----------------|-------------|--------|--------------|----------------|------------------------------|-----|---------------|-----|
| PC-Cord | | | | RC | | | | | |
| Philips 12NC | PCM Codes | Description | Remark | Philips 12NC | PCM Codes | Description | CMO | LGD | CMO |
| 996510013266 | 089T404A18N IS | POWER CORD | | 996510015110 | 098TR7BDXNTPHT | REMOTE CONTROL YKF230-002 | √ | | √ |
| 996510013267 | 089T410A18N IS | POWER CORD | | | | | √ | | √ |
| 996510003520 | 089G404A18N IS | POWER CORD | | 996510015110 | 098TR7BDXNTPHT | REMOTE CONTROL | | √ | |
| 996500037340 | 089G410A18N IS | POWER CORD | | | | | | √ | |

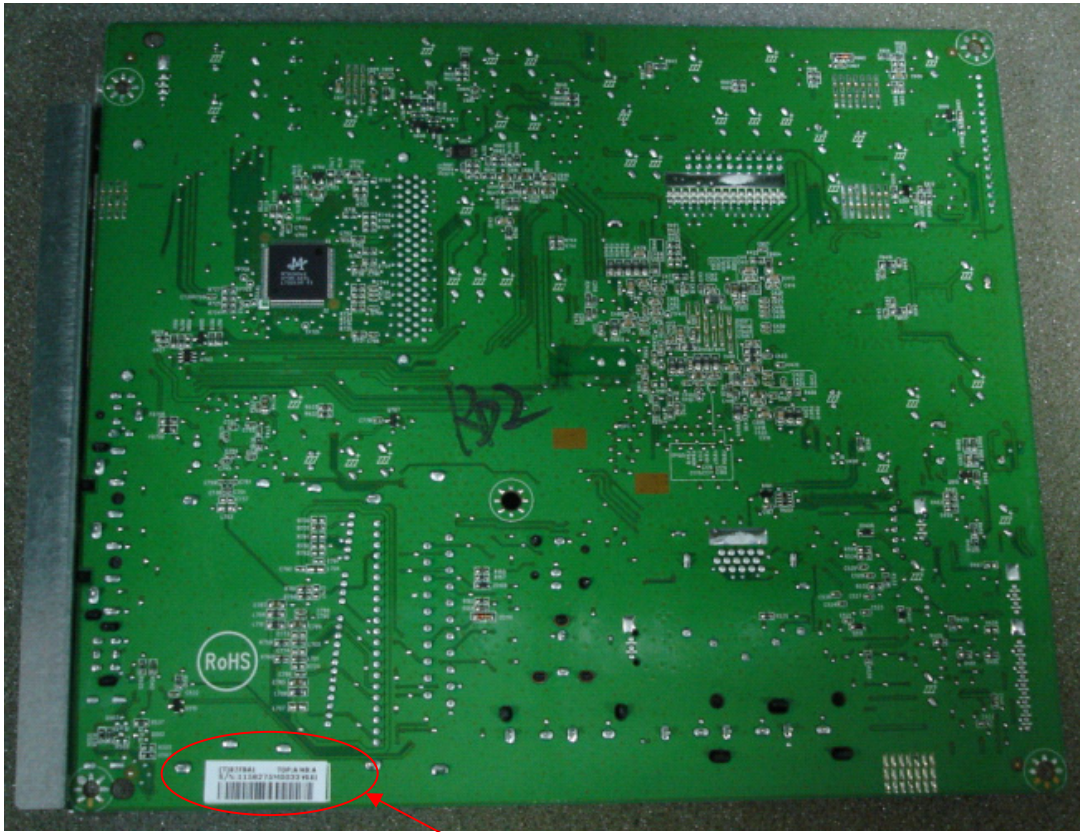
| Critical Components | | | | | | 19PFL3403D/10 | | 22PFL3403D/10 |
|---------------------|--------------|-------------|-----------------------------|--|------------|---------------|-----|---------------|
| Location | Philips 12NC | PCM Codes | Description | Function | Remark | CMO | LGD | CMO |
| U906 | 996510015141 | 056T 563 25 | AIC1084-33PE | DC power convert | | √ | | |
| U906 | 996510015241 | 056T 563 75 | G1084-33T43UF TO-252 | DC power convert | 2nd source | √ | | |
| U906 | 996510020127 | 056G 563 75 | G1084-33T43UF TO-252 | DC power convert | 3rd source | | √ | |
| U906 | 996510015241 | 056T 563 75 | G1084-33T43UF | DC power convert | | | | √ |
| U402 | 996510015148 | 056T 615 71 | IC HY5DU121622DTP-D43 512Mb | DDR SDRAM | | √ | | √ |
| U402 | 996510020064 | 056G 615 71 | IC HY5DU121622DTP-D43 512Mb | DDR SDRAM | 3rd source | | √ | |
| U601 | 996510011504 | 056T 616913 | IC TDA8932BTW HTSSOP32 | A high efficiency Class-D amplifier | | √ | √ | √ |
| U502 | 996510012277 | 056T 634902 | IC TMDS251PAGR TQFP-64 | Allows up to 2 HDMI ports to be switched to a single display terminal. | | √ | √ | √ |
| U704 | 996510015150 | 056T 647 25 | IC MT5133AN QFN-48 | Channel demodulator for DVB-T receiver | | √ | √ | √ |
| FQ405 | 996510017309 | 705TQ856007 | U406 ASS'Y | Option for CEC stand by function | | √ | √ | √ |
| U401 | 996510015152 | 056T1126 37 | IC MT5335PGU LQFP-256 | Scalar IC | | √ | √ | √ |
| U702 | 996510015153 | 056T1126 40 | IC MT8295AE LQFP-128 | Common interface controller | | √ | √ | √ |
| U501 | 996500042746 | 056T1133913 | IC M24C02-WDW6P TSSOP8 | DDC For HDMI 1 | | √ | | √ |
| U507 | 996500042746 | 056T1133913 | IC M24C02-WDW6P TSSOP8 | DDC For HDMI 2 | | √ | | √ |

| | | | | | | | | |
|-------|--------------|----------------|---------------------------|---|------------|---|---|---|
| U105 | 996500042746 | 056T1133913 | IC M24C02-WDW6P TSSOP8 | DDC For D-SUB | | √ | | √ |
| IC901 | 996510013293 | 056T 379107 | IC LD7575A PS SOP-8 | A current-mode PWM controller | | √ | | √ |
| IC901 | 996510018158 | 056G 379107 | IC LD7575A PS SOP-8 | A current-mode PWM controller | 3rd source | √ | √ | |
| IC801 | 996500036059 | 056G 608 10 | 0Z9938 | Converts unregulated DC voltages into a nearly sinusoidal lamp voltage and current waveforms. | | √ | √ | √ |
| PT801 | 996510015224 | 080GL20T 33 DN | X'FMR 99.3uH TK.2018R.101 | Inverter transformer | | √ | √ | √ |
| Q805 | 996510007251 | 057G 600 61 | AM4502C-TI-PF S0-8 | Inverter MOSFET | | √ | √ | √ |
| Q806 | 996510007251 | 057G 600 61 | AM4502C-TI-PF S0-8 | Inverter MOSFET | | √ | √ | √ |

Remark:

1. How to find Main Board part number?

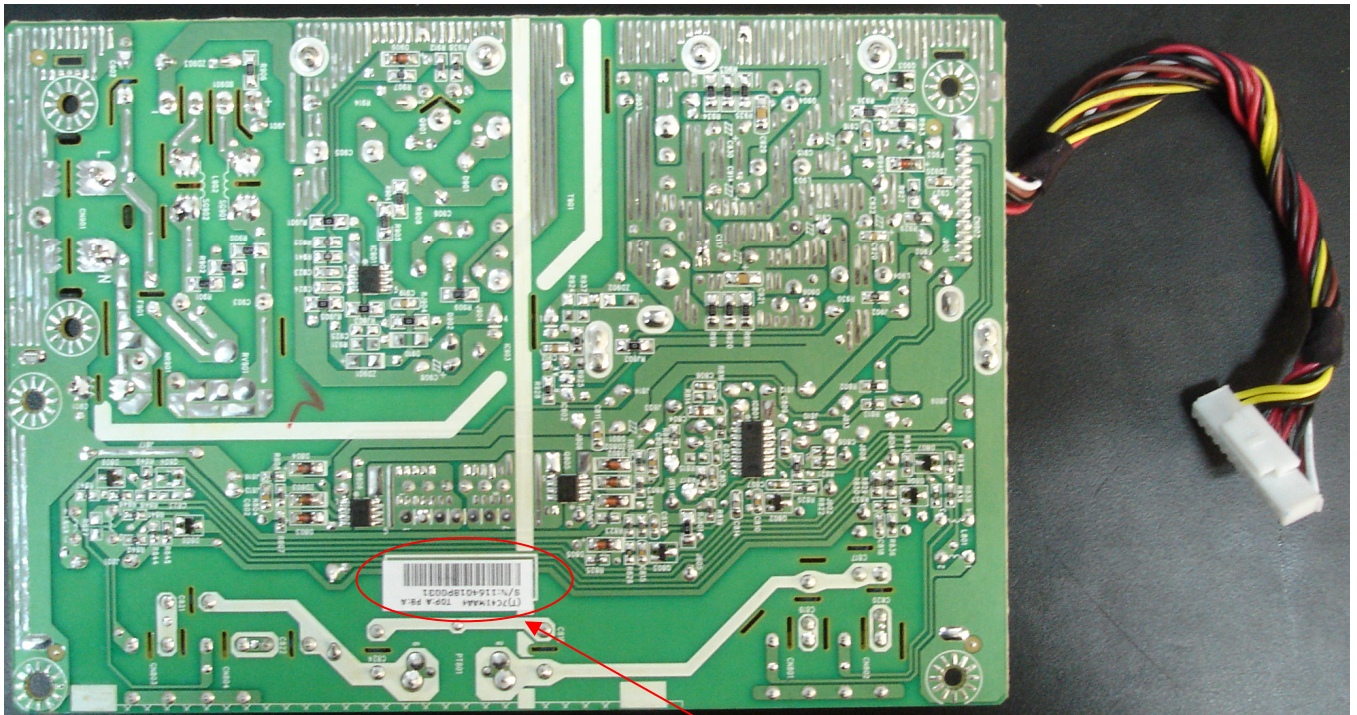
19PFL3403D/10; 22PFL3403D/10



Main Board P/N

2. How to find Power Board part number?

19PFL3403D/10; 22PFL3403D/10



Power Board P/N