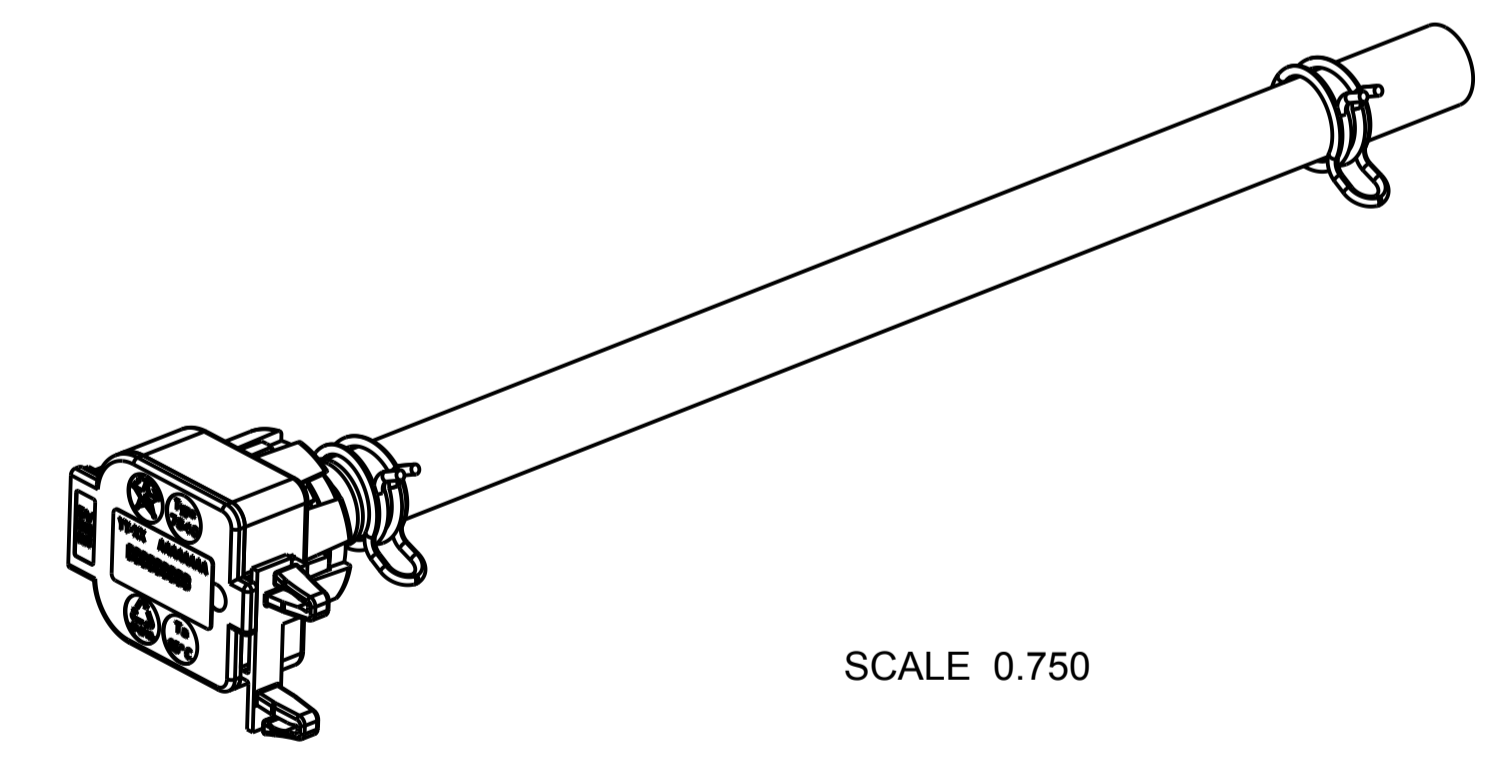
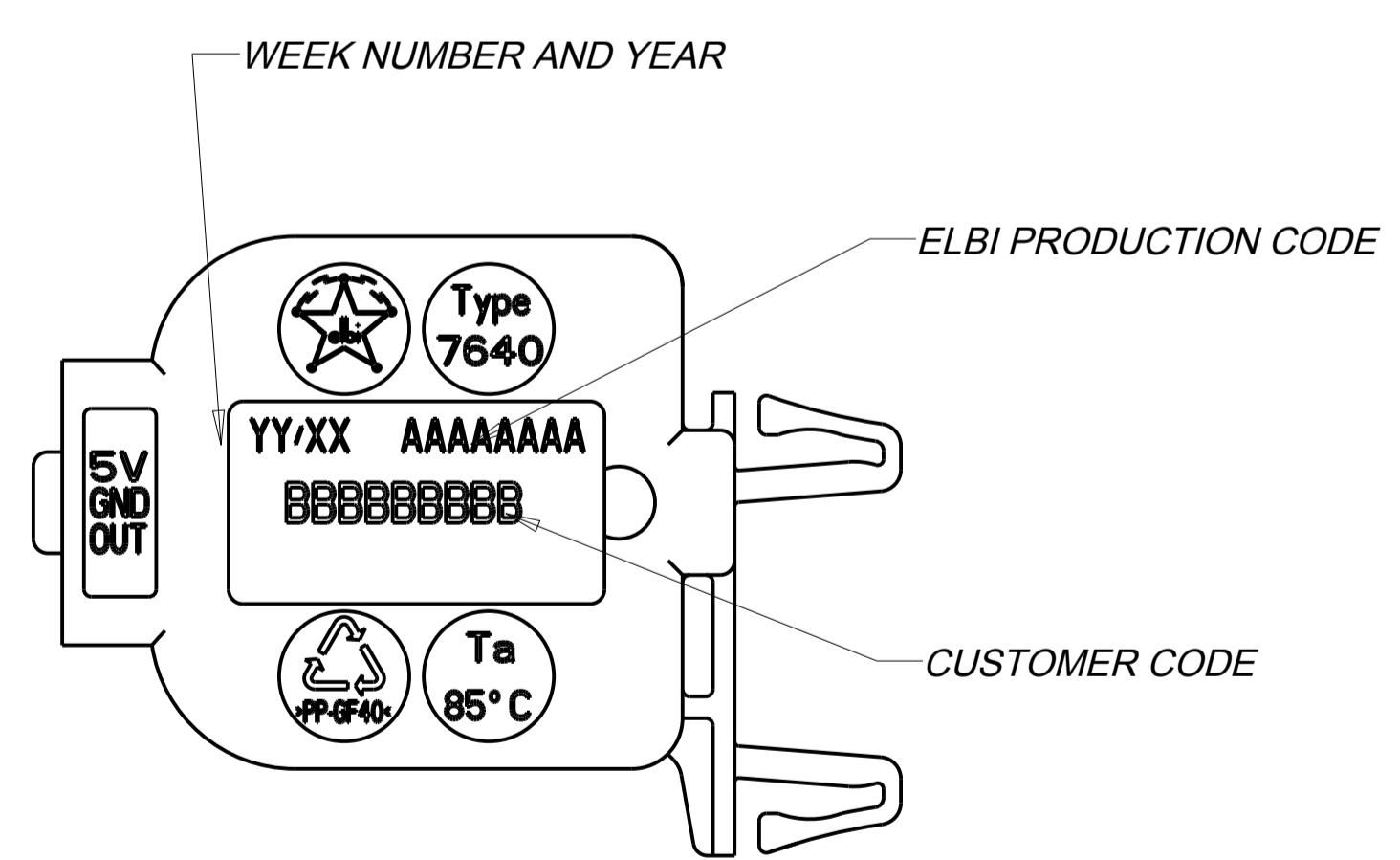
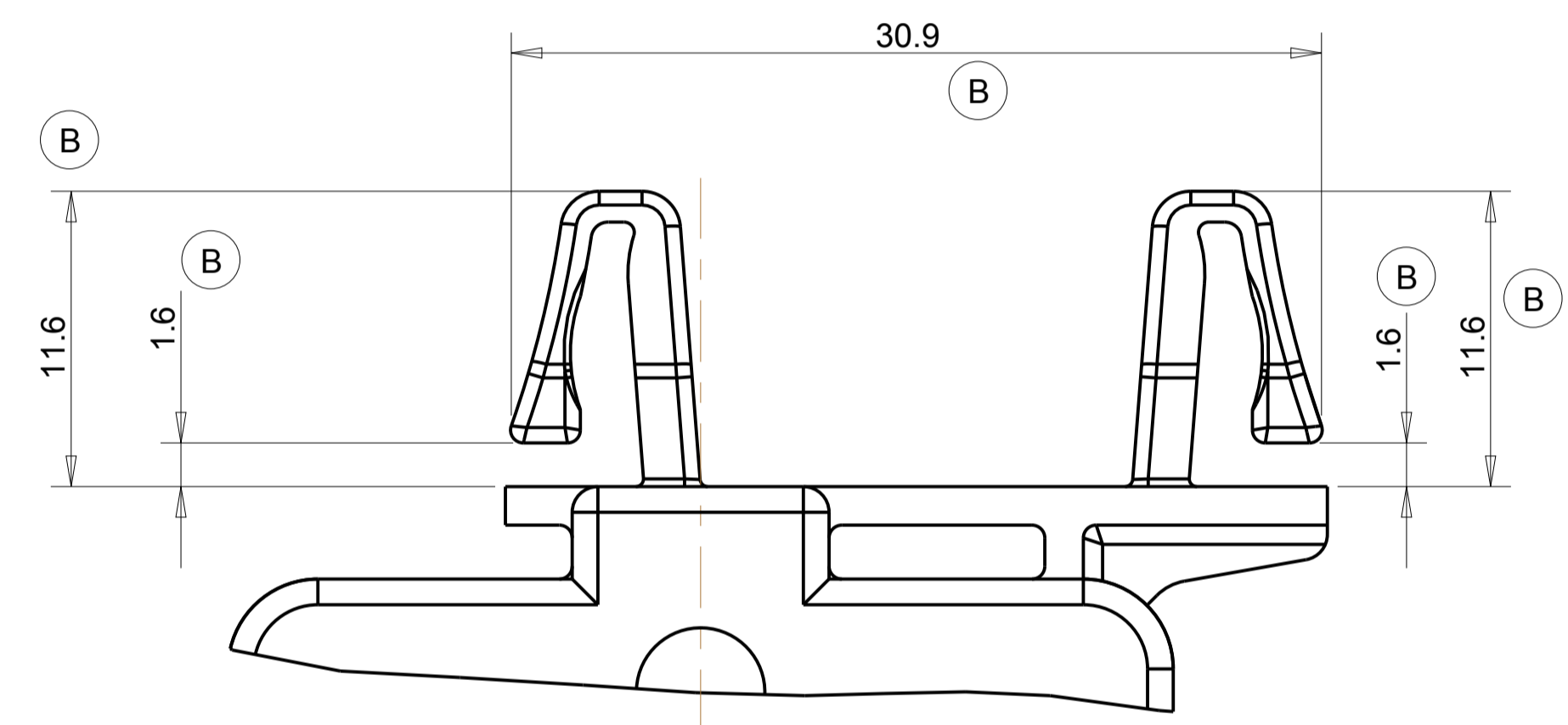
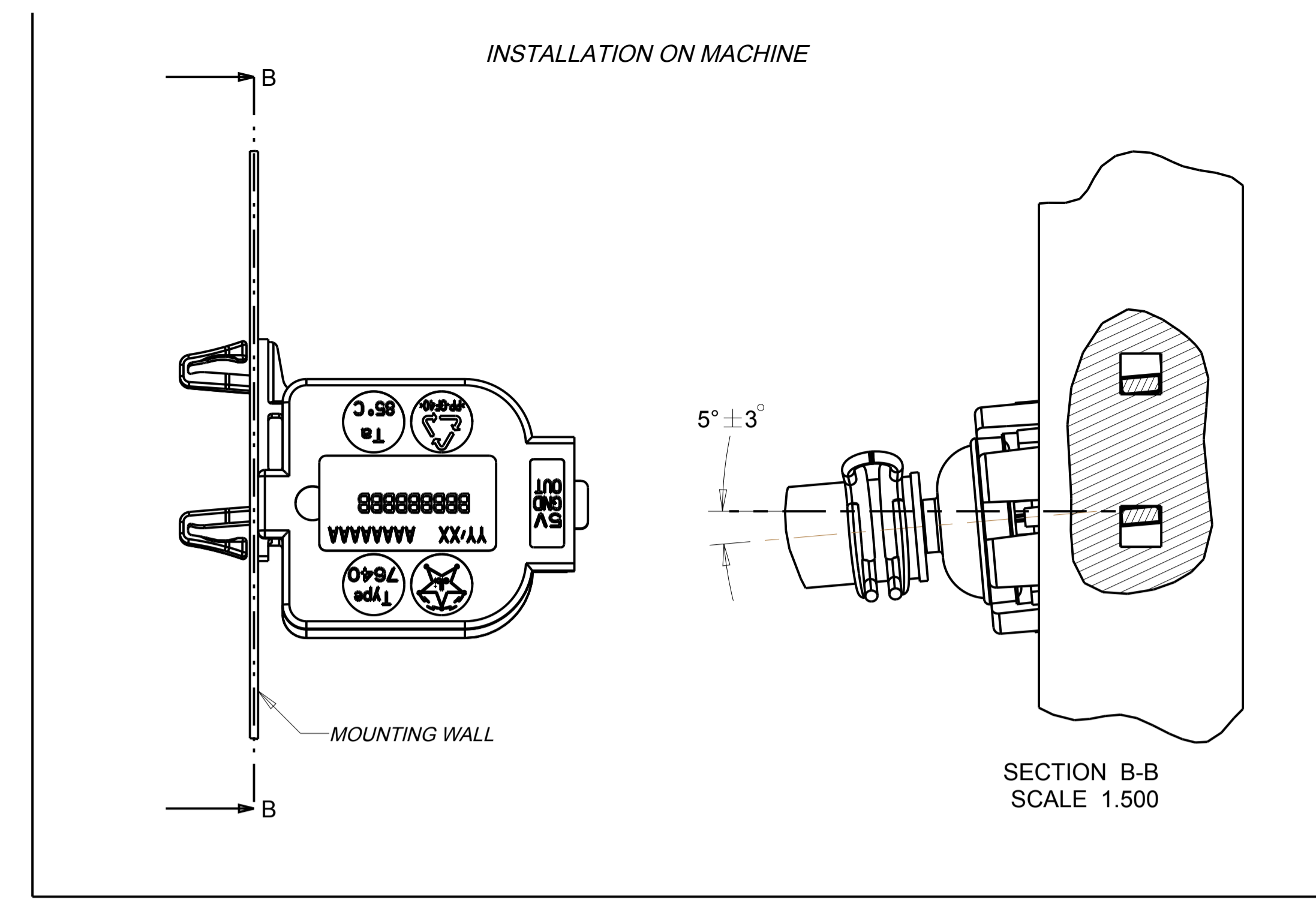
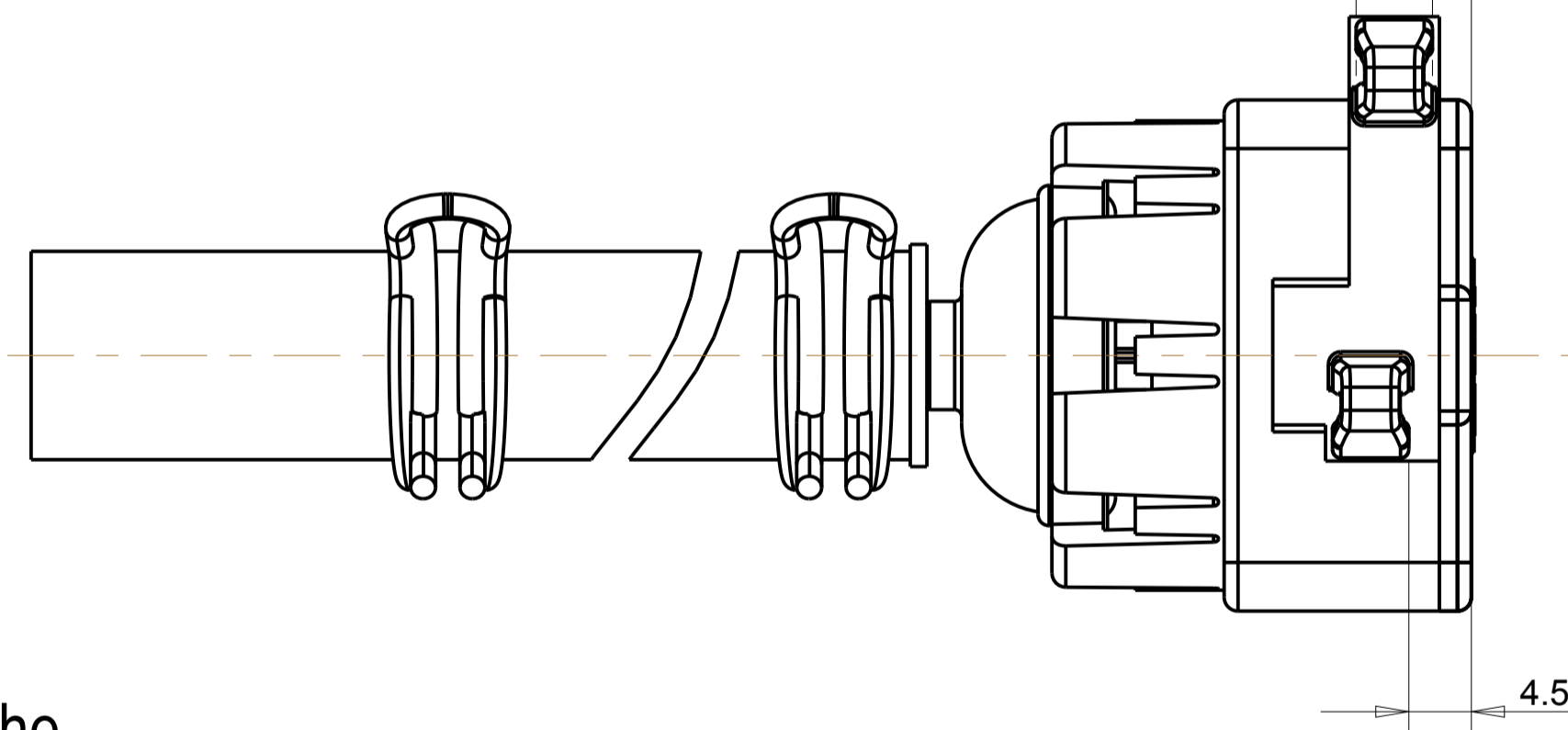
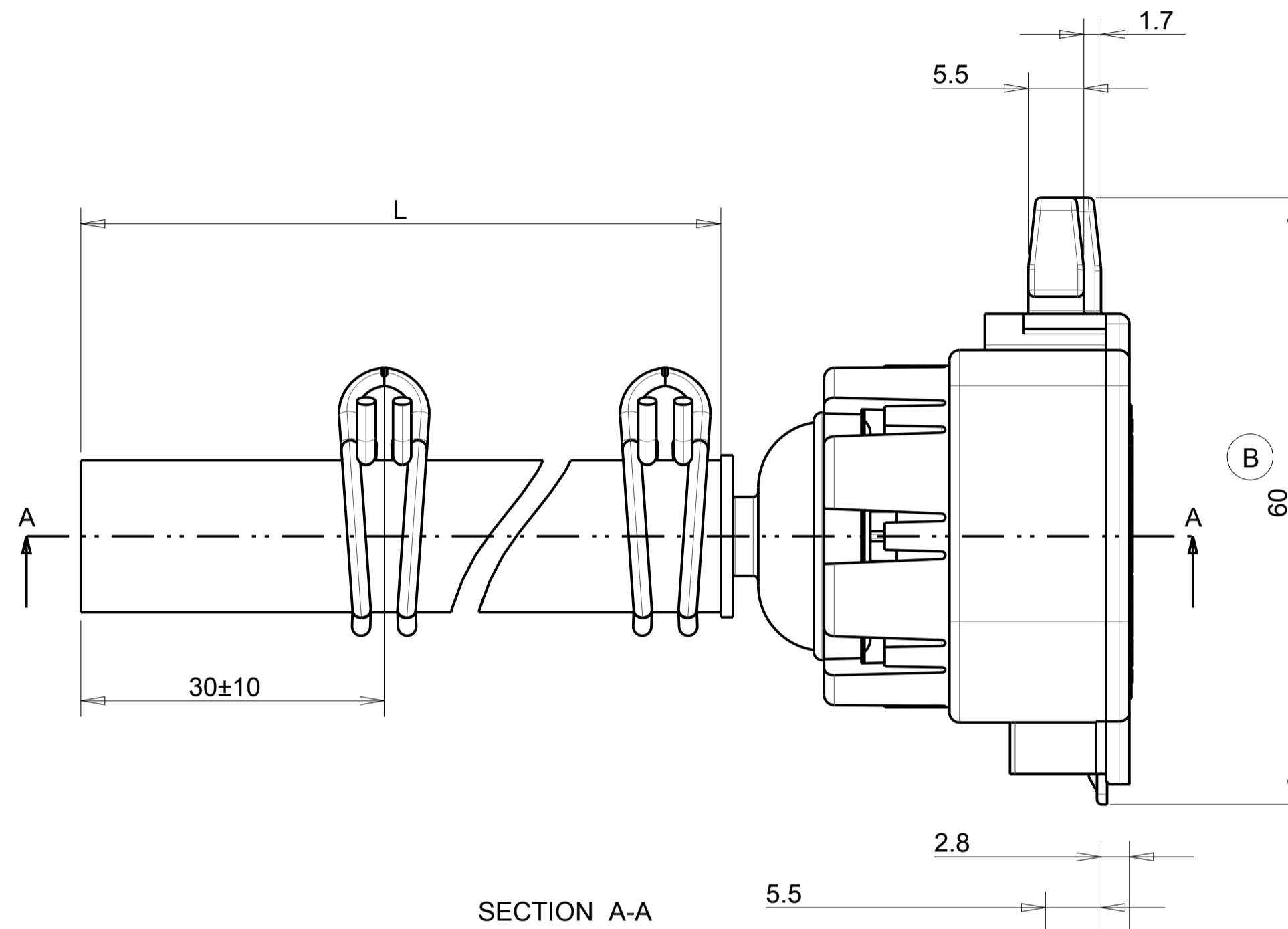
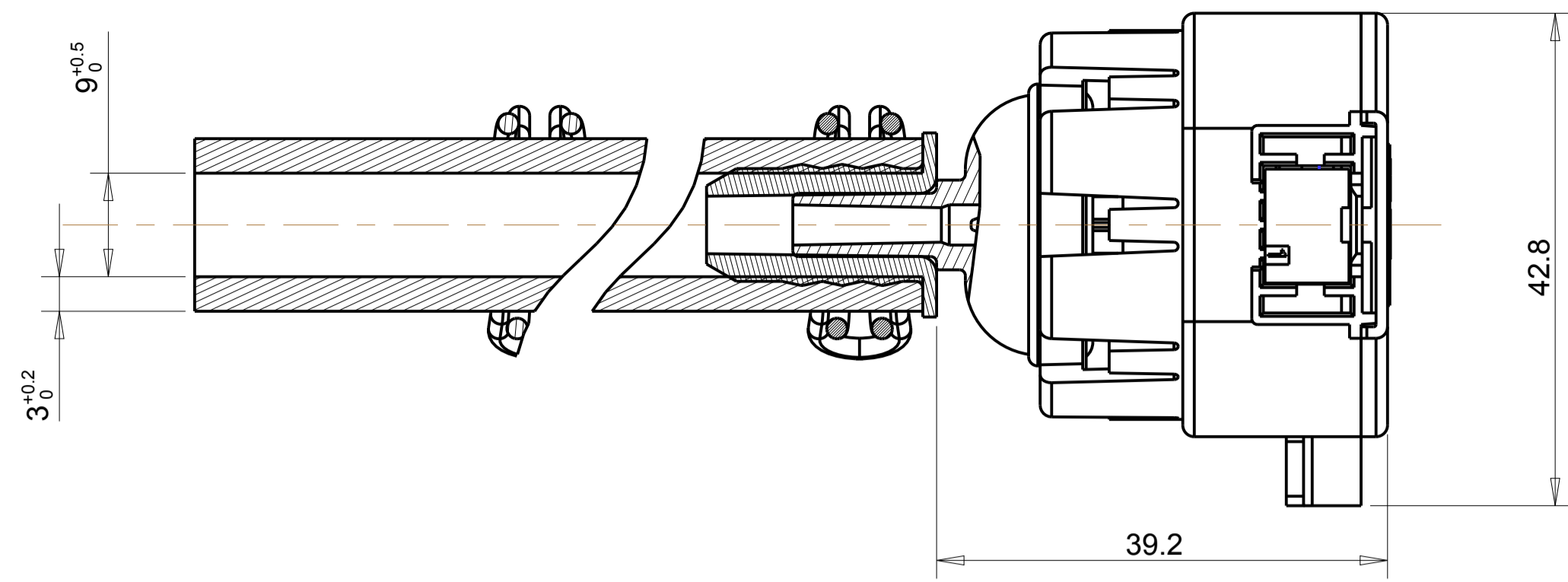
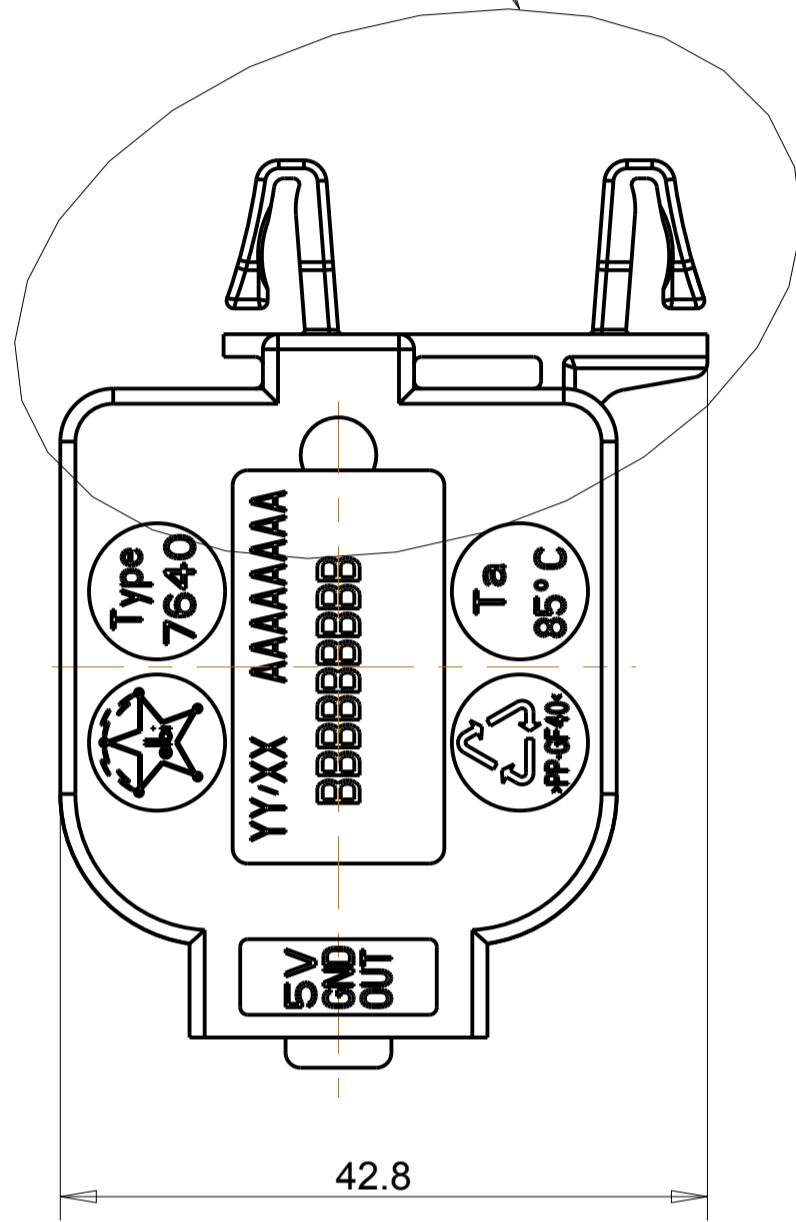
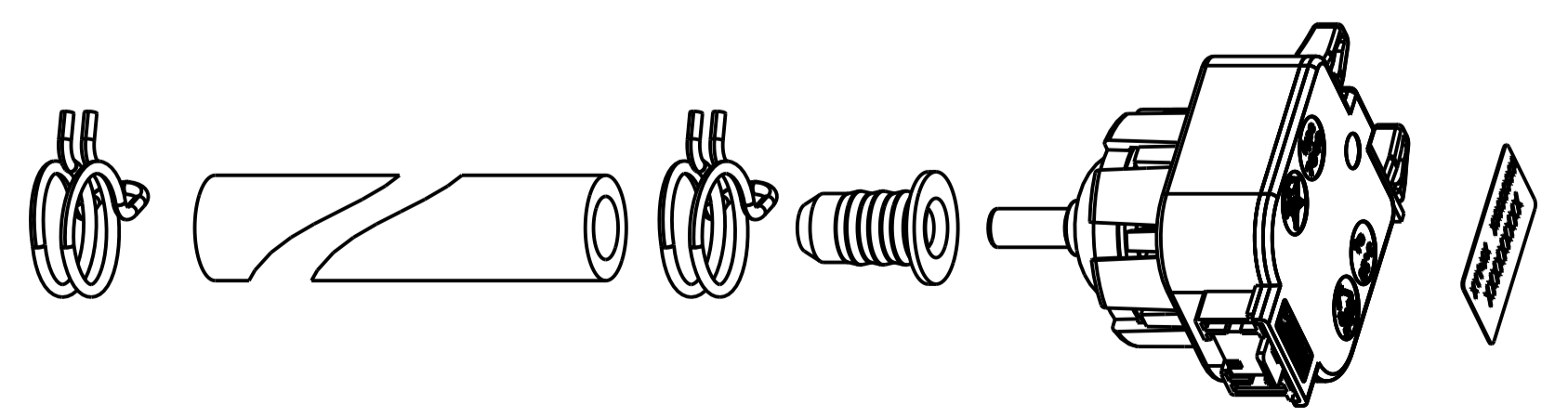


SEE DETAIL A

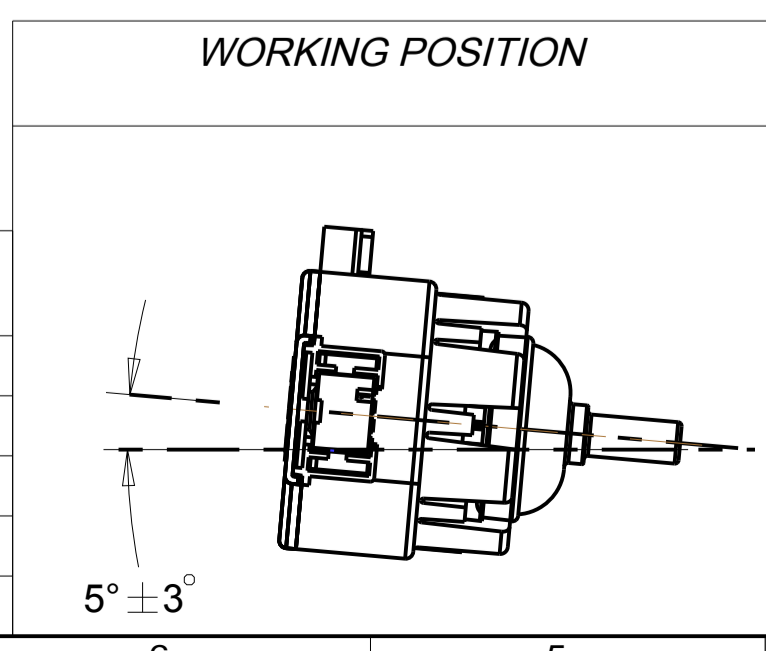


NOTE 1:
 Drawing view in H11 and H12 defines:
 - how the two pipe clamps need to have the same angular position and same correct orientation
 - the correct angular positioning of APS with respect to pipe clamps.

EXPLODED VIEW



Pressure	Frequency	Tolerance @ 20°C	
mm H2O	Hz	mm H2O	Hz
0	44.300	± 3	± 0.085
75	42.160	± 3	± 0.085
150	40.000	± 6	± 0.170
225	37.770	± 9	± 0.256



ELBI production code	IGE	Customer code	L	Colour
30020274	02	117.474.521	190 ^(A)	GRAY
30020275	01	117.474.522	265 ^(B)	GRAY
30020285	03	117.474.524	235 ^(C)	TRANSPARENT

D	EL06259	04	27-03-14	MODIFIED CUSTOMER CODE FOR 30020285, now is 117.474.524 (WAS 117.474.523)	BECCHO	RAVEDATI
C	EL05858	03	27-05-13	MODIFIED PIPE LENGTH FOR 30020285 (WAS 245mm)	BECCHO	RAVEDATI
B	EL05622	02	26-05-12	MODIFIED APS CLIPPING HOOKS GEOMETRY, UPDATED DIMENSIONS (IN DETAIL "A"). CHANGED CUSTOMER CODES; ADDED REQUIREMENTS ON NOTE 1 FOR CLAMPS ORIENTATION	BECCHO	RAVEDATI
TOLLERANZE GEOMETRICHE: CARATTERISTICHE DI CONTROLLO E... TO: SECONDO NORMA TECNICA ELBIFITRON 03.00.00						
GEOMETRIC TOLERANCE, CONTROL AND PRODUCT CHARACTERISTICS SPEC... ACCORDING TO ELBIFITRON TECHNICAL SPECIFICATION: 03.00.00						
UP TO 3.0 TO 125 >3 TO 6.0 TO 15 >4 TO 18.0 TO 18 >5 TO 18.0 TO 215 >6 TO 30.0 TO 26 >7 TO 50.0 TO 51 >8 TO 80.0 TO 37 >9 TO 100.0 TO 438 >10 TO 180.0 TO 5 >110 TO 250.0 TO 575 >120 TO 315.0 TO 66 >130 TO 315.0 TO 66 >140 TO 315.0 TO 66						
IN CASO CONTRARIO NON SONO RESPONSABILI PER... DIMENSIONI, LUNGHEZZE E DIAMETRI (mm) SEC. UNI EN 20288 IT 14						
DIMENSIONS, LENGTH AND DIAMETERS (mm) ACC. UNI EN 20288 IT 14						
STAMPING VELOCITÀ: 2.000						
MATERIALE E CODICE GREZZO / MATERIAL AND MATERIAL CODE						
APPLICAZIONE / APPLICATION: DIVA 2						
DISEGNATO / DRAWN: BECCHO						
VISTO / APPROVED: RAVEDATI						
SOSTITUISCE IL / REPLACES: S16175						
ARCHIVIO O N° DISEGNO/ARCHIVE OR DRAWING N°						
DENOMINAZIONE / DESCRIPTION: PRESSURE SENSOR ASSEMBLY						
IDENTIFICATIVO / PART N.: SEE TABLE						
04						