

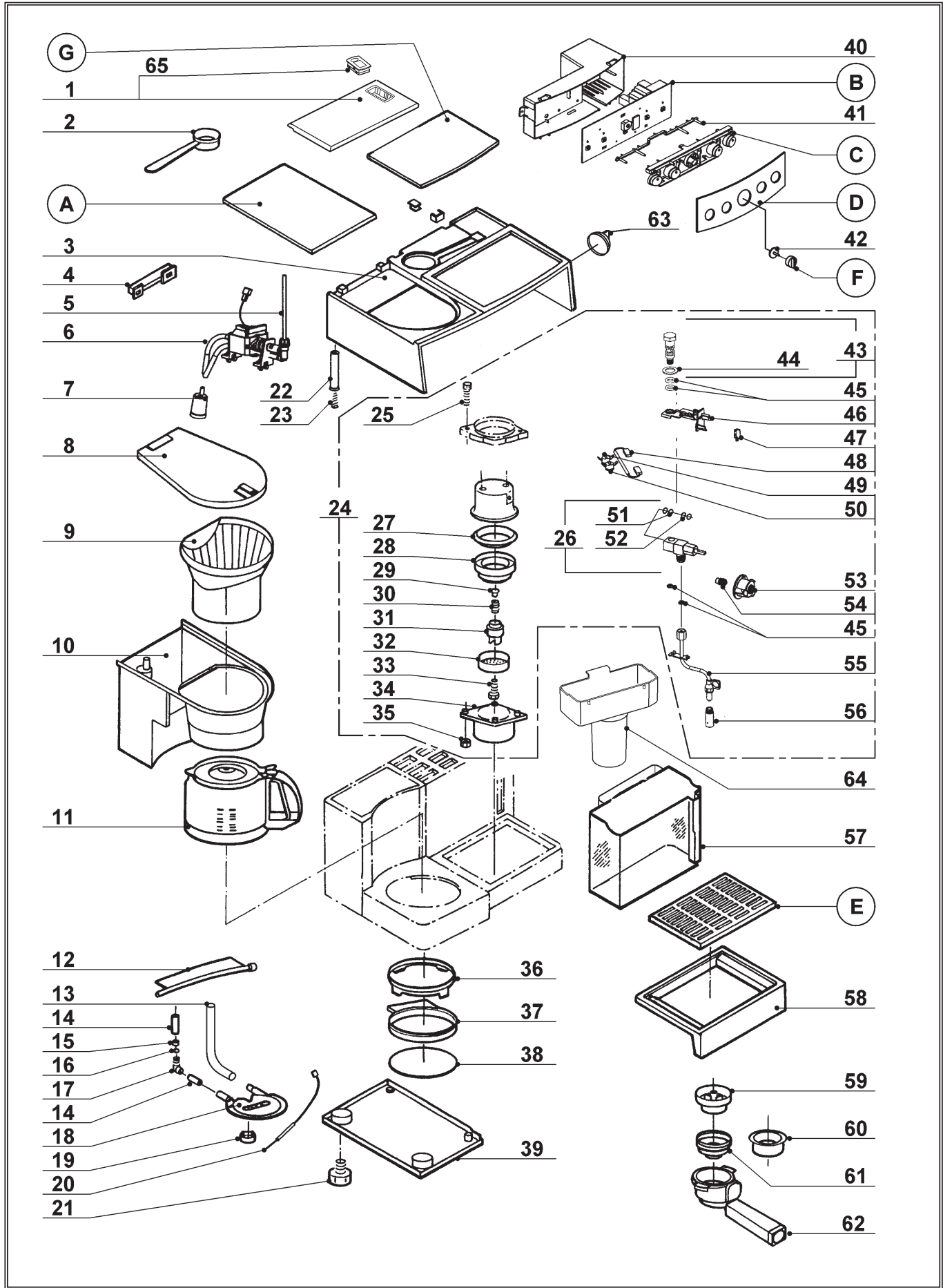
magimix®

EXPRESSO  
FILTRE AUTO

Sommaire / Summary



Ligne Café / Coffee





## EXPRESSO FILTRE AUTO

11187 - 11188  
11216 - 11217

| <i>Index</i> | <i>Pièce / Part</i> | <i>Désignation</i>               | <i>Description</i>              |
|--------------|---------------------|----------------------------------|---------------------------------|
| 1            | 504 325             | COUVERCLE EXPRESSO               | / FILTER LID                    |
| 2            | 502 243             | CUILLERE MESURE                  | / MEASURING SPOON               |
| 3            | 503 840             | CAPOT ARRIERE                    | / BEHIND TOP CASE               |
| 4            | 503 030             | DIFFUSEUR VAPEUR                 | / STEAM KNOB                    |
| 5            | 503 783             | TUYAU EAU CHAUDE                 | / HOT WATER TUBE                |
| 6            | 502 204             | TUYAU 5/8                        | / TUYAU 5/8                     |
| 7            | 502 213             | FILTRE ASPIRATION                | / SUNCTION FILTRE               |
| 8            | 503 031             | DOUCHETTE                        | / JUG COVER                     |
| 9            | 503 032             | SUPPORT FILTRE                   | / FILTER SUPPORT                |
| 10           | 503 033             | RESERVOIR FILTRE                 | / FILTER WATER TANK             |
| 11           | 503 034             | VERSEUSE                         | / JUG                           |
| 12           | 503 049             | PROTECTION ISOLANT               | / ISNSULATING PROTECTION        |
| 13           | 503 468             | TUBE SILICONE 27X8               | / SILICONE TUBE 27X8            |
| 14           | 503 050             | TUBE SILICONE                    | / SILICONE TUBE                 |
| 15           | 503 051             | VALVE ANTI RETOUR                | / NO RETURN VALVE               |
| 16           | 503 052             | BILLE VALVE ANTI RETOUR          | / BALL FOR NO RETURN VALVE      |
| 17           | 503 053             | COUDE ENTREE EAU                 | / ANGLE PIECE WATER ENTRANCE    |
| 18           | 503 055             | RESISTANCE                       | / RESISTANCE                    |
| 19           | 503 054             | THERMOSTAT CERAMIQUE 150°        | / THERMOSTAT 150°               |
| 20           | 503 226             | THERMO FUSIBLE RESISTANCE FILTRE | / FILTER THERMO FUSE RESISTANCE |
| 21           | 101 939             | PIED                             | / FOOT                          |
| 22           | 502 257             | ENTRETOISE                       | / BRACE                         |
| 23           | 502 249             | VIS FIXATION CAPOT               | / TOP FIXING SCREW              |
| 24           | 503 777             | CORPS DE CHAUFFE COMPLET         | / COMPLETE HEATING ELEMENT      |
| 25           | 502 236             | VIS DE FIXATION CHAUDIERE        | / HEATING ASSEMBLY SCREW        |
| 26           | 503 772             | ROBINET VAPEUR                   | / TAP STEAM                     |
| 27           | 502 220             | JOINT CORPS DE CHAUFFE           | / HEATING ASSEMBLYSEAL          |
| 28           | 502 227             | JOINT PORTE FILTRE               | / FILTER SUPPORT SEAL           |
| 29           | 502 226             | BOUTON SOUPAPE                   | / VALVE KNOB                    |
| 30           | 502 225             | RESSORT SOUPAPE                  | / VALVE SPRING                  |
| 31           | 502 224             | SUPPORT SOUPAPE                  | / VALVE SUPPORT                 |
| 32           | 502 222             | PASSOIRE                         | / STAINER                       |
| 33           | 502 223             | VIS DE FIXATION                  | / SCREW TUBE                    |
| 34           | 502 221             | SUPPORT PORTE FILTRE             | / FILTER SUPPORT                |
| 35           | 502 237             | ECROU FIXATION CHAUDIERE         | / HEATING ASSEMBLY NUT          |
| 36           | 503 045             | ANNEAU METAL                     | / RING METAL                    |
| 37           | 503 046             | JONCTION ANNEAU METAL            | / RUNG METAL JUNCTION           |
| 38           | 503 047             | PLATEAU VERSEUSE                 | / JUG PLATE                     |
| 39           | 503 048             | SOCLE                            | / BASE                          |
| 40           | 503 841             | SUPPORT PLATINE                  | / SWITCH SUPPORT                |
| 41           | 503 842             | LAMPE BOUTONS                    | / KNOB LAMP                     |
| 42           | 503 843             | LAMPE VOLUME D'EAU               | / WATER VOLUME KNOB LAMP        |
| 43           | 503 766             | VIS TUBE                         | / SCREW TUBE                    |
| 44           | 503 767             | JOINT 14/9                       | / SEAL 14/9                     |
| 45           | 503 768             | JOINT TORIQUE 5,7/1,9            | / O RING 5,7/1,9                |
| 46           | 503 769             | SUPPORT SWITCH                   | / SWITCH SUPPORT                |
| 47           | 503 776             | MICRO SWITCH                     | / MICOR SWITCH                  |
| 48           | 503 765             | THERMO FUSIBLE                   | / THERMO FUSE                   |
| 49           | 503 764             | THERMOSTAT 95                    | / THERMOSTAT 95                 |
| 50           | 502 218             | THERMOSTAT 130                   | / THERMOSTAT 130                |
| 51           | 503 770             | JOINT TORIQUE 9/2                | / O RING 9/2                    |
| 52           | 503 771             | JOINT TORIQUE 5,28/1,78          | / O RING 5,28/1,78              |
| 53           | 503 773             | CAME ROBINET                     | / TAP CAM                       |
| 54           | 502 261             | ENTRETOISE BOUTON VAPEUR         | / STEAM KNOB BRACE              |
| 55           | 503 775             | TUBE VAPEUR                      | / STEAM TUBE                    |



## EXPRESSO FILTRE AUTO

11187 - 11188  
11216 - 11217

| Index                              | Pièce / Part | Désignation                   | / Description            |         |         |         |         |
|------------------------------------|--------------|-------------------------------|--------------------------|---------|---------|---------|---------|
| 56                                 | 504 012      | BUSE VAPEUR                   | / STEAMER EXTREMITY      |         |         |         |         |
| 57                                 | 504 322      | RESERVOIR FILTRE              | / FILTER WATERTANK       |         |         |         |         |
| 58                                 | 503 037      | BAC COLLECTEUR                | / COLLECTING TRAY        |         |         |         |         |
| 59                                 | 502 258      | TASSEUR                       | / TAMPER                 |         |         |         |         |
| 60                                 | 502 242      | FILTRE EXTRACREM 2 TASSES     | / EXTRACREM FILTER       |         |         |         |         |
| 61                                 | 503 781      | FILTRE EXTRA CREME 1 TASSE    | / 1 CUP EXTRACREM FILTER |         |         |         |         |
| 62                                 | 502 241      | PORTE FILTRE                  | / FILTER SUPPORT         |         |         |         |         |
| 63                                 | 503 762      | BOUTON VAPEUR                 | / STEAM KNOB             |         |         |         |         |
| 64                                 | 504 323      | RESERVOIR POUR FILTRE BRITA   | / BRITA FILTER WATERTANK |         |         |         |         |
| 65                                 | 504 324      | MEMO BRITA                    | / BRITA MEMORY           |         |         |         |         |
| <b>A</b>                           |              | COUVERCLE FILTRE PLAQUE METAL | / FILTER LID             |         |         |         |         |
| <b>B</b>                           |              | PLATINE                       | / CIRCUIT BOARD          |         |         |         |         |
| <b>C</b>                           |              | BOUTONS                       | / BUTTOM                 |         |         |         |         |
| <b>D</b>                           |              | FACADE                        | / FRONT PANEL            |         |         |         |         |
| <b>E</b>                           |              | GRILLE                        | / GRID                   |         |         |         |         |
| <b>F</b>                           |              | BOUTON VOLUME D'EAU           | / WATER VOLUME KNOB      |         |         |         |         |
| <b>G</b>                           |              | PLAQUE SUPERIEURE             | / TOP PLATE              |         |         |         |         |
| Machine                            | A            | B                             | C                        | D       | E       | F       | G       |
| Noir<br>11 187 / 11 216            | 503 834      | 501 583                       | 503 835                  | 503 837 | 503 036 | 503 806 | 503 029 |
| Chrome Brillant<br>11 188 / 11 217 | 503 831      | 501 583                       | 503 836                  | 503 838 | 504 022 | 503 784 | 504 021 |
| Chrome Mat<br>11 189               | 503 834      | 501 583                       | 503 836                  | 503 839 | 503 036 | 503 784 | 503 029 |